



US00D880101S

(12) **United States Design Patent** (10) **Patent No.:** **US D880,101 S**
Nelson et al. (45) **Date of Patent:** **** Mar. 31, 2020**

(54) **AUTOMATED TRANSACTION MACHINE**

(71) Applicant: **Wincor Nixdorf International GmbH**,
Paderborn (DE)

(72) Inventors: **Donald Nelson**, Akron, OH (US);
Sergio de Oliveira, Massillon, OH
(US); **Frank Bleck**, Paderborn (DE);
Gregor Pollmann, Paderborn (DE)

(73) Assignee: **Wincor Nixdorf International GMBH**,
Paderborn (DE)

(**) Term: **15 Years**

(21) Appl. No.: **29/669,165**

(22) Filed: **Nov. 6, 2018**

(51) **LOC (12) Cl.** **99-00**

(52) **U.S. Cl.**
USPC **D99/28**

(58) **Field of Classification Search**

USPC D99/28, 34, 35, 36, 43, 99;
D14/300-302, 305, 307, 900-902;
D18/3.1-3.3, 4.1-4.6, 12.1-12.3;
D21/324, 325, 329, 369, 370; 101/66;
109/1 R, 1 V, 2, 23, 24.1, 25, 58, 58.5,
109/66; 446/8-13; 705/16, 17, 18, 42,
705/43, 44, 45; 235/51, 379, 380, 381,
235/382, 383.5, 386; 206/0.8, 0.81,
206/0.815, 0.82, 0.84
CPC .. G06Q 20/10; G06Q 20/108; G06Q 20/1085;
G06Q 20/18; G07D 1/00; G07D 1/02;
G07D 1/04; G07D 1/06; G07D 11/00;
G07D 9/002; G07D 9/04; G07F 19/20;
G07F 19/201; G07F 19/202; G07F
19/203; G07F 19/204; G07F 19/105;
G07F 19/21; G07F 19/00; G07F 7/04;
G07F 5/00; G07F 1/00; E05G 7/001;
E05G 1/006; A63H 33/00; A63H 33/005

See application file for complete search history.

(56) **References Cited**

U.S. PATENT DOCUMENTS

D388,229 S * 12/1997 Couch D18/4.6
D389,522 S * 1/1998 Hesselbach D14/371
5,721,420 A * 2/1998 May G06K 13/08
235/379
D394,458 S * 5/1998 Watanabe D20/10
D401,973 S * 12/1998 Isshiki D20/10
D402,782 S * 12/1998 Johnson D99/28
D415,330 S * 10/1999 King D14/900

(Continued)

Primary Examiner — Elizabeth J Oswecki

(74) *Attorney, Agent, or Firm* — Black, McCuskey,
Souers & Arbaugh LPA

(57) **CLAIM**

The ornamental design for an automated transaction machine, as shown and described.

DESCRIPTION

FIG. 1 is a left, front perspective view of an automated transaction machine showing our new design.

FIG. 2 is a right, front perspective of an automated transaction machine of FIG. 1.

FIG. 3 is a front view of the automated transaction machine of FIG. 1.

FIG. 4 is a back view of the automated transaction machine of FIG. 1.

FIG. 5 is a left side view of the automated transaction machine of FIG. 1.

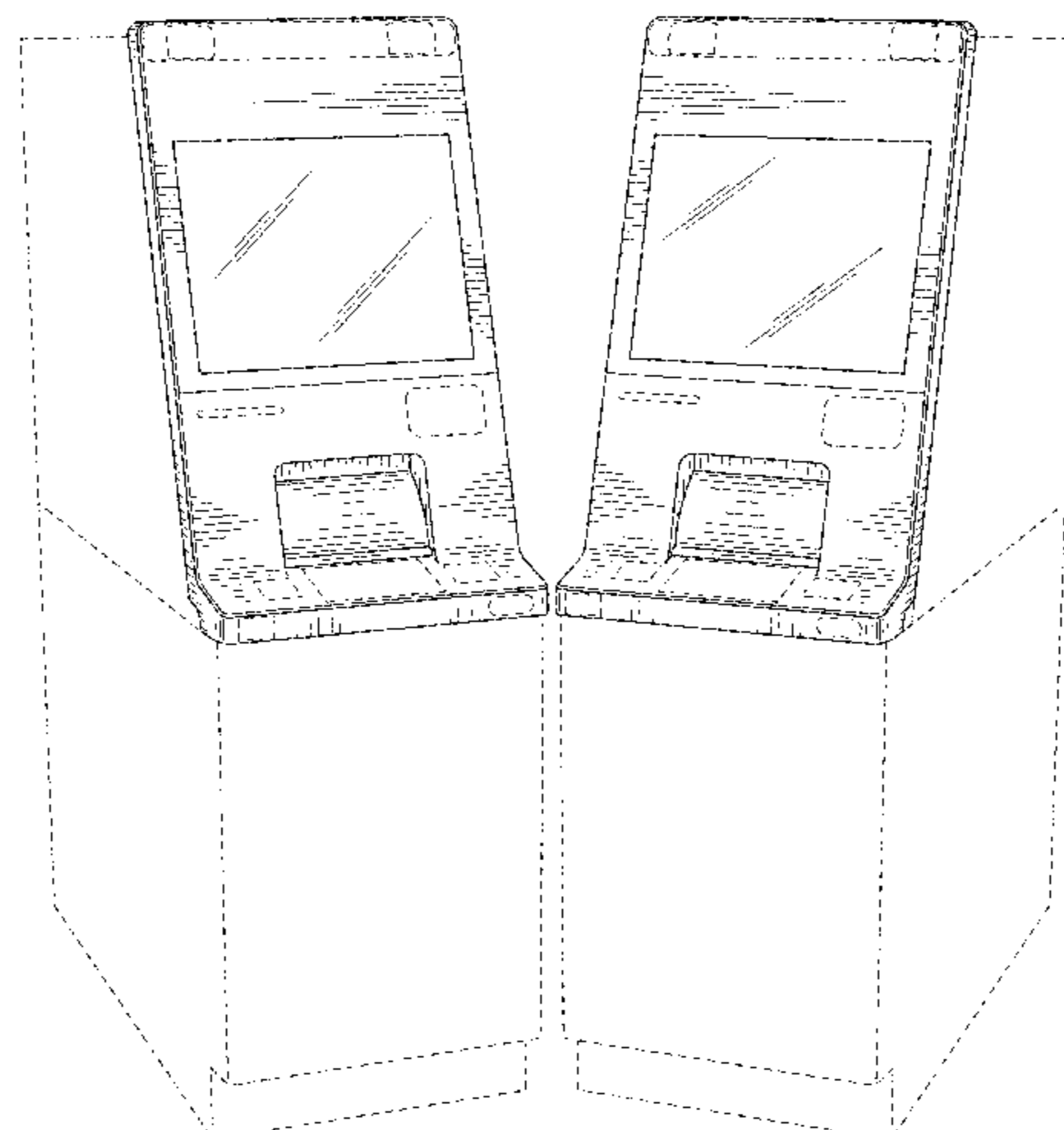
FIG. 6 is a right-side view of the automated transaction machine of FIG. 1; and,

FIG. 7 is a top view of the automated transaction machine of FIG. 1.

The bottom of the automated transaction machine is flat and devoid of ornamentation.

The broken lines shown in the drawings represent portions of the automated transaction machine that form no part of the claimed design.

1 Claim, 7 Drawing Sheets



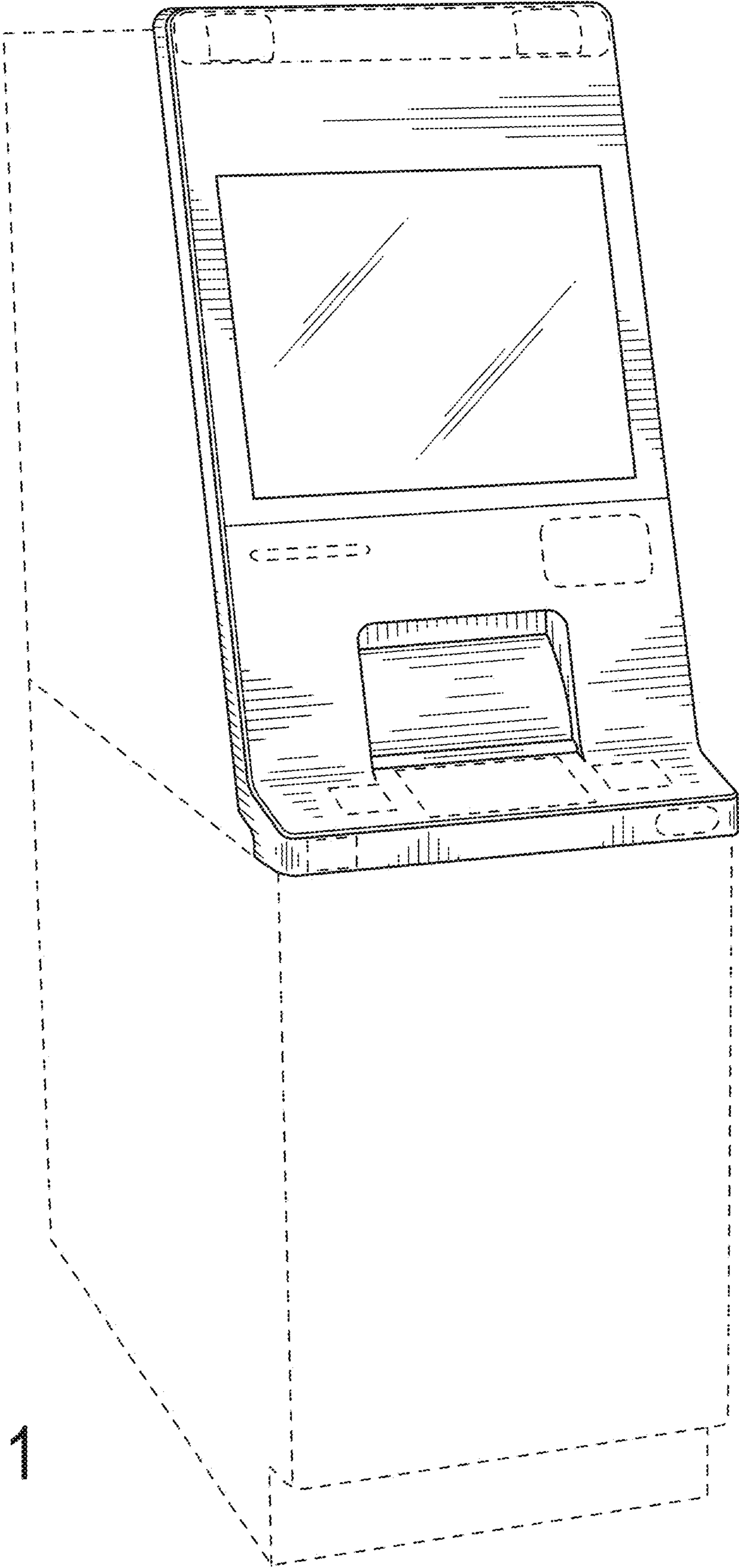


FIG. 1

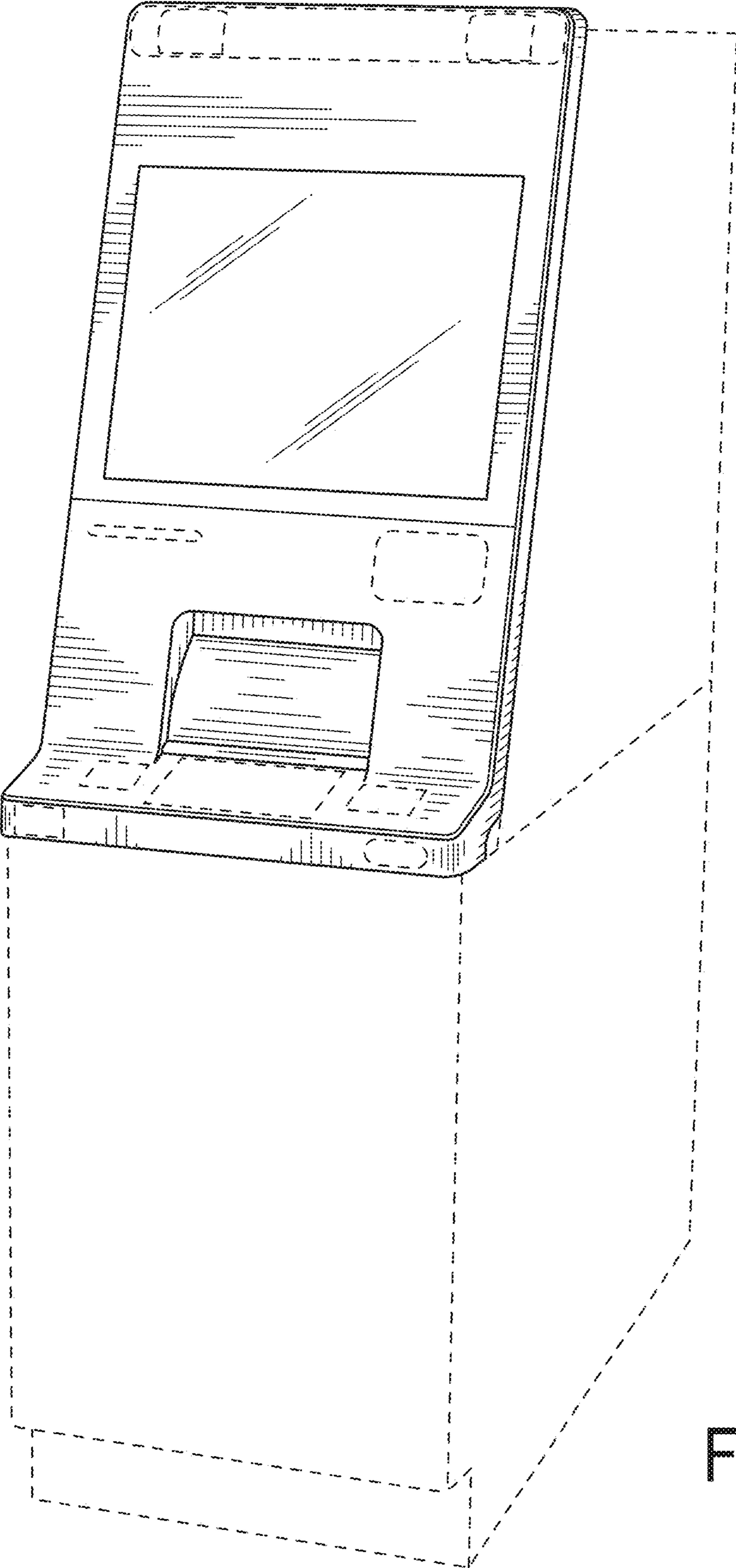


FIG. 2

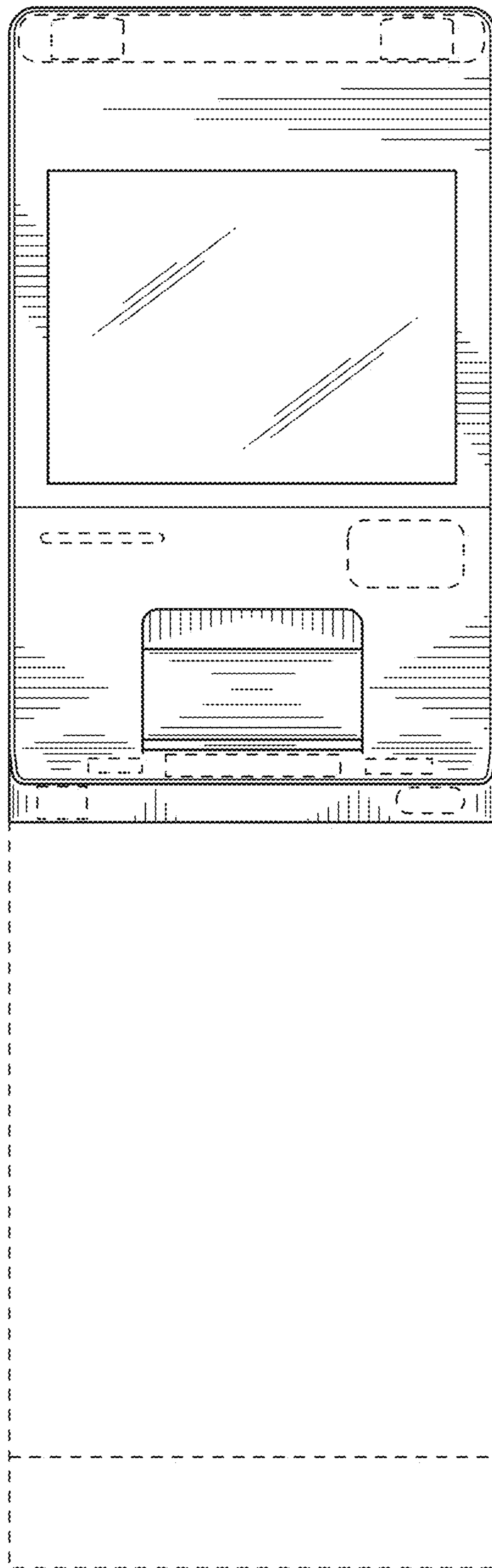


FIG. 3

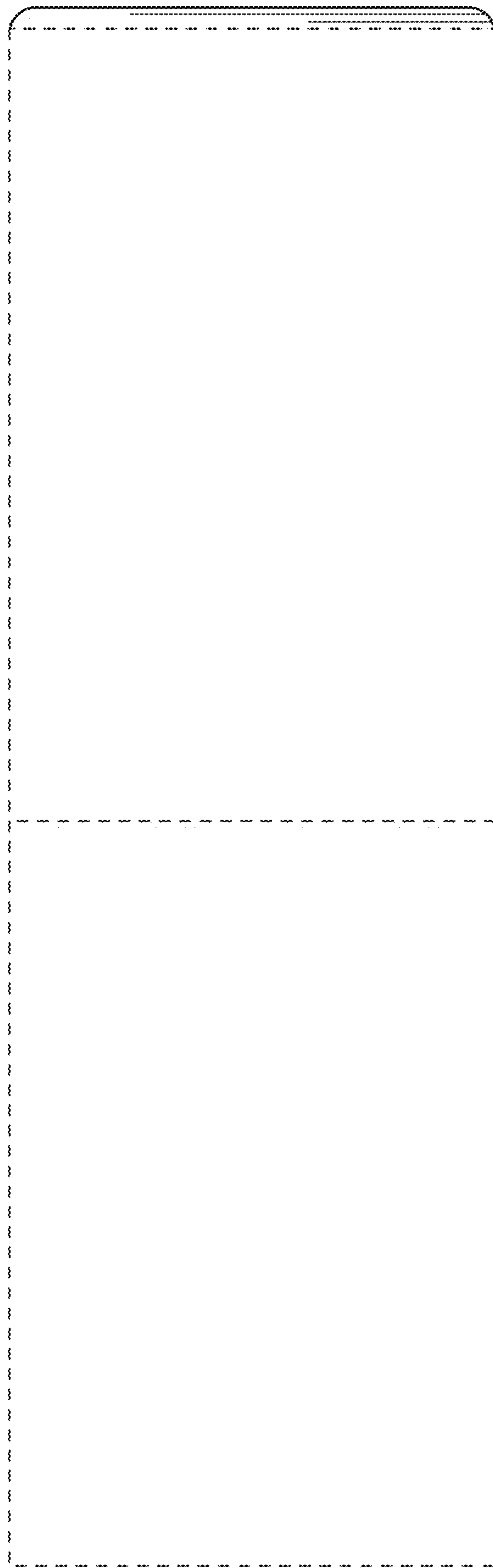


FIG. 4

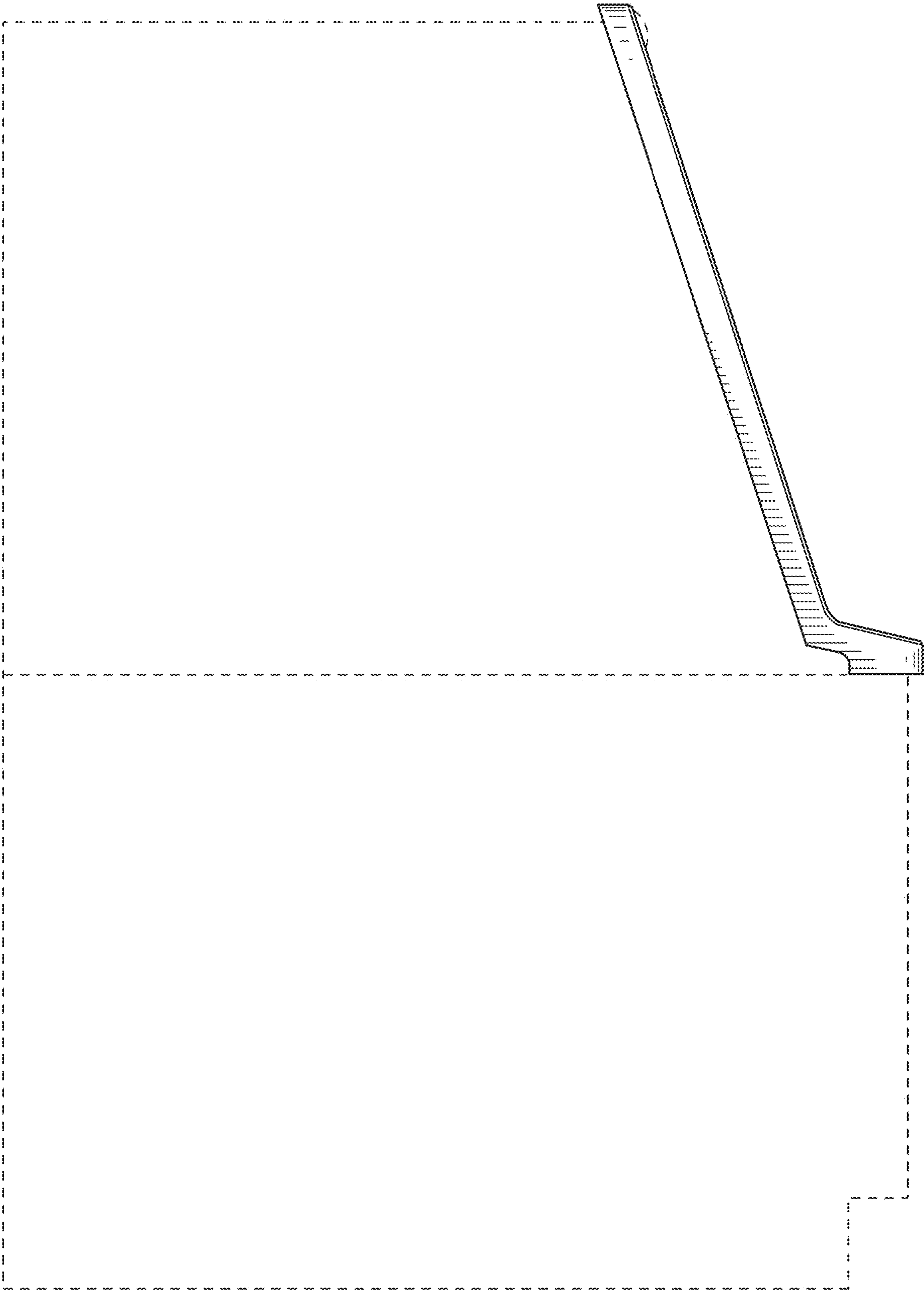


FIG. 5

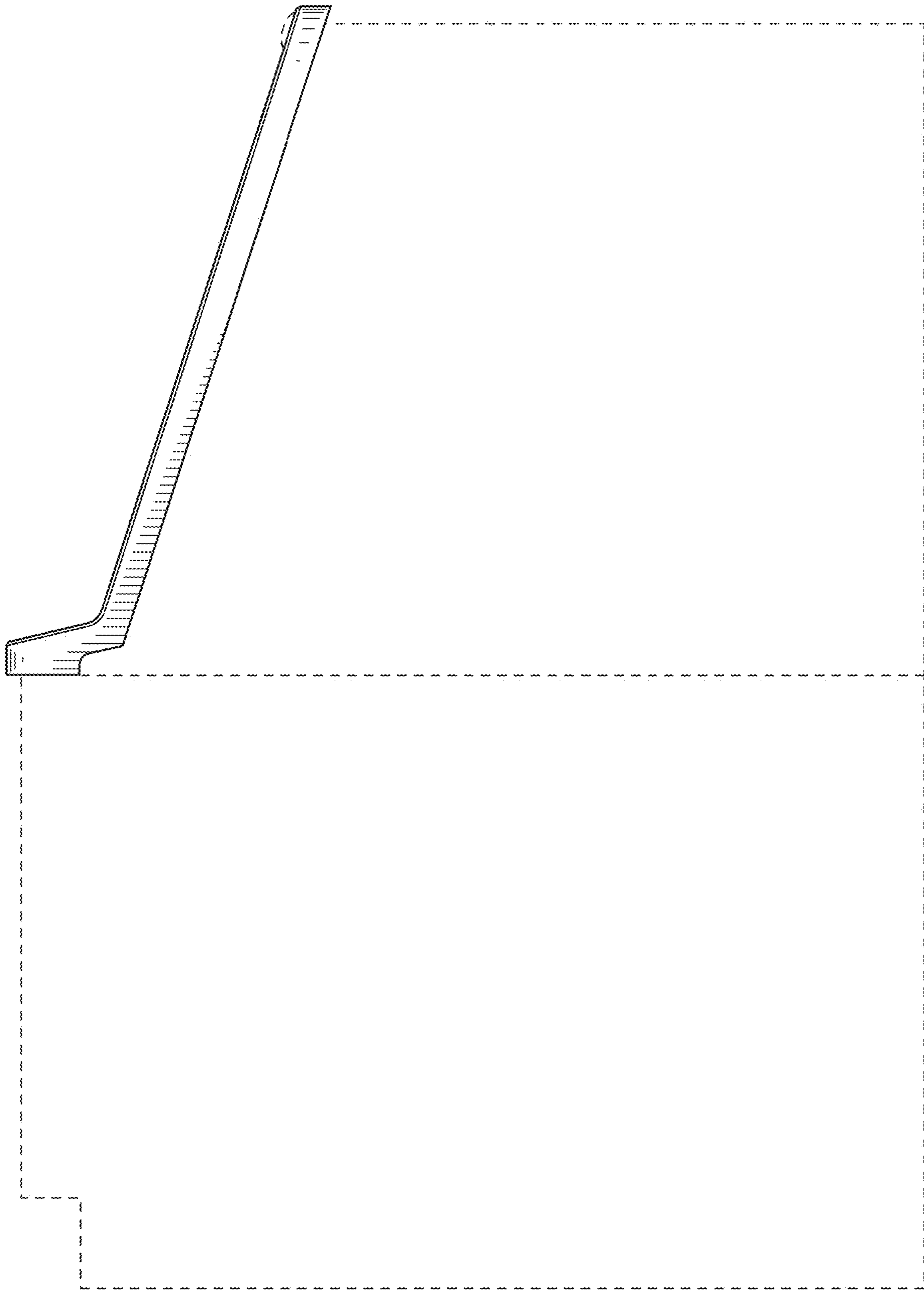


FIG. 6

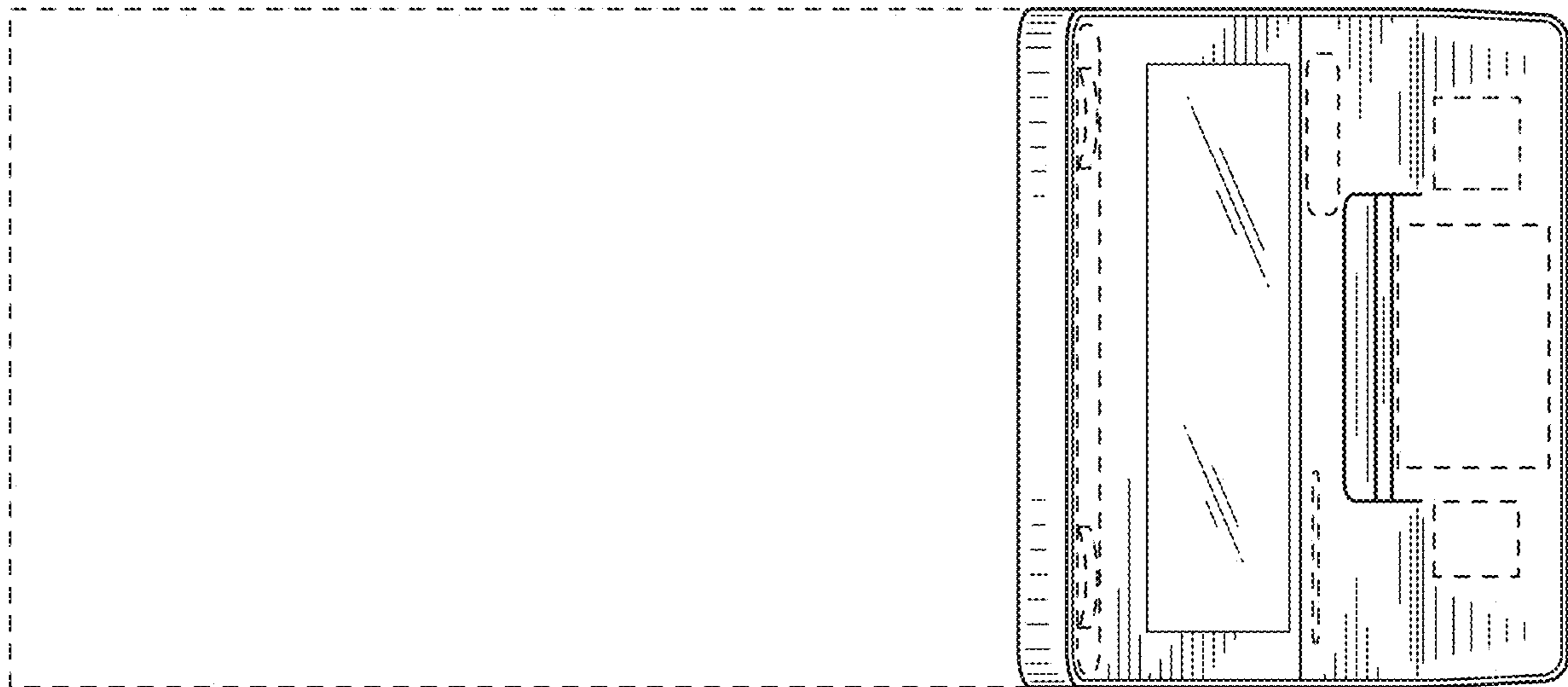


FIG. 7