



US00D880100S

(12) **United States Design Patent**  
**Nelson et al.**

(10) **Patent No.:** **US D880,100 S**  
(45) **Date of Patent:** **\*\* Mar. 31, 2020**

(54) **AUTOMATED TRANSACTION MACHINE**

G07F 5/00; G07F 1/00; E05G 7/001;  
E05G 1/006; A63H 33/00; A63H 33/005

See application file for complete search history.

(71) Applicant: **Wincor Nixdorf International GmbH**,  
Paderborn (DE)

(56) **References Cited**

(72) Inventors: **Donald Nelson**, Akron, OH (US);  
**Sergio de Oliveira**, Massillon, OH  
(US); **Frank Bleck**, Paderborn (DE);  
**Gregor Pollmann**, Paderborn (DE)

U.S. PATENT DOCUMENTS

D388,229	S	*	12/1997	Couch	.....	D18/4.6
D389,522	S	*	1/1998	Hesselbach	.....	D14/371
5,721,420	A	*	2/1998	May	.....	G06K 13/08 235/379
D394,458	S	*	5/1998	Watanabe	.....	D20/10
D401,973	S	*	12/1998	Isshiki	.....	D20/10
D402,782	S	*	12/1998	Johnson	.....	D99/28
D415,330	S	*	10/1999	King	.....	D14/900

(73) Assignee: **Wincor Nixdorf International GMBH**,  
Paderborn (DE)

(Continued)

(\*\*) Term: **15 Years**

*Primary Examiner* — Elizabeth J Oswecki

(21) Appl. No.: **29/669,164**

(74) *Attorney, Agent, or Firm* — Black, McCuskey,  
Souers & Arbaugh LPA

(22) Filed: **Nov. 6, 2018**

(51) **LOC (12) Cl.** ..... **99-00**

(57) **CLAIM**

(52) **U.S. Cl.**

The ornamental design for an automated transaction machine, as shown and described.

USPC ..... **D99/28**

(58) **Field of Classification Search**

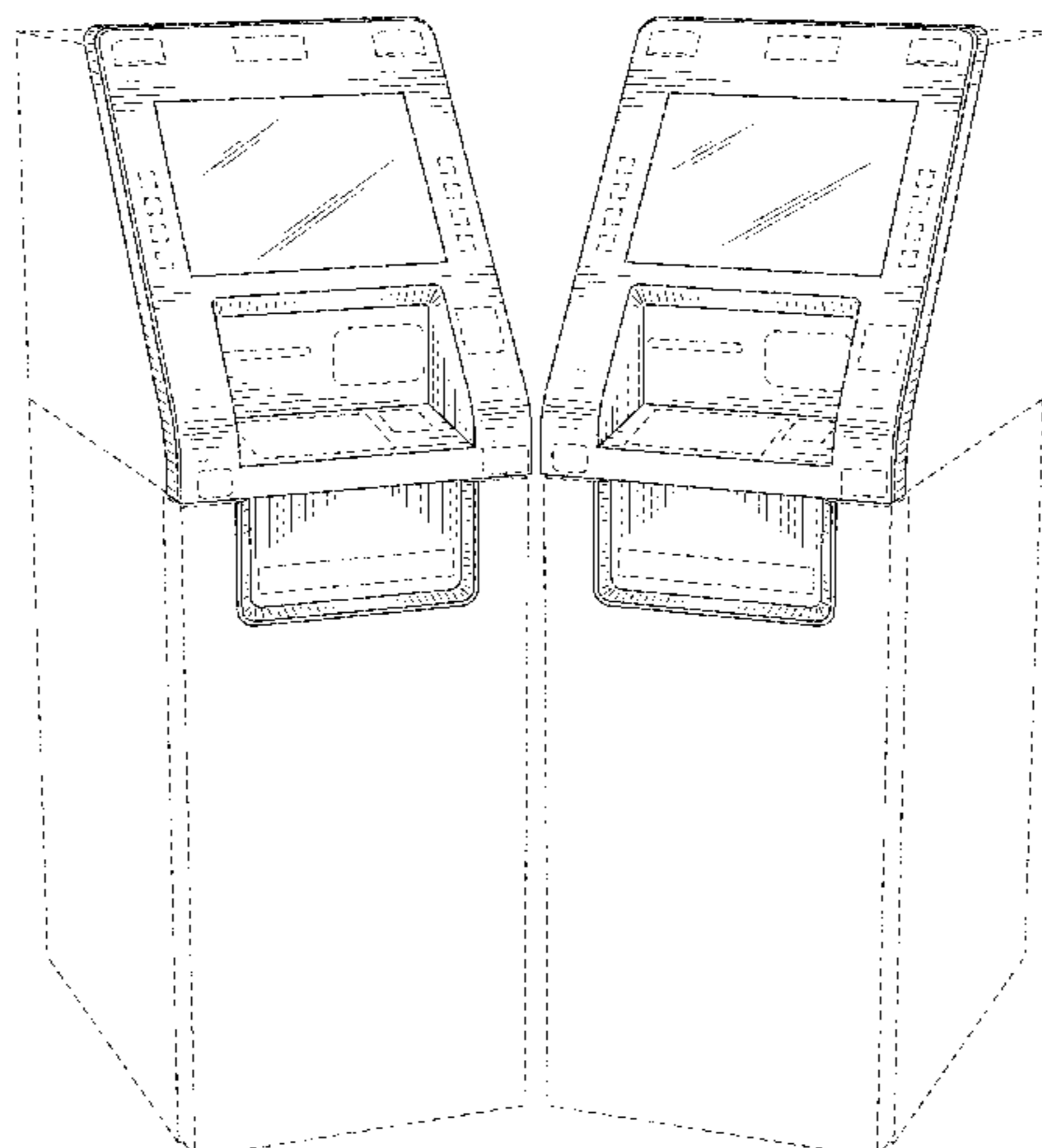
**DESCRIPTION**

USPC ..... D99/28, 34, 35, 36, 43, 99;  
D14/300-302, 305, 307, 900-902;  
D18/3.1-3.3, 4.1-4.6, 12.1-12.3;  
D21/324, 325, 329, 369, 370; 101/66;  
109/1 R, 1 V, 2, 23, 24.1, 25, 58, 58.5,  
109/66; 446/8-13; 705/16, 17, 18, 42,  
705/43, 44, 45; 235/51, 379, 380, 381,  
235/382, 383.5, 386; 206/0.8, 0.81,  
206/0.815, 0.82, 0.84

CPC .. G06Q 20/10; G06Q 20/108; G06Q 20/1085;  
G06Q 20/18; G07D 1/00; G07D 1/02;  
G07D 1/04; G07D 1/06; G07D 11/00;  
G07D 9/002; G07D 9/04; G07F 19/20;  
G07F 19/201; G07F 19/202; G07F  
19/203; G07F 19/204; G07F 19/105;  
G07F 19/21; G07F 19/00; G07F 7/04;

FIG. 1 is a left, front perspective view of an automated transaction machine showing our new design.  
FIG. 2 is a right, front perspective of an automated transaction machine of FIG. 1.  
FIG. 3 is a front view of the automated transaction machine of FIG. 1.  
FIG. 4 is a back view of the automated transaction machine of FIG. 1.  
FIG. 5 is a left side view of the automated transaction machine of FIG. 1.  
FIG. 6 is a right side view of the automated transaction machine of FIG. 1; and,  
FIG. 7 is a top view of the automated transaction machine of FIG. 1.  
The bottom of the automated transaction machine is flat and devoid of ornamentation.

(Continued)



The broken lines shown in the drawings represent portions of the automated transaction machine that form no part of the claimed design.

**1 Claim, 7 Drawing Sheets**

(56)

**References Cited**

U.S. PATENT DOCUMENTS

D419,277 S \* 1/2000 Ishii ..... D99/28  
 6,029,888 A \* 2/2000 Harvey ..... G06K 7/0034  
 235/379  
 6,527,172 B1 \* 3/2003 Lewis ..... G07F 19/20  
 235/375  
 D481,516 S \* 10/2003 Magee ..... D99/28  
 D481,517 S \* 10/2003 Magee ..... D99/28  
 D481,518 S \* 10/2003 Magee ..... D99/28  
 D492,080 S \* 6/2004 Magee ..... D99/28  
 D530,880 S \* 10/2006 Magee ..... D99/28  
 7,419,091 B1 \* 9/2008 Scanlon ..... G06Q 20/1085  
 235/379  
 7,513,420 B1 \* 4/2009 Block ..... G06Q 20/102  
 235/379  
 7,533,802 B1 \* 5/2009 McGinley ..... G07F 19/20  
 235/376  
 7,549,925 B2 \* 6/2009 Scholen ..... A63F 13/90  
 463/46  
 D596,374 S \* 7/2009 Kang ..... D99/28  
 D603,125 S \* 10/2009 Lara Bartolome ..... D99/28  
 D625,305 S \* 10/2010 Bleck ..... D14/307  
 D626,544 S \* 11/2010 Bleck ..... D14/307  
 D626,545 S \* 11/2010 Bleck ..... D14/307  
 D645,223 S \* 9/2011 Bleck ..... D14/307  
 8,052,051 B1 \* 11/2011 Lute ..... G07F 19/205  
 235/375

8,181,857 B1 \* 5/2012 Lute ..... G06Q 20/1085  
 235/379  
 D663,505 S \* 7/2012 Helgesson ..... D99/28  
 D674,985 S \* 1/2013 Lee ..... D14/900  
 8,365,868 B2 \* 2/2013 Johnson ..... A47F 10/02  
 186/52  
 D724,811 S \* 3/2015 Reitingner ..... D99/28  
 D769,570 S \* 10/2016 Kraft ..... D99/28  
 D792,049 S \* 7/2017 Oh ..... D99/28  
 D803,507 S \* 11/2017 Park ..... D99/28  
 D806,979 S \* 1/2018 Gerlach ..... D99/28  
 D825,133 S \* 8/2018 Park ..... D99/28  
 D825,134 S \* 8/2018 Birnie ..... D99/28  
 D826,514 S \* 8/2018 Park ..... D99/28  
 D832,553 S \* 10/2018 Angelopoulos ..... D99/28  
 D833,704 S \* 11/2018 Kraft ..... D99/28  
 D839,529 S \* 1/2019 Nelson ..... D99/28  
 D847,452 S \* 4/2019 Angelopoulos ..... D99/28  
 D850,054 S \* 5/2019 Del Vecchio ..... D99/28  
 D853,077 S \* 7/2019 Ku ..... D99/28  
 D859,778 S \* 9/2019 Pieratt ..... D99/28  
 D862,829 S \* 10/2019 Angelopoulos ..... D99/28  
 2004/0262379 A1 \* 12/2004 Gomes ..... G06Q 30/06  
 235/379  
 2005/0029340 A1 \* 2/2005 Ferraro ..... G07F 7/00  
 235/379  
 2006/0073883 A1 \* 4/2006 Franks, Jr. ..... G06Q 30/02  
 463/25  
 2008/0265019 A1 \* 10/2008 Artino ..... G06Q 20/1085  
 235/379  
 2008/0296365 A1 \* 12/2008 Schliebe ..... G01G 19/52  
 235/379  
 2009/0057398 A1 \* 3/2009 Douglass ..... G07F 19/20  
 235/379  
 2010/0161489 A1 \* 6/2010 Goodall ..... G06Q 20/042  
 705/45  
 2010/0243729 A1 \* 9/2010 Russell ..... B65H 7/12  
 235/379

\* cited by examiner

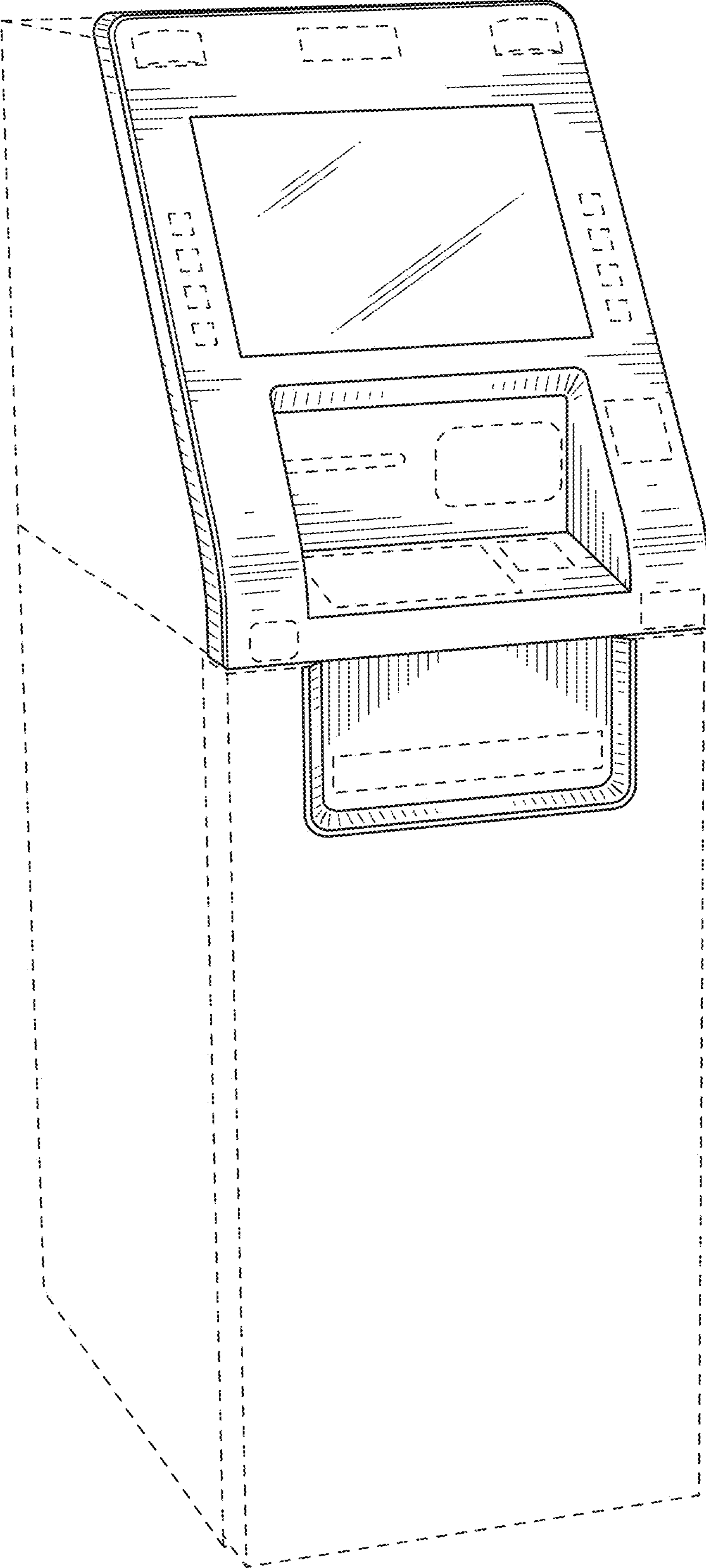


FIG. 1

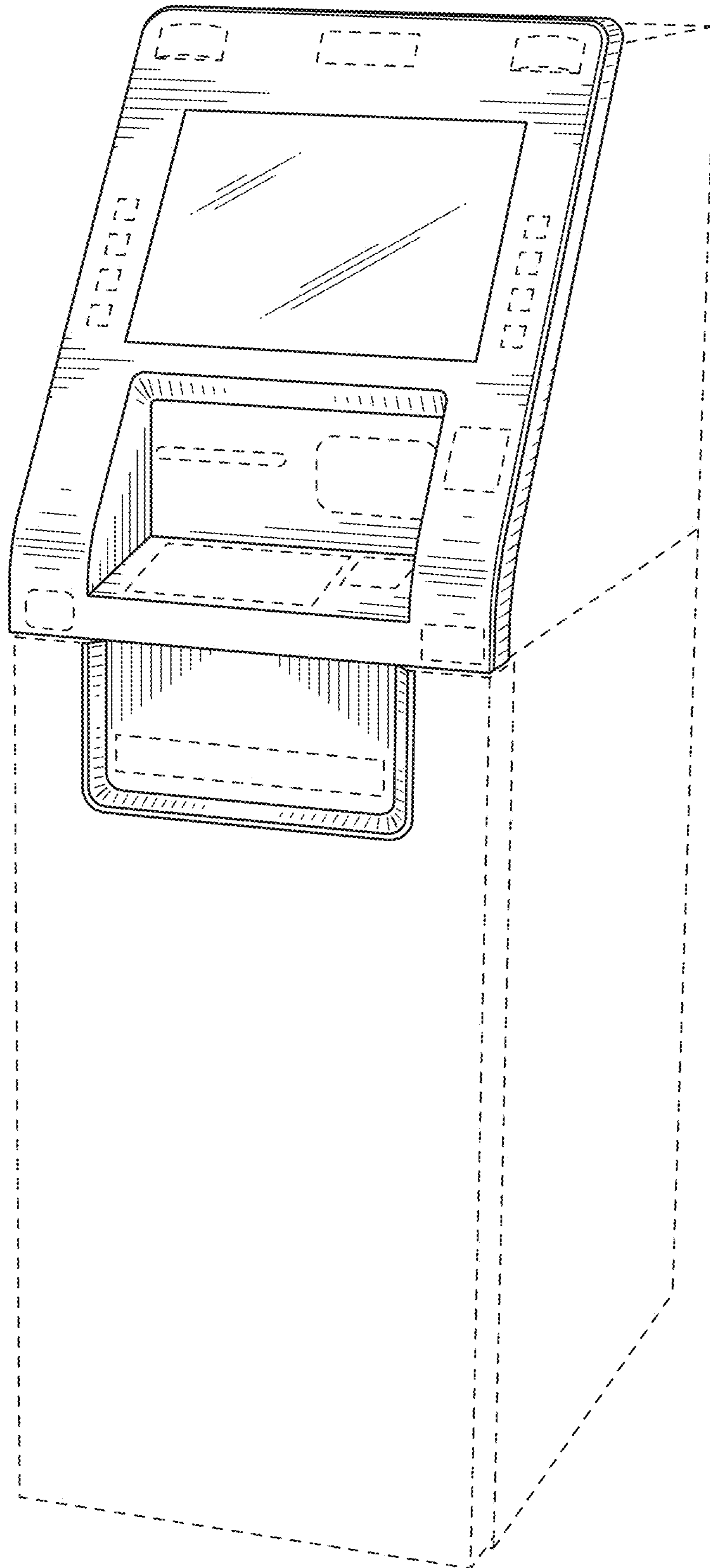


FIG. 2

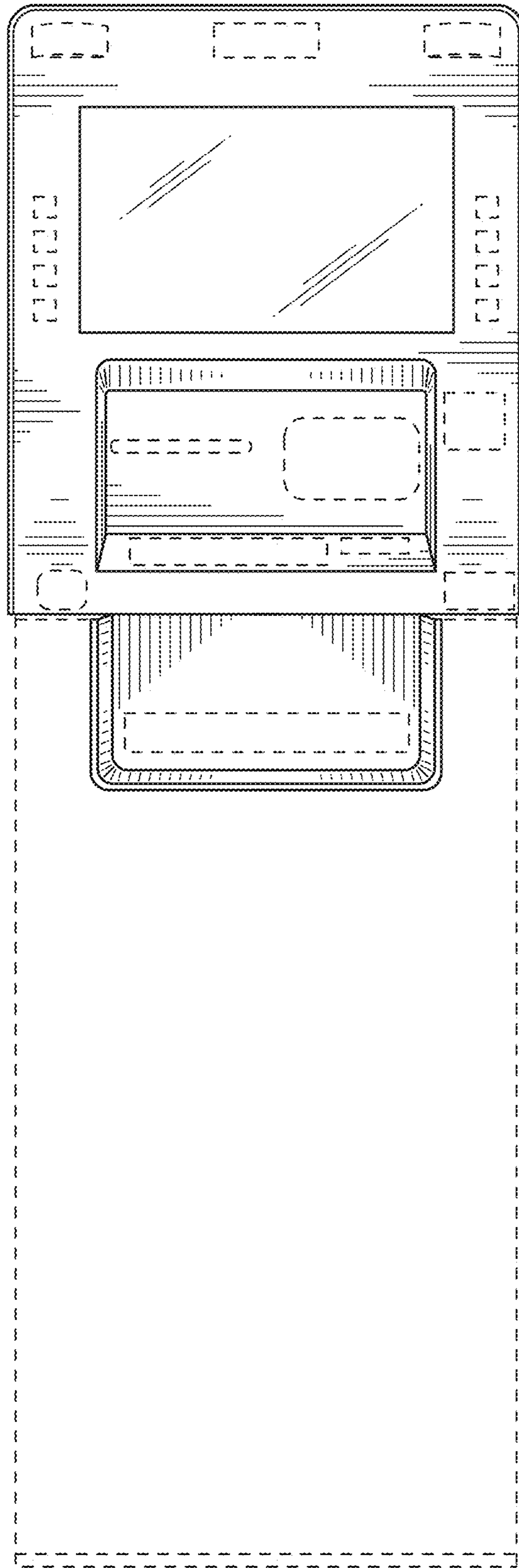


FIG. 3

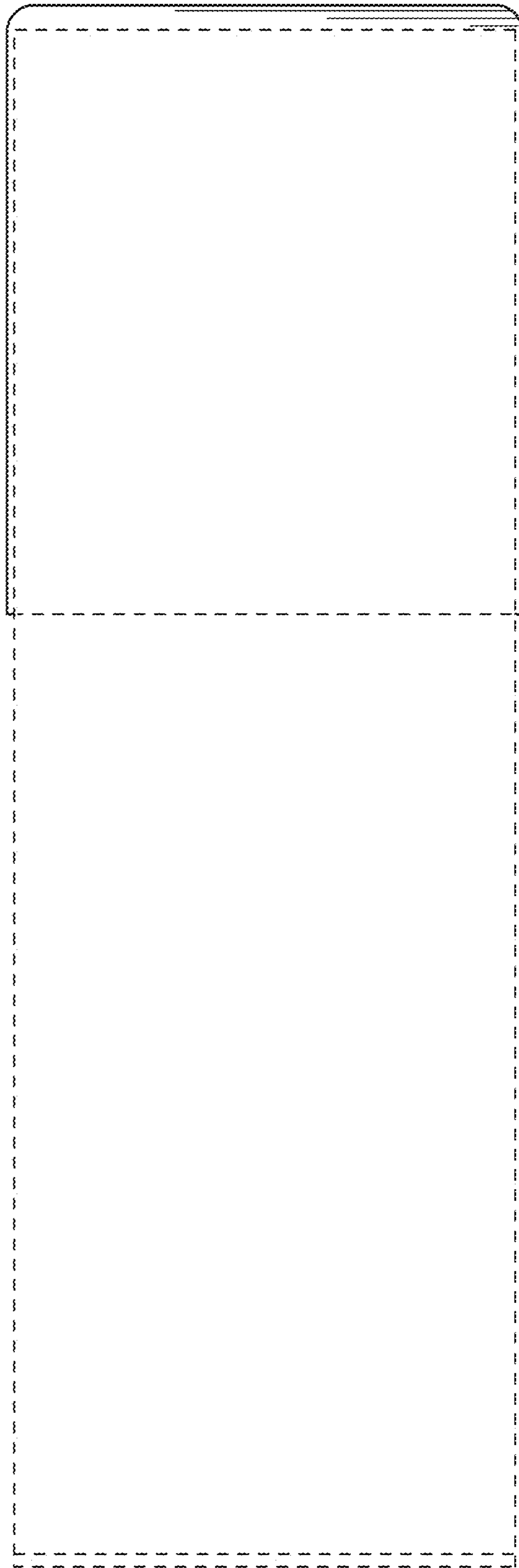


FIG. 4

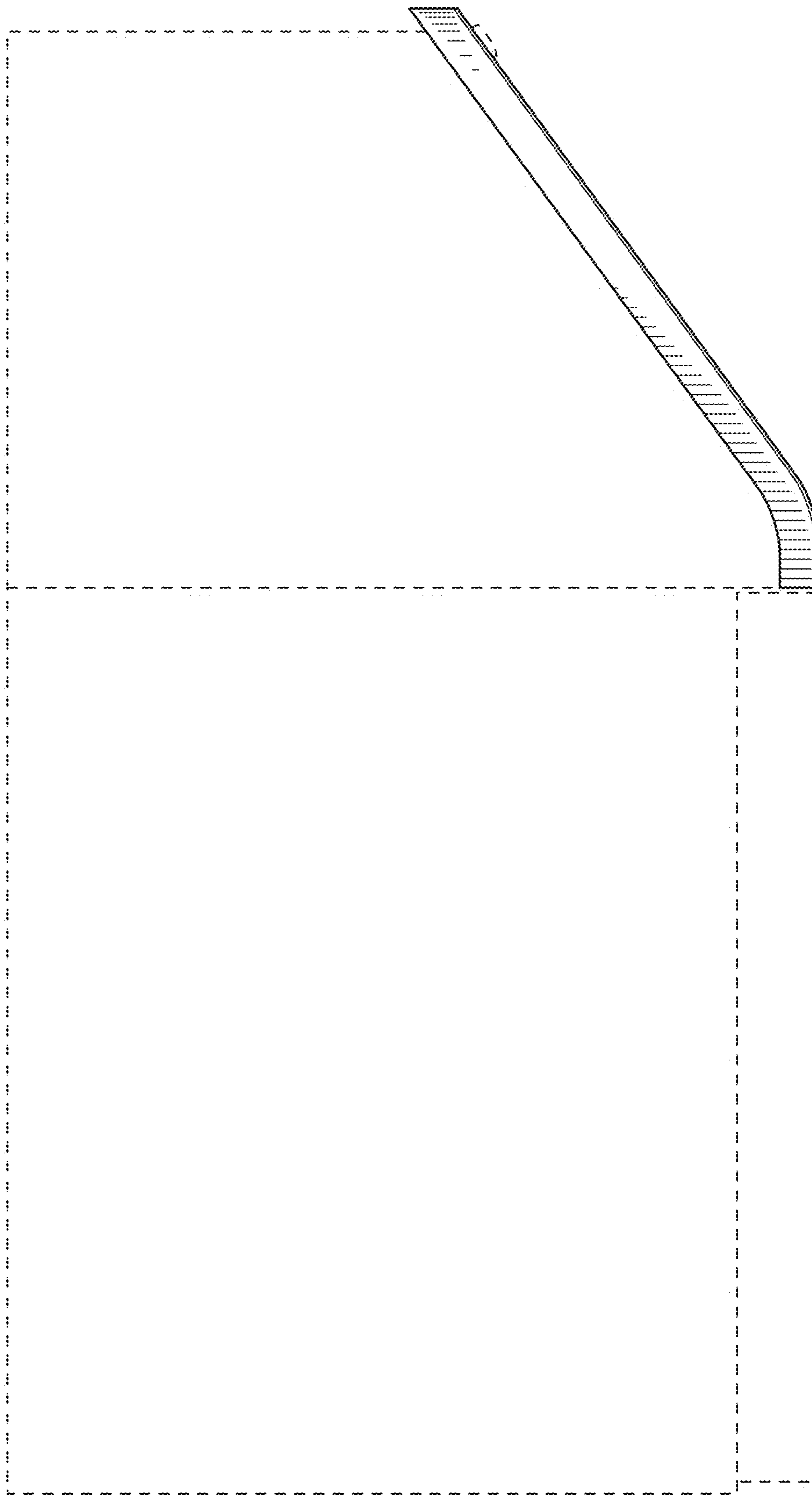


FIG. 5

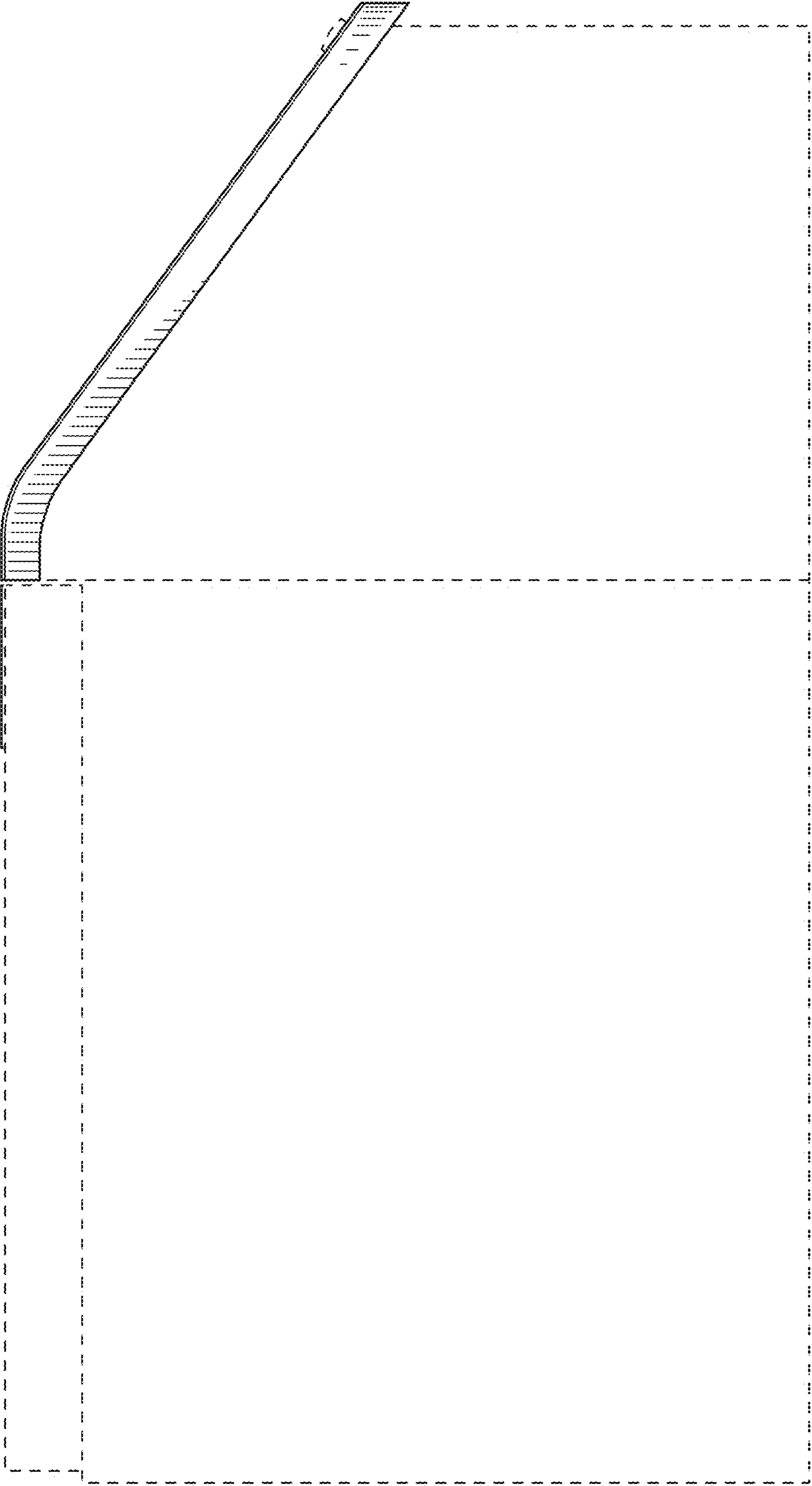


FIG. 6



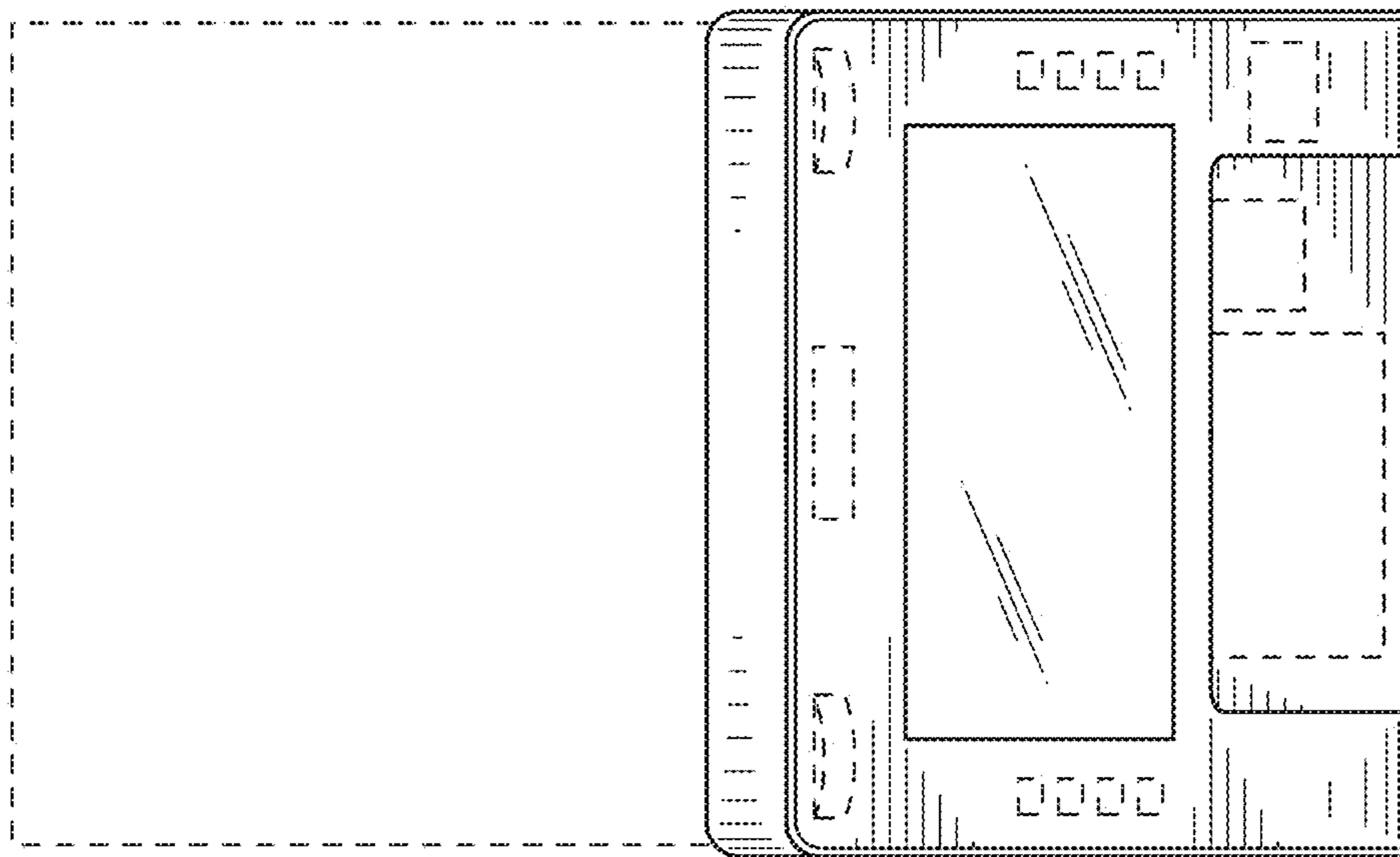


FIG. 7