



US00D880098S

(12) **United States Design Patent**  
**Harrison et al.**

(10) **Patent No.:** **US D880,098 S**  
(45) **Date of Patent:** **\*\* Mar. 31, 2020**

- (54) **TORQUE TENSIONING TUBE FOR A CONVEYOR BELT MAINFRAME**
- (71) Applicant: **Martin Engineering Company**, Neponset, IL (US)
- (72) Inventors: **Paul B. Harrison**, Neponset, IL (US); **Rudolf Beer**, Neponset, IL (US); **David W. Mueller**, Neponset, IL (US); **Brian K. Kaiser**, Neponset, IL (US)
- (73) Assignee: **MARTIN ENGINEERING COMPANY**, Neponset, IL (US)
- (\*\*) Term: **15 Years**
- (21) Appl. No.: **29/676,714**
- (22) Filed: **Jan. 14, 2019**
- (51) **LOC (12) Cl.** ..... **12-05**
- (52) **U.S. Cl.**  
USPC ..... **D34/29**
- (58) **Field of Classification Search**  
USPC ..... D34/29; D8/14  
CPC ..... B25B 25/00; B25B 27/026; B65G 23/44; B65G 39/16; B65G 39/00; F16H 7/10; F16H 7/14; F16H 7/24; F16D 1/104; F16D 48/064; B21D 26/14; Y10T 29/49803  
See application file for complete search history.

- (56) **References Cited**  
U.S. PATENT DOCUMENTS  
4,380,326 A \* 4/1983 Marzorati ..... B25B 25/00 254/131  
4,437,648 A \* 3/1984 Thorn ..... B25B 25/00 254/133 R  
5,653,654 A \* 8/1997 Davis ..... F16H 7/20 254/250  
6,209,715 B1 \* 4/2001 Eltvedt ..... B65G 21/06 198/813

- 6,638,191 B1 \* 10/2003 Hankins ..... F16H 7/14 474/101
- 7,597,154 B1 \* 10/2009 McFarland ..... E01H 1/045 171/143
- D750,864 S \* 3/2016 Roessler ..... D34/29
- 9,643,786 B1 \* 5/2017 Palmer ..... B65G 23/44
- D789,643 S \* 6/2017 Pettinga ..... D34/29
- 9,695,877 B2 \* 7/2017 Saha ..... F16D 1/104
- D799,777 S \* 10/2017 Cloutier ..... D34/29
- D866,113 S \* 11/2019 Andersen ..... D34/29
- D866,909 S \* 11/2019 Andersen ..... D34/29
- D866,910 S \* 11/2019 Andersen ..... D34/29
- 2005/0051224 A1 \* 3/2005 Saha ..... F16D 1/072 138/109
- 2015/0080136 A1 \* 3/2015 Kenno ..... E21B 17/07 464/88
- 2016/0025146 A1 \* 1/2016 Saha ..... F16D 1/104 403/285

(Continued)

*Primary Examiner* — Cynthia Ramirez  
(74) *Attorney, Agent, or Firm* — Thompson Coburn LLP

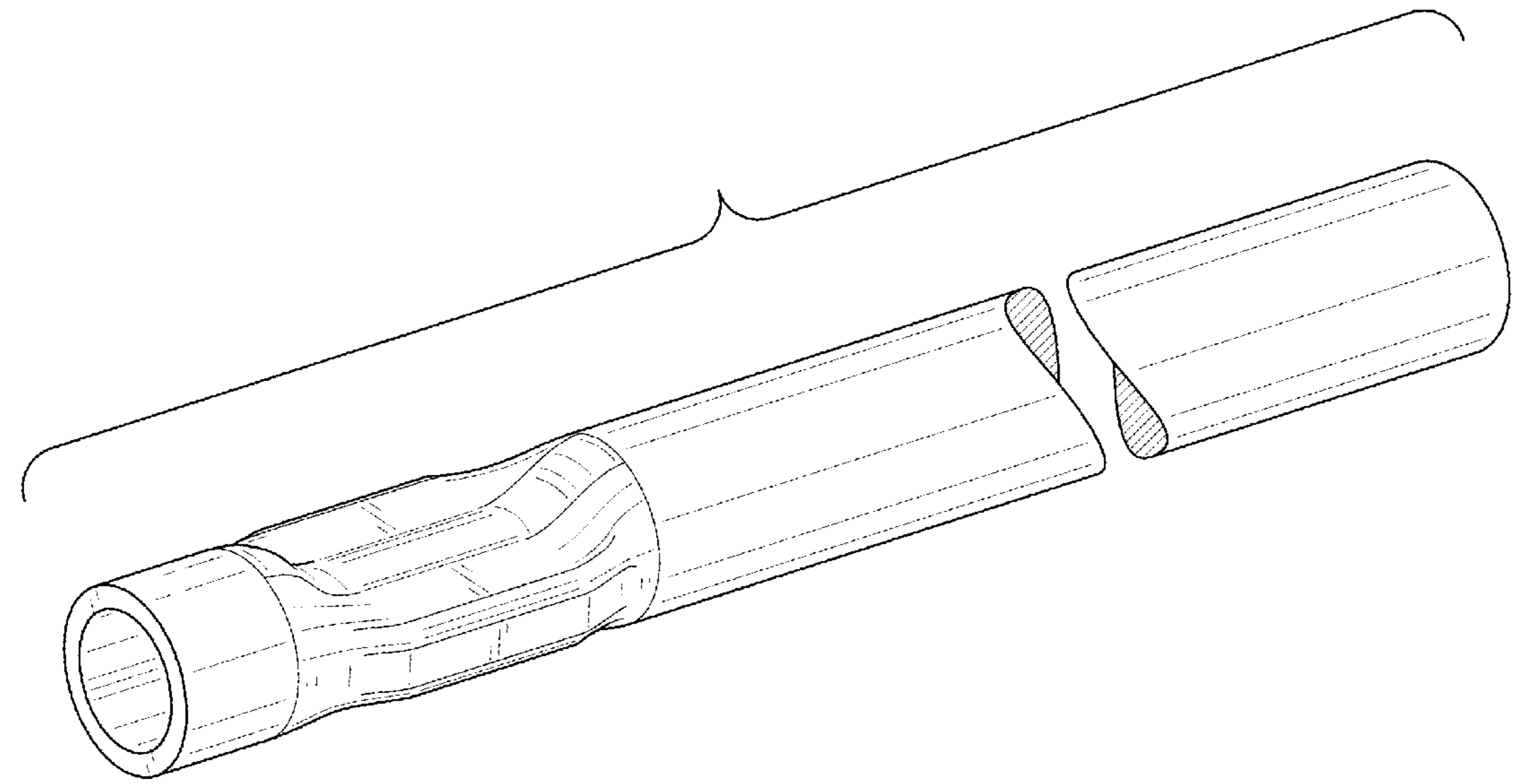
(57) **CLAIM**

The ornamental design for a torque tensioning tube for a conveyor belt mainframe, as shown and described.

**DESCRIPTION**

FIG. 1 is a perspective, fragmented view of a torque tensioning tube for a conveyor belt mainframe showing our new design;  
FIG. 2 is a front view thereof;  
FIG. 3 is a rear view thereof;  
FIG. 4 is a right side view thereof;  
FIG. 5 is a top plan view thereof;  
FIG. 6 is a left side view thereof; and,  
FIG. 7 is a bottom view thereof.  
All portions of the torque tensioning tube for a conveyor belt mainframe located between the break lines form no part of the claimed design.

**1 Claim, 4 Drawing Sheets**



(56)

**References Cited**

U.S. PATENT DOCUMENTS

2019/0152706 A1\* 5/2019 Batchelder ..... B65G 15/60  
2019/0301312 A1\* 10/2019 Schmid ..... F01L 1/047

\* cited by examiner

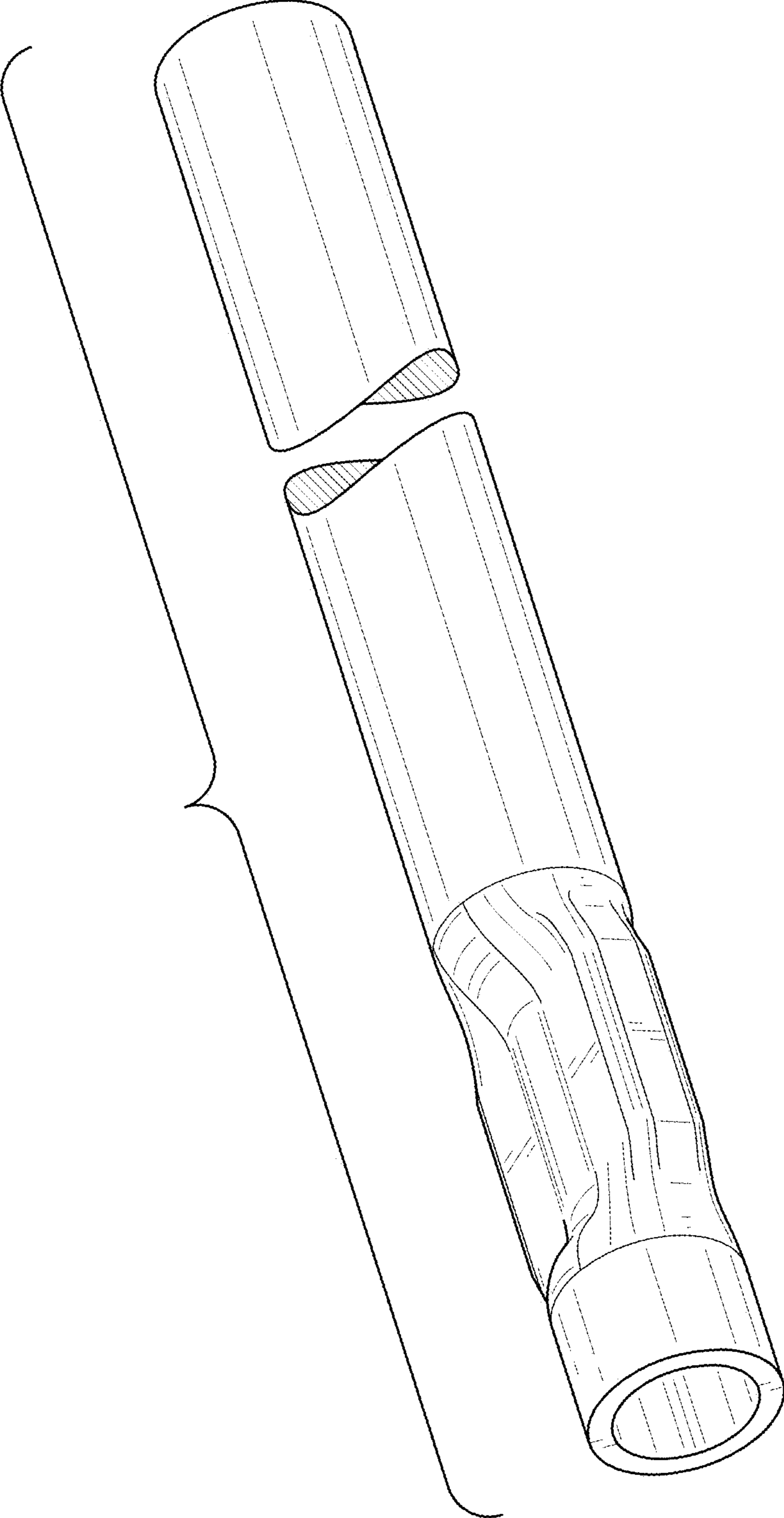


FIG. 1

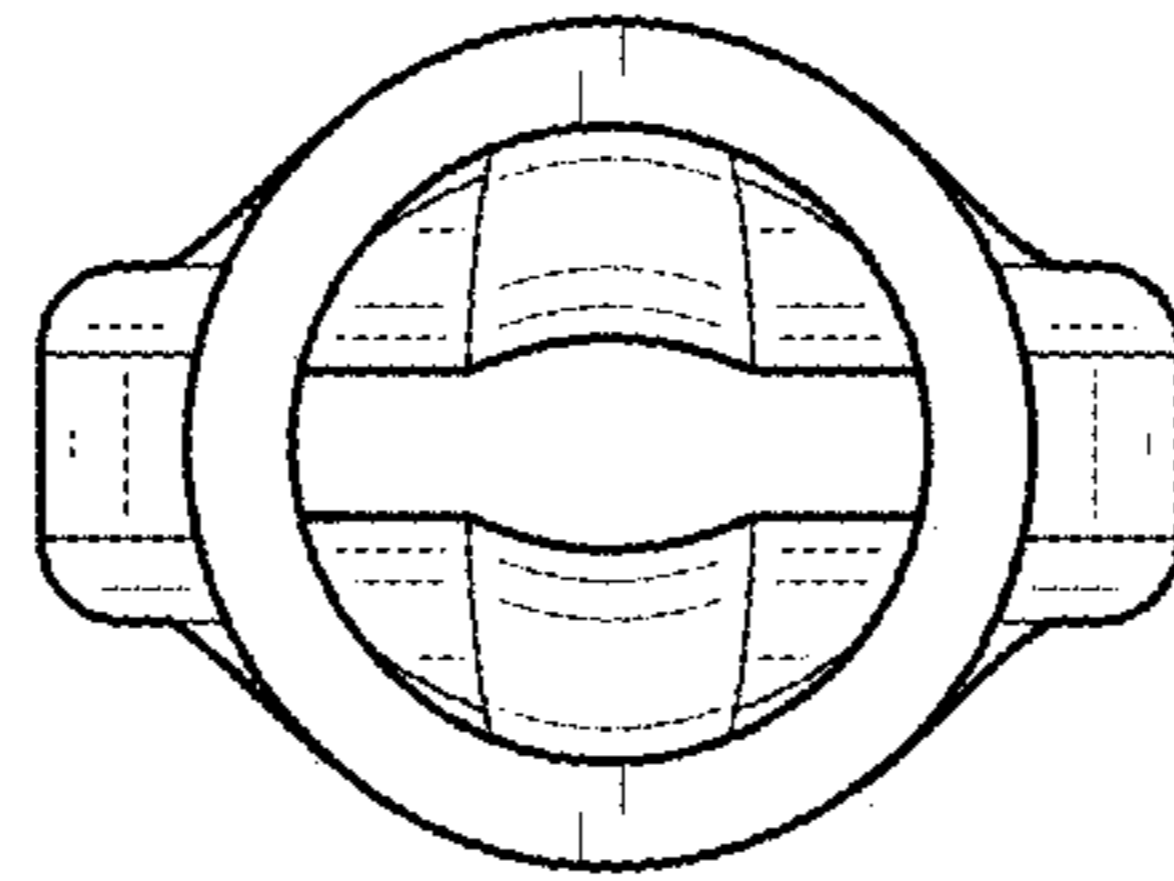


FIG. 2

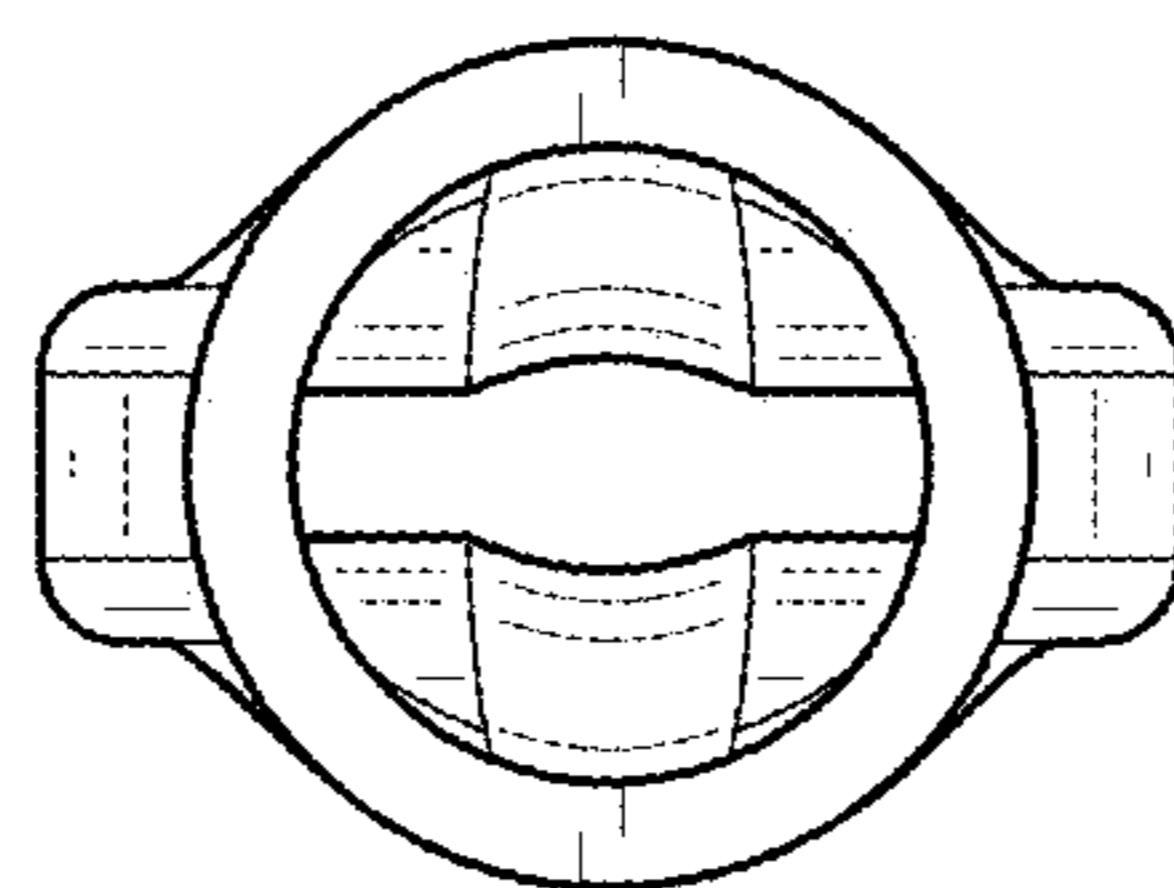


FIG. 3

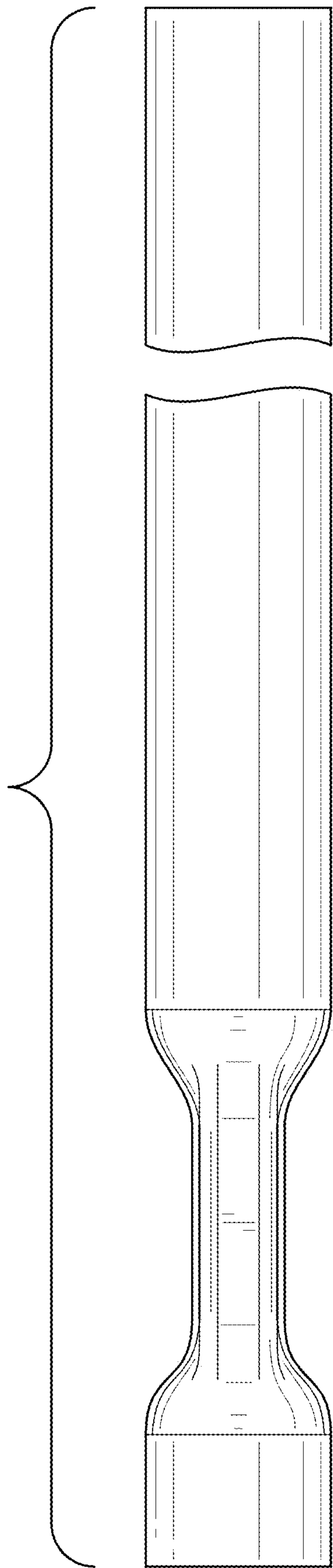


FIG. 4

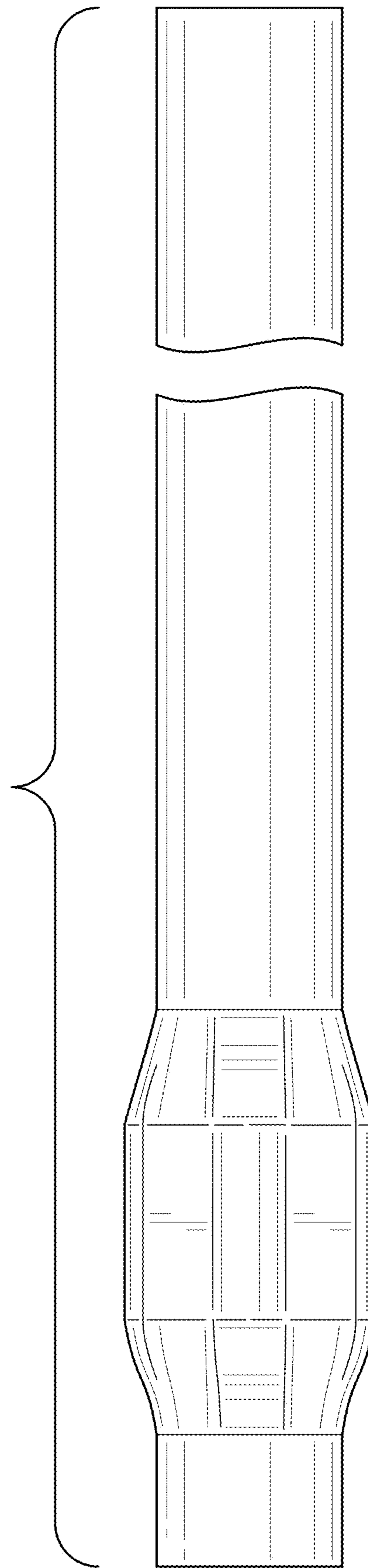


FIG. 5

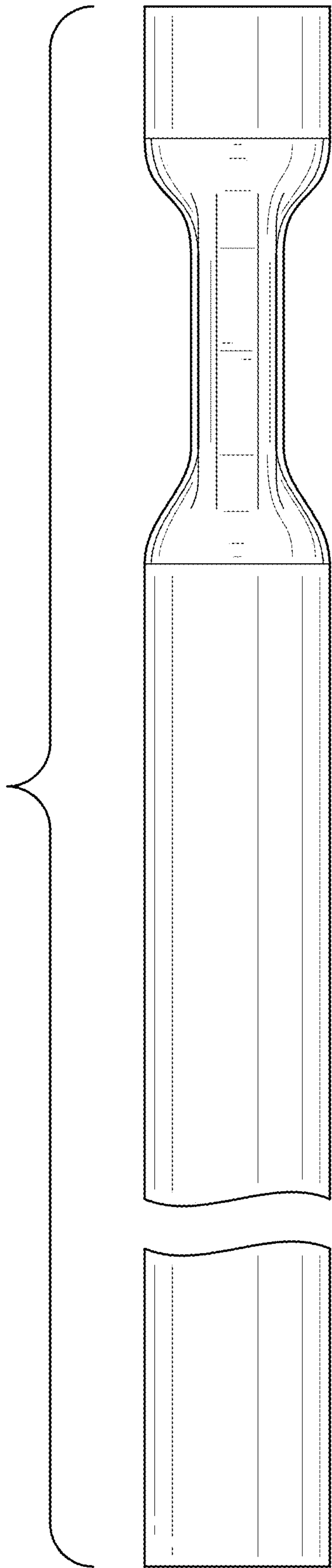


FIG. 6

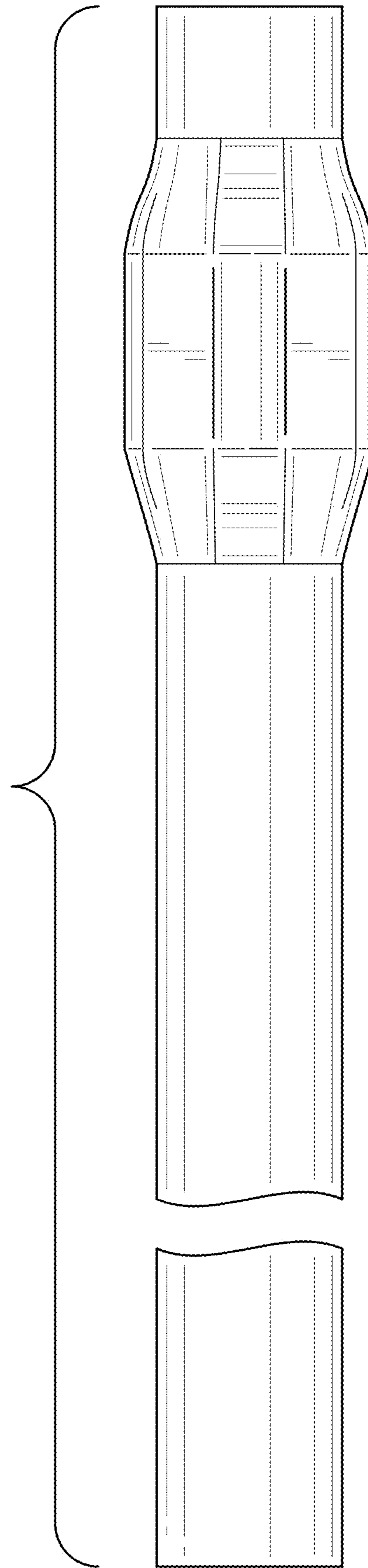


FIG. 7