



US00D880097S

(12) **United States Design Patent**
Wolf et al.

(10) **Patent No.:** **US D880,097 S**
(45) **Date of Patent:** **** Mar. 31, 2020**

(54) **CONVEYOR PULLEY INCLUDING A WEAR INDICATOR**

(71) Applicant: **Precision, Inc.**, Pella, IA (US)

(72) Inventors: **Tim Erwin Wolf**, Ankeny, IA (US);
Christian Troy Hall, Fort Collins, CO (US)

(73) Assignee: **Precision, Inc.**, Pella, IA (US)

(**) Term: **15 Years**

(21) Appl. No.: **29/603,892**

(22) Filed: **May 12, 2017**

(51) **LOC (12) Cl.** **12-05**

(52) **U.S. Cl.**
USPC **D34/29**

(58) **Field of Classification Search**
USPC D34/28–30, 33–38; 198/835, 837, 824;
193/37; 474/95, 187, 197; D9/520, 516,
D9/549, 454, 500; D7/509; D24/197
CPC B65G 39/02; B65G 39/10; B65G 23/04;
B65G 39/16; B65G 45/04; F16H 55/36
See application file for complete search history.

(56) **References Cited**

U.S. PATENT DOCUMENTS

3,134,268 A * 5/1964 Firth B65G 39/02
474/197
3,140,621 A * 7/1964 Stone F16H 55/36
198/835
5,284,457 A * 2/1994 Gerstenberger F16D 1/0858
198/836.4
D401,717 S * 11/1998 Grueber D34/29
5,901,427 A * 5/1999 Wolf F16D 1/076
29/445

6,523,678 B2 * 2/2003 Roessler B65G 21/06
198/780
7,090,065 B2 * 8/2006 Whipple B65G 39/02
193/37
8,196,738 B1 6/2012 Wolf et al.
8,720,662 B2 * 5/2014 Arsenenau B65G 39/09
193/37
2015/0300959 A1 10/2015 Smith et al.

OTHER PUBLICATIONS

Continental, "Conveyor Belt—Heavyweight," <http://www.continental-eliterpm.com/ProductsDetail.aspx?id=26009>, available before May 12, 2017.

* cited by examiner

Primary Examiner — Gino Colan

(74) *Attorney, Agent, or Firm* — Armstrong Teasdale LLP

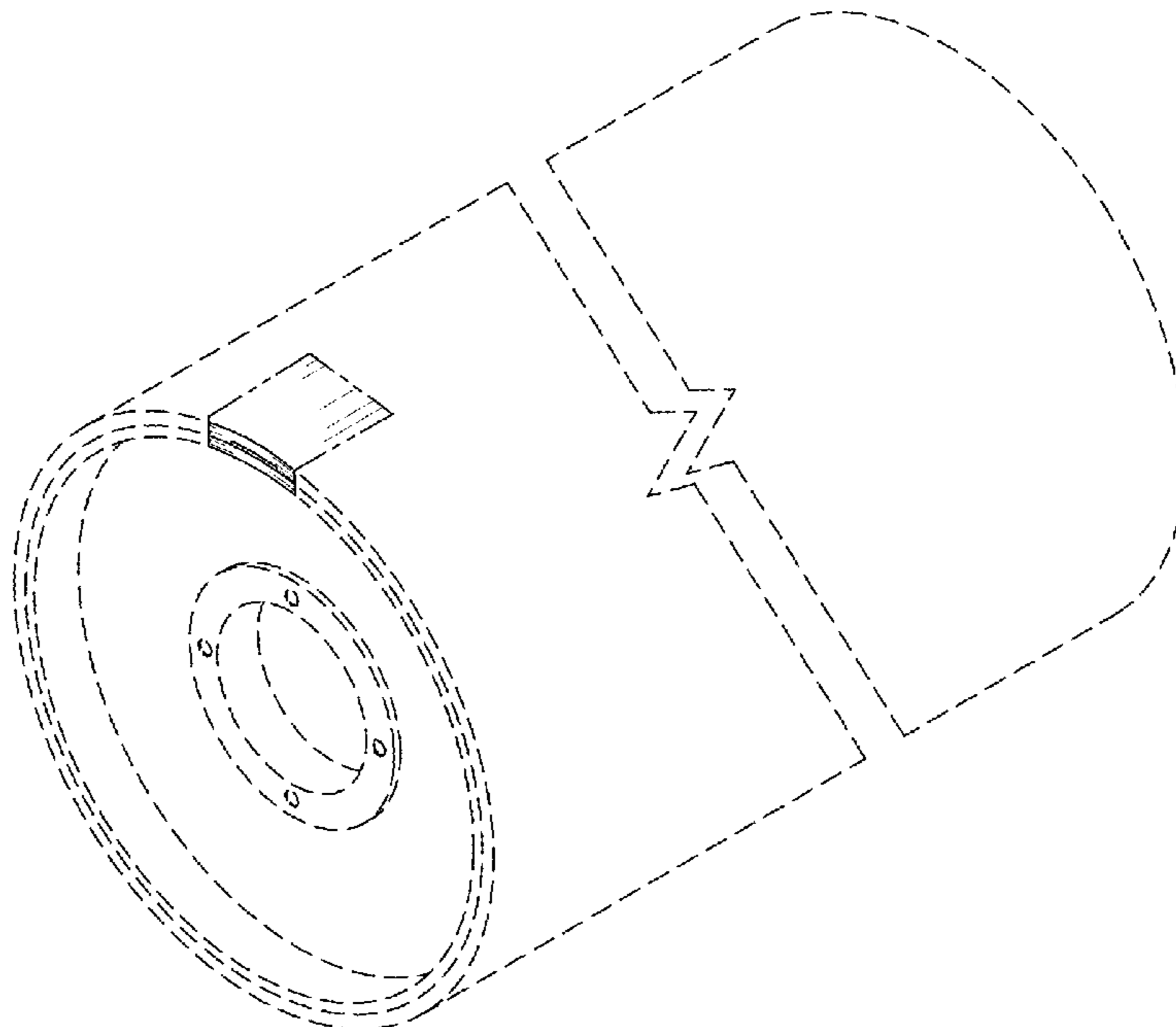
(57) **CLAIM**

We claim the ornamental design for a conveyor pulley including a wear indicator, as shown and described.

DESCRIPTION

FIG. 1 is a perspective view of a conveyor pulley including a wear indicator showing our new design; FIG. 2 is a left side elevation view thereof; FIG. 3 is an enlarged left side elevation view thereof; and, FIG. 4 is a top plan view thereof. The dash broken lines shown in the figures are for the purpose of illustrating portions of the conveyor pulley including a wear indicator and form no part of the claimed design.

1 Claim, 4 Drawing Sheets



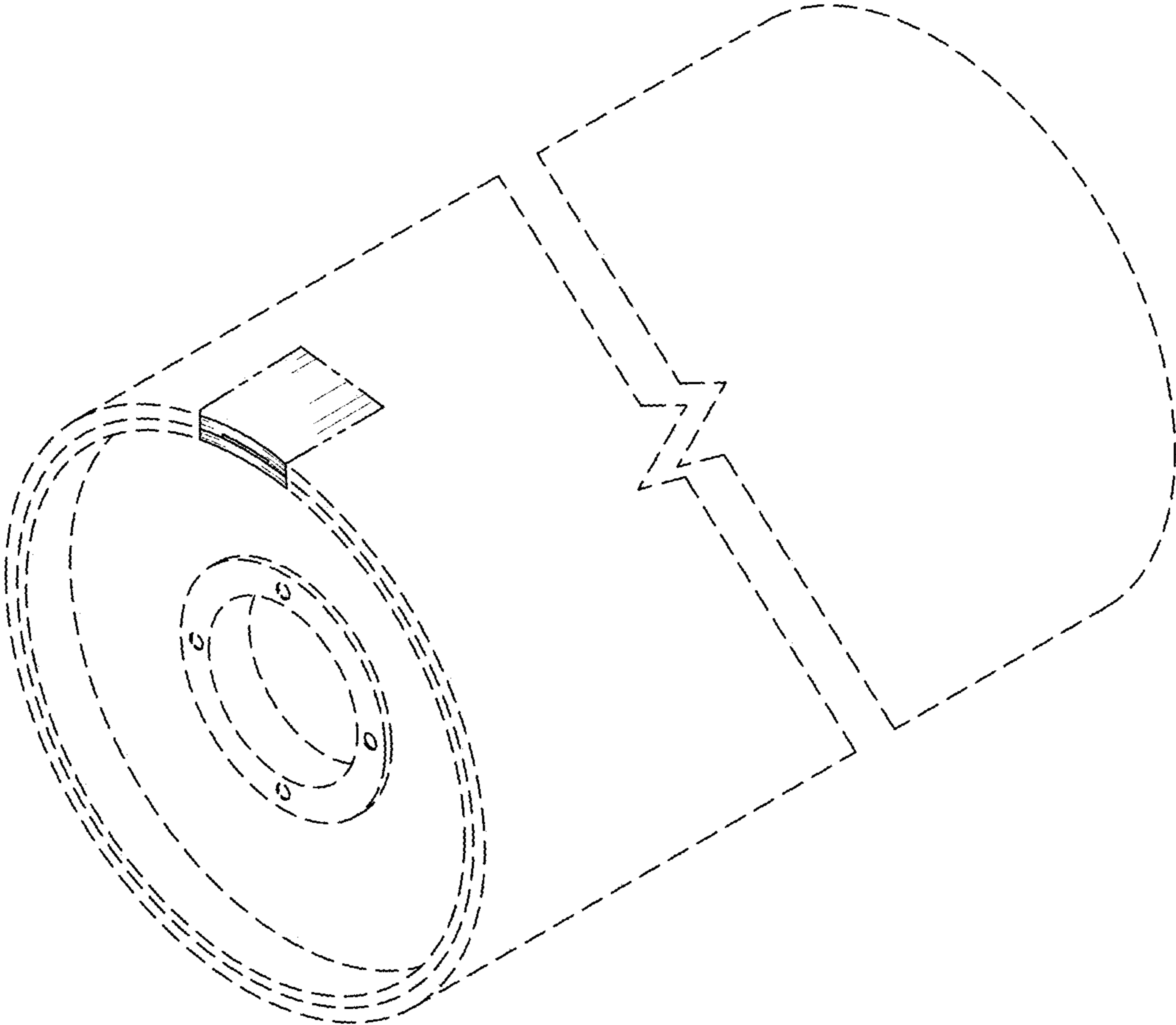


FIG. 1

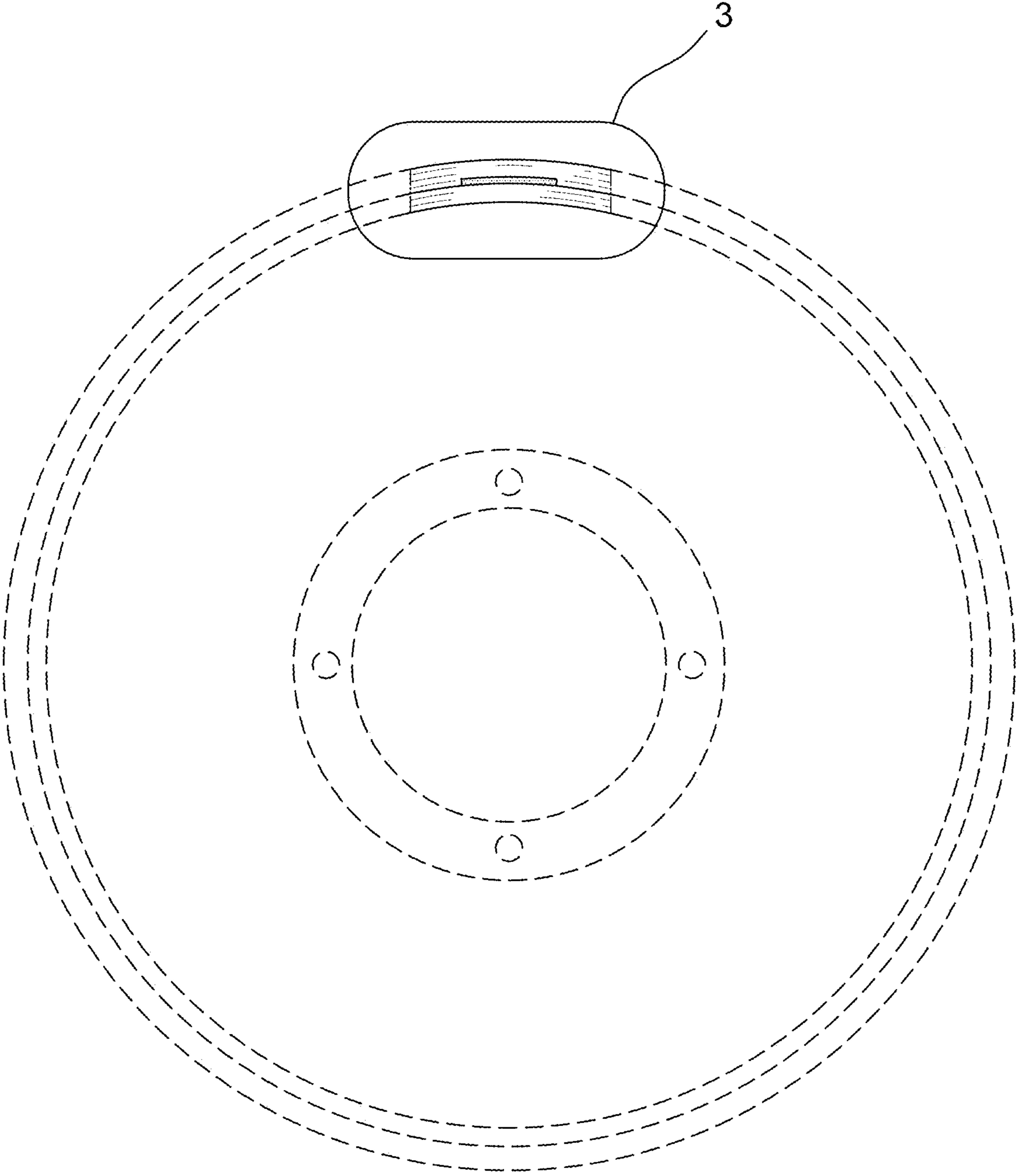


FIG. 2

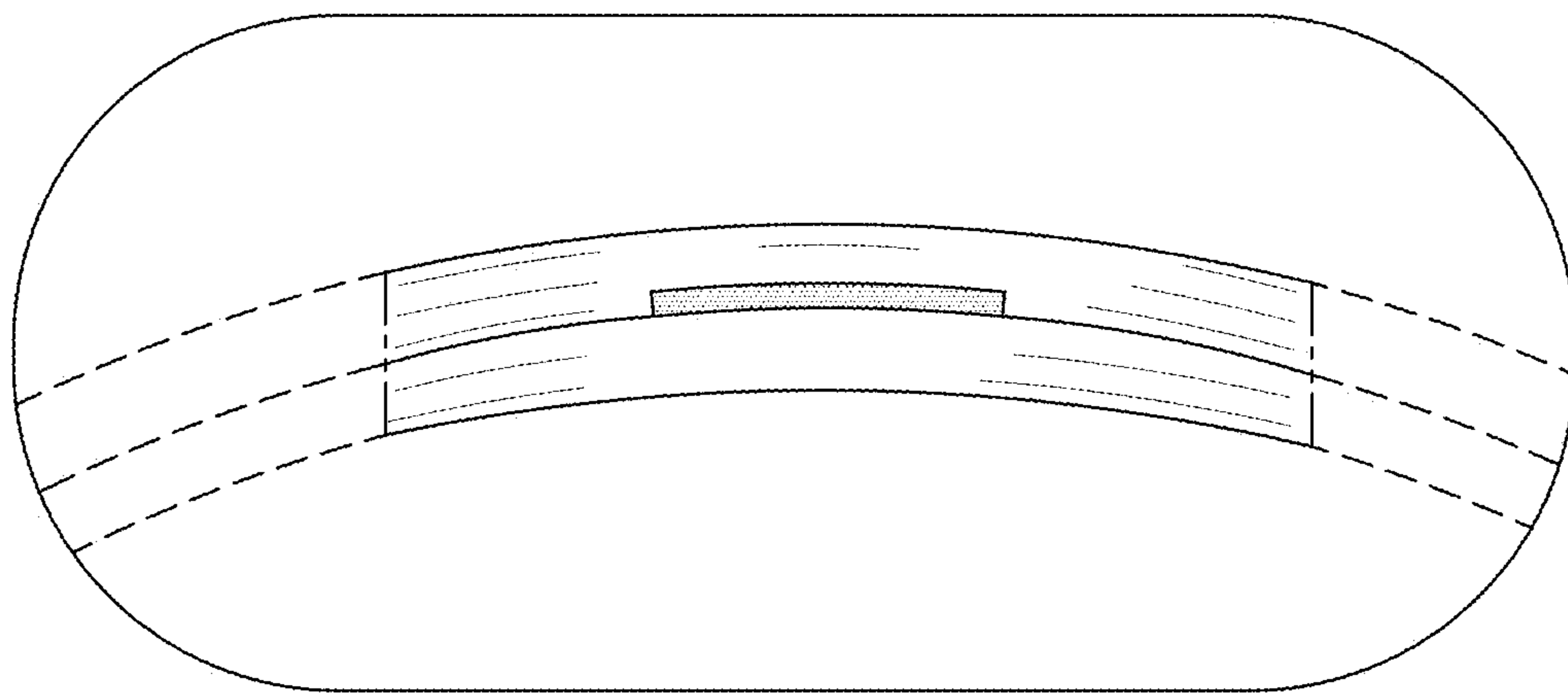


FIG. 3

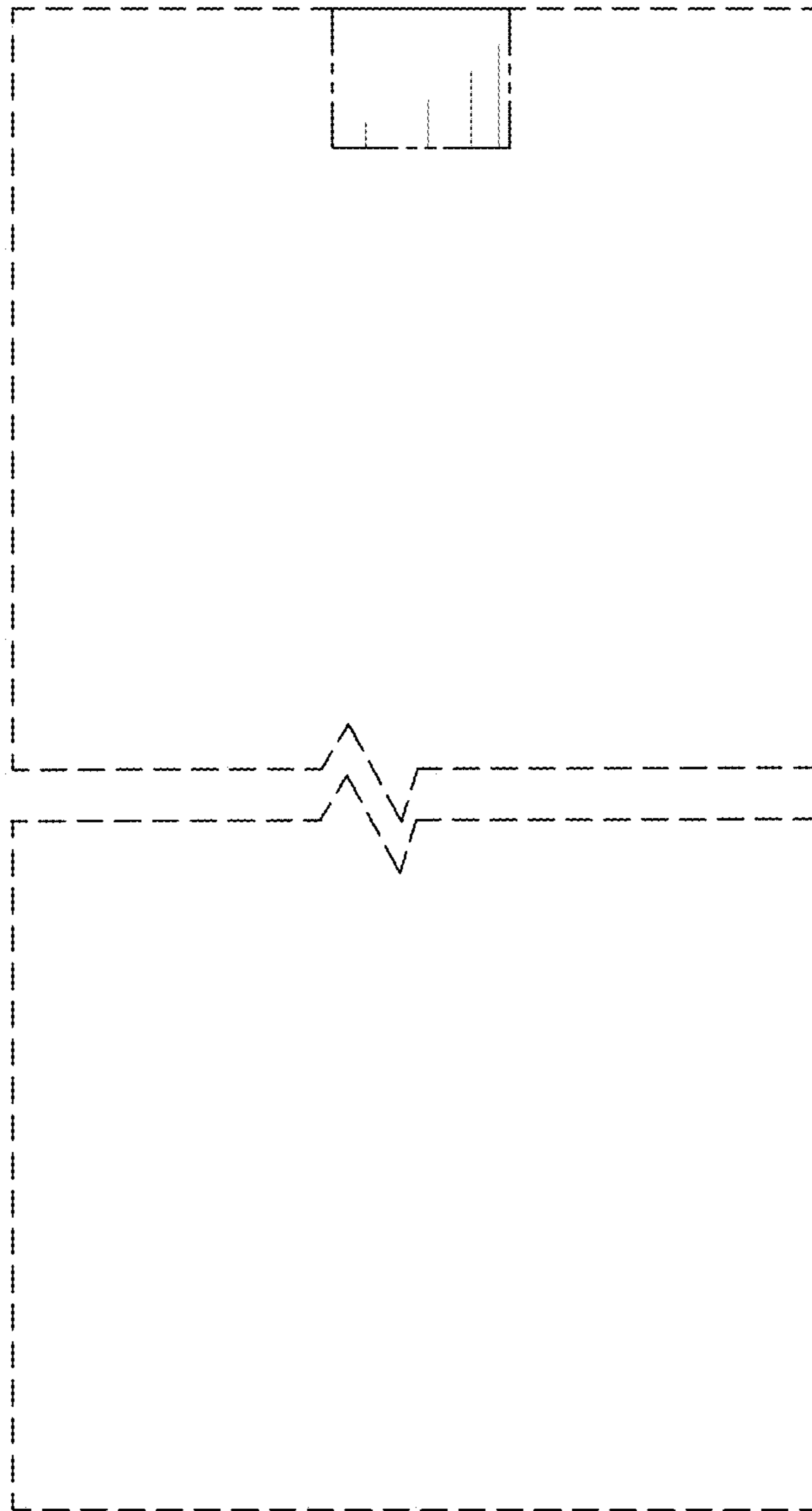


FIG. 4