



US00D880096S

(12) **United States Design Patent** (10) **Patent No.:** **US D880,096 S**
Wohlstadter et al. (45) **Date of Patent:** **** Mar. 31, 2020**

(54) **CART**

D598,623 S * 8/2009 Zang Wentz Pho D34/20
D618,418 S * 6/2010 Catron D34/12
D618,419 S * 6/2010 Catron D34/12

(71) Applicant: **Meso Scale Technologies, LLC.**,
Rockville, MD (US)

(Continued)

(72) Inventors: **Jacob N. Wohlstadter**, Potomac, MD
(US); **Rodger Darin Osborne**, Stuart,
FL (US); **Jennifer Parker**, Frederick,
MD (US); **Aaron Leimkuehler**, Upper
St. Clair, PA (US); **Manish Kochar**,
Rockville, MD (US); **Peter Bosco**,
Rockville, MD (US); **Michael Wade**,
Ocean Pines, MD (US)

FOREIGN PATENT DOCUMENTS

CN 302517429 S 7/2013
CN 302864165 S 7/2014
TW D154013 S 6/2013

(73) Assignee: **Meso Scale Technologies, LLC.**,
Rockville, MD (US)

OTHER PUBLICATIONS

Taiwan IPO Search Report dated Nov. 15, 2017 received in Taiwan
Design Patent Application No. 106304440, together with an English-
language translation.

(Continued)

(**) Term: **15 Years**

Primary Examiner — Gino Colan

(21) Appl. No.: **29/591,981**

(74) *Attorney, Agent, or Firm* — Scully, Scott, Murphy &
Presser, P.C.

(22) Filed: **Jan. 25, 2017**

(57) **CLAIM**

(51) **LOC (12) Cl.** **12-02**

The ornamental design for a cart, as shown and described.

(52) **U.S. Cl.**

DESCRIPTION

USPC **D34/21**

(58) **Field of Classification Search**

USPC D34/12, 13, 16–22, 25–27; 280/651,
280/47.34, 47.35, 47.19, 47.17, 79.2;
211/188

CPC B62B 1/12; B62B 3/02; B62B 5/0438;
B62B 3/0606

See application file for complete search history.

FIG. 1 is a perspective view of a first embodiment of a cart
showing our new design;
FIG. 2 is a top plan view thereof;
FIG. 3 is a back elevation view thereof;
FIG. 4 is a front elevation view thereof;
FIG. 5 is a right side elevation view thereof;
FIG. 6 is a perspective view of a second embodiment of a
cart showing our new design;
FIG. 7 is a back elevation view thereof;
FIG. 8 is a front elevation view thereof;
FIG. 9 is a right side elevation view thereof; and,
FIG. 10 is a top plan view thereof.

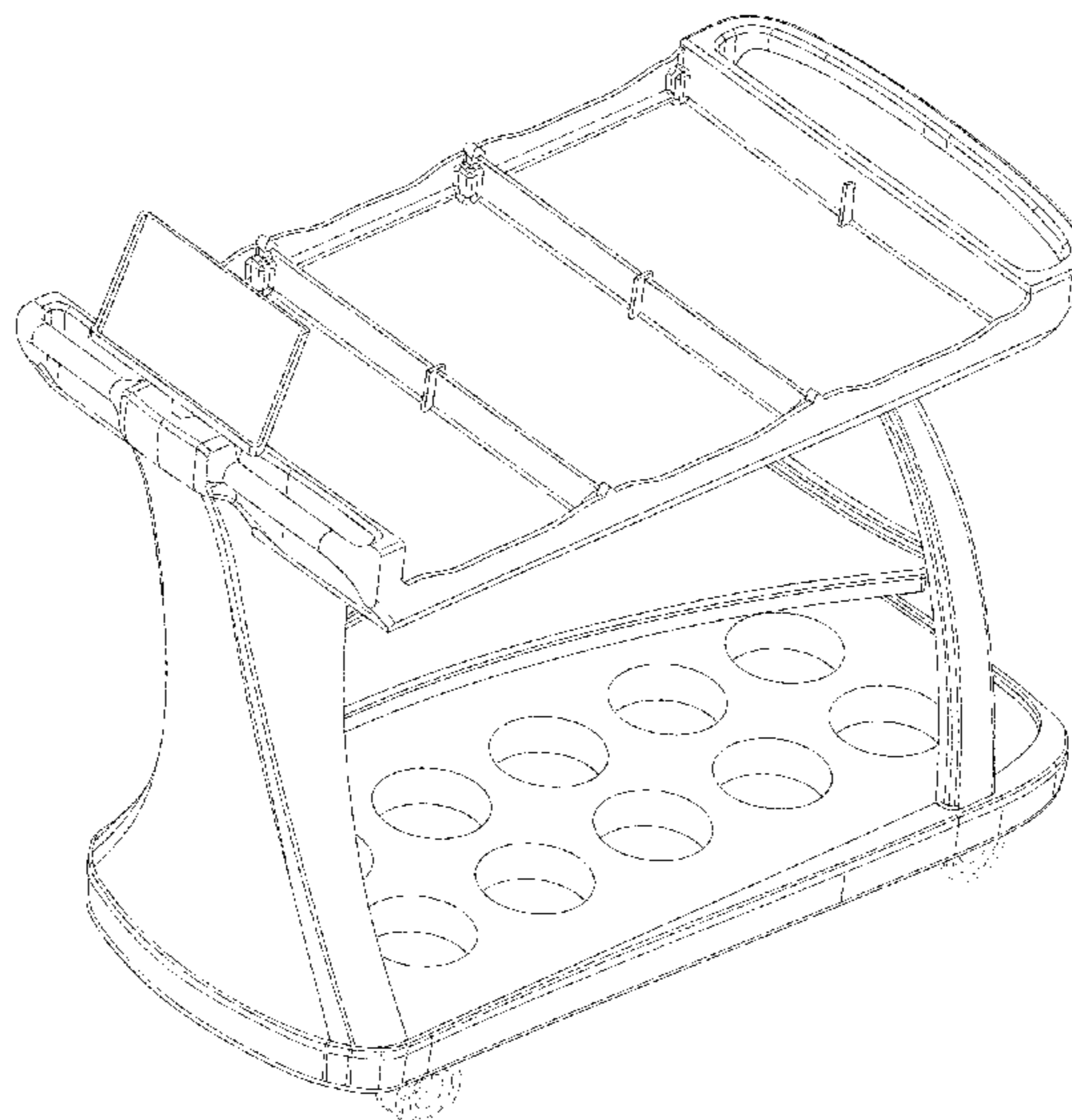
The broken lines shown in the figures are included for the
purpose of illustrating portions of the cart which form no
part of the claimed design.

(56) **References Cited**

U.S. PATENT DOCUMENTS

D361,188 S * 8/1995 Perelli D34/17
D485,410 S * 1/2004 Van Lanningham, Jr. D34/21
D487,604 S * 3/2004 Van Lanningham, Jr. D34/12
6,796,565 B2 * 9/2004 Choi B62B 3/02
211/188
D578,269 S * 10/2008 Van Lanningham, Jr. D34/17

1 Claim, 9 Drawing Sheets



(56)

References Cited

U.S. PATENT DOCUMENTS

D618,420 S * 6/2010 Perelli D34/17
D812,836 S * 3/2018 Wohlstadter D34/12
D831,292 S * 10/2018 Thuma D34/12
2004/0227315 A1 * 11/2004 Van Landingham, Jr.
A47B 31/00
280/47.35

OTHER PUBLICATIONS

Taiwan Allowance Decision of Examination dated Nov. 20, 2017 received in Taiwan Design Patent Application No. 106304440.

Taiwan IPO Search Report dated Nov. 15, 2017 received in Taiwan Design Patent Application No. 106304441, together with an English-language translation.

Taiwan Office Action dated Nov. 20, 2017 received in Taiwan Design Patent Application No. 106304441, together with an English-language translation.

Japanese Office Action dated Aug. 21, 2018 received in Japanese Design Patent Application No. 2017-016806, together with an English-language translation.

* cited by examiner

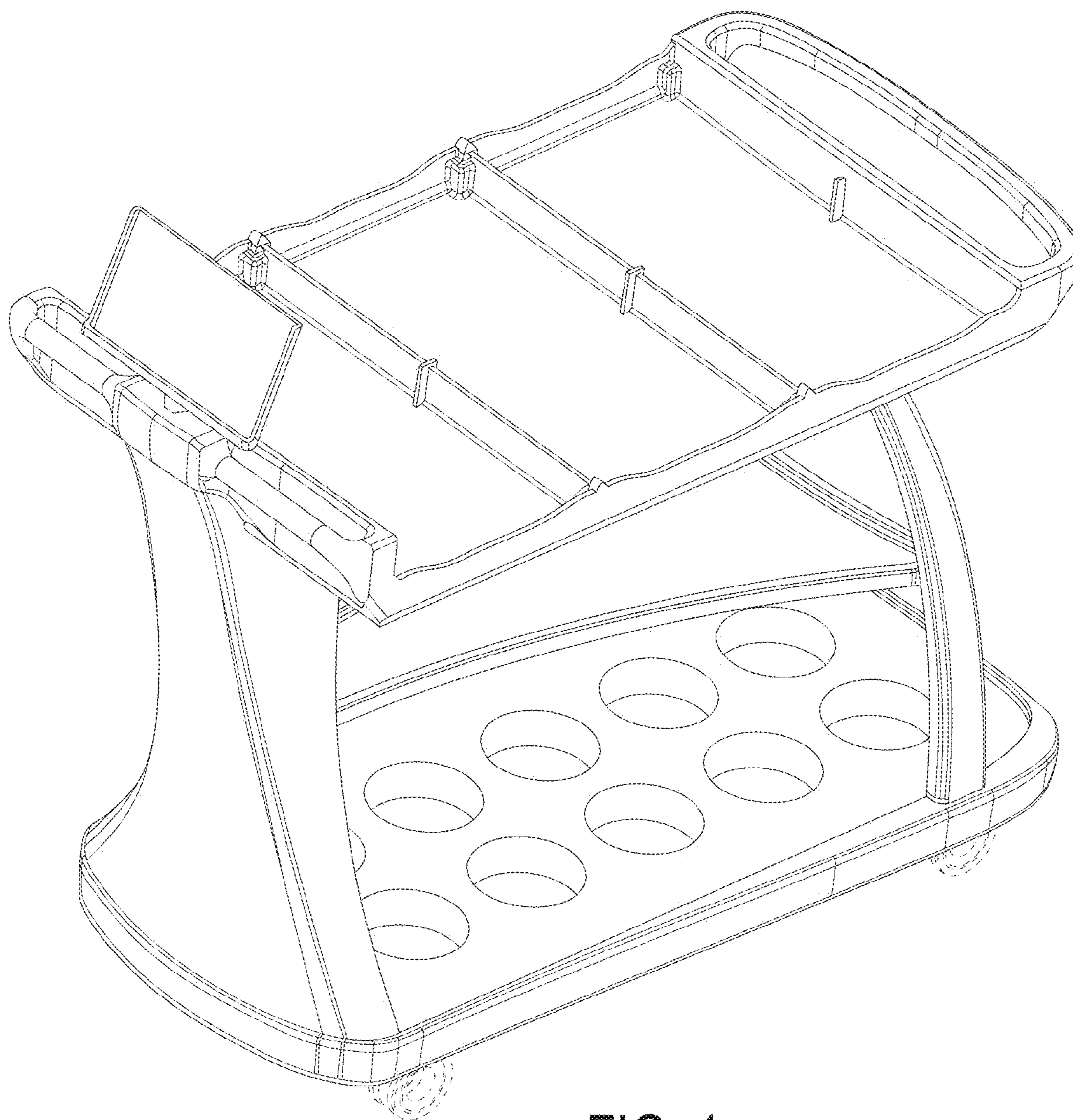


FIG. 1

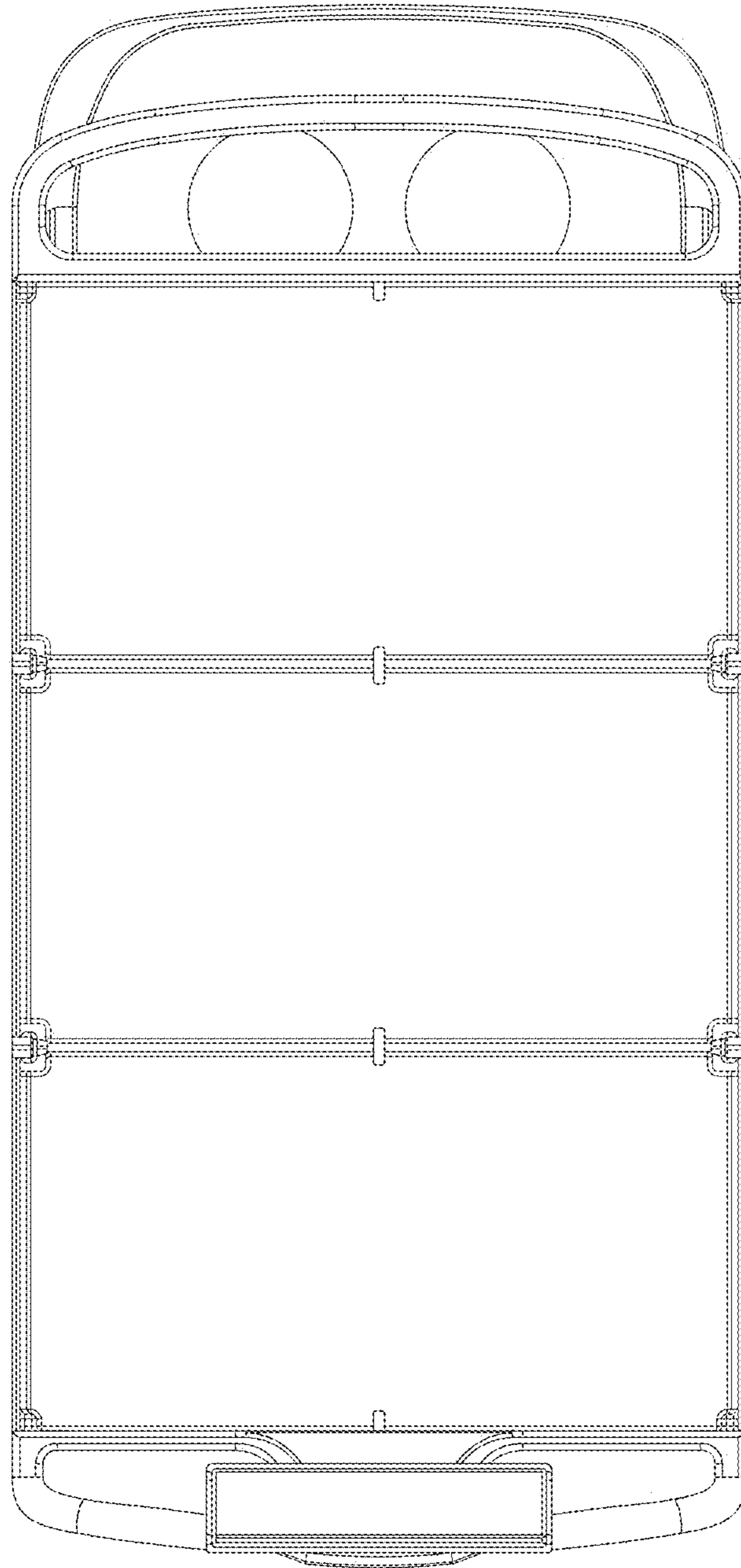


FIG. 2

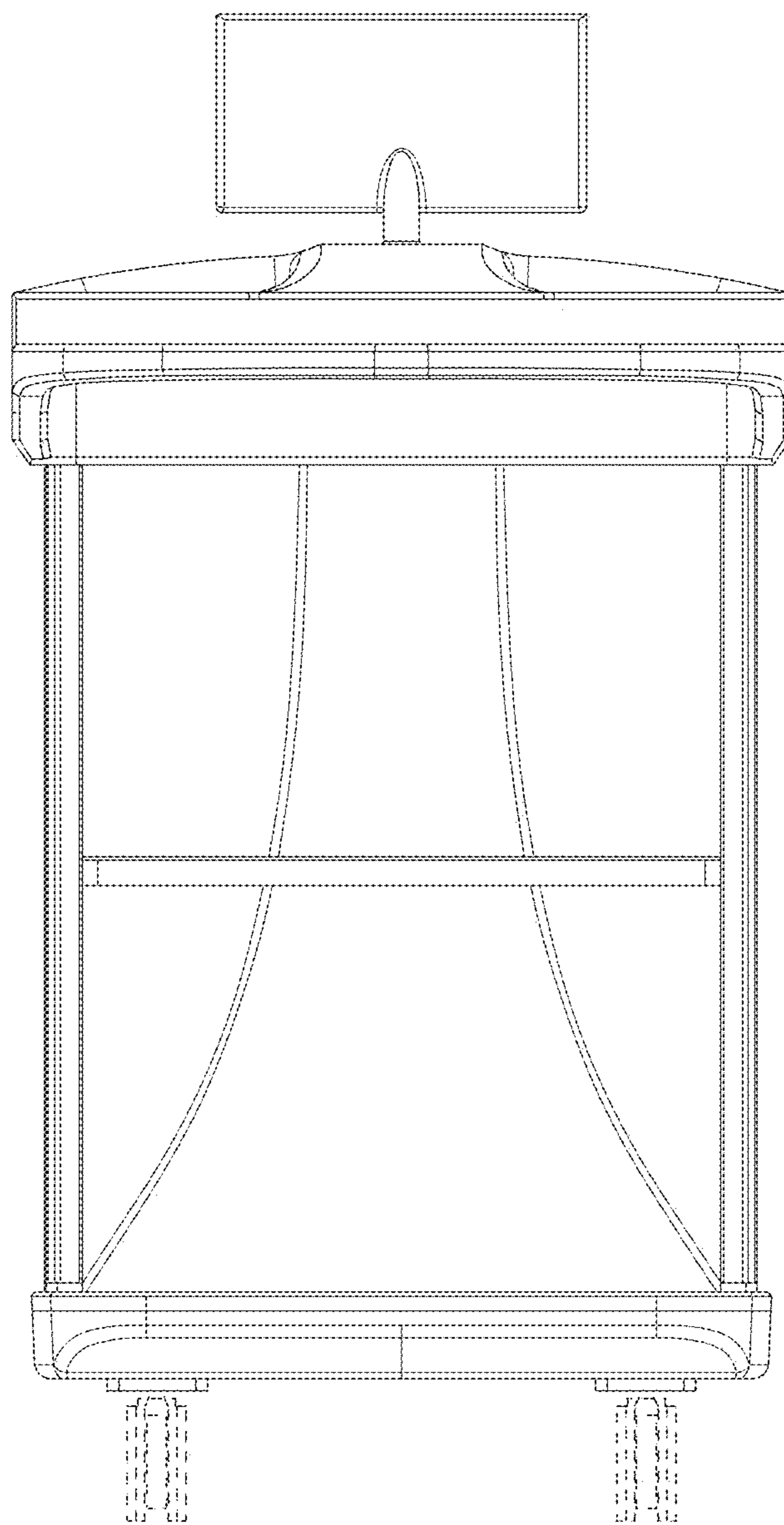


FIG. 3

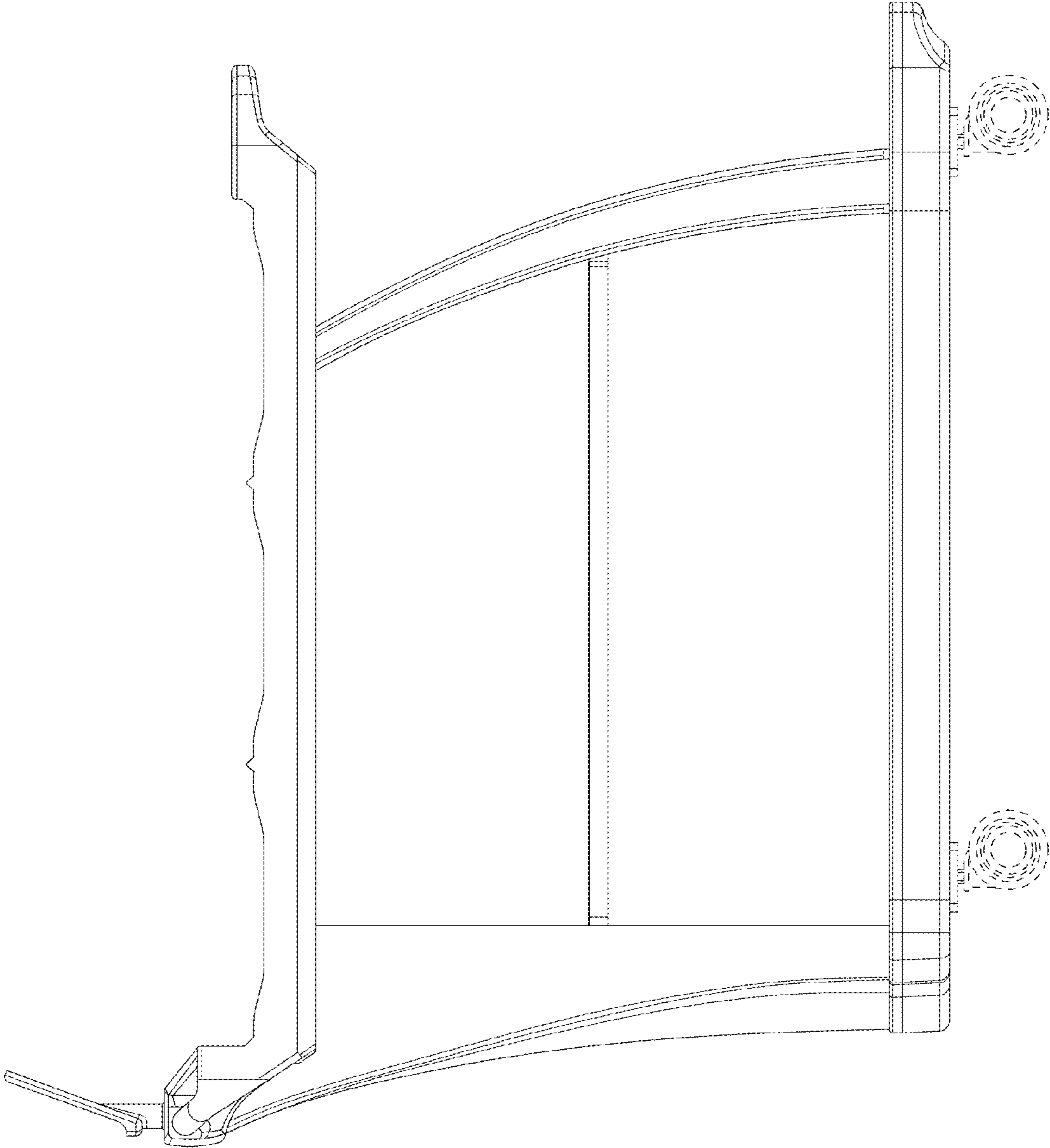


FIG. 5

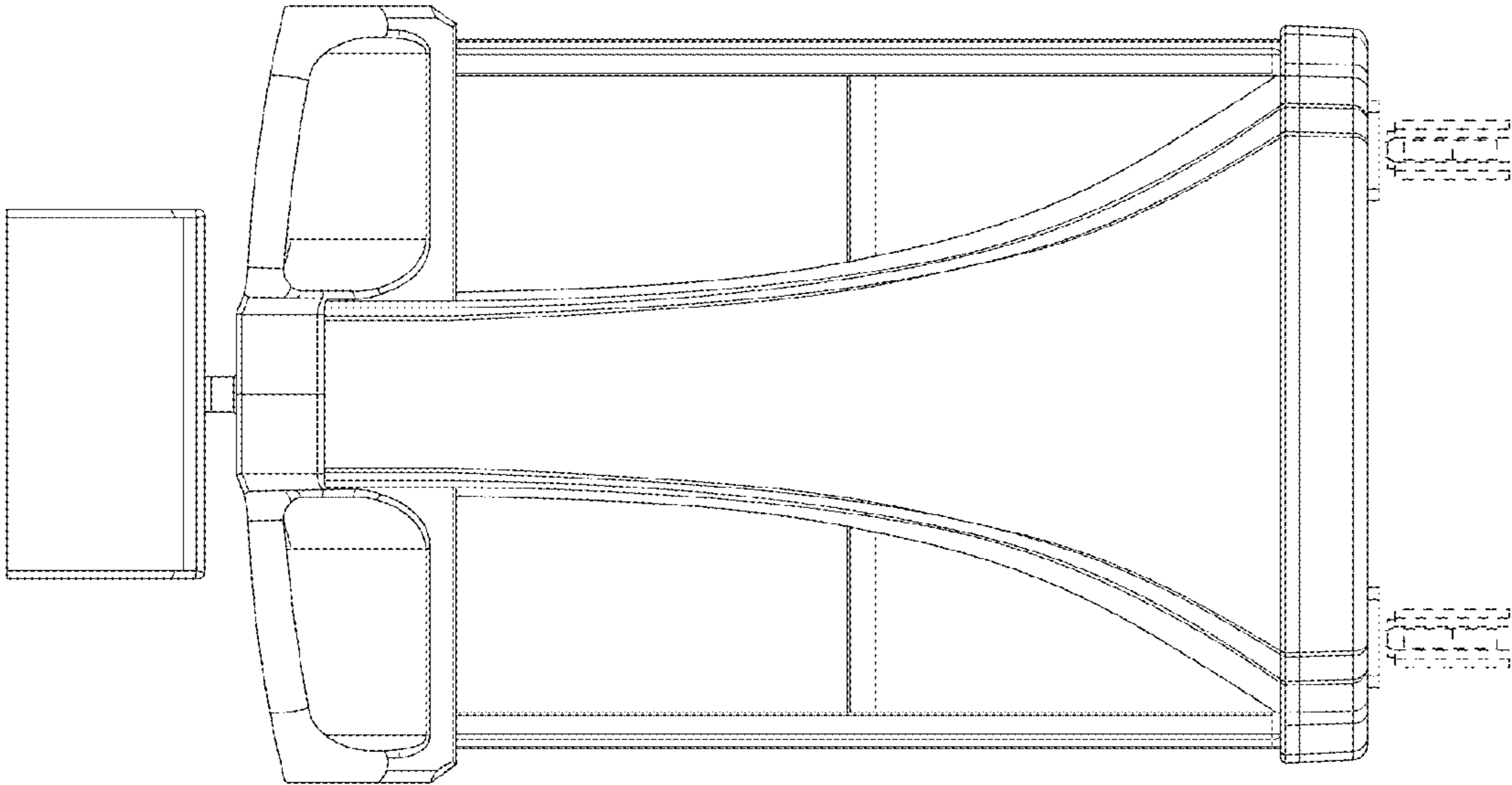


FIG. 4

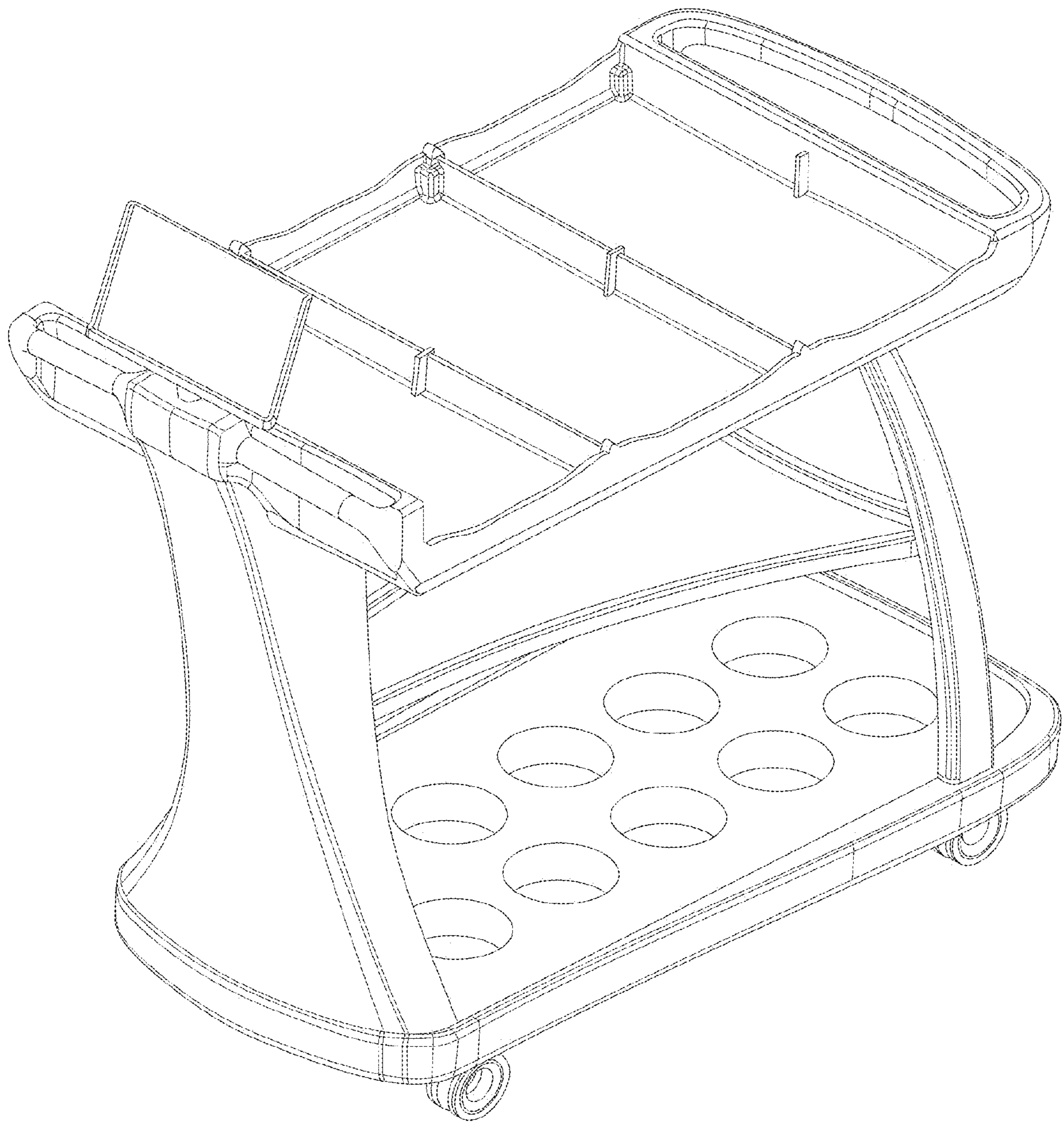


FIG. 6

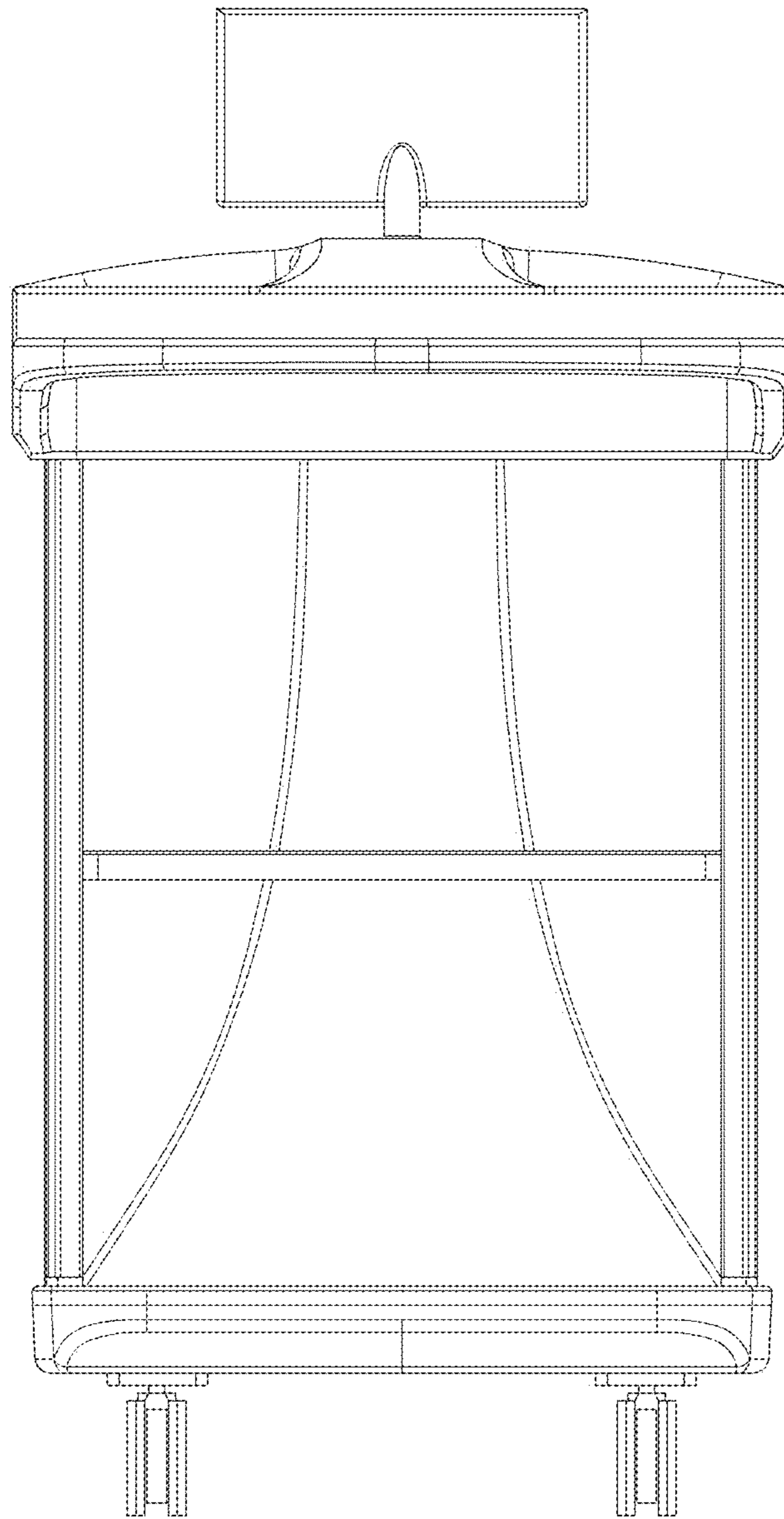


FIG. 7

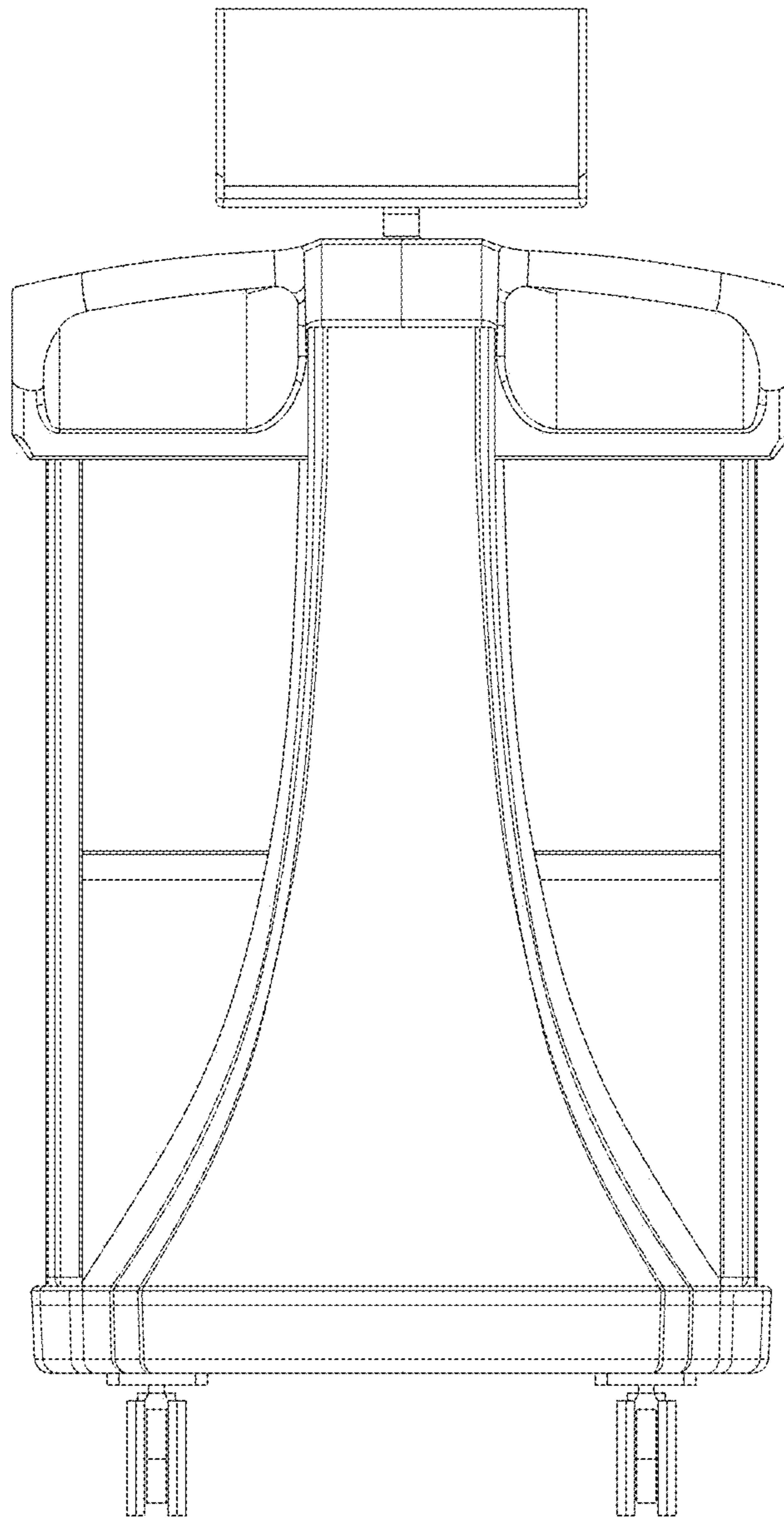


FIG. 8

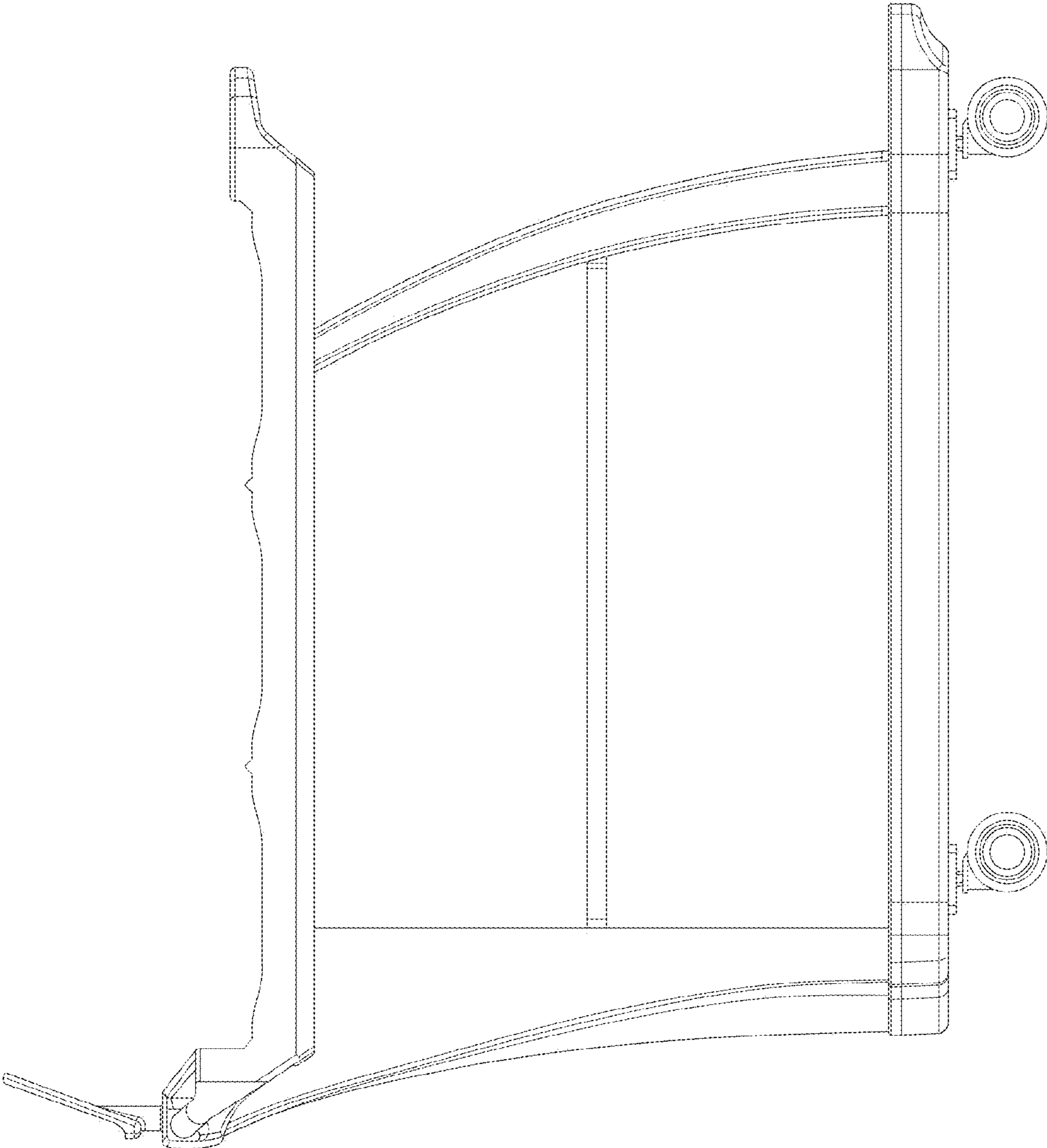


FIG. 9

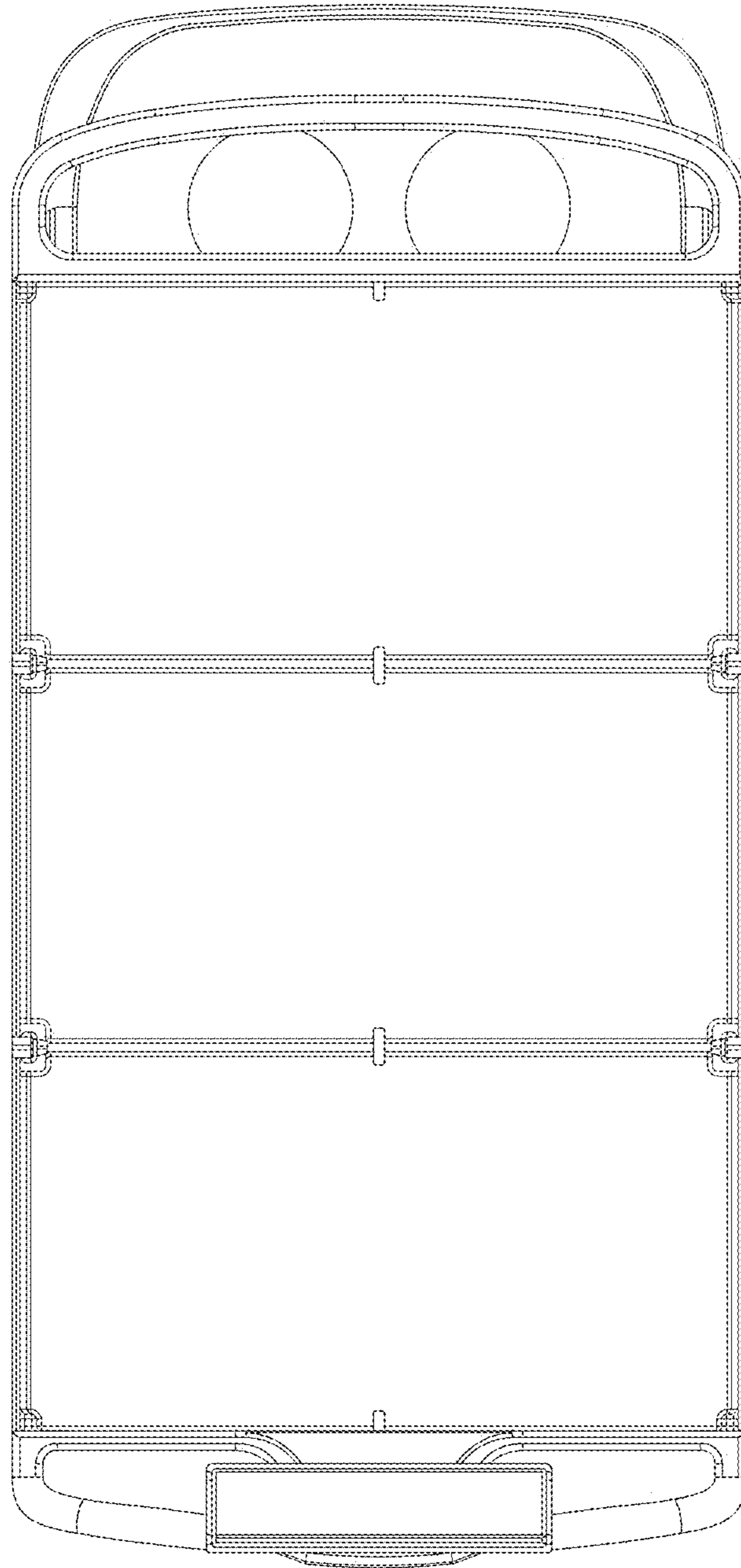


FIG. 10