



US00D880095S

(12) **United States Design Patent** (10) **Patent No.:** **US D880,095 S**
Hodge (45) **Date of Patent:** **** Mar. 31, 2020**

(54) **LID PROP FOR TRASH BIN** D639,937 S * 6/2011 Gray D24/128
8,505,170 B1 * 8/2013 Gray A45F 5/021
(71) Applicant: **Hodge Products, Inc.**, San Diego, CA 24/3.12
(US) D695,588 S * 12/2013 Cantwell D8/331
D703,516 S * 4/2014 Wood D8/370
(72) Inventor: **Anthony A. Hodge**, San Diego, CA D731,877 S * 6/2015 Hanson D30/161
(US) 9,296,506 B2 * 3/2016 Cundy B65B 67/1227
9,580,243 B2 2/2017 Reeb
(73) Assignee: **Hodge Products, Inc.**, San Diego, CA D800,537 S * 10/2017 Harris D8/354
(US) D863,905 S * 10/2019 Dankert D8/44
2004/0232288 A1 * 11/2004 Kung B65B 67/1233
248/99

(**) Term: **15 Years**

* cited by examiner

(21) Appl. No.: **29/660,289**

Primary Examiner — Cynthia Ramirez

(22) Filed: **Aug. 20, 2018**

Assistant Examiner — Gino Colan

(51) **LOC (12) Cl.** **09-09**

(74) *Attorney, Agent, or Firm* — Procopio Cory

(52) **U.S. Cl.**

Hargreaves and Savitch LLP

USPC **D34/10**

(57) **CLAIM**

(58) **Field of Classification Search**

The ornamental design for a lid prop for trash bin, as shown and described.

USPC D34/12–14, 17–27, 10, 5; 220/831, 379,
220/744, 324, 4.33, 7, 826; 248/213–215,
248/99; 257/727; D8/370, 331, 44, 354;
D30/161; D24/128

DESCRIPTION

CPC E05C 17/085; E05C 17/24; B65F
2001/1669; F16B 2/20; F16B 45/00;
F16B 5/06; A61B 17/122

FIG. 1 is a perspective view of a lid prop for trash bin showing my new design, applied to a lid of a trash bin; FIG. 2 is a perspective view thereof, applied to a lid of a dumpster trash bin; FIG. 3 is a perspective view thereof; FIG. 4 is a front elevational view thereof; FIG. 5 is a rear elevational view thereof; FIG. 6 is a right side elevational view thereof, the left side elevational view being a mirror image of FIG. 6; FIG. 7 is a top plan view thereof; and, FIG. 8 is a bottom plan view thereof.

See application file for complete search history.

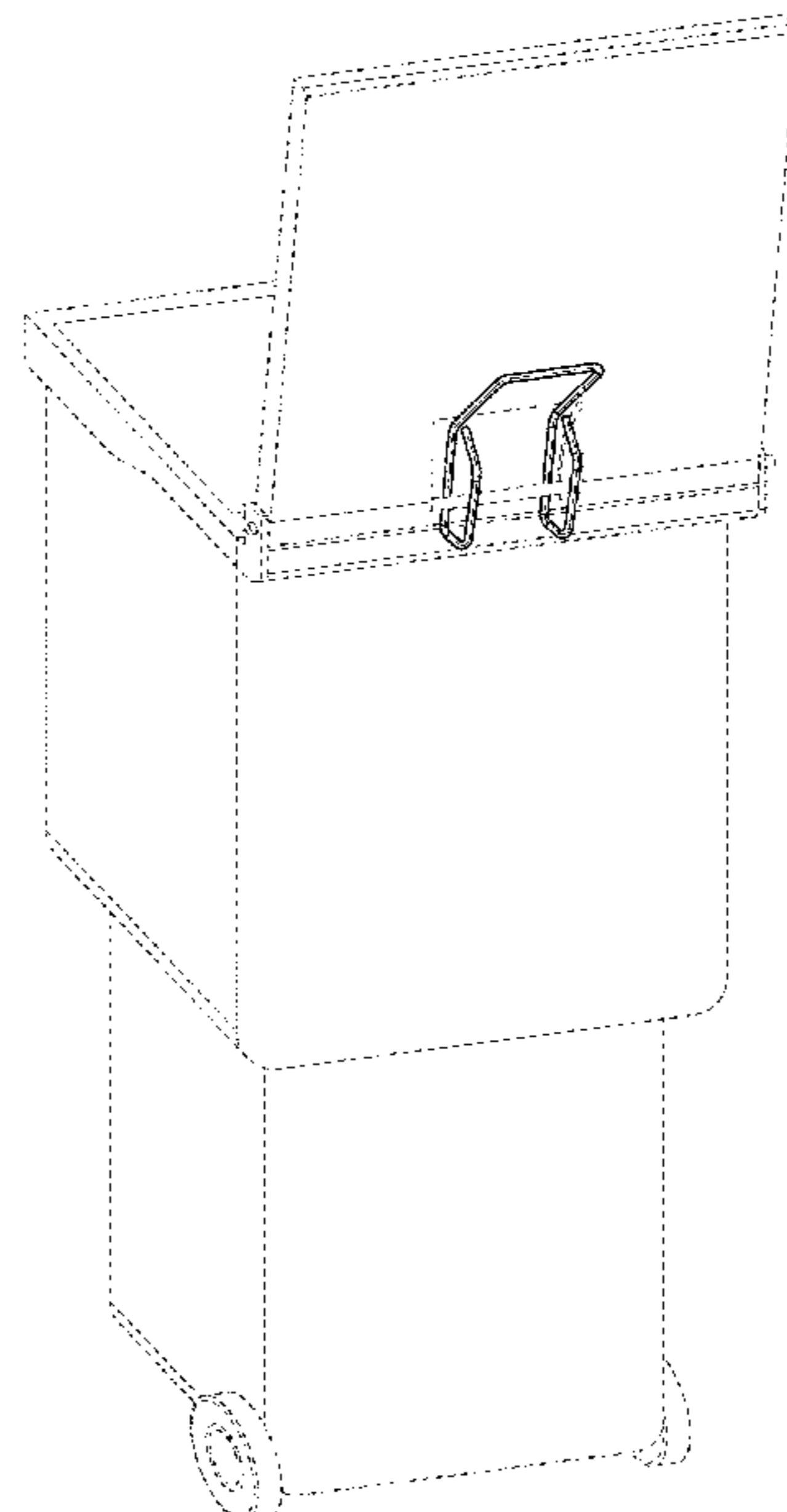
The broken lines shown in the figures are for the purpose of illustrating environment and form no part of the claimed design.

(56) **References Cited**

U.S. PATENT DOCUMENTS

1,791,696 A * 2/1931 Alexander A47K 3/30
248/214
2,098,374 A * 11/1937 Bullock A47J 47/20
248/214
D300,804 S * 4/1989 Myers D34/5
5,595,317 A 1/1997 Hodge
D423,336 S * 4/2000 Gray D8/370
6,276,562 B1 8/2001 Hodge et al.
D587,875 S * 3/2009 Hodge D34/10

1 Claim, 4 Drawing Sheets



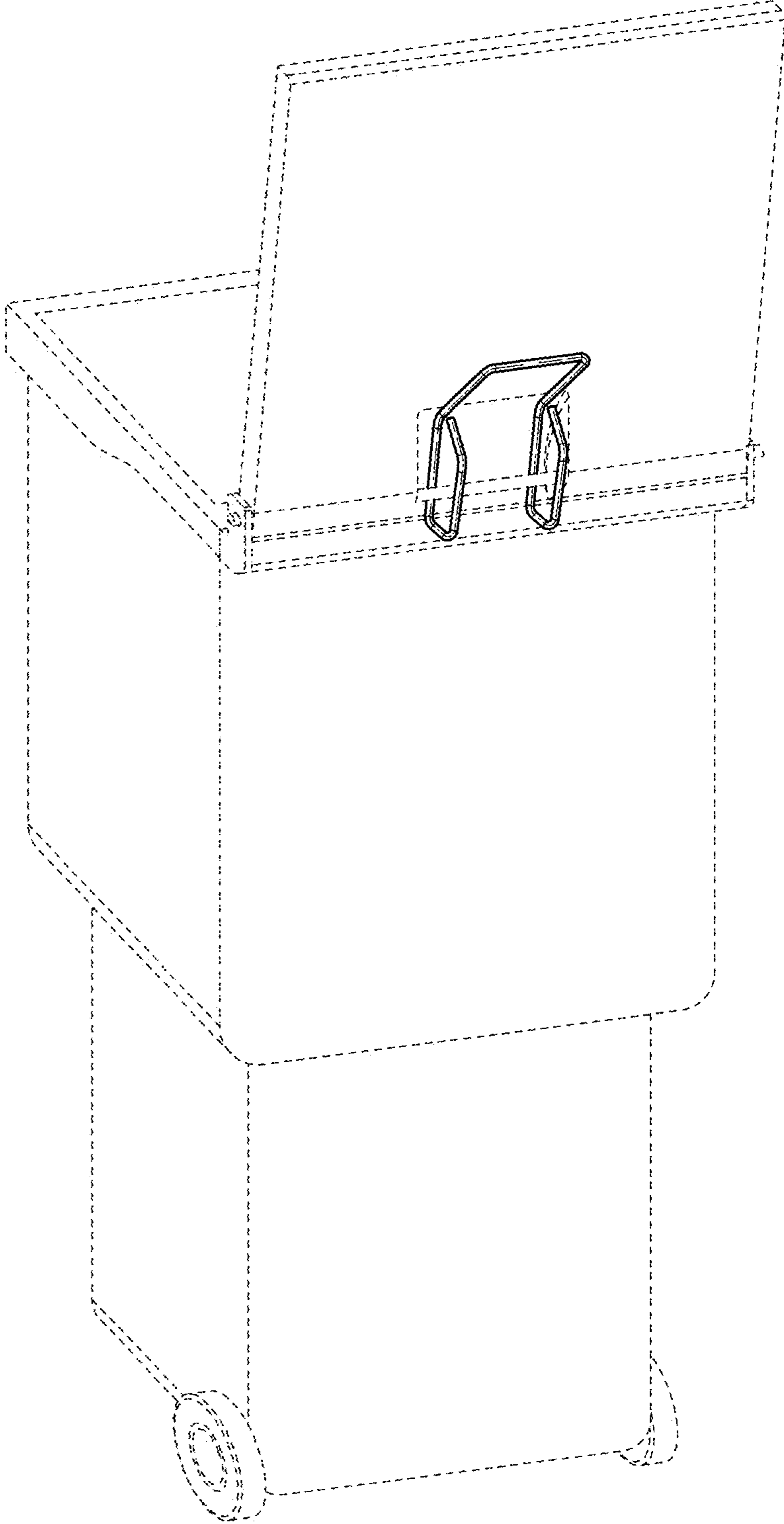


FIG. 1

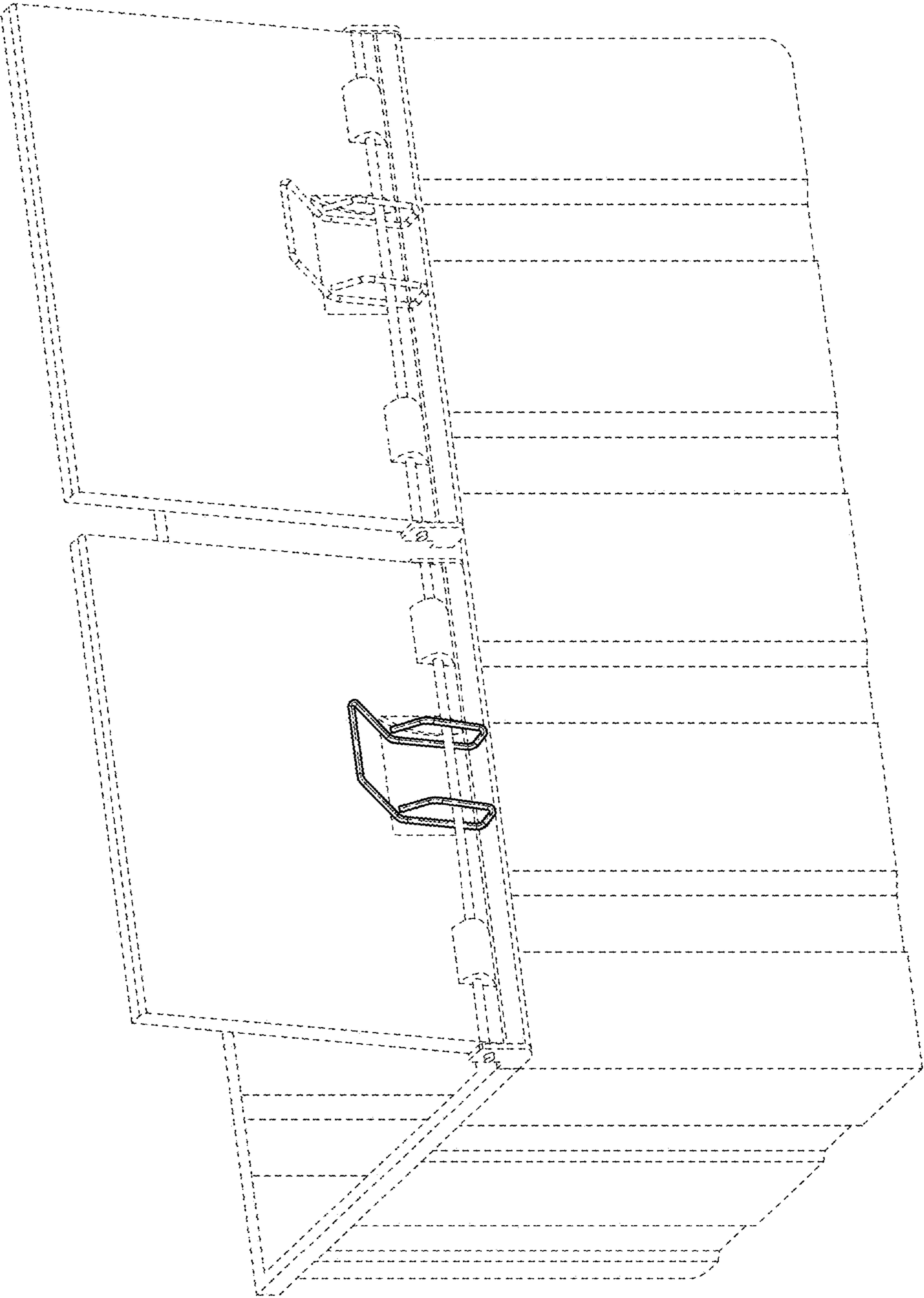


FIG. 2

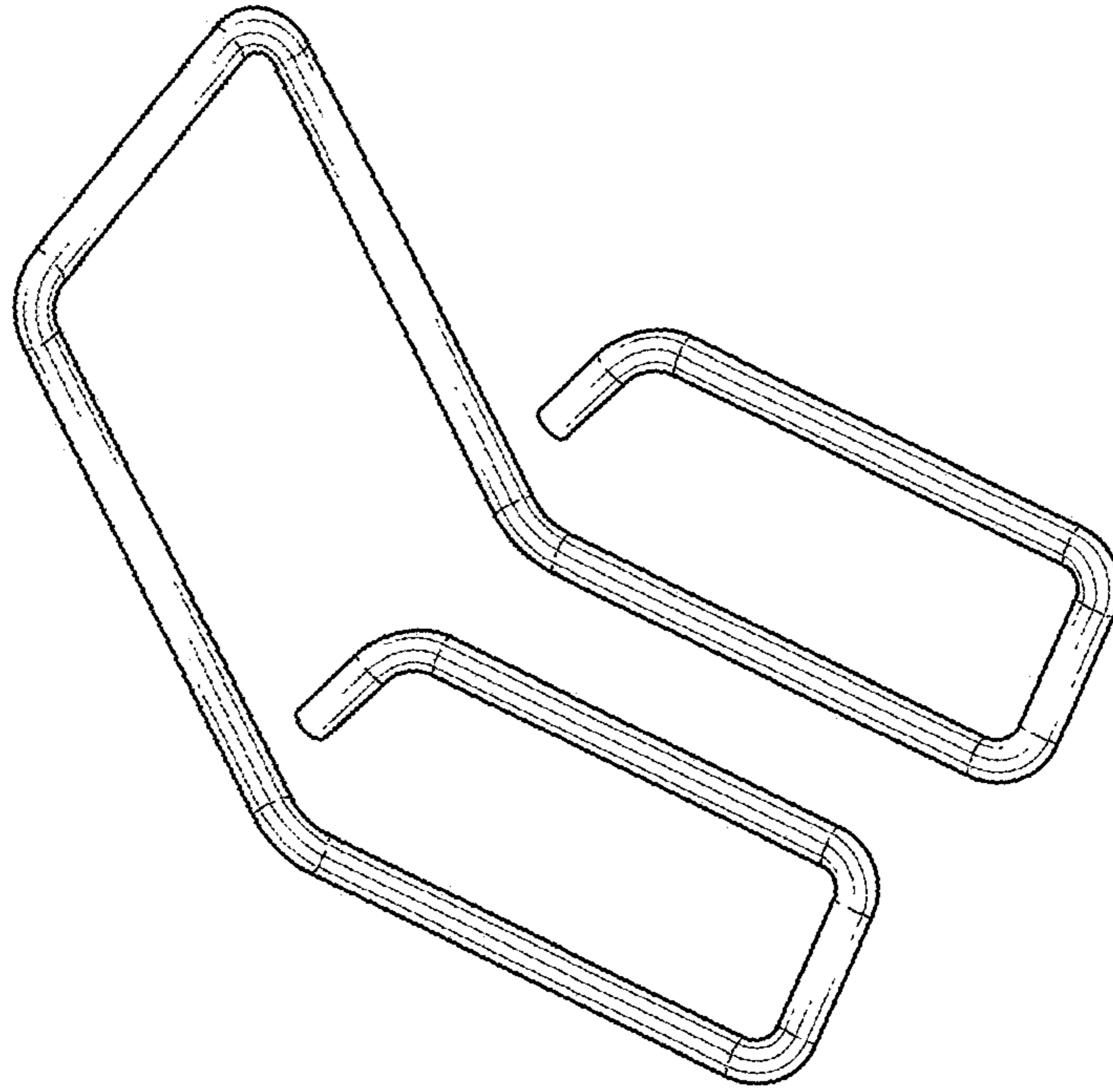


FIG. 3

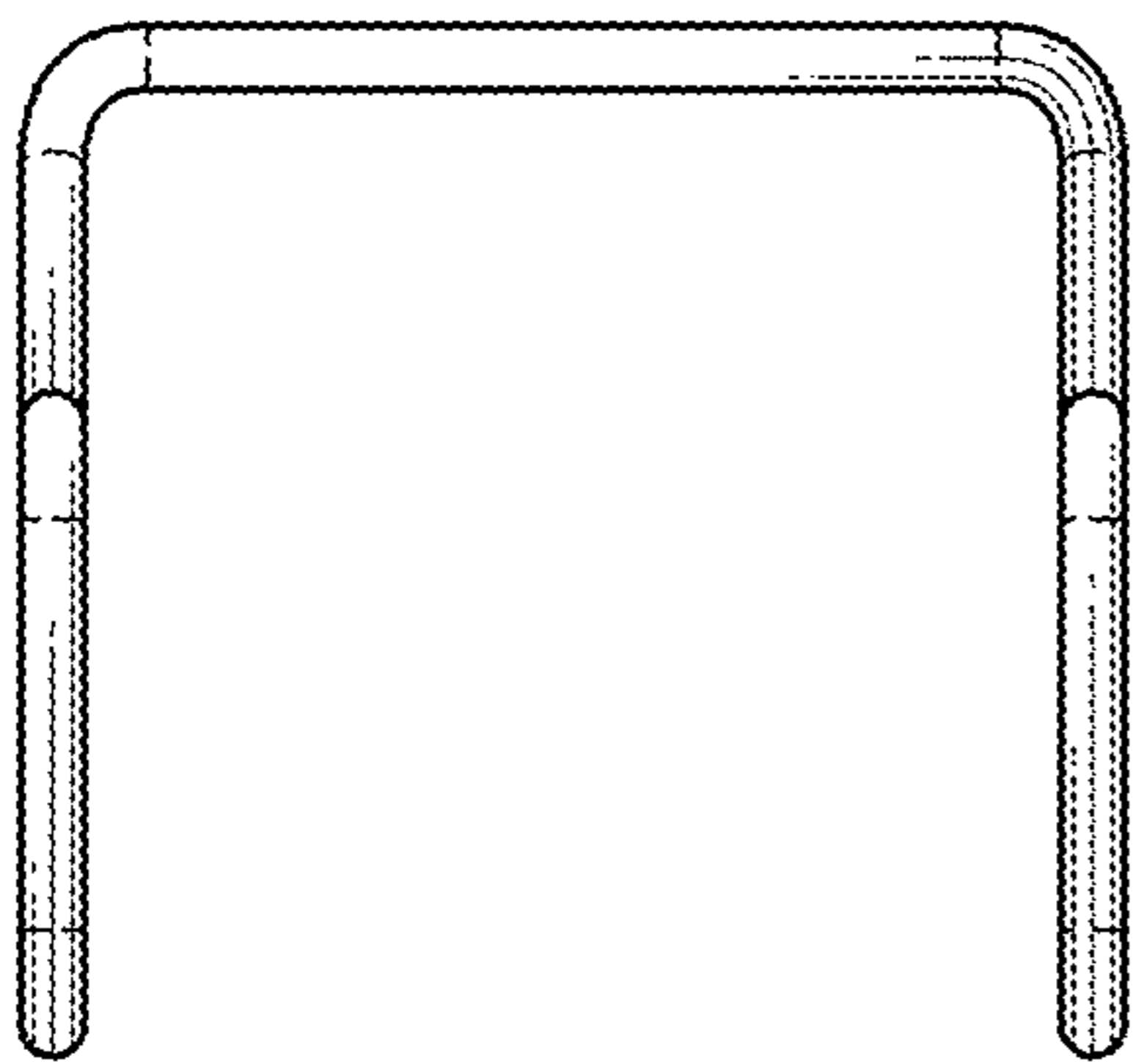


FIG. 4

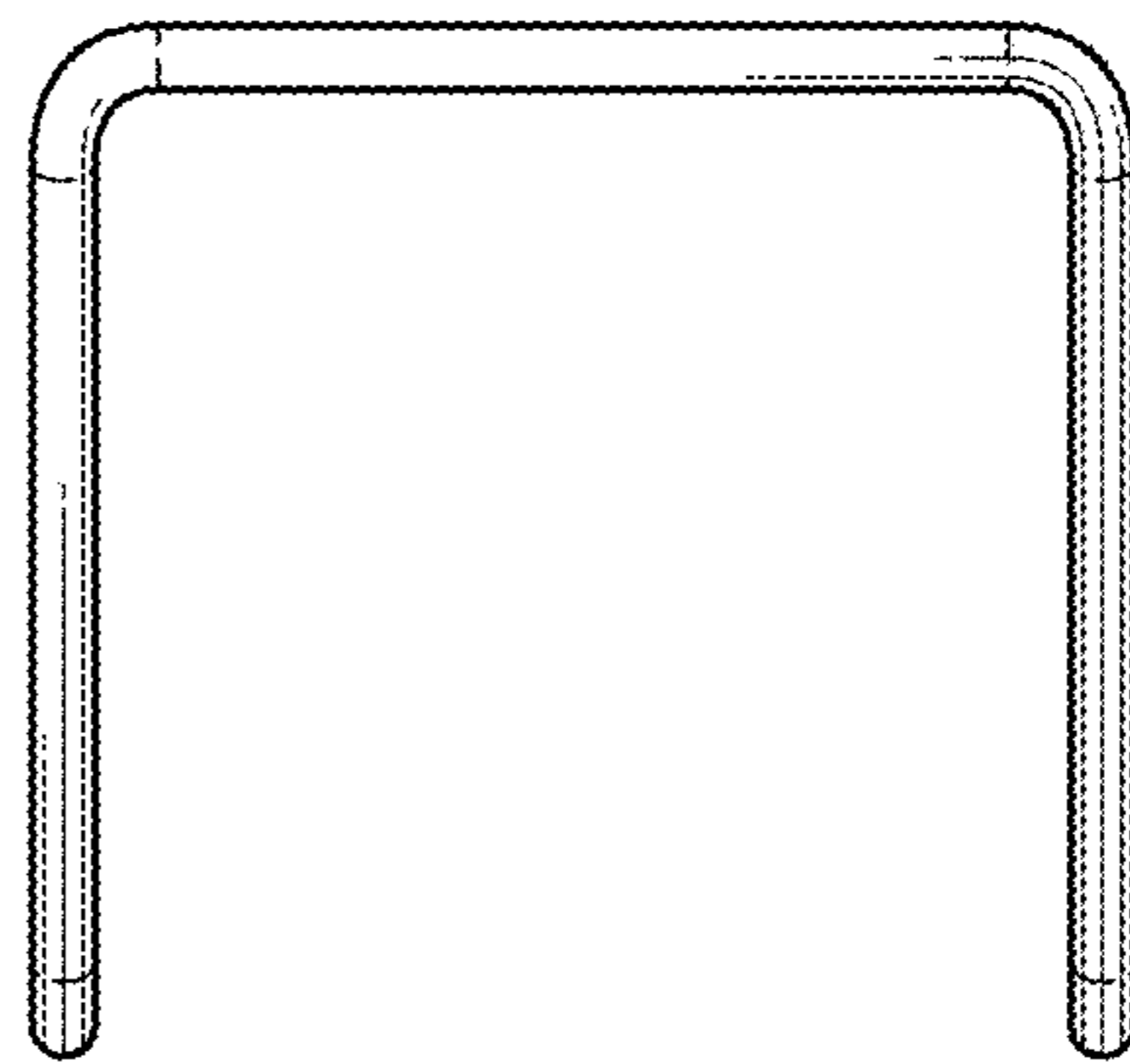


FIG. 5

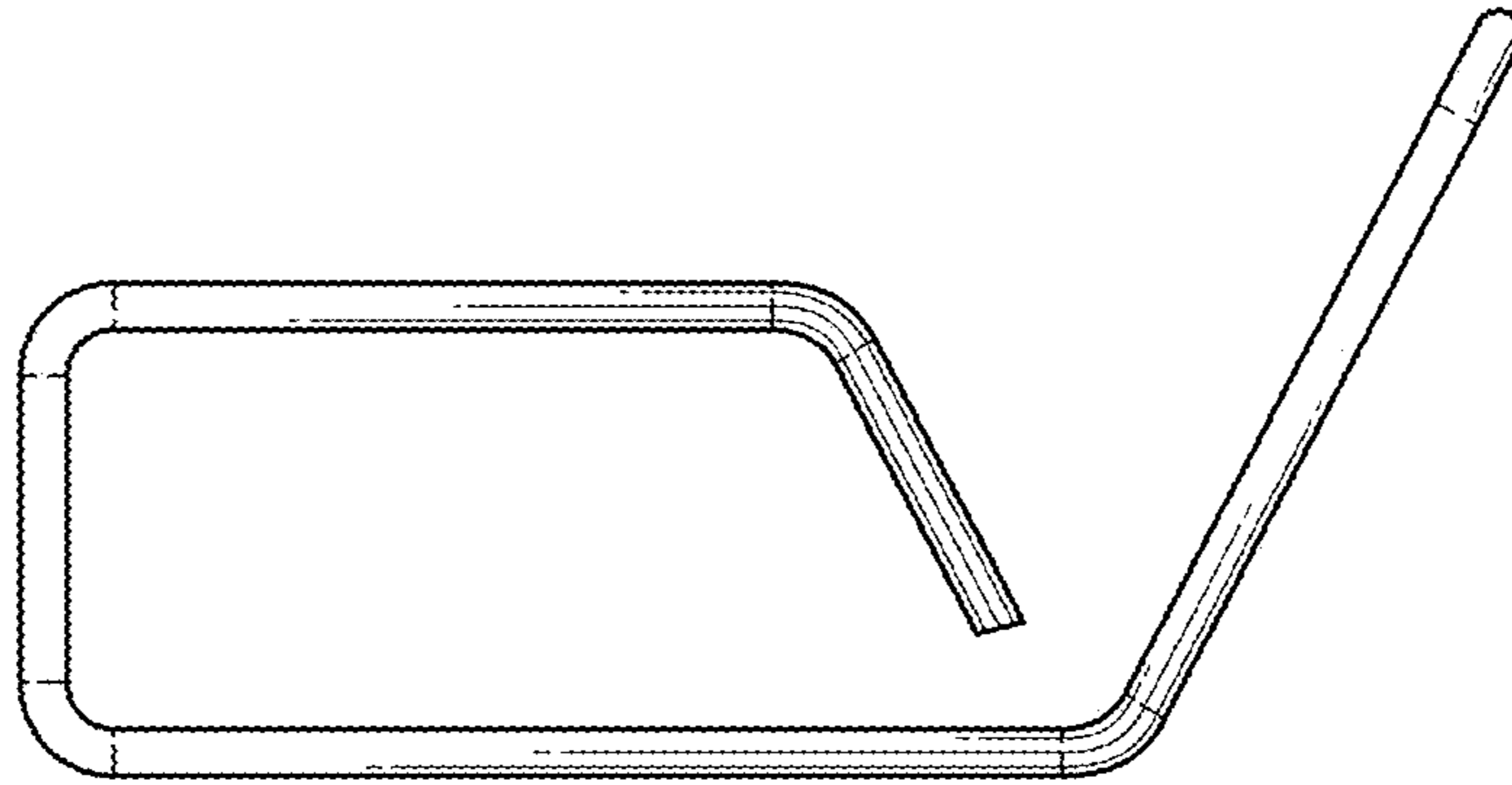


FIG. 6

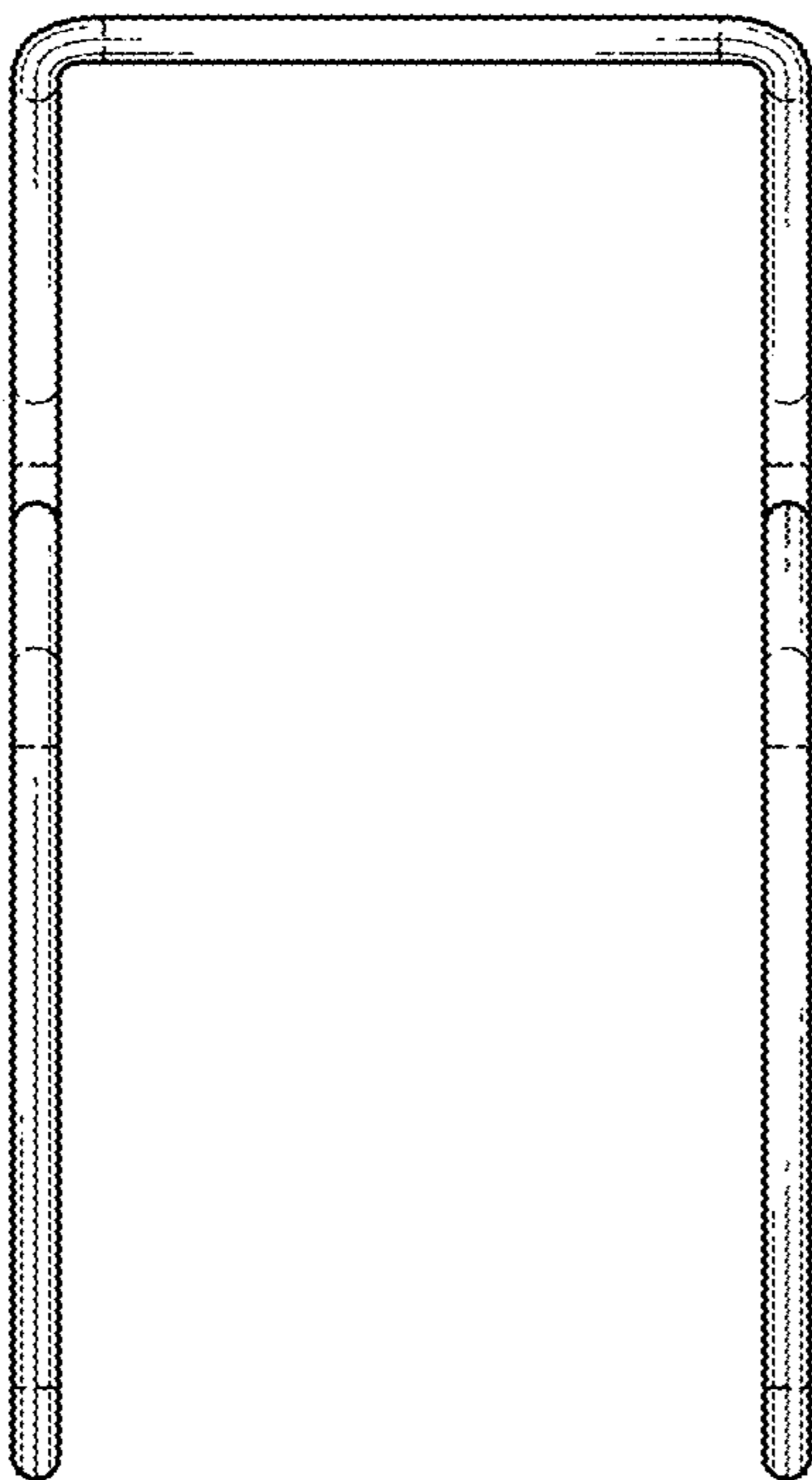


FIG. 7

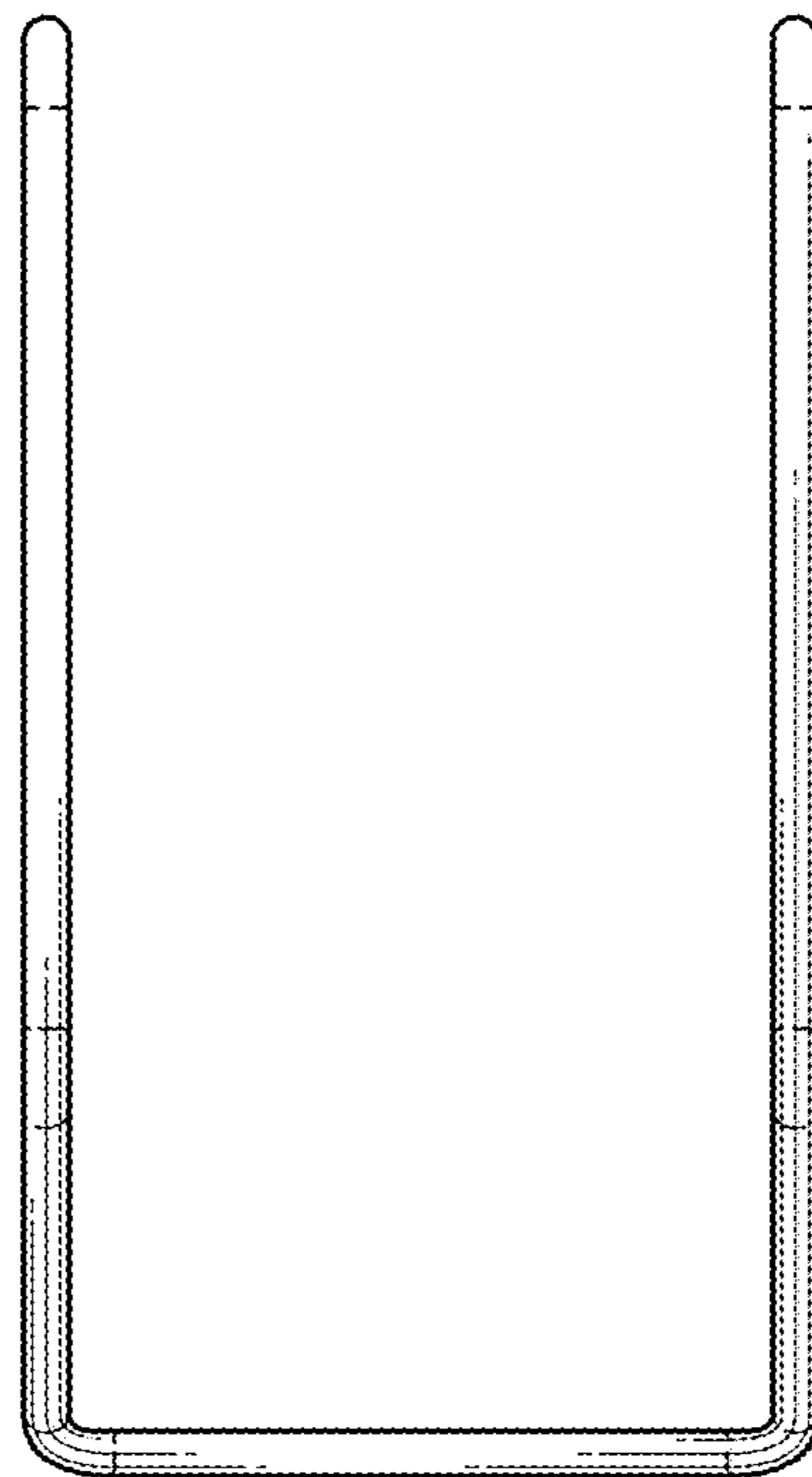


FIG. 8