



US00D880092S

(12) **United States Design Patent**  
**Harris**

(10) **Patent No.:** **US D880,092 S**

(45) **Date of Patent:** **\*\* \*Mar. 31, 2020**

(54) **BRA HOLDER WASHABLE CASE**

(71) Applicant: **Annie Harris**, Houston, TX (US)

(72) Inventor: **Annie Harris**, Houston, TX (US)

(\*) Notice: This patent is subject to a terminal disclaimer.

(\*\*) Term: **15 Years**

(21) Appl. No.: **29/584,714**

(22) Filed: **Nov. 16, 2016**

(51) **LOC (12) Cl.** ..... **07-05**

(52) **U.S. Cl.**  
USPC ..... **D32/36**

(58) **Field of Classification Search**  
USPC ..... D32/26, 37, 29, 35, 36; D3/243, 293,  
D3/301; D2/639; 224/223; 190/109;  
150/112  
CPC ..... A45C 7/0086; A45C 13/02  
See application file for complete search history.

(56) **References Cited**

**U.S. PATENT DOCUMENTS**

D116,977 S	*	10/1939	Bellau	.....	D3/301
D237,752 S	*	11/1975	Bauer	.....	D3/299
D292,843 S	*	11/1987	Frezza	.....	224/223
D299,789 S	*	2/1989	Merz	.....	D3/23
D351,279 S	*	10/1994	Montgomery	.....	D2/639
D497,051 S	*	10/2004	Nieves	.....	D3/301
D500,204 S	*	12/2004	Hillman	.....	D3/301
D528,298 S	*	9/2006	Vernon	.....	D3/293
D595,912 S	*	7/2009	Jensen	.....	D32/36
D669,268 S	*	10/2012	Phillips	.....	D3/301
D690,513 S	*	10/2013	Phillips	.....	D3/301

**OTHER PUBLICATIONS**

Picnic Set posted by Neue Galerie New York posted date May 14, 2014, © YouTube, [online], <https://www.youtube.com/watch?v=pTvJTGze-Tc> (Year: 2014).\*

Picnic Wallet Travel posted by Nissun posted date unknown, © BuddhaBlessU, [online], <https://www.buddhablessu.com/picnic-wallet-travel-bag-carrying-case-set-for-two-cutlery-carving-board-foldable.html> (Year: 2017).\*

Packing organizer posted by Hexin posted date Feb. 16, 2016, © Amazon, [online], [https://www.amazon.com/HEXIN-Packing-Travel-Organizers-Weekend/dp/B01HM6HWQE/ref=sr\\_1\\_1\\_mc?s=apparel&ie=UTF8&qid=1508965043&sr=1-1&keywords=hexin+packing](https://www.amazon.com/HEXIN-Packing-Travel-Organizers-Weekend/dp/B01HM6HWQE/ref=sr_1_1_mc?s=apparel&ie=UTF8&qid=1508965043&sr=1-1&keywords=hexin+packing) (Year: 2016).\*

\* cited by examiner

*Primary Examiner* — Cynthia Ramirez

*Assistant Examiner* — Laura H Yu

(74) *Attorney, Agent, or Firm* — Bruce A. Lev

(57) **CLAIM**

The ornamental design for a bra holder washable case, as shown and described.

**DESCRIPTION**

FIG. 1 is a perspective view of the bra holder washable case showing my new design;

FIG. 2 is a front elevation view thereof;

FIG. 3 is a rear elevation view thereof;

FIG. 4 is a left elevation view thereof;

FIG. 5 is a right elevation view thereof;

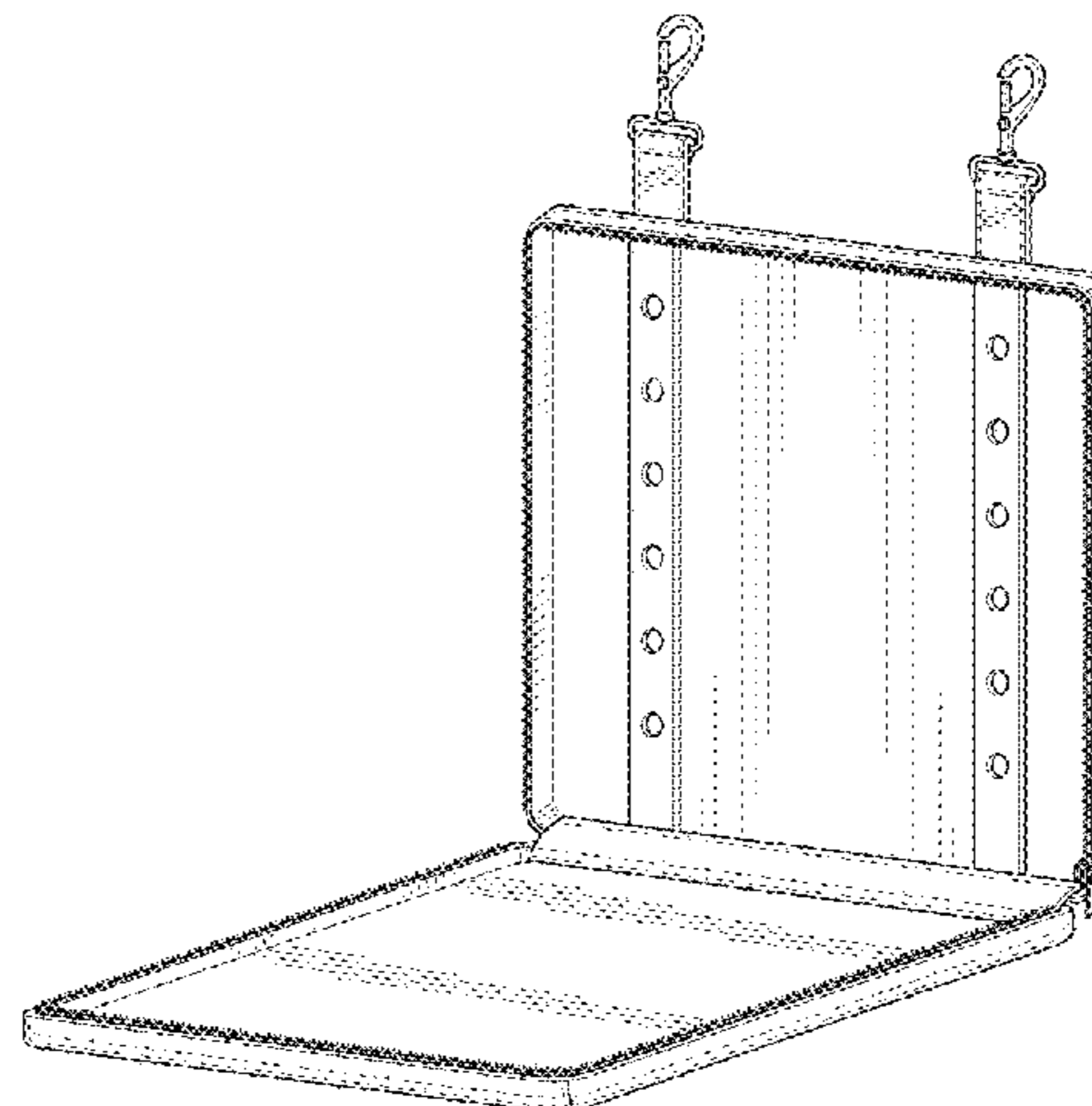
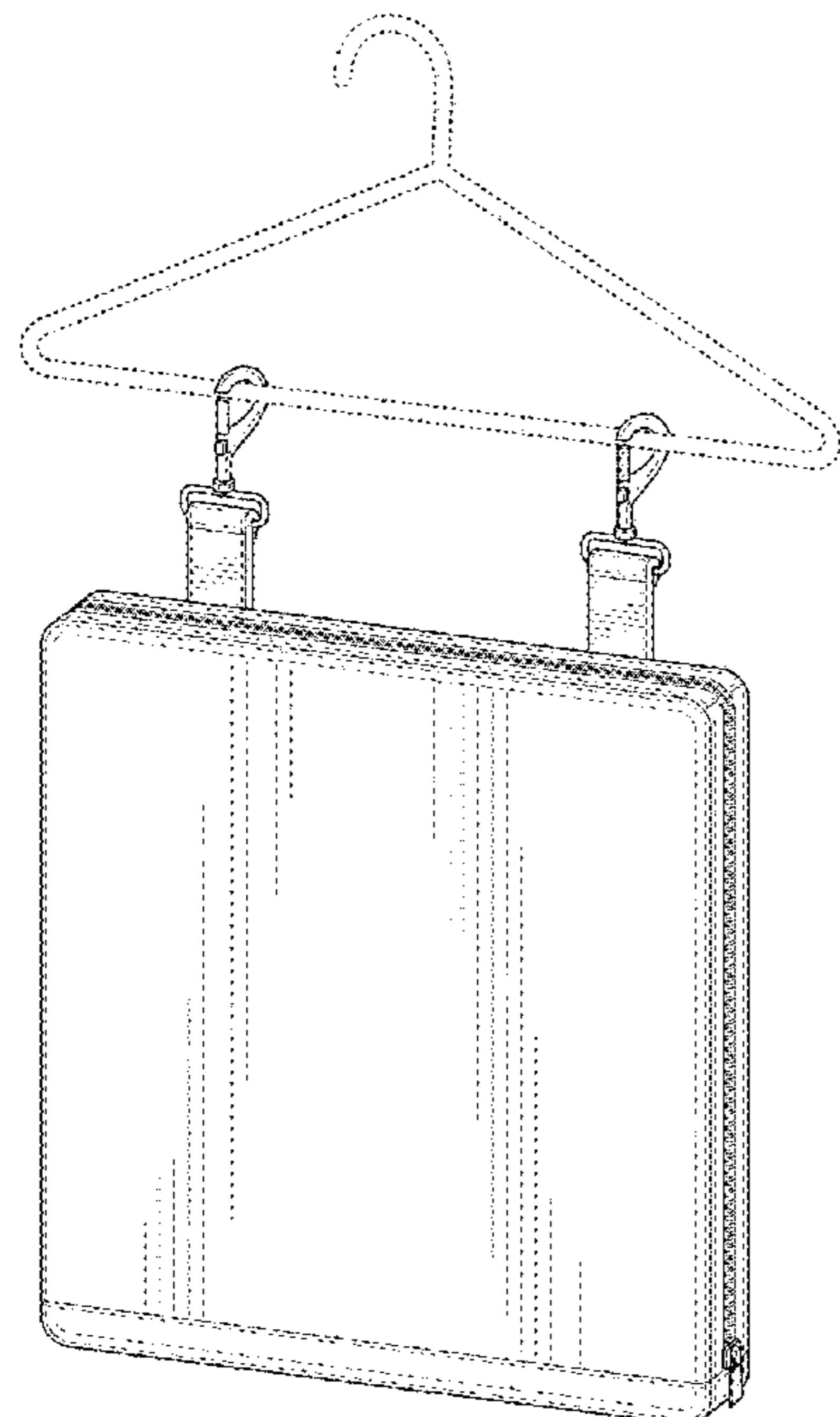
FIG. 6 is a bottom plan view thereof;

FIG. 7 is a top plan view thereof; and,

FIG. 8 is an open configuration view thereof.

The broken lines are included for depicting environmental subject matter and form no part of the claimed design.

**1 Claim, 6 Drawing Sheets**



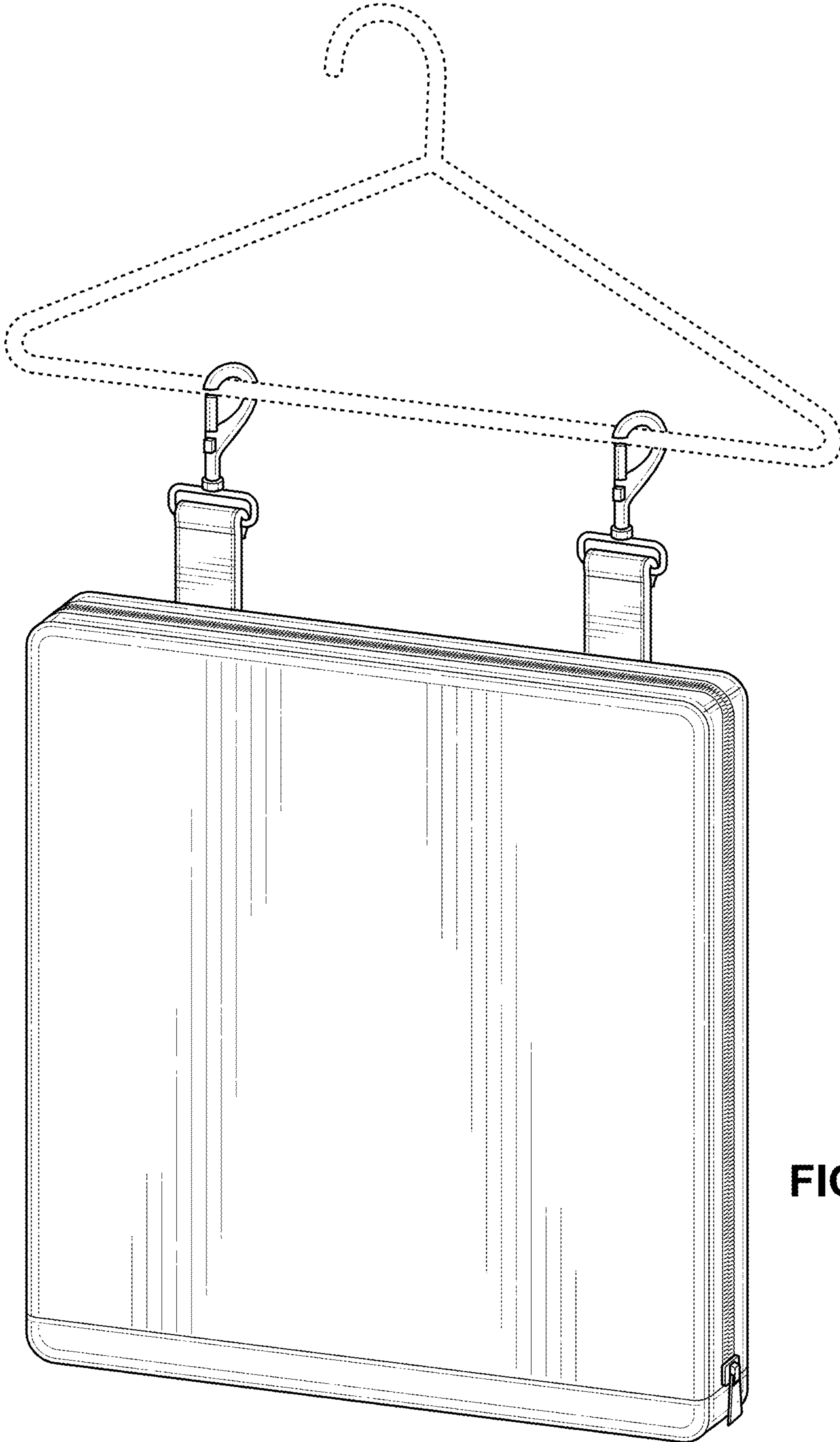


FIG. 1

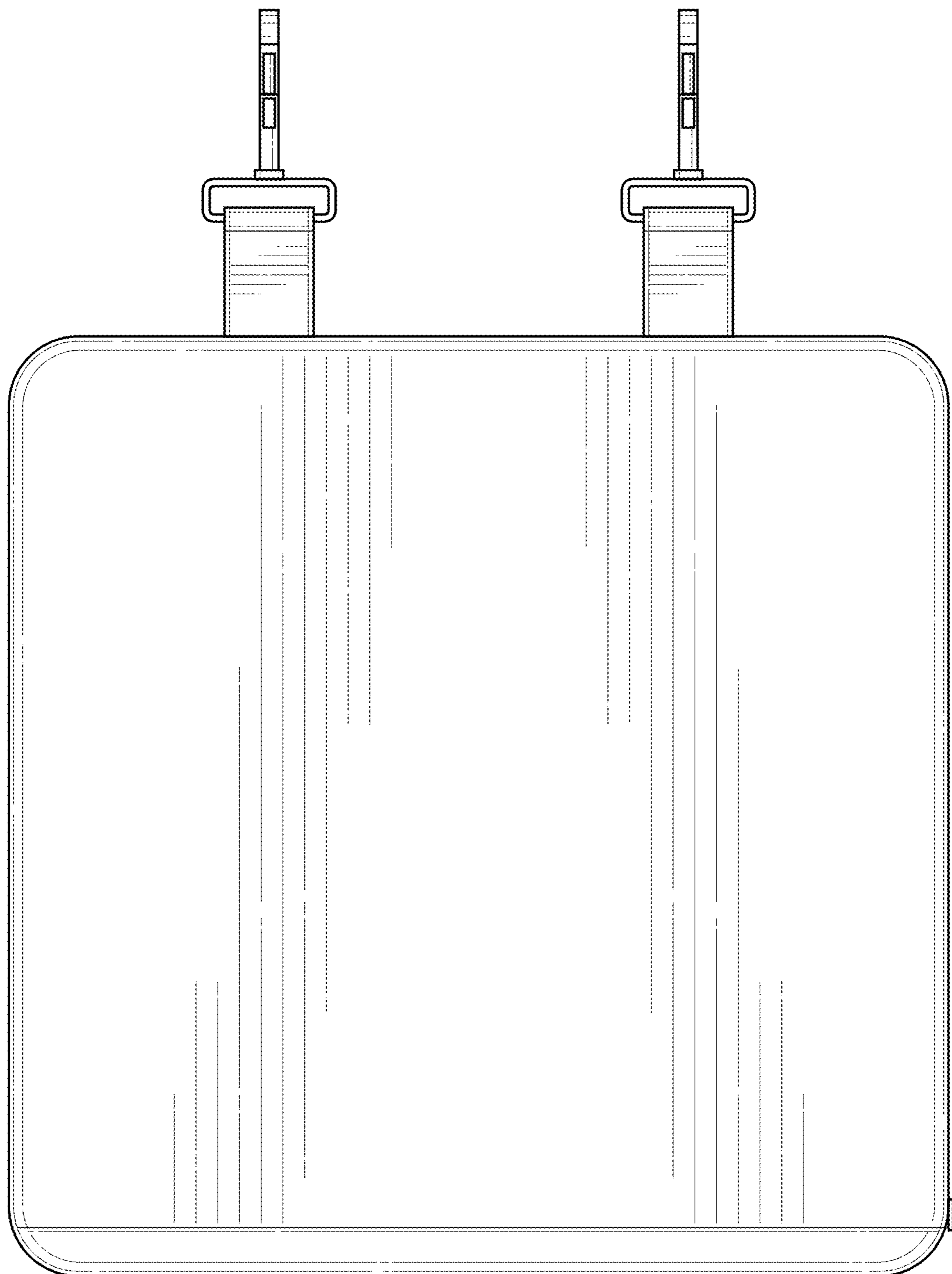


FIG. 2

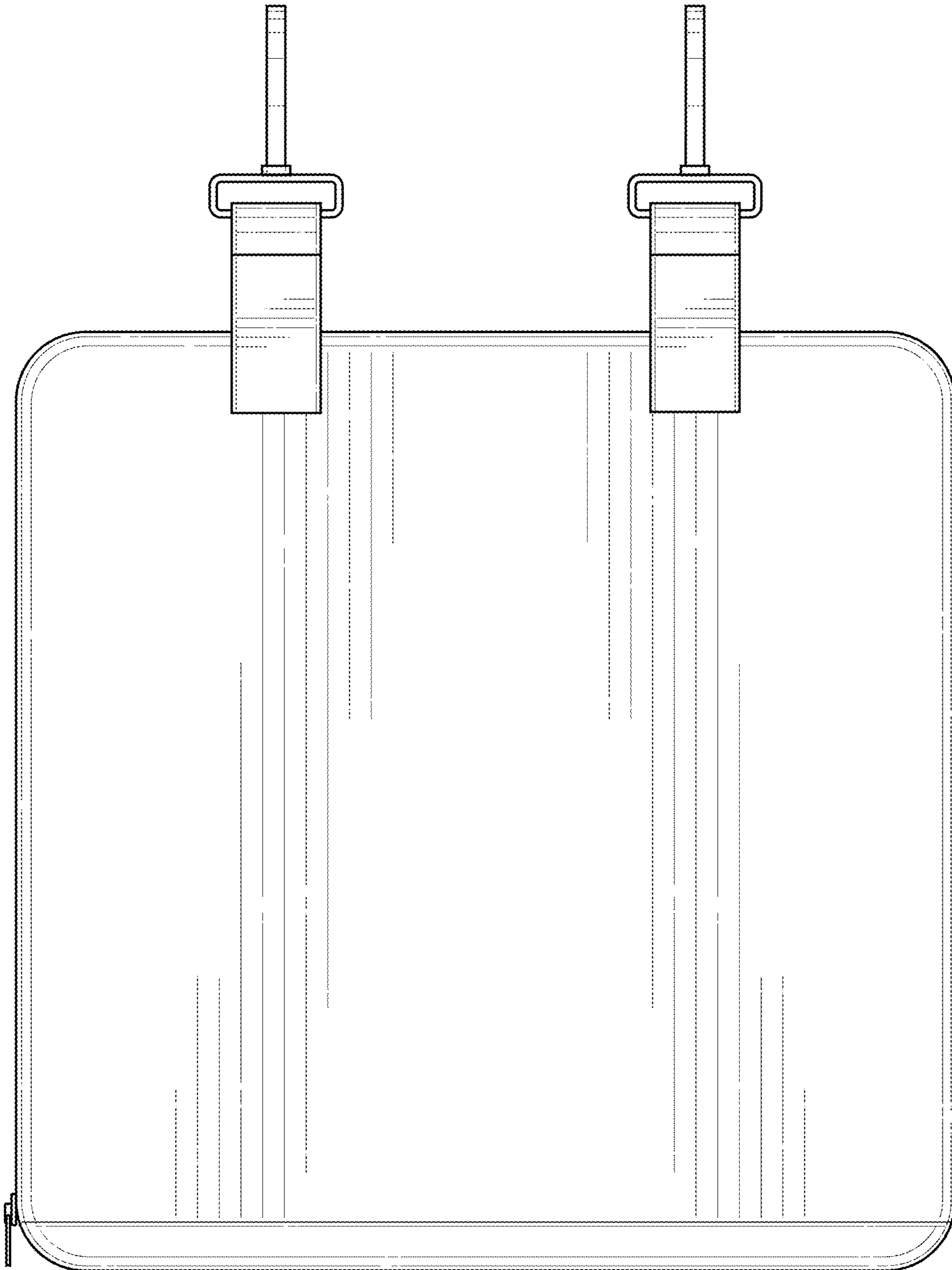


FIG. 3

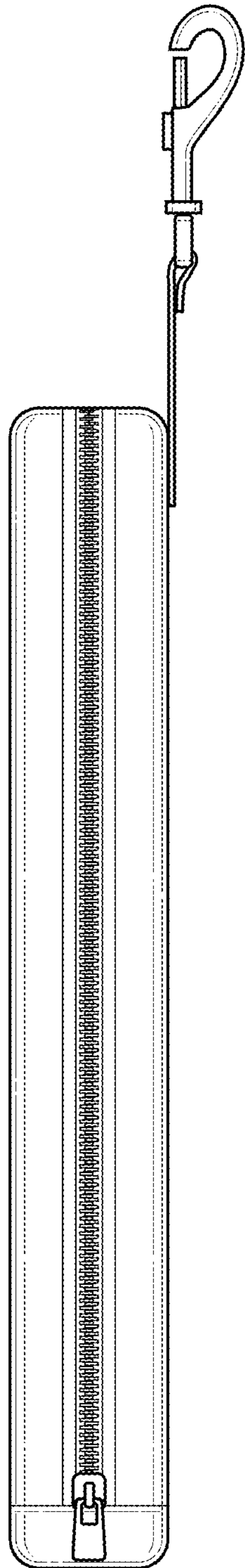


FIG. 4

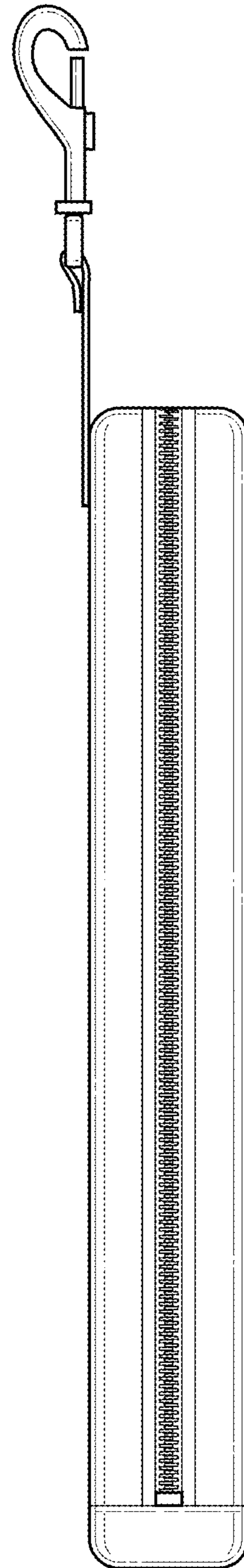


FIG. 5

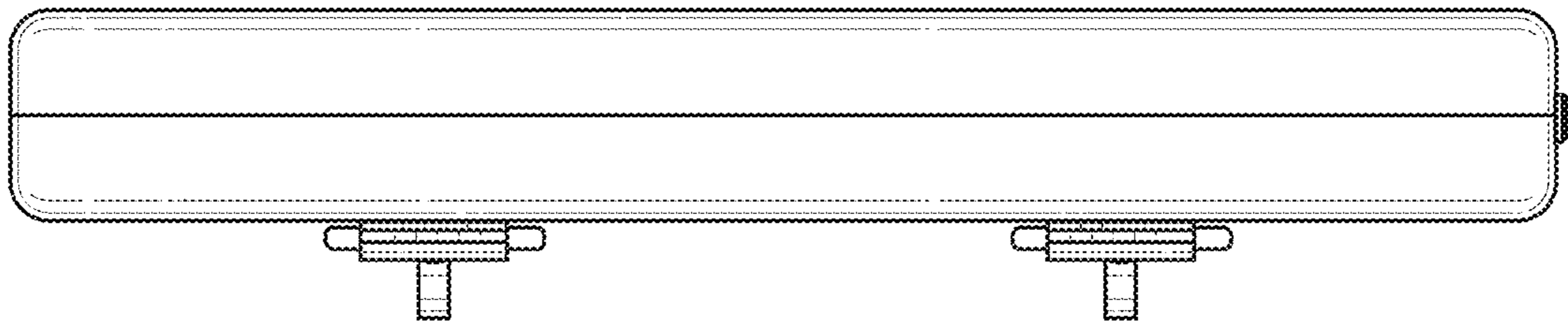


FIG. 6

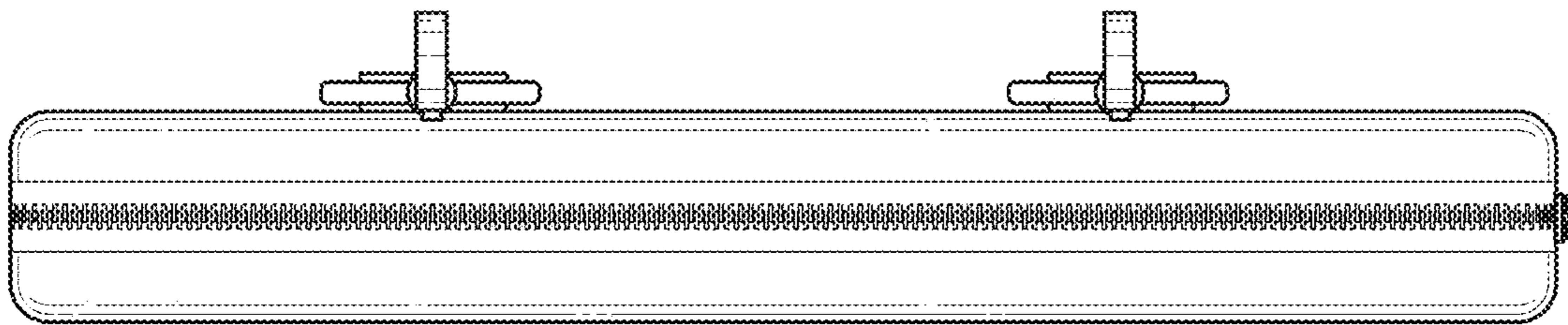


FIG. 7

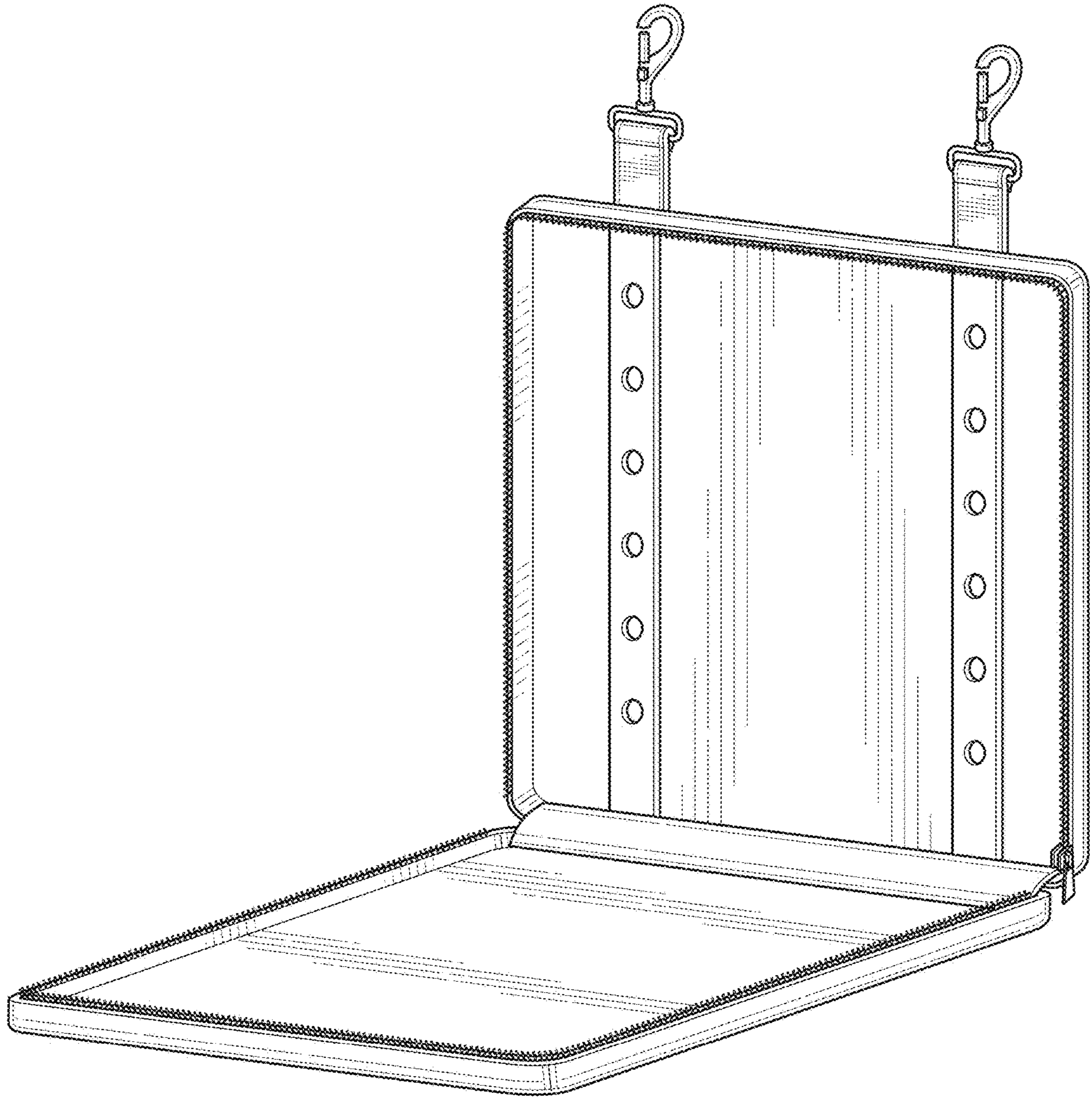


FIG. 8