



US00D880091S

(12) **United States Design Patent**  
**Tokoi**

(10) **Patent No.:** **US D880,091 S**  
(45) **Date of Patent:** **\*\* Mar. 31, 2020**

(54) **SUCTION HEAD FOR A VACUUM CLEANER**

FOREIGN PATENT DOCUMENTS

(71) Applicant: **IRIS OHYAMA INC.**, Sendai-shi,  
Miyagi (JP)

JP 1179797 S 7/2003  
JP 1530306 S 8/2015  
KR 30-0951914 S 4/2018

(72) Inventor: **Shohei Tokoi**, Kakuda (JP)

OTHER PUBLICATIONS

(73) Assignee: **IRIS OHYAMA INC.**, Sendai-shi (JP)

An Office Action issued by the Japanese Patent Office dated Jan. 8, 2019, which corresponds to Japanese Design Application No. 2018-011731 and is related to U.S. Appl. No. 29/671,773; with English language concise explanation.

(\*\*) Term: **15 Years**

(21) Appl. No.: **29/671,773**

\* cited by examiner

(22) Filed: **Nov. 29, 2018**

*Primary Examiner* — Ruth McInroy

(51) **LOC (12) Cl.** ..... **15-05**

(74) *Attorney, Agent, or Firm* — Studebaker & Brackett PC

(52) **U.S. Cl.**  
USPC ..... **D32/33**

(57) **CLAIM**

(58) **Field of Classification Search**  
USPC ..... D32/17, 31–34, 19–20, 22, 25, 40, 50  
CPC . A47L 9/02; A47L 9/04; A47L 9/0461; A47L  
5/26; A47L 5/28; A47L 11/4044  
See application file for complete search history.

The ornamental design for a suction head for a vacuum cleaner, as shown and described.

**DESCRIPTION**

(56) **References Cited**

U.S. PATENT DOCUMENTS

D649,725 S *	11/2011	Fjellman	.....	D32/32
D686,379 S *	7/2013	Kim	.....	D32/32
D762,031 S *	7/2016	Niedzwecki	.....	D32/32
D770,711 S *	11/2016	Okada	.....	D32/32
D775,443 S *	12/2016	Kwon	.....	D32/33
D779,752 S *	2/2017	Johnson	.....	D32/32
D796,136 S *	8/2017	Reynolds	.....	D32/33
D828,968 S *	9/2018	Tokoi	.....	D32/32
D846,821 S *	4/2019	Palladino	.....	D32/32

FIG. 1 is a front, top and right-side perspective view of a suction head for a vacuum cleaner showing my new design; FIG. 2 is a front view thereof; FIG. 3 is a rear view thereof; FIG. 4 is a top view thereof; FIG. 5 is a bottom view thereof; FIG. 6 is a right-side view thereof; FIG. 7 is a left-side view thereof; and, FIG. 8 is a cross-sectional view taken along line 8-8 in FIG. 2, in which an internal mechanism is omitted. The broken lines shown represent unclaimed subject matter of the suction head for a vacuum cleaner and form no part of the claimed design.

**1 Claim, 8 Drawing Sheets**

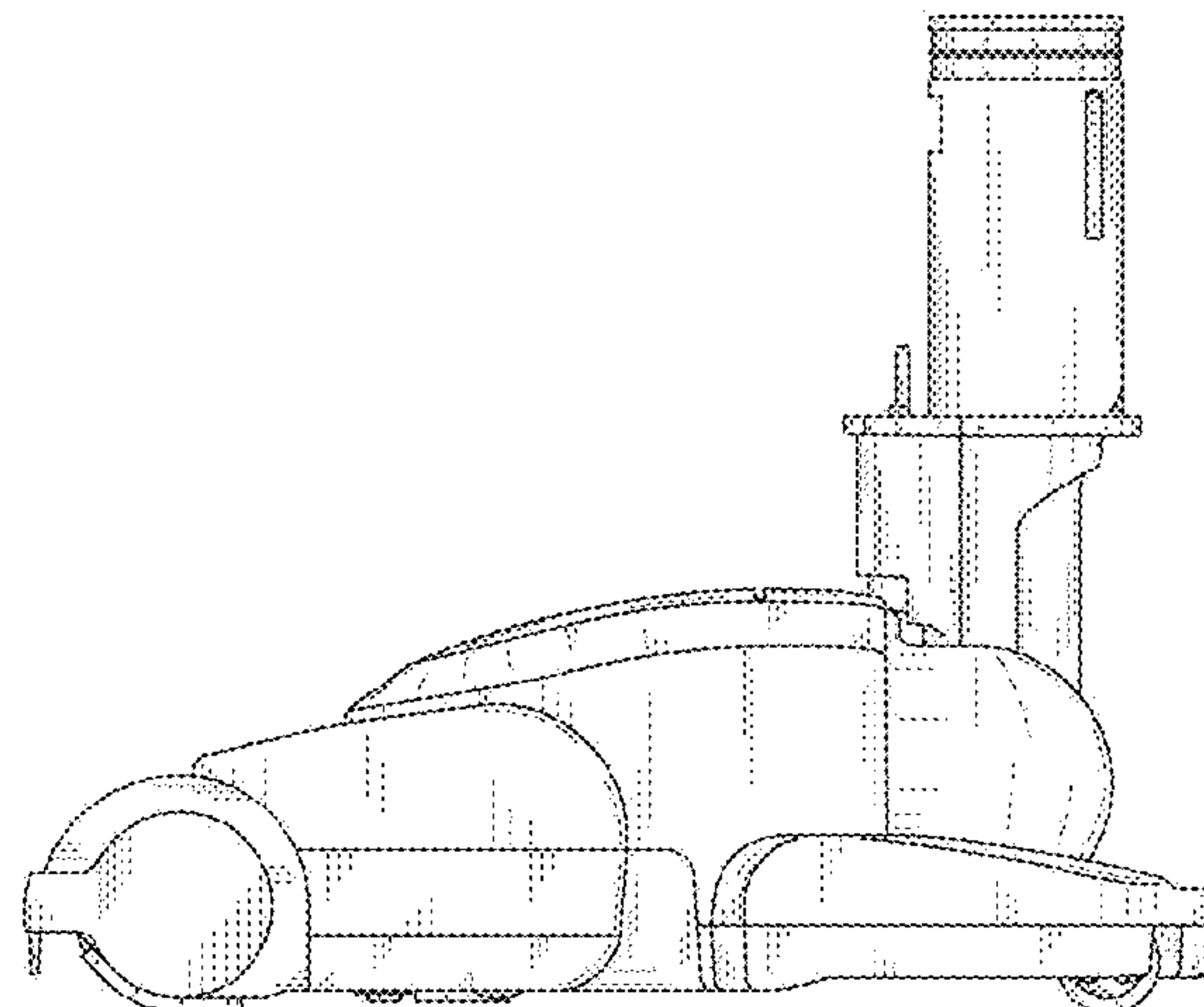
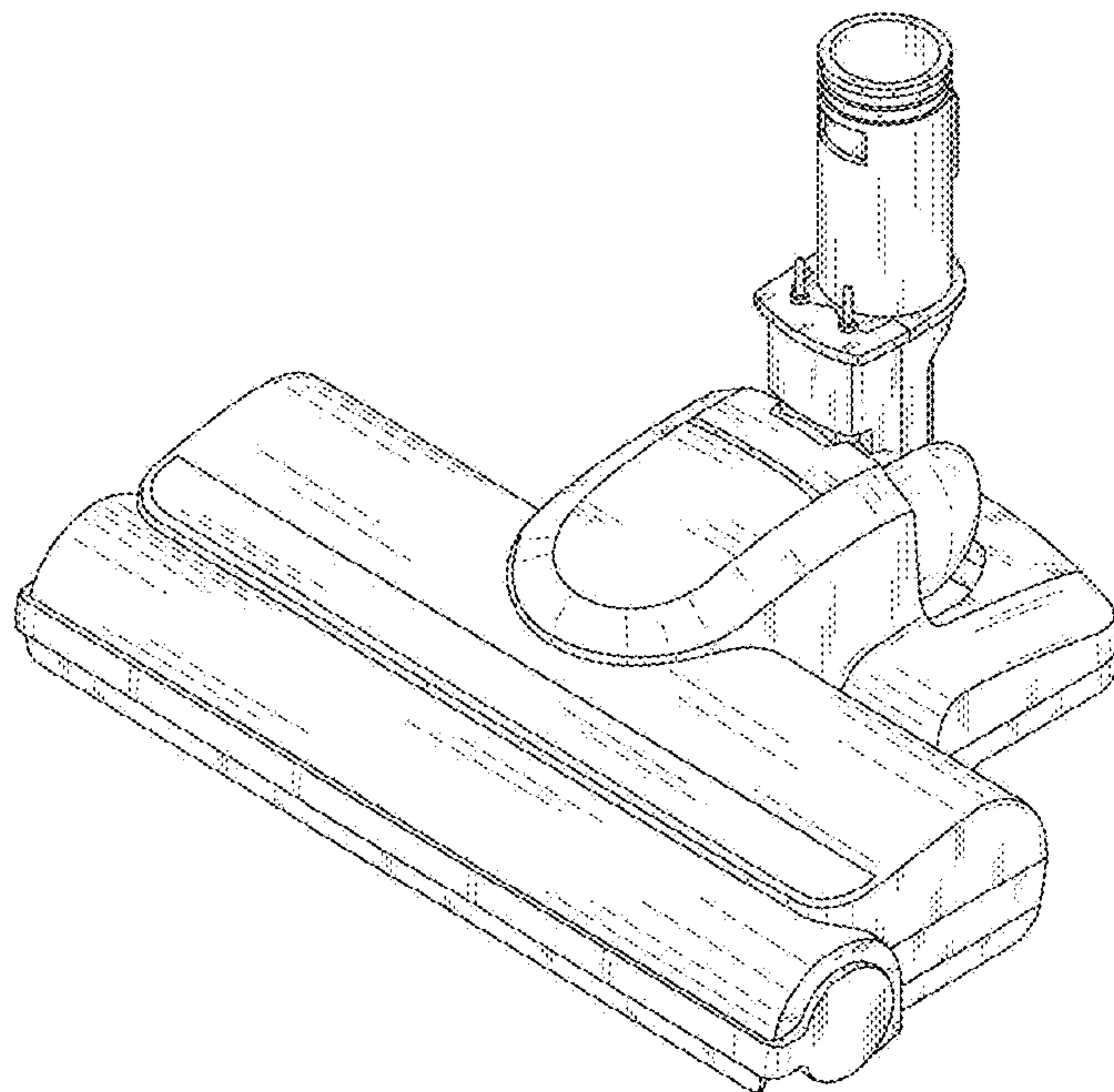


FIG. 1

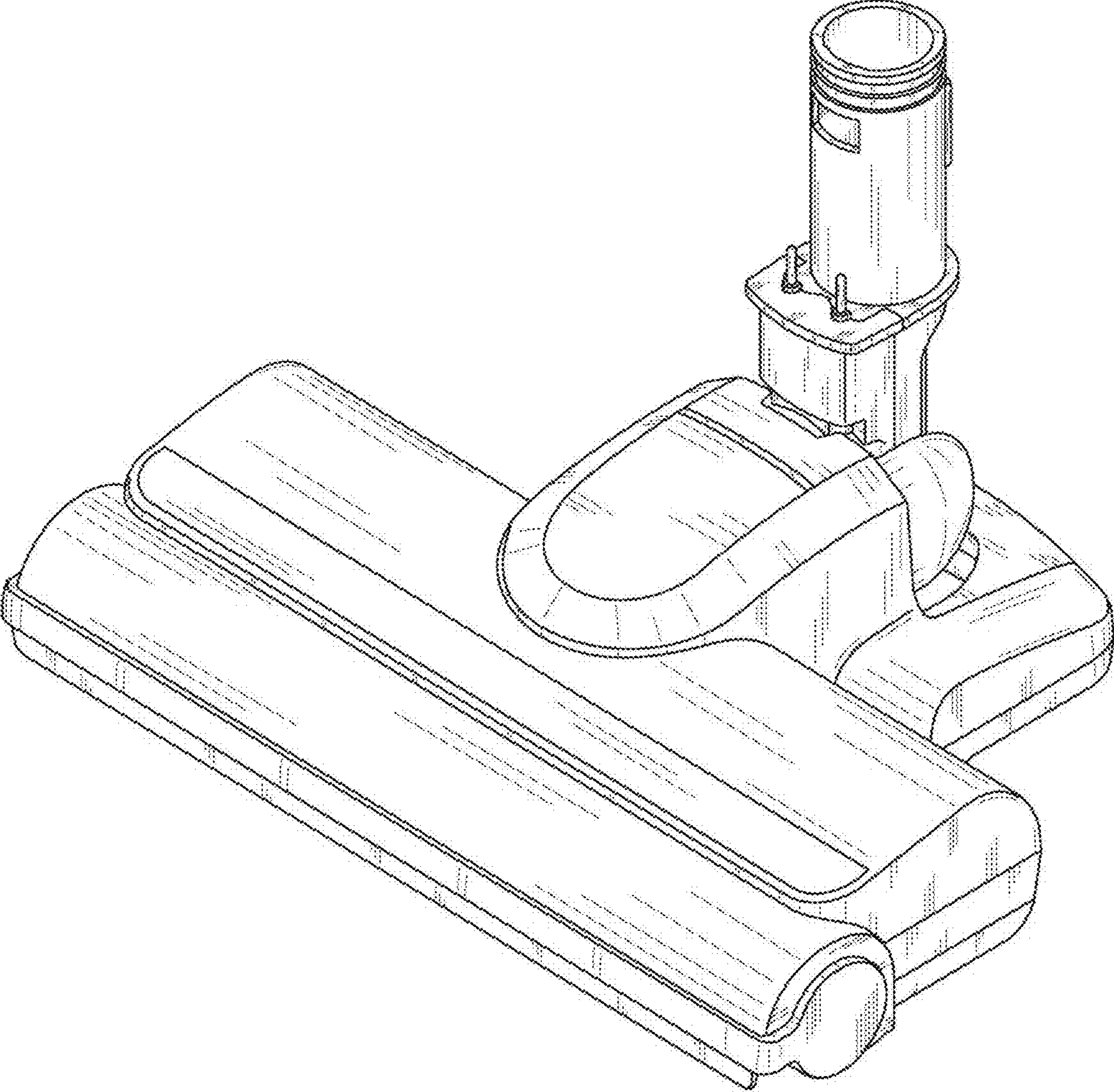


FIG. 2

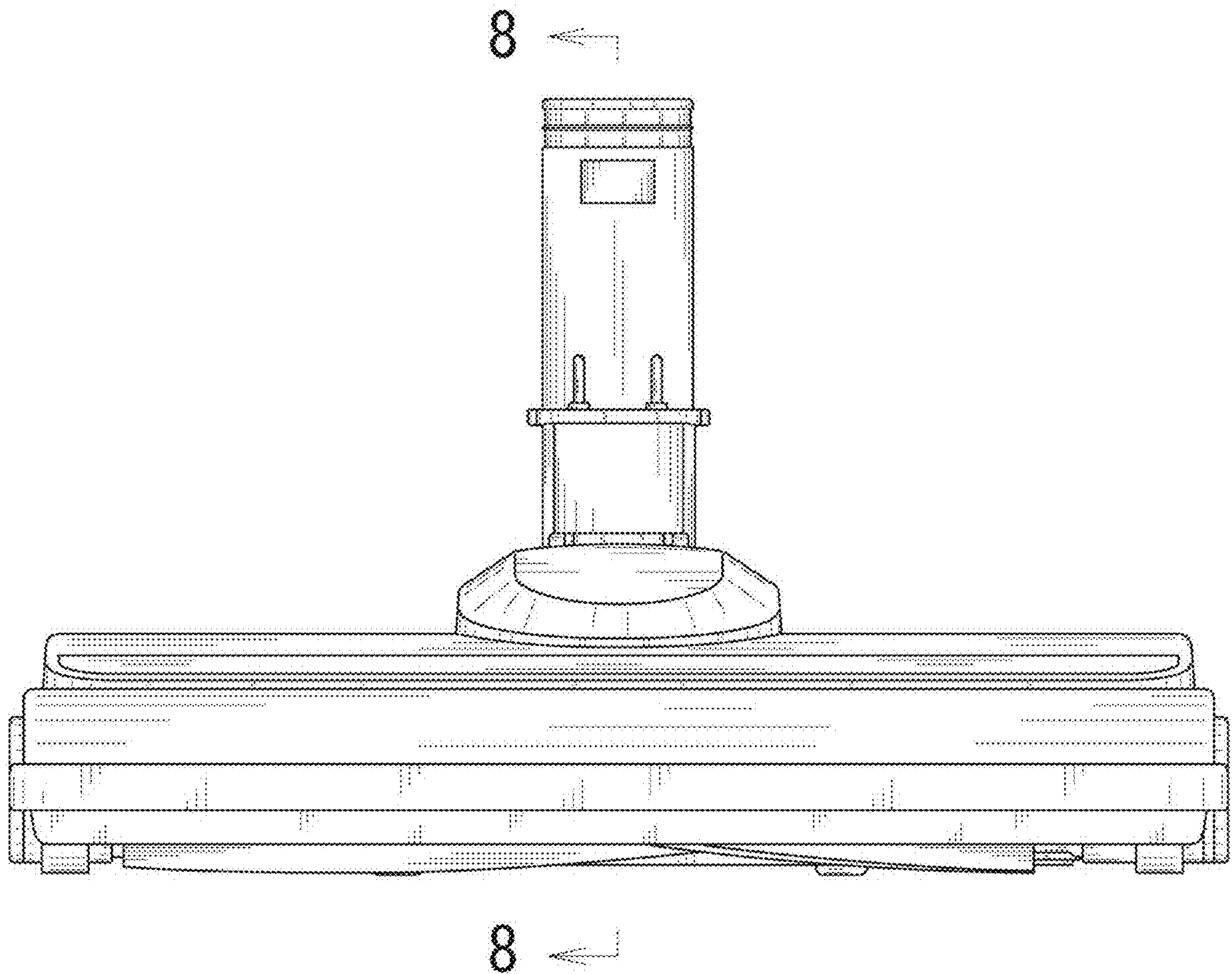




FIG. 3

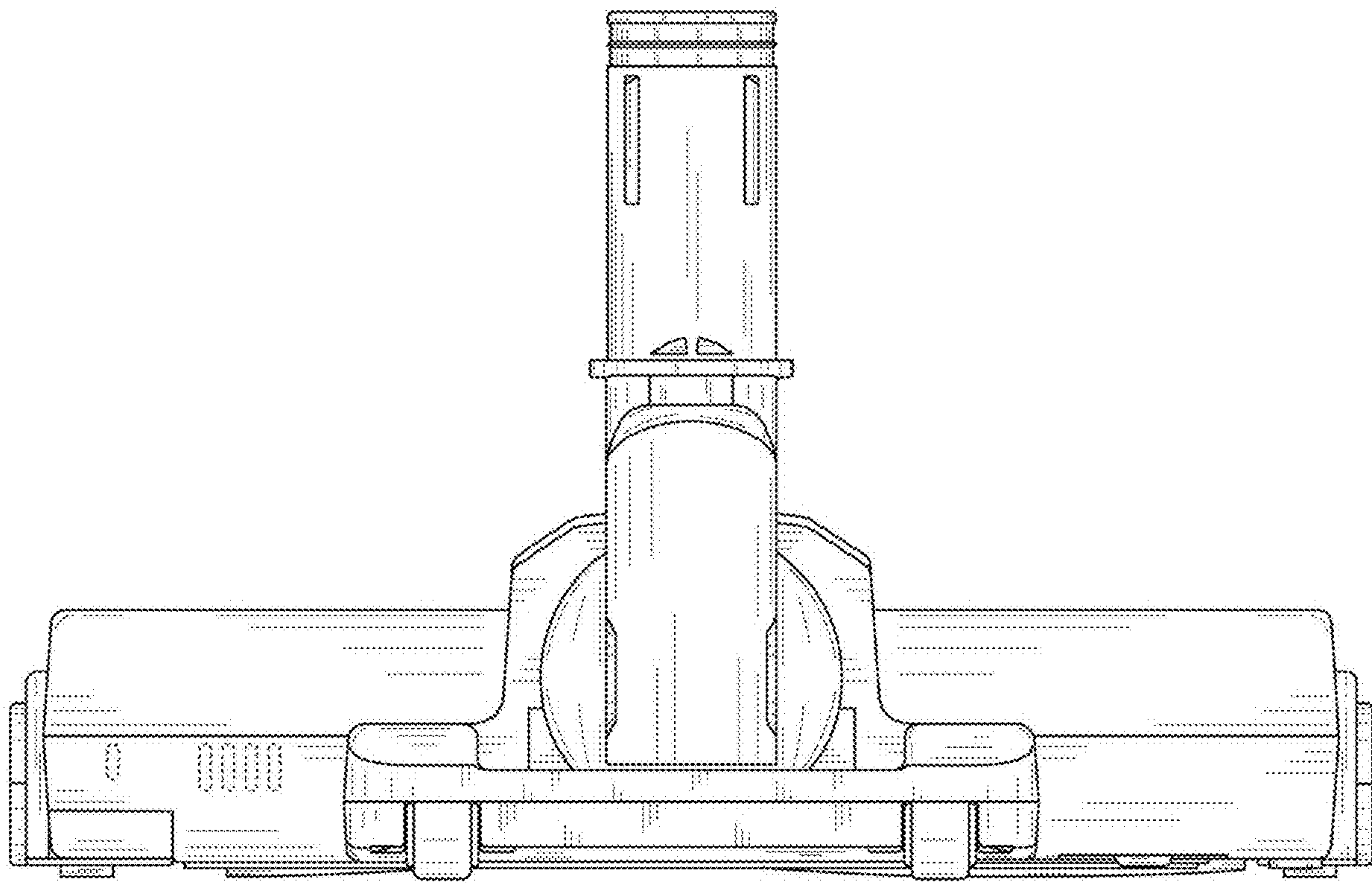


FIG. 4

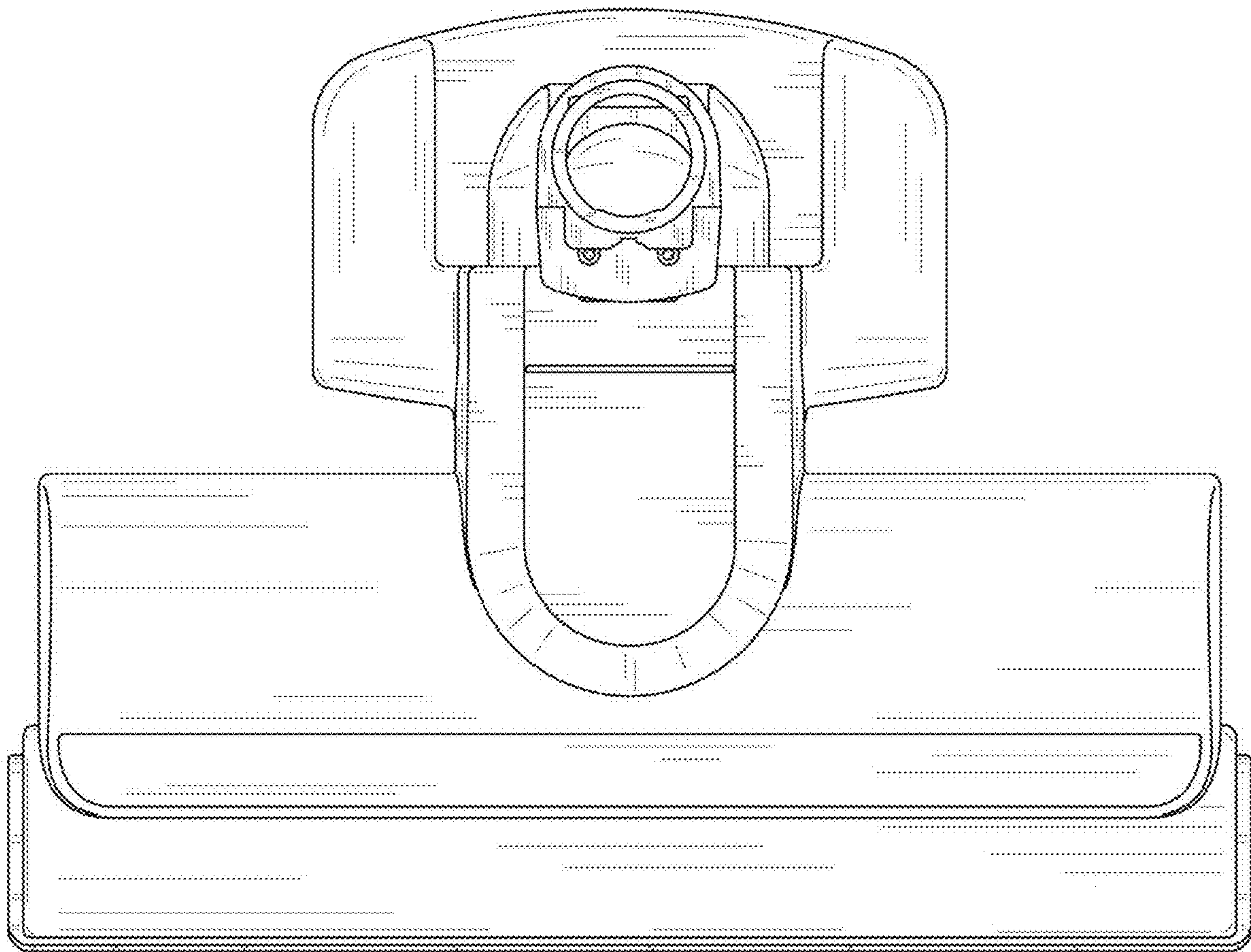


FIG. 5

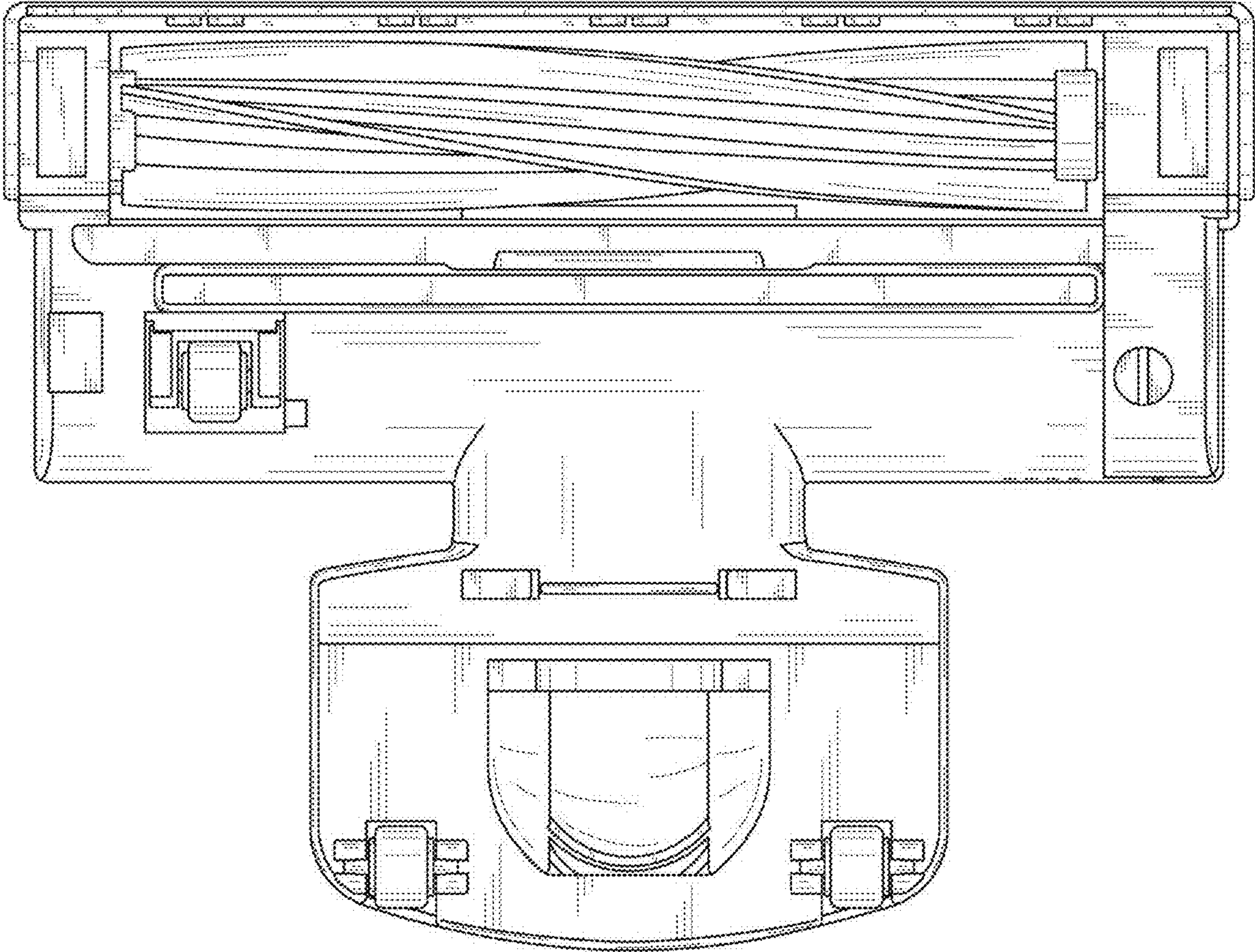


FIG. 6

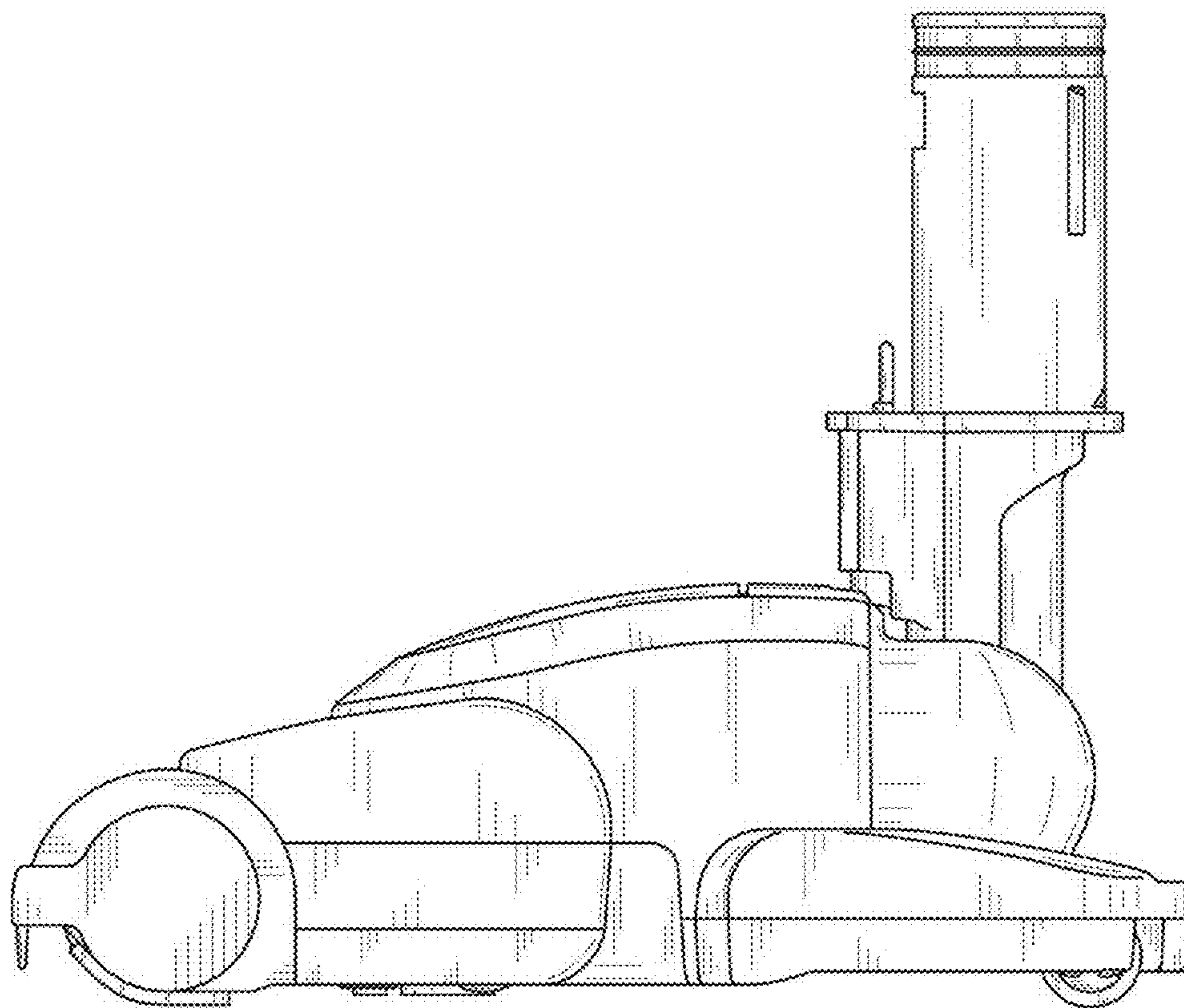




FIG. 7

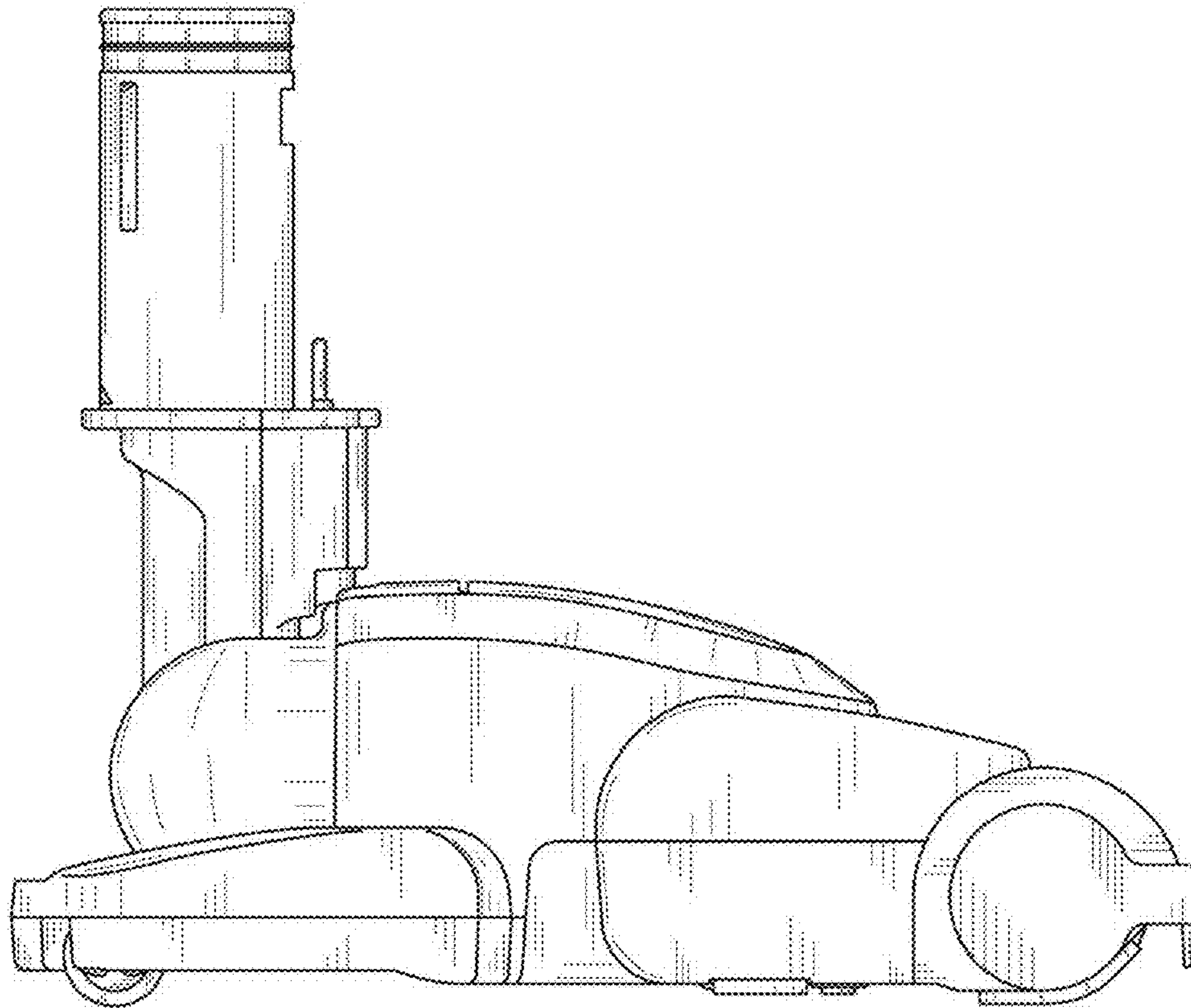




FIG. 8

