



US00D880090S

(12) **United States Design Patent**  
**Tokoi**

(10) **Patent No.:** **US D880,090 S**

(45) **Date of Patent:** **\*\* Mar. 31, 2020**

(54) **SUCTION HEAD FOR A VACUUM CLEANER**

(71) Applicant: **IRIS OHYAMA INC.**, Sendai-shi,  
Miyagi (JP)

(72) Inventor: **Shohei Tokoi**, Kakuda (JP)

(73) Assignee: **IRIS OHYAMA INC.**, Sendai-shi (JP)

(\*\*) Term: **15 Years**

(21) Appl. No.: **29/665,225**

(22) Filed: **Oct. 1, 2018**

(30) **Foreign Application Priority Data**

Apr. 3, 2018 (JP) ..... 2018-007345

(51) **LOC (12) Cl.** ..... **15-05**

(52) **U.S. Cl.**  
USPC ..... **D32/32**

(58) **Field of Classification Search**

USPC ..... D32/31-34, 22; 15/415.1  
CPC ..... A47L 9/02; A47L 9/04; A47L 9/06; A47L  
9/0461; A47L 9/325; A47L 5/362; A47L  
5/365; A47L 5/30; A47L 5/36; A47L  
5/28; A47L 5/32; A47L 11/4044; A47L  
11/302

See application file for complete search history.

(56) **References Cited**

**U.S. PATENT DOCUMENTS**

D667,186 S \* 9/2012 Codling ..... D32/33  
D781,015 S \* 3/2017 Kim ..... D32/33  
D823,566 S \* 7/2018 Kim ..... D32/33  
D836,273 S \* 12/2018 Nam ..... D32/32  
D836,274 S \* 12/2018 Nam ..... D32/32  
D836,868 S \* 12/2018 Nam ..... D32/32  
D839,517 S \* 1/2019 Nam ..... D32/32  
D839,518 S \* 1/2019 Nam ..... D32/32

D839,519 S \* 1/2019 Nam ..... D32/33  
D839,520 S \* 1/2019 Hribar-Green ..... D32/33  
D839,521 S \* 1/2019 Hribar-Green ..... D32/33  
D848,099 S \* 5/2019 Nam ..... D32/32  
D853,063 S \* 7/2019 Johnson ..... D32/33

**FOREIGN PATENT DOCUMENTS**

JP 1140383 S 4/2002  
JP 1593248 S 12/2017

**OTHER PUBLICATIONS**

An Office Action; "Notice of Allowance," dated by the Japanese Patent Office on Jan. 8, 2019, which corresponds to Japanese Design Application No. 2018-007345 and is related to U.S. Appl. No. 29/665,225; with English language concise explanation.

\* cited by examiner

*Primary Examiner* — Ruth McInroy

(74) *Attorney, Agent, or Firm* — Studebaker & Brackett  
PC

(57) **CLAIM**

The ornamental design for a suction head for a vacuum cleaner, as shown and described.

**DESCRIPTION**

FIG. 1 is a front, top and right-side perspective view of a suction head for a vacuum cleaner showing my new design; FIG. 2 is a front view thereof; FIG. 3 is a rear view thereof; FIG. 4 is a top view thereof; FIG. 5 is a bottom view thereof; FIG. 6 is a right-side view thereof; and, FIG. 7 is a left-side view thereof.

The broken lines shown represent unclaimed subject matter of the suction head for a vacuum cleaner and form no part of the claimed design.

**1 Claim, 6 Drawing Sheets**

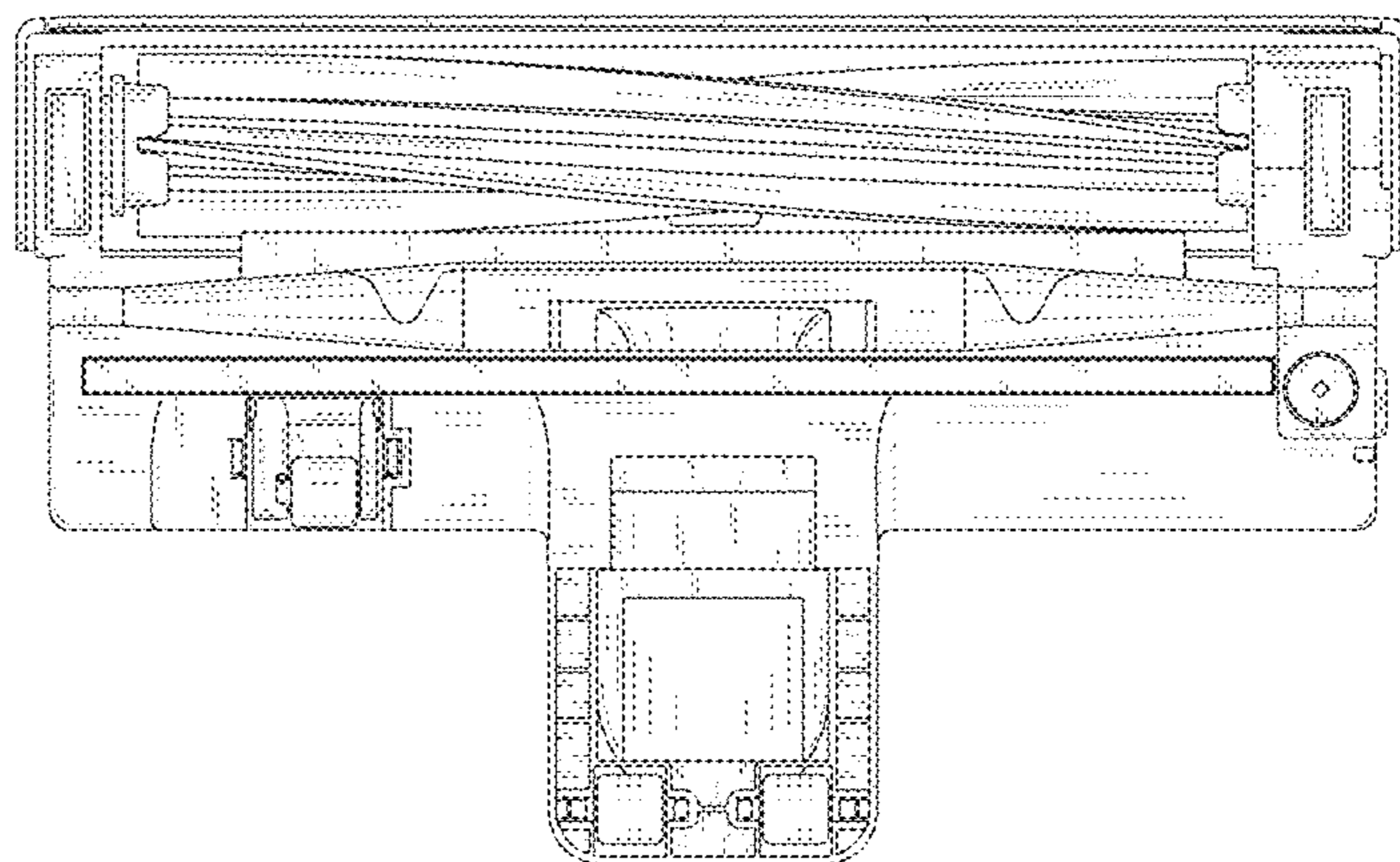
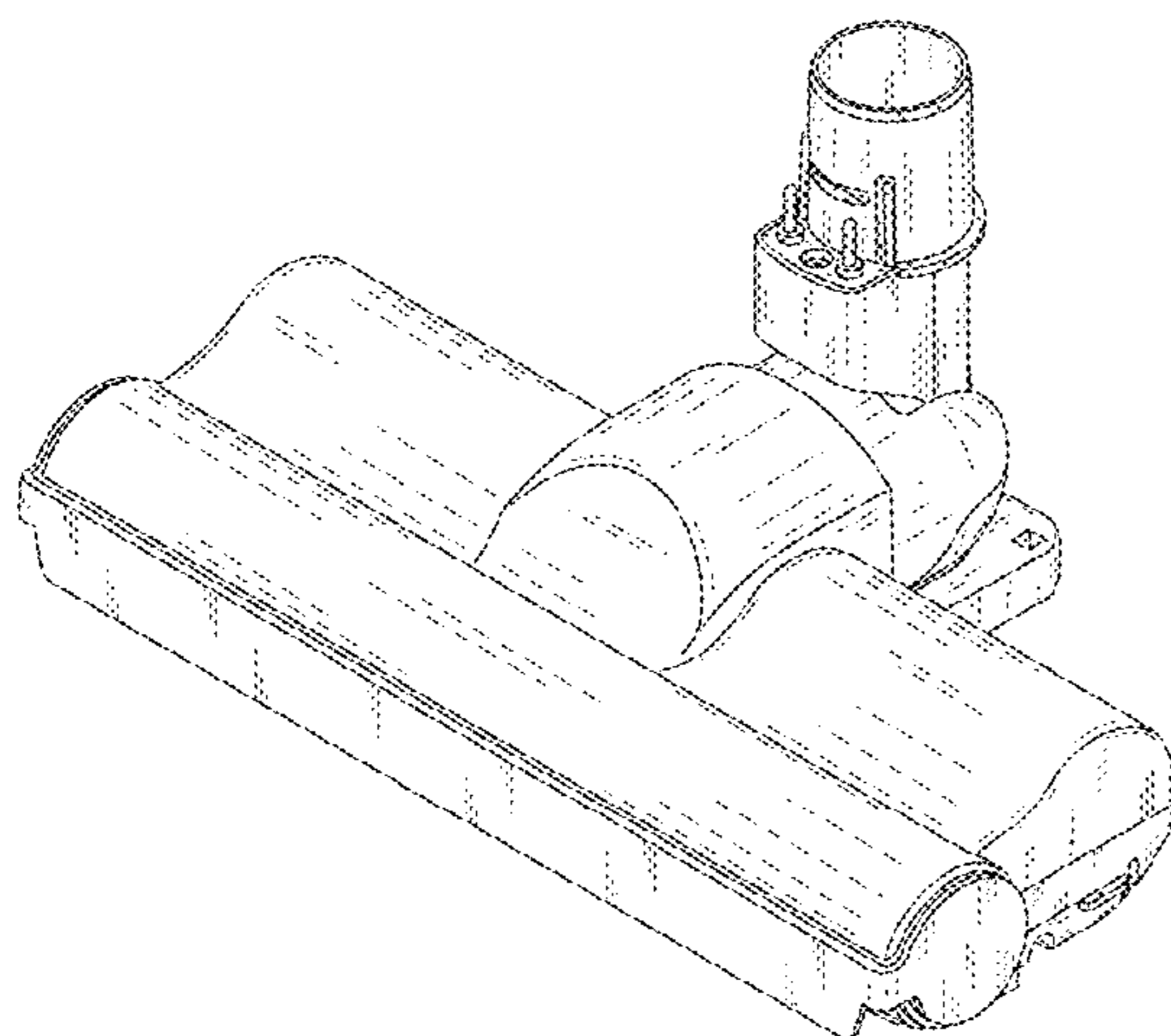


FIG. 1

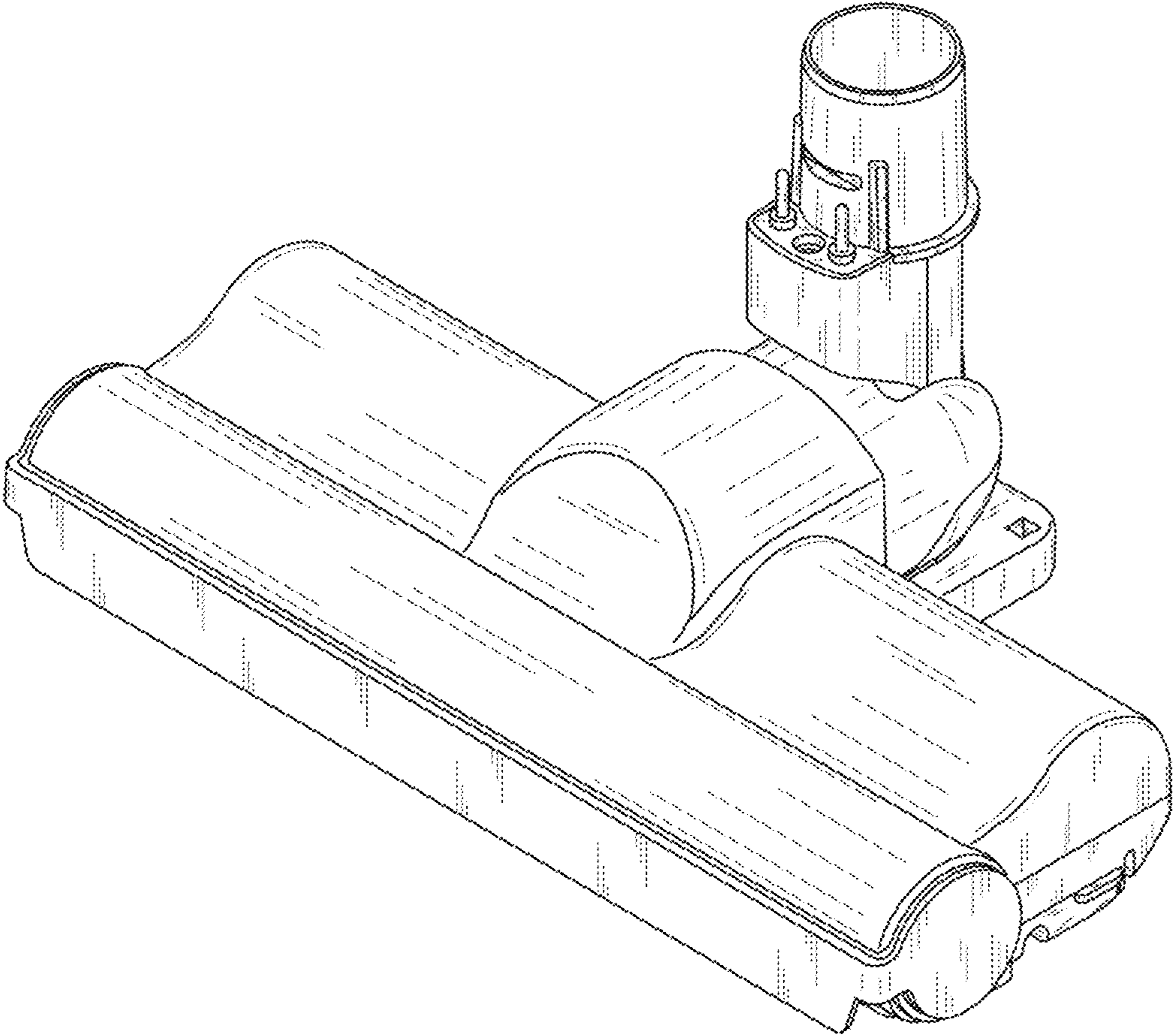


FIG. 2

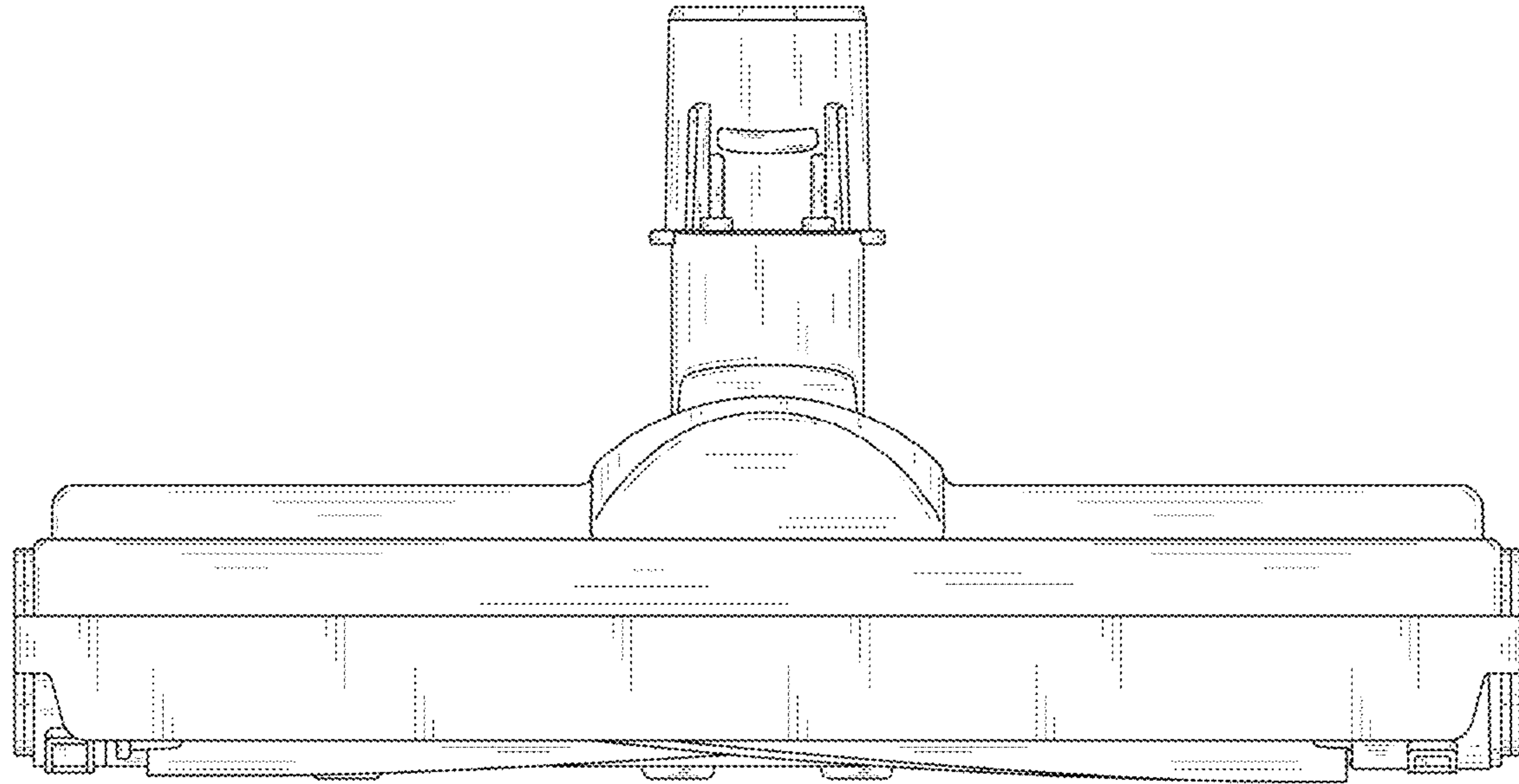


FIG. 3

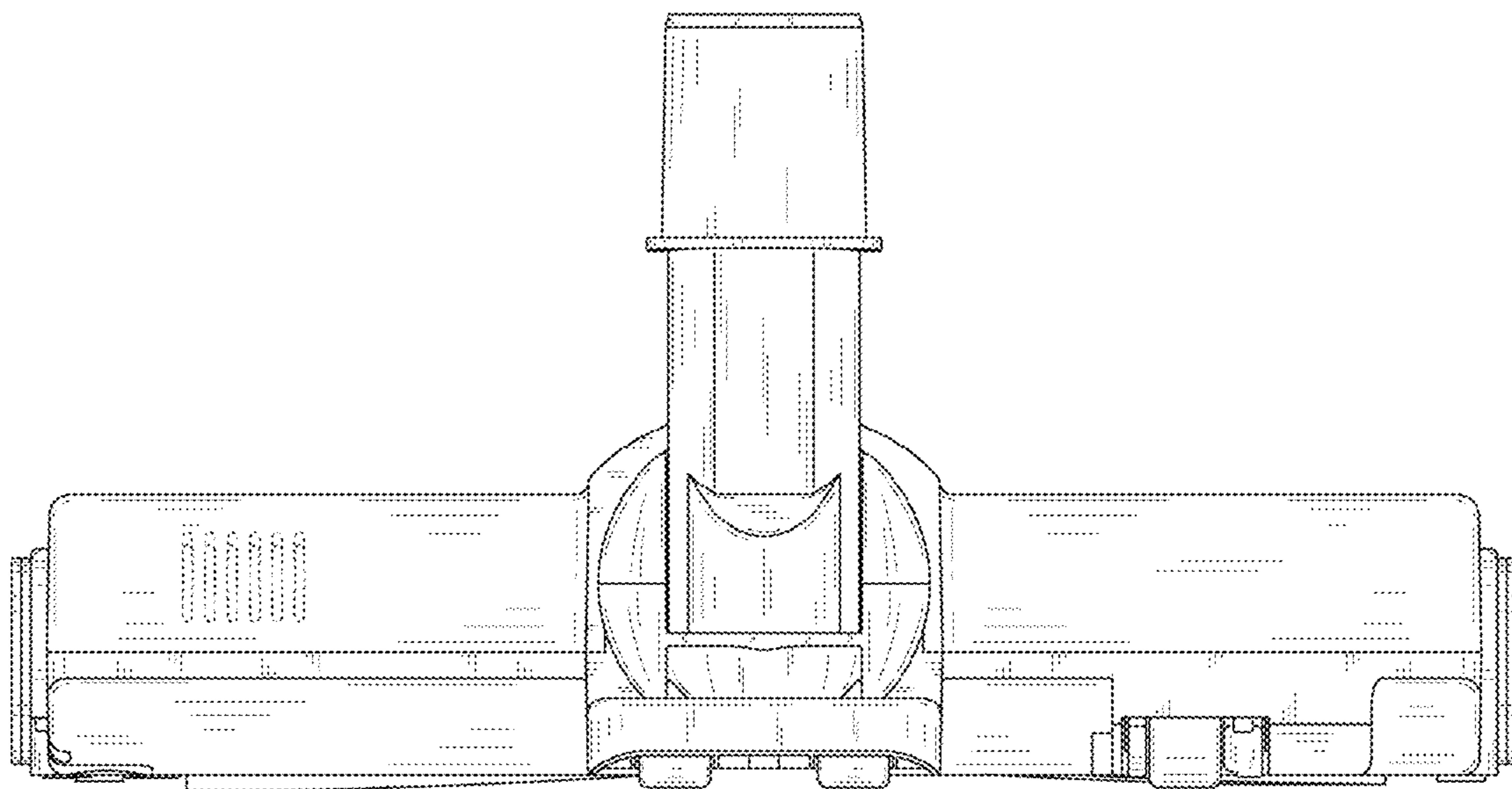


FIG. 4

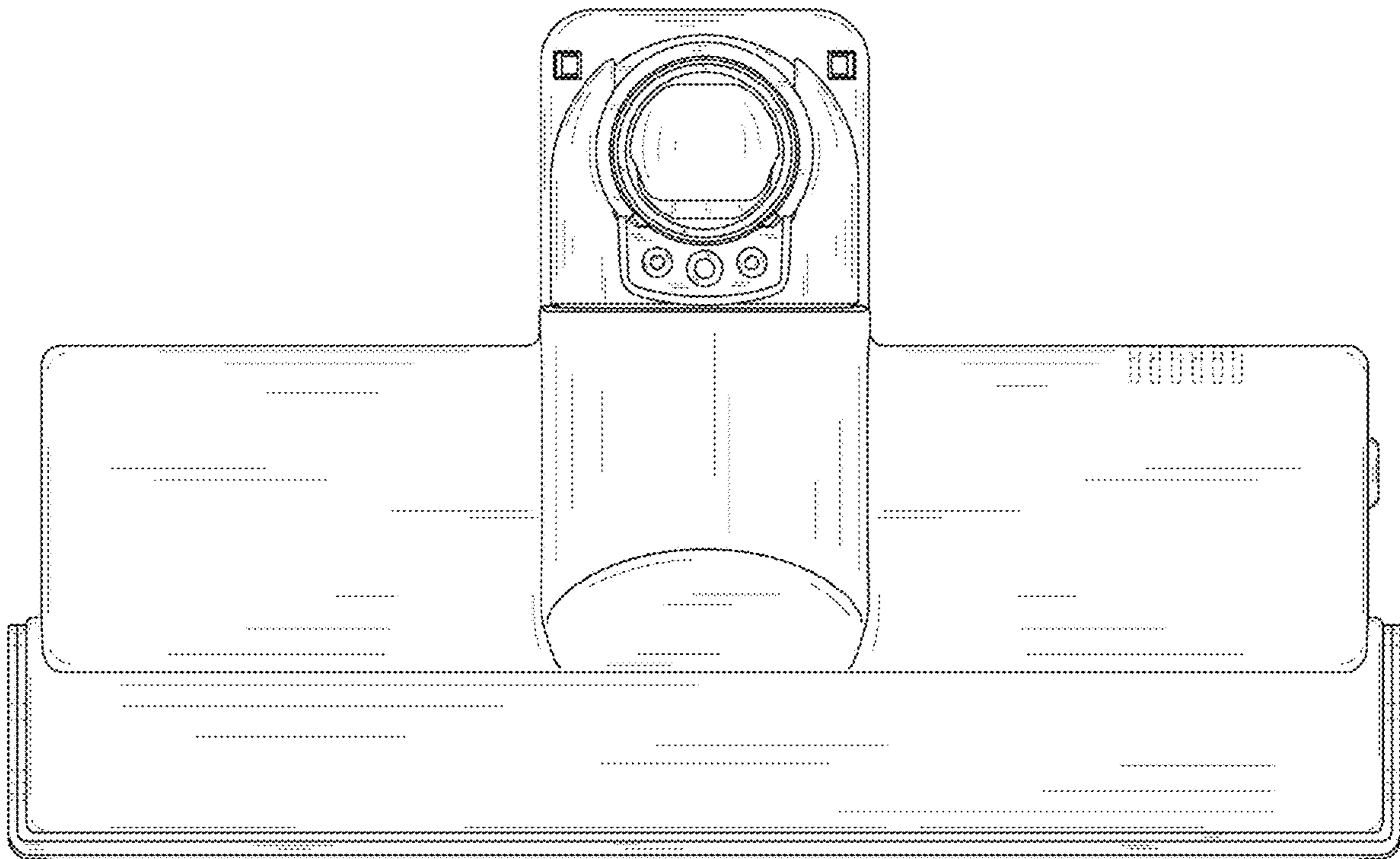


FIG. 5

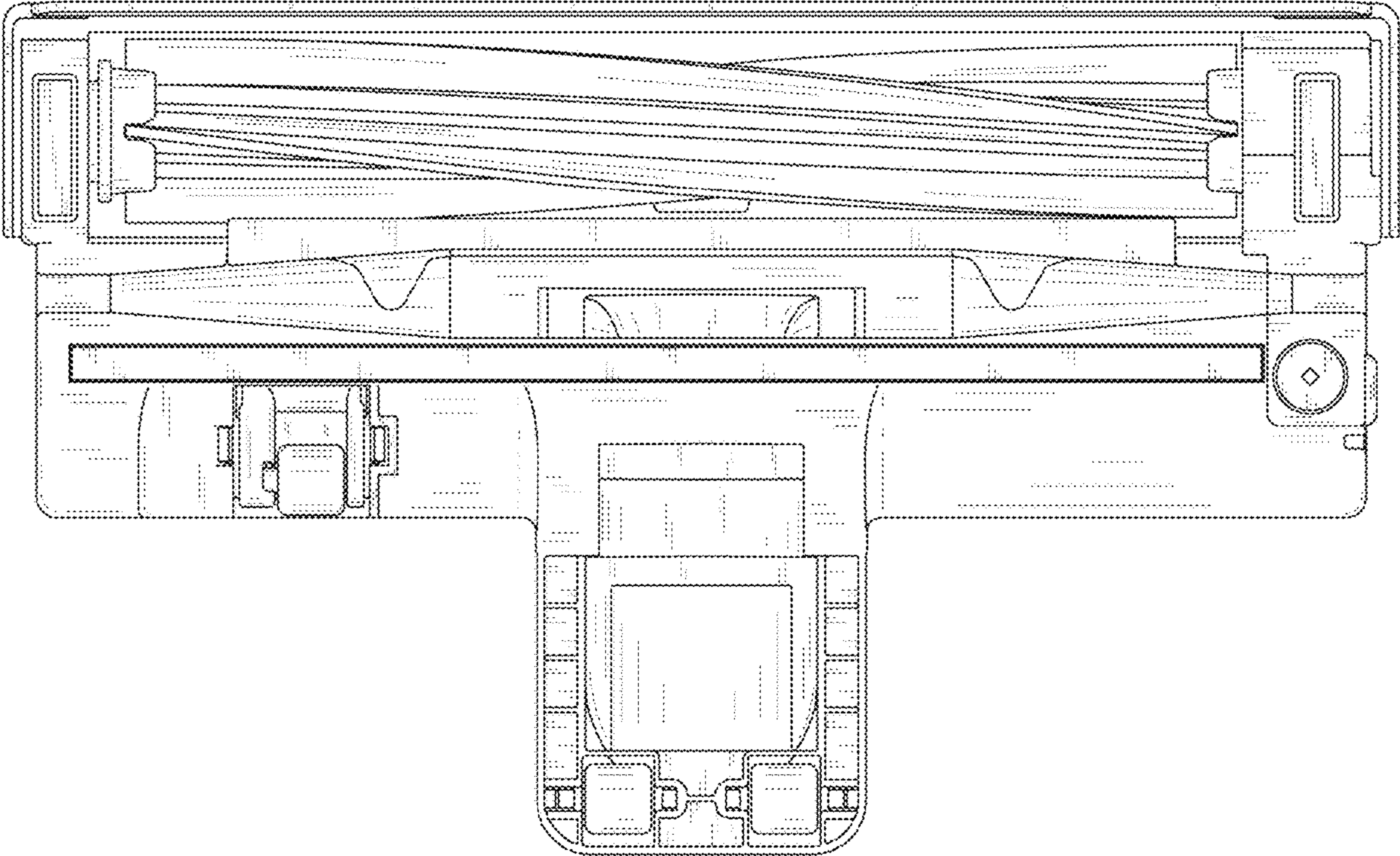


FIG. 6

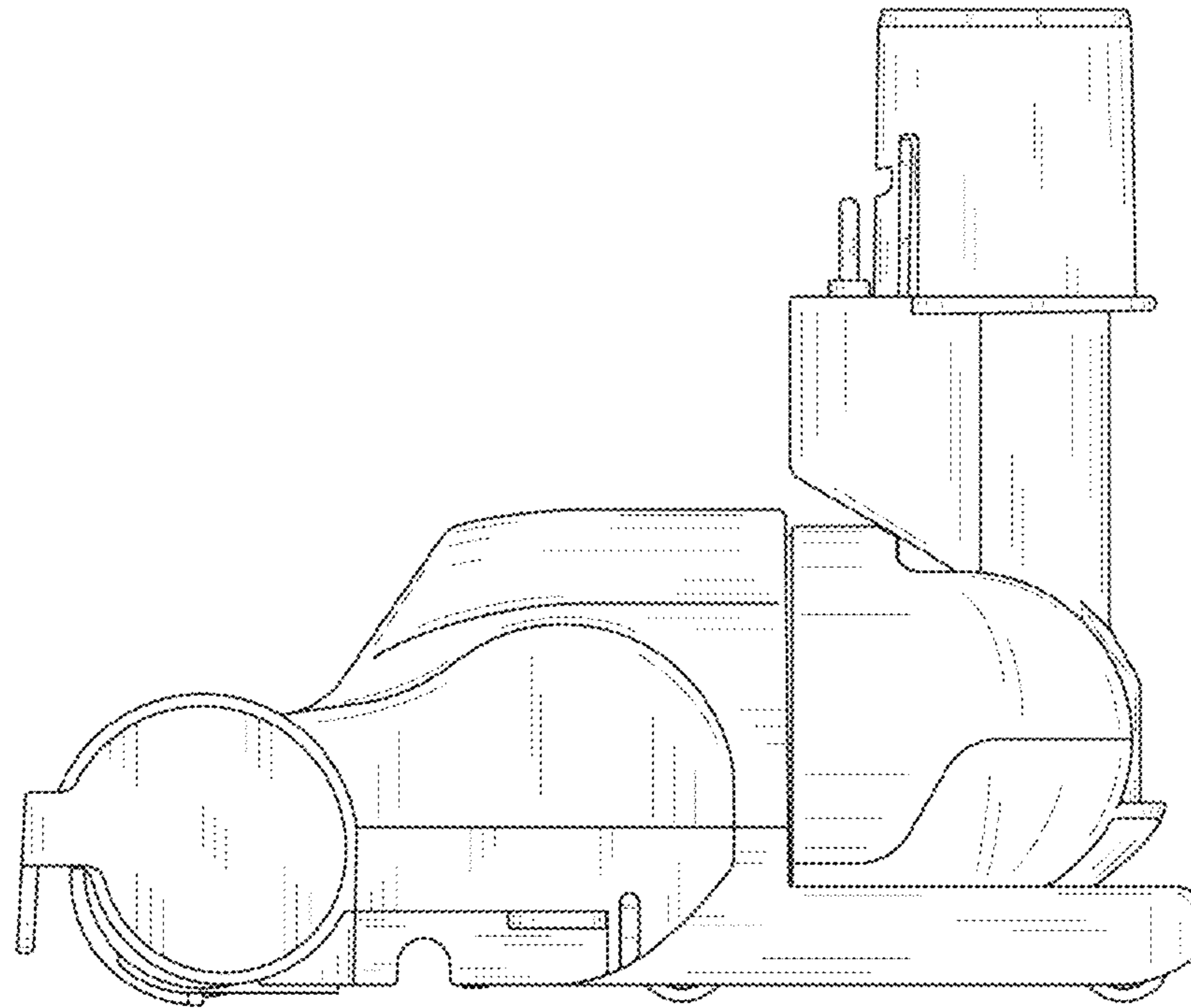


FIG. 7

