



US00D880089S

(12) **United States Design Patent**
Kim et al.

(10) **Patent No.:** **US D880,089 S**
(45) **Date of Patent:** **** Mar. 31, 2020**

(54) **BRUSH FOR VACUUM CLEANER**

(71) Applicant: **Samsung Electronics Co., Ltd.**,
Suwon-si (KR)

(72) Inventors: **Yeon-Su Kim**, Seoul (KR); **Jae-Won Choi**, Seoul (KR); **Seung-Wook Suh**, Goyang-si (KR); **Jae-Ho Jang**, Seoul (KR)

(73) Assignee: **Samsung Electronics Co., Ltd.**,
Suwon-si (KR)

(**) Term: **15 Years**

(21) Appl. No.: **29/636,430**

(22) Filed: **Feb. 8, 2018**

(30) **Foreign Application Priority Data**

Aug. 9, 2017 (KR) 30-2017-0037044

(51) **LOC (12) Cl.** **15-05**

(52) **U.S. Cl.**
USPC **D32/32**

(58) **Field of Classification Search**
USPC D32/31-34, 22; 15/415.1
CPC A47L 9/02; A47L 9/04; A47L 9/06; A47L 9/0461; A47L 9/325; A47L 5/362; A47L 5/365; A47L 5/30; A47L 5/36; A47L 5/28; A47L 5/32; A47L 11/4044; A47L 11/302

See application file for complete search history.

(56) **References Cited**

U.S. PATENT DOCUMENTS

D667,186 S *	9/2012	Codling	D32/33
D762,031 S *	7/2016	Niedzwecki	
D781,015 S *	3/2017	Kim	D32/33
D823,566 S *	7/2018	Kim	D32/33
D836,273 S *	12/2018	Nam	D32/32

D836,274 S *	12/2018	Nam	D32/32
D836,868 S *	12/2018	Nam	D32/32
D839,517 S *	1/2019	Nam	D32/32
D839,518 S *	1/2019	Nam	D32/32
D839,519 S *	1/2019	Nam	D32/33
D839,520 S *	1/2019	Hribar-Green	D32/33
D839,521 S *	1/2019	Hribar-Green	D32/33
D848,099 S *	5/2019	Nam	D32/32
D853,063 S *	7/2019	Johnson	D32/33

FOREIGN PATENT DOCUMENTS

CN	2011303725325	6/2012
CN	2014303852184	5/2015
EM	002494617-0003	9/2014
KR	30-2013-0040484	6/2014

* cited by examiner

Primary Examiner — Ruth McNroy

(74) *Attorney, Agent, or Firm* — NSIP Law

(57) **CLAIM**

We claim the ornamental design for a brush for vacuum cleaner, as shown and described.

DESCRIPTION

FIG. 1 is a front perspective view of a brush for vacuum cleaner showing our new design;
 FIG. 2 is a front view thereof;
 FIG. 3 is a rear view thereof;
 FIG. 4 is a left-side view thereof;
 FIG. 5 is a right-side view thereof;
 FIG. 6 is a top view thereof;
 FIG. 7 is a bottom view thereof;
 FIG. 8 is a rear perspective view thereof; and,
 FIG. 9 is a front perspective view of the brush for vacuum cleaner in which a vacuum cleaner in broken lines is provided to illustrate an example environment.
 The broken lines in the figures show portions of the brush for vacuum cleaner which form no part of the claimed design.

1 Claim, 9 Drawing Sheets

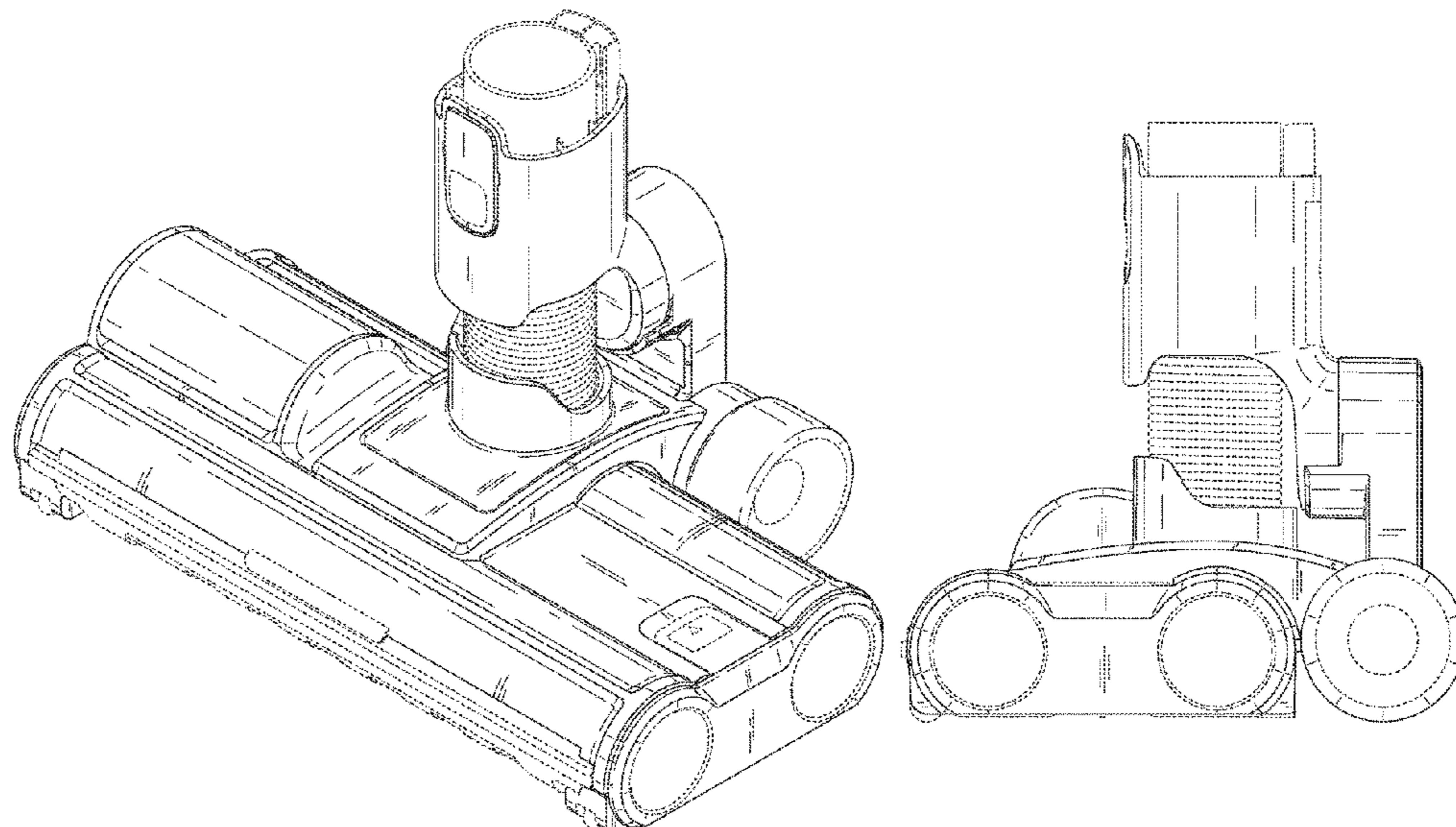


FIG. 1

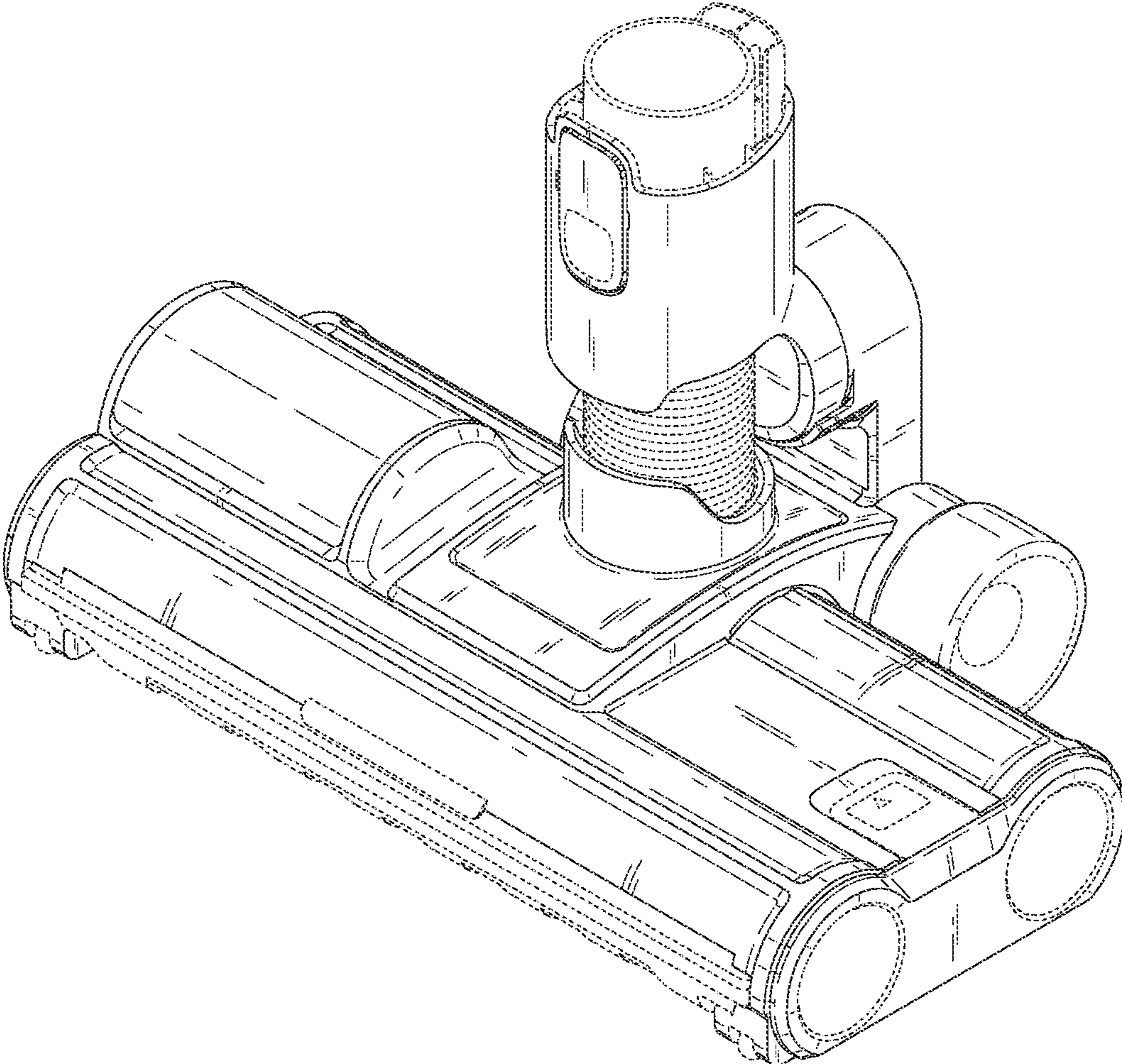


FIG. 2

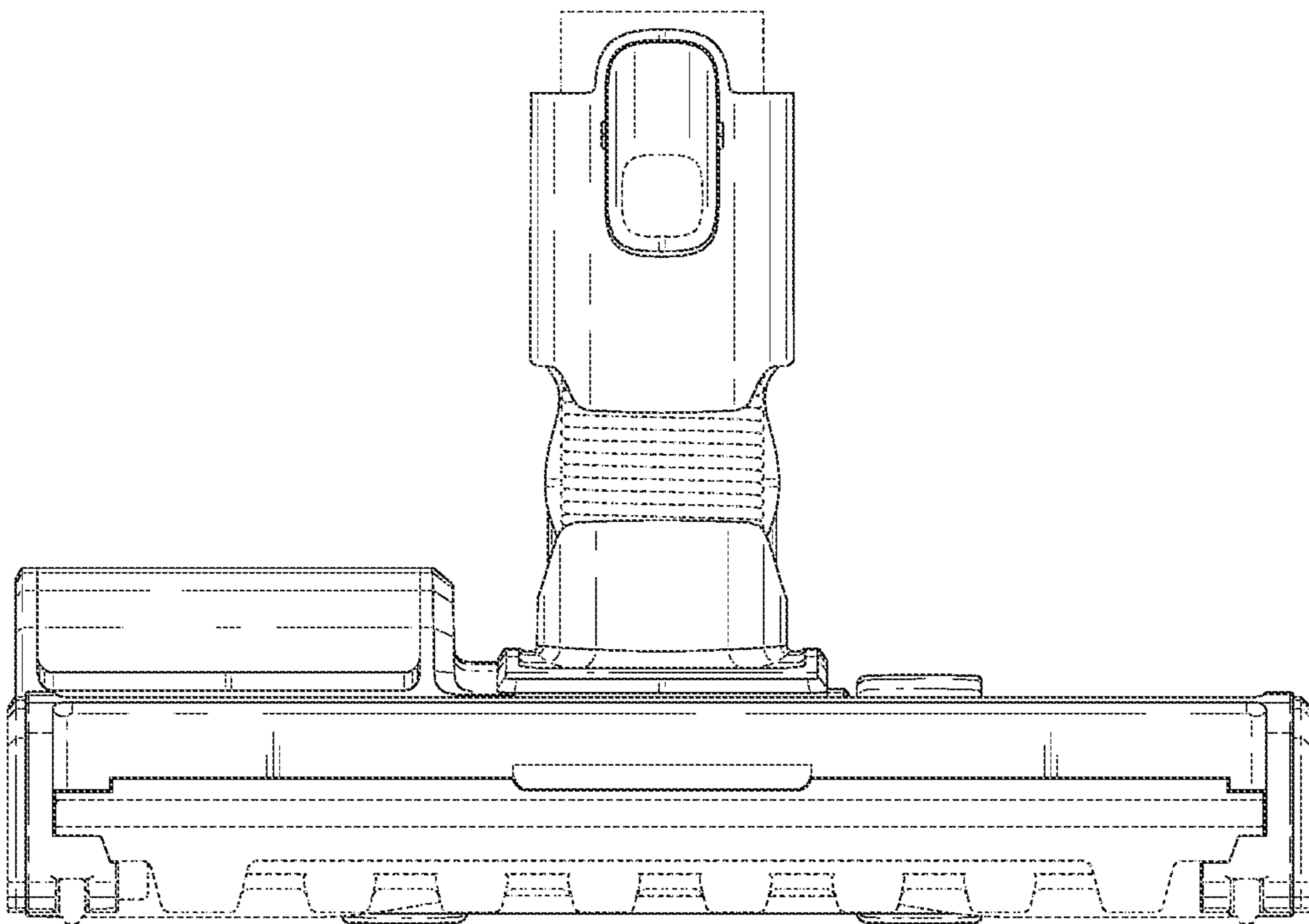


FIG. 3

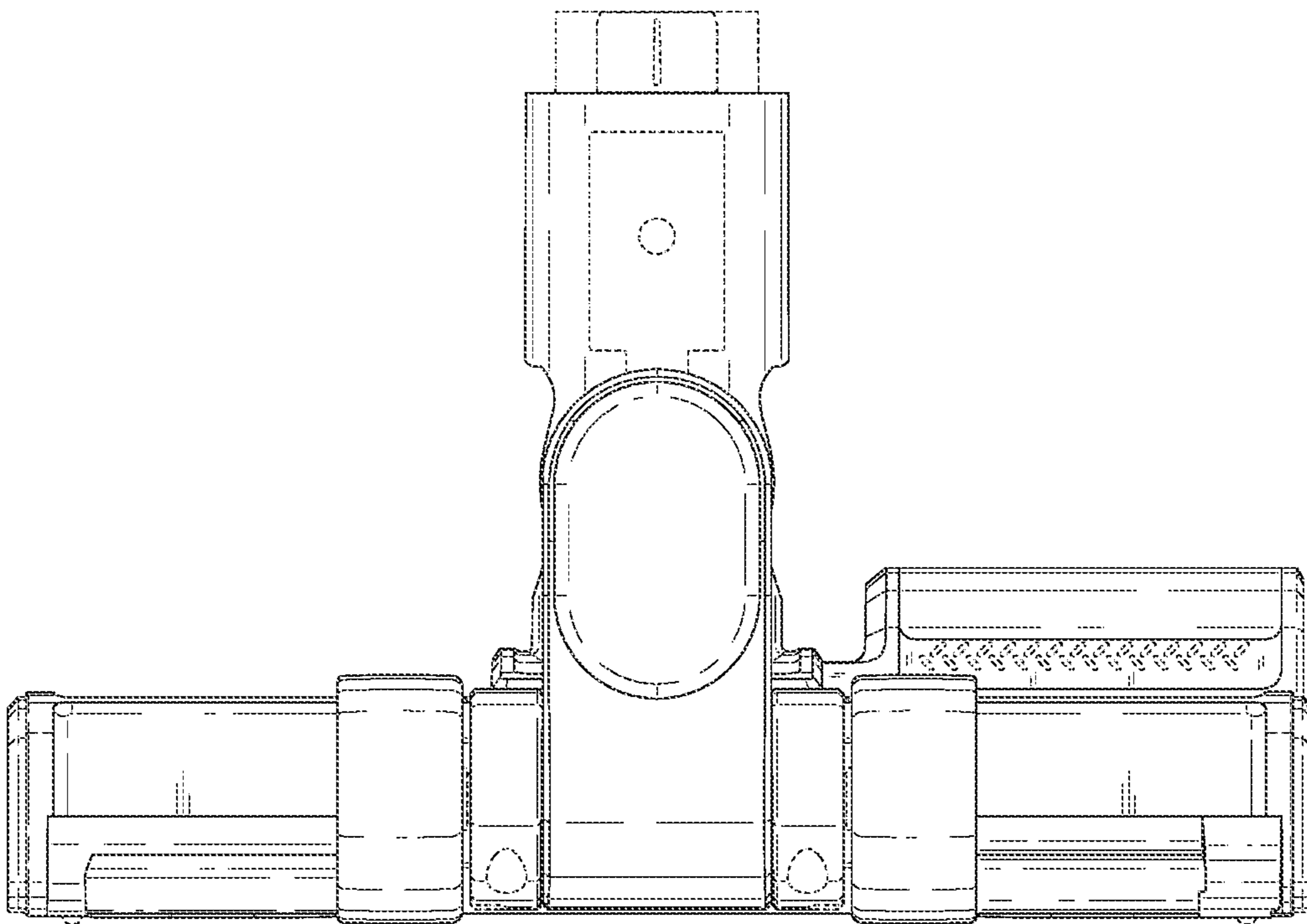


FIG. 4

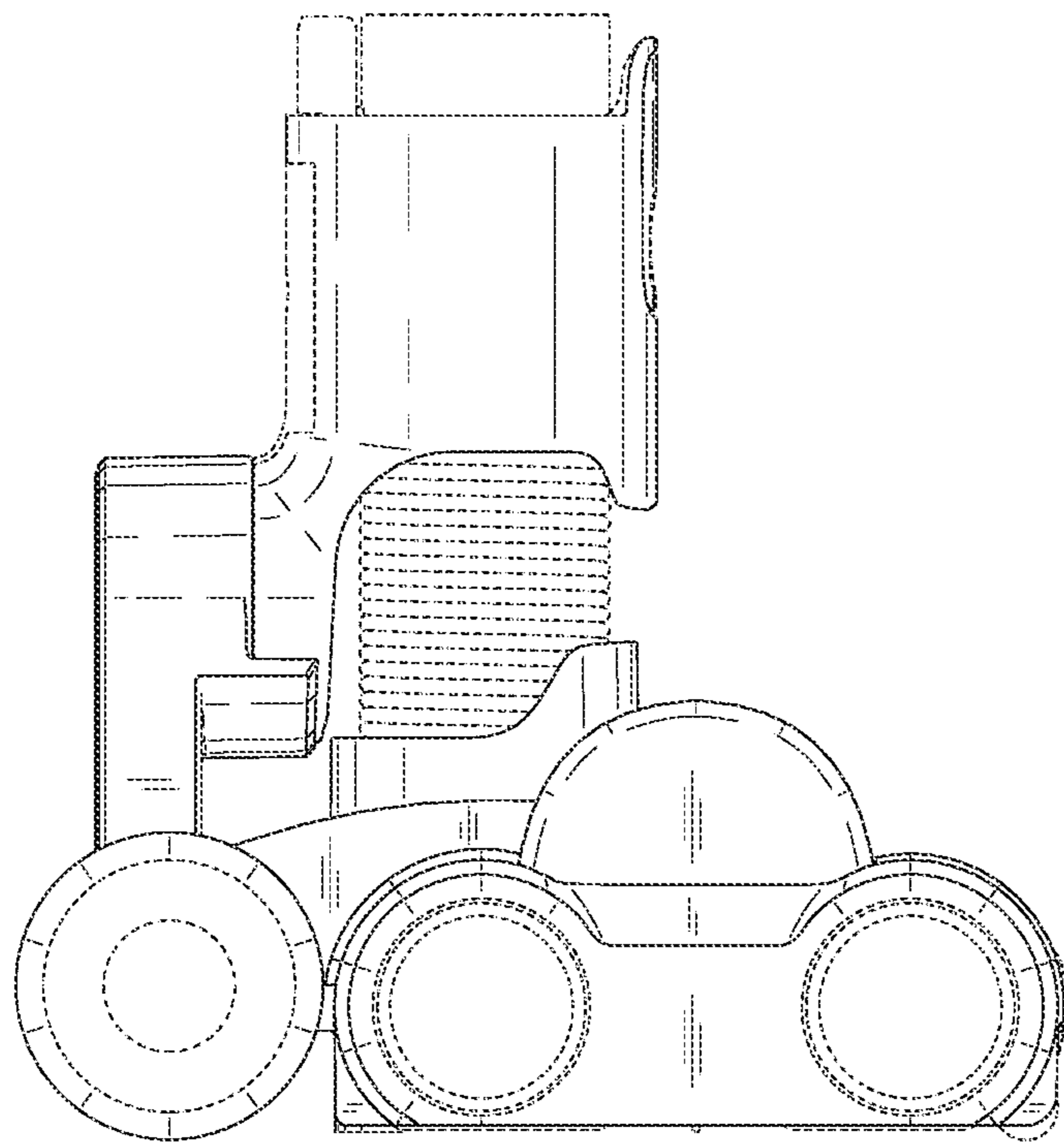


FIG. 5

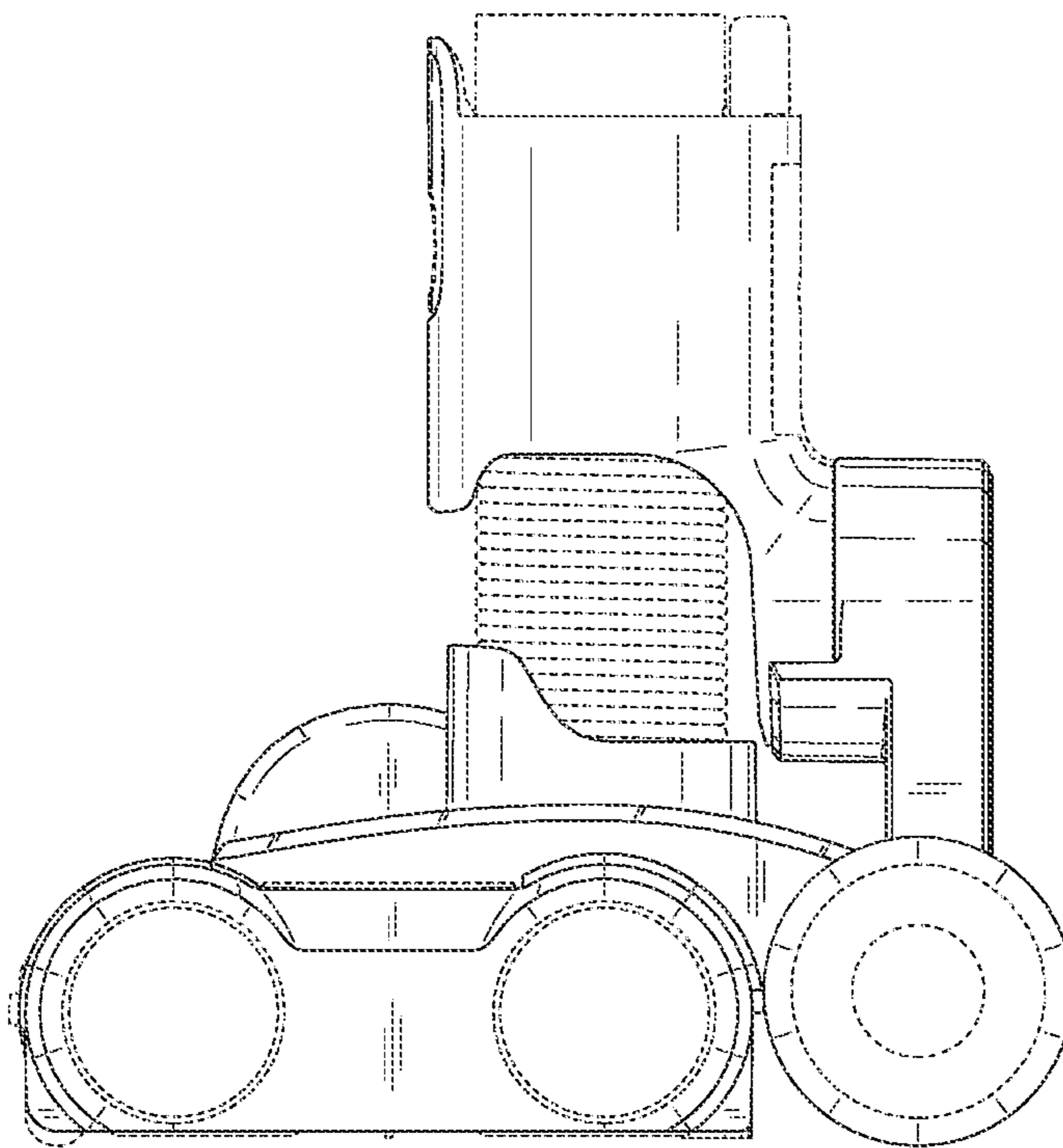


FIG. 6

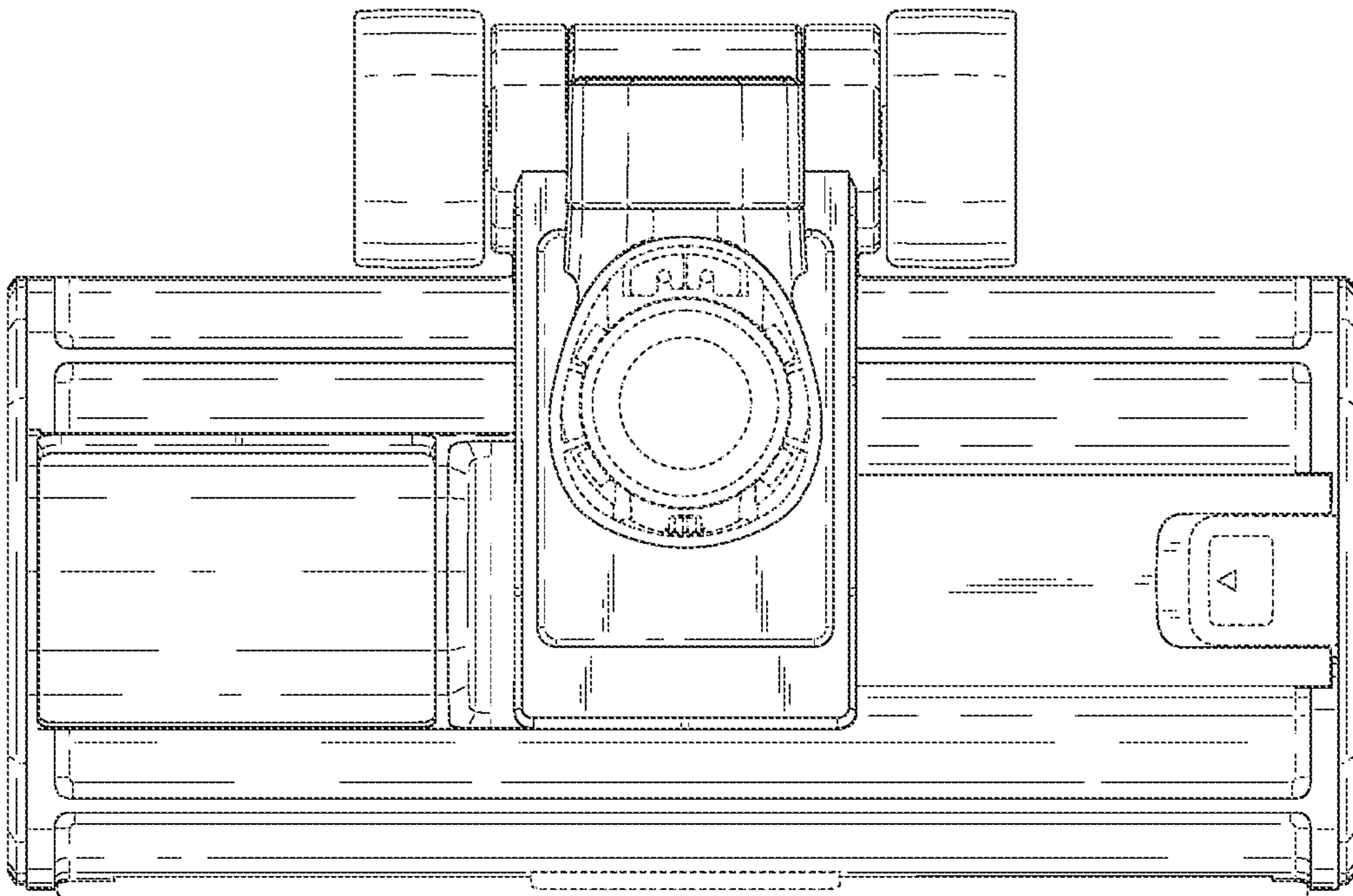


FIG. 7

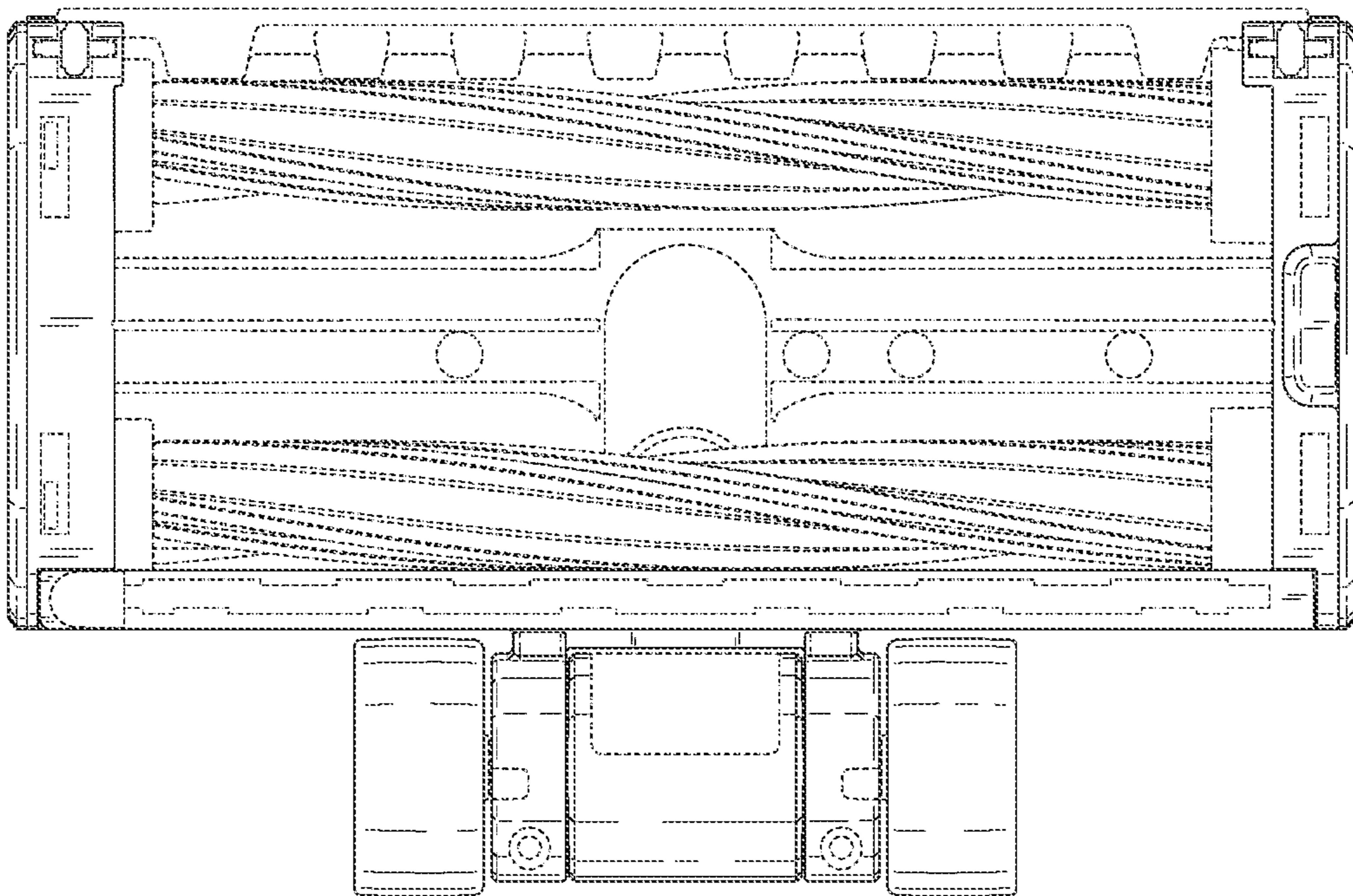


FIG. 8

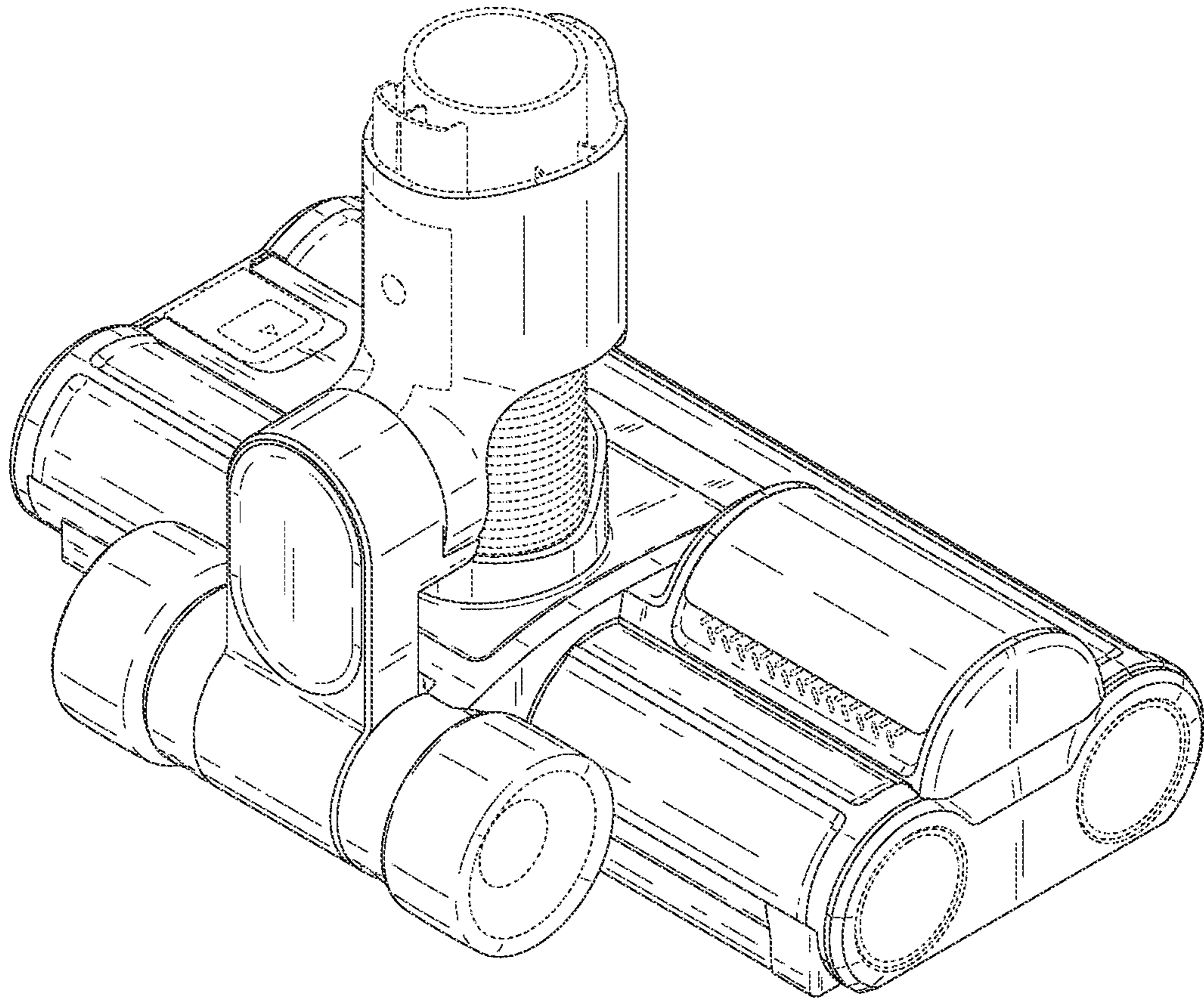


FIG. 9

