



US00D880088S

(12) **United States Design Patent**
Genoa et al.

(10) **Patent No.:** **US D880,088 S**
(45) **Date of Patent:** **** Mar. 31, 2020**

(54) **POWER NOZZLE FOR A VACUUM**

(71) Applicant: **IMIG, INC.**, Farmingdale, NY (US)

(72) Inventors: **Mark Genoa**, Dix Hills, NY (US);
Scott Genoa, Merrick, NY (US)

(73) Assignee: **IMIG, INC.**, Farmingdale, NY (US)

(**) Term: **15 Years**

(21) Appl. No.: **29/631,620**

(22) Filed: **Dec. 30, 2017**

(51) **LOC (12) Cl.** **15-05**

(52) **U.S. Cl.**
USPC **D32/32**

(58) **Field of Classification Search**
USPC D32/31-34, 22; 15/415.1
CPC A47L 9/02; A47L 9/04; A47L 9/06; A47L
9/0461; A47L 9/325; A47L 5/362; A47L
5/365; A47L 5/30; A47L 5/36; A47L
5/28; A47L 5/32; A47L 11/4044; A47L
11/302

See application file for complete search history.

(56) **References Cited**

U.S. PATENT DOCUMENTS

D518,613 S	*	4/2006	Alton	D32/32
D622,463 S	*	8/2010	Wolfe, Jr.	D32/32
D740,507 S	*	10/2015	Chu	D32/32
D770,109 S	*	10/2016	Chu, Jr.	D32/32
D779,752 S	*	2/2017	Johnson	D32/32

D781,014 S	*	3/2017	Wu	D32/32
D788,393 S	*	5/2017	Canas	D32/32
D796,136 S	*	8/2017	Reynolds	D32/33
D820,541 S	*	6/2018	Haverkamp	D32/32
D824,125 S	*	7/2018	Kim	D32/32
D837,470 S	*	1/2019	Palladino	D32/33
D850,741 S	*	6/2019	Hooley	D32/32
D853,063 S	*	7/2019	Johnson	D32/33

* cited by examiner

Primary Examiner — Ruth McInroy

(74) *Attorney, Agent, or Firm* — Law Office of Gerard F. Dunne, PC; Gerard F. Dunne

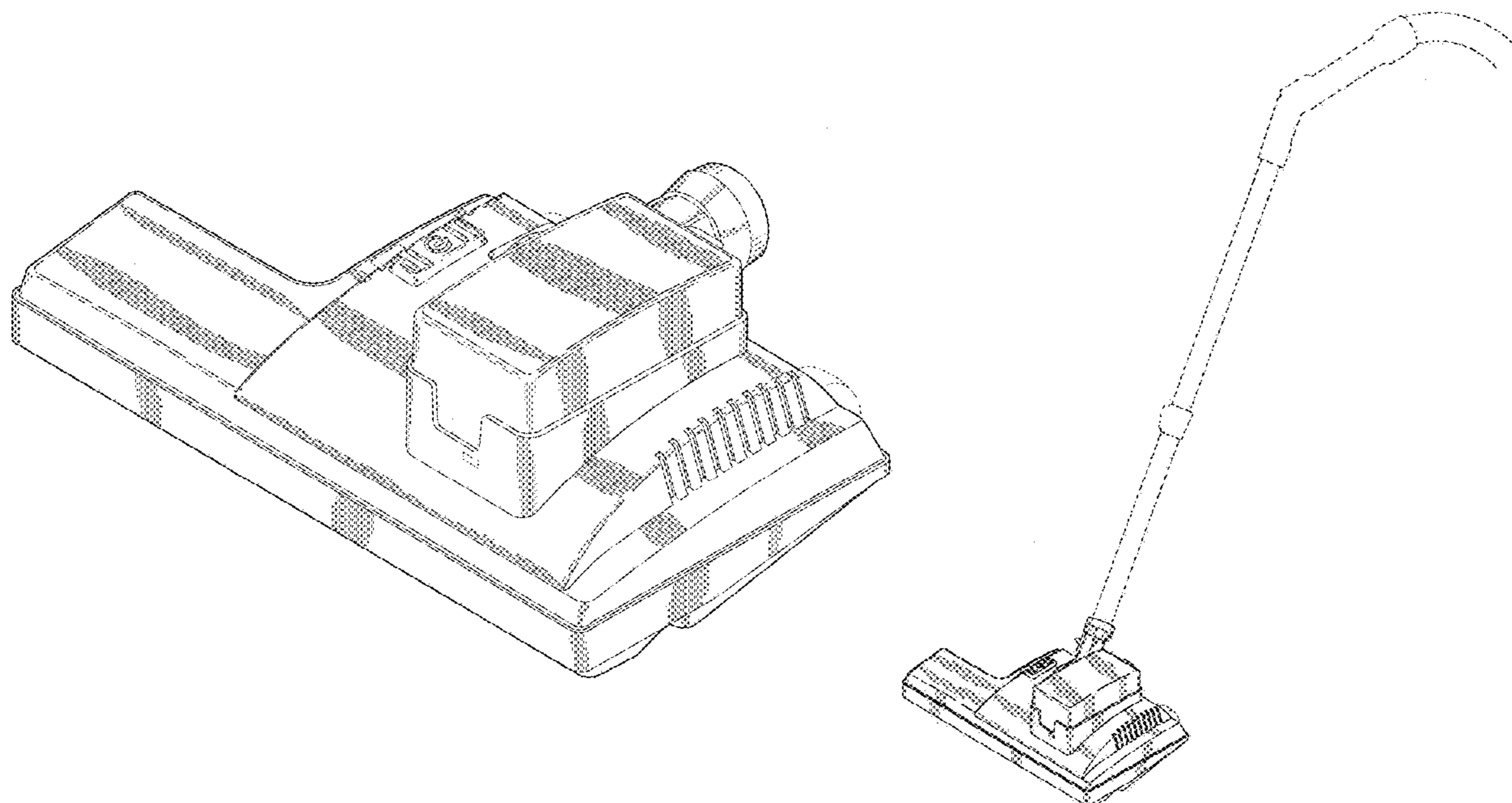
(57) **CLAIM**

We claim the ornamental design for a power nozzle for a vacuum, as shown and described.

DESCRIPTION

FIG. 1 is a perspective view of a power nozzle for a vacuum showing our new design;
FIG. 2 is a top plan view thereof;
FIG. 3 is a front view thereof;
FIG. 4 is a rear view thereof;
FIG. 5 is a side view thereof;
FIG. 6 is an opposite side of FIG. 5;
FIG. 7 is a bottom plan view thereof; and,
FIG. 8 is a perspective view thereof, showing the environmental structure in broken lines.
The portions of the drawing figures shown in broken lines form no part of the claimed design.

1 Claim, 8 Drawing Sheets



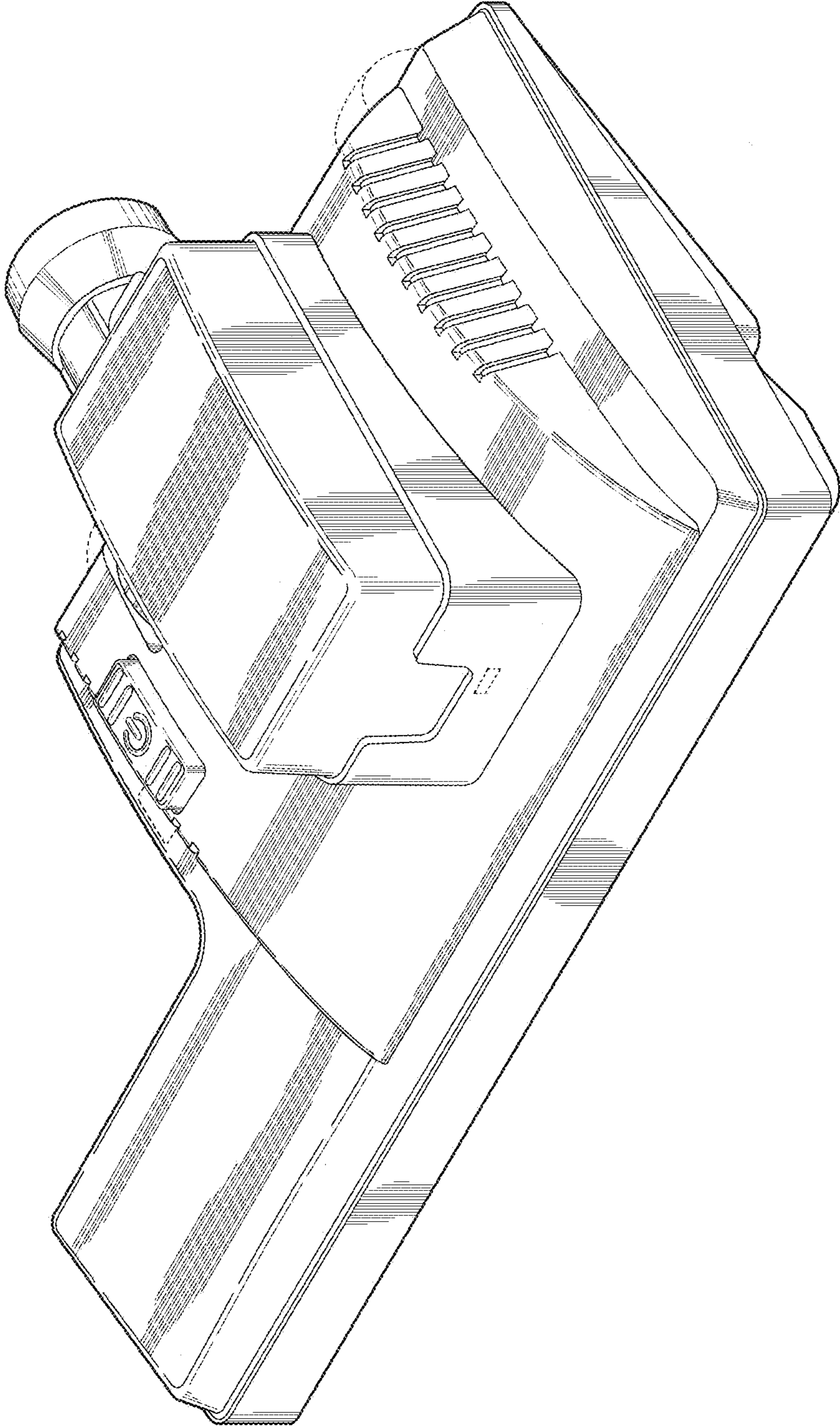


fig.1

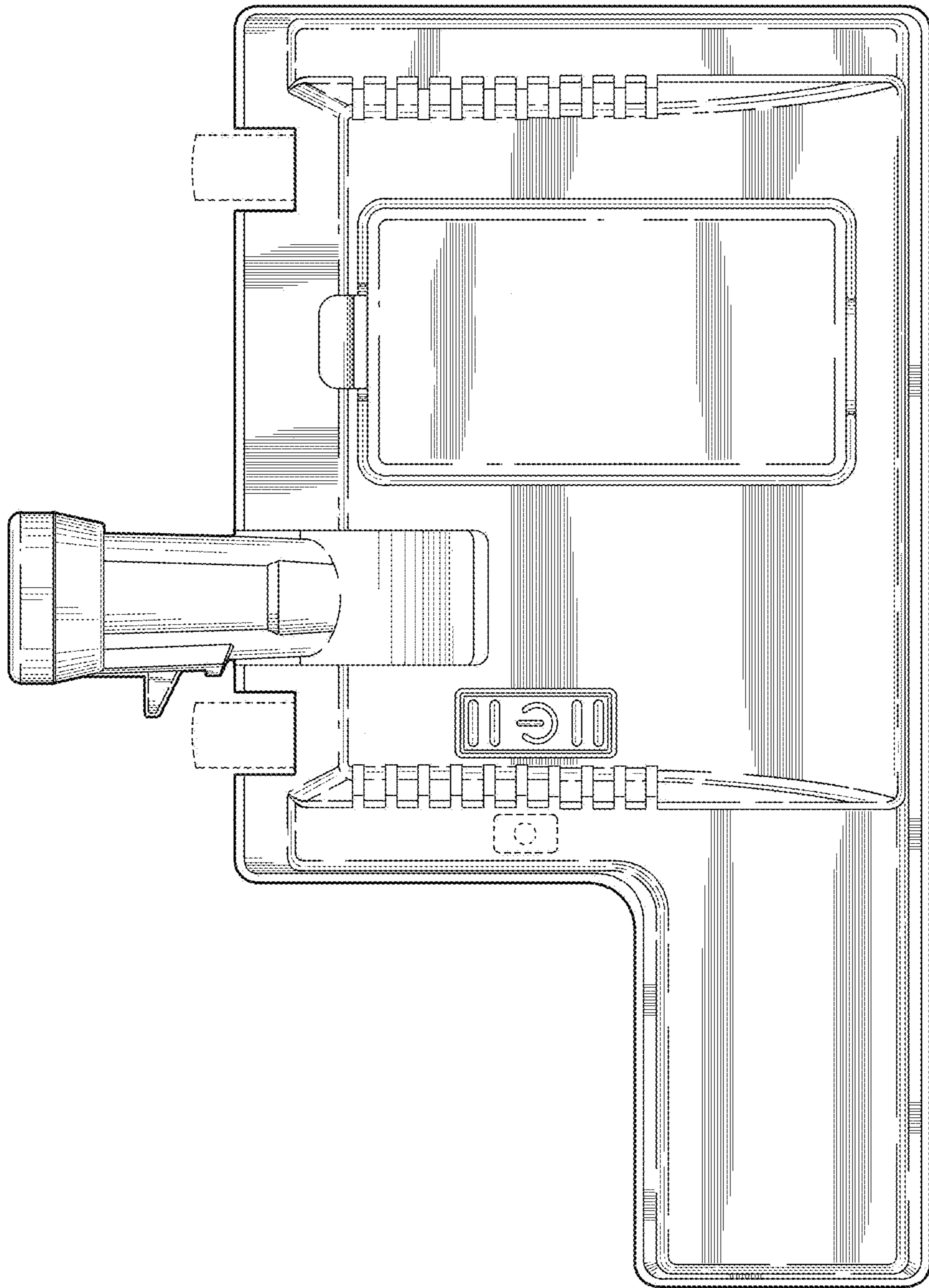


fig. 2

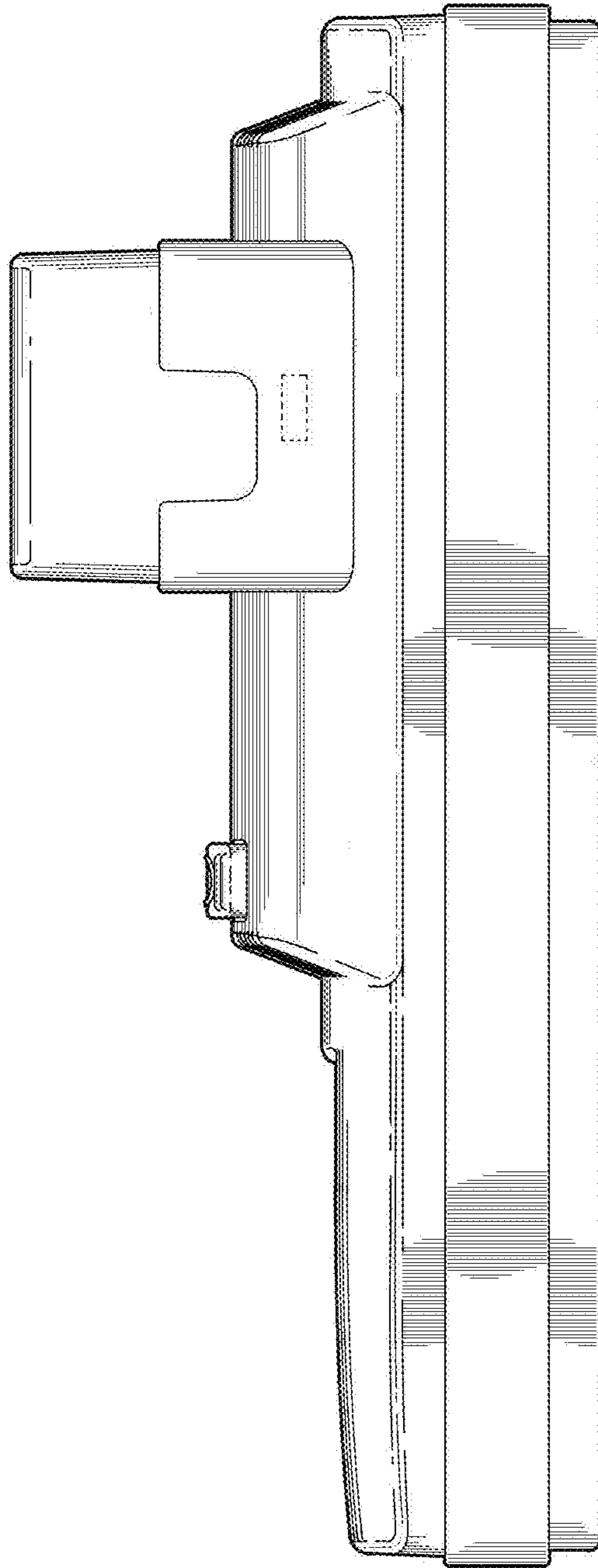


fig.3

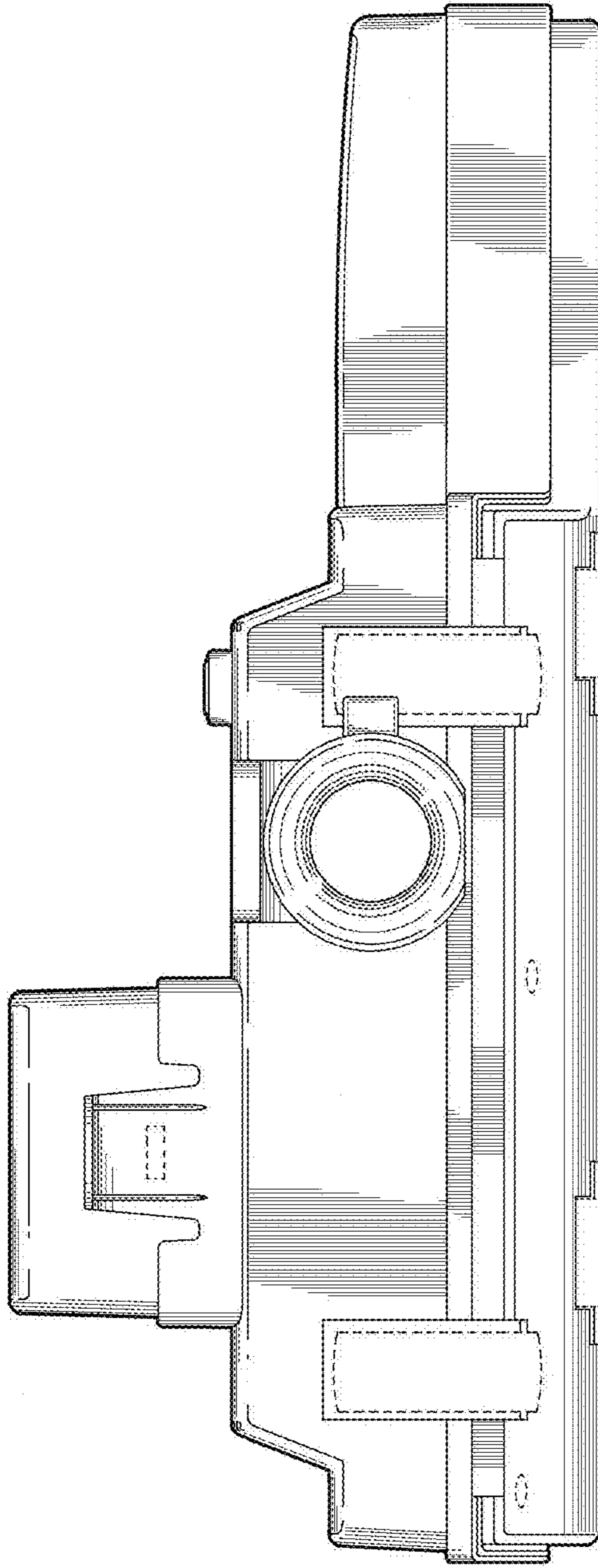


fig. 4

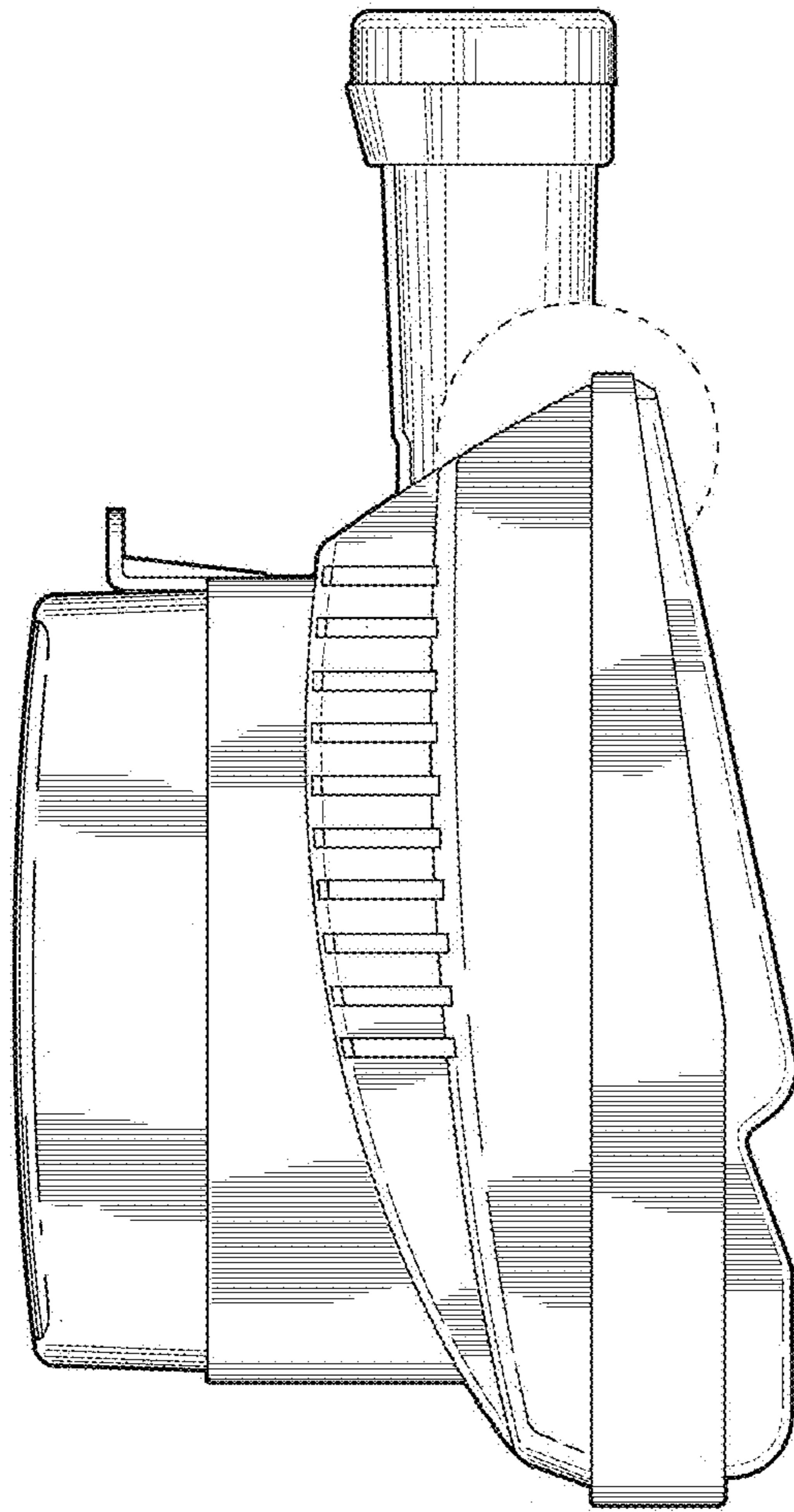


fig. 5

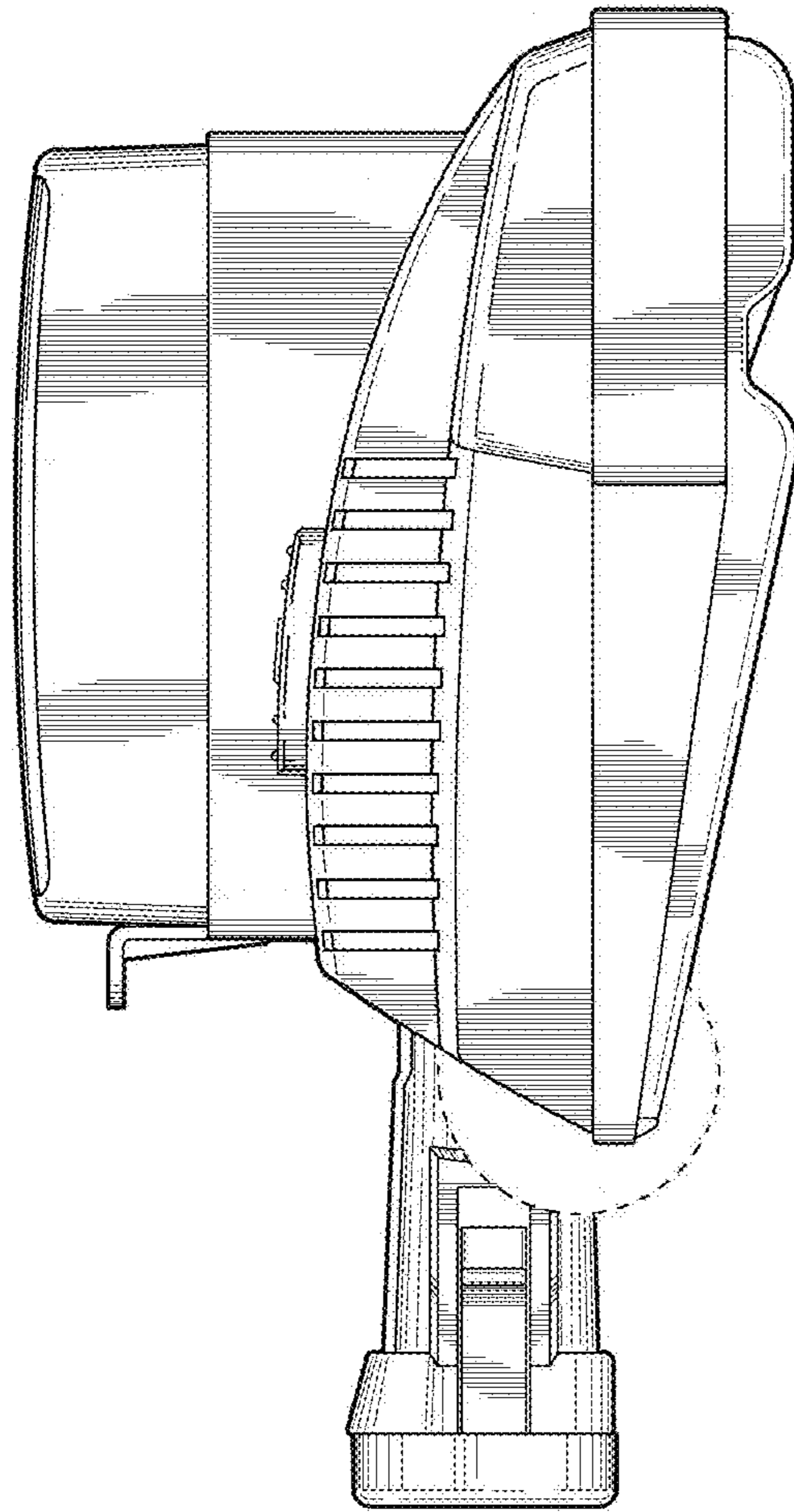


fig. 6

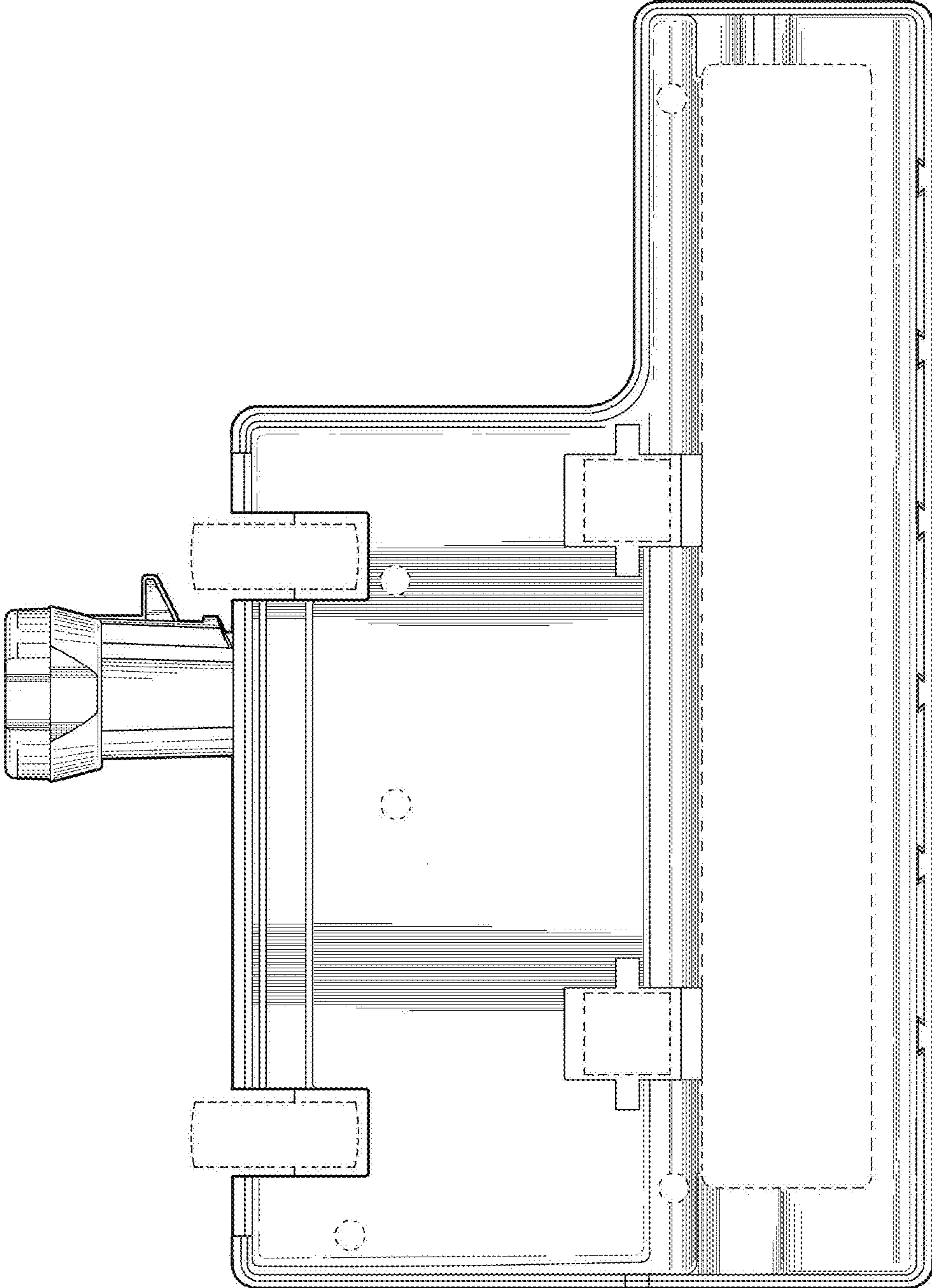


fig. 7

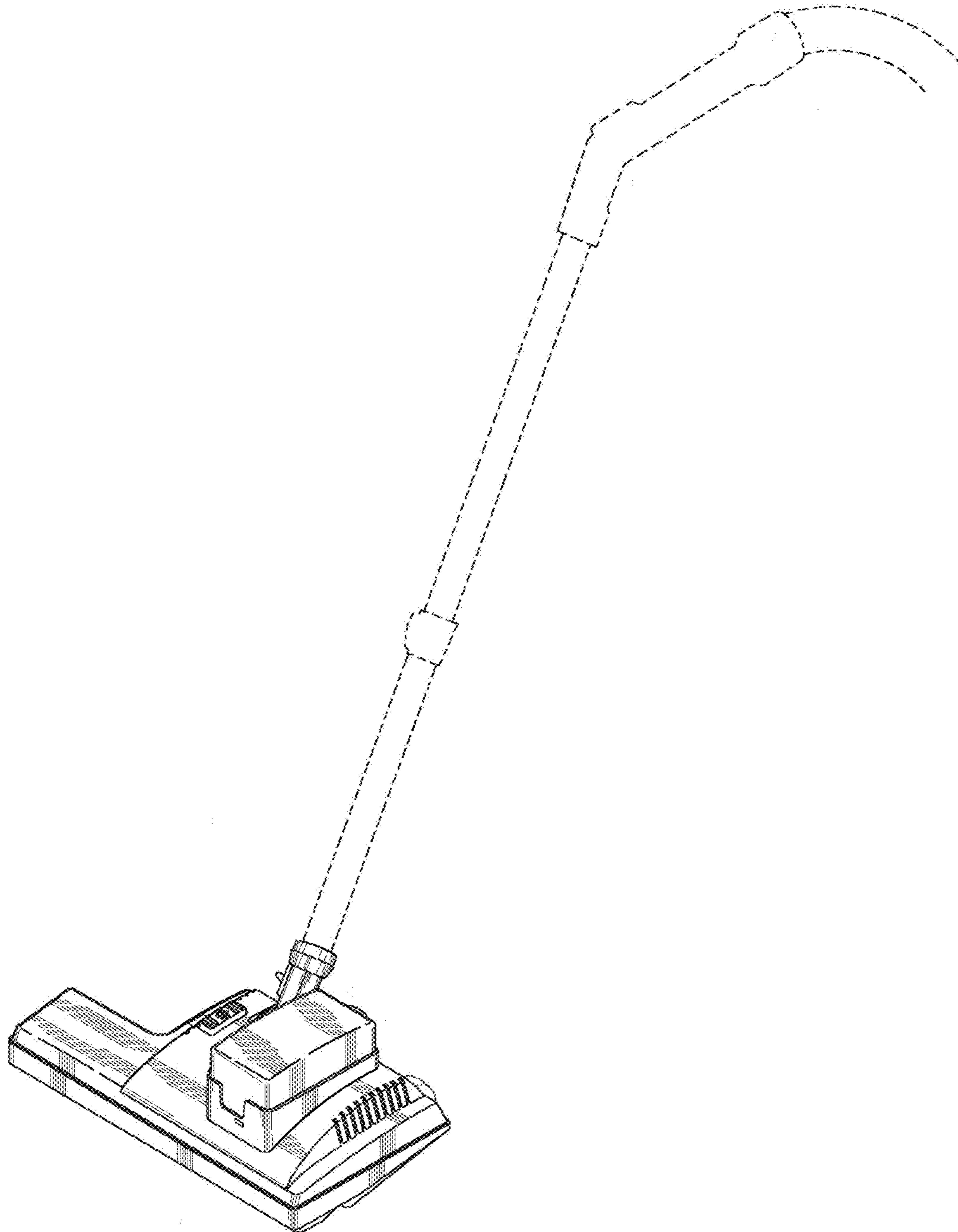


fig. 8