



US00D880085S

(12) **United States Design Patent**
Florucci

(10) **Patent No.:** **US D880,085 S**
(45) **Date of Patent:** **** Mar. 31, 2020**

(54) **DEVICE FOR LIMITING THE RATE AT WHICH AN ANIMAL CAN CONSUME FOOD FROM A CONTAINER**

D9/435, 436, 443, 444, 445, 454, 455, D9/456, 499; D13/154; 220/315, 220/319-324; D34/6, 10

(Continued)

(71) Applicant: **Michael Logan Florucci**, Colchester, VT (US)

(56) **References Cited**

(72) Inventor: **Michael Logan Florucci**, Colchester, VT (US)

U.S. PATENT DOCUMENTS

(**) Term: **15 Years**

D33,523 S * 11/1900 Hamilton D6/607
674,290 A * 5/1901 Wright A47G 7/045
248/302

(Continued)

(21) Appl. No.: **29/672,888**

Primary Examiner — Susan Moon Lee

(22) Filed: **Dec. 10, 2018**

(74) *Attorney, Agent, or Firm* — Thomas G. Ference

(51) **LOC (12) Cl.** **30-99**

(57) **CLAIM**

(52) **U.S. Cl.**

I claim the ornamental design for a device for limiting the rate at which an animal can consume food from a container, as shown and described.

USPC **D30/199**

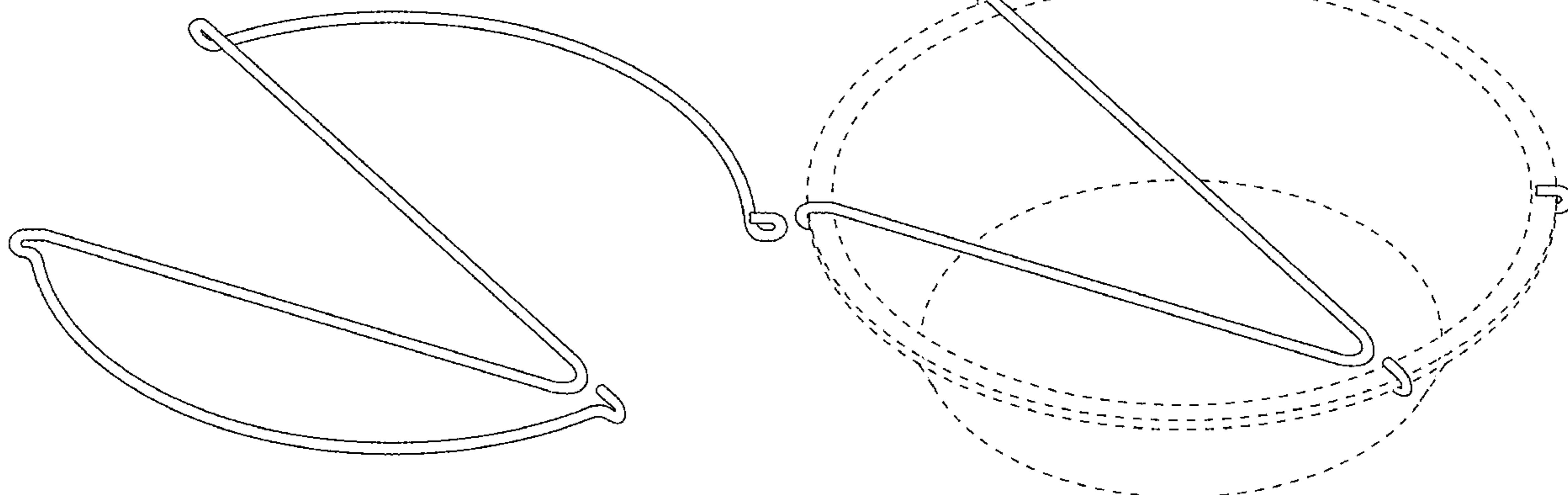
(58) **Field of Classification Search**

DESCRIPTION

USPC D30/199, 121, 129-133, 119; 119/51.01, 119/51.03, 52.1, 61.5, 61.53, 61.54, 119/61.56, 61.57, 68, 69, 72, 74, 81, 174; D6/607, 300, 512, 329, 702, 705.6, 524, D6/525, 537, 309-314, 317, 419, 462, D6/566, 457; D14/447; D19/86, 90, 91, D19/65; D7/601, 388, 631, 387, 396.1, D7/401.1, 403, 213; D2/642; D11/78.1, D11/1, 200, 201; D8/394, 395, 370, 396, D8/349; 248/442.2, 918, 279.1, 284.1, 248/454, 457, 917, 65, 211, 309.1, 441.1, 248/455, 460, 923, 475.1, 477-479, 488, 248/469-471, 371, 447, 393, 398, 122.1, 248/127, 133, 136; 108/10, 28, 32, 6, 12, 108/14, 16, 11, 25, 26, 27, 29, 31, 30, 108/161; 141/390; 211/38, 89.01, 1, 2, 211/4, 7, 8, 10-12, 13.1, 85.4, 85.5, 27, 211/29, 41.7, 41.9, 41.11, 86.01, 90.03, 211/100, 120, 124, 181.1, 183, 184, 175; 40/658; 24/17 B, 67.9, 67.3, 499, 67 R, 24/562, 563, 545, 33 R; 7/151; 72/379.2; D23/262, 249, 303; D9/434,

FIG. 1 is a top, left side perspective view of a device for limiting the rate at which an animal can consume food from a container, in accordance with my new design;
FIG. 2 is a top plan view thereof;
FIG. 3 is a bottom plan view thereof;
FIG. 4 is a front elevation view thereof;
FIG. 5 is a back elevation view thereof;
FIG. 6 is a left-side elevation view thereof;
FIG. 7 is a right-side elevation view thereof;
FIG. 8 is an in-use top perspective view of the device for limiting the rate at which an animal can consume food from a container;
FIG. 9 is a top plan view thereof; and,
FIG. 10 is a bottom view thereof.
The illustrative broken line showing of a bowl in FIGS. 8-10 depicts an exemplary component which might be used in conjunction with the limiting device and forms no part of the design claim.

1 Claim, 10 Drawing Sheets



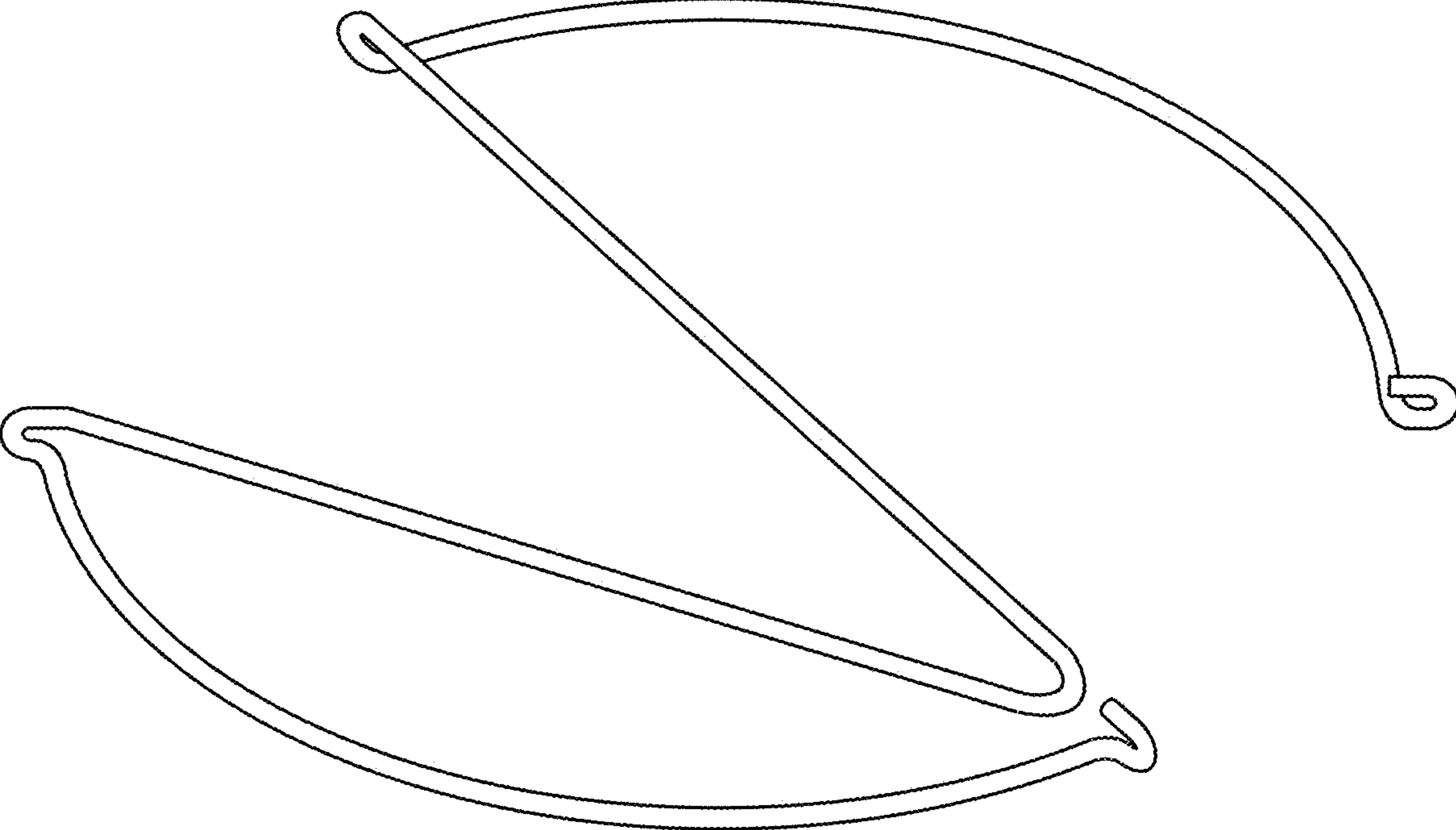


Figure 1

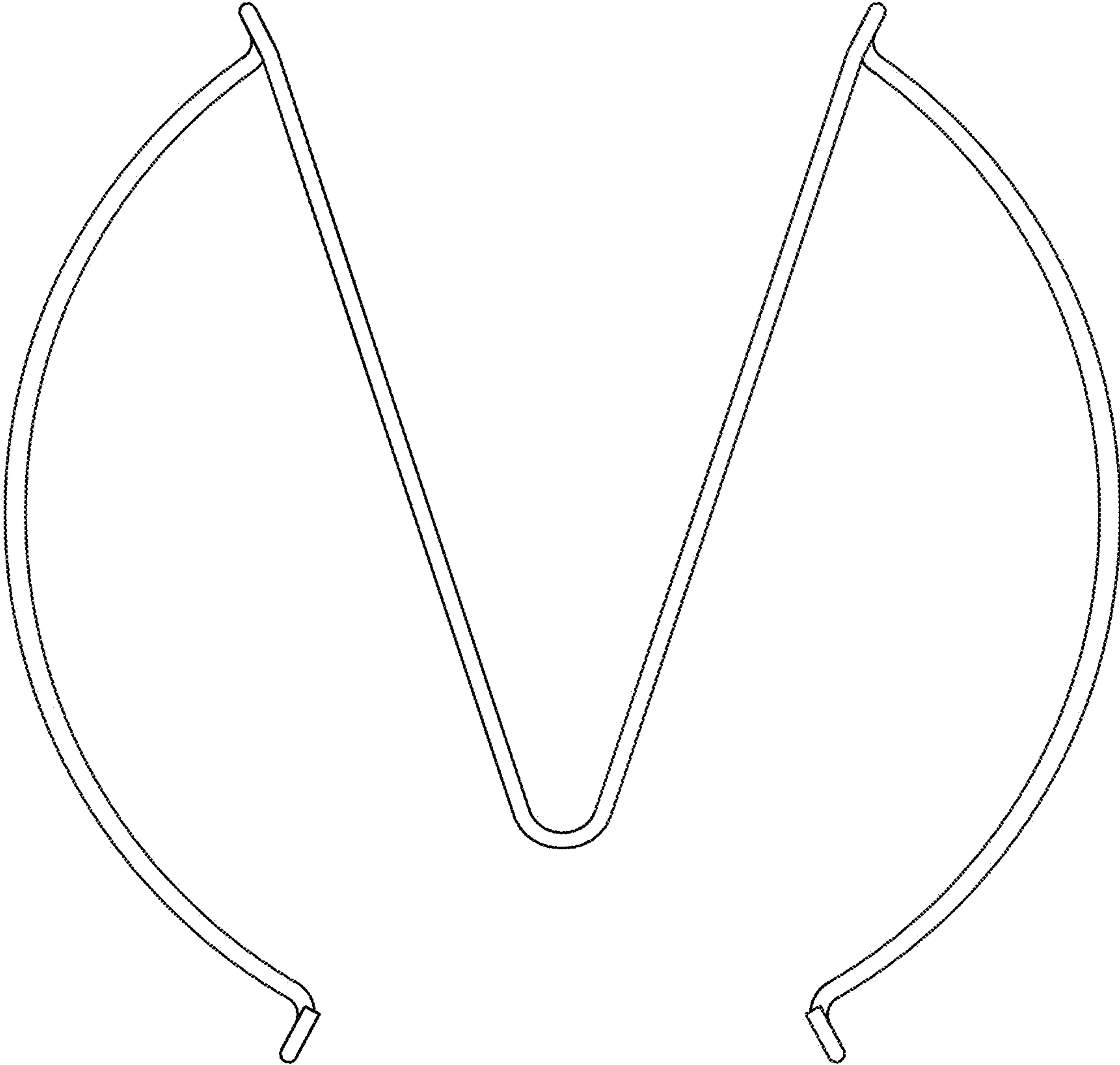


Figure 2

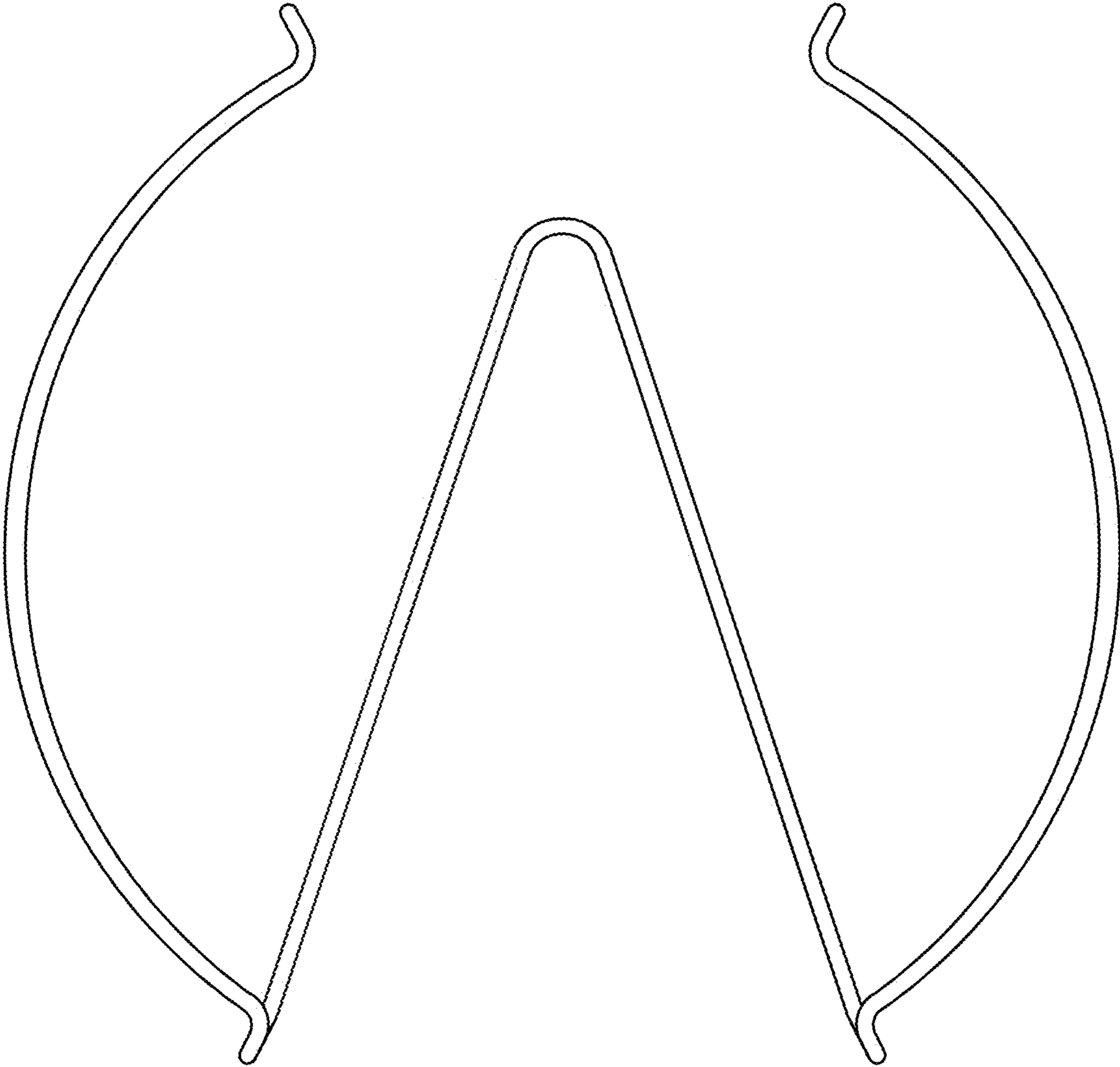


Figure 3

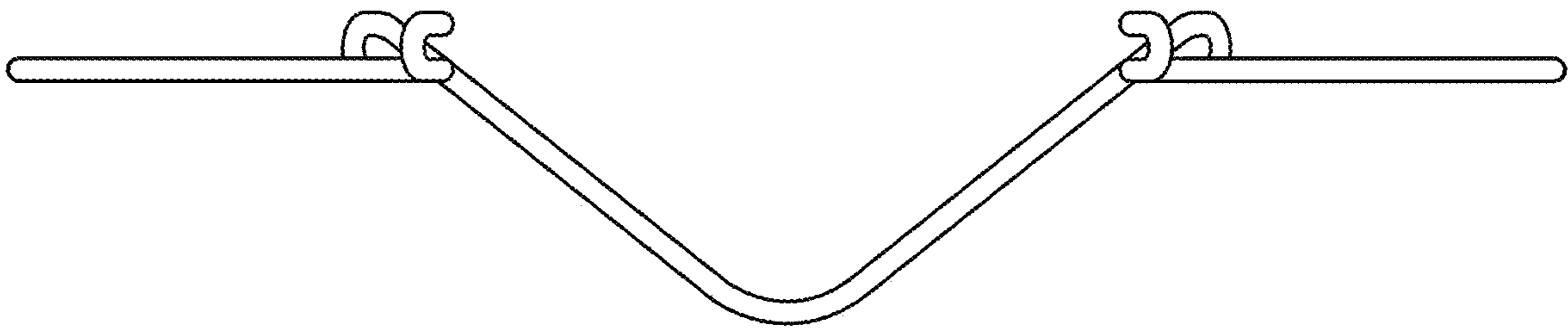


Figure 4

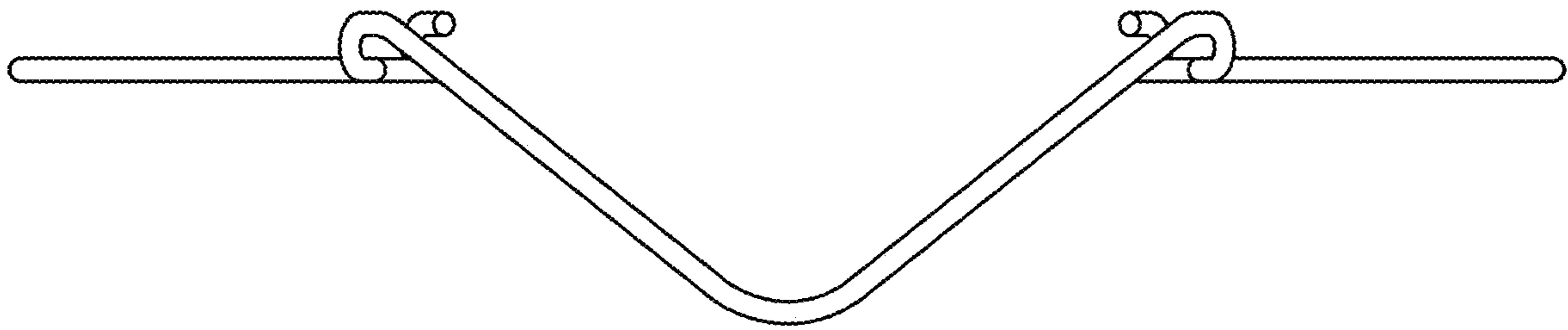


Figure 5

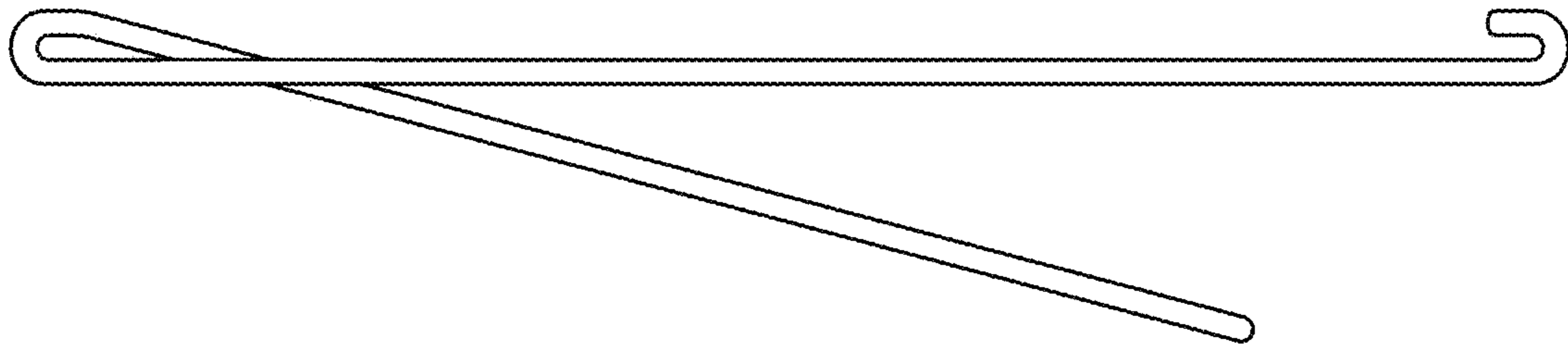


Figure 6

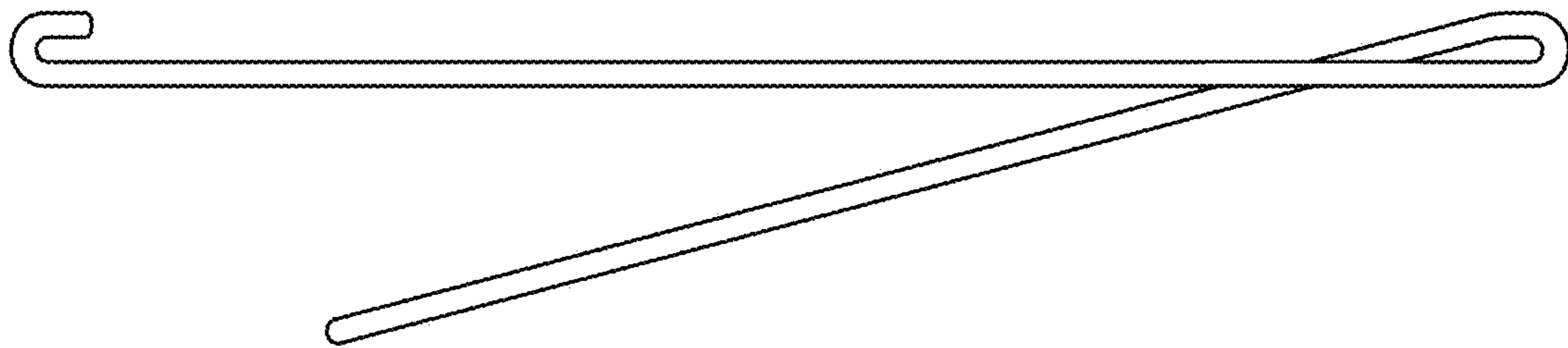


Figure 7

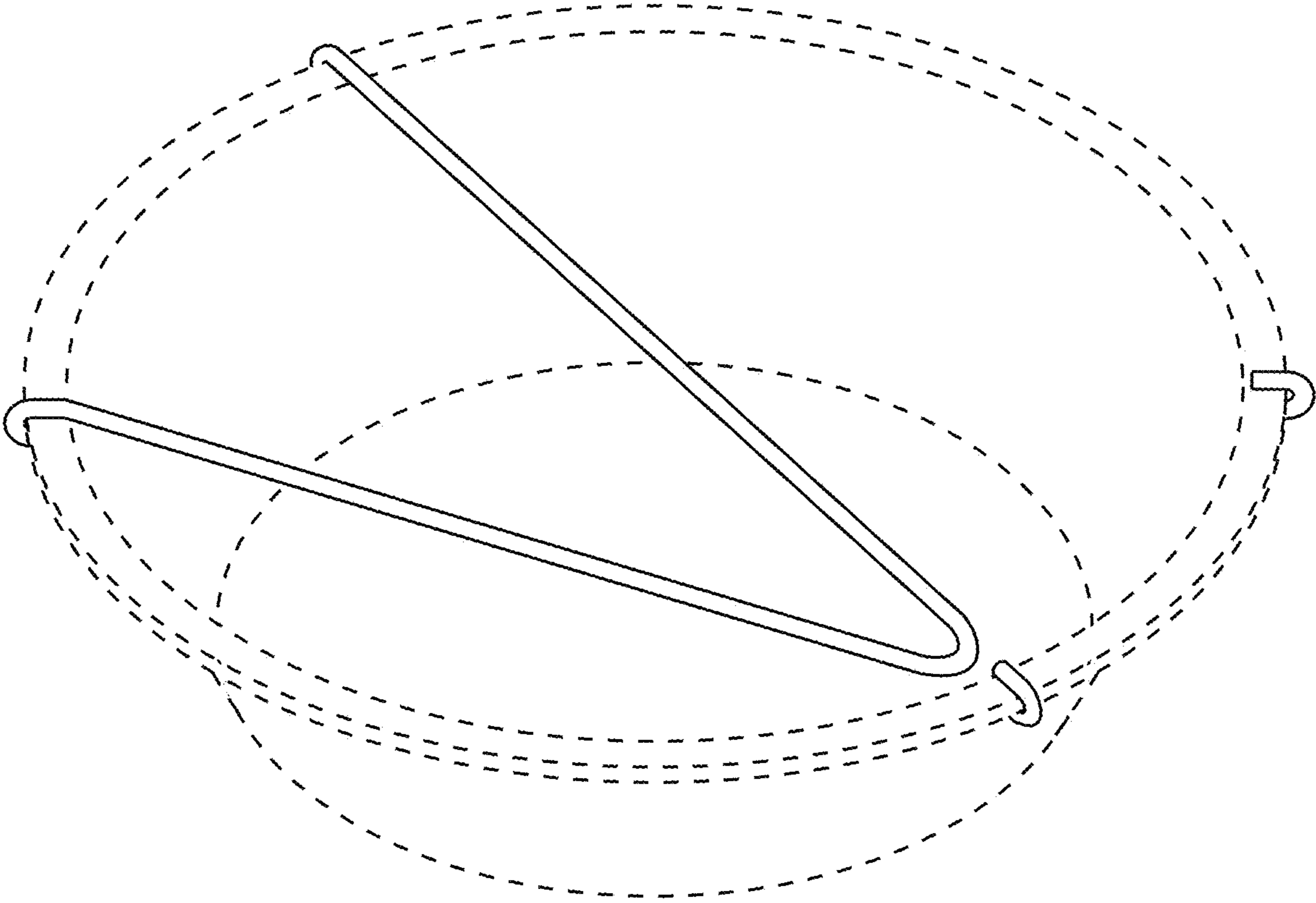


Figure 8

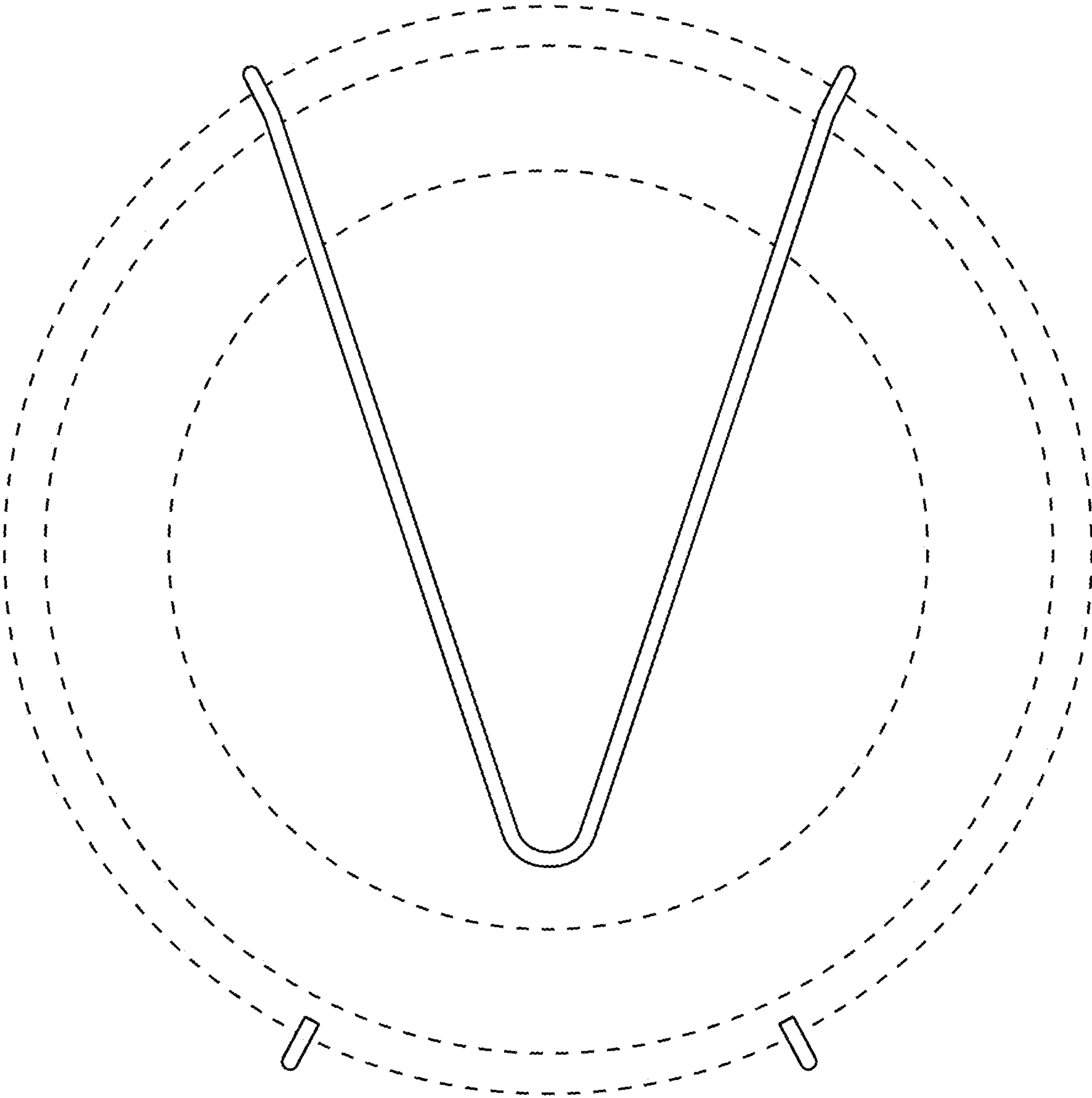


Figure 9

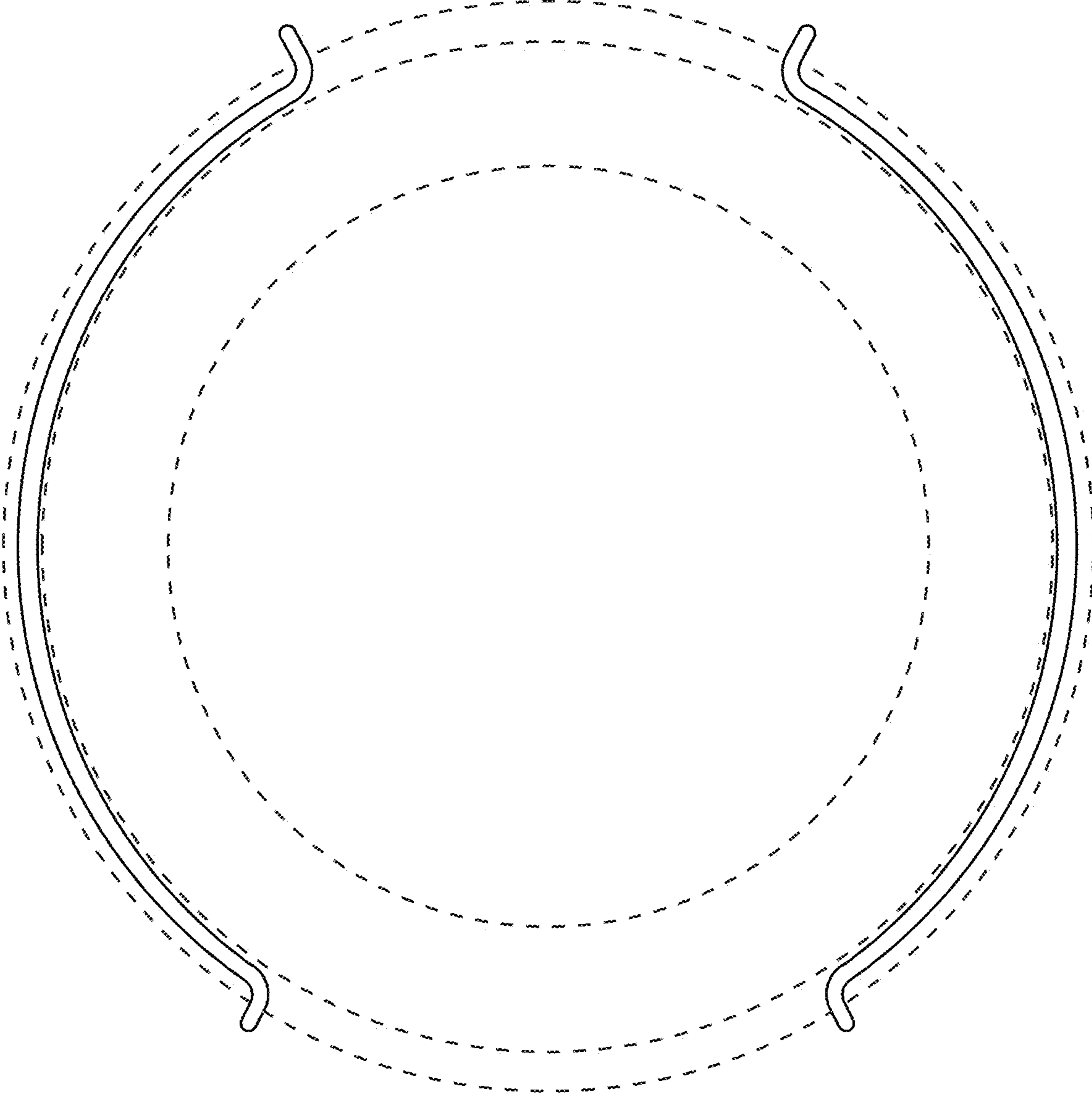


Figure 10