



US00D880082S

(12) **United States Design Patent**
Zinn et al.

(10) **Patent No.:** **US D880,082 S**
(45) **Date of Patent:** **** Mar. 31, 2020**

- (54) **RECEIVER FOR A PET COLLAR**
- (71) Applicant: **Radio Systems Corporation**,
Knoxville, TN (US)
- (72) Inventors: **Kevin Zinn**, Knoxville, TN (US);
Robert A. Nytko, Knoxville, TN (US);
Heather Williams, Knoxville, TN (US);
Kenneth R. Wacasey, Knoxville, TN
(US)
- (73) Assignee: **RADIO SYSTEMS CORPORATION**,
Knoxville, TN (US)
- (**) Term: **15 Years**
- (21) Appl. No.: **29/596,339**
- (22) Filed: **Mar. 7, 2017**

Related U.S. Application Data

- (63) Continuation-in-part of application No. 29/557,723,
filed on Mar. 11, 2016, now Pat. No. Des. 788,999.
- (51) **LOC (12) Cl.** **30-04**
- (52) **U.S. Cl.**
USPC **D30/152**
- (58) **Field of Classification Search**
USPC D14/144, 147-148, 155, 159, 188,
D14/191-192; D10/106.1; D22/120;
D30/144, 151, 152

(Continued)

(56) **References Cited**

U.S. PATENT DOCUMENTS

- 4,794,402 A 12/1988 Gonda et al.
- 4,802,482 A 2/1989 Gonda et al.

(Continued)

OTHER PUBLICATIONS

SportDOG replacement dog collar receiver at www.llbean.com,
accessed Mar. 27, 2016.

(Continued)

Primary Examiner — George D. Kirschbaum
Assistant Examiner — Joseph J Kukella
(74) *Attorney, Agent, or Firm* — Baker, Donelson,
Bearman, Caldwell & Berkowitz PC

(57) **CLAIM**

The ornamental design for a receiver for a pet collar, as
shown and described.

DESCRIPTION

FIG. 1 is a first perspective view showing our new design for a receiver for a pet collar, taken from a right front angle, in a first embodiment.

FIG. 2 is a second perspective view of the receiver of FIG. 1, but taken from a left front angle.

FIG. 3 is a third perspective view of the receiver of FIG. 1, but taken from a top right angle.

FIG. 4 is a top view thereof.

FIG. 5 is a bottom view thereof.

FIG. 6 is a front elevational view thereof.

FIG. 7 is a back elevational view thereof.

FIG. 8 is a left side elevational view thereof.

FIG. 9 is a right side elevational view thereof, which is a mirror image of the left side elevational view.

FIG. 10 is a first perspective view showing our new design for a receiver for a pet collar, taken from a right front angle, in a second embodiment.

FIG. 11 is a second perspective view of the receiver of FIG. 10, but taken from a left front angle.

FIG. 12 is a third perspective view of the receiver of FIG. 10, but taken from a top right angle.

FIG. 13 is a top view thereof.

FIG. 14 is a bottom view thereof.

FIG. 15 is a front elevational view thereof.

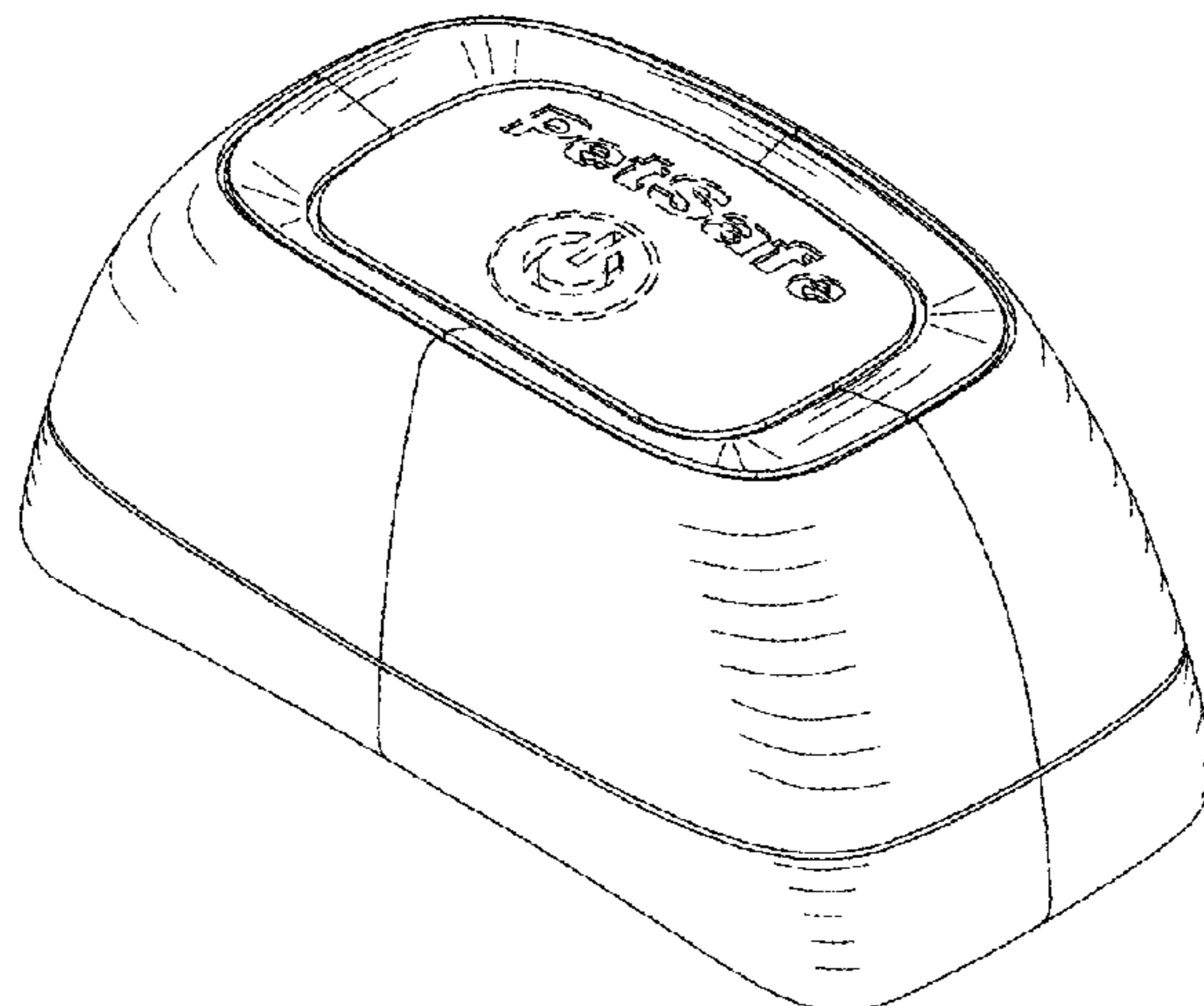
FIG. 16 is a back elevational view thereof.

FIG. 17 is a left side elevational view thereof; and,

FIG. 18 is a right side elevational view thereof, which is a mirror image of the left side elevational view.

The structural features shown in broken lines have been shown for the purpose of illustrating portions of the receiver for a pet collar that form no part of the claimed design.

(Continued)



The broken lines for the trademark "PetSafe" are included for the purpose of illustrating environment and form no part of the claimed design.

1 Claim, 6 Drawing Sheets

(58) Field of Classification Search

CPC A01K 15/00; A01K 15/021; A01K 15/022;
A01K 15/023

See application file for complete search history.

(56) References Cited

U.S. PATENT DOCUMENTS

| | | | | |
|-----------|-----|---------|----------------|---------|
| 4,947,795 | A | 8/1990 | Farkas | |
| 5,054,428 | A | 10/1991 | Farkus | |
| D330,173 | S * | 10/1992 | Juliana | D30/152 |
| 5,207,178 | A | 5/1993 | McDade et al. | |
| 5,526,006 | A | 6/1996 | Akahane et al. | |
| 5,601,054 | A | 2/1997 | So | |
| 5,815,077 | A | 9/1998 | Christiansen | |
| D410,206 | S | 5/1999 | Slater | |
| 5,923,254 | A | 7/1999 | Brune | |
| 5,927,233 | A | 7/1999 | Mainini et al. | |
| 6,019,066 | A | 2/2000 | Taylor | |
| 6,196,990 | B1 | 3/2001 | Zicherman | |
| 6,327,999 | B1 | 12/2001 | Gerig | |
| 6,360,697 | B1 | 3/2002 | Williams | |
| 6,598,563 | B2 | 7/2003 | Kim et al. | |
| D478,830 | S | 8/2003 | So | |
| D478,831 | S | 8/2003 | So | |
| 6,807,720 | B2 | 10/2004 | Brune et al. | |
| 6,907,844 | B1 | 6/2005 | Crist | |
| D526,590 | S | 8/2006 | So | |
| 7,198,009 | B2 | 4/2007 | Crist et al. | |
| 7,222,589 | B2 | 5/2007 | Lee et al. | |
| 7,249,572 | B2 | 7/2007 | Goetzl | |
| 7,267,081 | B2 | 9/2007 | Steinbacher | |
| 7,562,640 | B2 | 7/2009 | Lalor | |
| 7,607,406 | B2 | 10/2009 | So | |
| 7,667,607 | B2 | 2/2010 | Gerig et al. | |
| 7,900,585 | B2 | 3/2011 | Lee, IV et al. | |
| 7,996,983 | B2 | 8/2011 | Lee, IV et al. | |

| | | | | |
|-----------|-----|---------|-----------------|------------------------|
| 8,011,327 | B2 | 9/2011 | Mainini et al. | |
| 8,069,823 | B2 | 12/2011 | Mainini et al. | |
| 8,098,164 | B2 | 1/2012 | Gerig et al. | |
| D657,098 | S * | 4/2012 | So | D30/152 |
| D661,846 | S * | 6/2012 | Miller | D30/152 |
| D665,952 | S * | 8/2012 | Guo | D30/152 |
| D666,367 | S * | 8/2012 | Miller | D30/152 |
| 8,342,134 | B2 | 1/2013 | Lee, IV et al. | |
| 8,342,135 | B2 | 1/2013 | Peinetti et al. | |
| D699,758 | S * | 2/2014 | Lavin | D14/496 |
| 8,714,113 | B2 | 5/2014 | Lee, IV et al. | |
| D706,500 | S * | 6/2014 | Hu | D30/152 |
| 8,803,692 | B2 | 8/2014 | Goetzl et al. | |
| D788,999 | S * | 6/2017 | Zinn | D30/152 |
| D798,003 | S * | 9/2017 | Dong | D30/199 |
| D812,499 | S * | 3/2018 | Kuh | D10/70 |
| D819,280 | S * | 5/2018 | Li | D30/199 |
| D822,922 | S * | 7/2018 | Wen | D30/199 |
| D834,769 | S * | 11/2018 | Wen | D30/199 |
| D836,858 | S * | 12/2018 | Zinn | D30/199 |
| D846,817 | S * | 4/2019 | Li | D30/152 |
| D850,732 | S * | 6/2019 | Dong | D30/152 |
| D850,733 | S * | 6/2019 | Dong | D30/152 |
| D851,339 | S * | 6/2019 | Solinsky | A01K 15/022 D30/152 |

| | | | | |
|--------------|-----|---------|--------------|-------------|
| 2003/0169207 | A1 | 9/2003 | Beigel | |
| 2005/0059909 | A1 | 3/2005 | Burges | |
| 2005/0145196 | A1 | 7/2005 | Crist et al. | |
| 2005/0235924 | A1 | 10/2005 | Lee et al. | |
| 2005/0263106 | A1 | 12/2005 | Steinbacher | |
| 2006/0102101 | A1 | 5/2006 | Kim | |
| 2008/0163827 | A1 | 7/2008 | Goetzl | |
| 2009/0012355 | A1 | 1/2009 | Lin | |
| 2010/0154721 | A1 | 6/2010 | Gerig | |
| 2015/0040839 | A1 | 2/2015 | Goetzl | |
| 2018/0153138 | A1* | 6/2018 | Goetzl | A01K 15/022 |

OTHER PUBLICATIONS

PetSafe in-ground fence dog collar receiver at www.flexpetz.com accessed Mar. 27, 2016.
 Petrainer e-collar for dogs at www.i-pets-mall accessed Mar. 27, 2016.
 PetSafe wireless fence system with dog boundary collar at www.petsafe.net accessed Mar. 27, 2016.

* cited by examiner

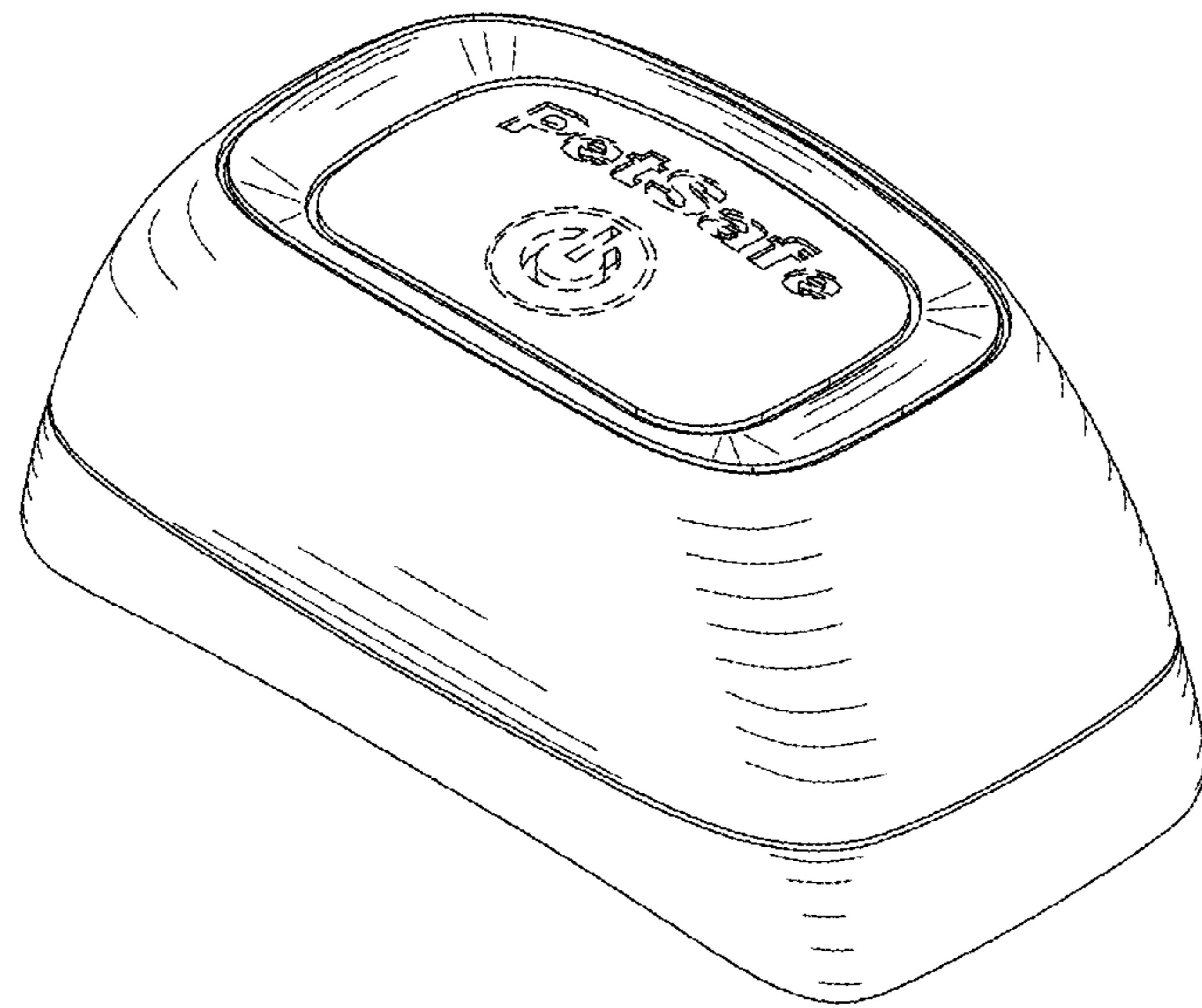


FIG. 1

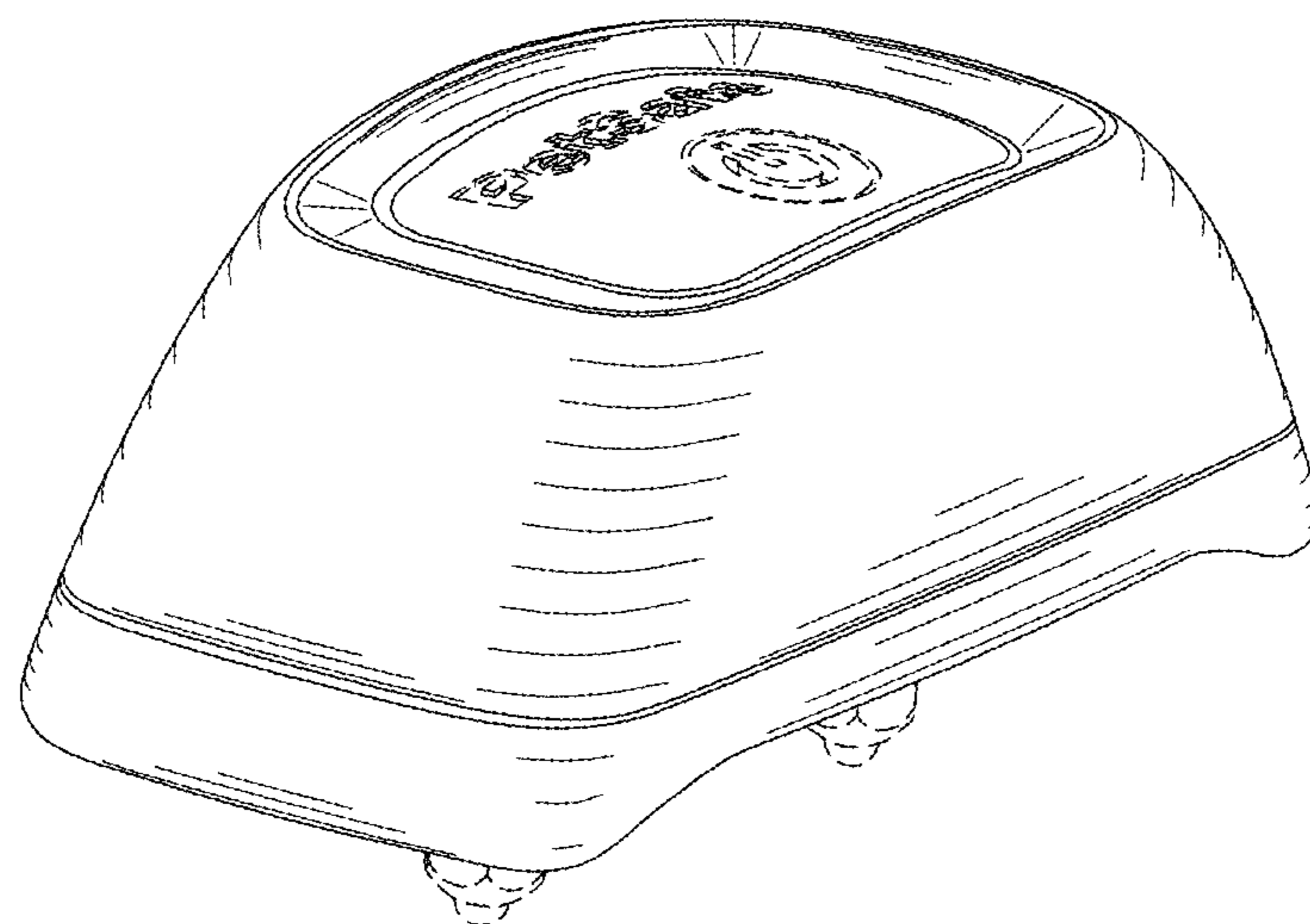


FIG. 2

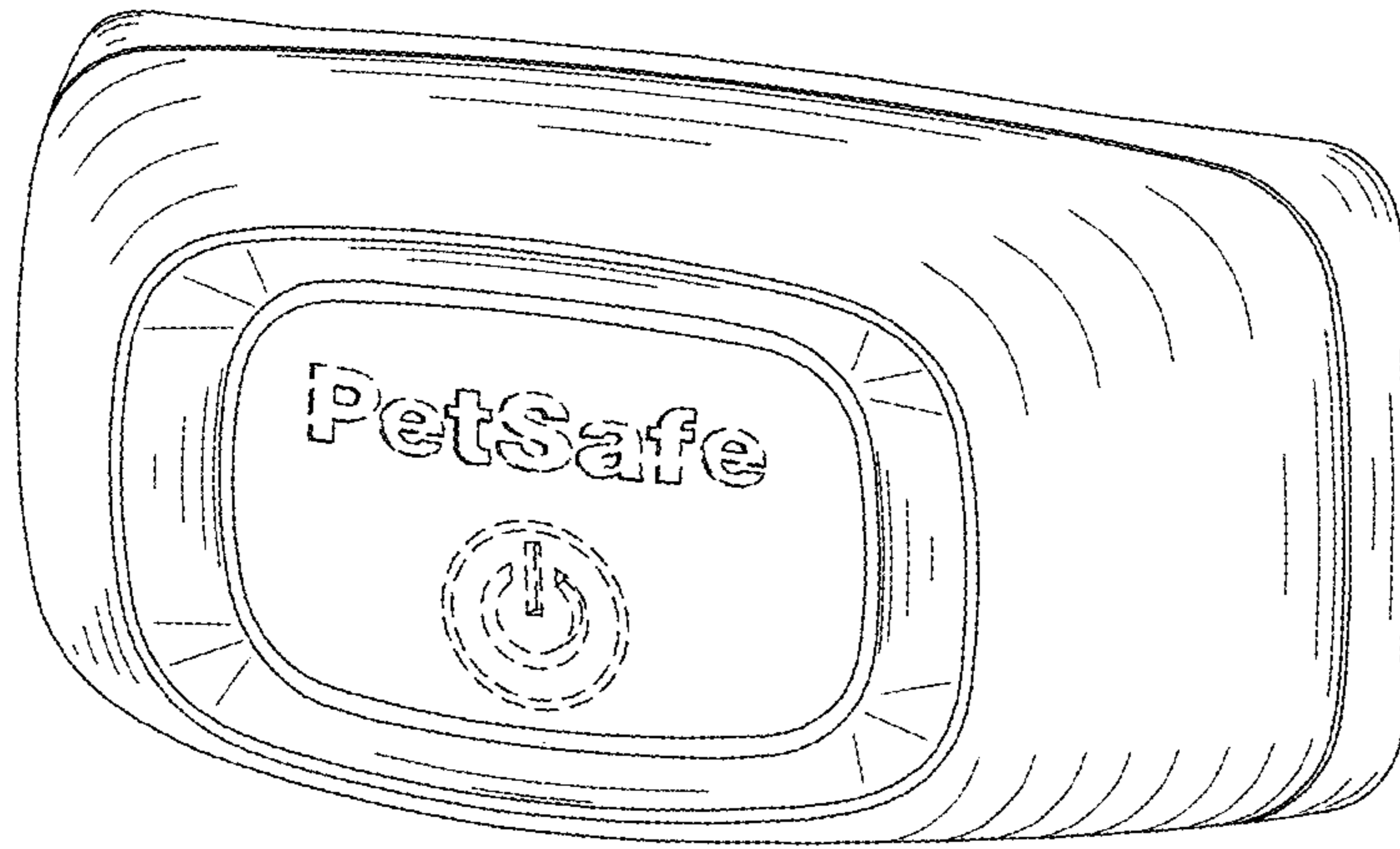


FIG. 3

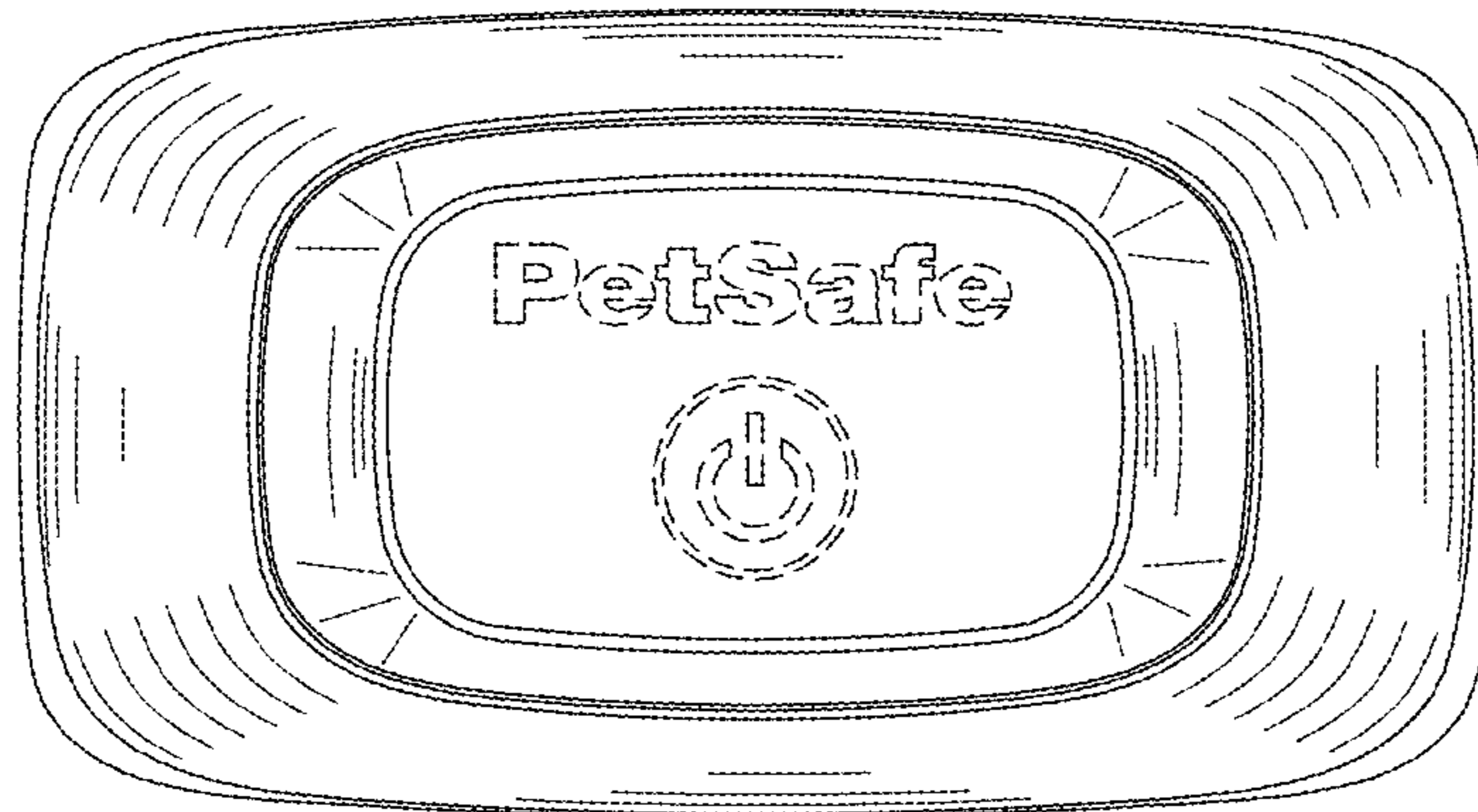


FIG. 4

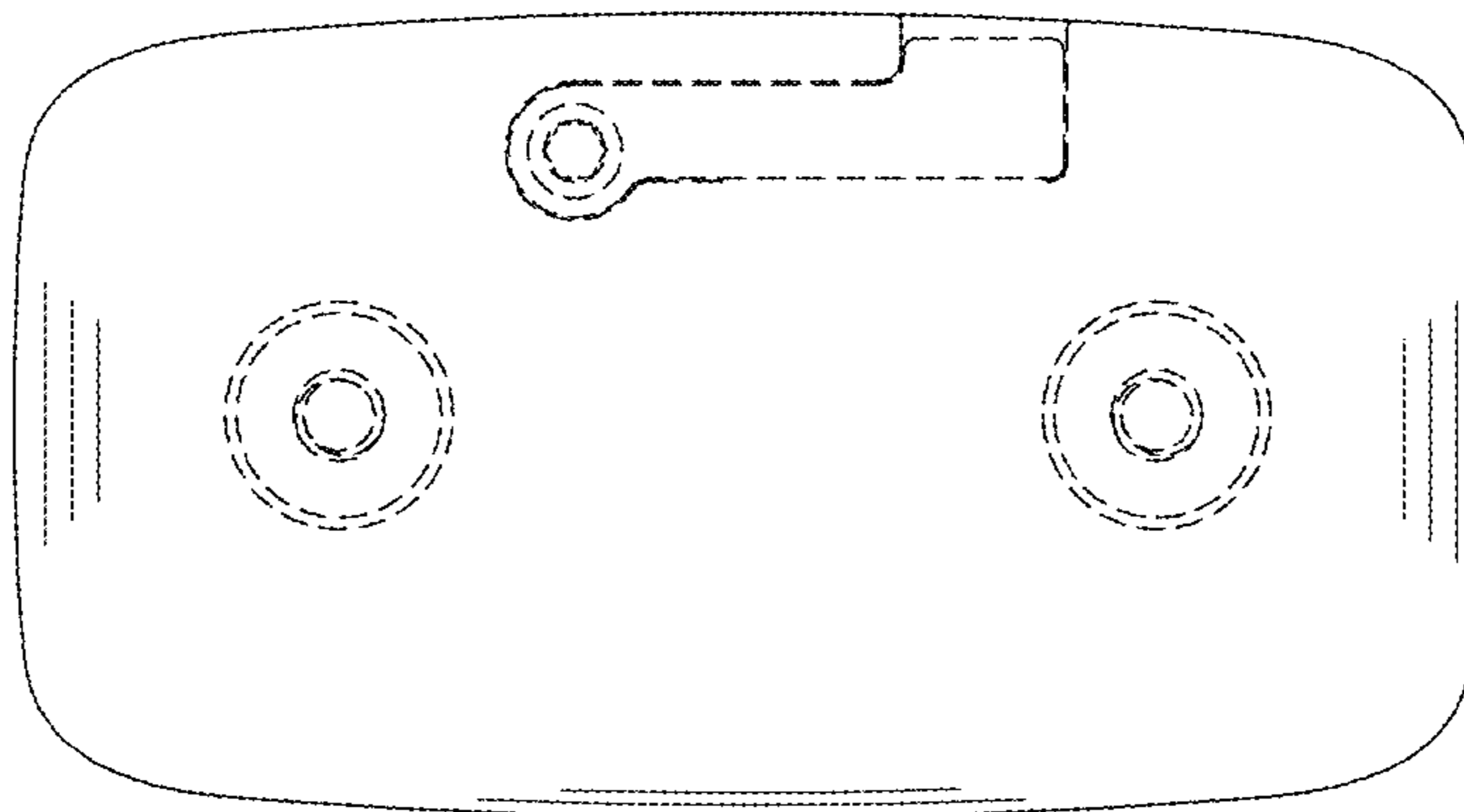


FIG. 5

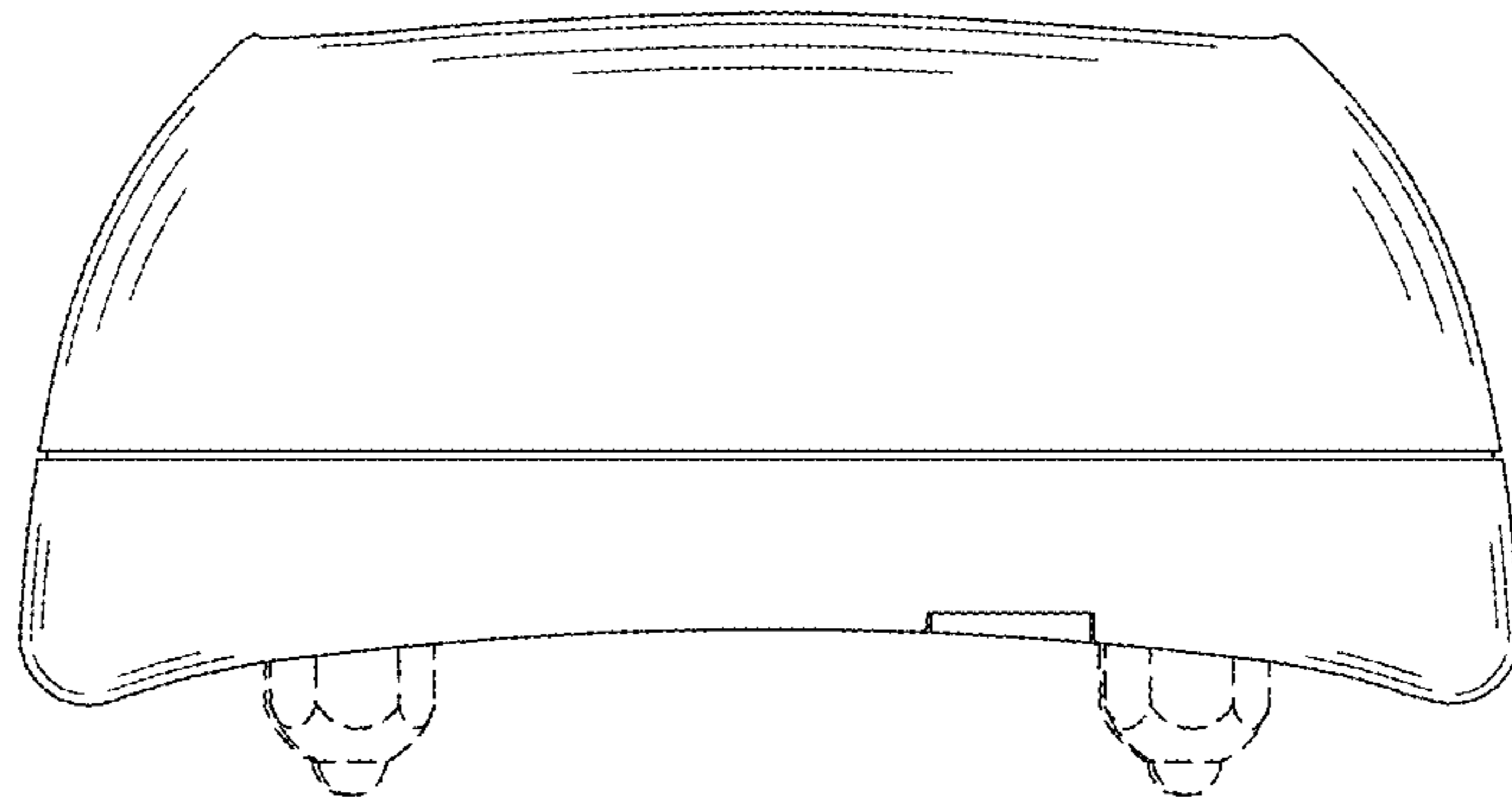


FIG. 6

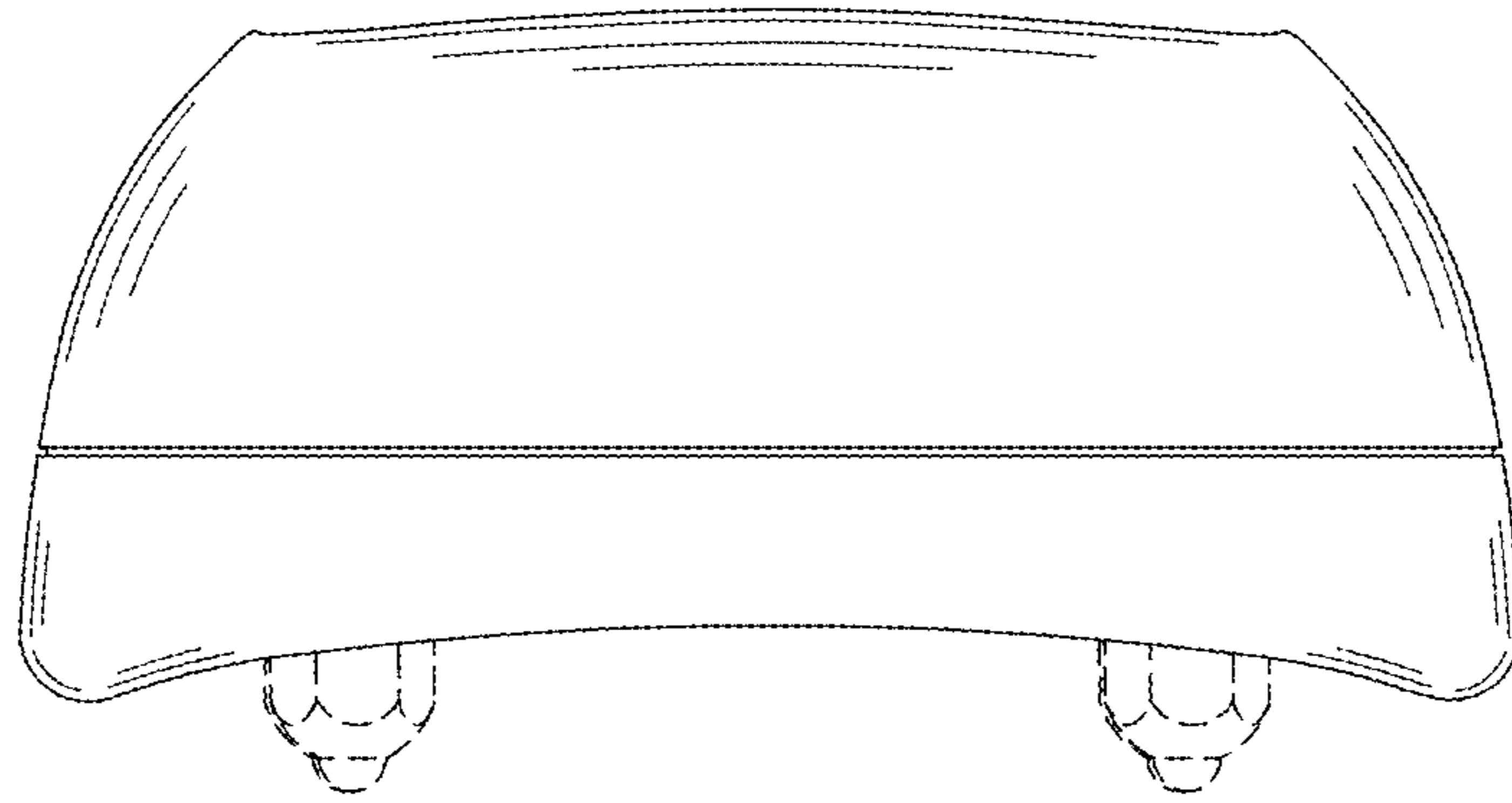


FIG. 7

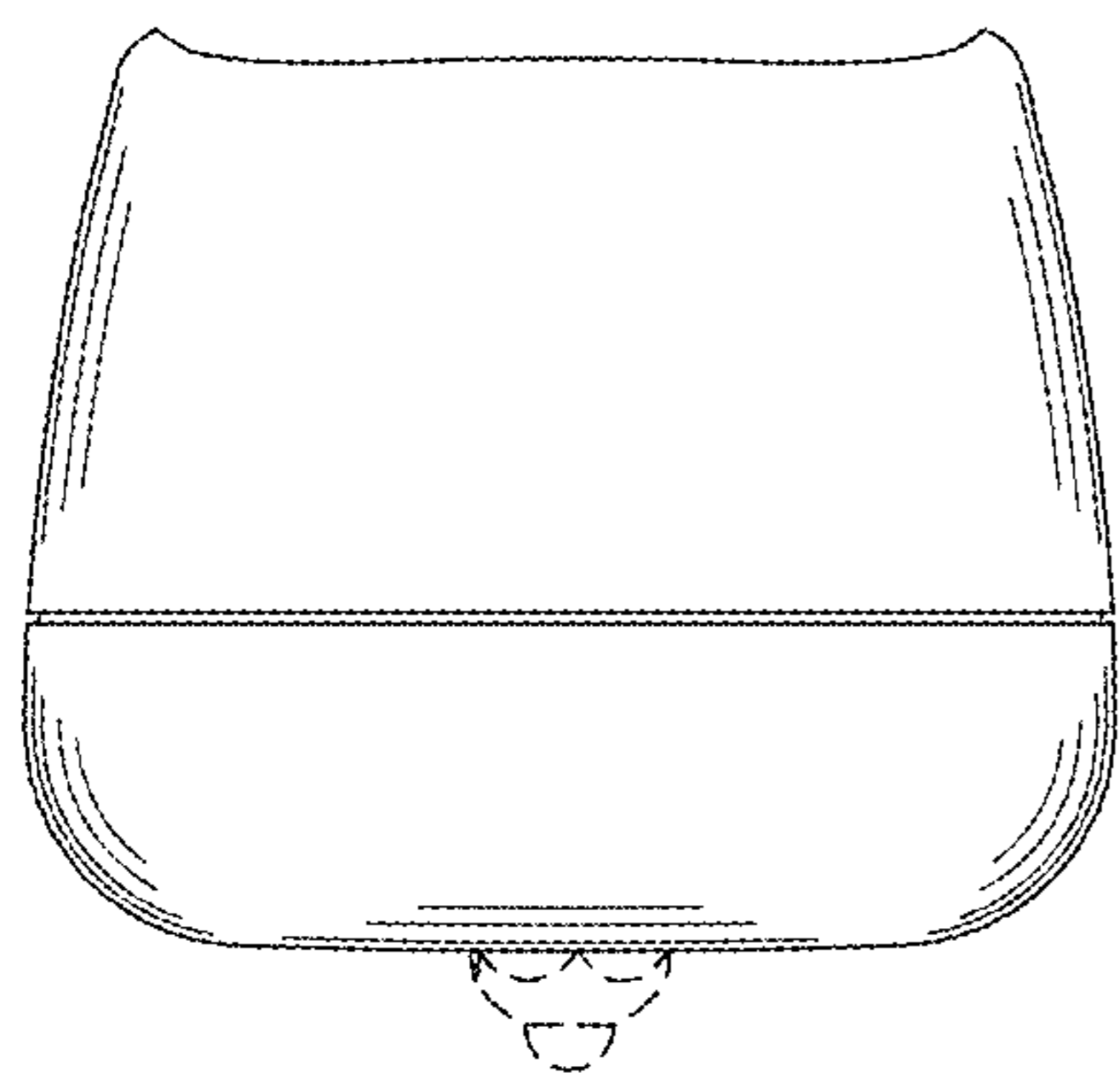


FIG. 8

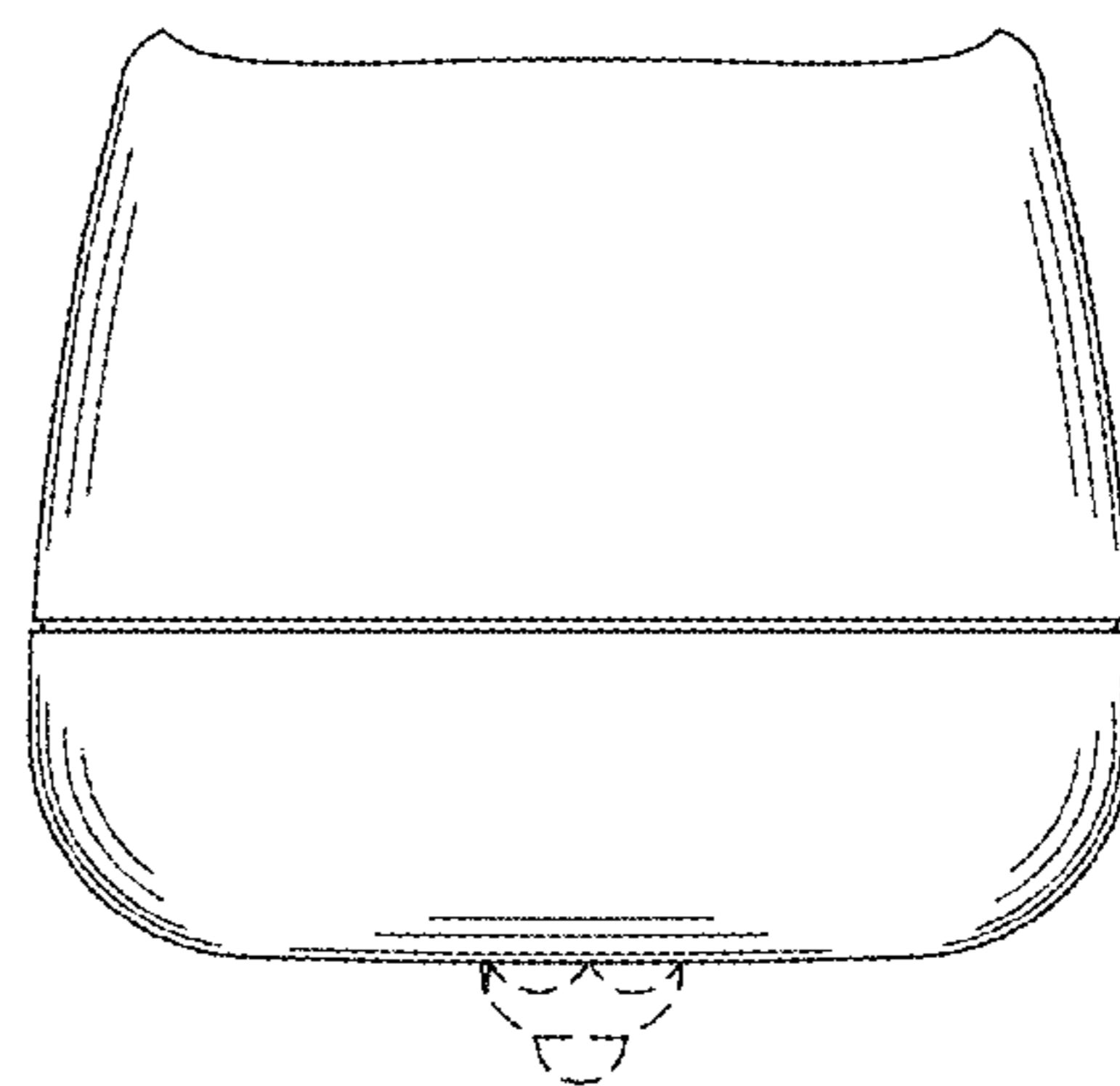


FIG. 9

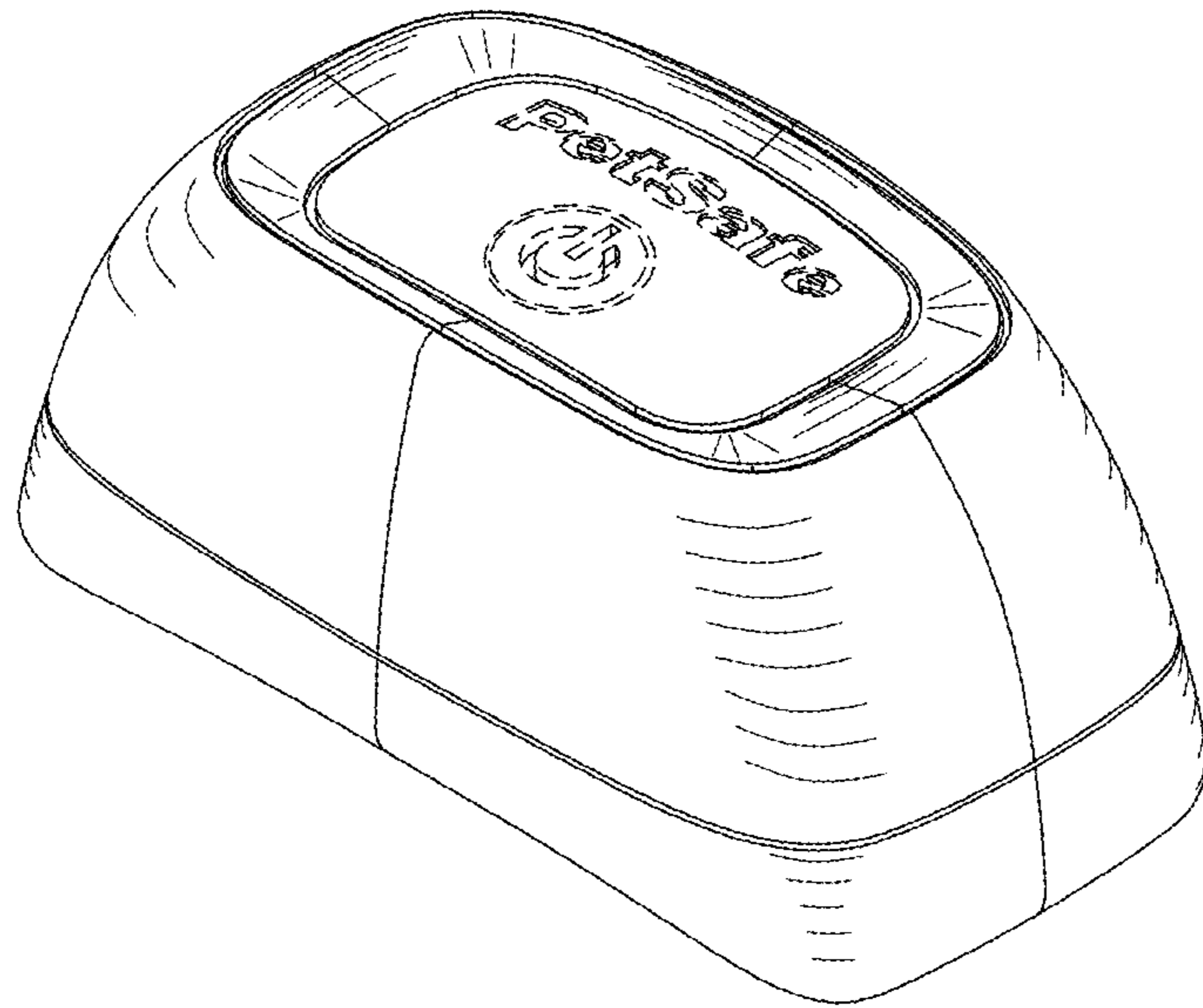


FIG. 10

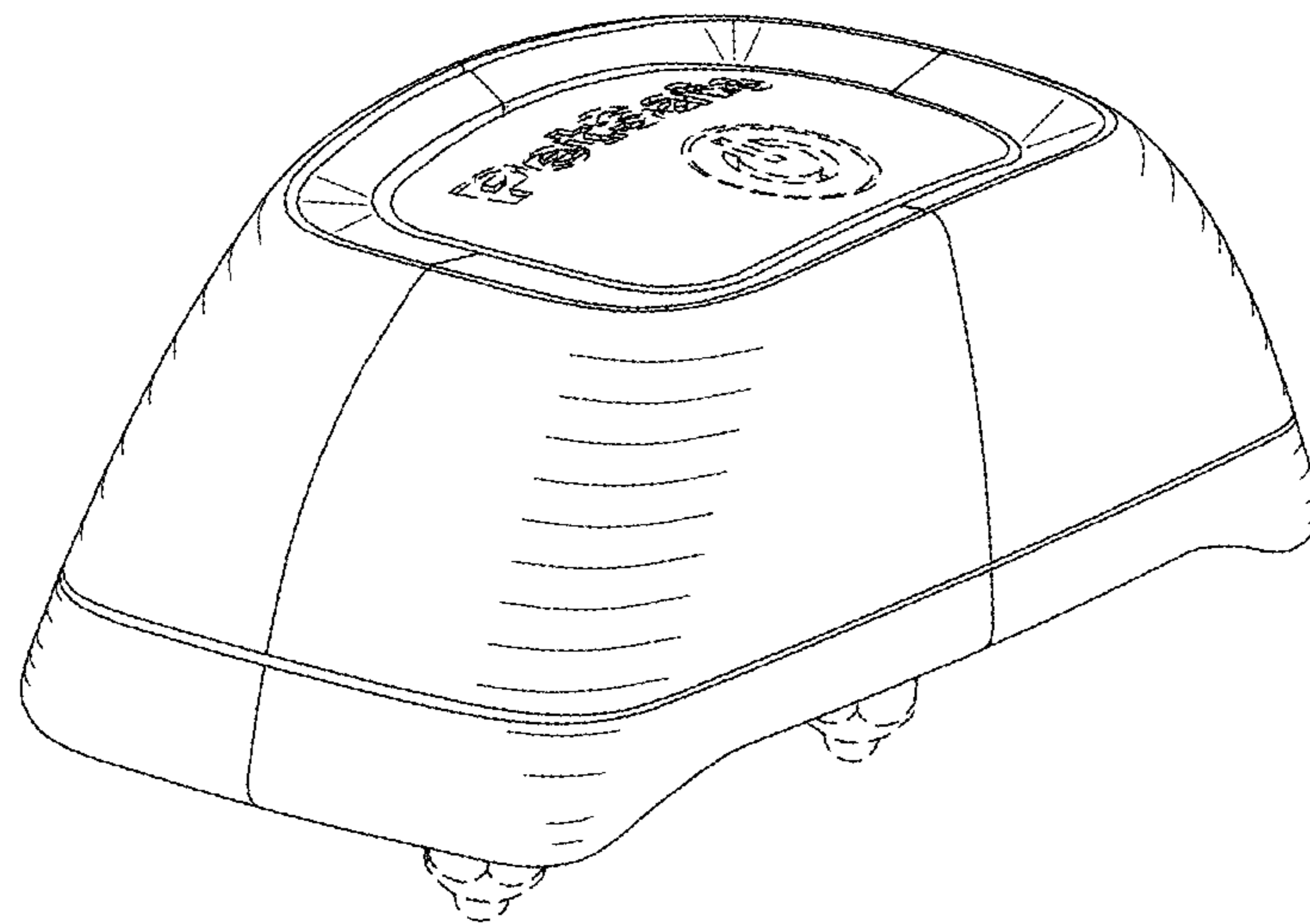


FIG. 11

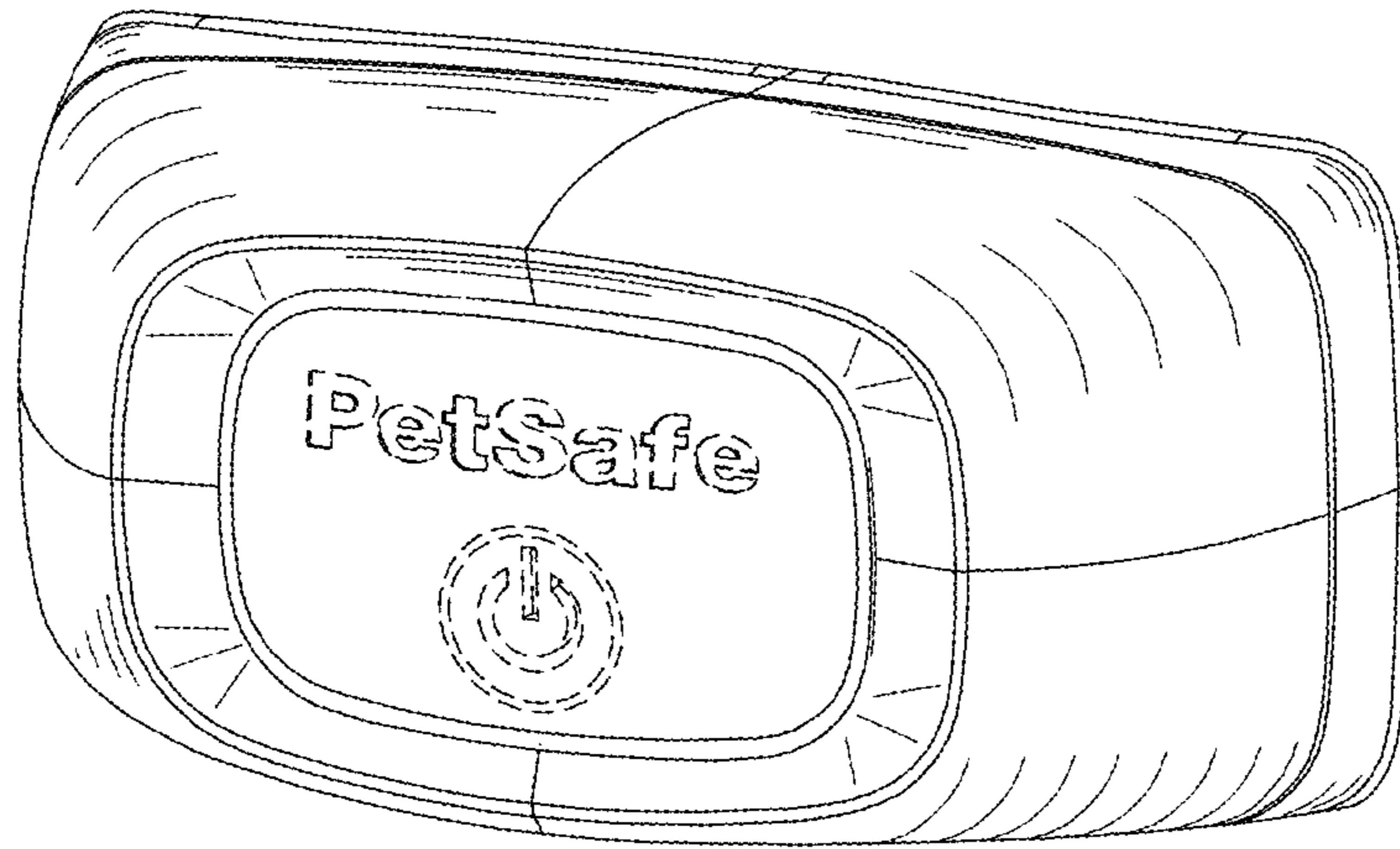


FIG. 12

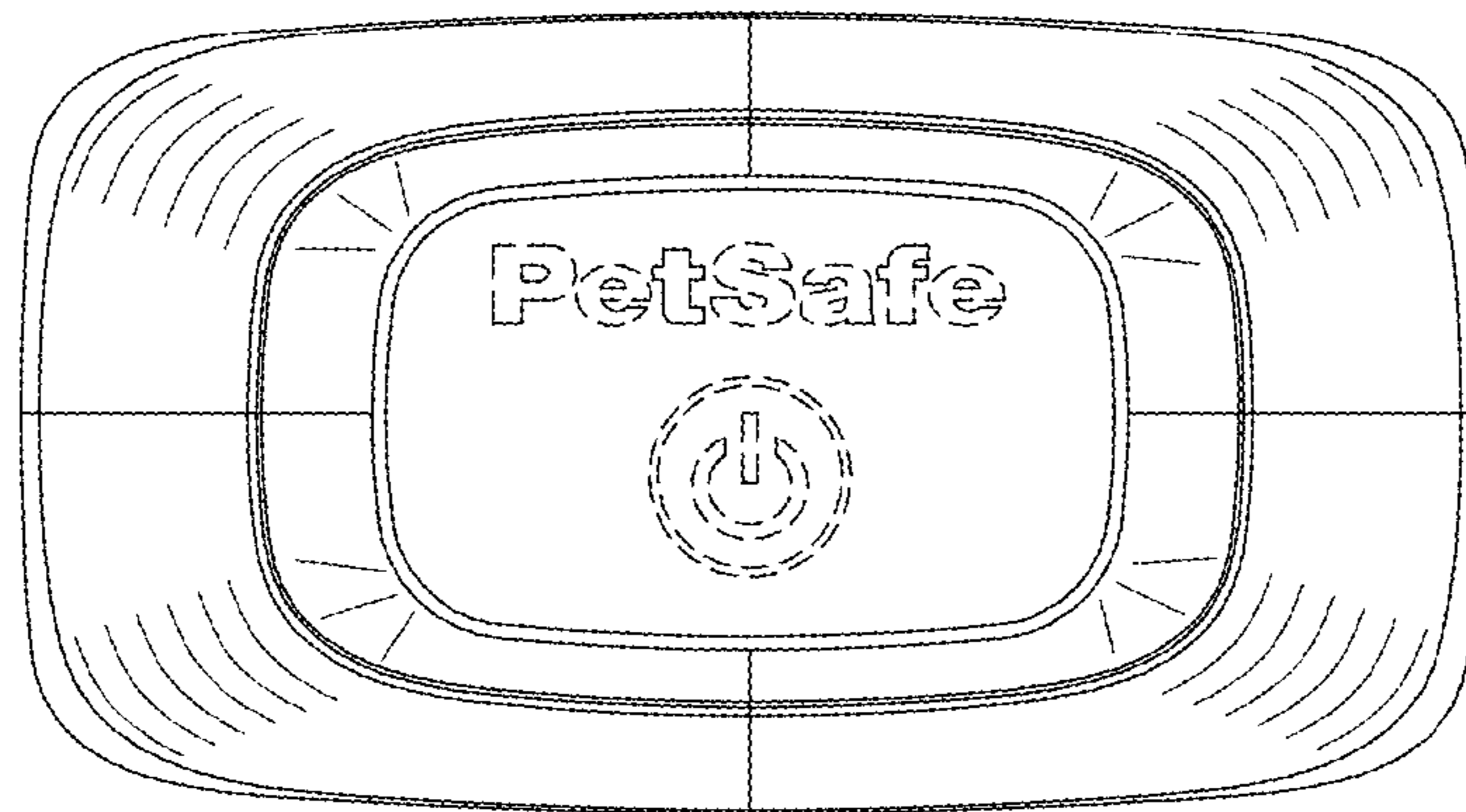


FIG. 13

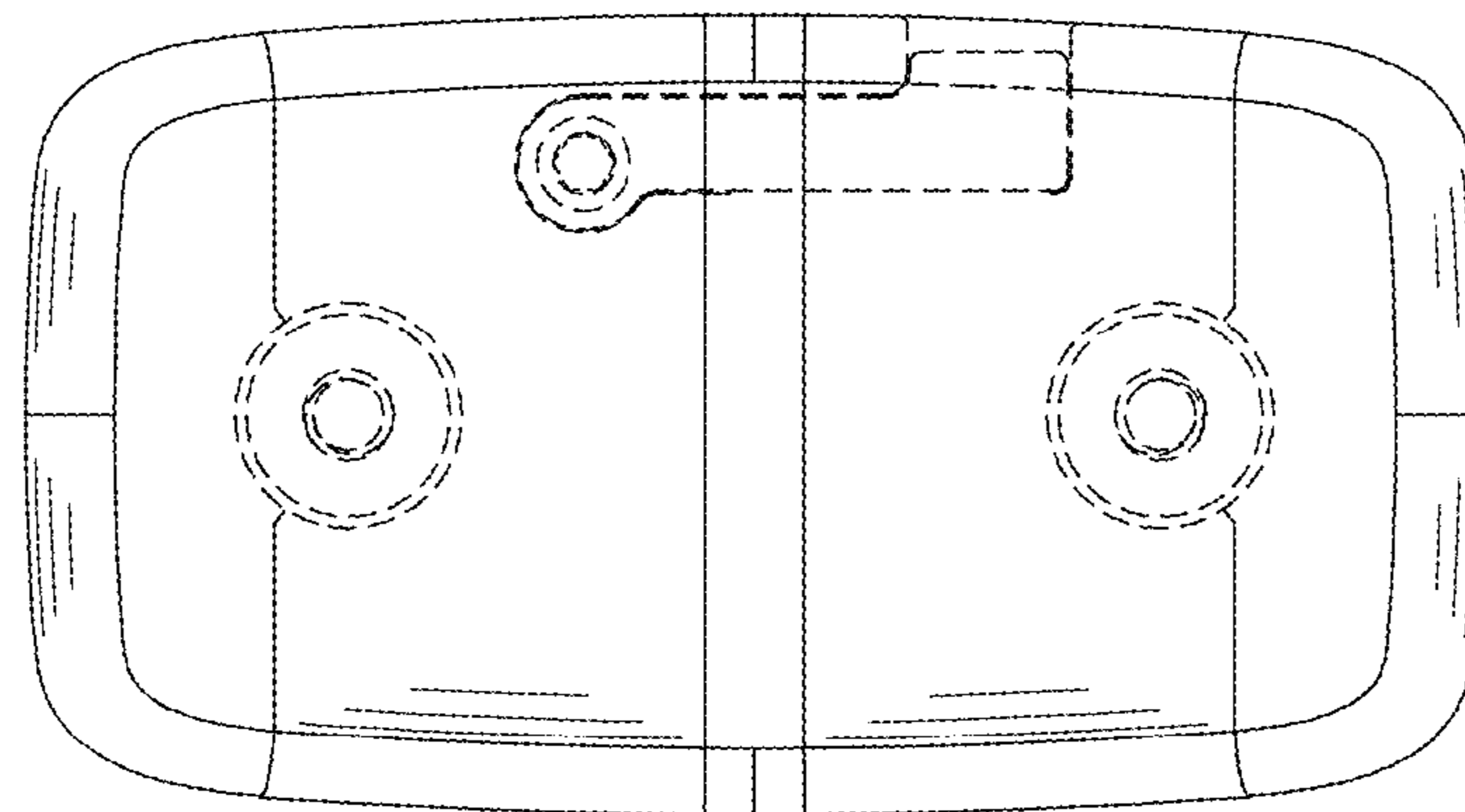


FIG. 14

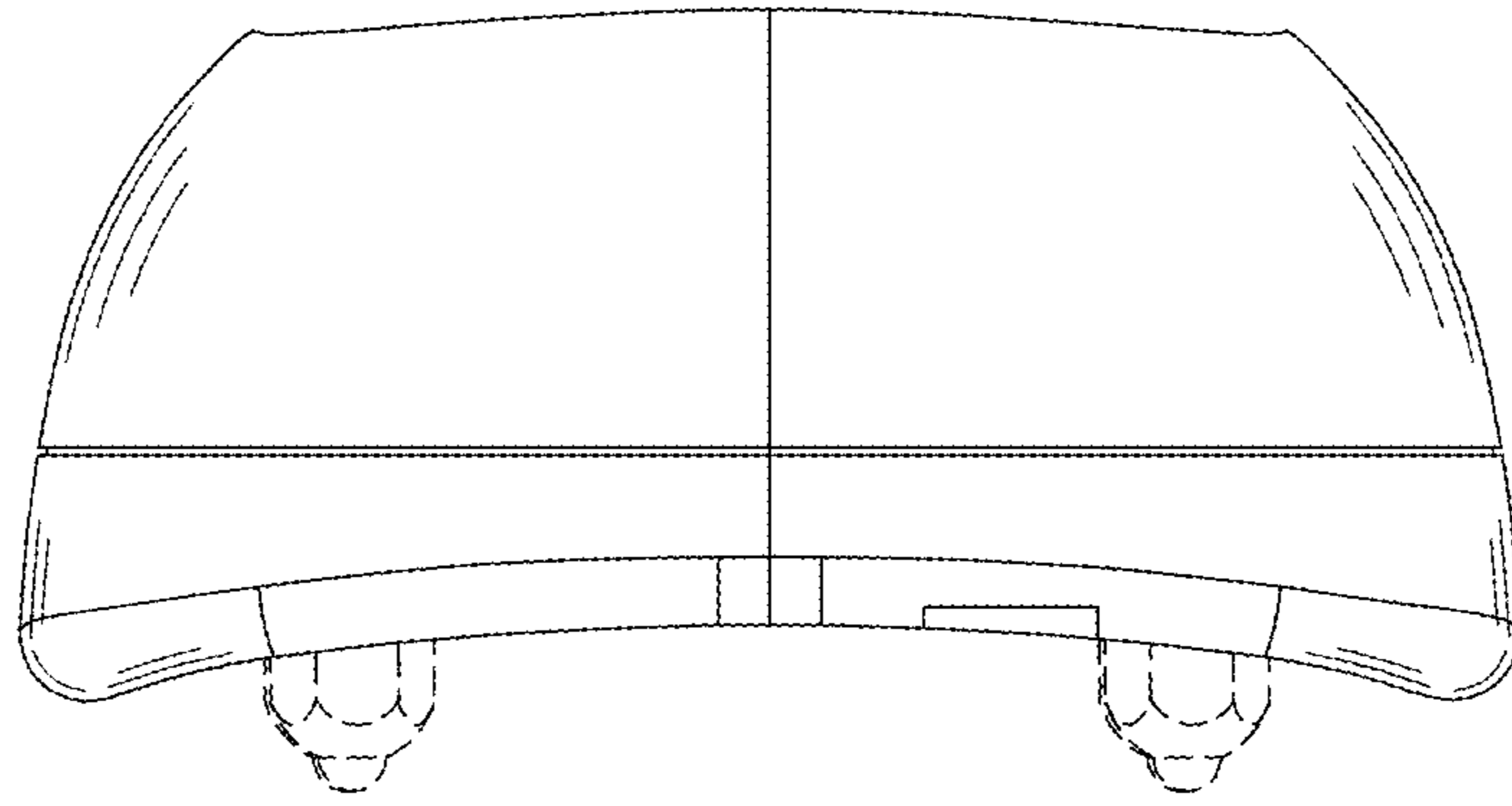


FIG. 15

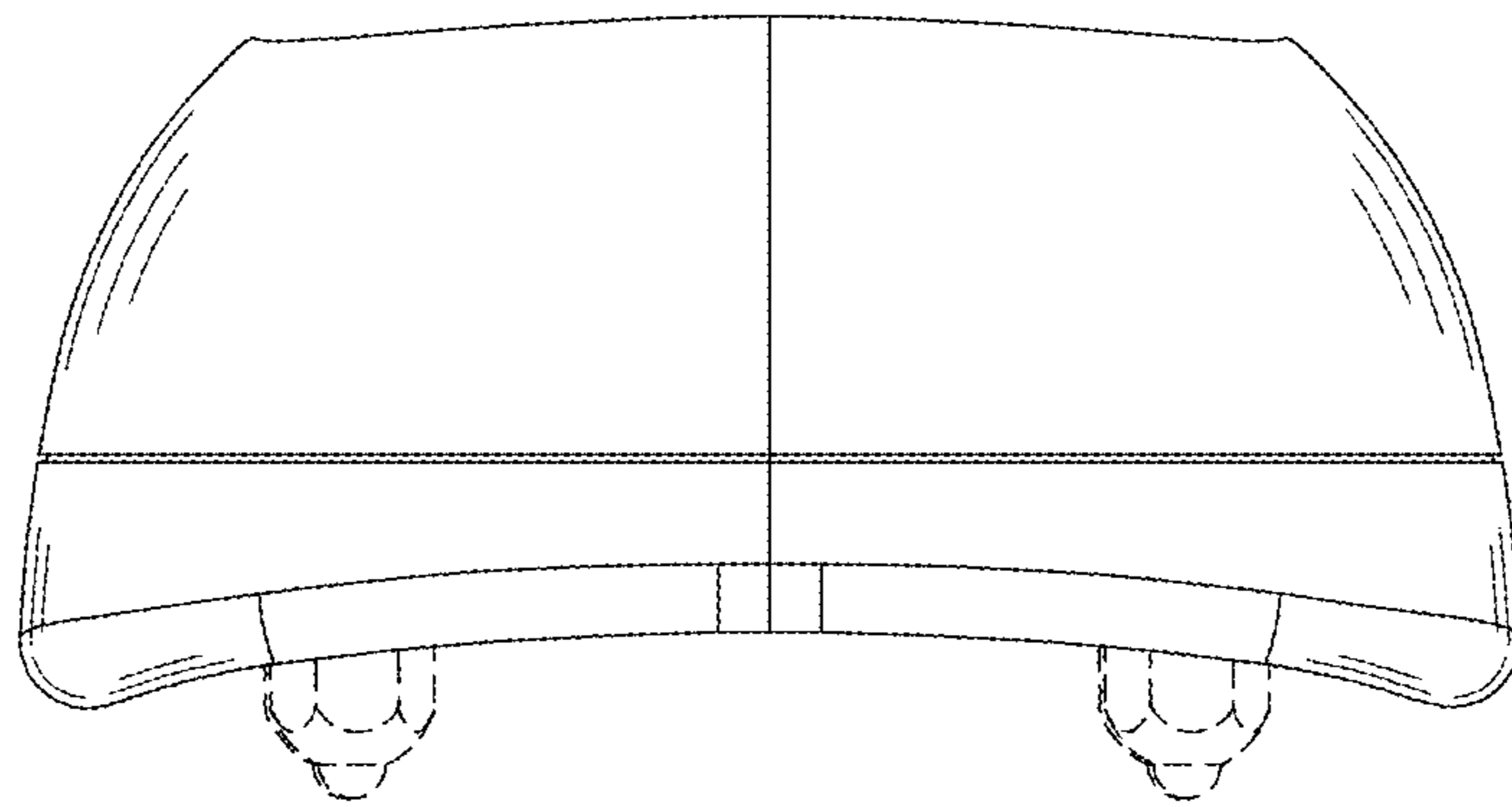


FIG. 16

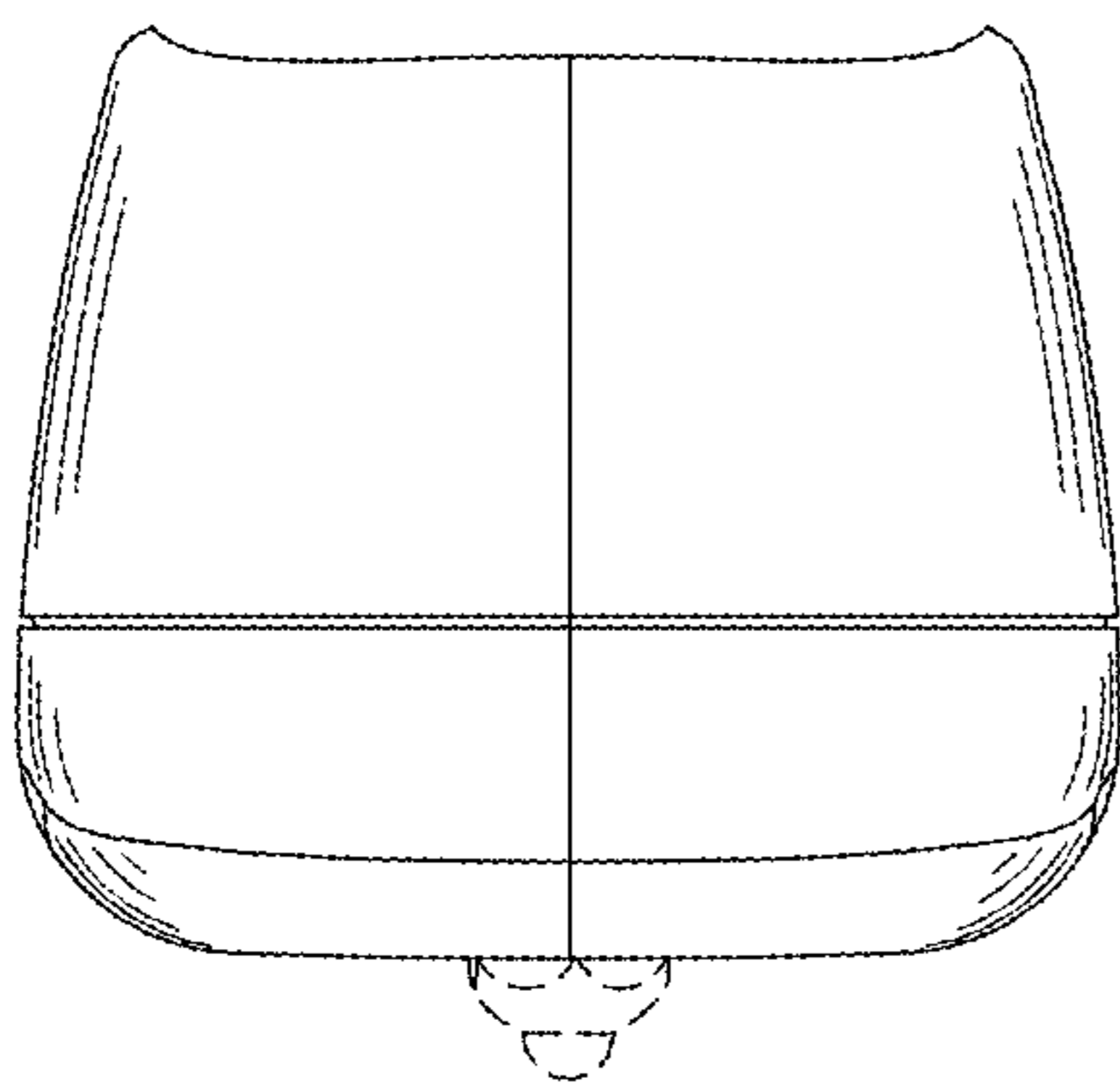


FIG. 17

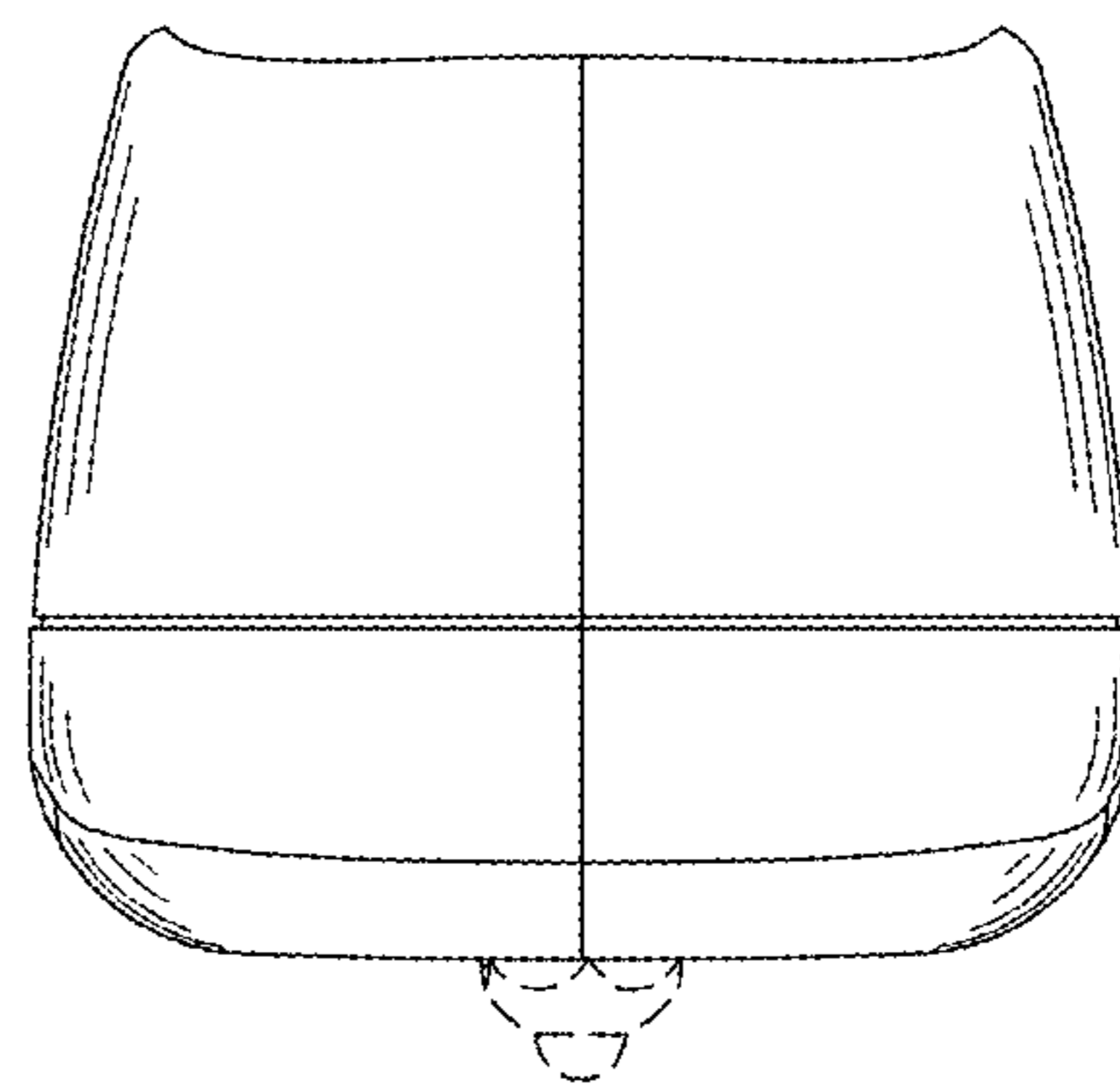


FIG. 18