



US00D880081S

(12) **United States Design Patent**  
**Baronoff et al.**

(10) **Patent No.:** **US D880,081 S**  
(45) **Date of Patent:** **\*\* Mar. 31, 2020**

(54) **PAIR OF TETHERED ANIMAL FOOT COVERS**

(71) Applicant: **LX2 Creative, LLC**, New York, NY (US)

(72) Inventors: **Lisa Baronoff**, New York, NY (US);  
**Lori Moss**, New York, NY (US)

(73) Assignee: **LX2 Creative, LLC**, New York, NY (US)

(\*\*) Term: **15 Years**

(21) Appl. No.: **29/701,242**

(22) Filed: **Aug. 9, 2019**

**Related U.S. Application Data**

(63) Continuation-in-part of application No. 29/612,735, filed on Aug. 3, 2017, now Pat. No. Des. 862,000, which is a continuation-in-part of application No. 29/547,425, filed on Dec. 3, 2015, now Pat. No. Des. 797,384, application No. 29/701,242, which is a continuation of application No. 15/379,910, filed on  
(Continued)

(51) **LOC (12) Cl.** ..... **30-01**

(52) **U.S. Cl.**  
USPC ..... **D30/146**

(58) **Field of Classification Search**  
USPC ..... D30/144, 146, 147, 199; D24/192;  
D2/897, 902, 919, 943, 951, 953, 980,  
D2/989, 993, 994; D8/383  
CPC ..... A01K 13/007  
See application file for complete search history.

(56) **References Cited**

**U.S. PATENT DOCUMENTS**

719,650 A \* 2/1903 Davis ..... A41D 13/08  
2/59

3,747,565 A 7/1973 Kellam  
(Continued)

**FOREIGN PATENT DOCUMENTS**

JP 4153554 B1 9/2008  
JP 2012135243 A 7/2012

**OTHER PUBLICATIONS**

“Win a Snuggly Boots Orthotic & Footwear Suspender System”. Found online Jan. 4, 2017 at dogtipper.com. Page dated 7 May 13, 2014. Retrieved from <http://www.dogtipper.com/giveaways-contests/2014/05/win-a-snuggly-boots-orthotic-footwear-suspender-system.html>.\*

(Continued)

*Primary Examiner* — Kendra Leslie Hamilton

(74) *Attorney, Agent, or Firm* — Myers Wolin, LLC

(57) **CLAIM**

The ornamental design for a pair of tethered animal foot covers, as shown and described.

**DESCRIPTION**

FIG. 1 is a top, front, right perspective view of a pair of tethered animal foot covers, showing our new design in condition of use;

FIG. 2 is a top, front, left perspective view thereof;

FIG. 3 is a top, front, left perspective view of the pair of tethered animal foot covers of FIG. 1, shown disassembled for clarity of disclosure;

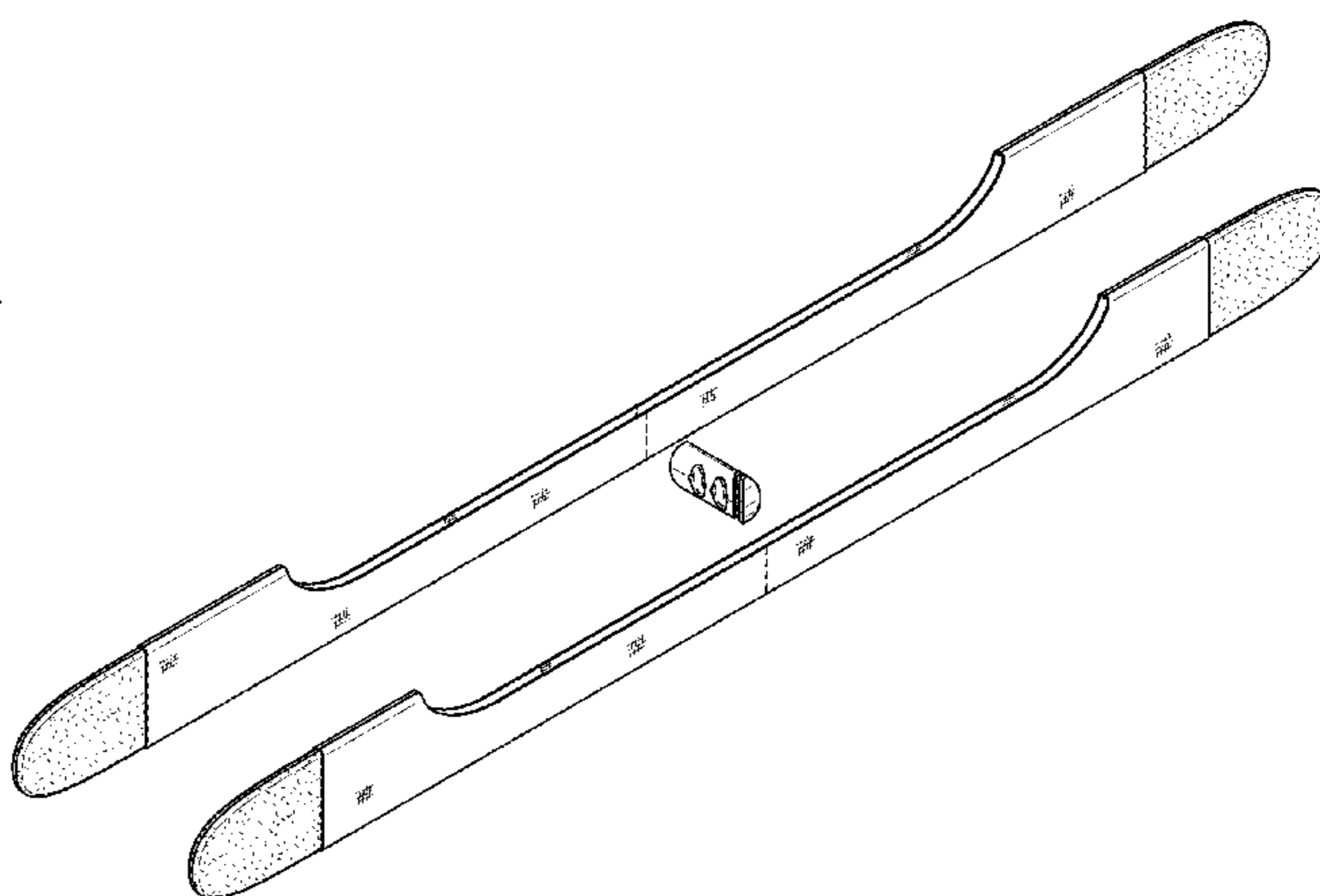
FIG. 4 is a bottom, rear, right perspective view thereof;

FIG. 5 is a right side elevation view of the pair of tethered animal foot covers of FIG. 1, shown enlarged for clarity of disclosure; the left side elevation view being a mirror image thereof; and,

FIG. 6 is a front elevation view of the pair of tethered animal foot covers of FIG. 1.

The broken lines in the drawings depict portions of the pair of tethered animal foot covers that form no part of the claimed design. The broken lines showing a dog in FIGS. 1 and 2 depict environmental matter that form no part of the claimed design.

**1 Claim, 5 Drawing Sheets**



**Related U.S. Application Data**

Dec. 15, 2016, now Pat. No. 10,492,468, and a continuation of application No. 29/547,425, filed on Dec. 3, 2015, now Pat. No. Des. 797,384.

(56)

**References Cited**

U.S. PATENT DOCUMENTS

D284,325	S *	6/1986	Birmingham, Jr. ....	D2/860
4,633,817	A	1/1987	Taylor	
4,744,333	A	5/1988	Taylor	
5,341,765	A	8/1994	McComb	
D375,586	S *	11/1996	Caditz .....	D30/146
D376,448	S *	12/1996	Caditz .....	D30/146
5,634,437	A	6/1997	Petersen	
5,676,095	A	10/1997	Ralls	
6,564,753	B1 *	5/2003	Heileg .....	A01K 13/007 119/817
7,802,542	B1	9/2010	Zimmerman	
D649,303	S	11/2011	Falk	
D678,629	S	3/2013	Powell	
8,393,303	B1	3/2013	Krysak	
8,424,495	B2	4/2013	Rivera-Brutto	
8,677,944	B2 *	3/2014	Kissel, Jr. ....	A01K 27/002 119/850
D702,893	S *	4/2014	Tullo .....	D30/146
D770,757	S *	11/2016	Akin .....	D3/10
D797,384	S *	9/2017	Baronoff .....	D30/146
10,015,950	B1 *	7/2018	White .....	A01K 13/007
D858,902	S *	9/2019	Klemsz .....	D30/144
2008/0173258	A1	7/2008	Franco	
2011/0017151	A1	1/2011	Simoni	
2011/0209673	A1	9/2011	Weyerman	
2014/0250732	A1	9/2014	Hammond et al.	
2016/0044895	A1 *	2/2016	Schnieder .....	A01K 13/006 119/850
2017/0086424	A1	3/2017	Blanchet et al.	

OTHER PUBLICATIONS

“Lesca Tek: Double Hole Barrel Cylinder Cord Locks”. Found online Sep. 28, 2019 at amazon.co.uk. Page dated Nov. 16, 2017. Retrieved from [https://www.amazon.co.uk/Plastic-Cylinder-Luggage-Lanyard-Fastener/dp/B077HQYWMY/ref=sr\\_1\\_30?keywords=double+hole+cord&qid=1569682592&s=gateway&sr=8-30](https://www.amazon.co.uk/Plastic-Cylinder-Luggage-Lanyard-Fastener/dp/B077HQYWMY/ref=sr_1_30?keywords=double+hole+cord&qid=1569682592&s=gateway&sr=8-30).\*

“Protective Pet Sleeve—Front Leg”. Found online Jan. 6, 2017 at dfordog.co.uk. Page dated Sep. 28, 2014. Retrieved from <http://web.archive.org/web/20140928213902/http://www.dfordog.co.uk/protective-pet-sleeve-front-leg.html>.\*

Dermapaw, “how to make your own stay put dog socks at home”, uploaded Oct. 6, 2009, URL: <<https://www.youtube.com/watch?v=E7TTjm4gNIU>>.

“Canine Footwear Suspenders”. Found online Jan. 4, 2017 at amazon.com. Page dated Jan. 3, 2014. Retrieved from [http://www.amazon.com/Canine-Footwear-Suspenders-Snuggly-Medium/dp/B00B7HEQPU/ref=cm\\_cr\\_ar\\_p\\_d\\_product\\_top?ie=UTF8](http://www.amazon.com/Canine-Footwear-Suspenders-Snuggly-Medium/dp/B00B7HEQPU/ref=cm_cr_ar_p_d_product_top?ie=UTF8).

“Sock Garters High Quality Double Clips Suspender Accessories”. Found online Feb. 15, 2017 at amazon.com. Page dated Apr. 6, 2015. Retrieved from [http://www.amazon.com/...nder-Accessories-Suitable/dp/BOOVQOBI92/ref=sr\\_1\\_25?ie=UTF8&qid=1487185252&sr=8-25&keywords=suspender+sock&refinements=p\\_72%3A2661621011](http://www.amazon.com/...nder-Accessories-Suitable/dp/BOOVQOBI92/ref=sr_1_25?ie=UTF8&qid=1487185252&sr=8-25&keywords=suspender+sock&refinements=p_72%3A2661621011).

“Hidez Compression Socks”. Found online Mar. 31, 2016 at equestrianonline.co.nz. Page dated circa 2013. Retrieved from [http://www.equestrianonline.co.nz/product\\_cid\\_15.html](http://www.equestrianonline.co.nz/product_cid_15.html).

“Pro-Active Paws All Weather Dog Boots”. Found online Jan. 4, 2017 at amazon.com. Page dated Jul. 31, 2015. Retrieved from [http://www.amazon.com/Pro-Active-Paws-formation-Orthopedic-activites/dp/BOOWOOTPN I/ref=cm\\_cr\\_ar\\_p\\_d\\_product\\_top?ie=UTF8](http://www.amazon.com/Pro-Active-Paws-formation-Orthopedic-activites/dp/BOOWOOTPN I/ref=cm_cr_ar_p_d_product_top?ie=UTF8).

Requirement for Restriction and Election dated Aug. 8, 2018, for corresponding U.S. Appl. No. 15/379,910.

Non-Final Office Action dated Sep. 20, 2018, for corresponding U.S. Appl. No. 15/379,910.

\* cited by examiner



*FIG. 1*



*FIG. 2*

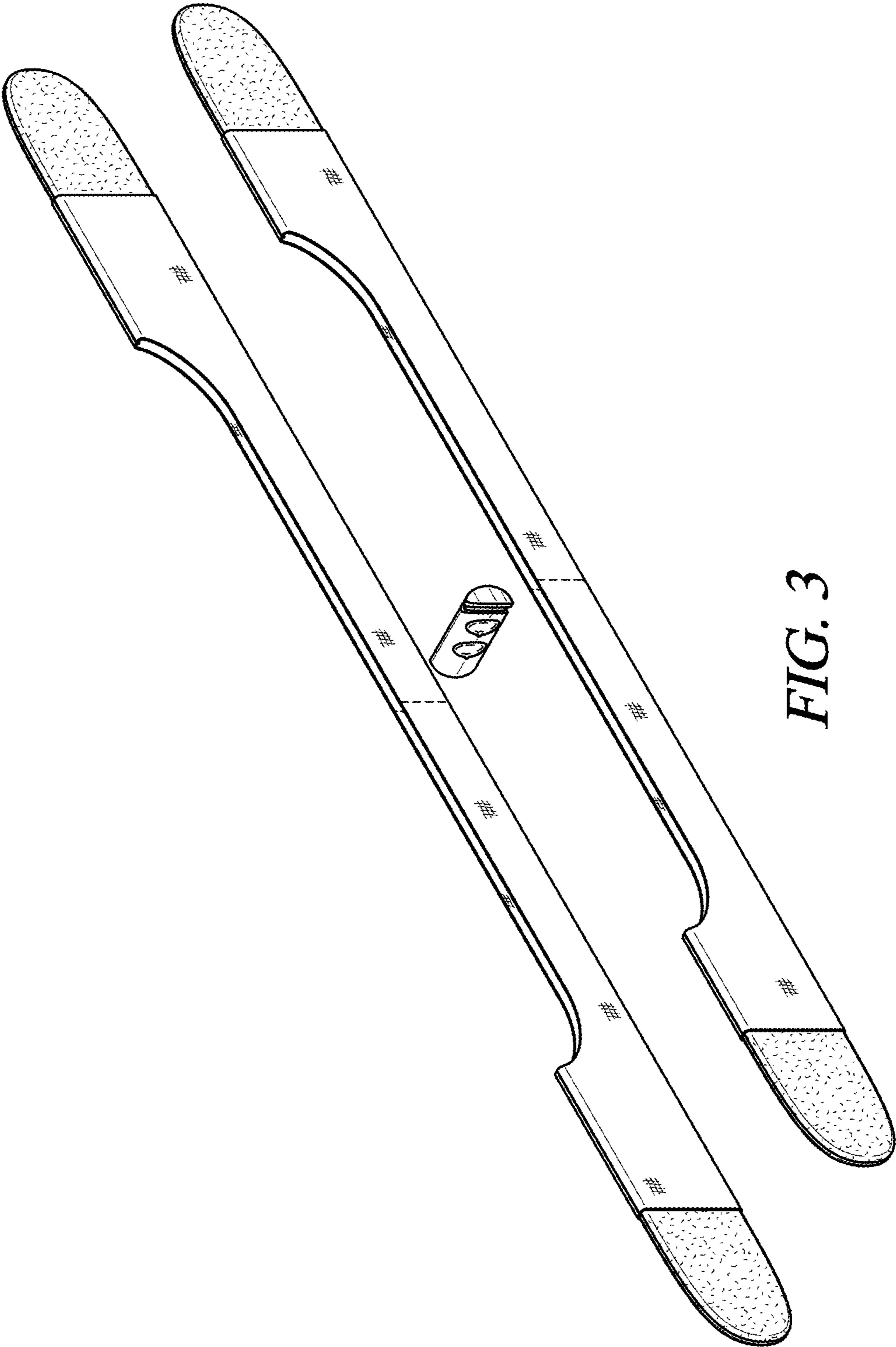


FIG. 3

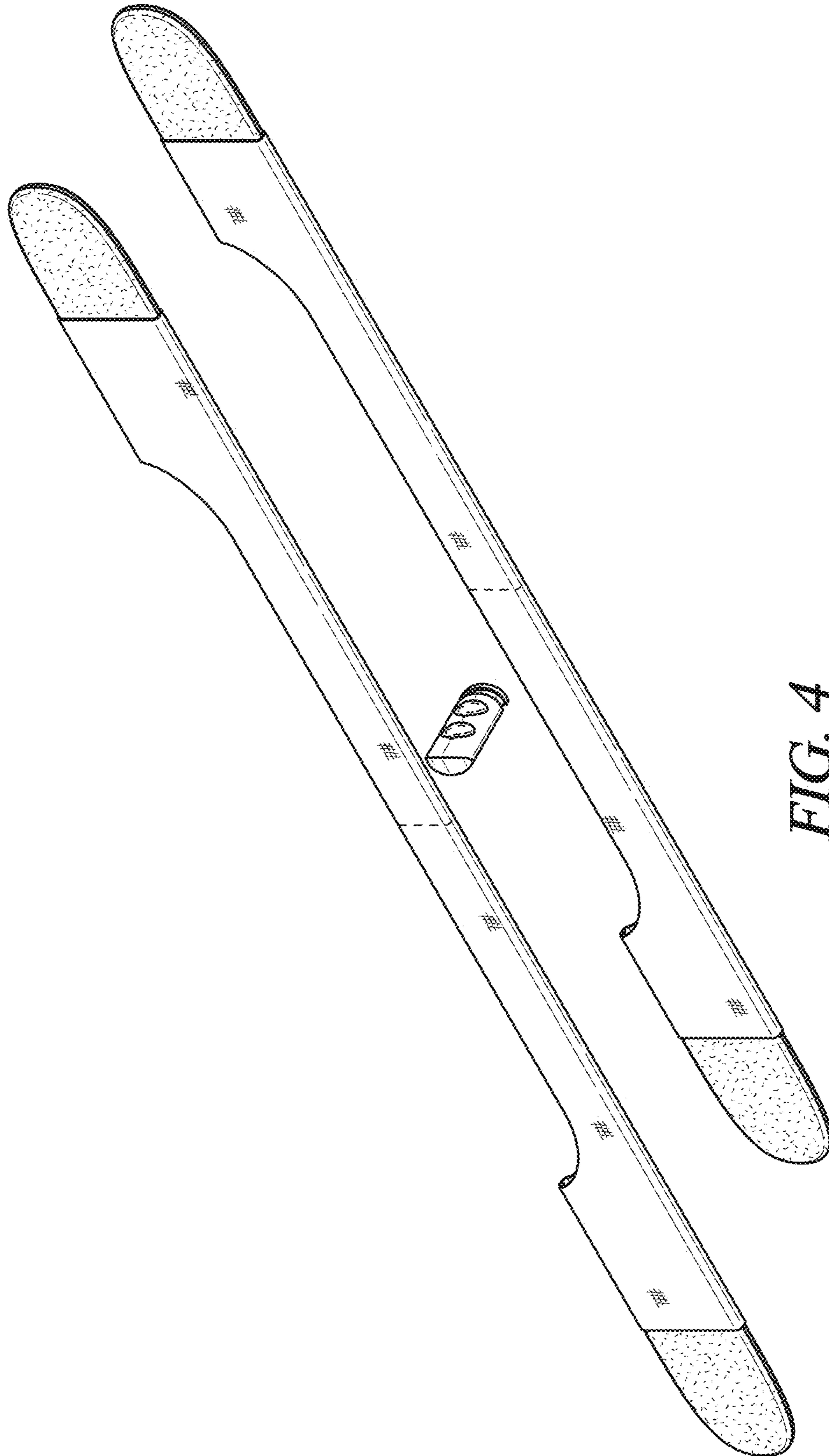


FIG. 4

