



US00D880079S

(12) **United States Design Patent** (10) **Patent No.:** **US D880,079 S**
Combs et al. (45) **Date of Patent:** **** Mar. 31, 2020**

(54) **BASE FOR A BIRD FEEDER**

A01K 39/01; A01K 39/00; A01K 39/0113; A01K 39/06

(71) Applicant: **Classic Brands, LLC**, Denver, CO (US)

See application file for complete search history.

(72) Inventors: **Stephen Combs**, Denver, CO (US); **Lindsey Nifong**, Denver, CO (US); **John Bruno**, Parker, CO (US); **Ashley Olson**, Denver, CO (US); **Robert Donegan**, Denver, CO (US); **Bryan Krueger**, Denver, CO (US)

(56) **References Cited**

U.S. PATENT DOCUMENTS

- 3,017,859 A * 1/1962 Stern A01K 1/0356 119/57.8
- 4,691,665 A * 9/1987 Hefner A01K 39/012 119/57.8
- 4,712,512 A * 12/1987 Schreib A01K 39/0113 119/52.2
- D302,875 S * 8/1989 Earl D30/124
- D344,911 S * 3/1994 Stork D11/130.1

(Continued)

(73) Assignee: **CLASSIC BRANDS, LLC**, Denver, CO (US)

Primary Examiner — Susan Moon Lee

(**) Term: **15 Years**

(74) *Attorney, Agent, or Firm* — Polsinelli PC

(21) Appl. No.: **29/663,038**

(57) **CLAIM**

(22) Filed: **Sep. 11, 2018**

The ornamental design for a base for a bird feeder, as shown and described.

(51) **LOC (12) Cl.** **30-03**

DESCRIPTION

(52) **U.S. Cl.**

USPC **D30/124; D30/127**

(58) **Field of Classification Search**

USPC D30/121, 124, 127, 128, 133, 114, 115, D30/116, 117, 118, 119, 125, 126; 119/51.03, 57.8, 51.01, 52.2, 710, 711, 119/52.3, 464, 707, 709, 57.9, 124, 51.04; 43/2, 131; 47/86, 65, 65.5, 67, 39, 41.12, 47/79; 426/1, 439, 556; D11/121, 120, D11/79, 117; 428/10, 18, 27; D7/352, D7/356; 156/256, 263; 66/170; 99/372, 99/377, 403; 425/318, 395, 404; 248/175, 27.8; 211/85.31, 88.03, 23; 362/122, 227, 249.15, 249.16, 249.18, 362/806; D9/569, 538–543, 516, 545, D9/556–559; D22/119, 122; D26/51, 37, D26/38, 40, 41

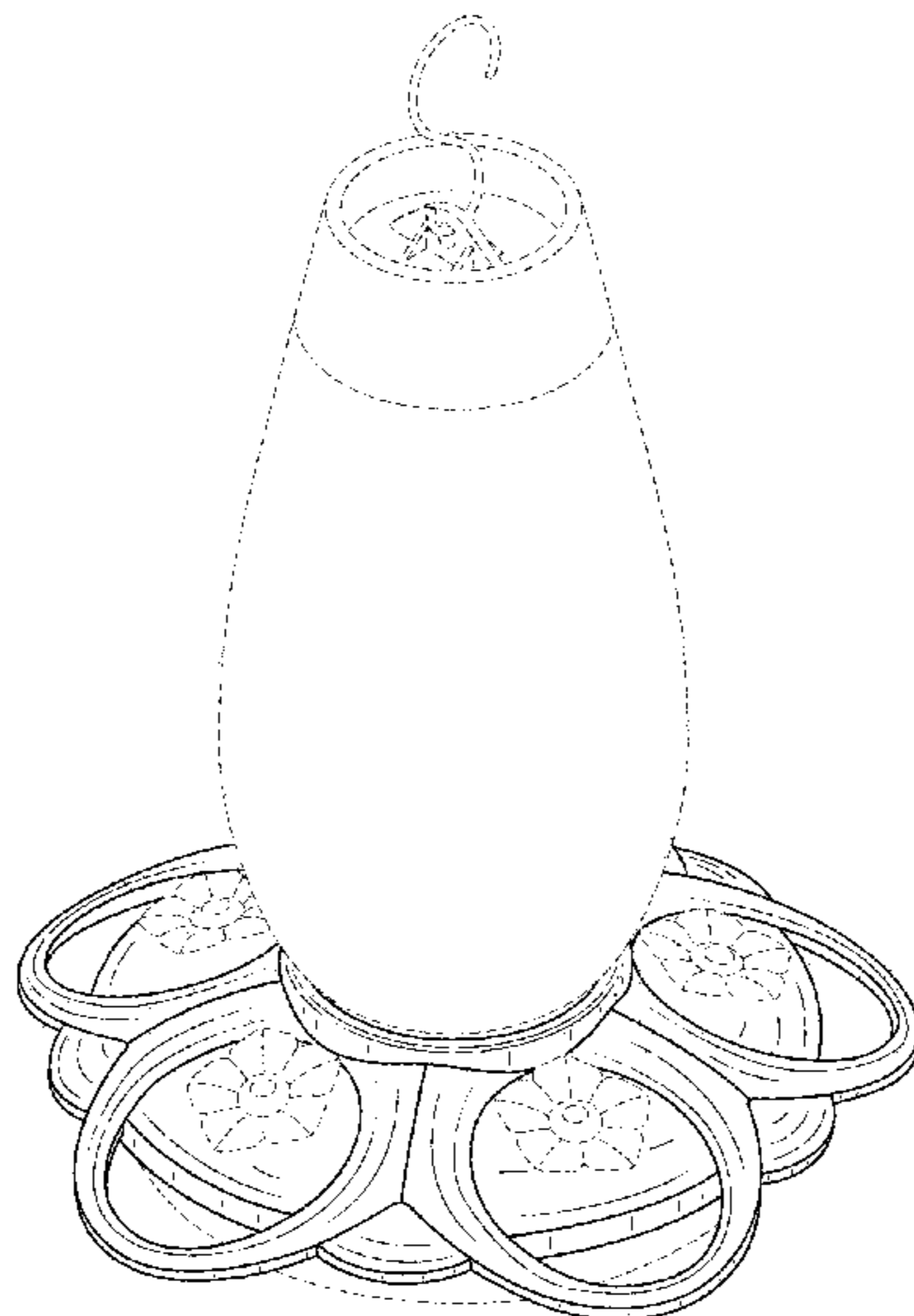
CPC A01K 39/02; A01K 39/0206; A01K 39/04; A01K 39/012; A01K 39/026; A01K 39/024; A01K 39/022; A01K 39/0125;

FIG. 1 is an isometric view of a base for a bird feeder included in a bird feeder showing our new design.
 FIG. 2 is an isometric view of the base for the bird feeder shown without the remaining portions of the bird feeder.
 FIG. 3 is a bottom perspective view thereof.
 FIG. 4 is a left side view thereof.
 FIG. 5 is a right side view thereof.
 FIG. 6 is a front view thereof.
 FIG. 7 is a back view thereof.
 FIG. 8 is a top view thereof; and,
 FIG. 9 is a bottom view thereof.

The broken lines shown in the Figures are directed to environment forming no part of the claimed design or show portions of the base for the bird feeder that form no part of the claimed design.

The shade lines in the Figures show contour and do not claim surface ornamentation or treatment.

1 Claim, 9 Drawing Sheets



(56)

References Cited

U.S. PATENT DOCUMENTS

D380,878	S *	7/1997	Brown	D30/121
D397,529	S *	8/1998	Fuller	D30/124
D431,330	S *	9/2000	Jones	D30/124
6,439,158	B1 *	8/2002	Blohm	A01K 39/0113 119/57.8
7,021,598	B2 *	4/2006	Kao	A47F 5/025 248/519
D524,490	S *	7/2006	Obenshain	D30/127
D530,457	S *	10/2006	Jung	D30/127
D542,479	S *	5/2007	O'Dell	D30/124
D606,708	S *	12/2009	McMullen	D30/127
D606,709	S *	12/2009	McMullen	D30/127
D646,027	S *	9/2011	Colwell	D30/124
D709,248	S *	7/2014	Hazel	D30/124
D727,574	S *	4/2015	Schroeder	D30/124
D776,883	S *	1/2017	DiOrio	D30/124
D790,777	S *	6/2017	Nifong	D30/124
D794,259	S *	8/2017	Chen	D30/124
D857,114	S *	8/2019	Fontaine	D21/496
2008/0105206	A1 *	5/2008	Rich	A01K 39/0113 119/57.9
2011/0100299	A1 *	5/2011	Colwell	A01K 31/12 119/52.2
2015/0122186	A1 *	5/2015	Donegan	A01K 39/0113 119/51.5

* cited by examiner

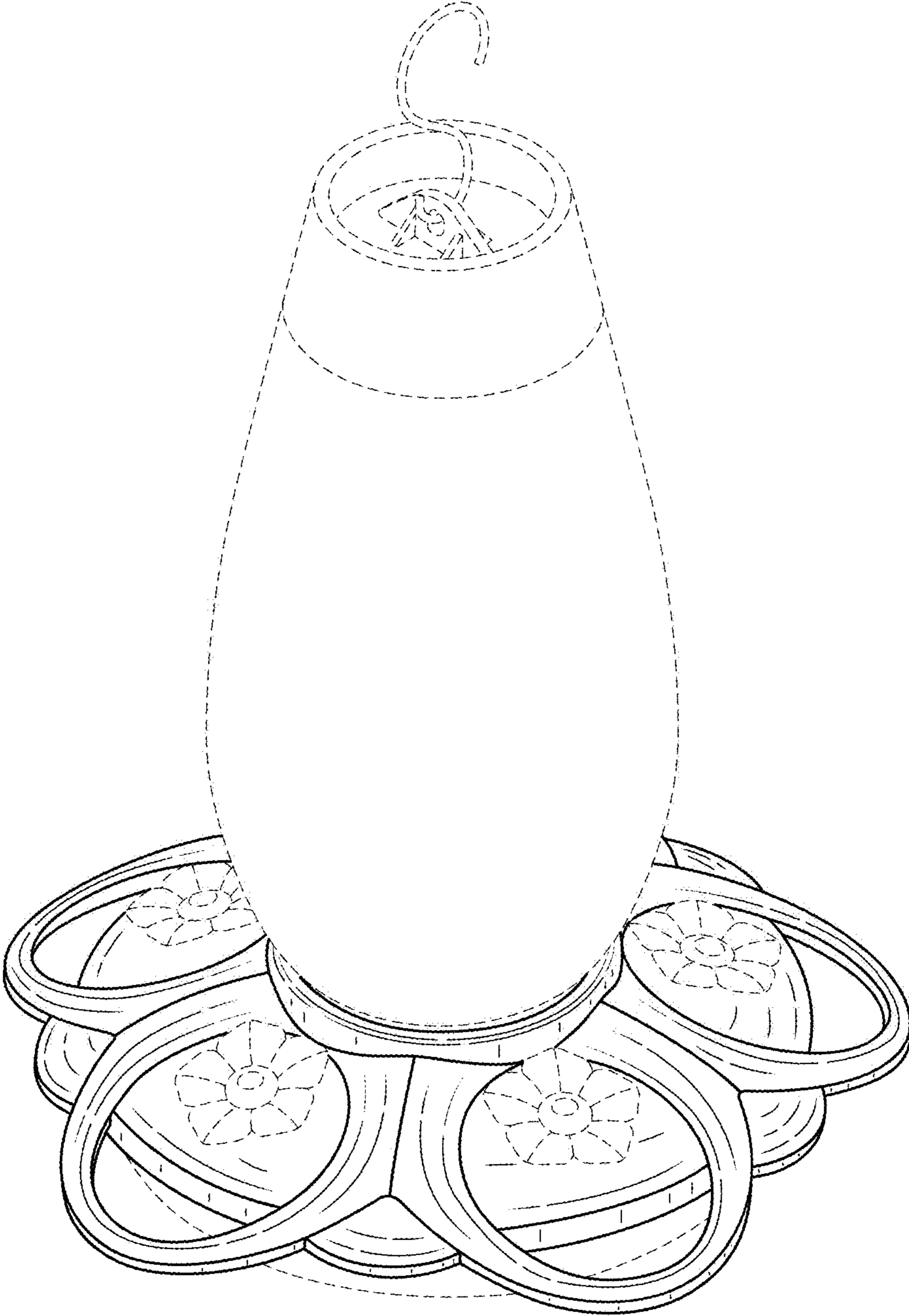


FIG.1

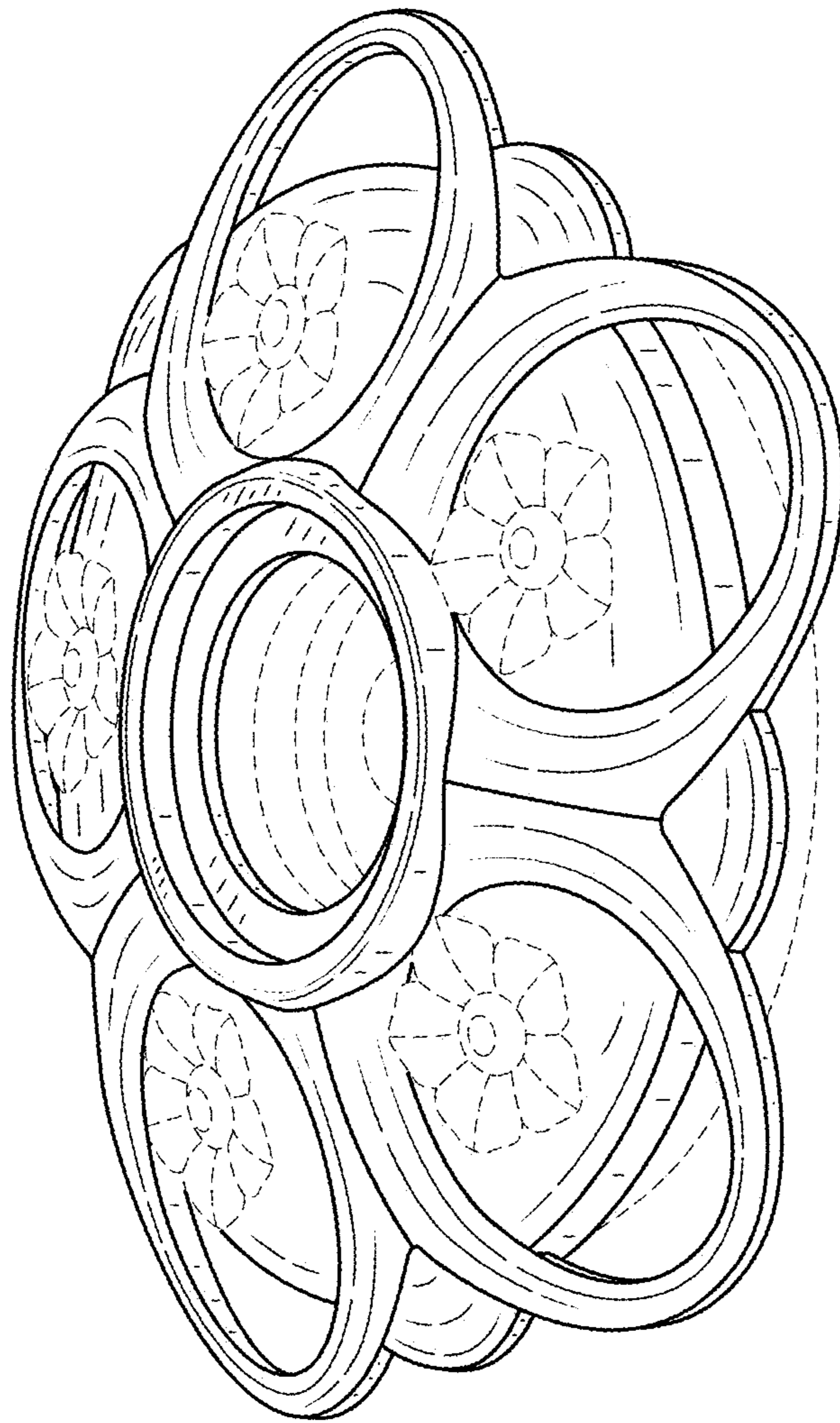


FIG.2

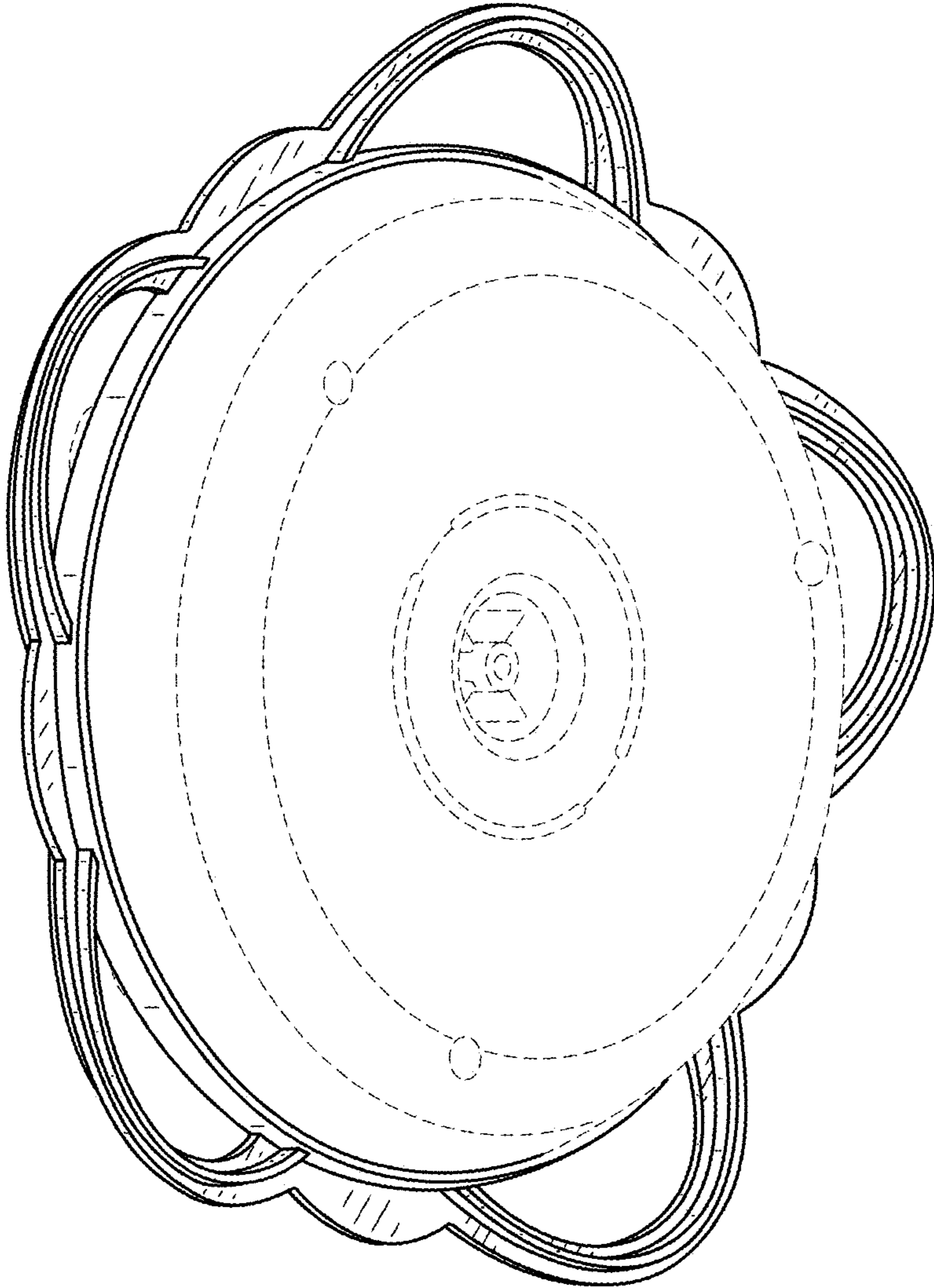


FIG.3

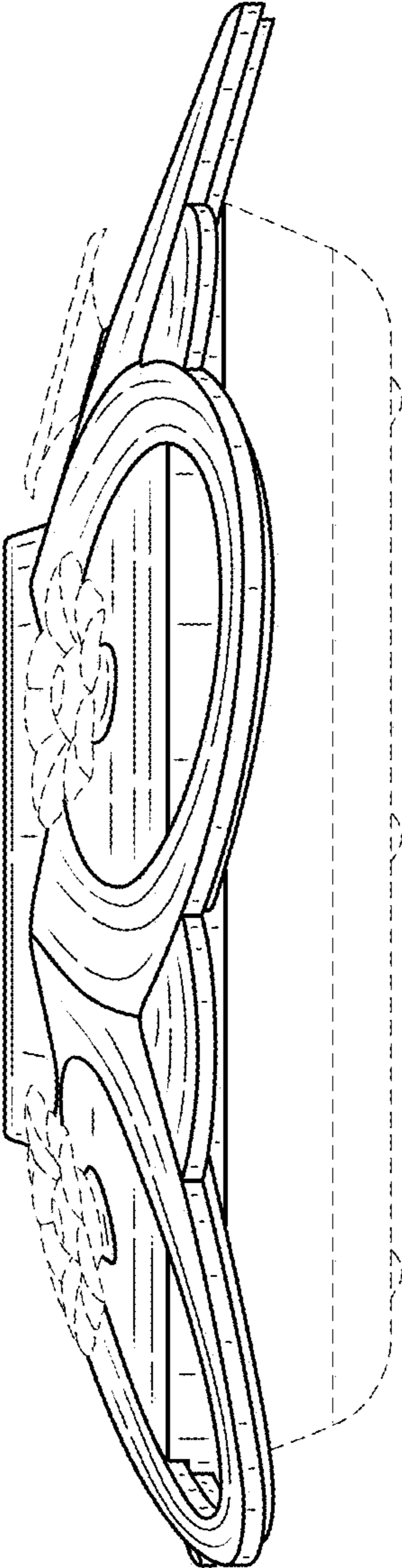


FIG.4

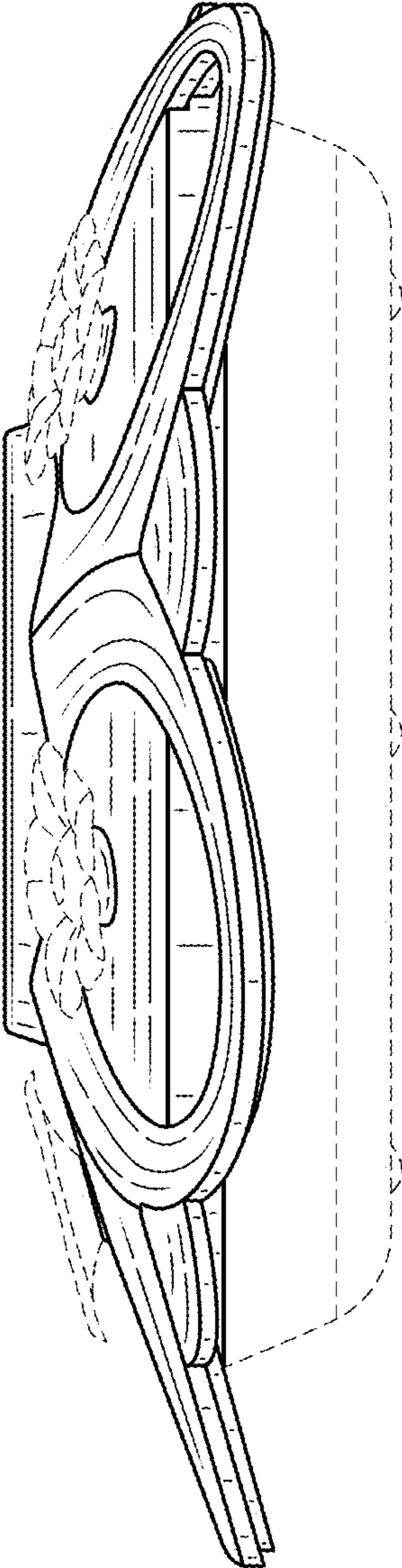


FIG.5

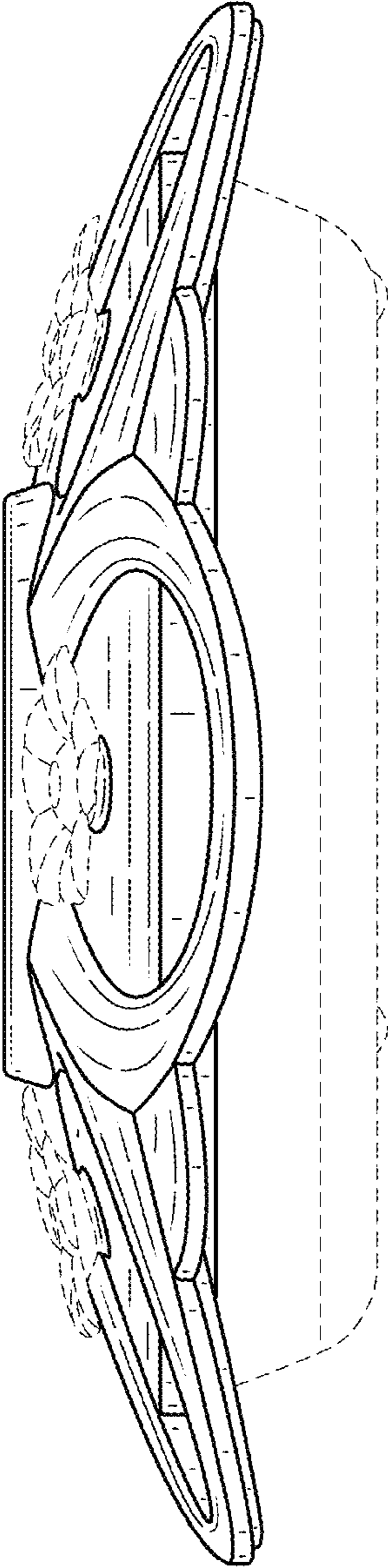


FIG.6

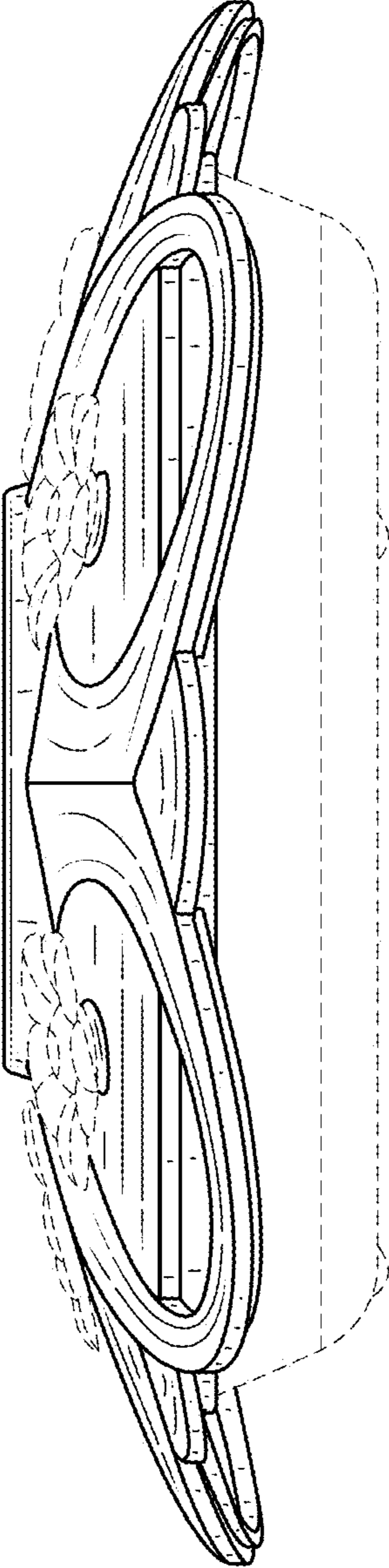


FIG.7

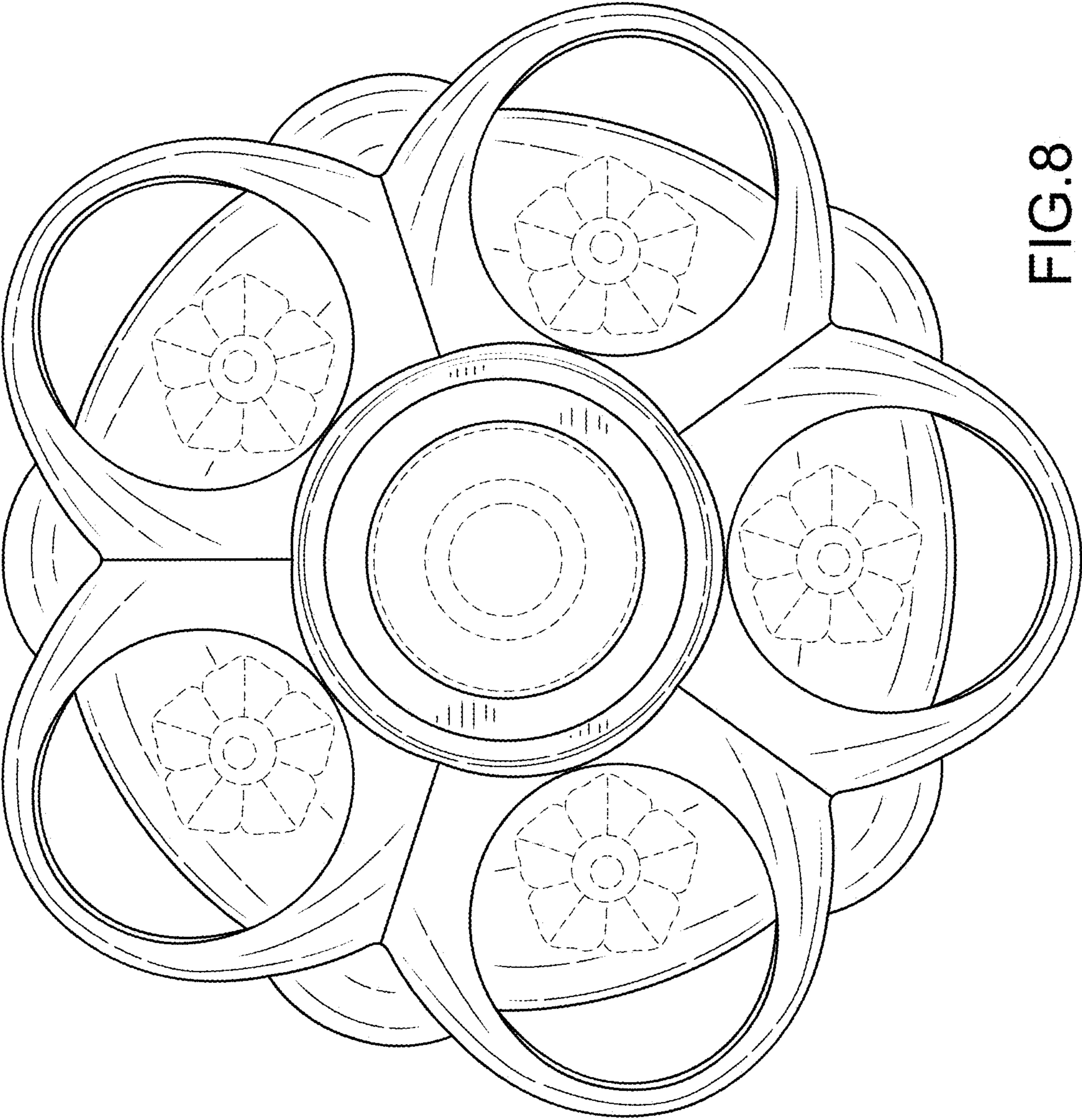


FIG.8

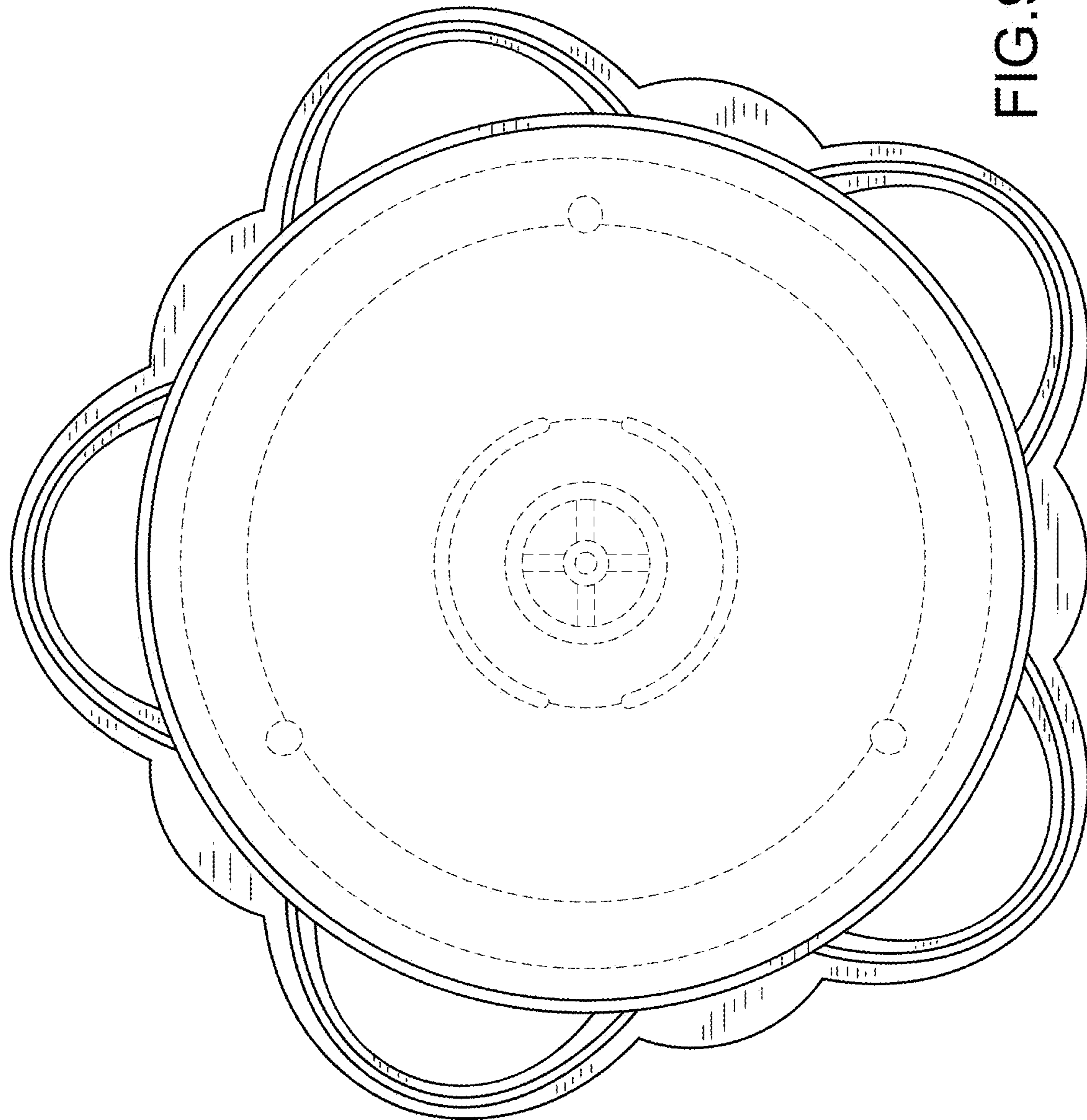


FIG. 9