



US00D880078S

(12) **United States Design Patent**
Liao et al.

(10) **Patent No.:** **US D880,078 S**

(45) **Date of Patent:** **** Mar. 31, 2020**

(54) **SUCKER**

(71) Applicants: **Ying-Chieh Liao**, Taichung (TW);
Yu-Kuo Liao, Taichung (TW)

(72) Inventors: **Ying-Chieh Liao**, Taichung (TW);
Yu-Kuo Liao, Taichung (TW)

(**) Term: **15 Years**

(21) Appl. No.: **29/646,221**

(22) Filed: **May 2, 2018**

(51) **LOC (12) Cl.** **30-02**

(52) **U.S. Cl.**
USPC **D30/106**

(58) **Field of Classification Search**
USPC D30/101-107; D23/209; D15/8;
D32/21, 25, 31; 119/232, 264;
210/167.23, 167.21, 167.25, 167.26
CPC A01K 63/045; A01K 63/006; A01K 63/10
See application file for complete search history.

(56) **References Cited**

U.S. PATENT DOCUMENTS

D595,906 S * 7/2009 Tsai D30/106
D640,424 S * 6/2011 Yen D30/106

D716,507 S * 10/2014 Mayer D30/106
2007/0051320 A1 * 3/2007 Yen A01K 63/045
119/264
2008/0313827 A1 * 12/2008 Paxton A01K 63/10
15/1.7

* cited by examiner

Primary Examiner — Wan Laymon

(74) *Attorney, Agent, or Firm* — Muncy, Geissler, Olds & Lowe, P.C.

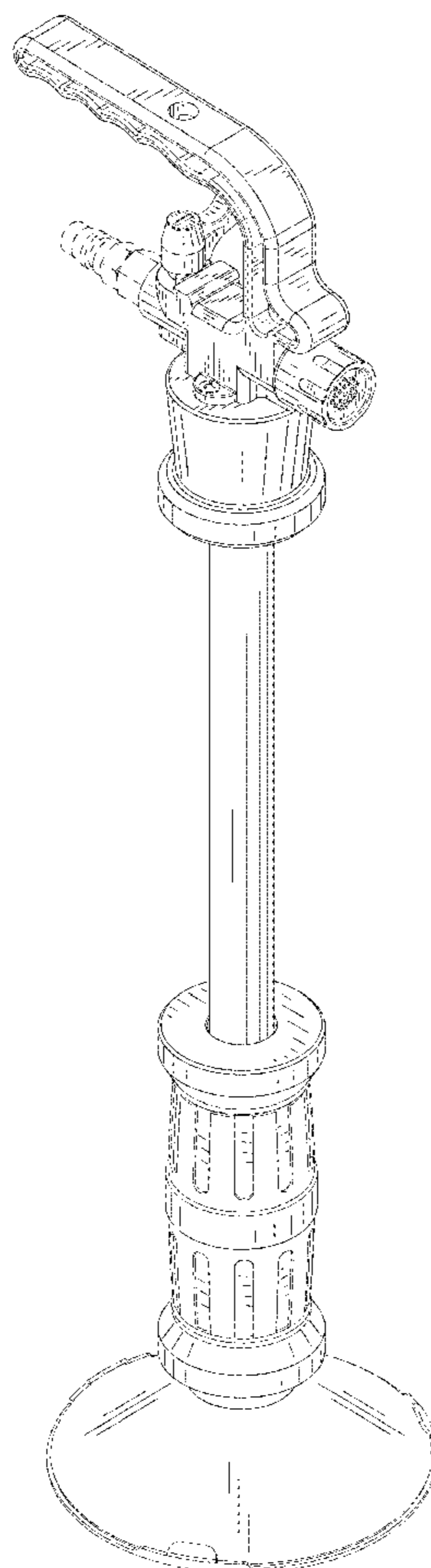
(57) **CLAIM**

We claim the ornamental design for a sucker, as shown and described.

DESCRIPTION

FIG. 1 is a front, right, top perspective view of a sucker showing our new design;
FIG. 2 is a front elevational view thereof;
FIG. 3 is a rear elevational view thereof;
FIG. 4 is a left side view thereof;
FIG. 5 is a right side view thereof;
FIG. 6 is a top plan view thereof;
FIG. 7 is a bottom plan view thereof; and,
FIG. 8 is a rear, right, bottom perspective view.
The broken lines shown depict portions of the sucker that form no part of the claimed design.

1 Claim, 6 Drawing Sheets



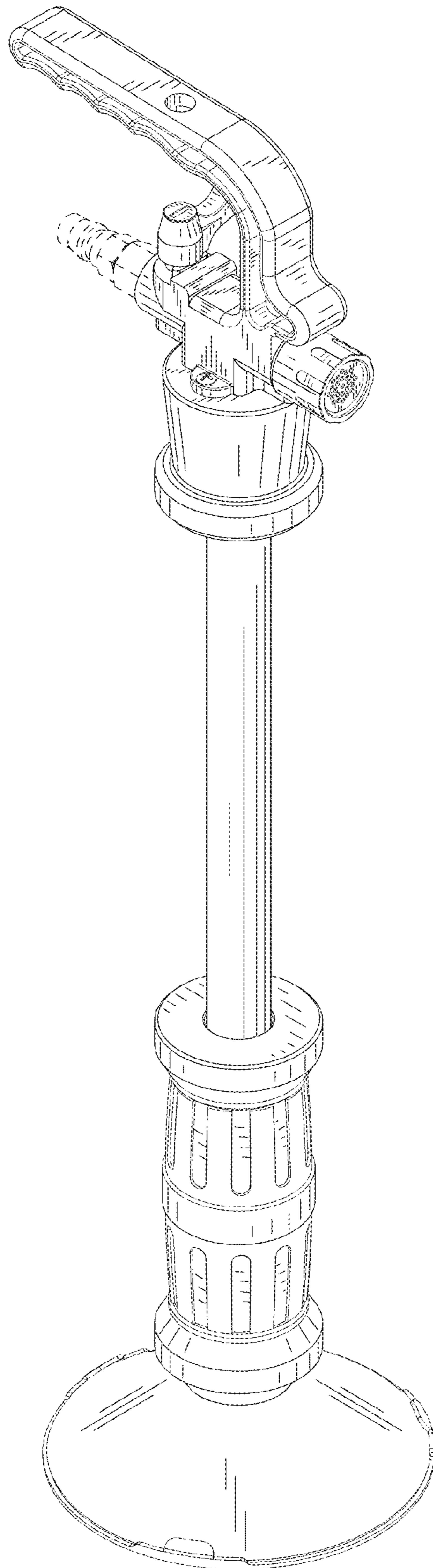


FIG. 1

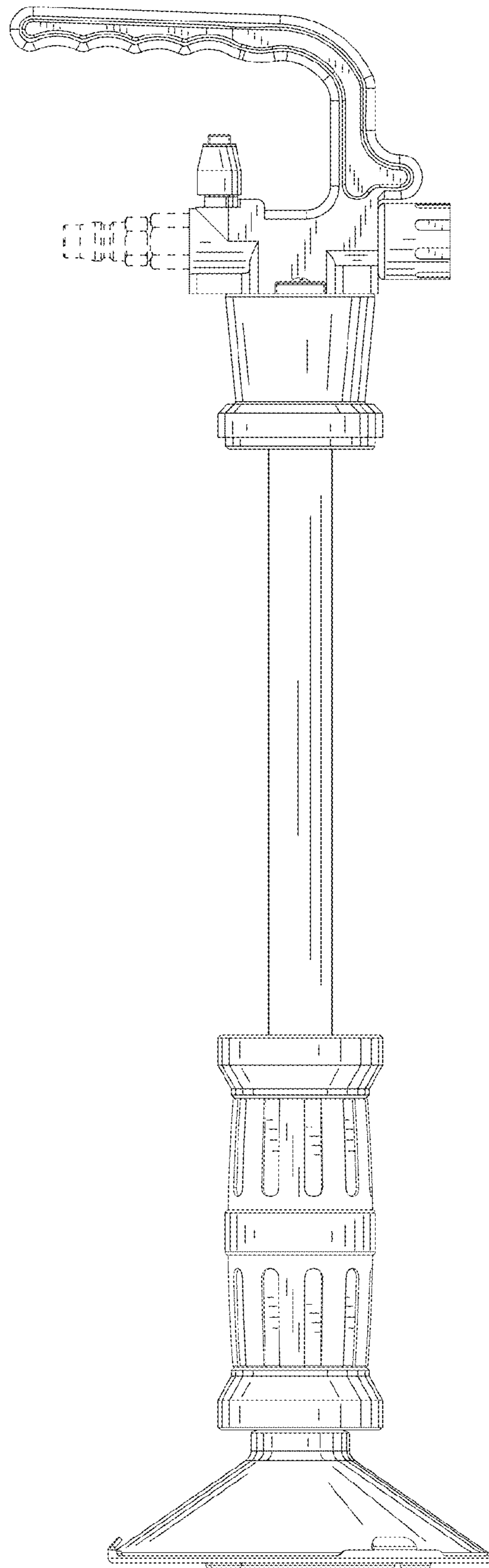


FIG. 2

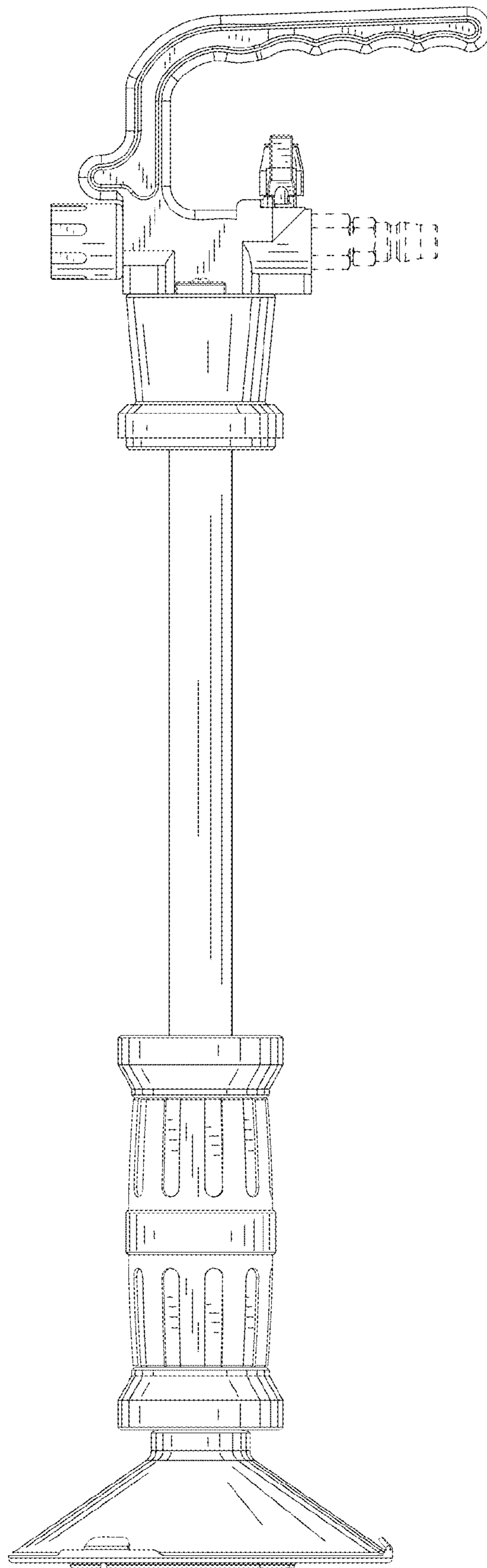


FIG. 3

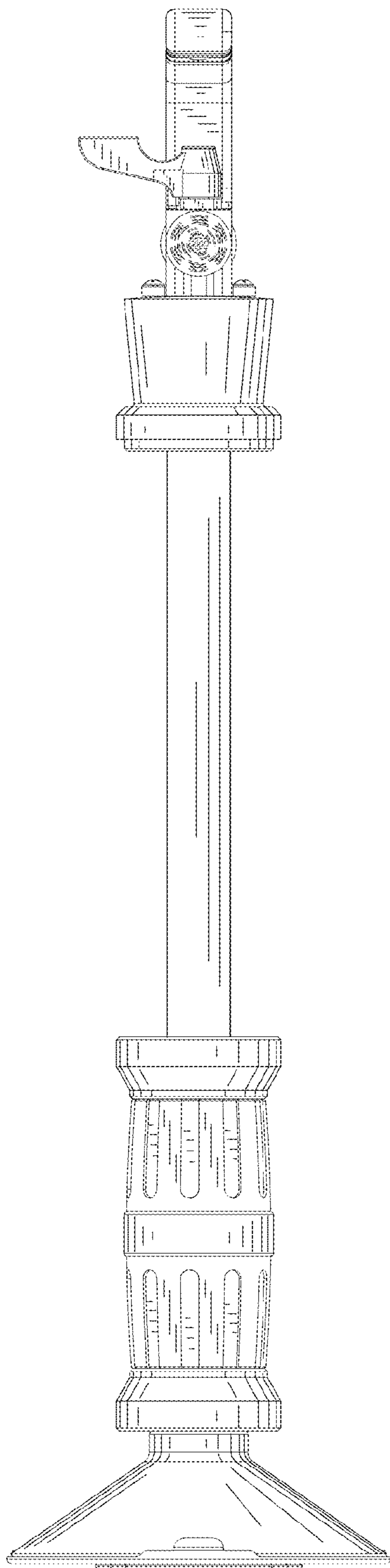


FIG. 4

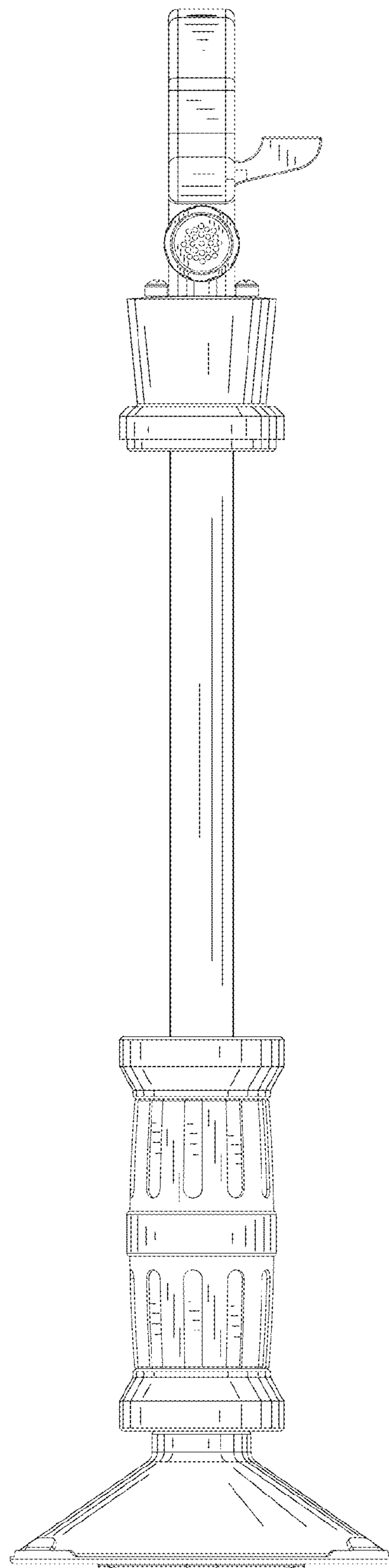


FIG. 5

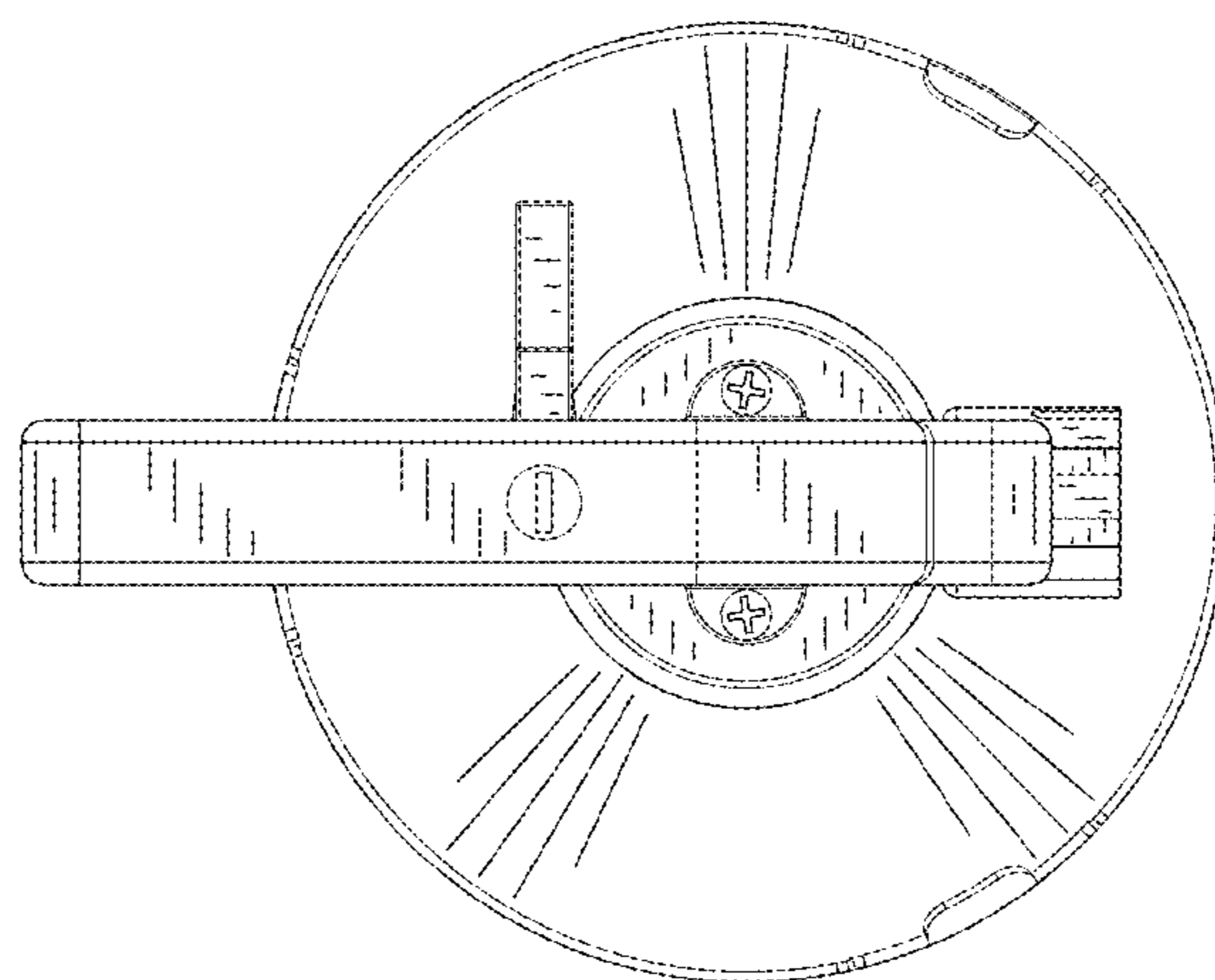


FIG. 6

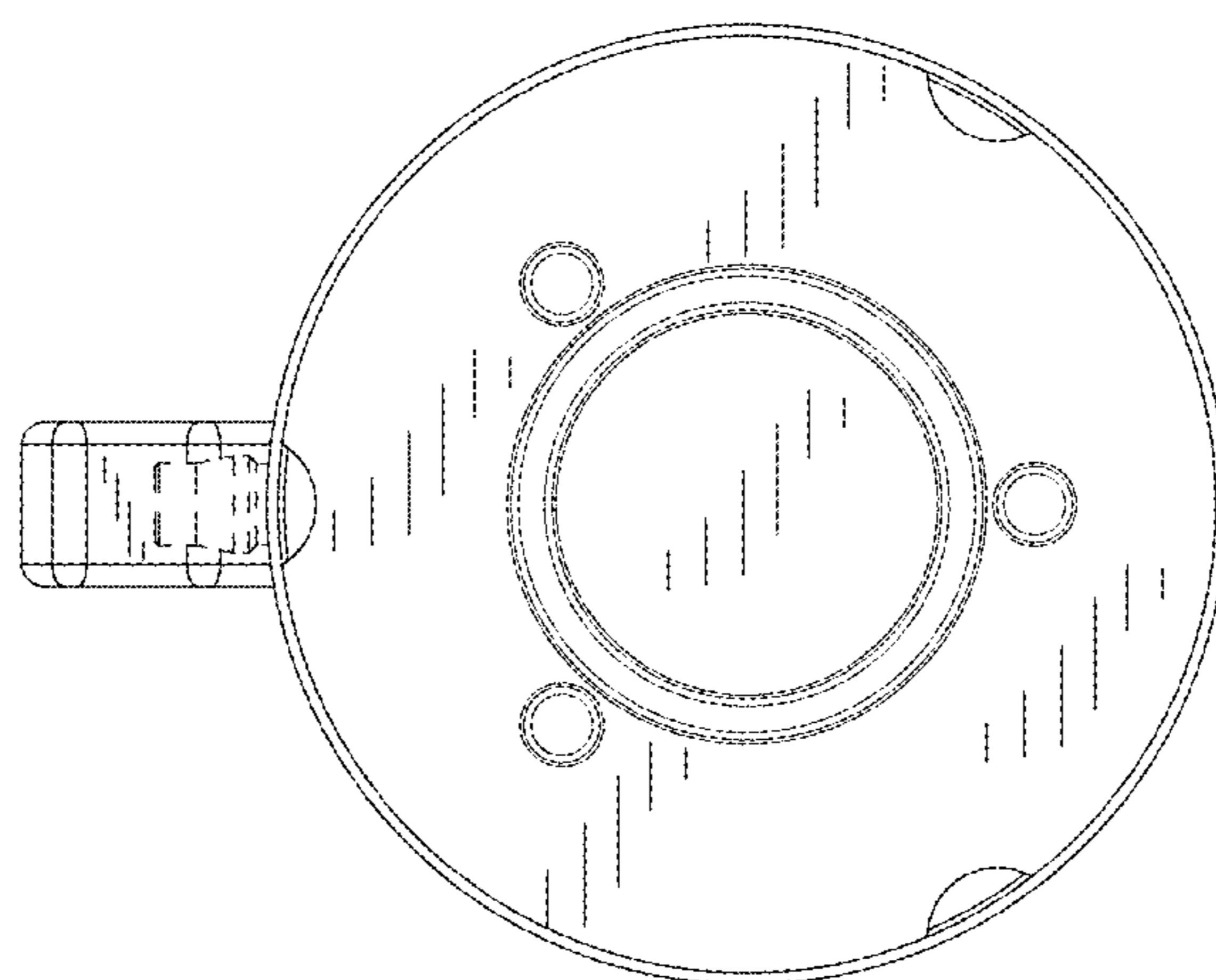


FIG. 7

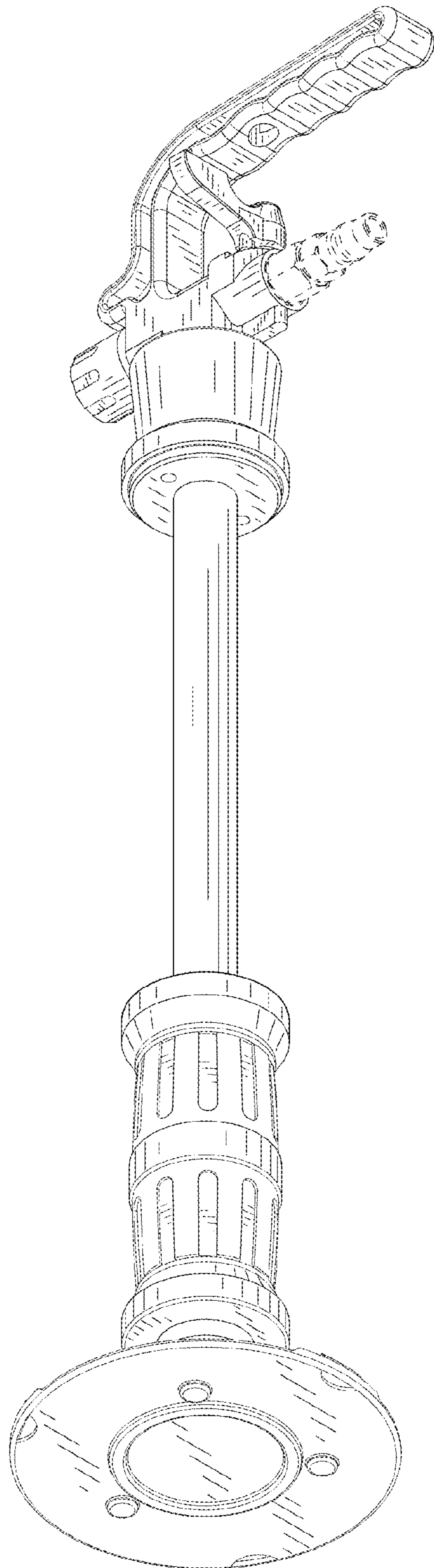


FIG. 8