



US00D880077S

(12) **United States Design Patent**
Ishii

(10) **Patent No.:** **US D880,077 S**
(45) **Date of Patent:** **** Mar. 31, 2020**

(54) **HELMET VISOR**

FOREIGN PATENT DOCUMENTS

(71) Applicant: **Masashi Ishii**, Tokyo (JP)

JP 1374230 10/2009

(72) Inventor: **Masashi Ishii**, Tokyo (JP)

JP 1480629 8/2013

JP 1520038 2/2015

JP 1522780 3/2015

(**) Term: **15 Years**

* cited by examiner

(21) Appl. No.: **29/673,451**

Primary Examiner — Randall H Gholson

(22) Filed: **Dec. 14, 2018**

(74) *Attorney, Agent, or Firm* — Trojan Law Offices

(30) **Foreign Application Priority Data**

(57) **CLAIM**

Jun. 14, 2018 (JP) 2018-013076

The ornamental design for a helmet visor, as shown and described.

(51) **LOC (12) Cl.** **02-03**

(52) **U.S. Cl.**

USPC **D29/122**; D29/109

(58) **Field of Classification Search**

USPC D29/100, 102, 104, 105, 106, 107, 108,
D29/109, 110, 122; D2/872, 873, 882;
2/455, 421, 424, 425, 15, 10, 12, 427,
2/428, 429, 431, 432, 9, 6.3, 6.4, 6.5, 6.6,
2/6.7, 411, 5, 173, 206, 207, 209.12,
2/209.13, 205, 909, 195.1, 195.6; 446/27

CPC A42B 1/00; A42B 3/04

See application file for complete search history.

DESCRIPTION

FIG. 1 is a perspective view of a helmet visor showing my new design.

FIG. 2 is a front view of the helmet visor shown in FIG. 1.

FIG. 3 is a rear view of the helmet visor shown in FIG. 1.

FIG. 4 is a side view of the helmet visor shown in FIG. 1.

FIG. 5 is a top view of the helmet visor shown in FIG. 1.

FIG. 6 is a bottom view of the helmet visor shown in FIG. 1.

1.

FIG. 7 is a perspective view of a helmet visor in accordance with another preferred embodiment of my new design.

FIG. 8 is a front view of the helmet visor shown in FIG. 7.

FIG. 9 is a rear view of the helmet visor shown in FIG. 7.

FIG. 10 is a side view of the helmet visor shown in FIG. 7.

FIG. 11 is a top view of the helmet visor shown in FIG. 7;

and,

FIG. 12 is a bottom view of the helmet visor shown in FIG. 7.

1.

(56) **References Cited**

U.S. PATENT DOCUMENTS

D246,272 S * 11/1977 Bay D29/109

D327,752 S 7/1992 Lee

D427,381 S 6/2000 Ho

D455,523 S 4/2002 Yungblut

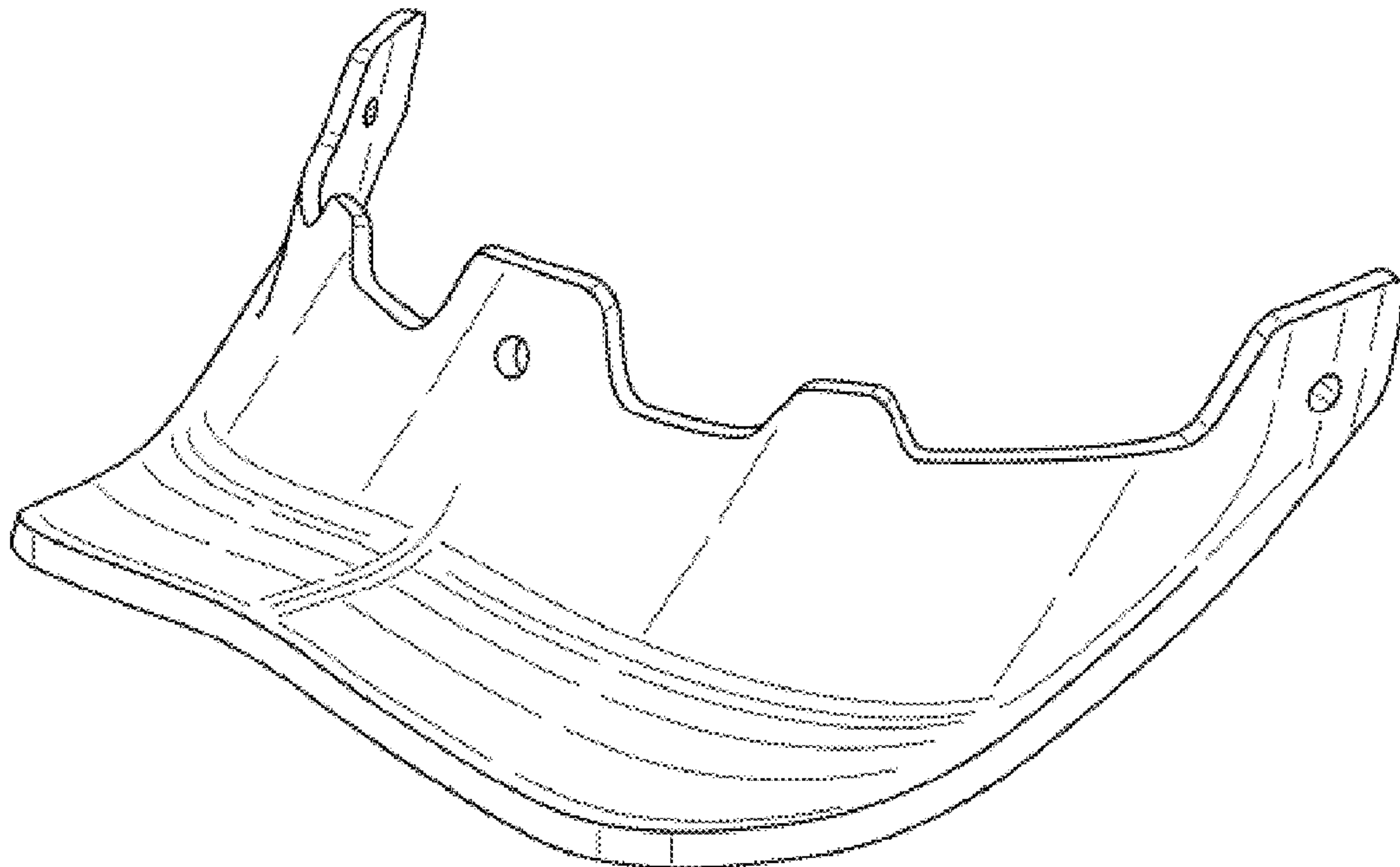
D499,213 S 11/2004 Lee

D677,434 S 3/2013 Arai

D683,501 S * 5/2013 Klotz D29/109

D729,460 S 5/2015 Hendl

1 Claim, 12 Drawing Sheets



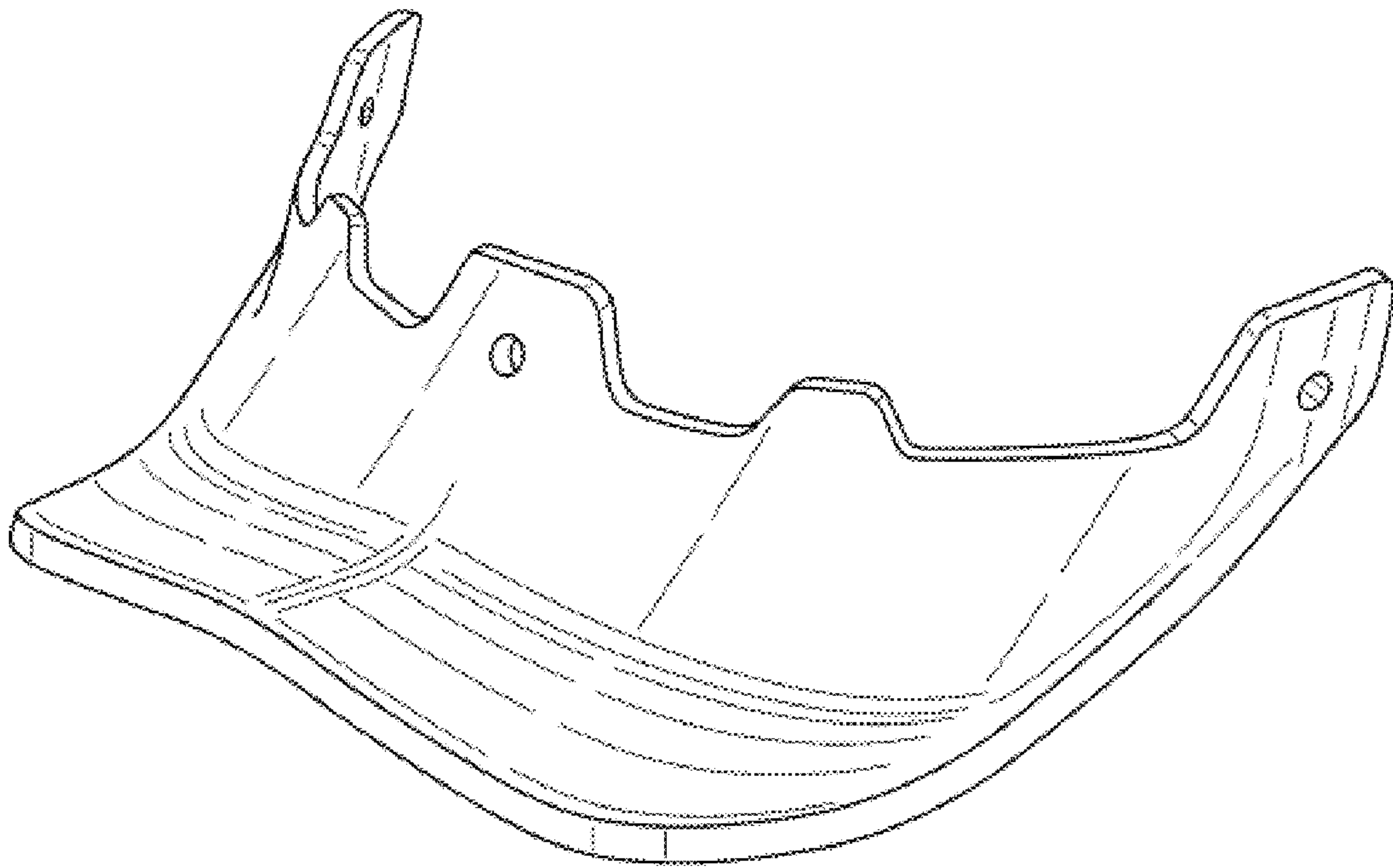


FIG. 1

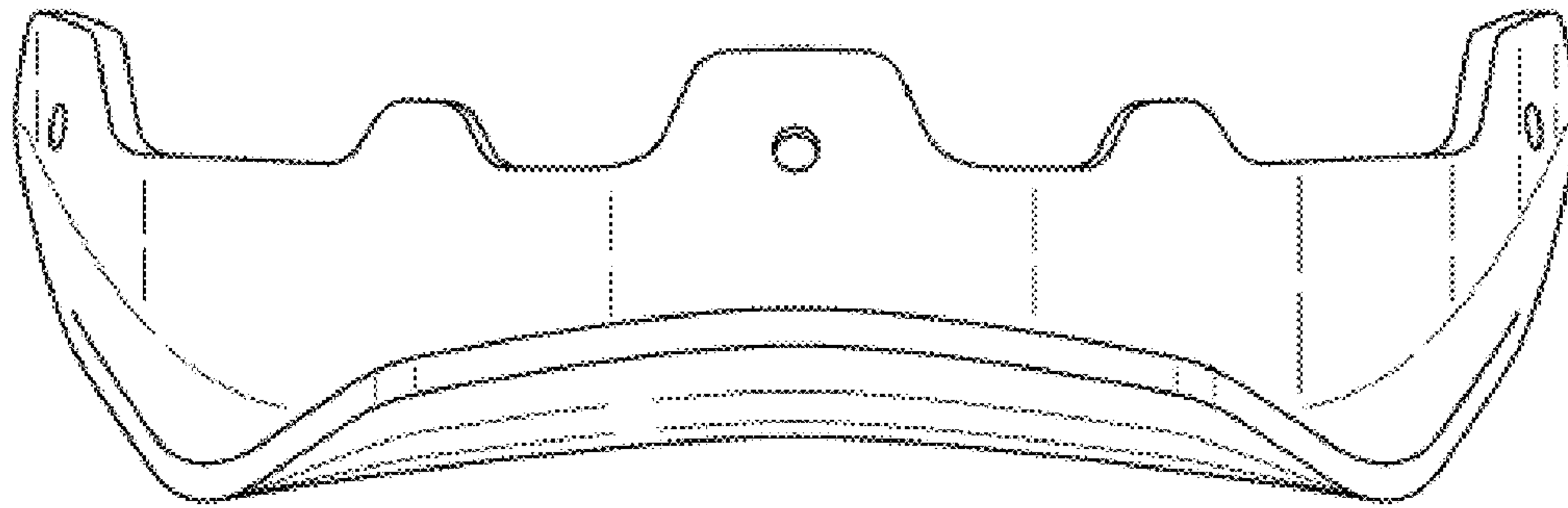


FIG. 2

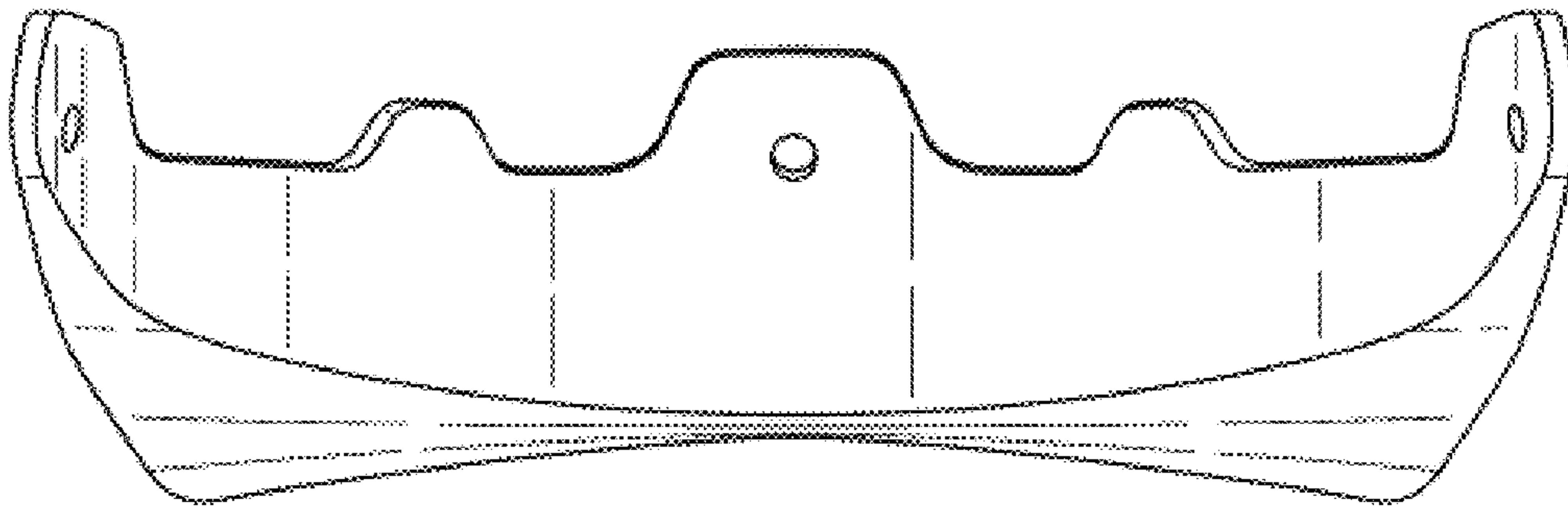


FIG. 3

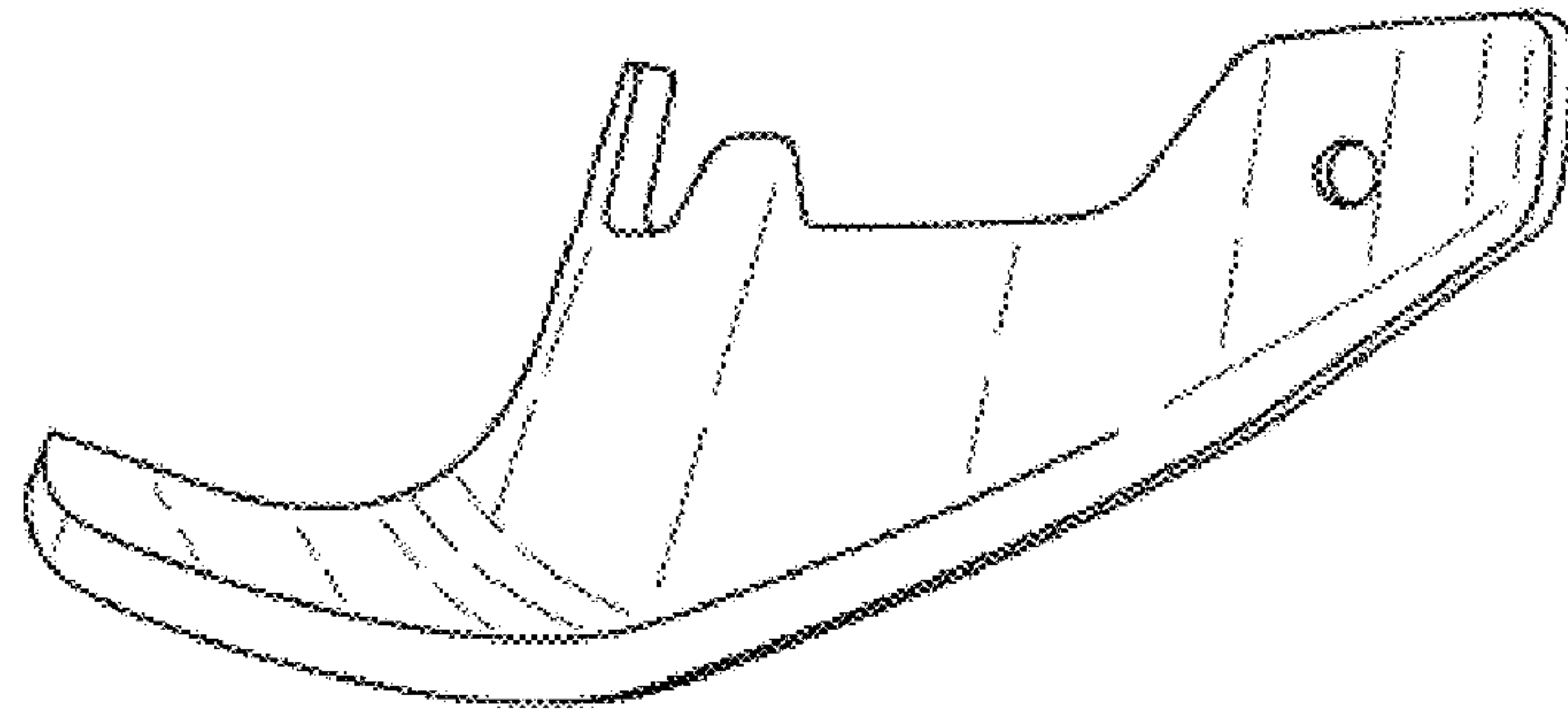


FIG. 4

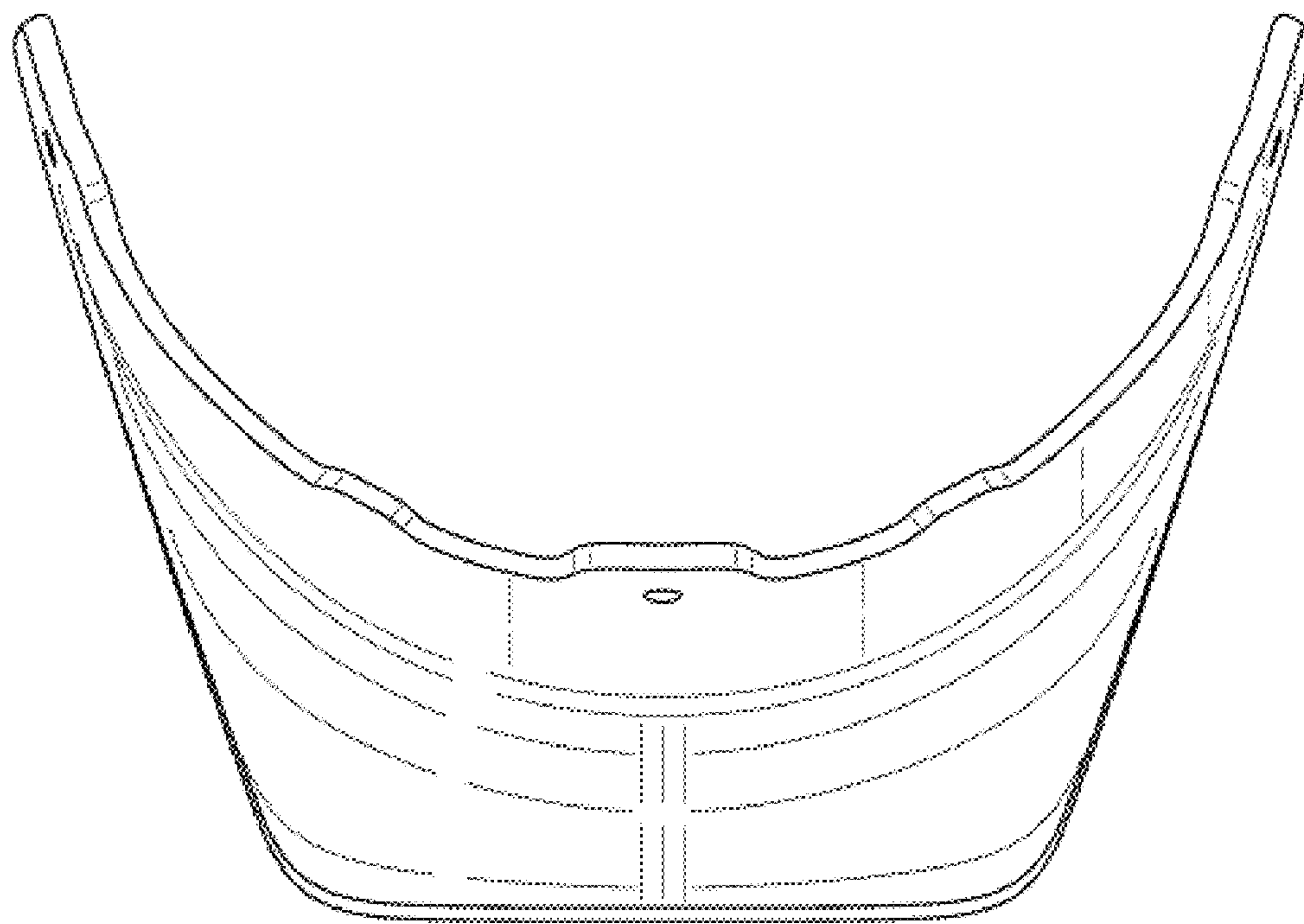


FIG. 5

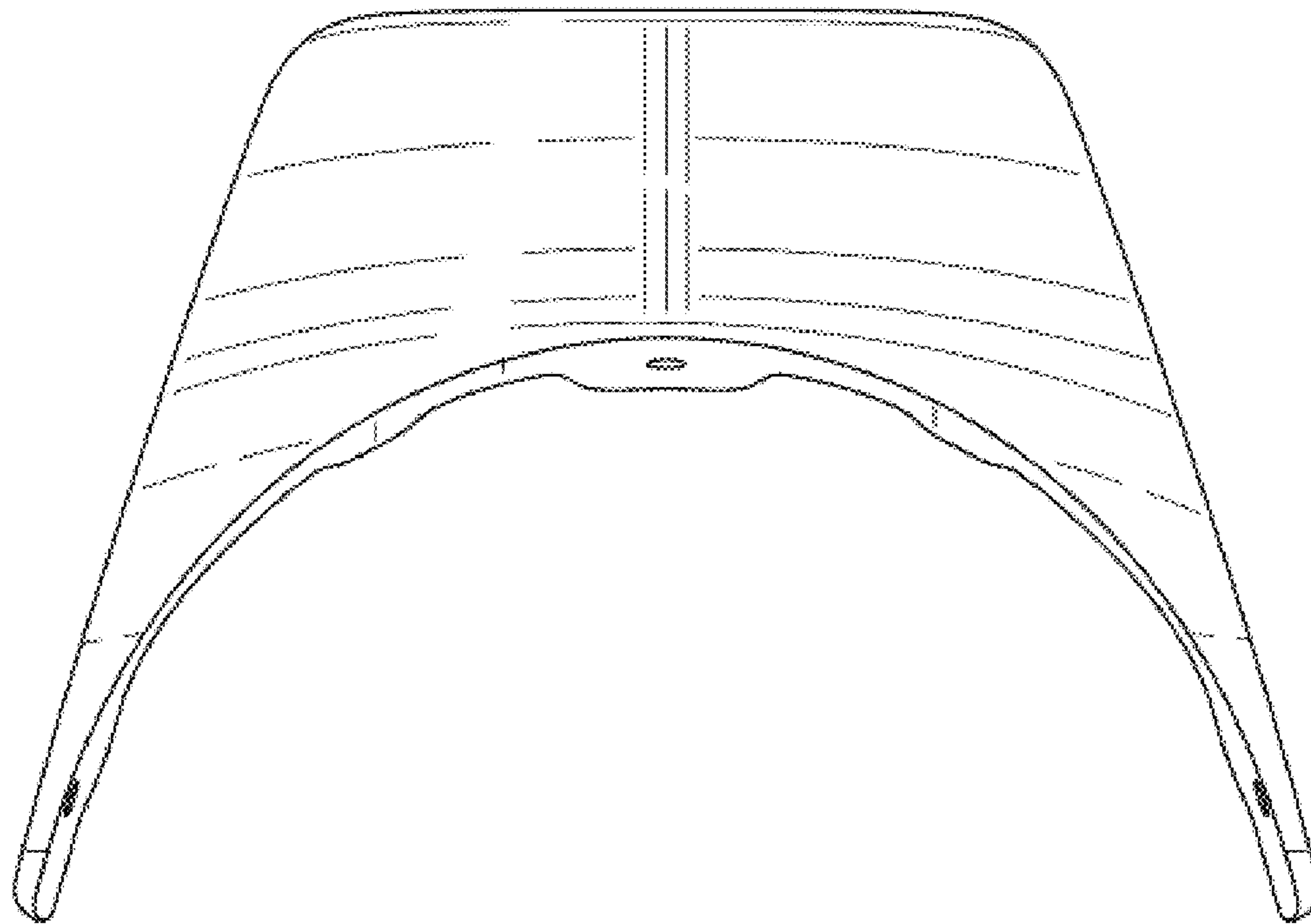


FIG. 6

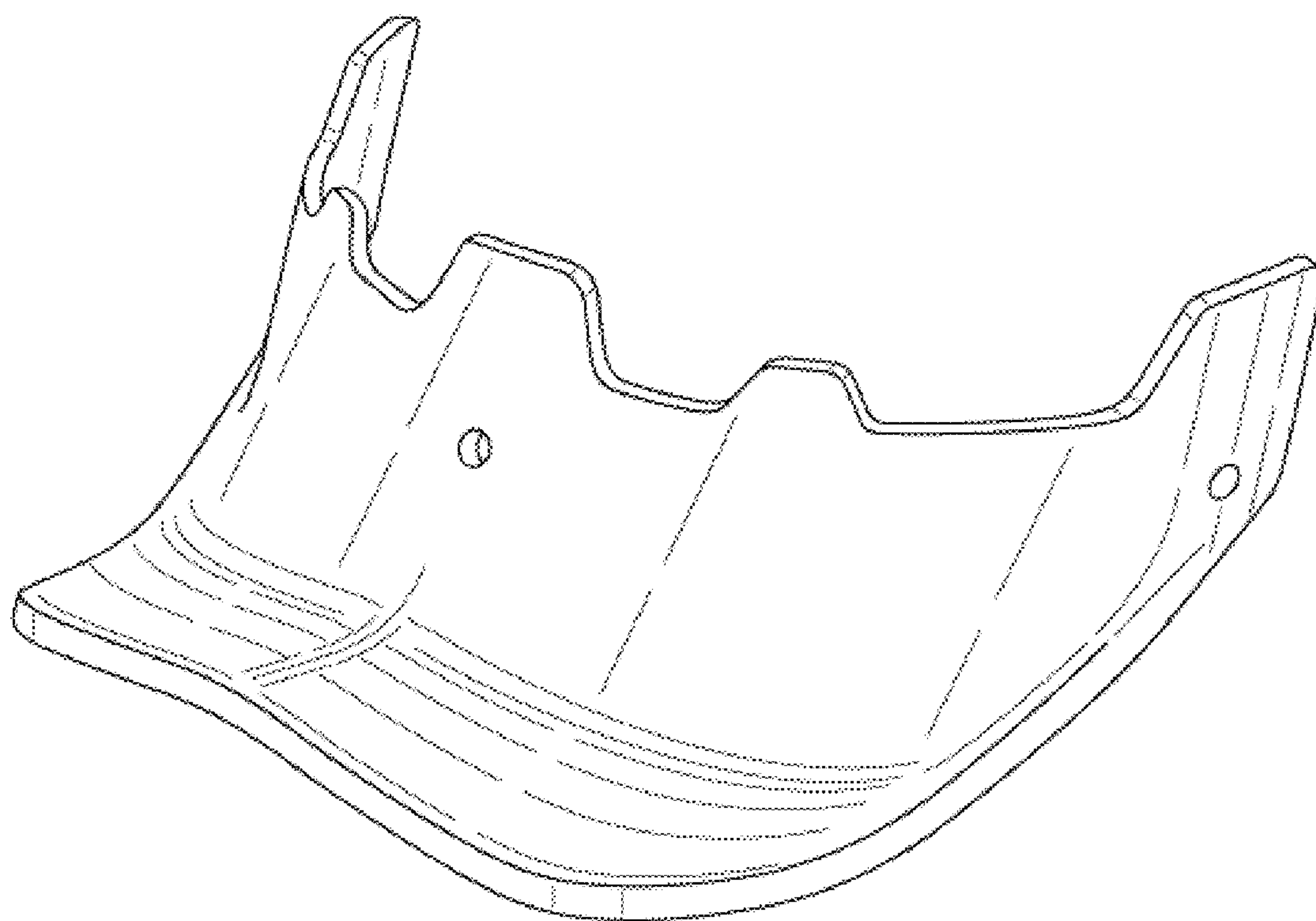


FIG. 7

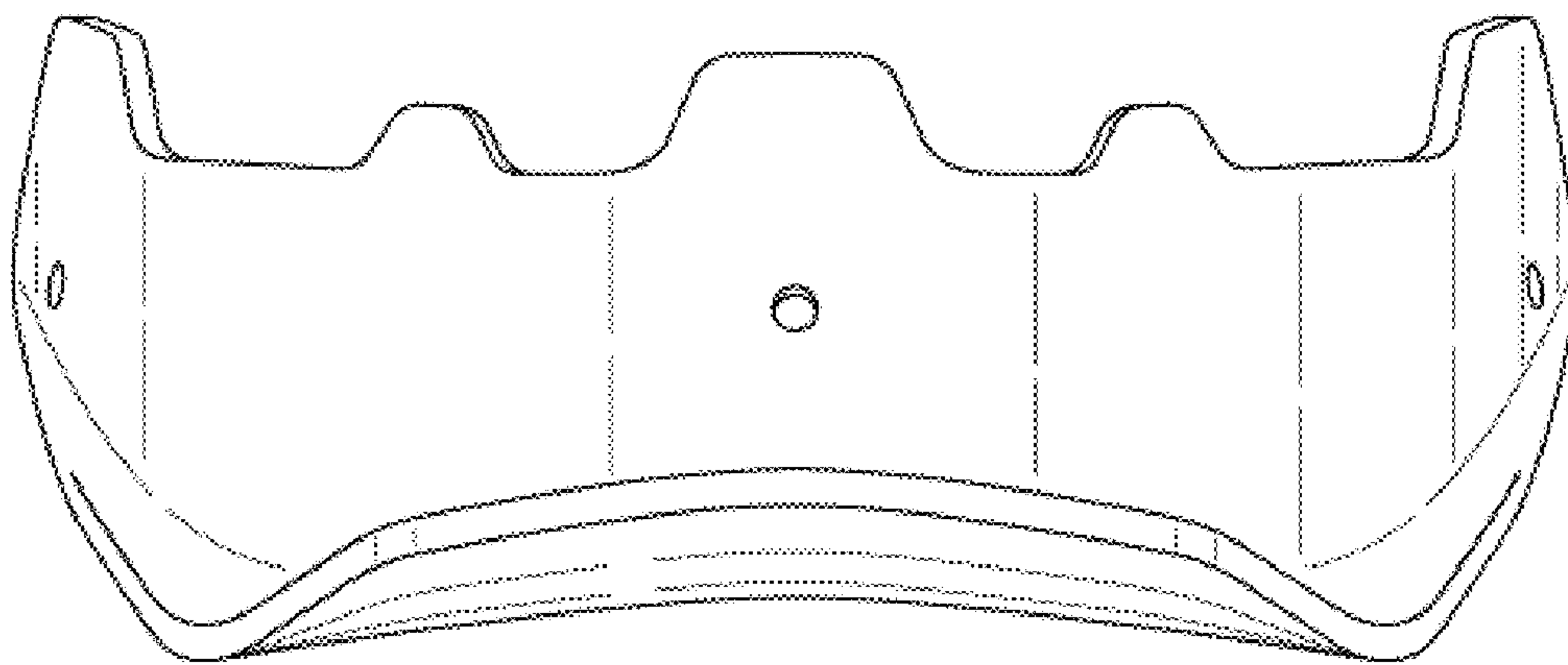


FIG. 8

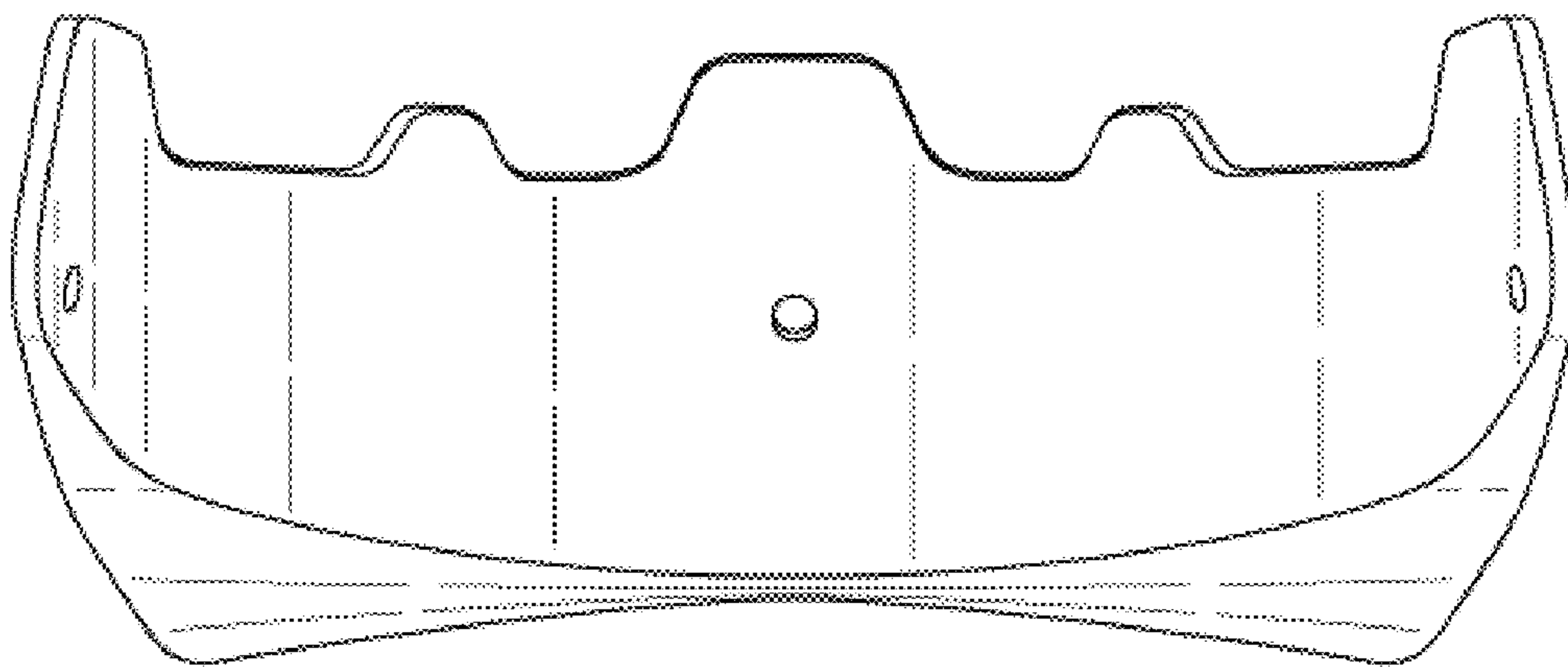


FIG. 9

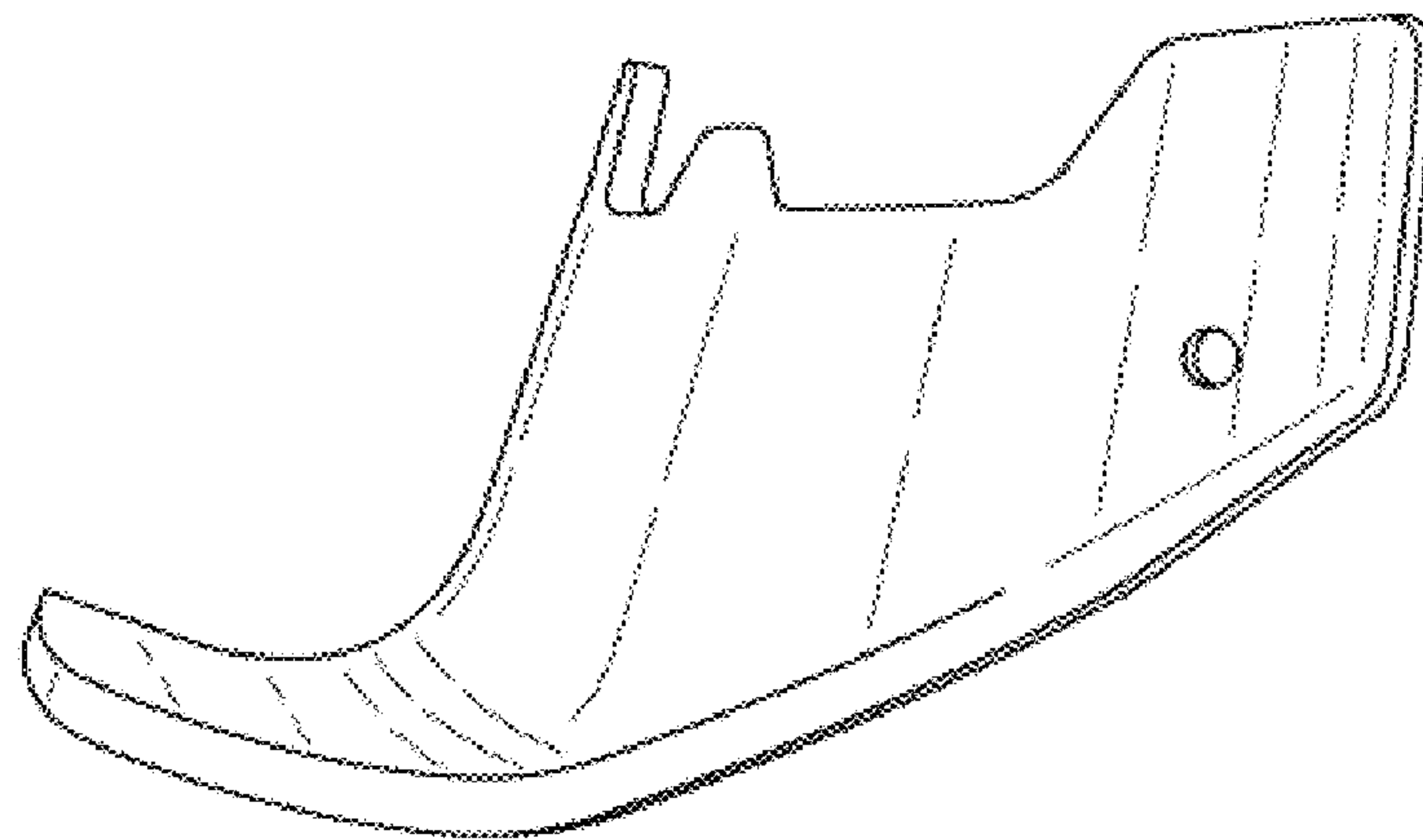


FIG. 10

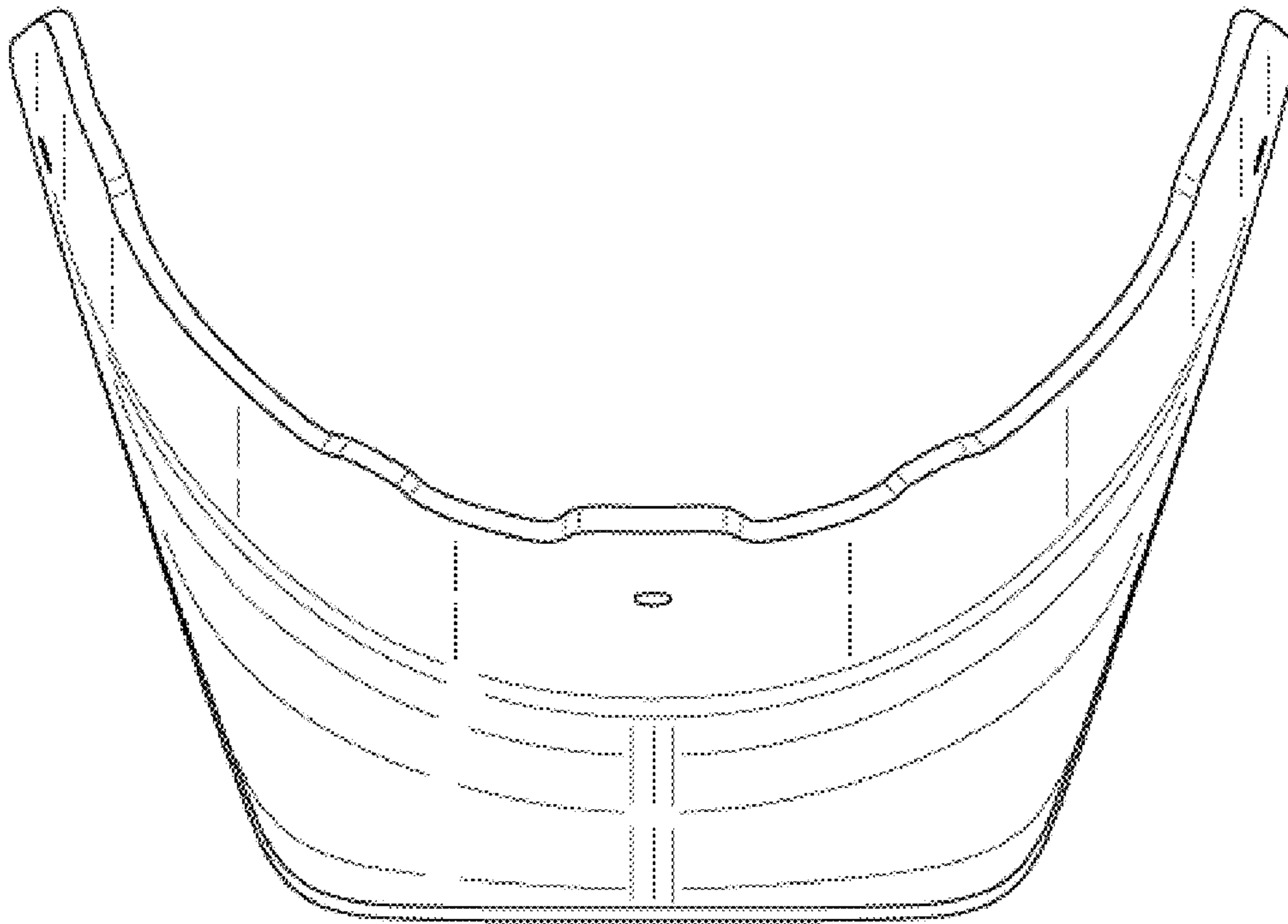


FIG. 11

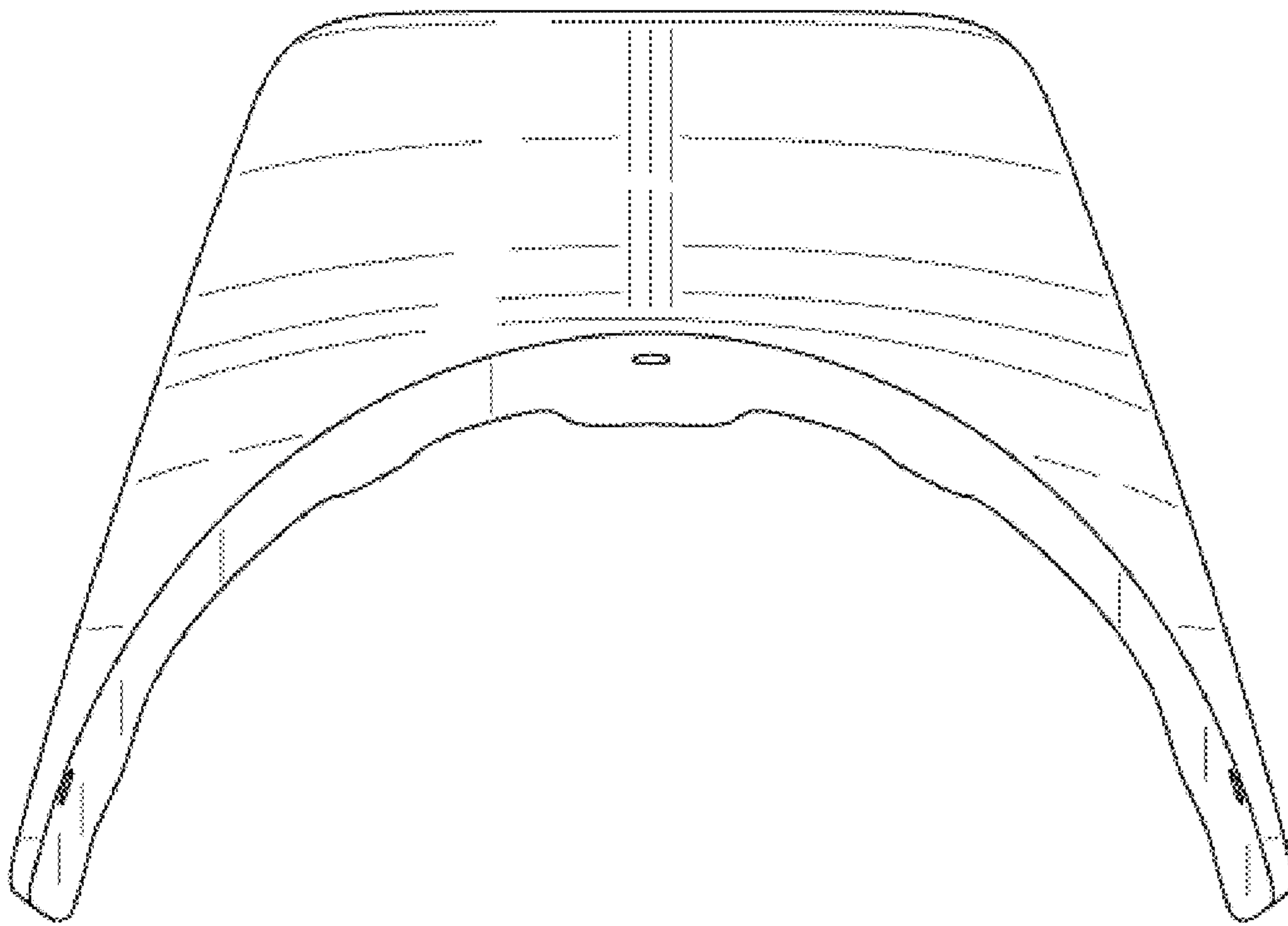


FIG. 12