



US00D880075S

(12) **United States Design Patent**  
**Proctor et al.**

(10) **Patent No.:** **US D880,075 S**  
(45) **Date of Patent:** **\*\* Mar. 31, 2020**

(54) **GUARD INSERT**

(71) Applicant: **COLUMBIA INSURANCE COMPANY**, Omaha, NE (US)

(72) Inventors: **Tim Proctor**, Ringgold, GA (US);  
**Thompson Harris**, Rock Spring, GA (US)

(73) Assignee: **COLUMBIA INSURANCE COMPANY**, Omaha, NE (US)

(\*\*) Term: **15 Years**

(21) Appl. No.: **29/649,321**

(22) Filed: **May 29, 2018**

(51) **LOC (12) Cl.** ..... **29-02**

(52) **U.S. Cl.**  
USPC ..... **D29/122**

(58) **Field of Classification Search**  
USPC ..... D29/100, 102-111, 122; D2/865, 866,  
D2/878, 891, 892; 2/6.6, 6.7, 9, 10, 15,  
(Continued)

(56) **References Cited**

**U.S. PATENT DOCUMENTS**

D723,679 S \* 3/2015 Neff ..... D29/122

**OTHER PUBLICATIONS**

U.S. Appl. No. 29/649,319, filed May 29, 2018, Tim Proctor.  
(Continued)

*Primary Examiner* — Randall H Gholson

(74) *Attorney, Agent, or Firm* — Ballard Spahr LLP

(57) **CLAIM**

The ornamental design for a guard insert, as shown and described.

**DESCRIPTION**

FIG. 1 is a top, right perspective view of a guard insert showing our new design;

FIG. 2 is a top, left perspective view of the guard insert of FIG. 1;

FIG. 3 is a bottom, right perspective view of the guard insert of FIG. 1;

FIG. 4 is a bottom, left perspective view of the guard insert of FIG. 1;

FIG. 5 is a front elevational view of the guard insert of FIG. 1;

FIG. 6 is a rear elevational view of the guard insert of FIG. 1;

FIG. 7 is a left side plan view of the guard insert of FIG. 1;

FIG. 8 is a right side plan view of the guard insert of FIG. 1;

FIG. 9 is a top plan view of the guard insert of FIG. 1;

FIG. 10 is a bottom plan view of the guard insert of FIG. 1;

FIG. 11 is a top, right perspective view of another embodiment of a guard insert showing our new design;

FIG. 12 is a top, left perspective view of the guard insert of FIG. 11;

FIG. 13 is a bottom, right perspective view of the guard insert of FIG. 11;

FIG. 14 is a bottom, left perspective view of the guard insert of FIG. 11;

FIG. 15 is a front elevational view of the guard insert of FIG. 11;

FIG. 16 is a rear elevational view of the guard insert of FIG. 11;

FIG. 17 is a left side plan view of the guard insert of FIG. 11;

FIG. 18 is a right side plan view of the guard insert of FIG. 11;

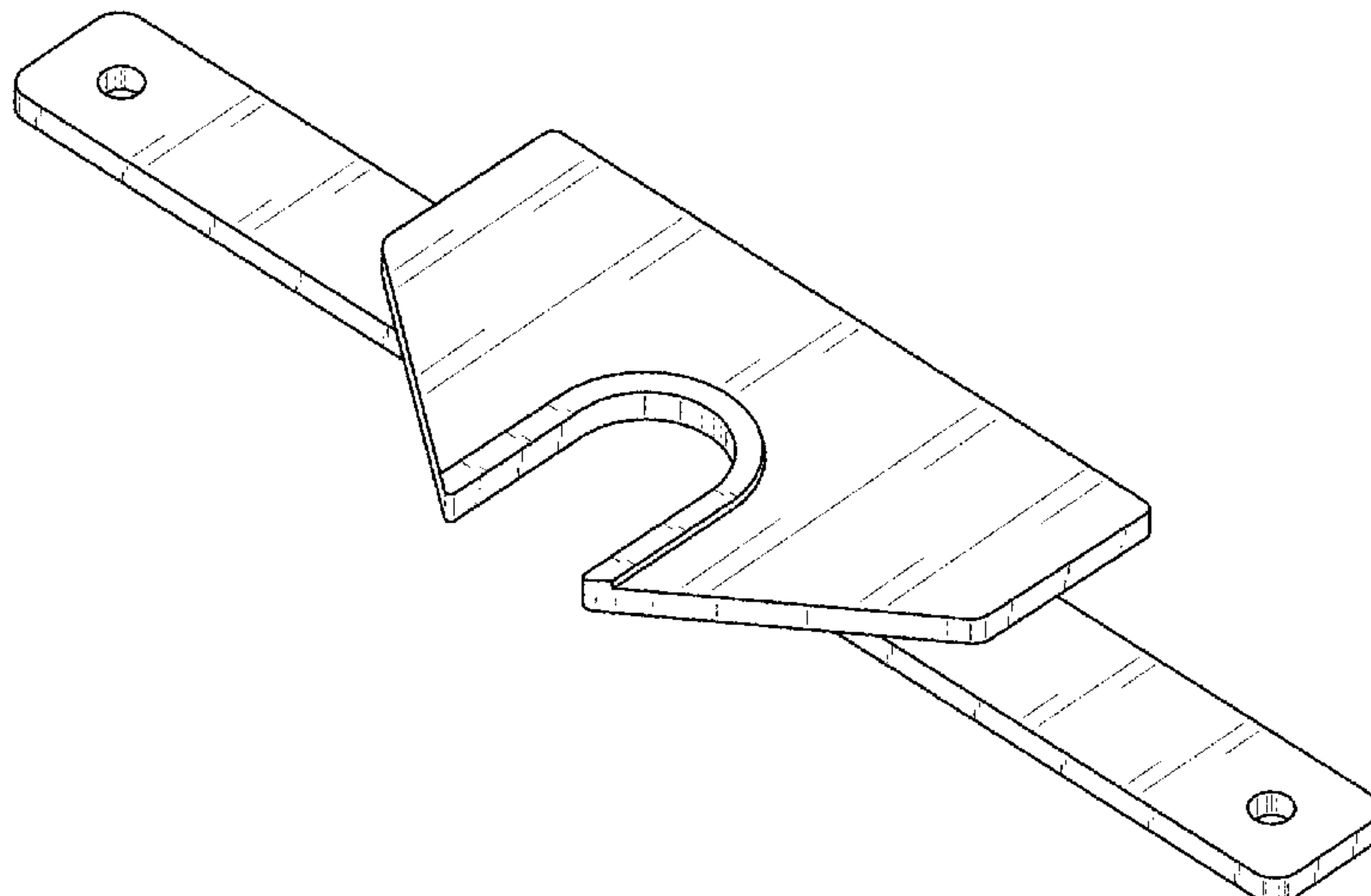
FIG. 19 is a top plan view of the guard insert of FIG. 11; and,

FIG. 20 is a bottom plan view of the guard insert of FIG. 11.

The broken lines having consistent dash lengths (dash-dash-dash) are shown on the guard insert in FIGS. 11-20 for illustrative purposes only and form no part of the claimed design.

The broken lines having variable dash lengths (long dash-short dash-long dash) shown on the guard insert in FIGS. 11-20 are boundary lines representing a boundary of the claimed design.

**1 Claim, 20 Drawing Sheets**



(58) **Field of Classification Search**

USPC ... 2/171, 410–414, 417, 418, 421–425, 431,  
2/452, 455, 909

CPC .... A42B 3/00; A42B 3/18; A42B 3/20; A42B  
3/32; A42B 3/324; A42B 3/322; A42B  
3/04

See application file for complete search history.

(56) **References Cited**

OTHER PUBLICATIONS

U.S. Appl. No. 29/649,322, filed May 29, 2018, Tim Proctor.  
Non Final Rejection dated Aug. 7, 2019 by the U.S. Appl. No.  
29/649,319, filed May 29, 2018 (Inventor—Tim Proctor) (5 Pages).  
Non Final Rejection dated Aug. 8, 2019 by the U.S. Appl. No.  
29/649,322, filed May 29, 2018 (Inventor—Tim Proctor) (5 Pages).

\* cited by examiner

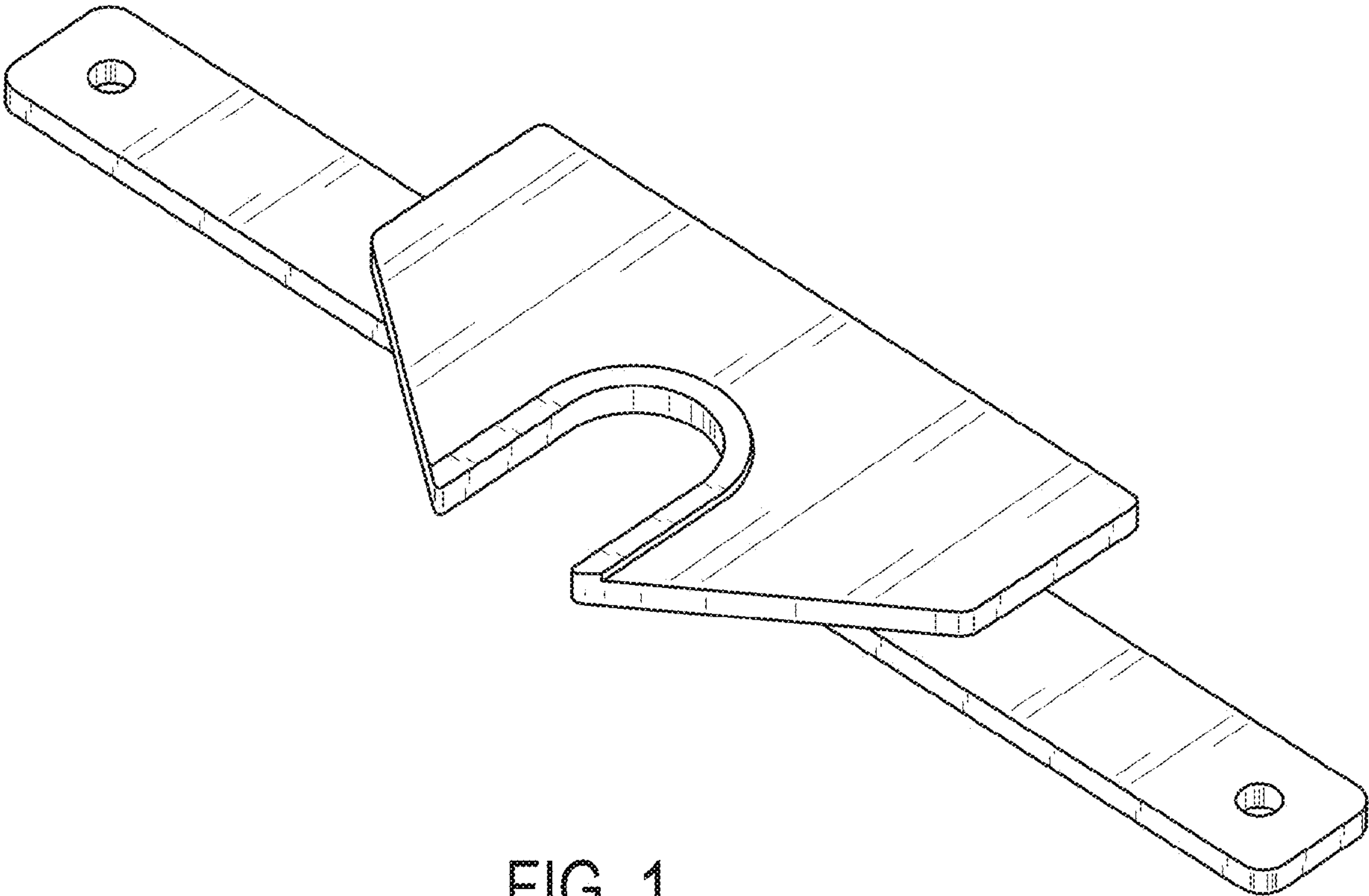


FIG. 1

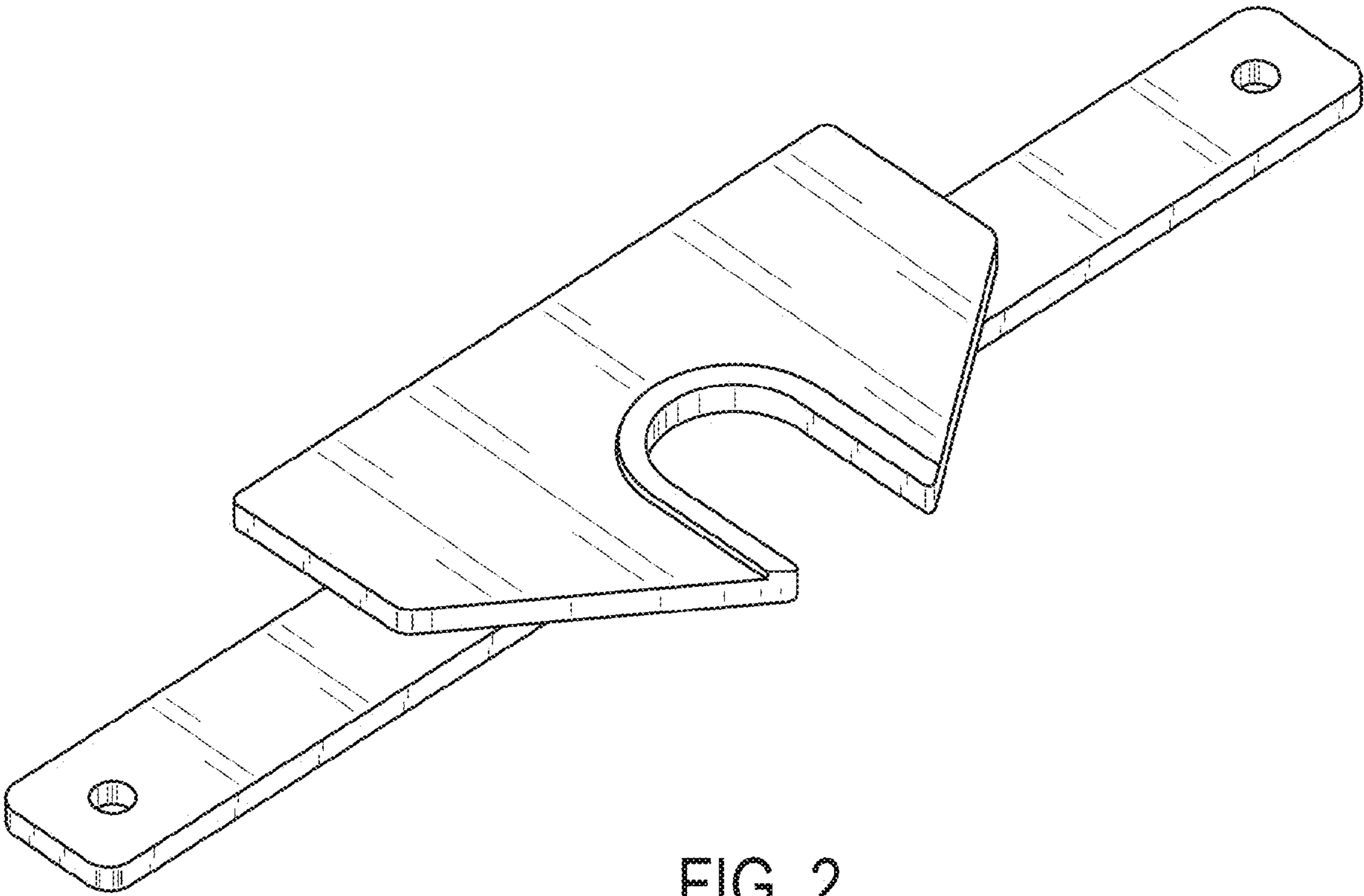


FIG. 2

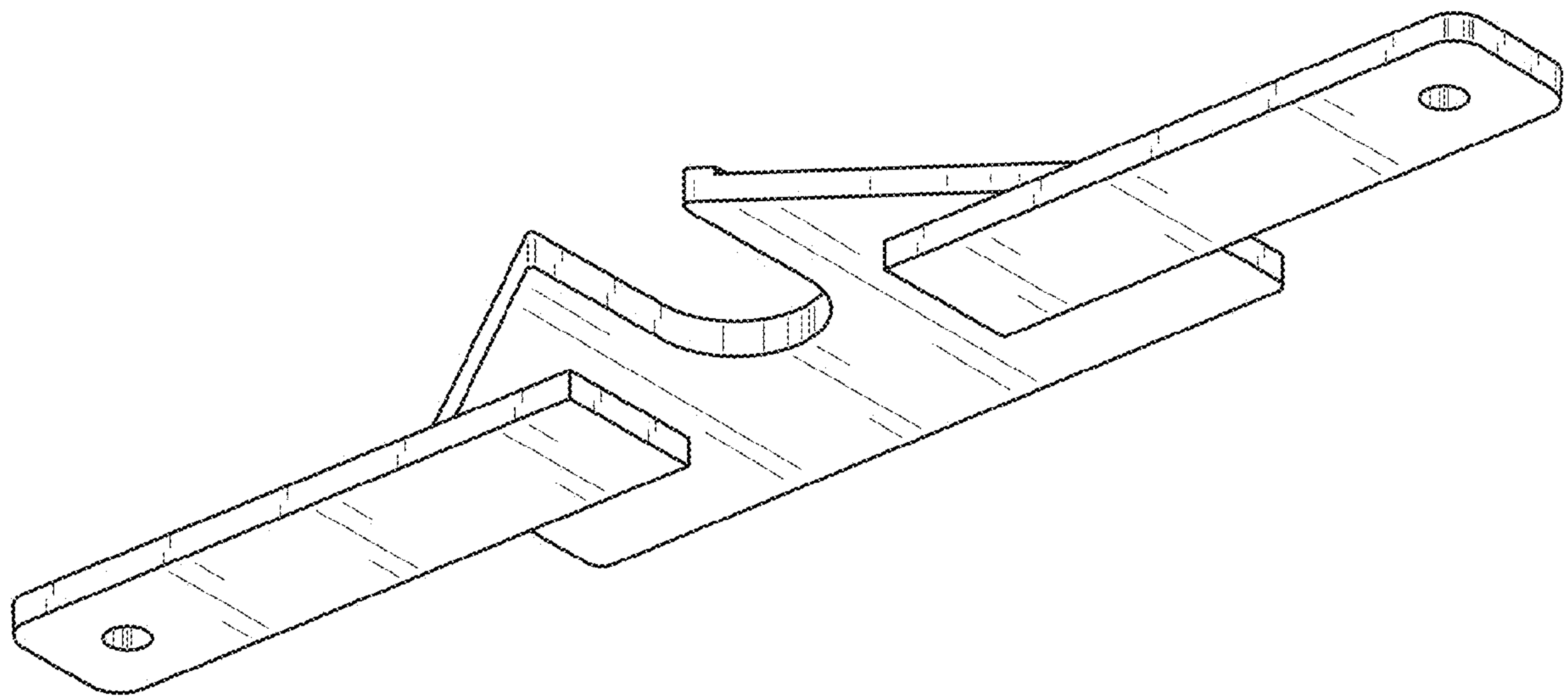


FIG. 3

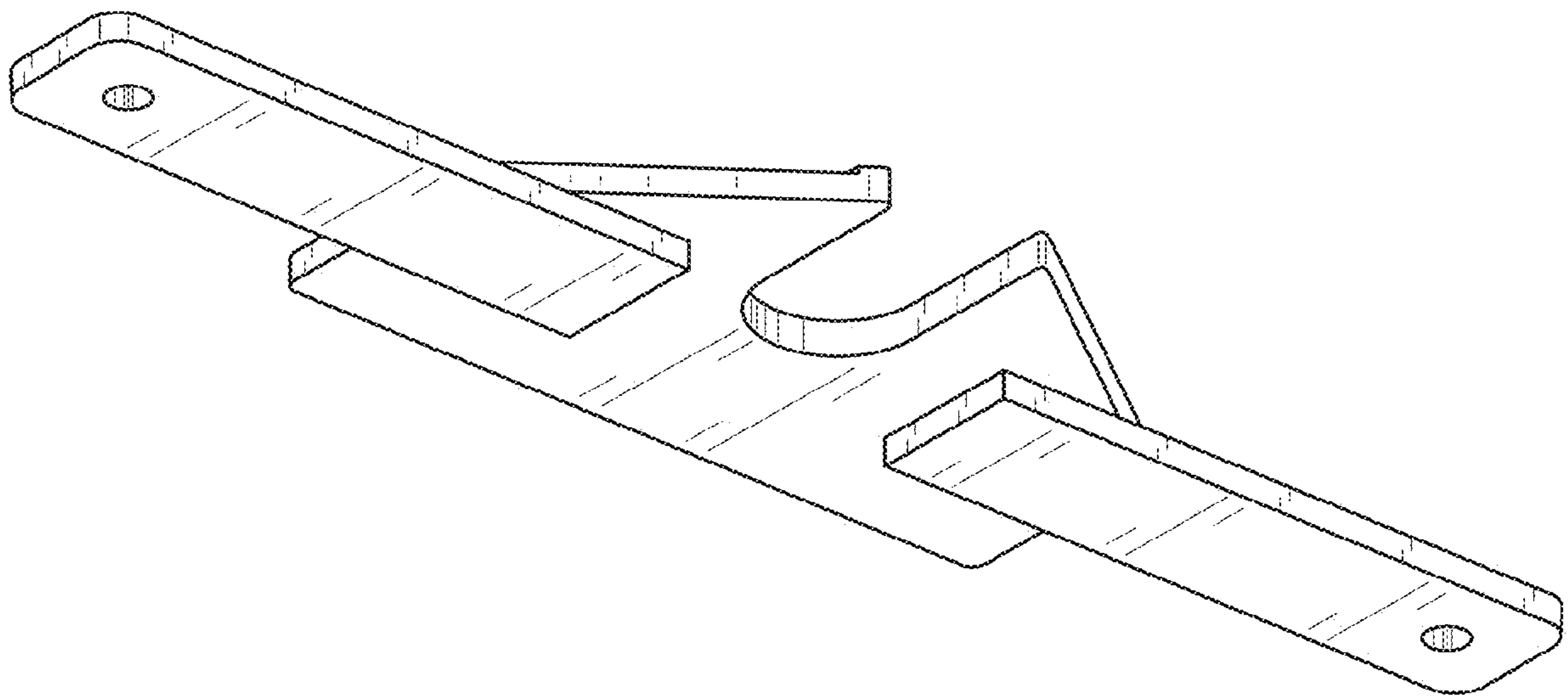


FIG. 4



FIG. 5





FIG. 6





FIG. 7



FIG. 8

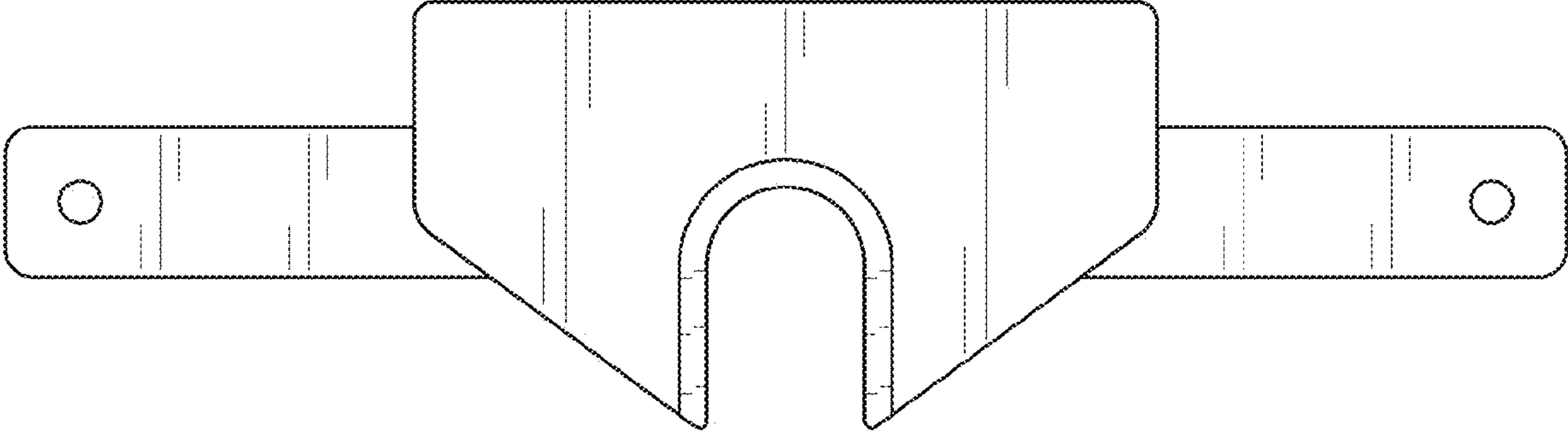


FIG. 9

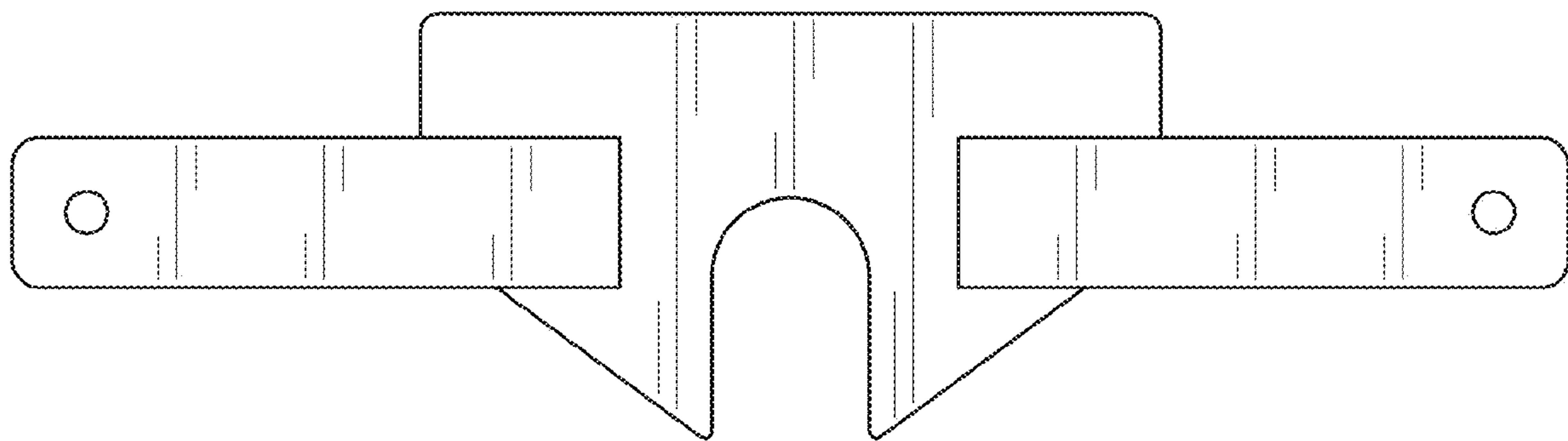


FIG. 10

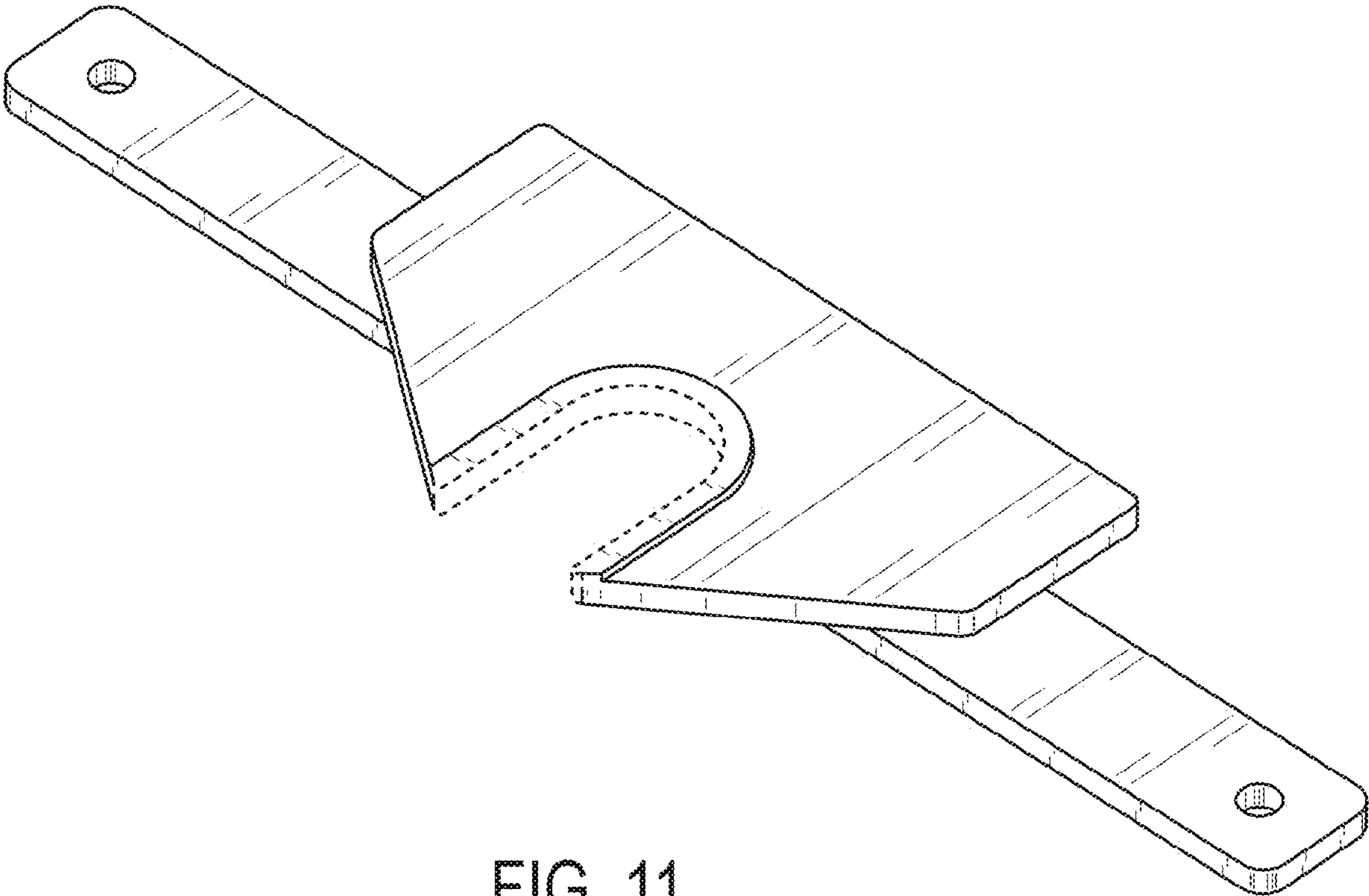


FIG. 11

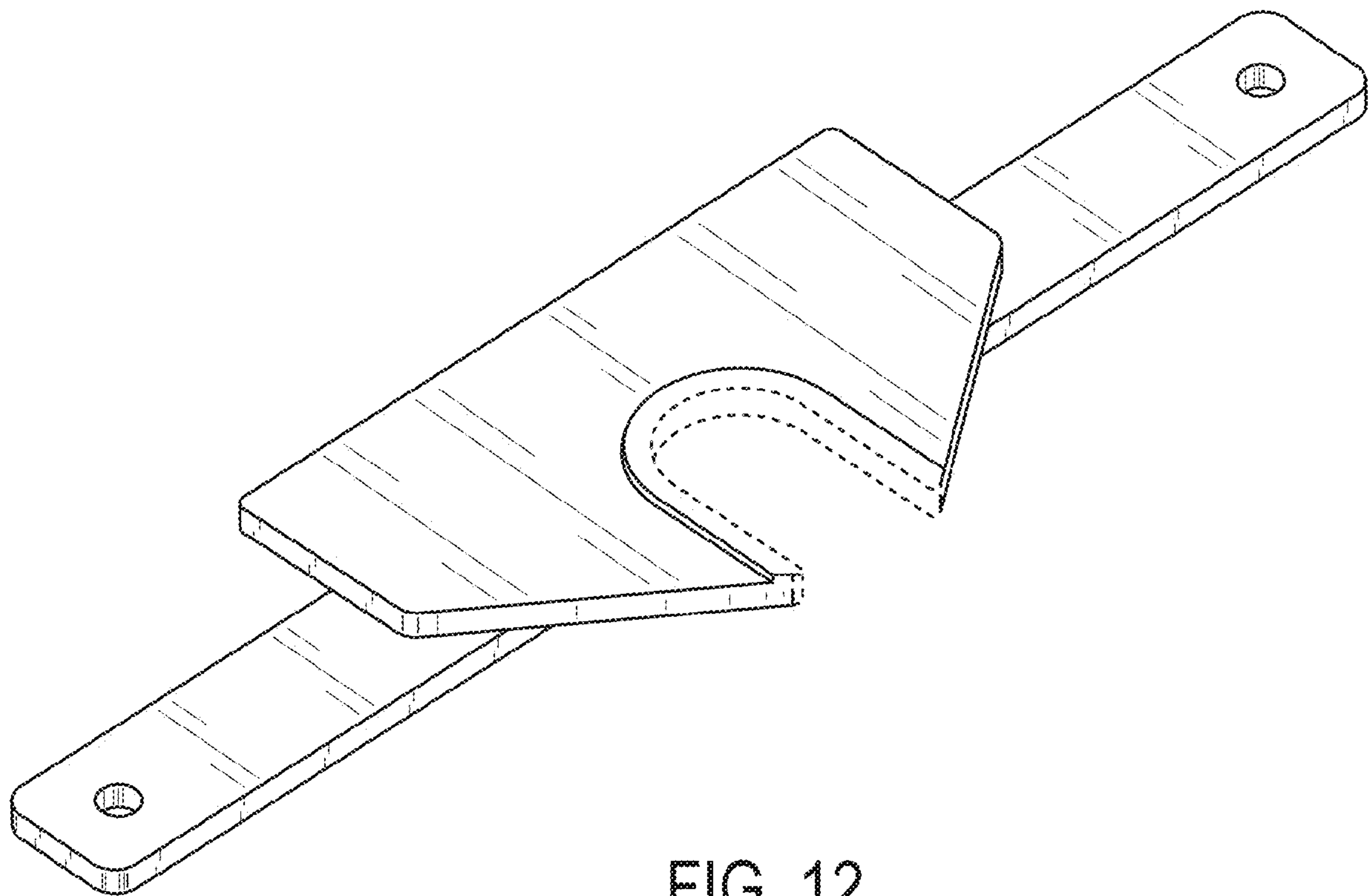


FIG. 12

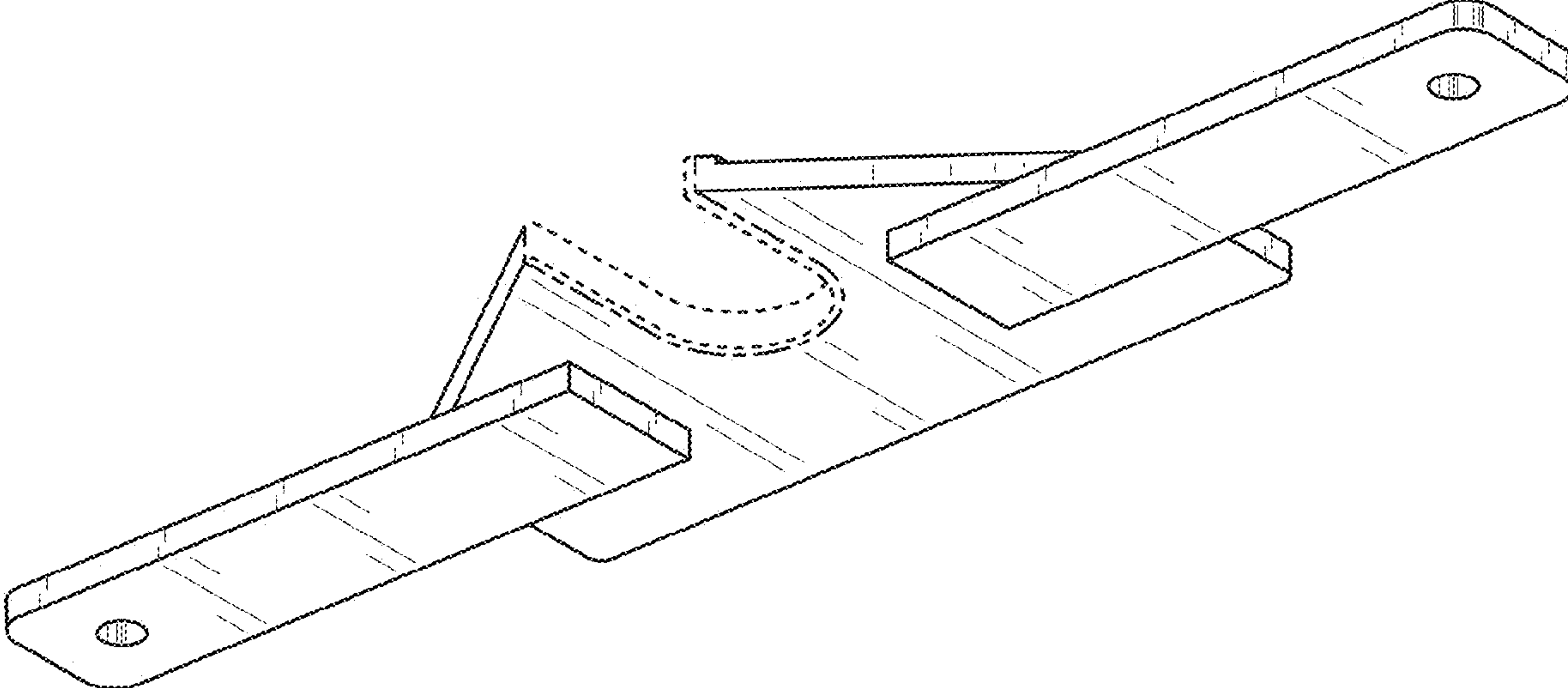


FIG. 13



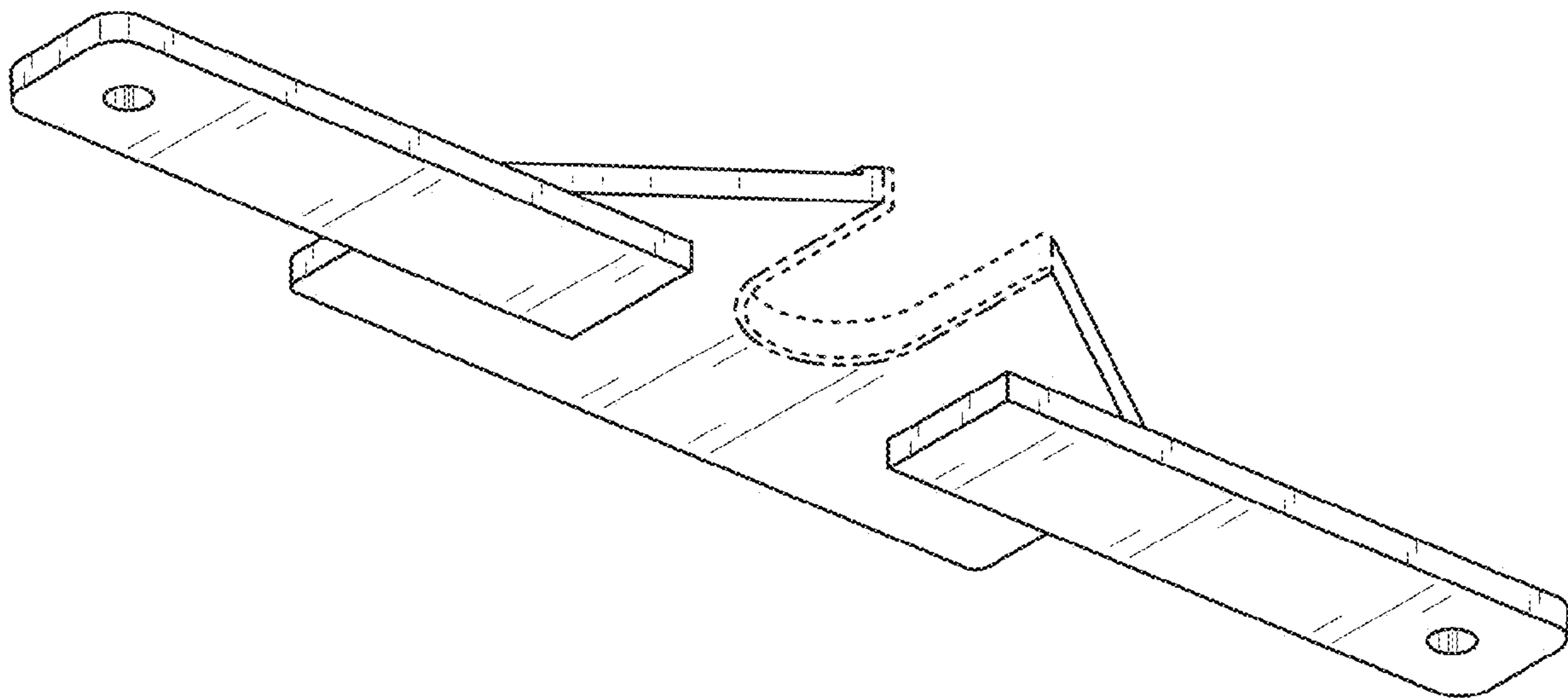


FIG. 14

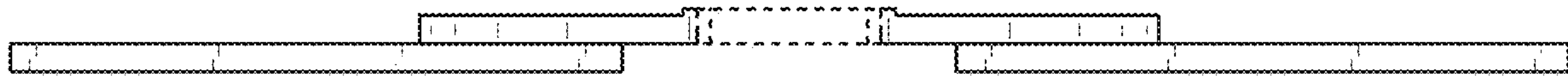


FIG. 15

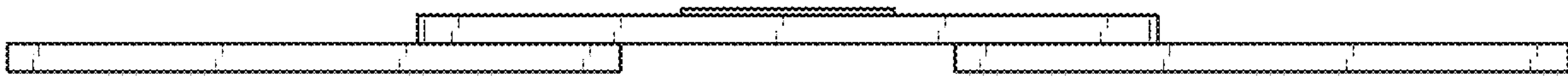


FIG. 16



FIG. 17



FIG. 18

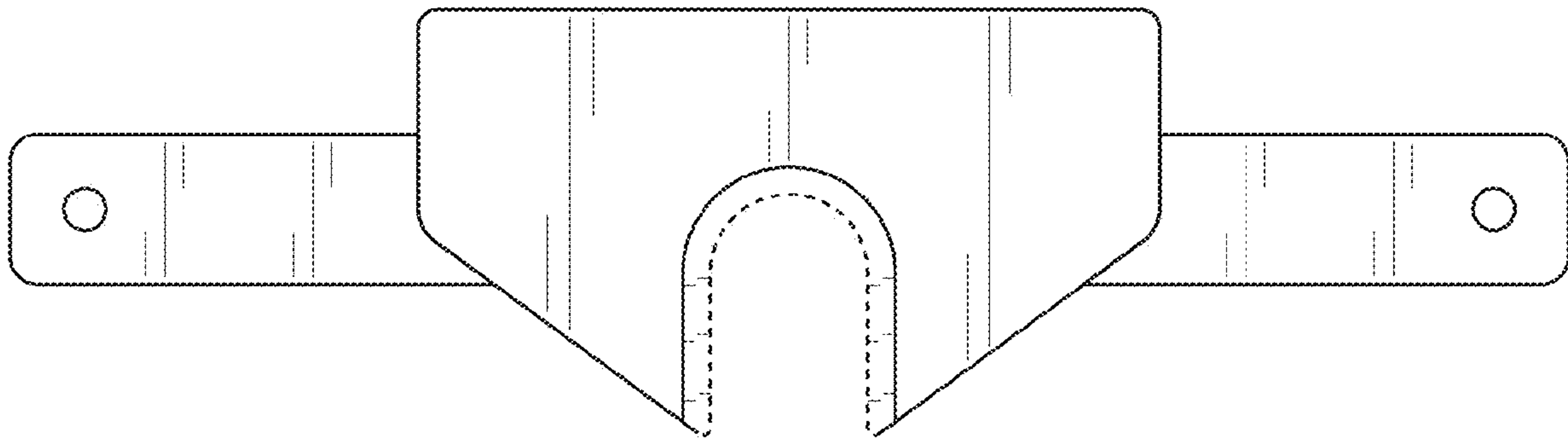


FIG. 19

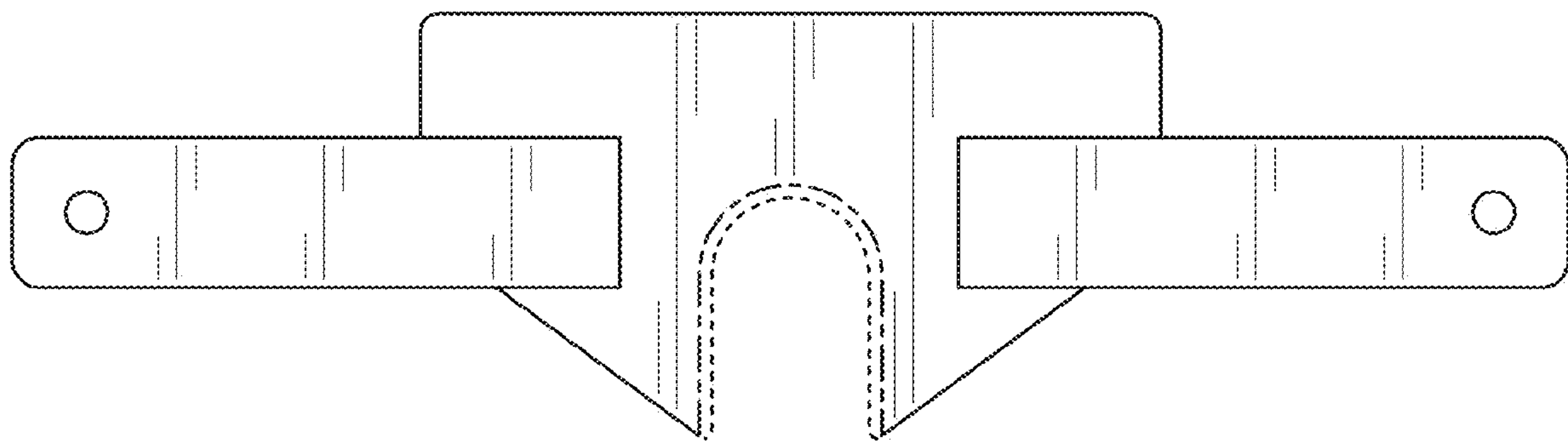


FIG. 20