



US00D880074S

(12) **United States Design Patent**
Proctor et al.

(10) **Patent No.:** **US D880,074 S**
(45) **Date of Patent:** **** Mar. 31, 2020**

(54) **GUARD INSERT**

(71) Applicant: **COLUMBIA INSURANCE COMPANY**, Omaha, NE (US)

(72) Inventors: **Tim Proctor**, Ringgold, GA (US);
Thompson Harris, Rock Spring, GA (US)

(73) Assignee: **COLUMBIA INSURANCE COMPANY**, Omaha, NE (US)

(**) Term: **15 Years**

(21) Appl. No.: **29/649,319**

(22) Filed: **May 29, 2018**

(51) **LOC (12) Cl.** **29-02**

(52) **U.S. Cl.**
USPC **D29/122**

(58) **Field of Classification Search**
USPC D29/100, 102–111, 122; D2/865, 866,
D2/878, 891, 892; 2/6.6, 6.7, 9, 10, 15,
(Continued)

(56) **References Cited**

PUBLICATIONS

Non Final Rejection dated Aug. 7, 2019 by the USPTO for U.S. Appl. No. 29/649,321, filed May 29, 2018 (Inventor—Tim Proctor) (5 Pages).

(Continued)

Primary Examiner — Randall H Gholson

(74) *Attorney, Agent, or Firm* — Ballard Spahr LLP

(57) **CLAIM**

The ornamental design for a guard insert, as shown and described.

DESCRIPTION

FIG. 1 is a top, left perspective view of a guard insert showing our new design;
FIG. 2 is a top, right perspective view of the guard insert of FIG. 1;

FIG. 3 is a bottom, left perspective view of the guard insert of FIG. 1;

FIG. 4 is a bottom, right perspective view of the guard insert of FIG. 1;

FIG. 5 is a front elevational view of the guard insert of FIG. 1;

FIG. 6 is a rear elevational view of the guard insert of FIG. 1;

FIG. 7 is a left side plan view of the guard insert of FIG. 1;

FIG. 8 is a right side plan view of the guard insert of FIG. 1;

FIG. 9 is a top plan view of the guard insert of FIG. 1;

FIG. 10 is a bottom plan view of the guard insert of FIG. 1;

FIG. 11 is a top, left perspective view of another embodiment of a guard insert showing our new design;

FIG. 12 is a top, right perspective view of the guard insert of FIG. 11;

FIG. 13 is a bottom, left perspective view of the guard insert of FIG. 11;

FIG. 14 is a bottom, right perspective view of the guard insert of FIG. 11;

FIG. 15 is a front elevational view of the guard insert of FIG. 11;

FIG. 16 is a rear elevational view of the guard insert of FIG. 11;

FIG. 17 is a left side plan view of the guard insert of FIG. 11;

FIG. 18 is a right side plan view of the guard insert of FIG. 11;

FIG. 19 is a top plan view of the guard insert of FIG. 11;

FIG. 20 is a bottom plan view of the guard insert of FIG. 11;

FIG. 21 is a top, left perspective view of another embodiment of a guard insert showing our new design;

FIG. 22 is a top, right perspective view of the guard insert of FIG. 21;

FIG. 23 is a bottom, left perspective view of the guard insert of FIG. 21;

FIG. 24 is a bottom, right perspective view of the guard insert of FIG. 21;

FIG. 25 is a front elevational view of the guard insert of FIG. 21;

FIG. 26 is a rear elevational view of the guard insert of FIG. 21;

FIG. 27 is a left side plan view of the guard insert of FIG. 21;

FIG. 28 is a right side plan view of the guard insert of FIG. 21;

(Continued)

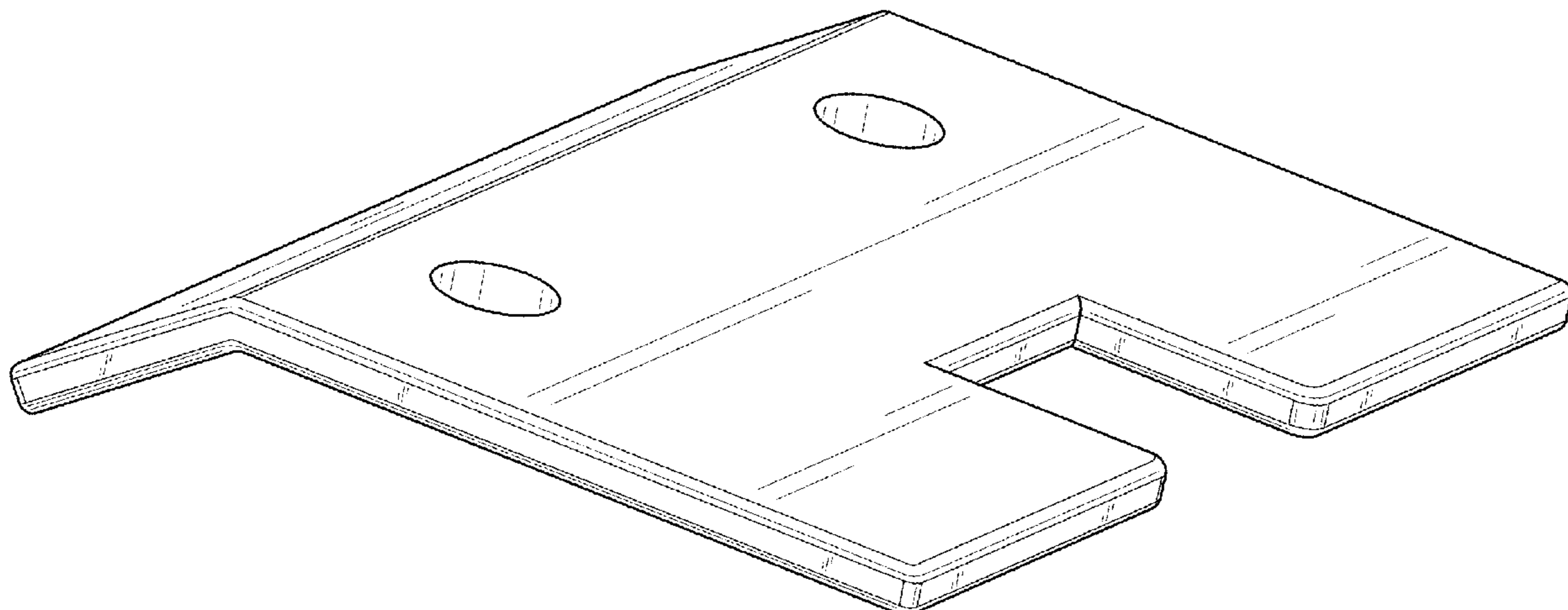


FIG. 29 is a top plan view of the guard insert of FIG. 21; and, FIG. 30 is a bottom plan view of the guard insert of FIG. 21. The broken lines having consistent dash lengths (dash-dash-dash) are shown on the guard insert in FIGS. 11-20 and FIGS. 21-30 for illustrative purposes only and form no part of the claimed design.

The broken lines having variable dash lengths (long dash—short dash—long dash) shown on the guard insert in FIGS. 11-20 and FIGS. 21-30 are boundary lines representing a boundary of the claimed design.

1 Claim, 24 Drawing Sheets

(58) **Field of Classification Search**

USPC ... 2/171, 410-414, 417, 418, 421-425, 431,
2/452, 455, 909

CPC A42B 3/00; A42B 3/18; A42B 3/20; A42B
3/32; A42B 3/324; A42B 3/322; A42B
3/04

See application file for complete search history.

(56)

References Cited

PUBLICATIONS

Non Final Rejection dated Aug. 8, 2019 by the USPTO for U.S. Appl. No. 29/649,322, filed May 29, 2018 (Inventor—Tim Proctor) (5 Pages).

U.S. Appl. No. 29/649,321, filed May 29, 2018, Tim Proctor.

U.S. Appl. No. 29/649,322, filed May 29, 2018, Tim Proctor.

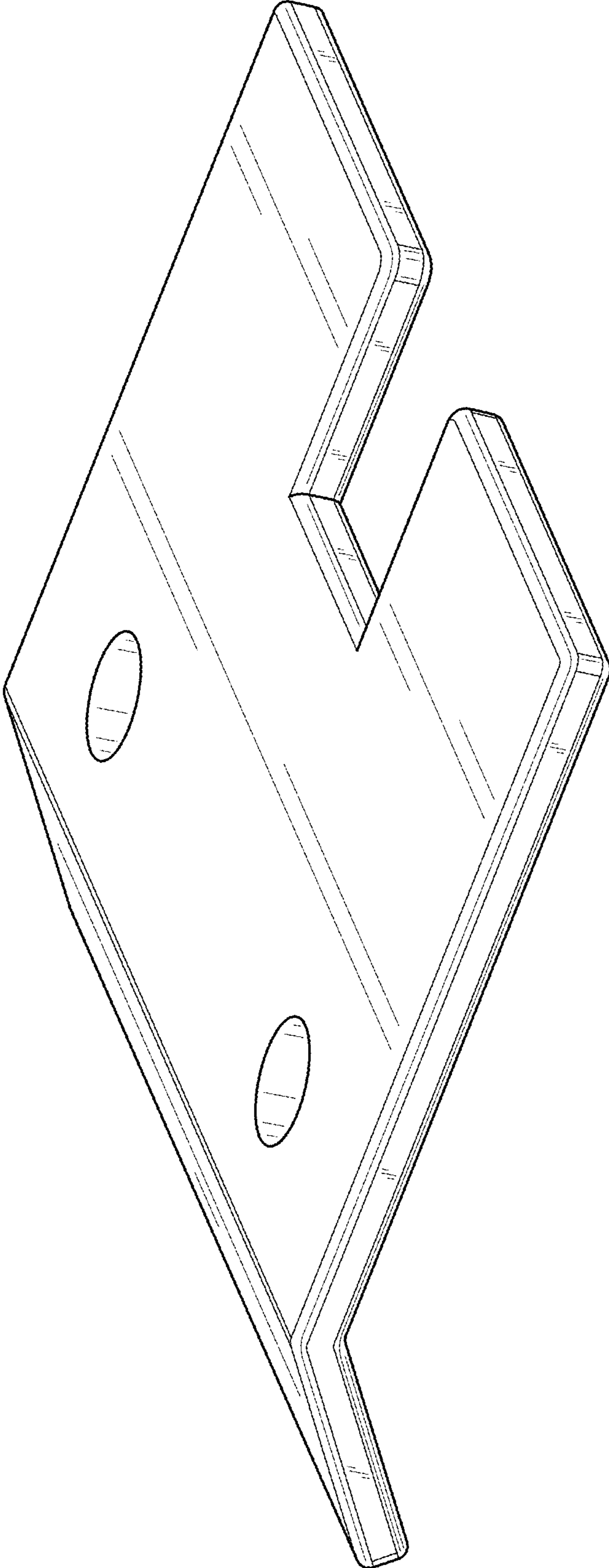


FIG. 1

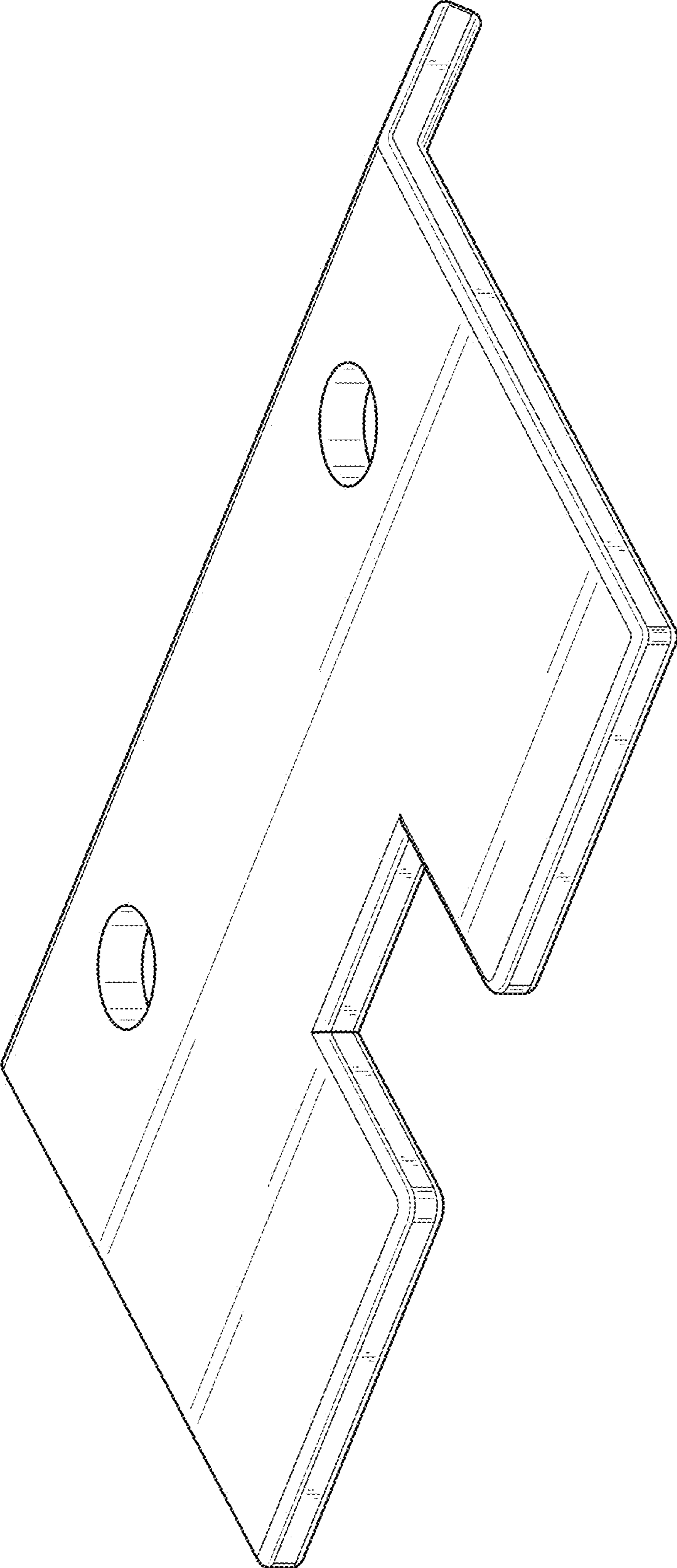


FIG. 2

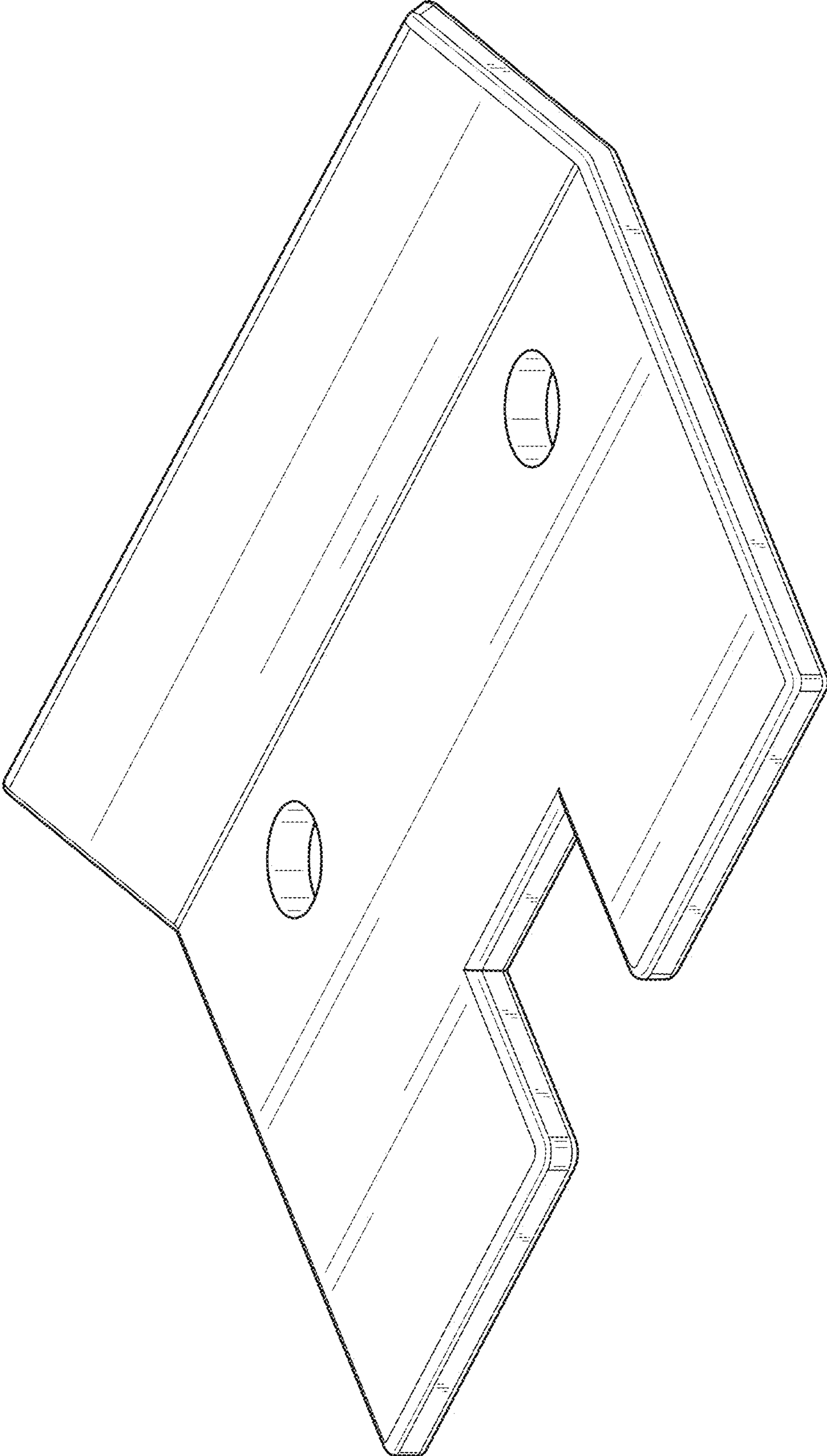


FIG. 3

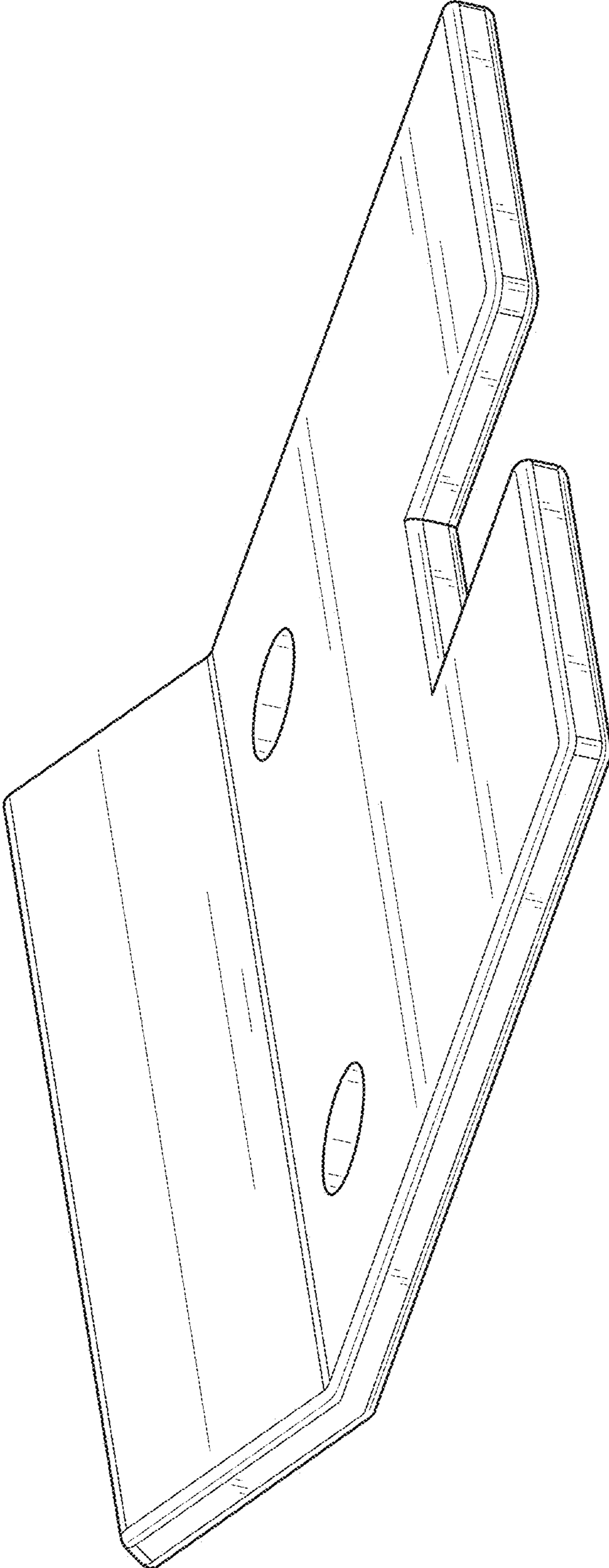


FIG. 4

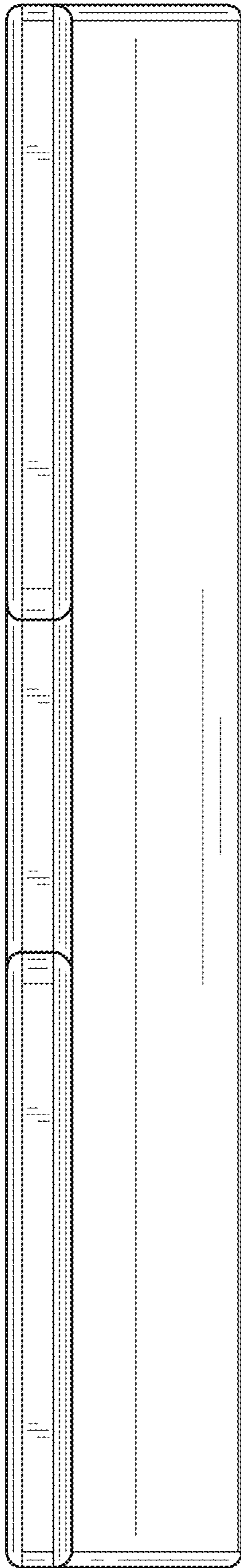


FIG. 5

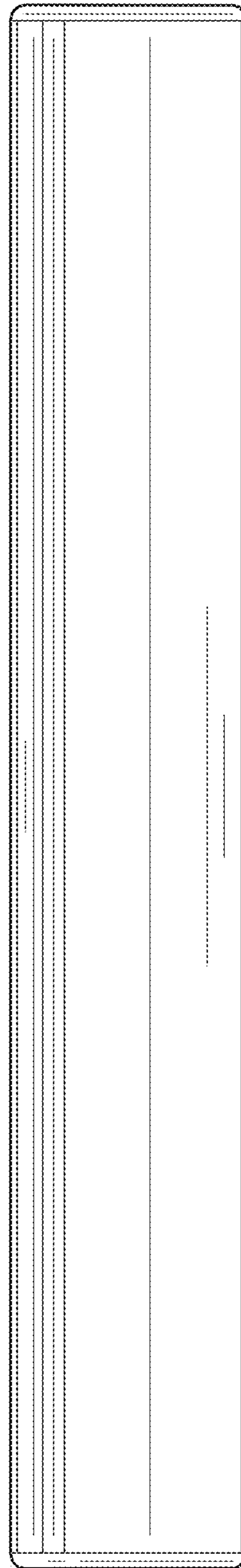


FIG. 6

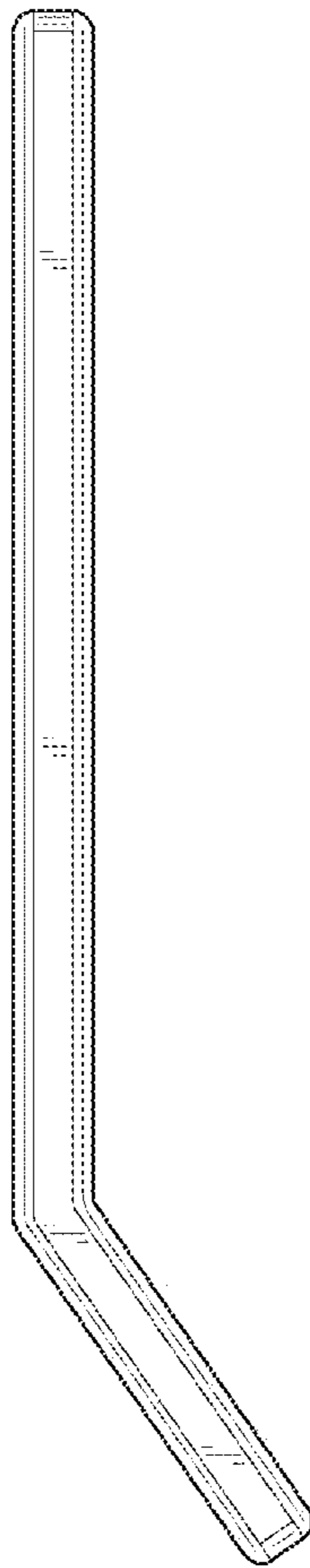


FIG. 7

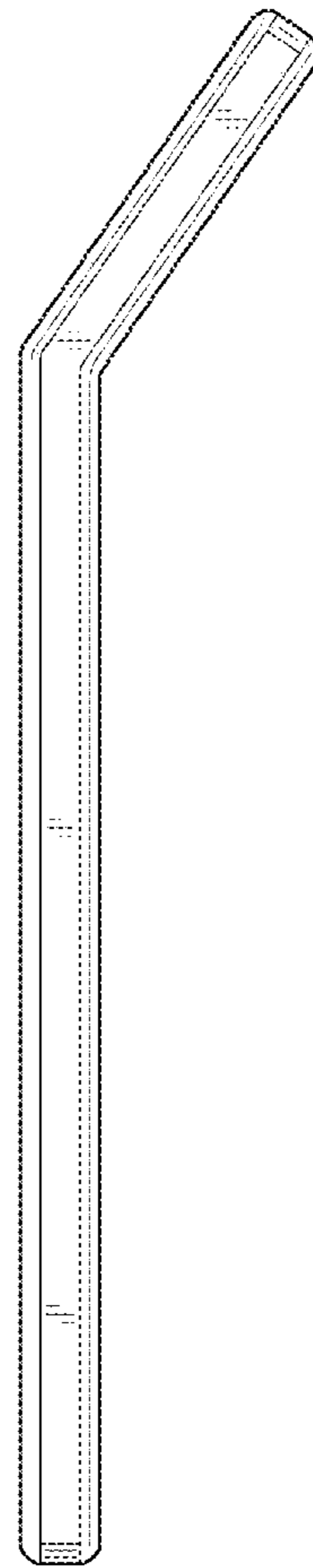


FIG. 8

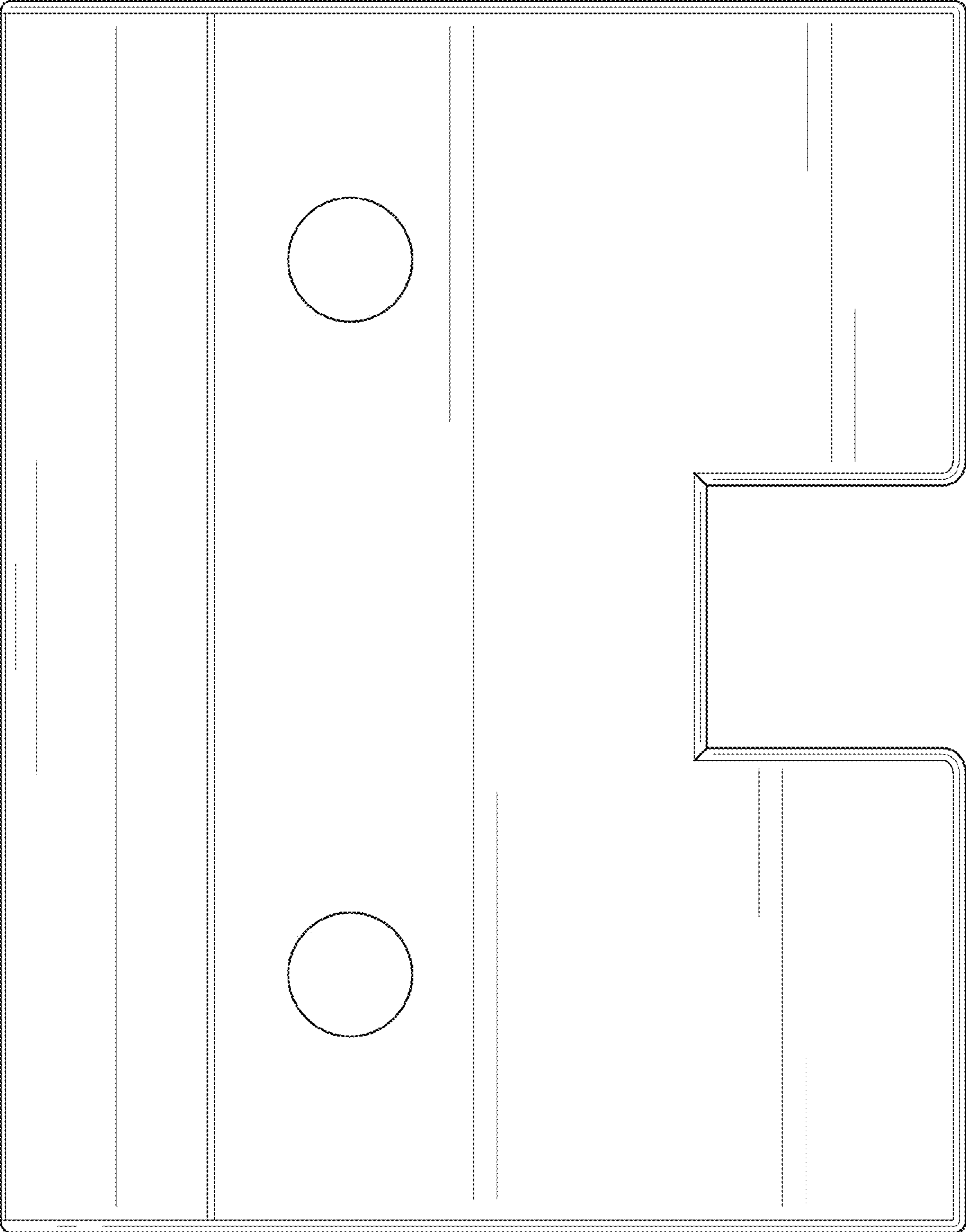


FIG. 9

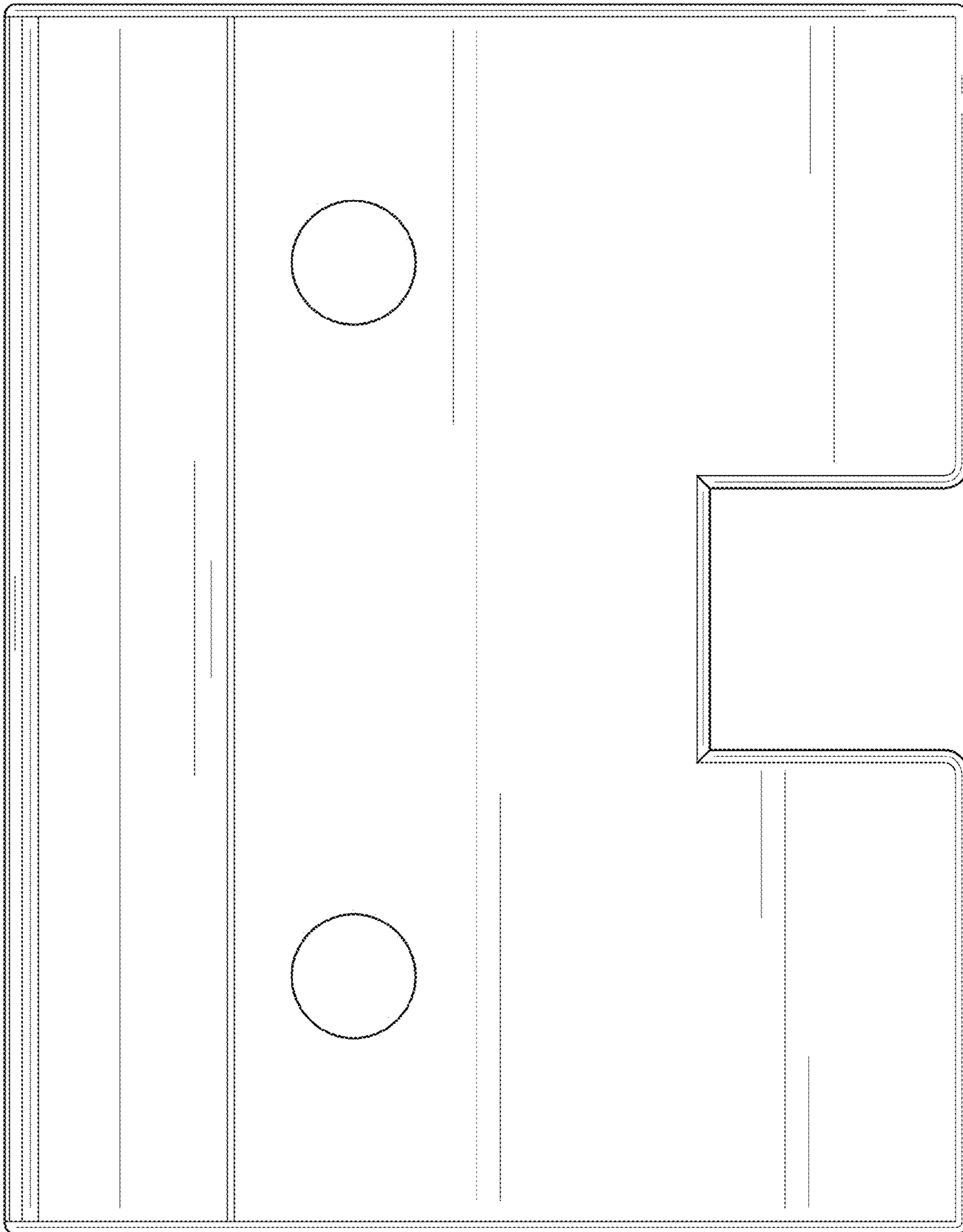


FIG. 10

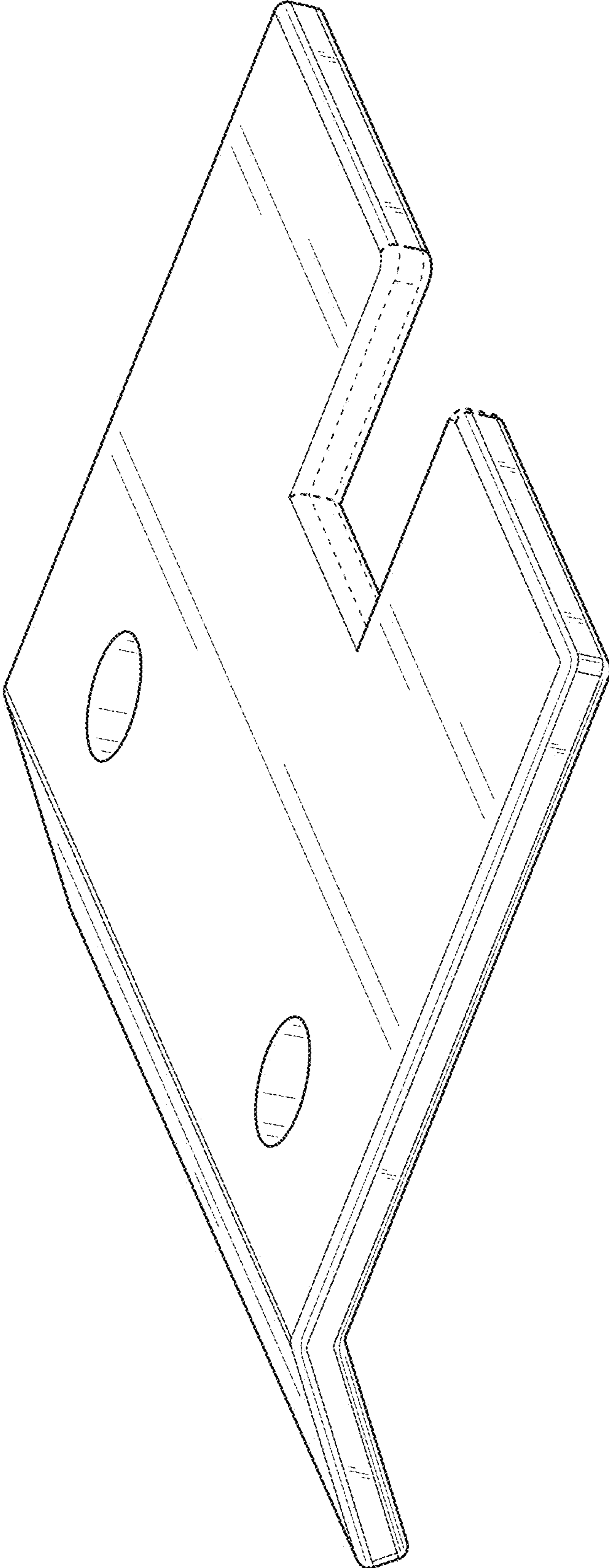


FIG. 11

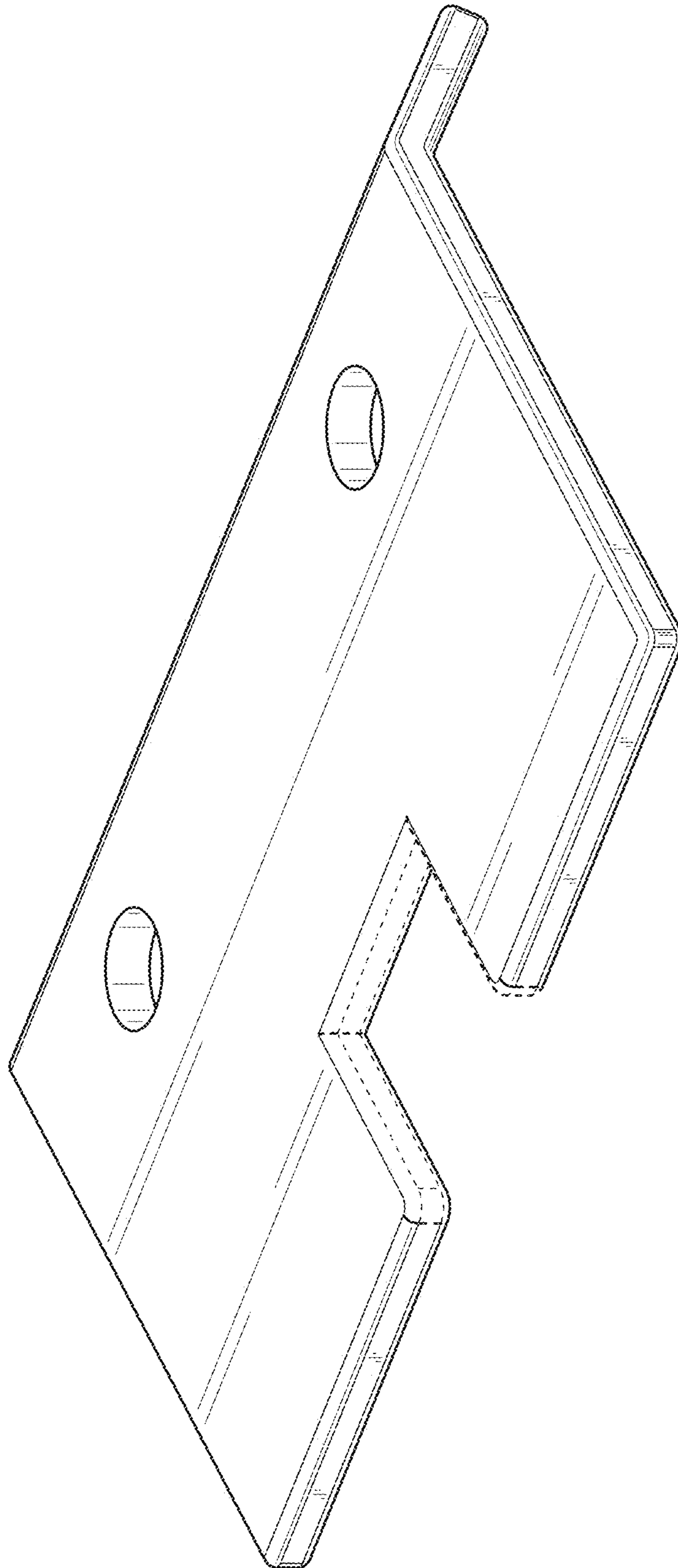


FIG. 12

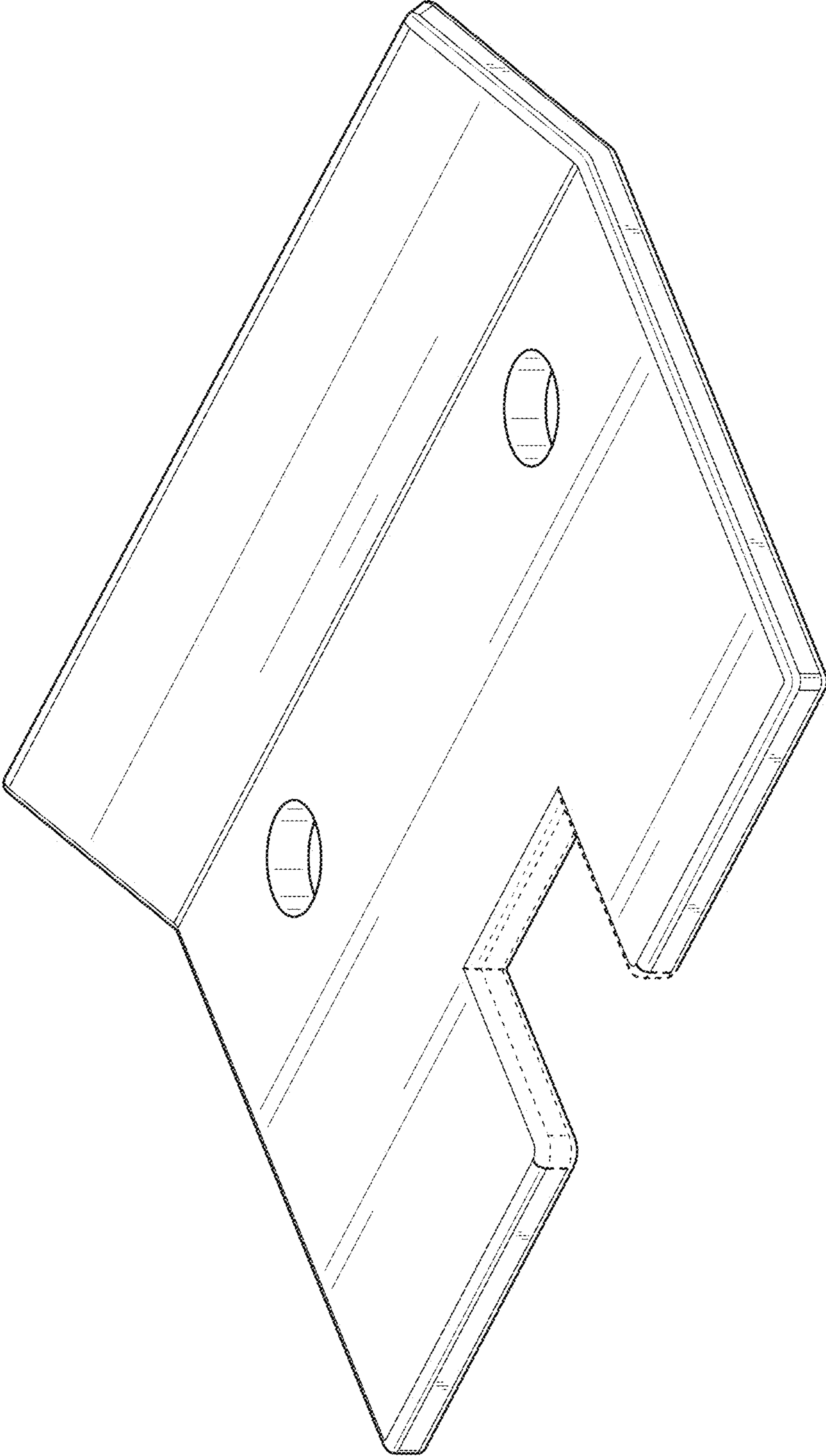


FIG. 13

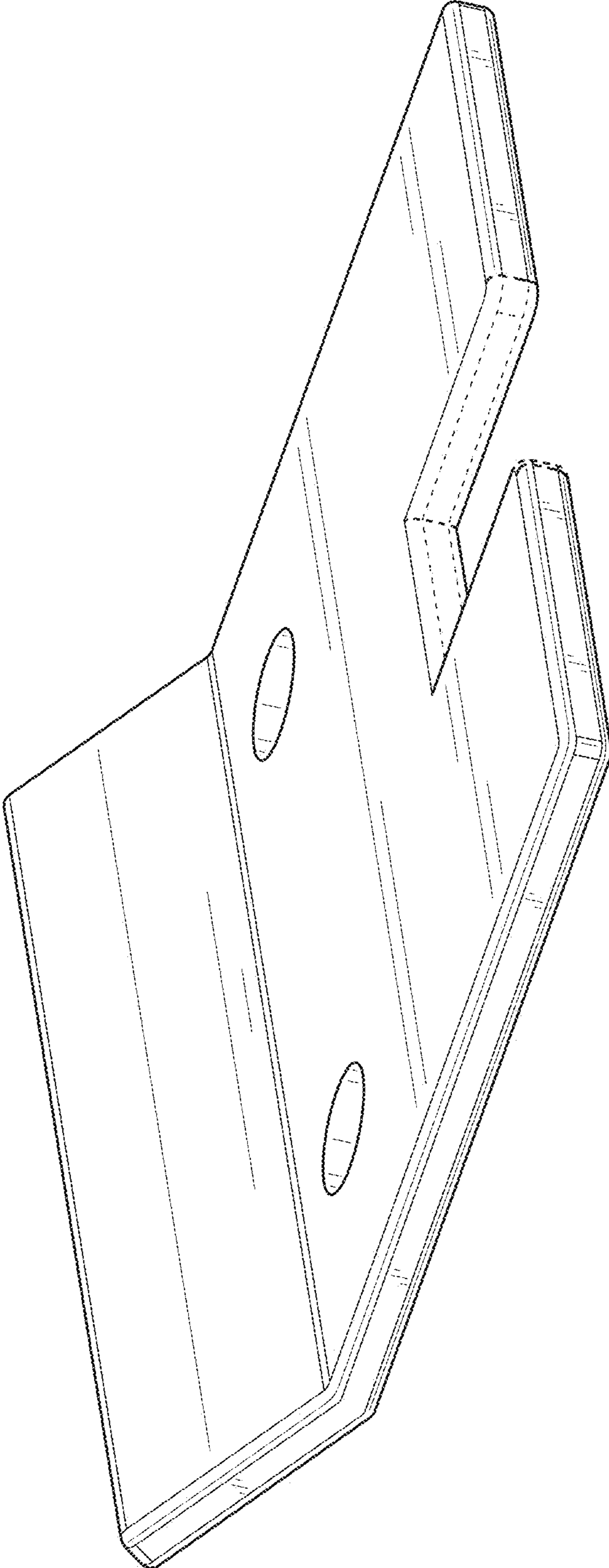


FIG. 14

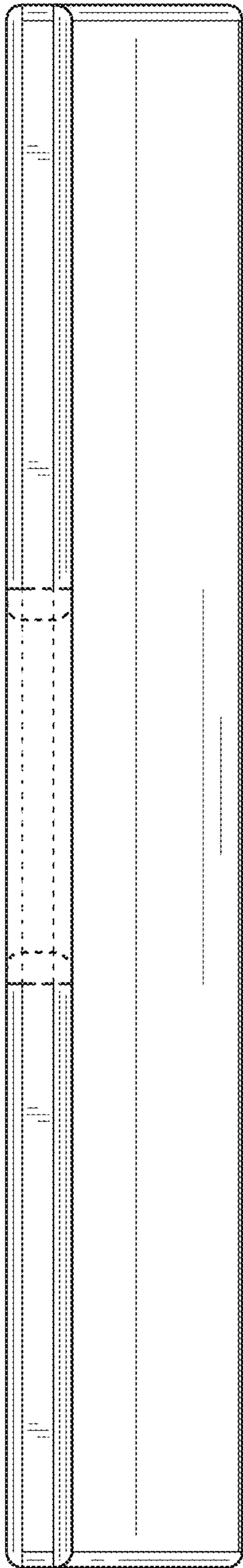


FIG. 15

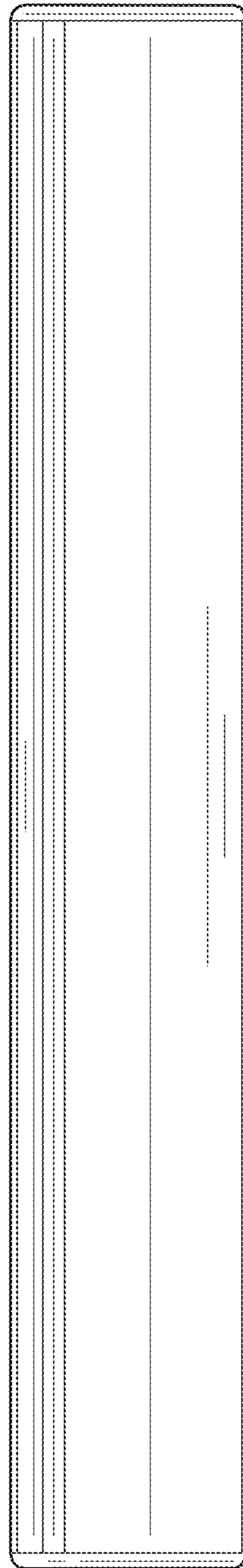


FIG. 16

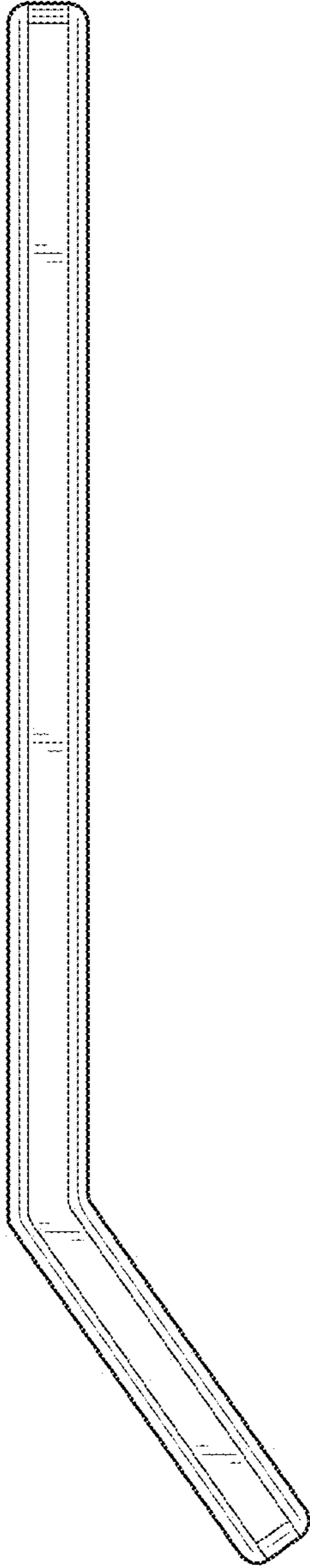


FIG. 17

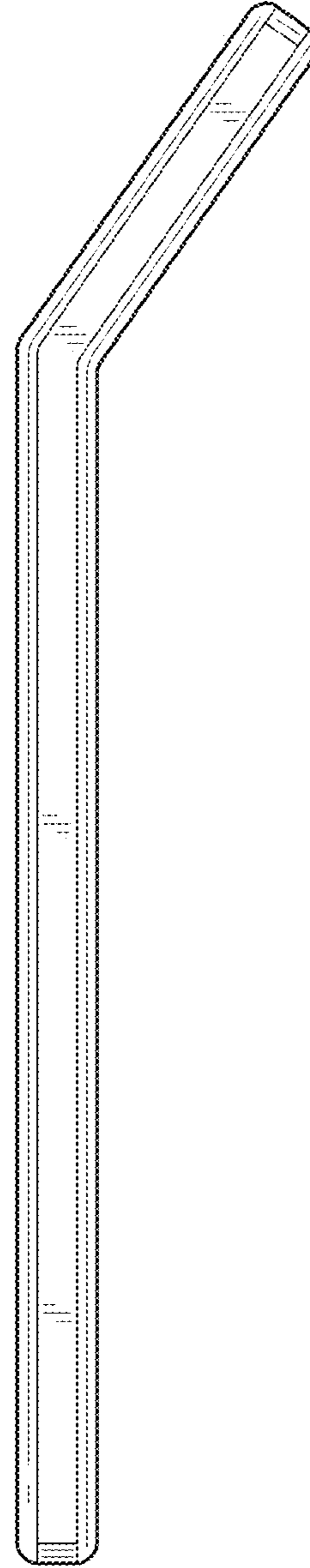


FIG. 18

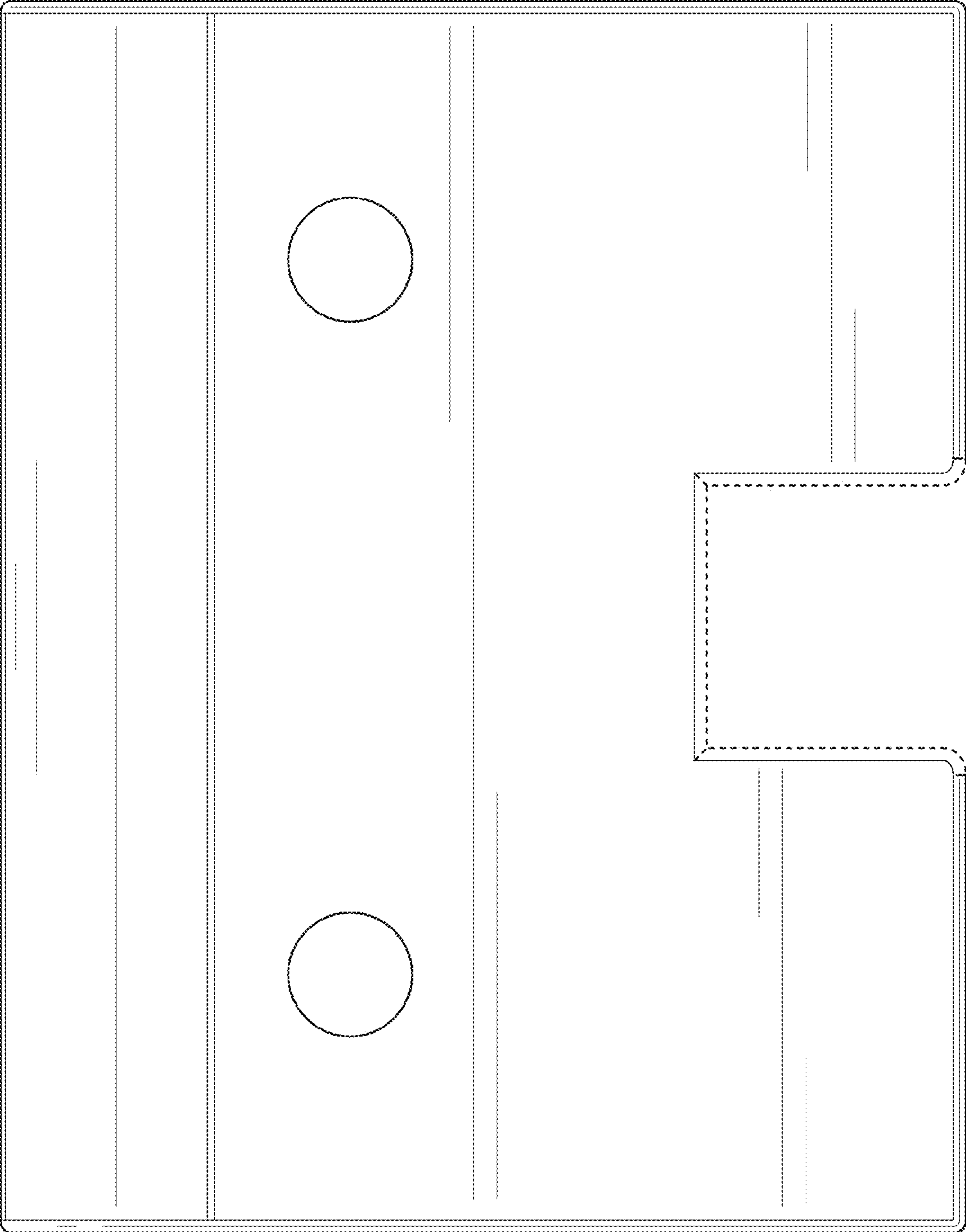


FIG. 19

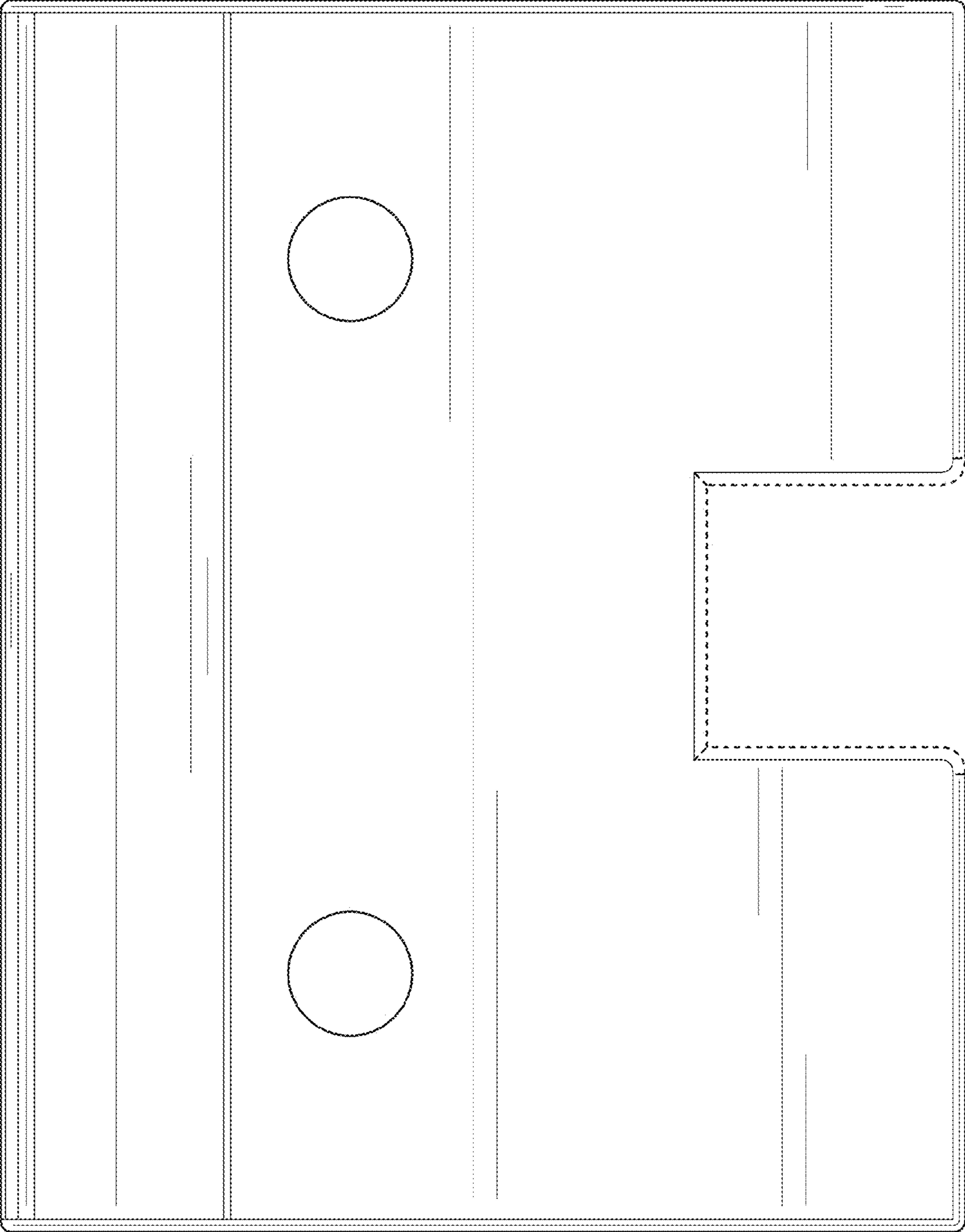


FIG. 20

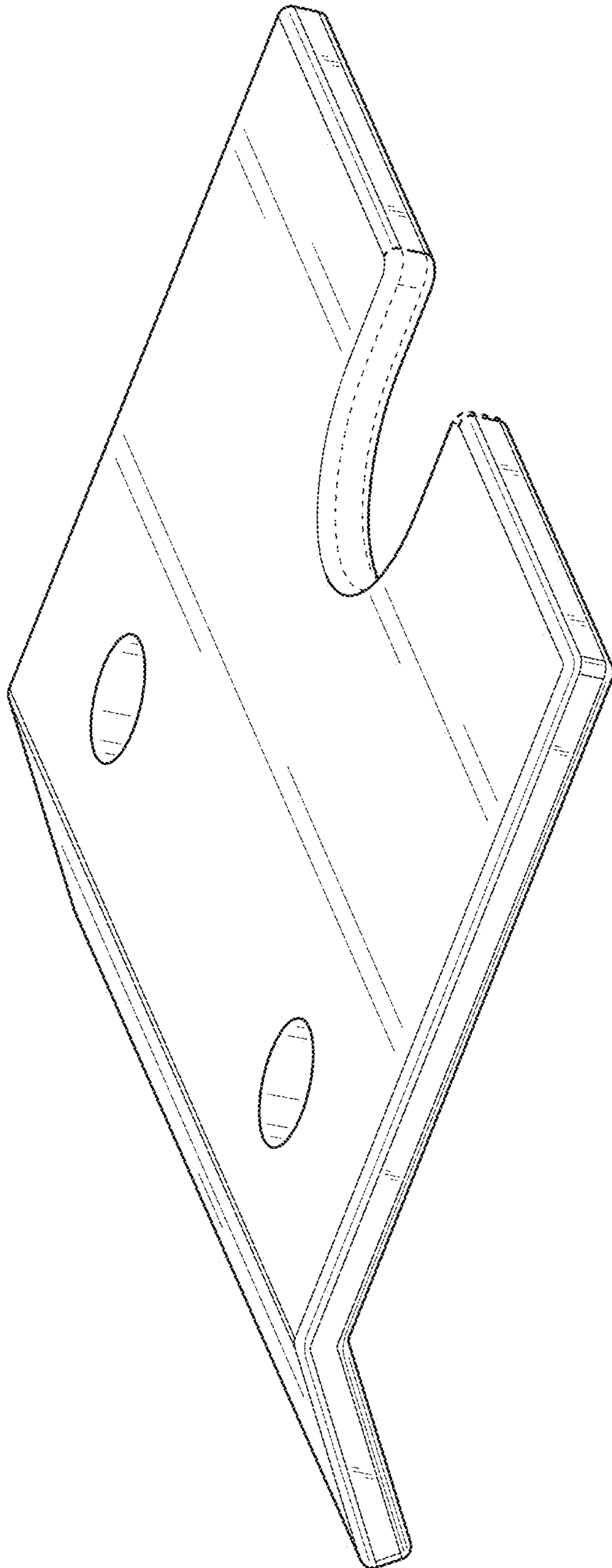


FIG. 21

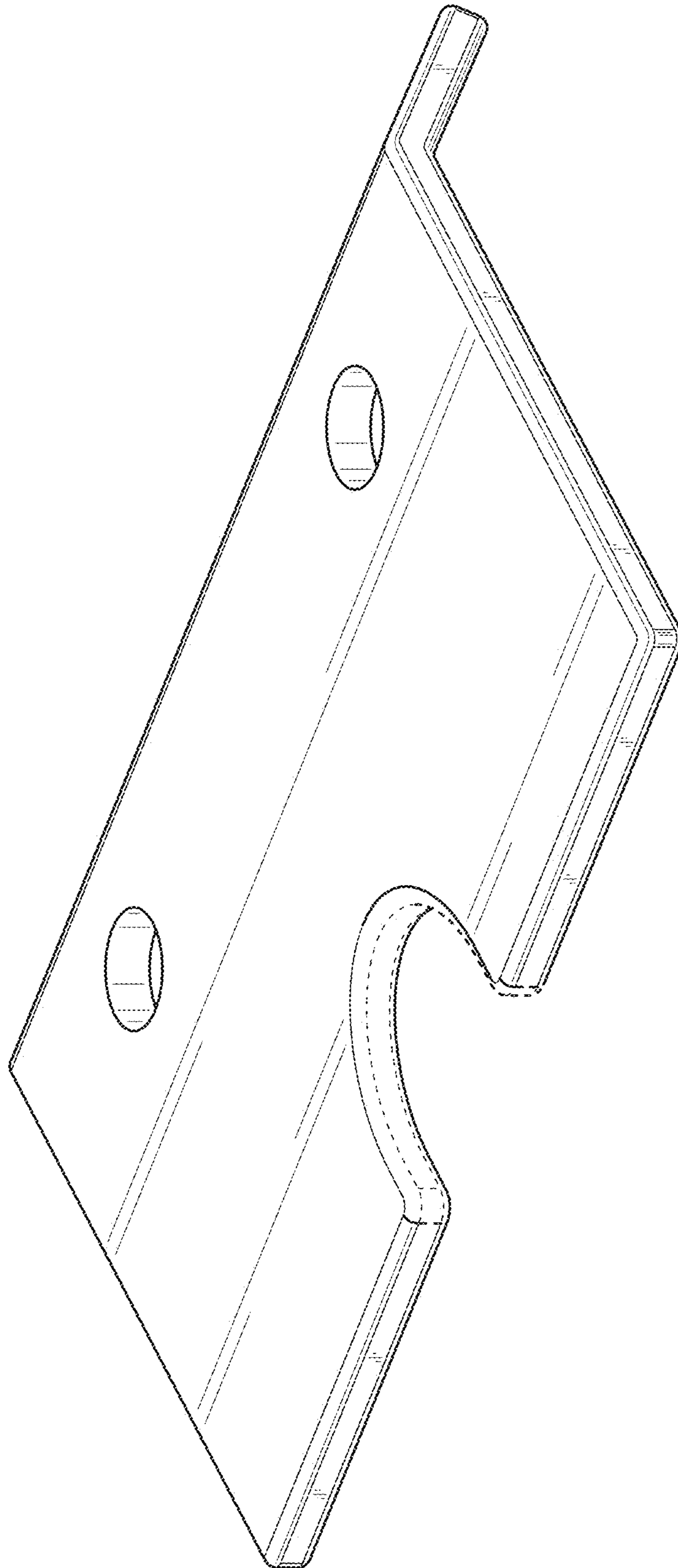


FIG. 22

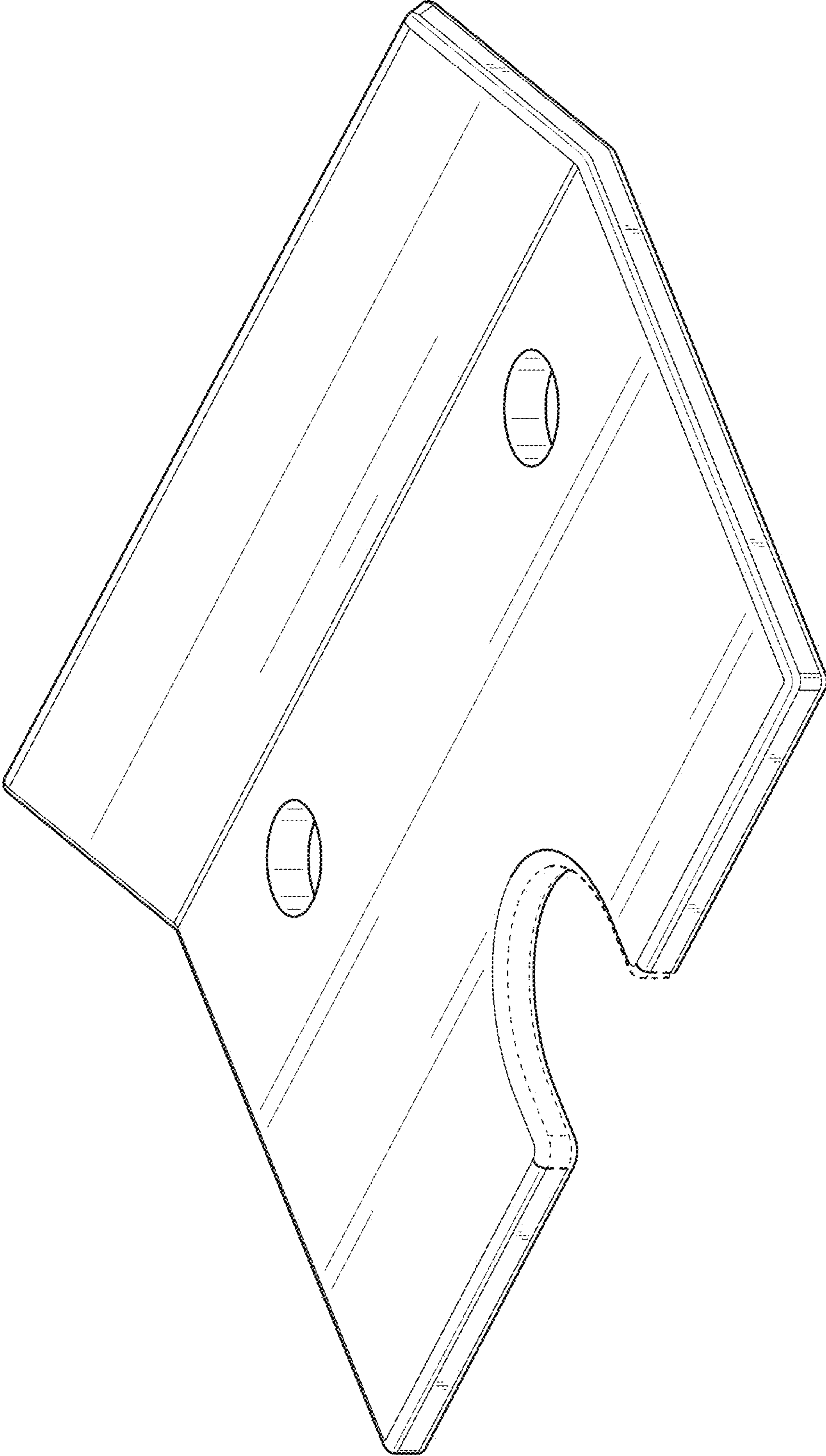


FIG. 23

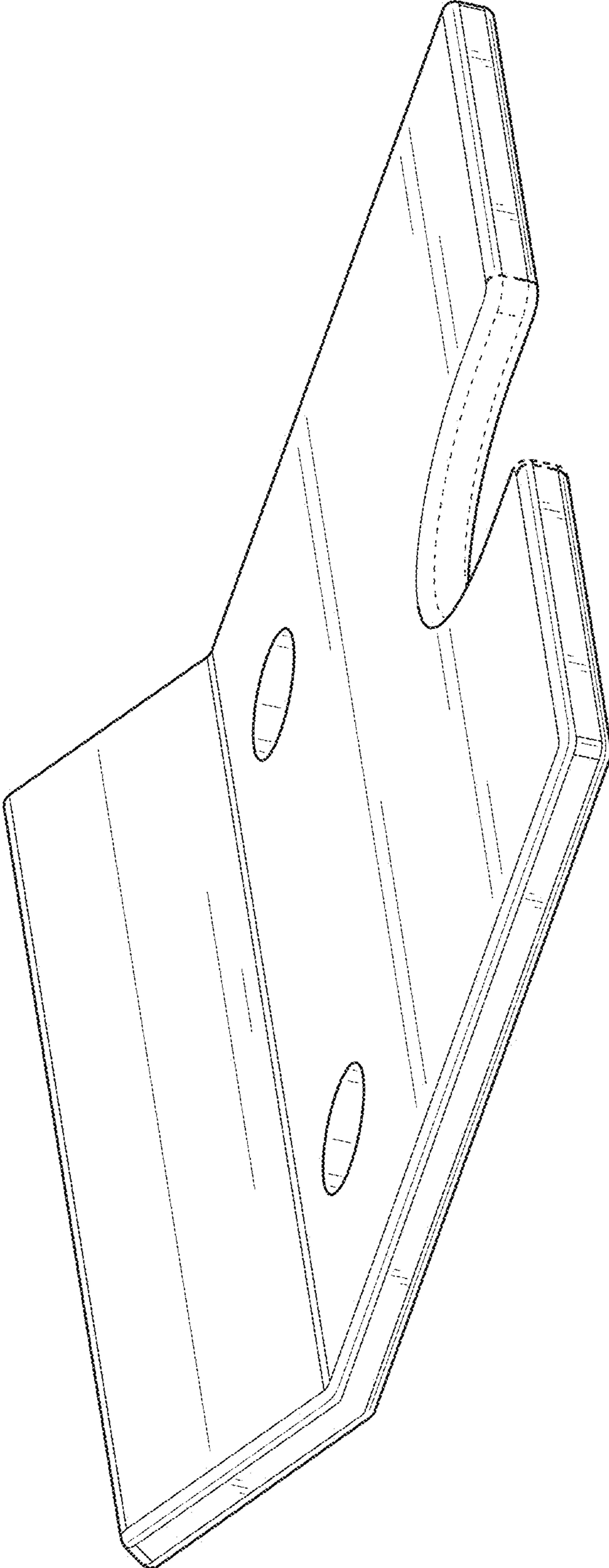


FIG. 24

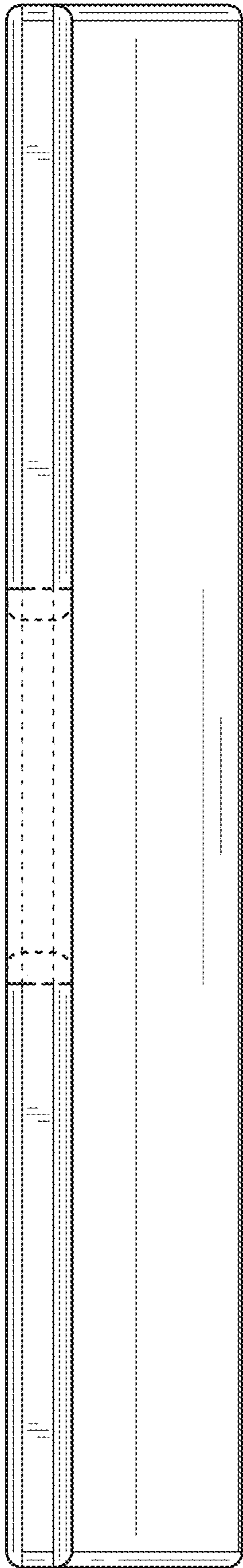


FIG. 25

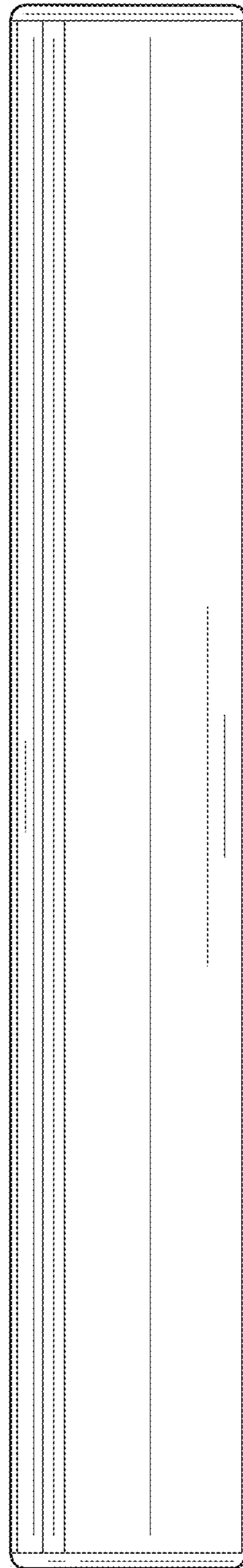


FIG. 26

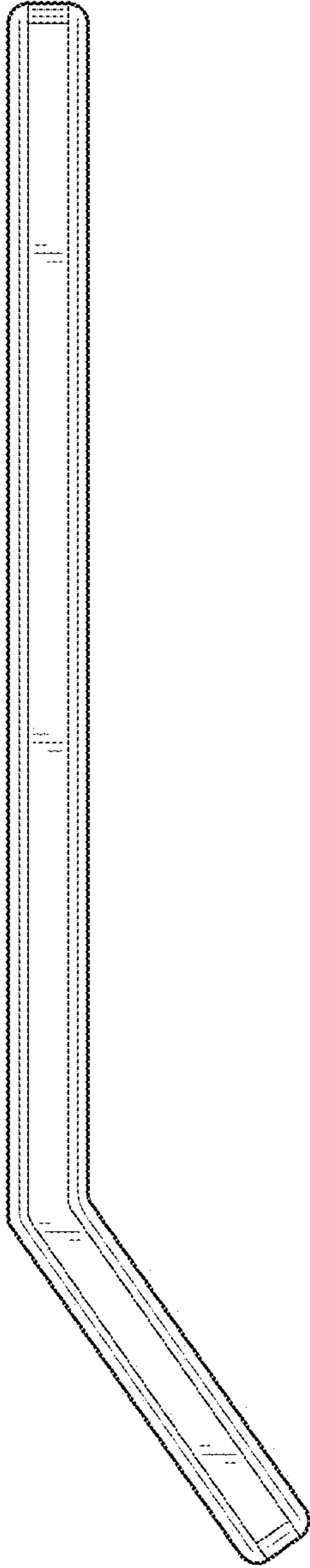


FIG. 27

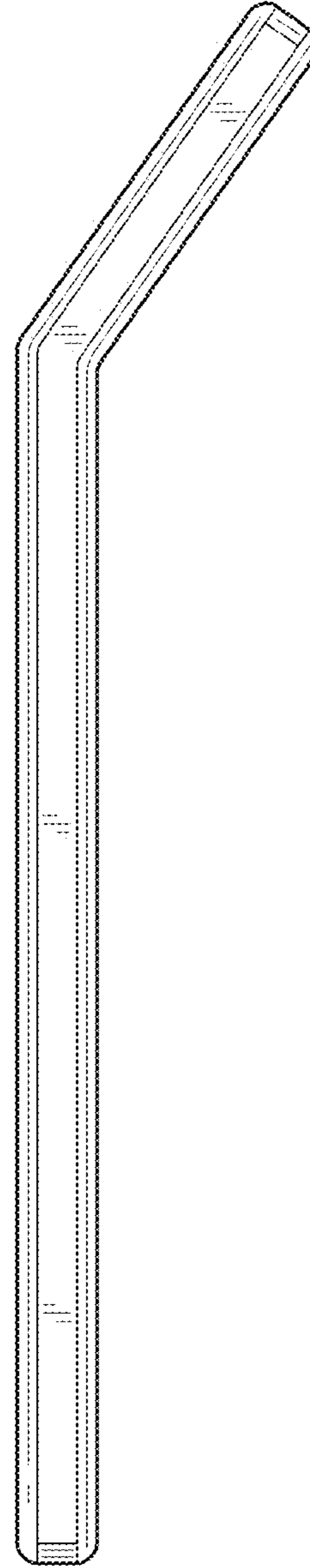


FIG. 28

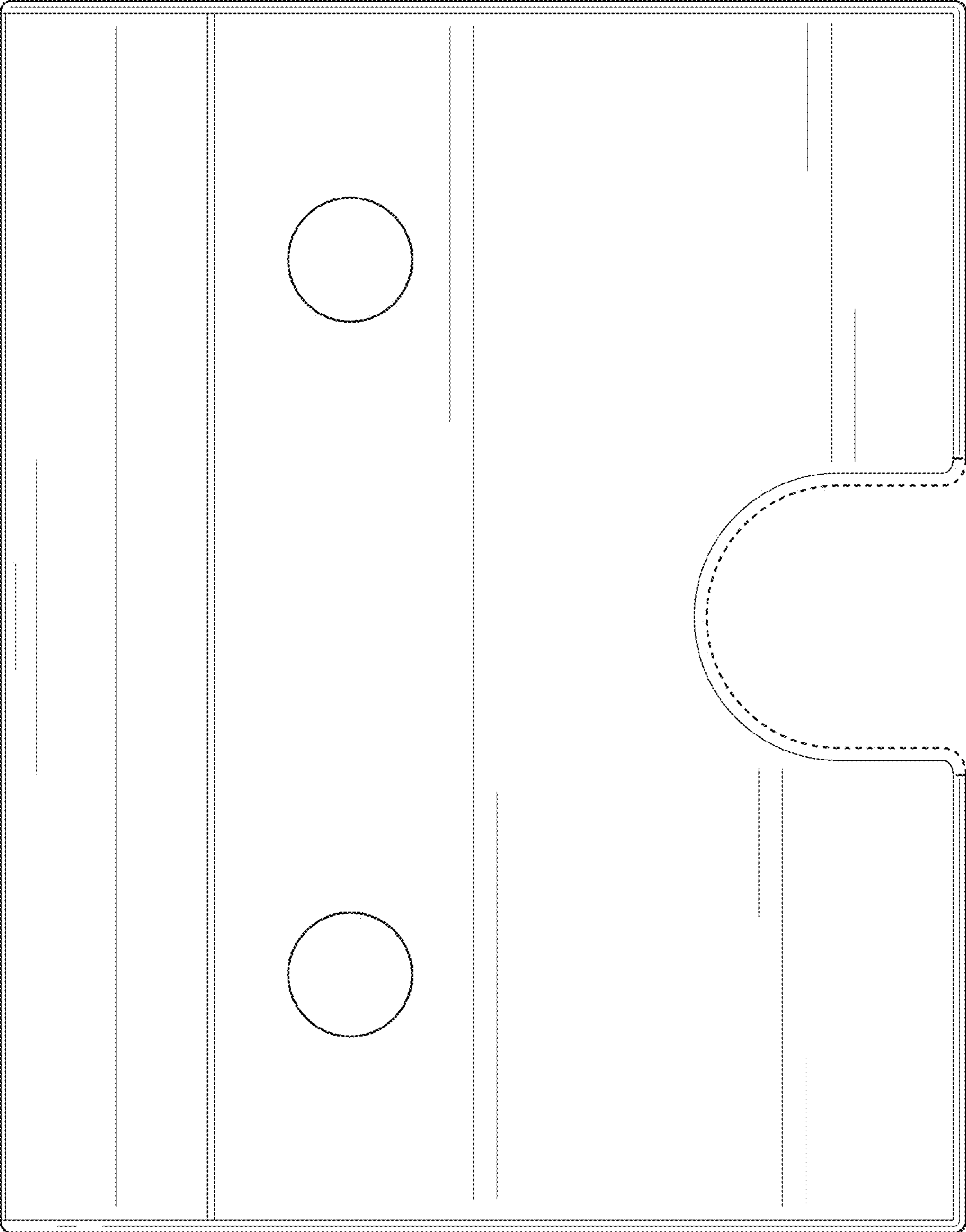


FIG. 29

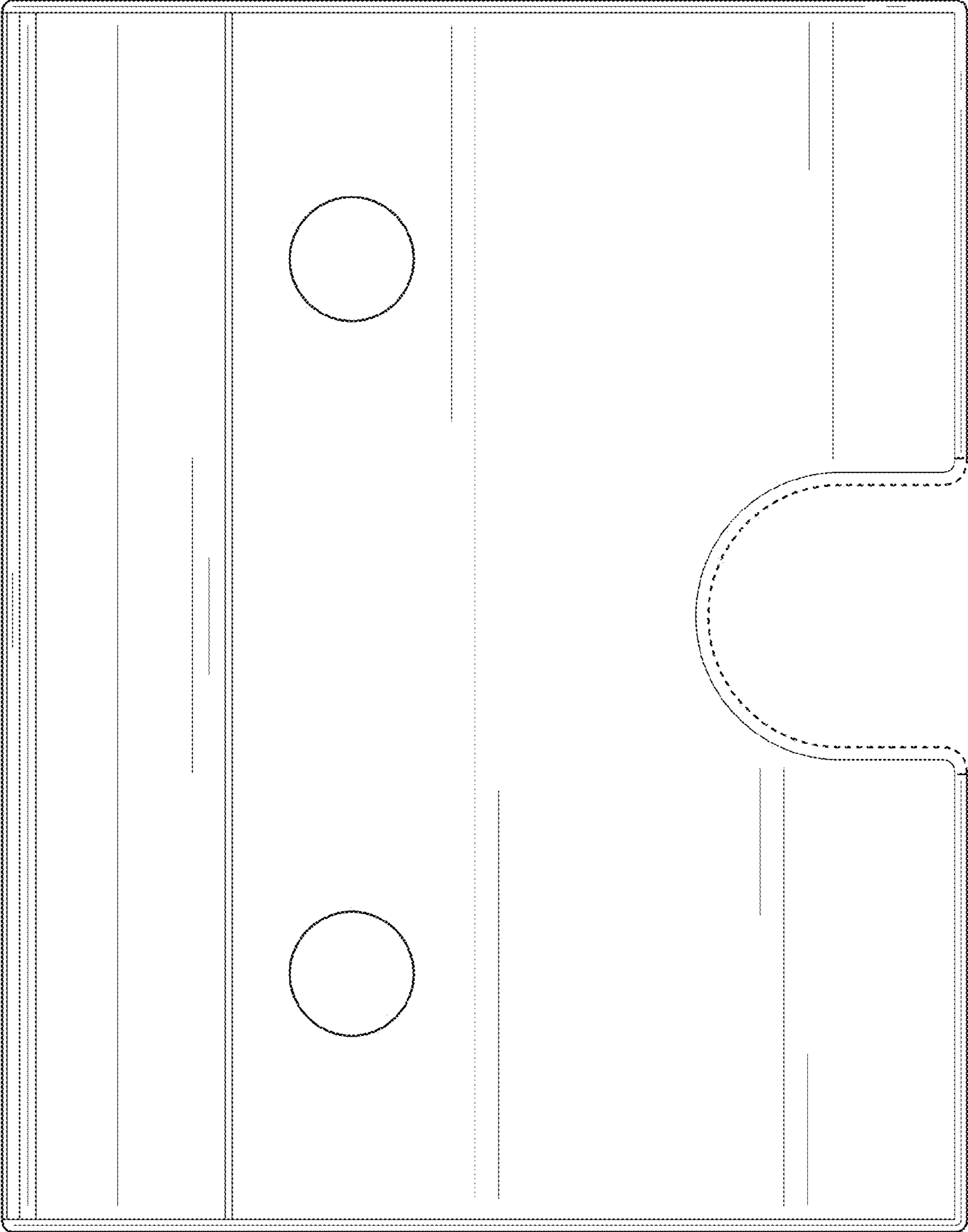


FIG. 30