



US00D880073S

(12) **United States Design Patent**  
**Groat**

(10) **Patent No.:** **US D880,073 S**

(45) **Date of Patent:** **\*\* Mar. 31, 2020**

(54) **PROTECTIVE VEST**

(71) Applicant: **SAFE LIFE DEFENSE, LLC**, Las Vegas, NV (US)

(72) Inventor: **Nick Groat**, Las Vegas, NV (US)

(73) Assignee: **SAFE LIFE DEFENSE, LLC**, Las Vegas, NV (US)

(\*\*) Term: **15 Years**

(21) Appl. No.: **29/644,690**

(22) Filed: **Apr. 19, 2018**

(51) **LOC (12) Cl.** ..... **29-02**

(52) **U.S. Cl.**  
USPC ..... **D29/101.4**

(58) **Field of Classification Search**  
USPC ..... D29/100, 101, 101.2, 101.3, 101.4, 122, D29/124; D2/626, 829, 830, 860; 362/108; D21/805; 441/88, 106, 108, 441/111, 117; 182/3; 2/48, 51, 92, 102, 2/103, 105, 913, 914, 915  
CPC ..... A41D 1/00; A45F 3/00  
See application file for complete search history.

(56) **References Cited**

**U.S. PATENT DOCUMENTS**

7,047,570 B2 *	5/2006	Johnson	.....	F41H 1/02 2/102
8,418,265 B1 *	4/2013	Storms, Jr.	.....	F41H 1/02 2/102
D808,594 S *	1/2018	Tien	.....	D29/101.4
D824,110 S *	7/2018	Stevens	.....	D29/101.4

\* cited by examiner

*Primary Examiner* — Randall H Gholson

(74) *Attorney, Agent, or Firm* — Howard & Howard Attorneys PLLC

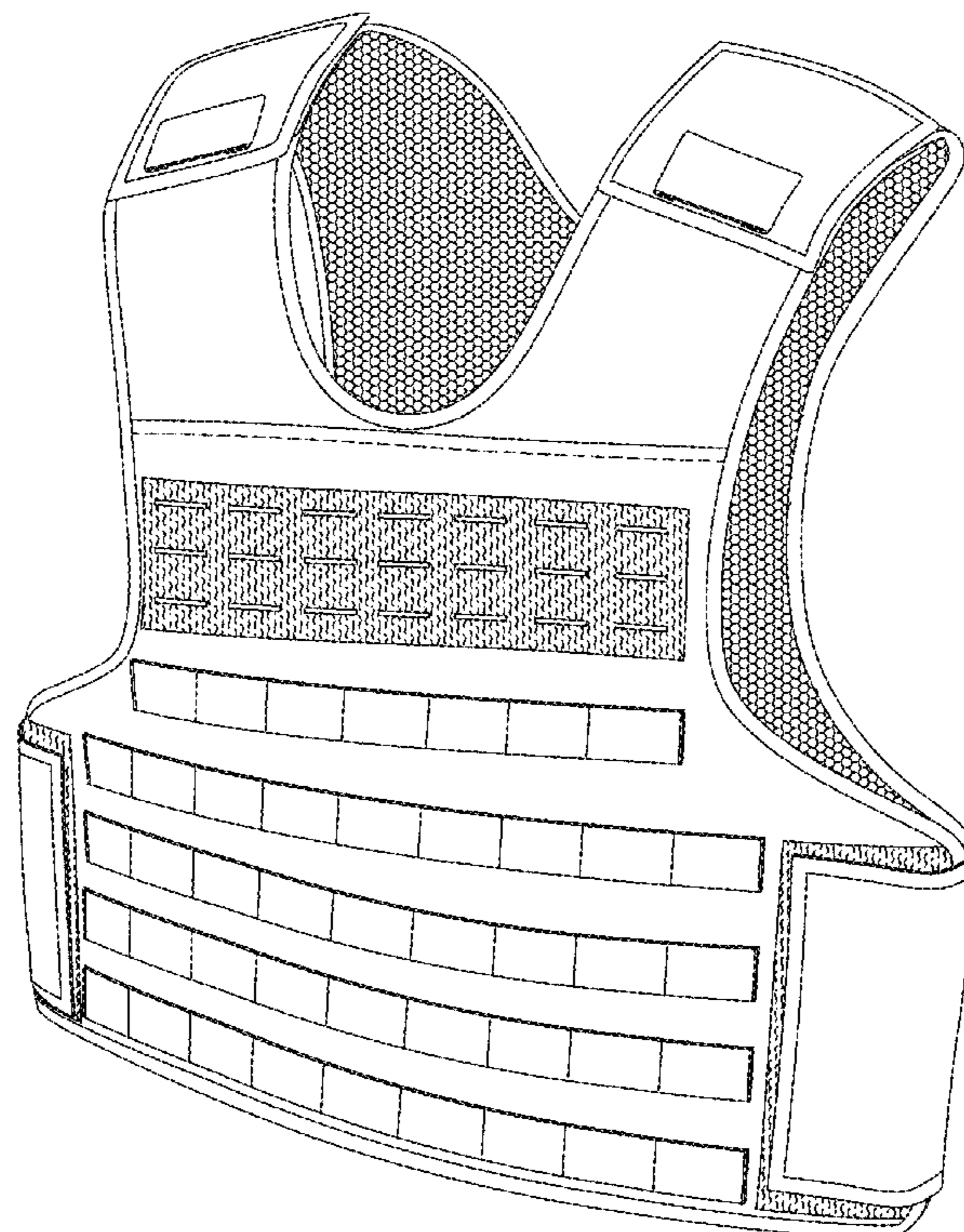
(57) **CLAIM**

I claim the ornamental design for a protective vest, as shown and described herein.

**DESCRIPTION**

FIG. 1 is a perspective view of an embodiment of the ornamental design of a protective vest;  
FIG. 2 is a front view of the protective vest shown in FIG. 1;  
FIG. 3 is a rear view of the protective vest shown in FIG. 1;  
FIG. 4 is a left side view of the protective vest shown in FIG. 1;  
FIG. 5 is a right side view of the protective vest shown in FIG. 1;  
FIG. 6 is a top view of the protective vest shown in FIG. 1; and,  
FIG. 7 is a bottom view of the protective vest shown in FIG. 1.  
The broken lines shown in the FIGS. are of the remainder of the protective vest, provided for illustrative and environmental purposes only and form no part of the claimed design.

**1 Claim, 7 Drawing Sheets**



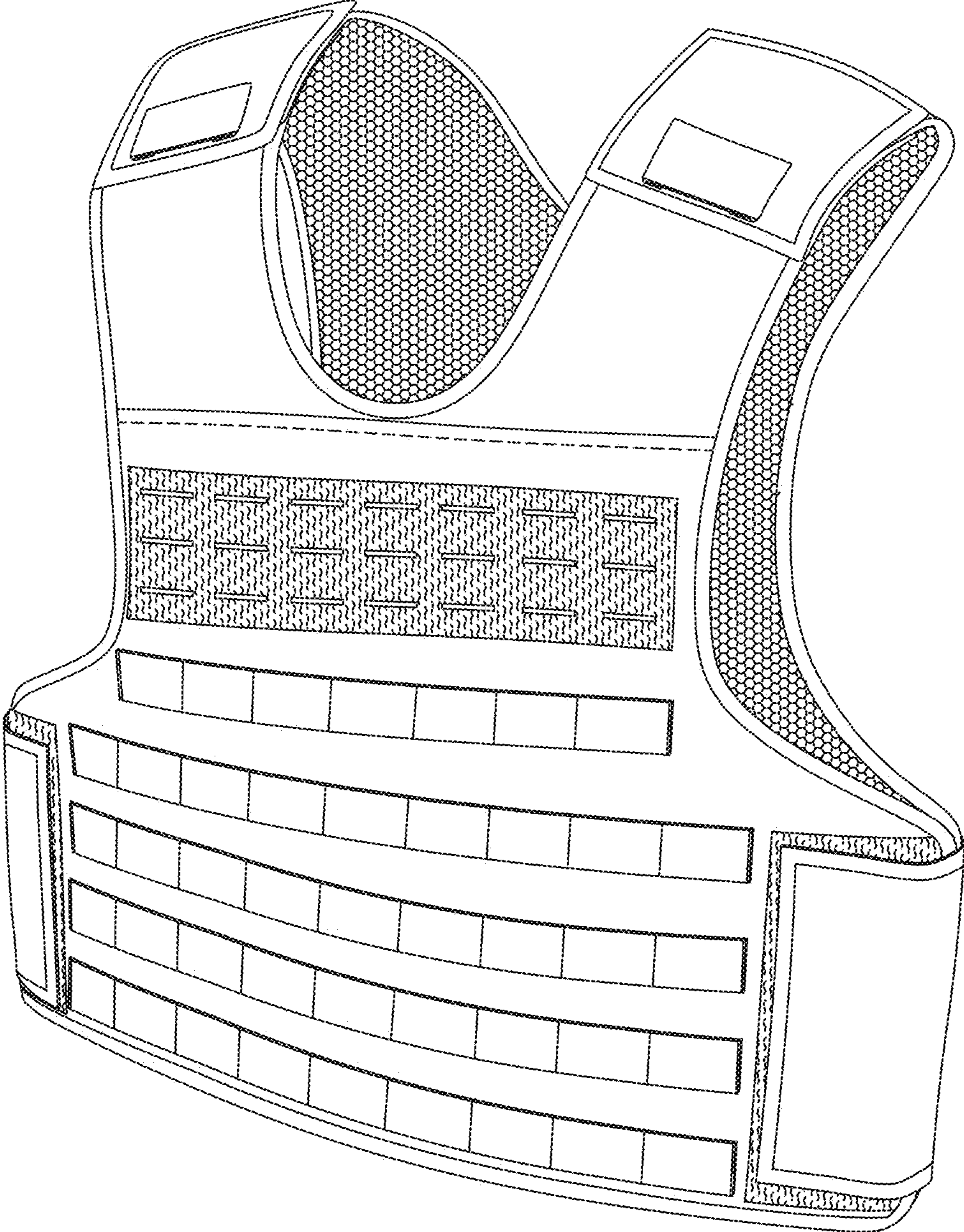


FIG. 1

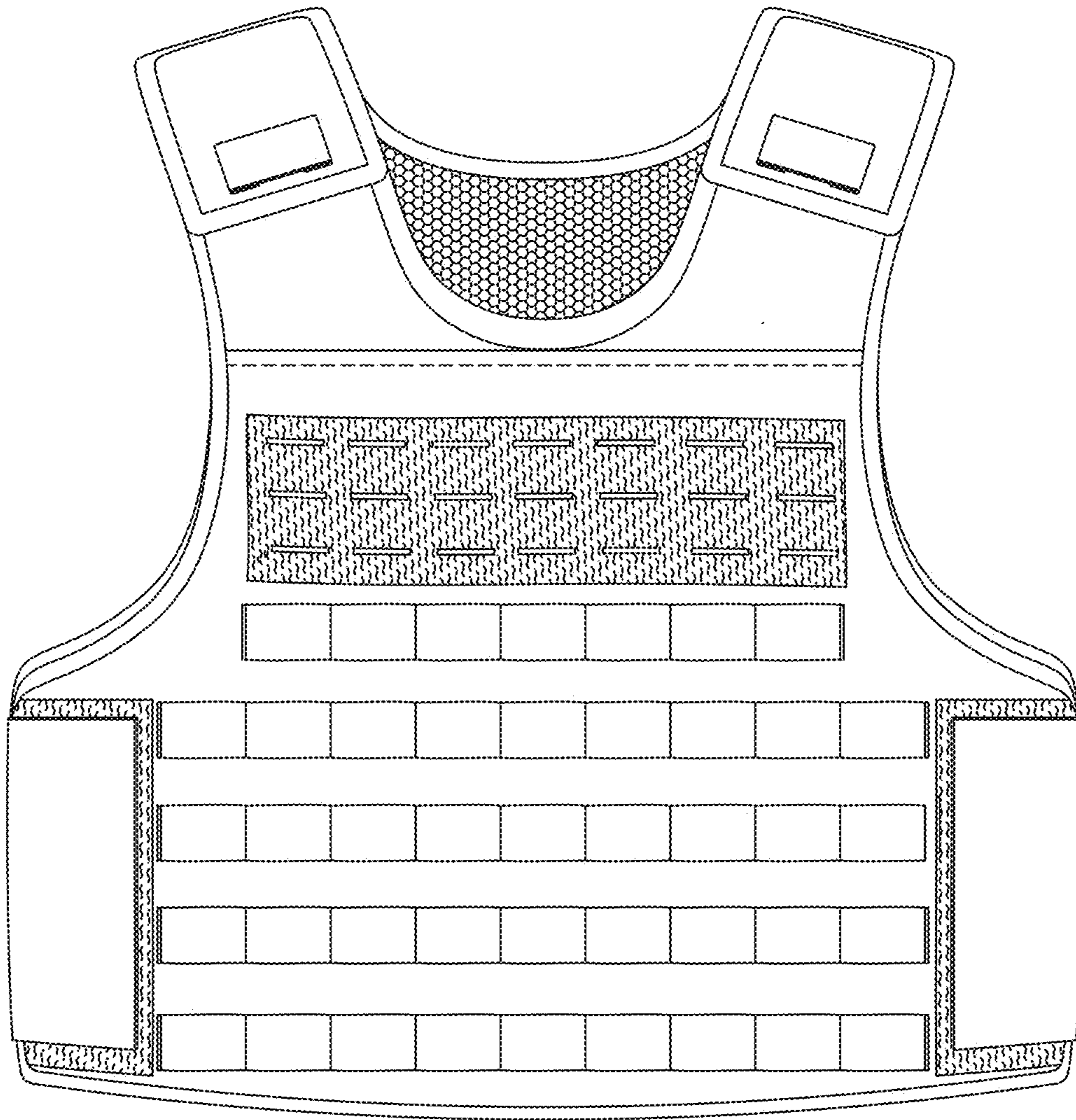


FIG. 2

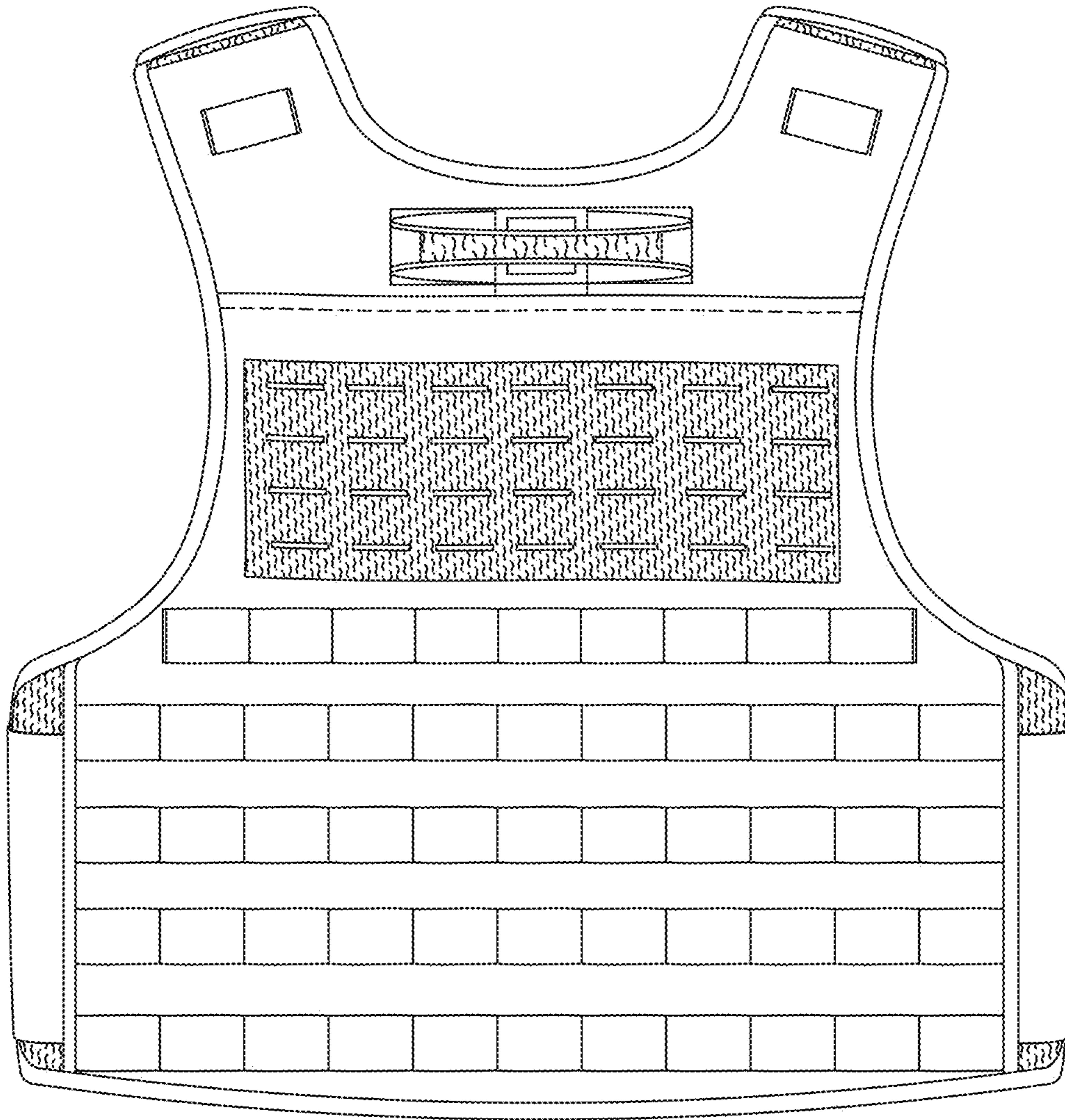


FIG. 3

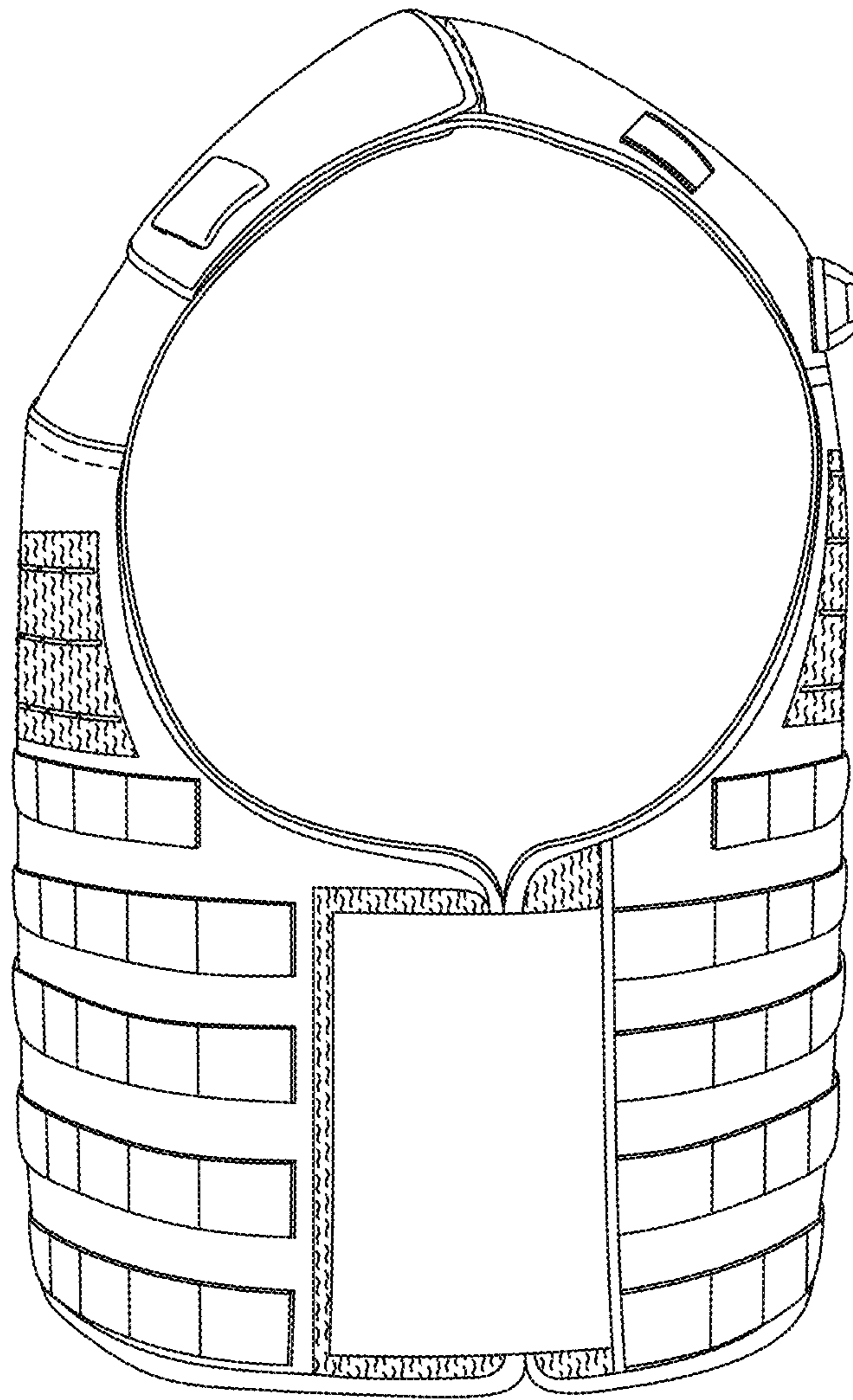


FIG. 4

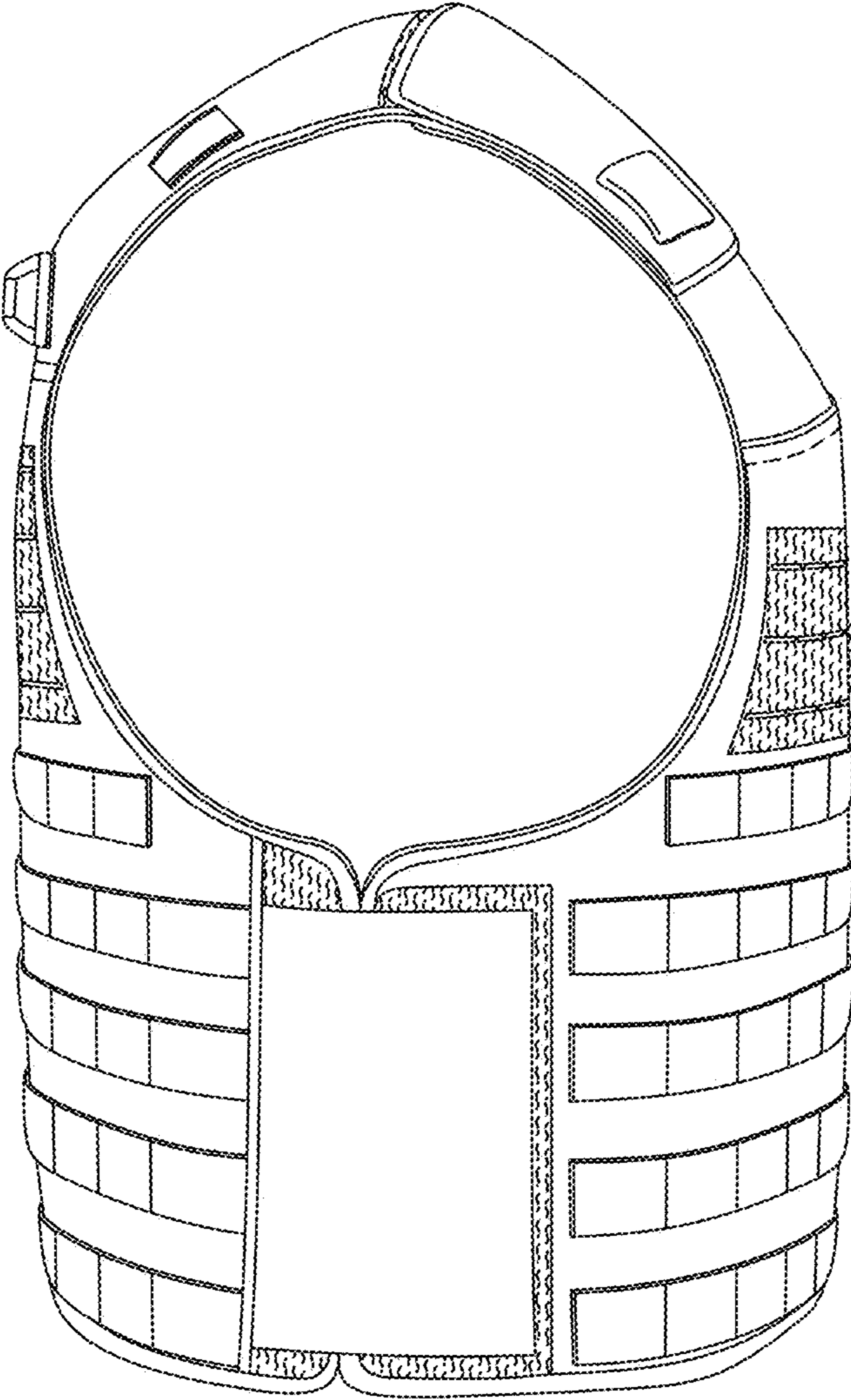


FIG. 5

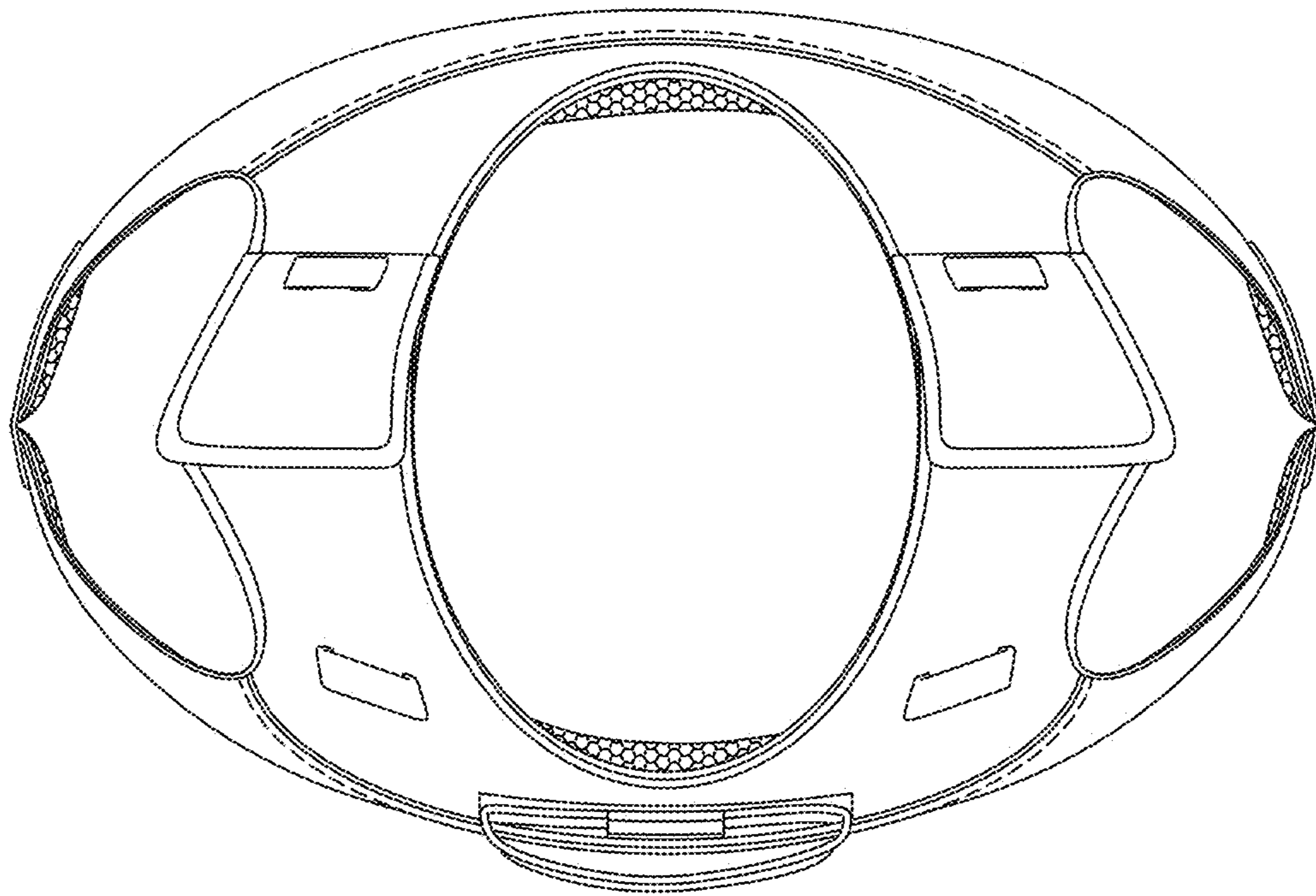


FIG. 6

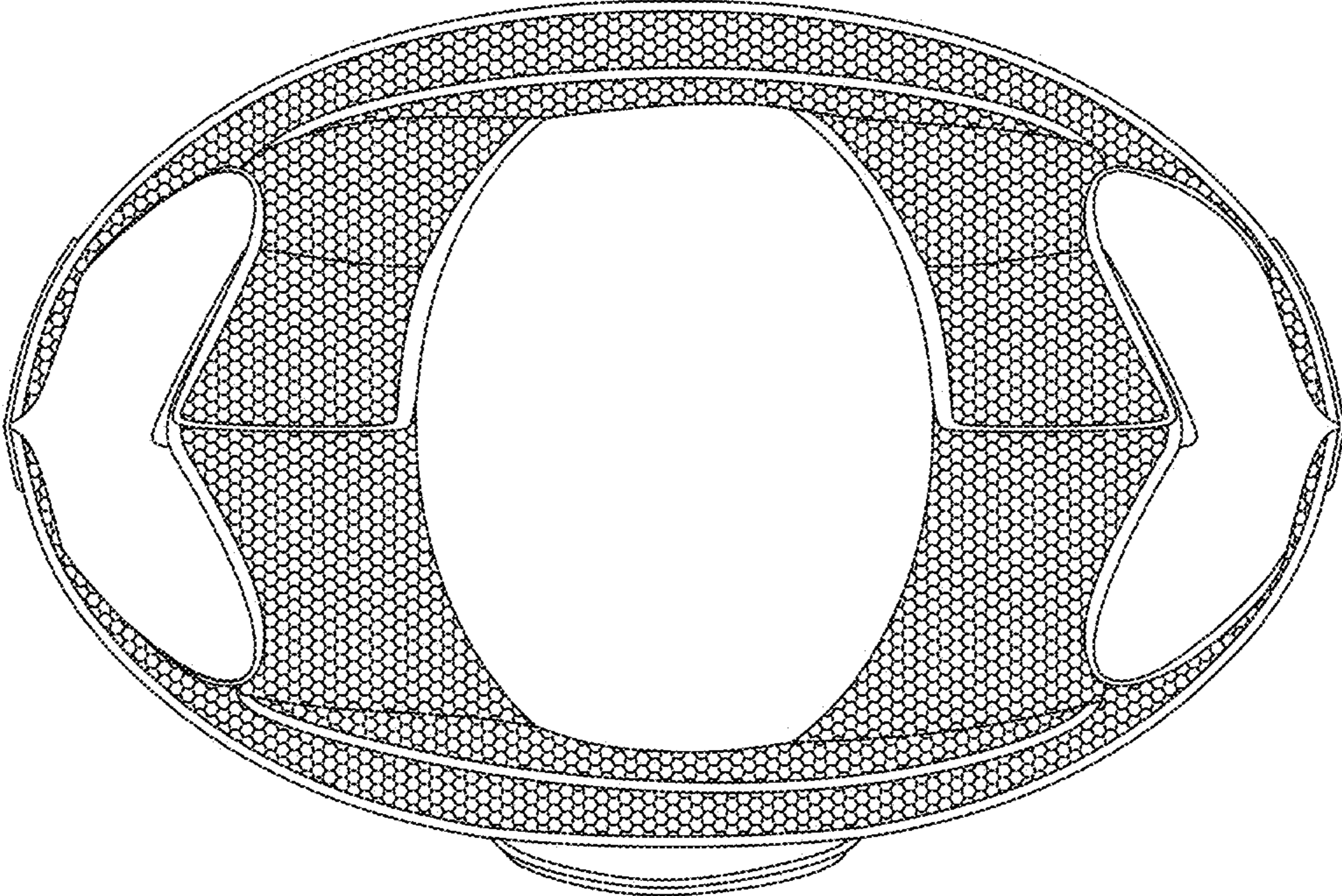


FIG. 7