



US00D880070S

(12) **United States Design Patent** (10) **Patent No.:** **US D880,070 S**
Kaiser (45) **Date of Patent:** **** Mar. 31, 2020**

(54) **COSMETICS CASE**
(71) Applicant: **Erik A. Kaiser**, Mendham, NJ (US)
(72) Inventor: **Erik A. Kaiser**, Mendham, NJ (US)
(**) Term: **15 Years**

2010/0294790 A1* 11/2010 Lin A45D 40/221
220/810
2014/0231461 A1* 8/2014 Rossignol A45D 33/22
222/183
2014/0299150 A1* 10/2014 Attard-Kingswell
A45D 33/006
132/287

(Continued)

(21) Appl. No.: **29/650,494**
(22) Filed: **Jun. 7, 2018**
(51) **LOC (12) Cl.** **28-03**
(52) **U.S. Cl.**
USPC **D28/83**
(58) **Field of Classification Search**
USPC D28/9, 64.1, 76-84; D3/294, 295;
D9/503-505, 722, 529, 737, 756, 759;
D19/102-103, 106-107, 112
CPC A45D 2033/001; A45D 33/006; A45D
33/003; A45D 33/04-33; A45D 33/025;
A45D 33/02; A45D 33/20; A45D 33/22;
A45D 33/24; A45D 33/26; A45D 33/28;
A45D 33/18; A45D 40/22; A45D 40/222;
A45D 40/24
See application file for complete search history.

OTHER PUBLICATIONS

Get your Riki Colorful Now, Riki loves Riki on Instagram, posted on Jul. 25, 2019, retrieved on Sep. 5, 2019, retrieved from the Internet URL: <https://www.instagram.com/p/B0WILb3nDoa/>.*

(Continued)

Primary Examiner — Jennifer Rivard
Assistant Examiner — Alison M Ofstun
(74) *Attorney, Agent, or Firm* — Steven N. Fox, Esq.

(57) **CLAIM**

The ornamental design for a cosmetics case, as shown and described.

DESCRIPTION

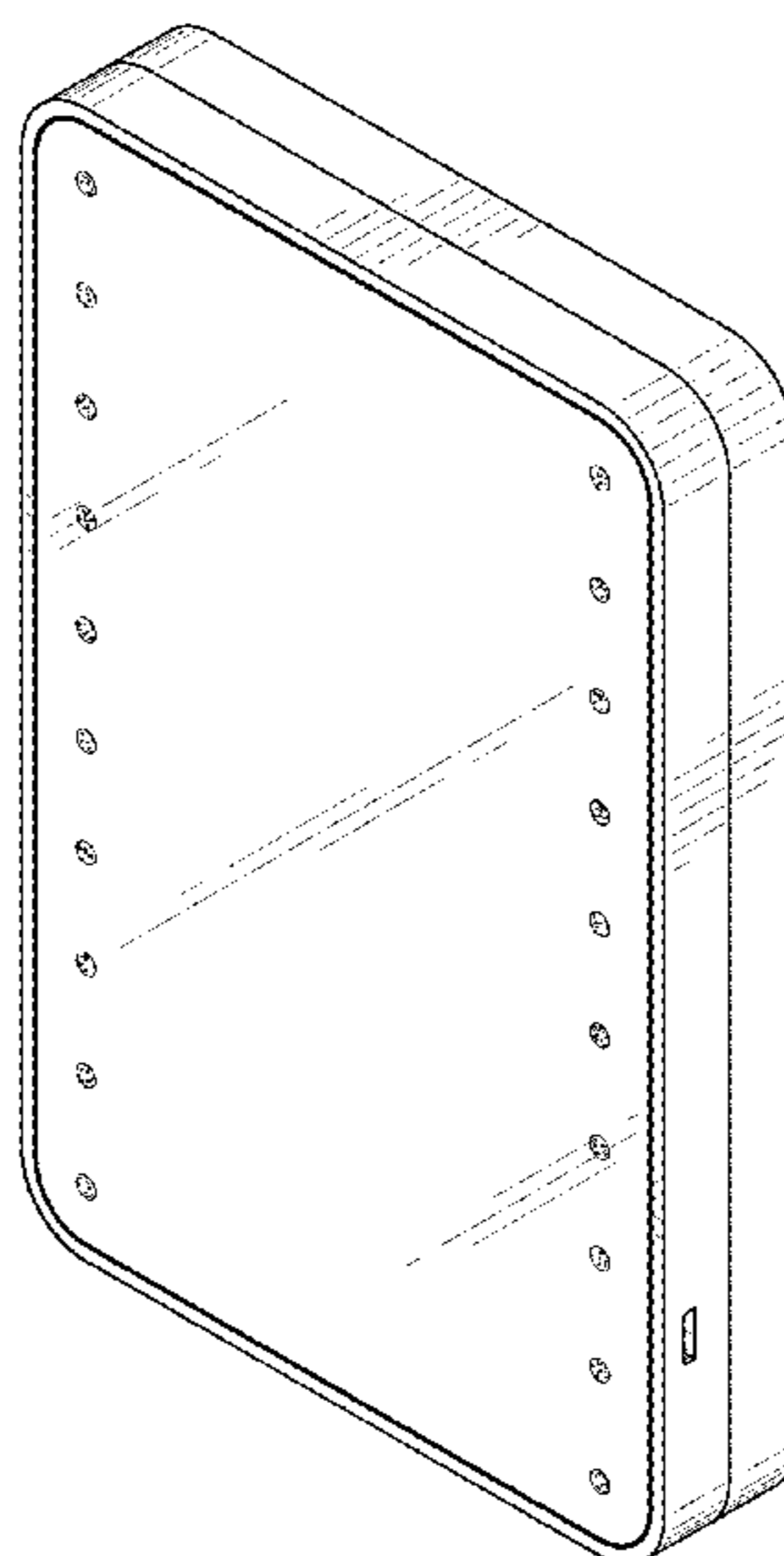
FIG. 1 is a front perspective view of a cosmetics case showing my new design, shown in a closed position of use; FIG. 2 is a front perspective view of the cosmetics case, shown in an open position, shown in an environment of use with exemplary pans; FIG. 3 is a rear view of the cosmetics case; FIG. 4 is a front view thereof; FIG. 5 is a top view thereof; FIG. 6 is a right side view thereof; FIG. 7 is a bottom view thereof; and, FIG. 8 is a left side view thereof. In the drawings, stippled areas illustrate light emitting diodes that have a contrast in appearance. In the drawings, broken lines illustrate environmental subject matter of exemplary pans and form no part of the claimed design.

(56) **References Cited**

U.S. PATENT DOCUMENTS

5,638,838 A * 6/1997 Lombardi A45C 13/005
132/294
D404,532 S * 1/1999 Castagna D26/37
D443,393 S * 6/2001 Goswell D28/83
D586,505 S * 2/2009 Moon D28/82
D638,582 S * 5/2011 Ohmoto D28/83
D709,651 S * 7/2014 Gaito D28/83
D722,724 S * 2/2015 Guor D28/83
D743,704 S * 11/2015 Kaiser D6/300
D837,195 S * 1/2019 Kaiser D14/250
D846,805 S * 4/2019 Kaiser D28/64.2
2004/0040570 A1* 3/2004 Shih A45D 33/006
132/293

1 Claim, 4 Drawing Sheets



(56)

References Cited

U.S. PATENT DOCUMENTS

2014/0299151 A1* 10/2014 Stroud A45D 33/008
132/315
2018/0368557 A1* 12/2018 Kaiser F21V 33/0004
2019/0037998 A1* 2/2019 Greenfield A45D 33/008
2019/0059557 A1* 2/2019 Kehoe A45D 40/24

OTHER PUBLICATIONS

How to Use the New Riki Colorful—YouTube, published on Aug. 20, 2019, retrieved on Sep. 5, 2019, retrieved from the Internet URL: <https://www.youtube.com/watch?v=mIDP4KwnWA8>.*

Ultra-thin Led Lighted Compact Travel Makeup Mirror, Gotofine, reviewed Jul. 15, 2016 on amazon.com, retrieved on Sep. 5, 2019, retrieved from the Internet URL: <https://www.amazon.com/Ultra-thin-Magnification-Adjustable-Brightness-Gotofine/dp/B01DXEYE42>.*

* cited by examiner

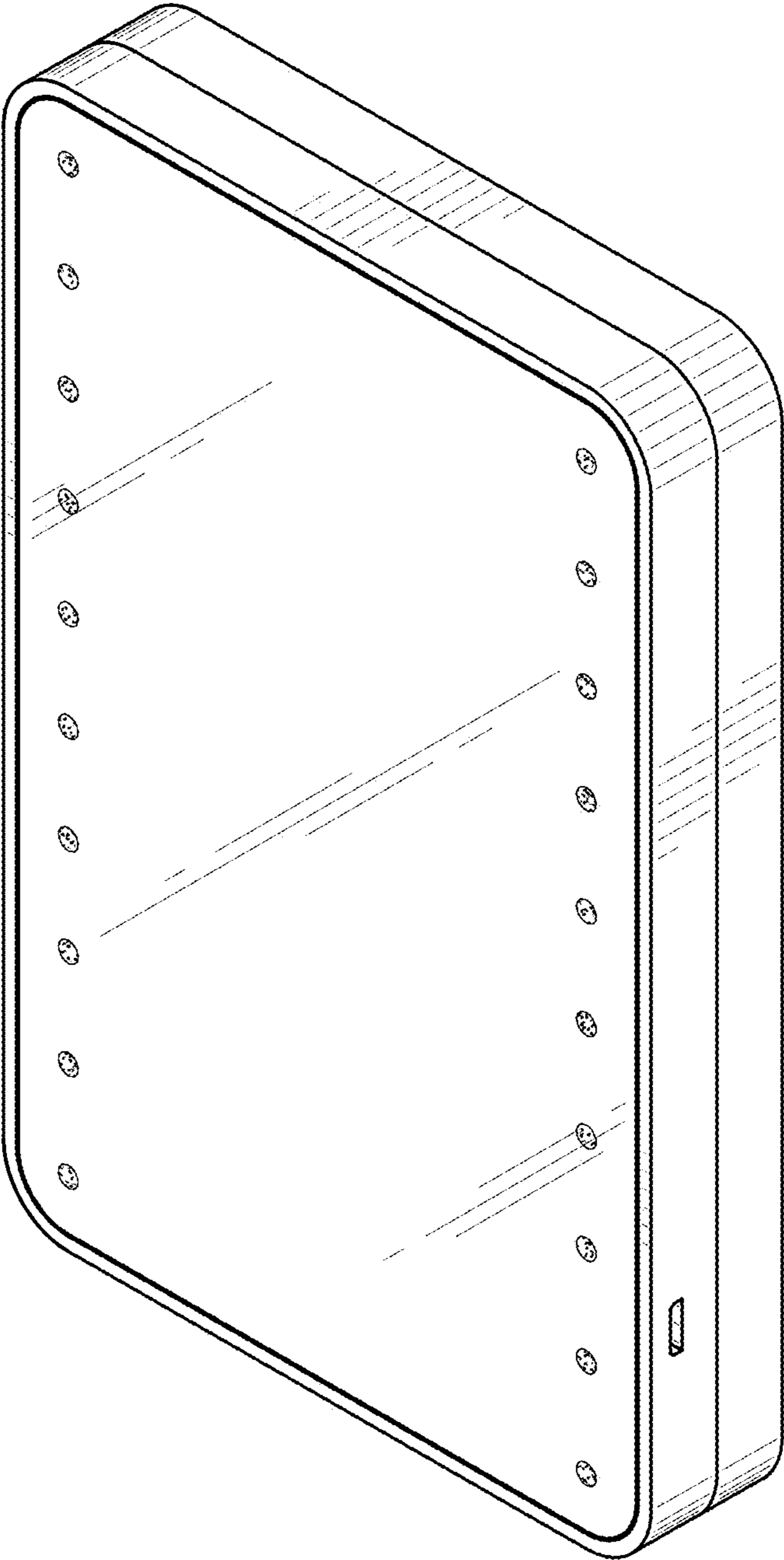


FIG. 1

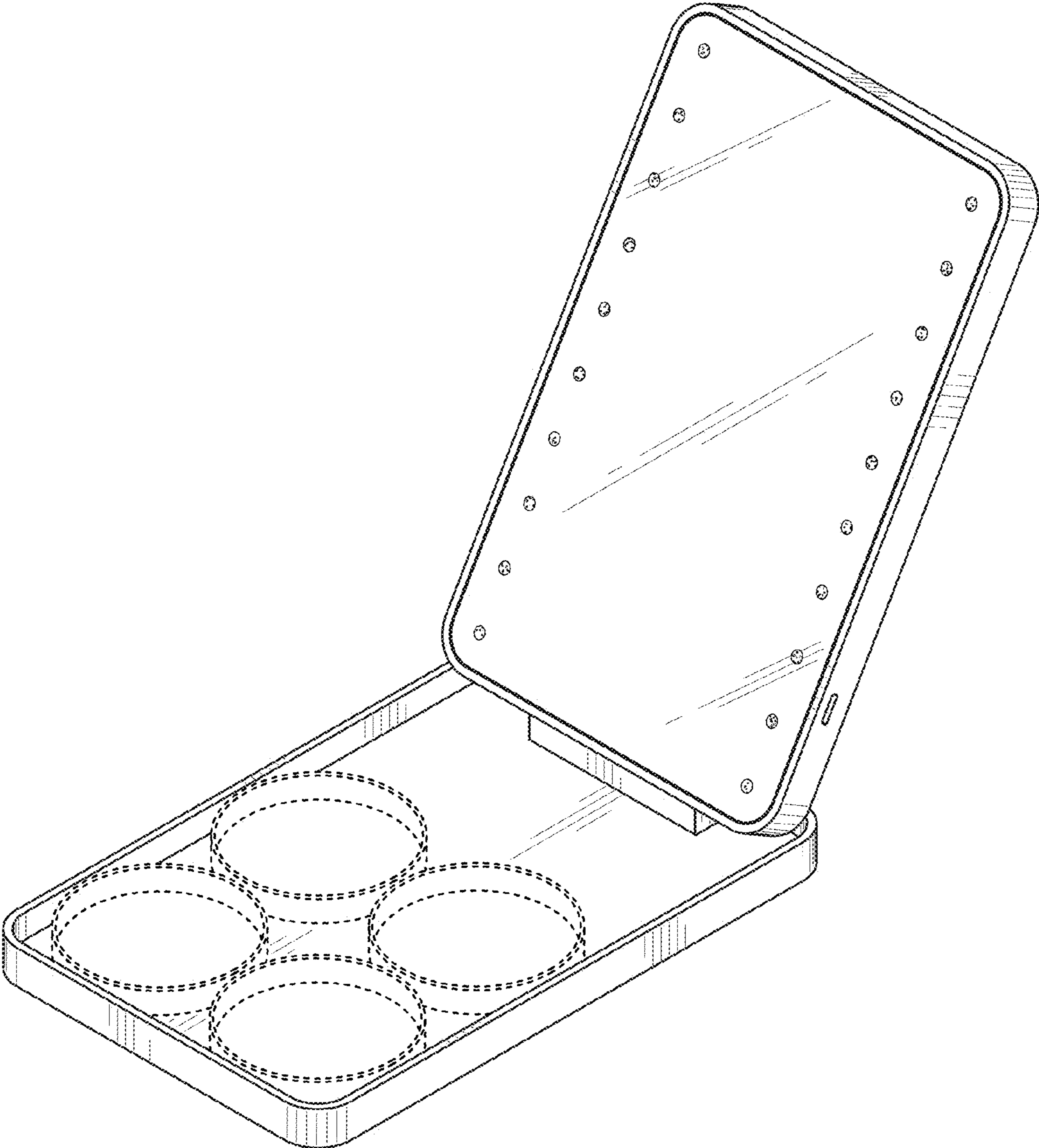


FIG. 2

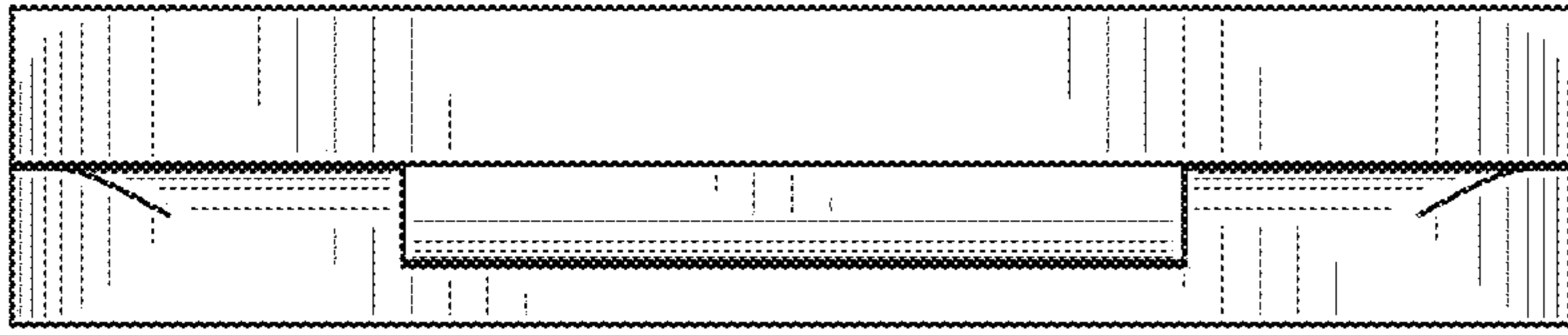


FIG. 3

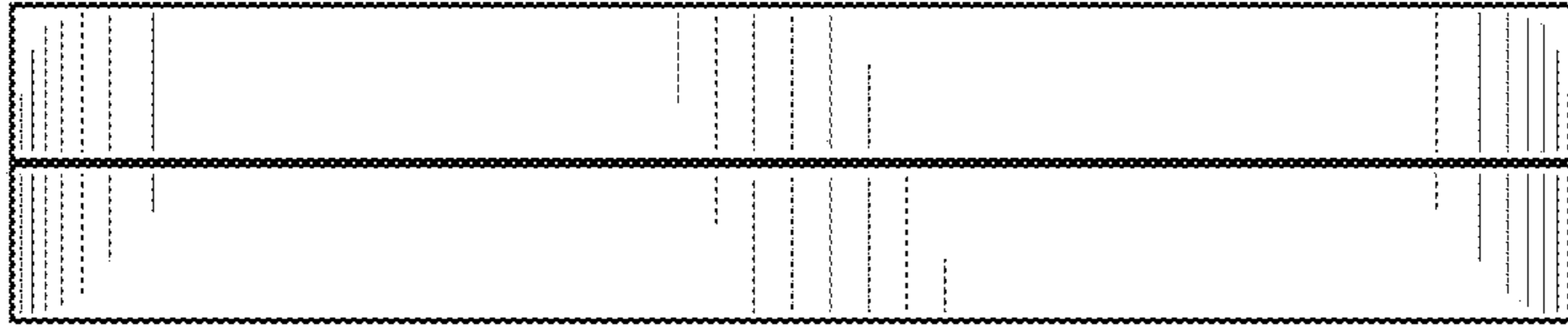


FIG. 4

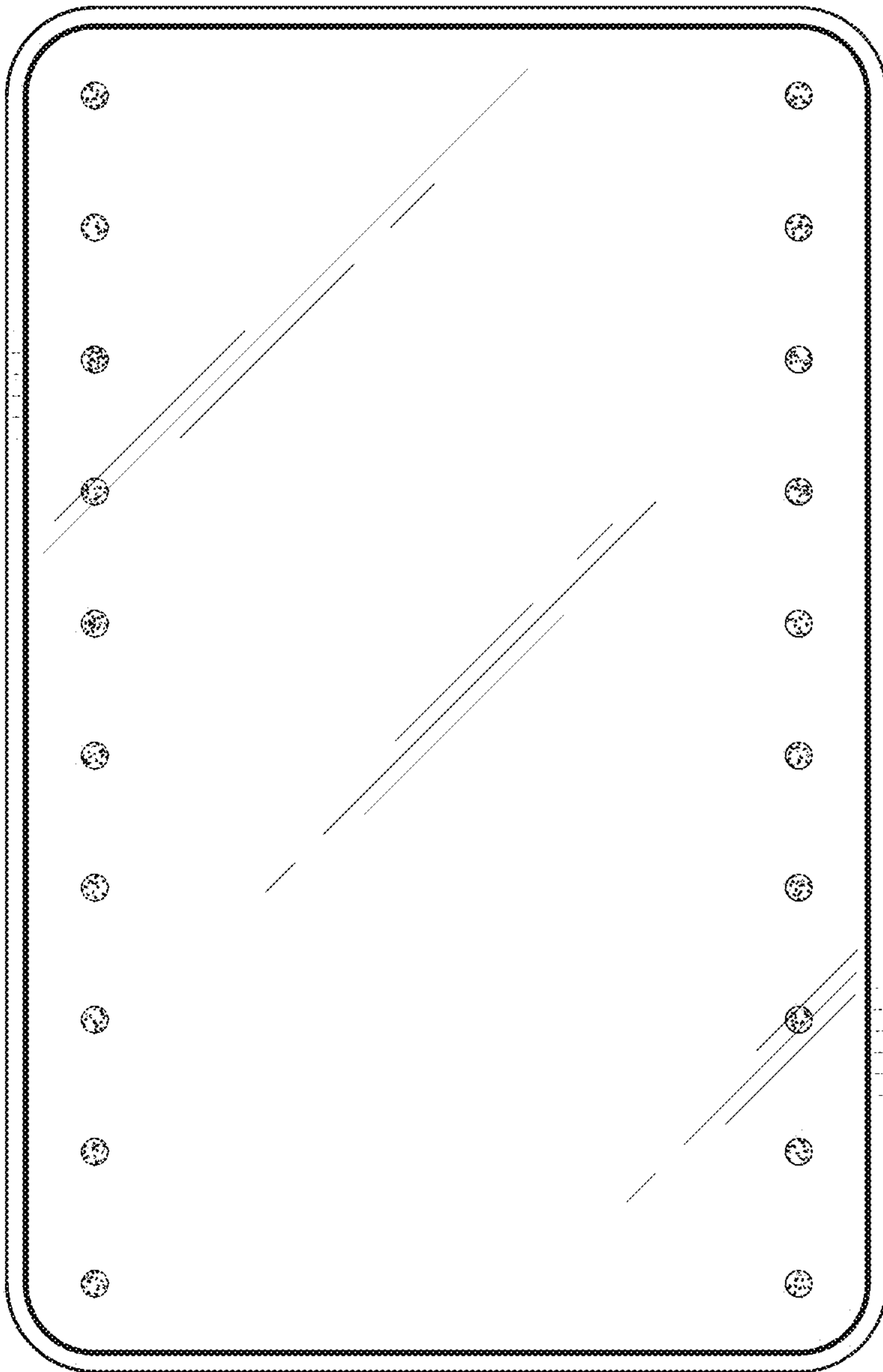


FIG. 5

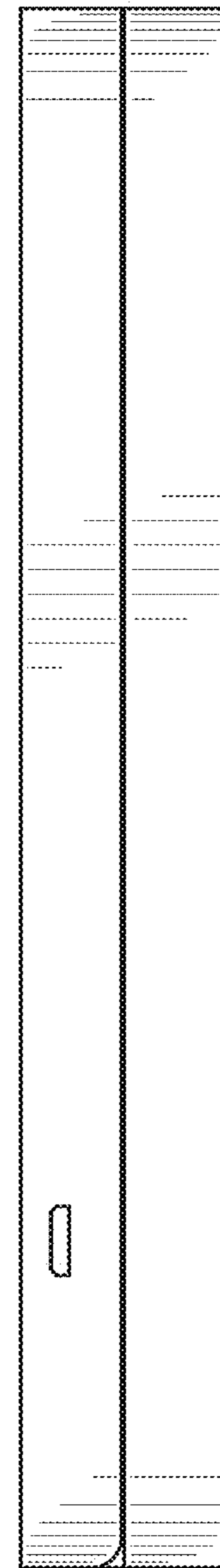


FIG. 6

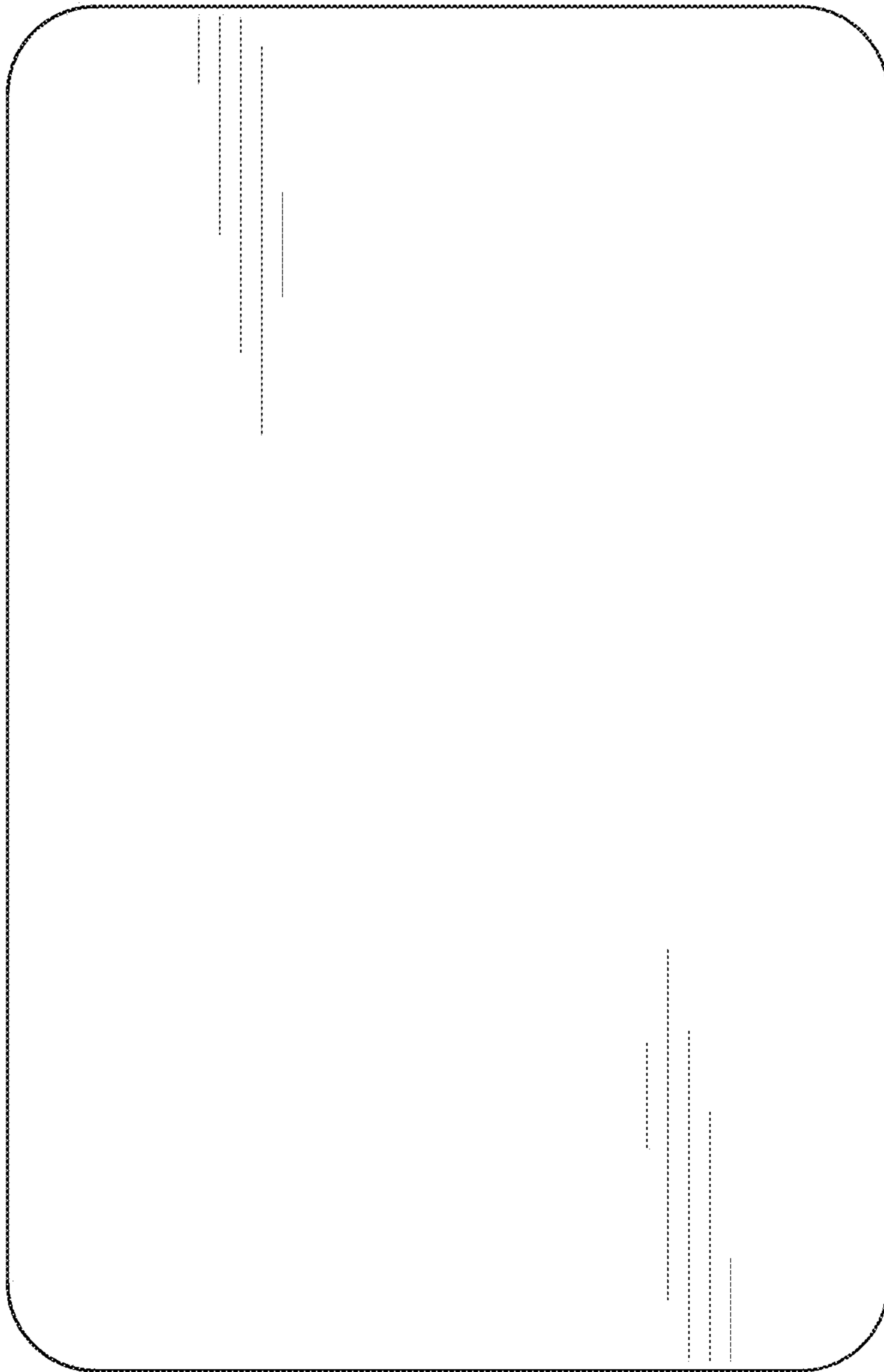


FIG. 7

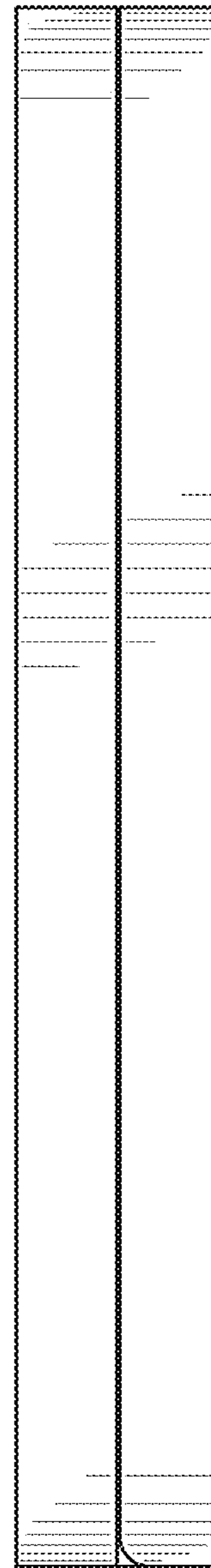


FIG. 8