



US00D880065S

(12) **United States Design Patent**  
**Hollinger**

(10) **Patent No.:** **US D880,065 S**

(45) **Date of Patent:** **\*\* Mar. 31, 2020**

- (54) **RECHARGEABLE MINI SHAVER**
- (71) Applicant: **E. MISHAN & SONS, INC.**, New York, NY (US)
- (72) Inventor: **Fred Hollinger**, Monroe Township, NJ (US)
- (73) Assignee: **E. MISHAN & SONS, INC.**, New York, NY (US)
- (\*\*) Term: **15 Years**
- (21) Appl. No.: **29/717,431**
- (22) Filed: **Dec. 17, 2019**

D334,443 S	3/1993	Rams et al.	
D345,823 S	4/1994	Barski	
5,621,971 A *	4/1997	Szymansky .....	B26B 19/3813 30/43.6
D409,797 S *	5/1999	Bone .....	D28/50
D438,343 S *	2/2001	Cockerille .....	D28/50
D536,134 S *	1/2007	Lee .....	D28/50
D542,973 S *	5/2007	Prat-Pfister .....	D28/50
D587,848 S *	3/2009	Leventhal .....	D28/50
D601,755 S *	10/2009	Prat-Pfister .....	D28/50
D675,778 S *	2/2013	Vetu .....	D28/50
D696,817 S *	12/2013	Prat-Pfister .....	D28/50
D720,886 S *	1/2015	Prat-Pfister .....	D28/50
D748,858 S *	2/2016	Prat-Pfister .....	D28/50
D808,591 S *	1/2018	Prat-Pfister .....	D28/50
D821,032 S *	6/2018	Prat-Pfister .....	D28/50

\* cited by examiner

**Related U.S. Application Data**

- (62) Division of application No. 29/701,721, filed on Aug. 14, 2019, now Pat. No. Des. 875,317.
- (51) **LOC (12) Cl.** ..... **28-03**
- (52) **U.S. Cl.**  
USPC ..... **D28/50**
- (58) **Field of Classification Search**  
USPC ..... D28/49-54  
CPC .... B26B 19/20-205; B26B 19/00-107; B26B 19/12-18; B26B 19/22-24; B26B 19/26-265; B26B 19/38-48  
See application file for complete search history.

*Primary Examiner* — Jennifer Rivard

(74) *Attorney, Agent, or Firm* — Notaro, Michalos & Zaccaria P.C.

(57) **CLAIM**

The ornamental design for a rechargeable mini shaver, as shown and described.

**DESCRIPTION**

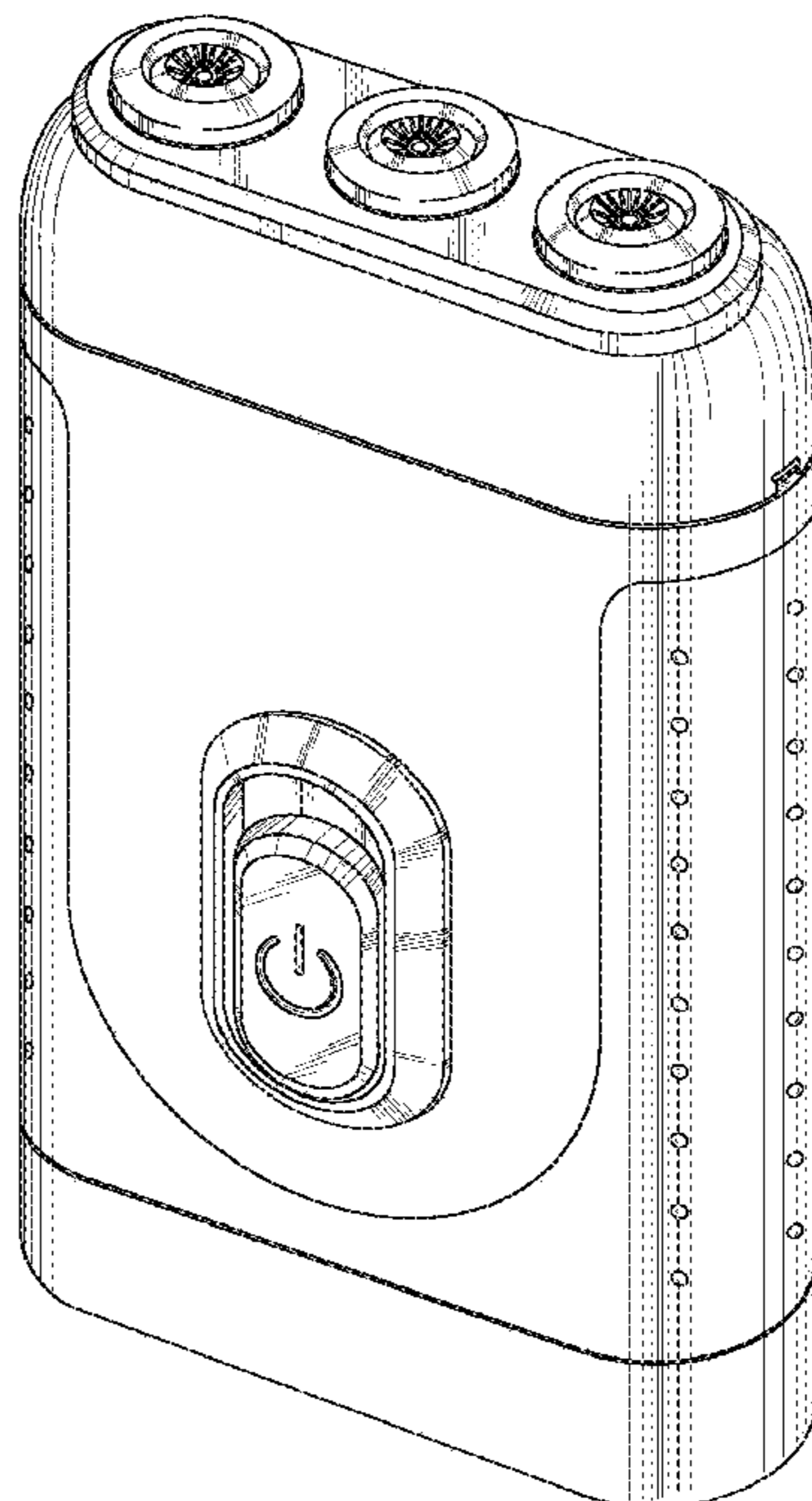
FIG. 1 is a top, front, left perspective view of a rechargeable mini shaver showing my new design therefor;  
 FIG. 2 is a rear elevational view thereof;  
 FIG. 3 is a front elevational view thereof;  
 FIG. 4 is a right side elevational view thereof;  
 FIG. 5 is a left side elevation plan view thereof;  
 FIG. 6 is a top plan view thereof; and,  
 FIG. 7 is a bottom plan view thereof.  
 The broken lines illustrate portions of the rechargeable mini shaver that form no part of the claimed design.

(56) **References Cited**

**U.S. PATENT DOCUMENTS**

D285,731 S	9/1986	Satoh et al.	
D306,778 S	3/1990	Meelen	
5,012,577 A *	5/1991	Bosch .....	B26B 19/14 30/346.51
D326,736 S	6/1992	Oord	

**1 Claim, 6 Drawing Sheets**



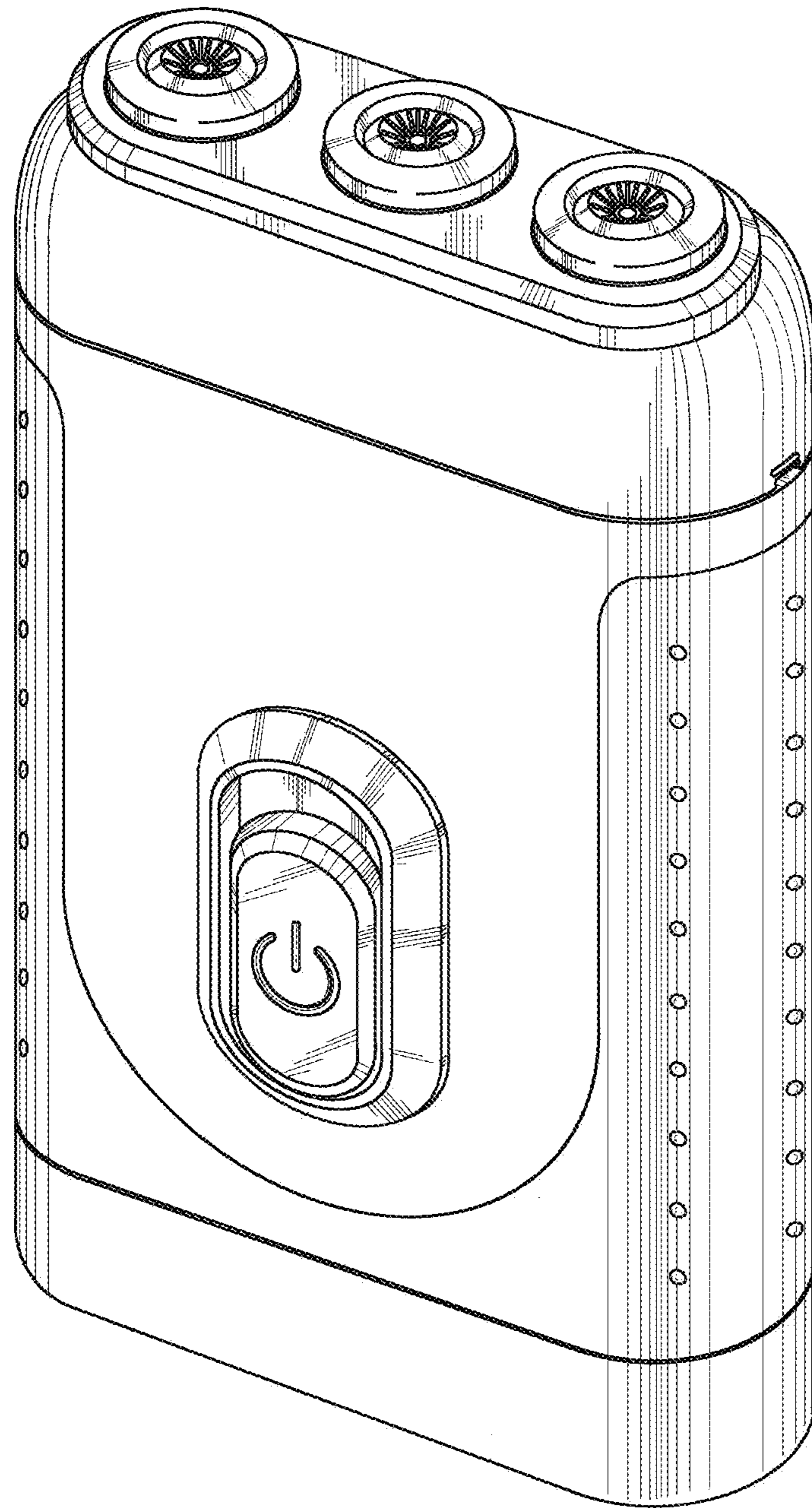


Fig. 1

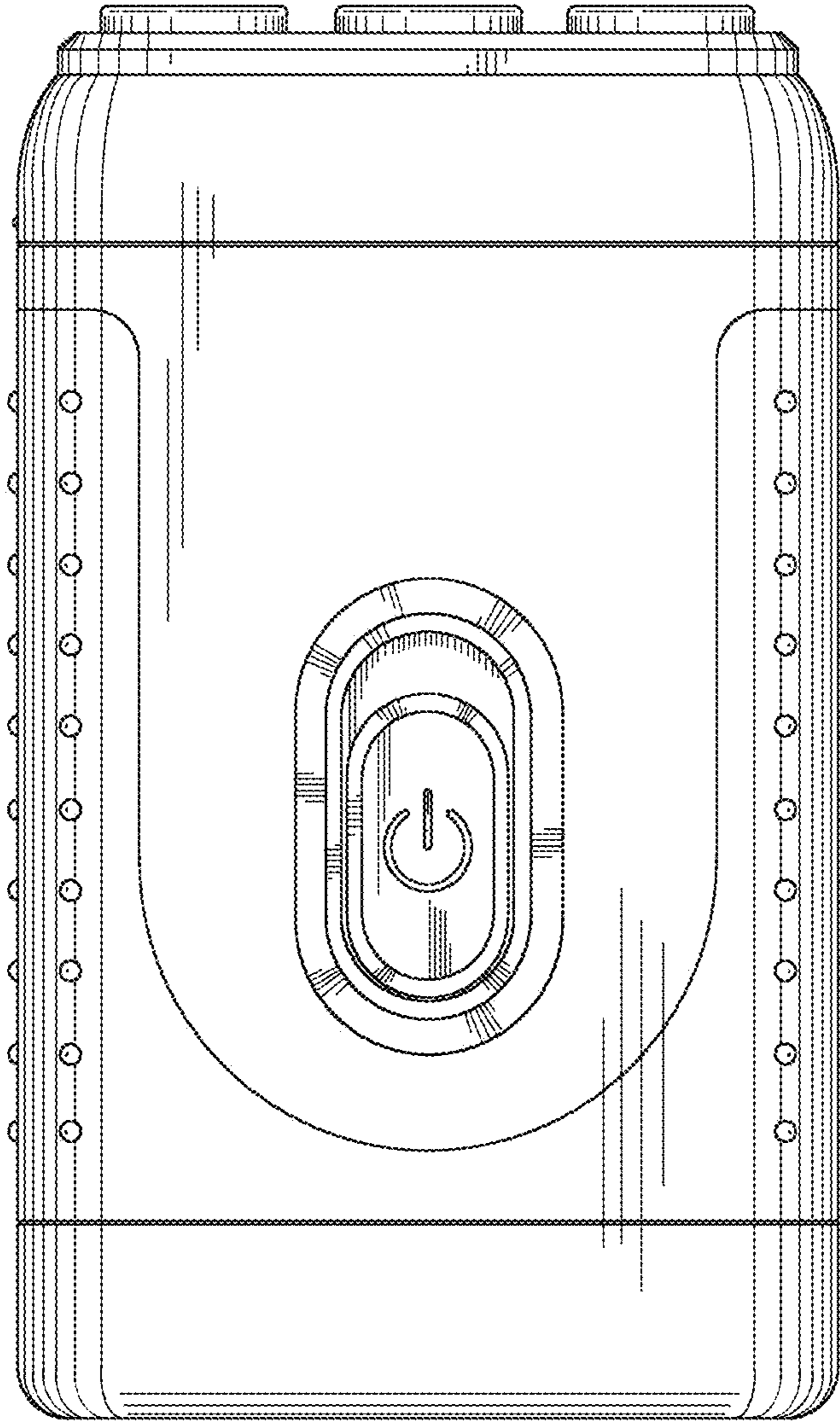


Fig. 2

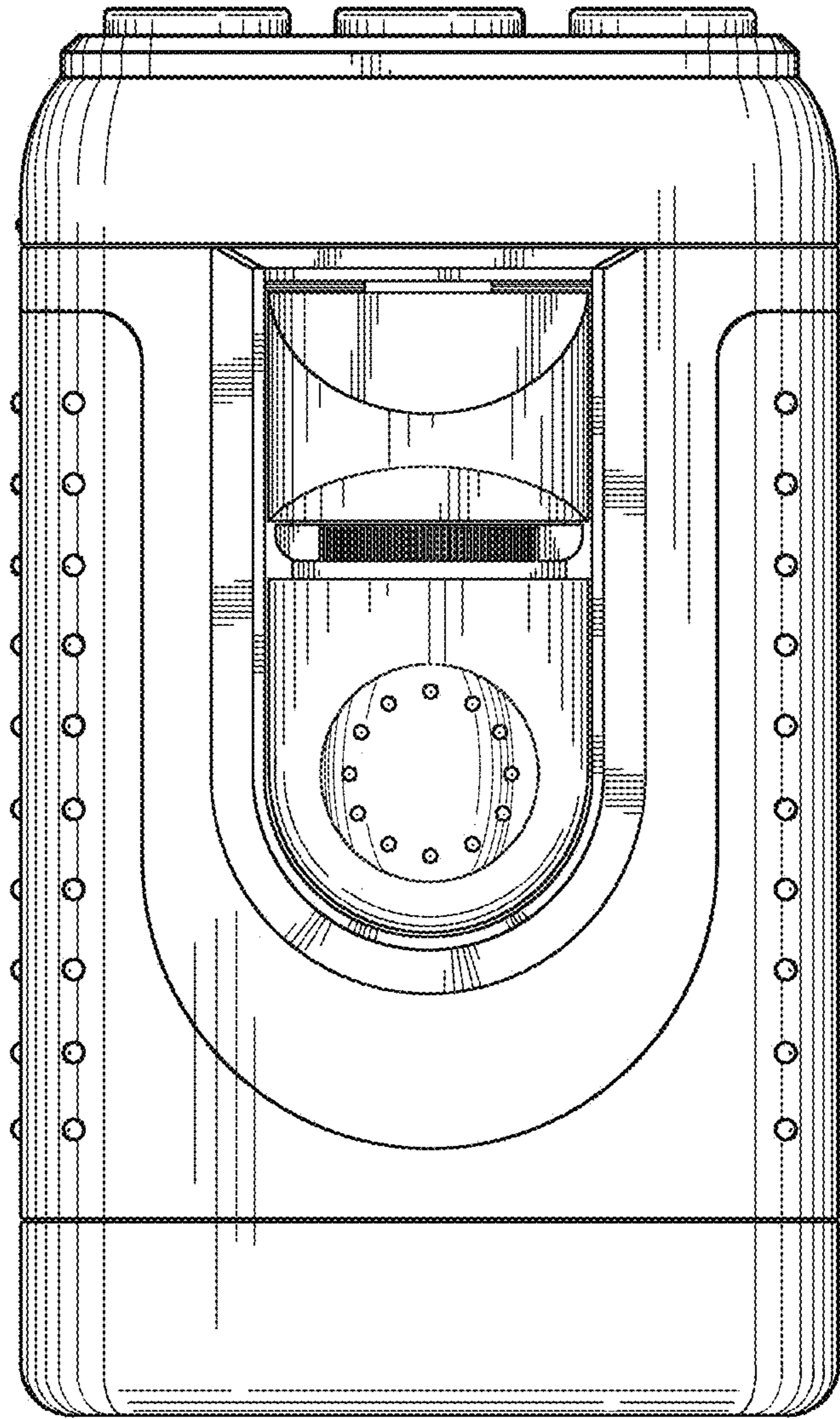


Fig. 3

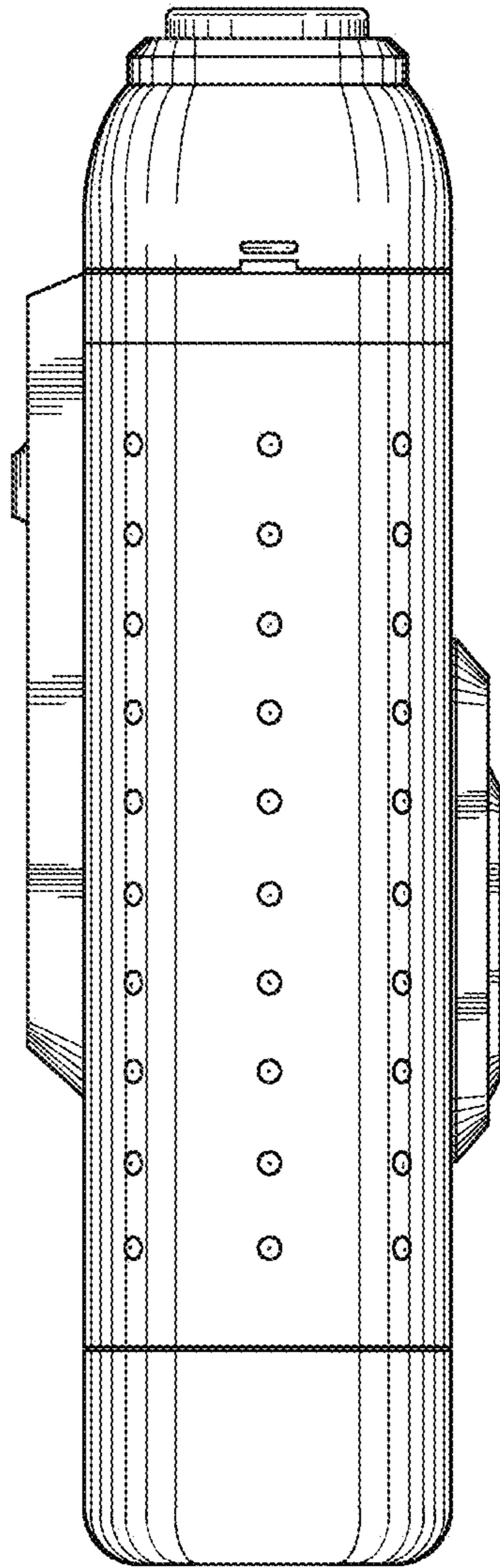


Fig.4

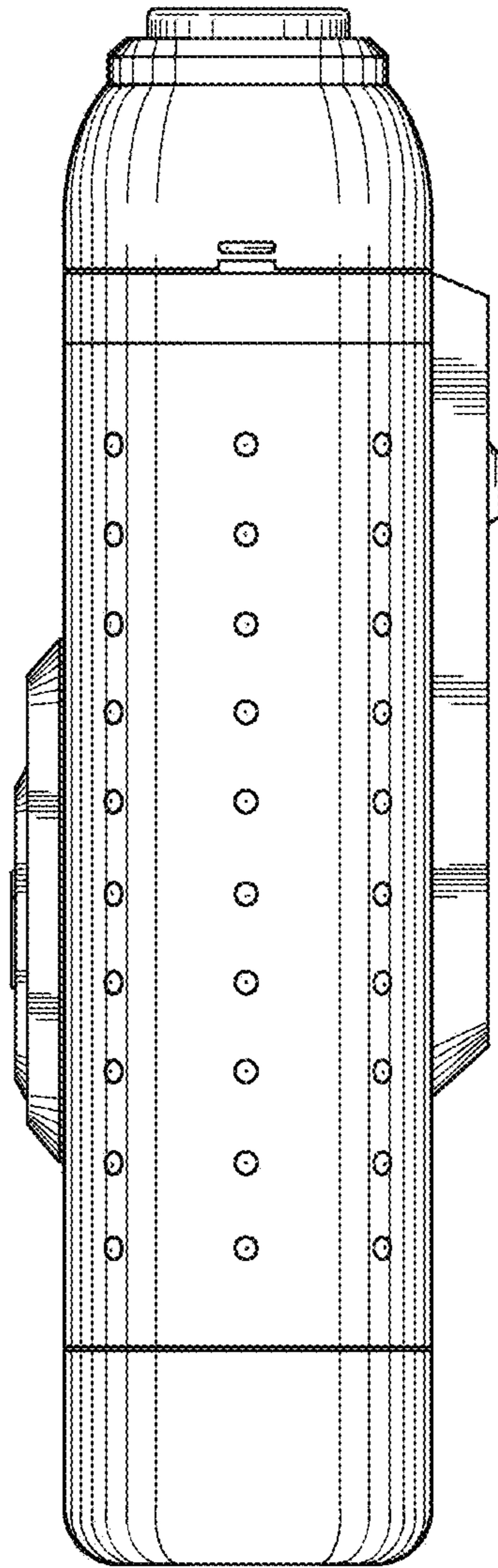


Fig. 5

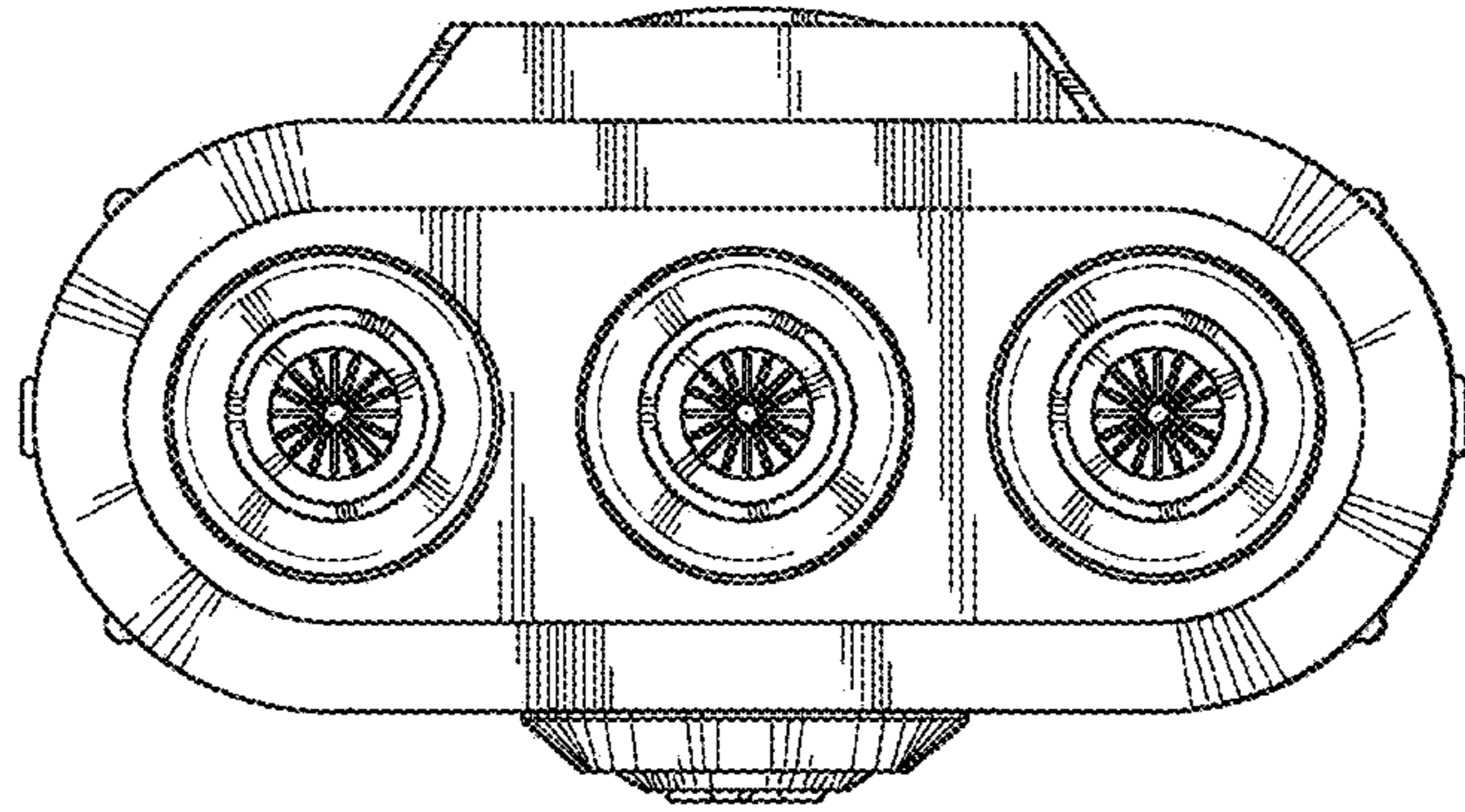


Fig. 6

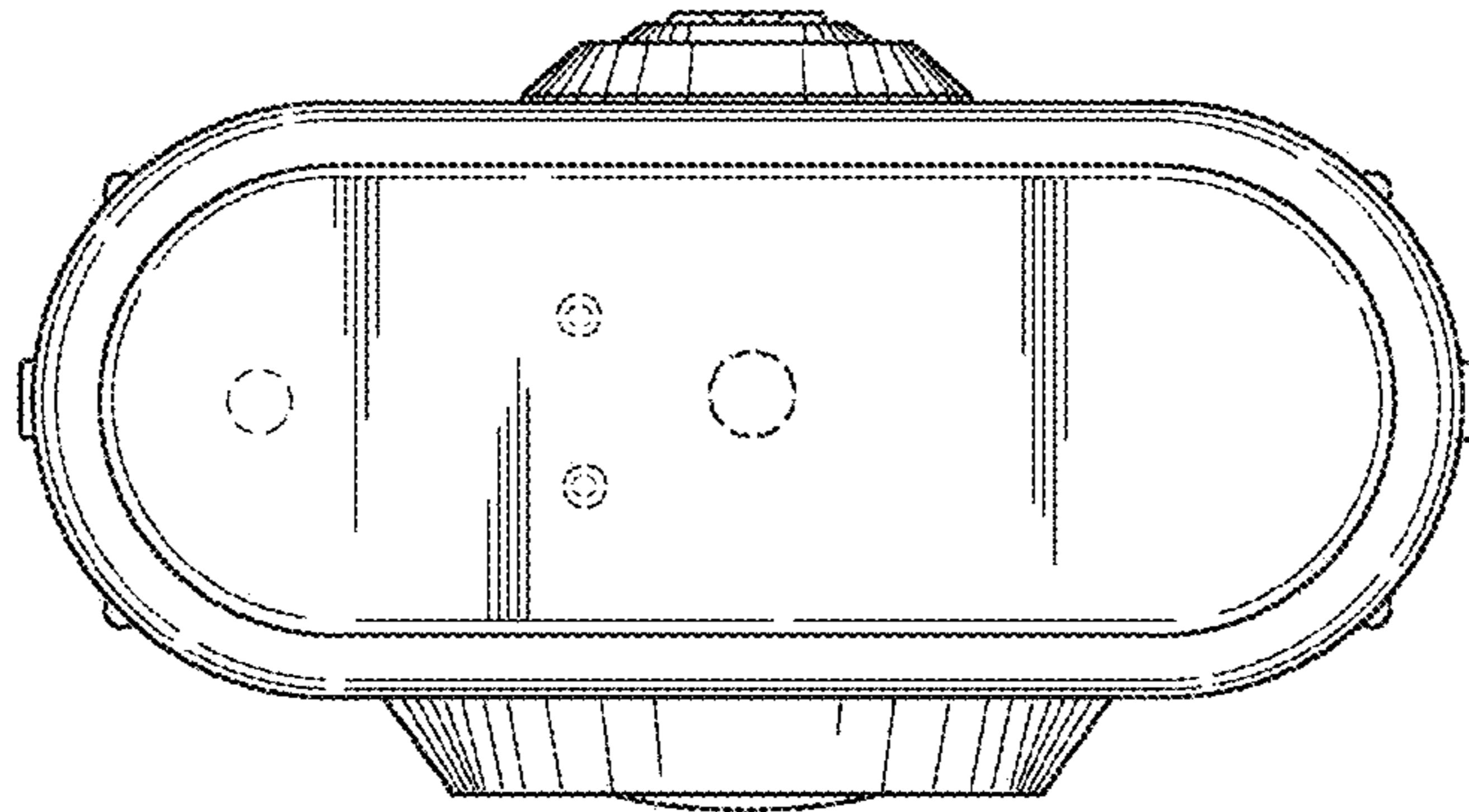


Fig. 7