



US00D880061S

(12) **United States Design Patent**
Liao

(10) **Patent No.:** **US D880,061 S**
(45) **Date of Patent:** **** Mar. 31, 2020**

(54) **HAIR DRYER BRUSH**

(71) Applicant: **Dongguan Shengming Industrial Co., Ltd, Dongguan (CN)**

(72) Inventor: **Shengwang Liao, Ganzhou (CN)**

(**) Term: **15 Years**

(21) Appl. No.: **29/690,086**

(22) Filed: **May 6, 2019**

(30) **Foreign Application Priority Data**

Apr. 24, 2019 (EM) 006384814

(51) **LOC (12) Cl.** **28-03**

(52) **U.S. Cl.**
USPC **D28/15**

(58) **Field of Classification Search**
USPC D28/12-19; D4/128, 133
CPC A45D 20/00; A45D 20/08; A45D 20/50;
A45D 20/52

See application file for complete search history.

(56) **References Cited**

U.S. PATENT DOCUMENTS

D299,976 S 2/1989 Elkerbout
D334,666 S 4/1993 Bell et al.
D383,245 S * 9/1997 Seifert D28/13
D430,348 S * 8/2000 Moreno D28/18
6,363,215 B1 * 3/2002 Cafaro A45D 20/50
132/118

D471,718 S * 3/2003 Park D4/133
D557,018 S * 12/2007 Park D4/128
7,814,602 B2 * 10/2010 Stydahr A46B 7/10
132/120
D776,345 S * 1/2017 Tang D28/13
D821,648 S 6/2018 Qiu

* cited by examiner

Primary Examiner — Zenia I Bennett

(74) *Attorney, Agent, or Firm* — Jie Yang; ZanIP

(57) **CLAIM**

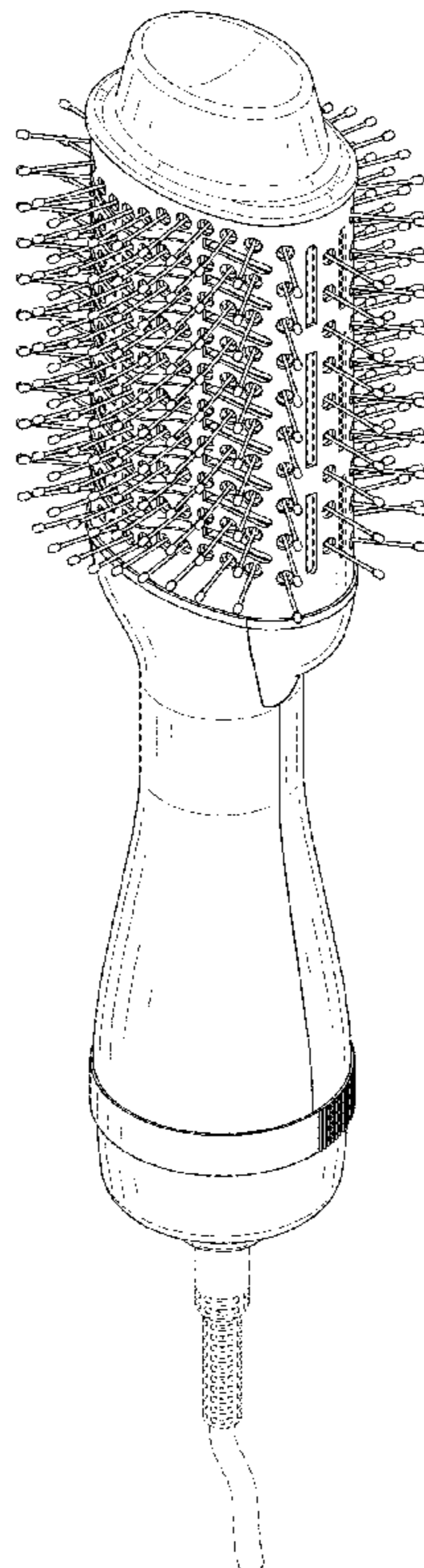
The ornamental design for a hair dryer brush, as shown and described.

DESCRIPTION

FIG. 1 is a first perspective view of a hair dryer brush showing my design;
FIG. 2 is a second perspective view thereof;
FIG. 3 is a front view thereof;
FIG. 4 is a back view thereof;
FIG. 5 is a left side view thereof;
FIG. 6 is a right side view thereof;
FIG. 7 is top view thereof;
FIG. 8 is a bottom view thereof;
FIG. 9 is an enlarged view of the selected portion in FIG. 2; and,
FIG. 10 is an enlarged view of the selected portion in FIG. 2.

The broken lines shown in the drawings depict portions of the hair dryer brush in which the design is embodied that form no part of the claimed design.

1 Claim, 10 Drawing Sheets



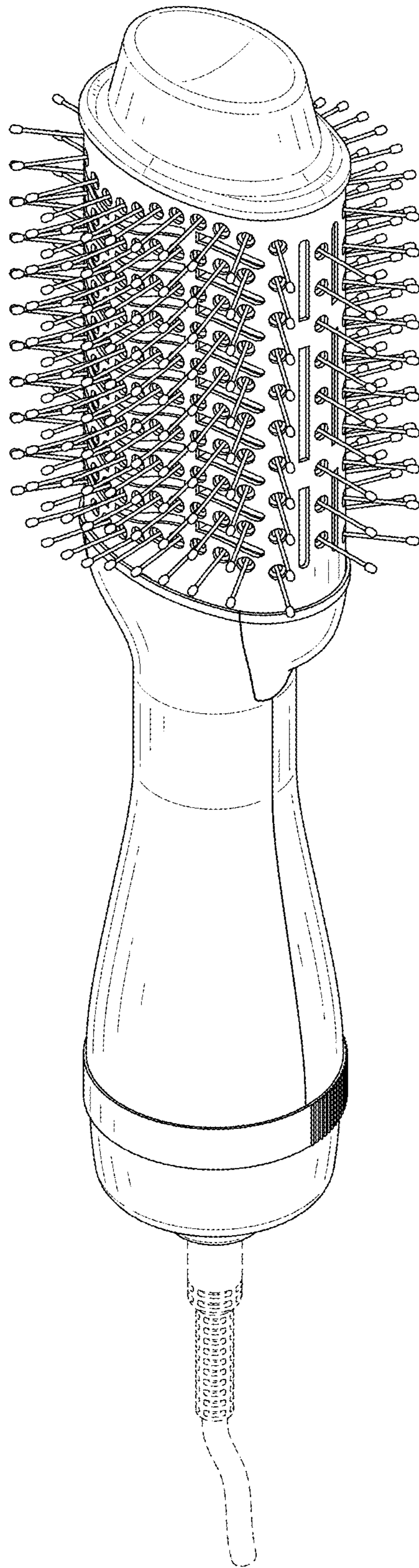


FIG. 1

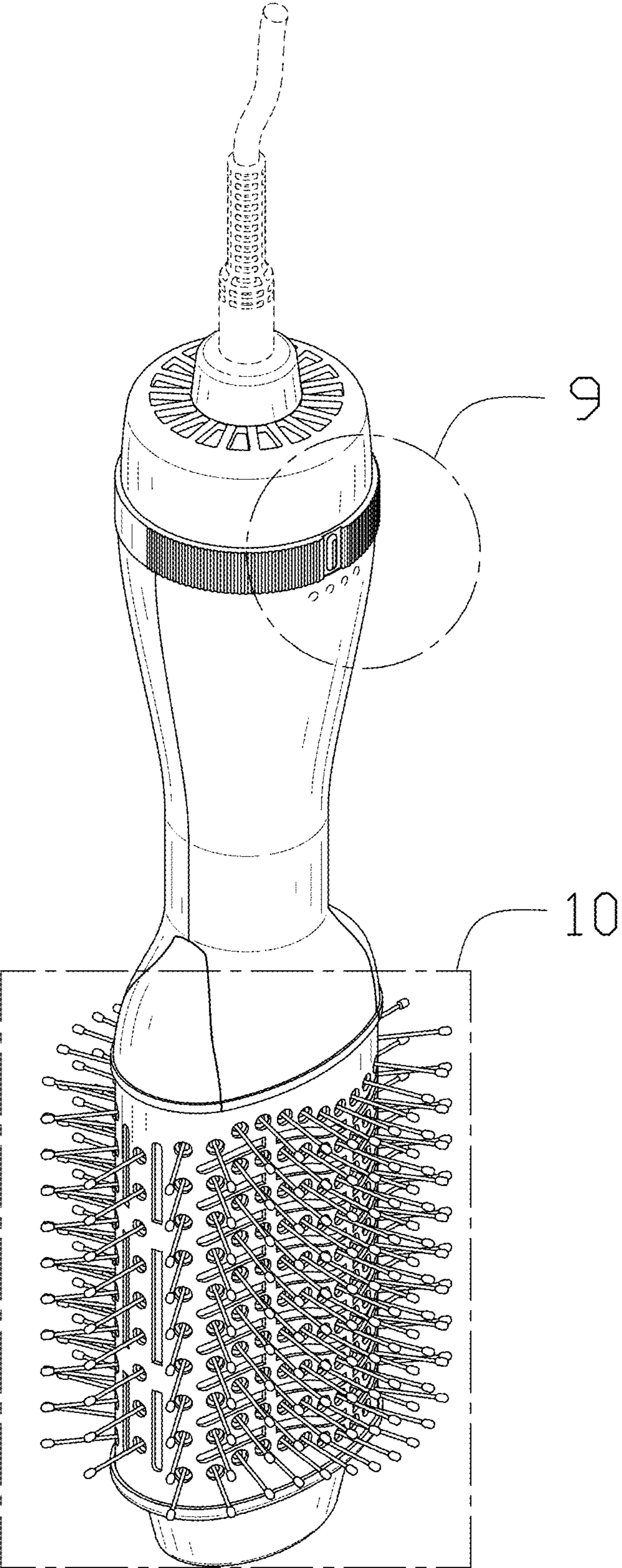


FIG. 2

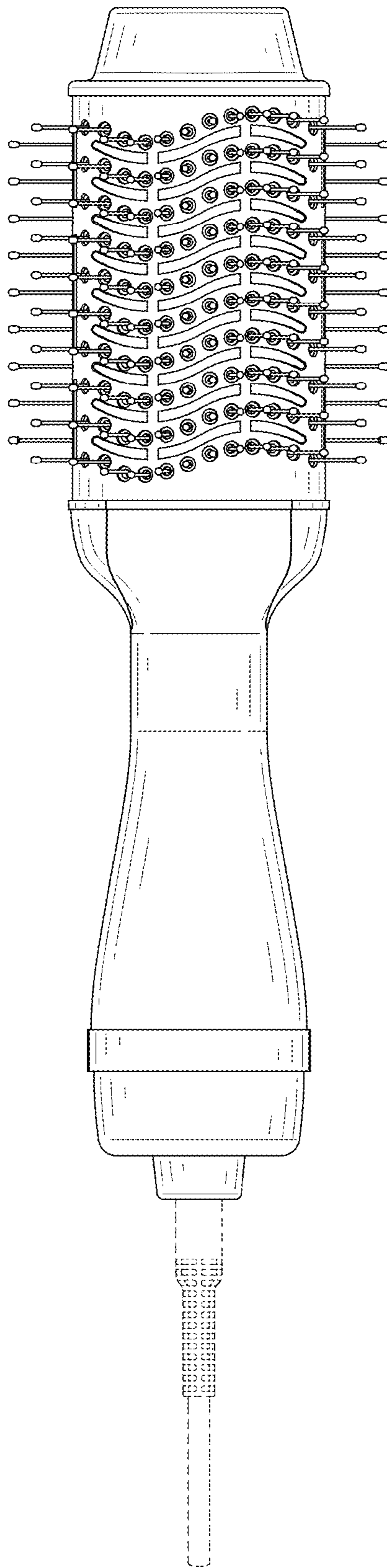


FIG. 3

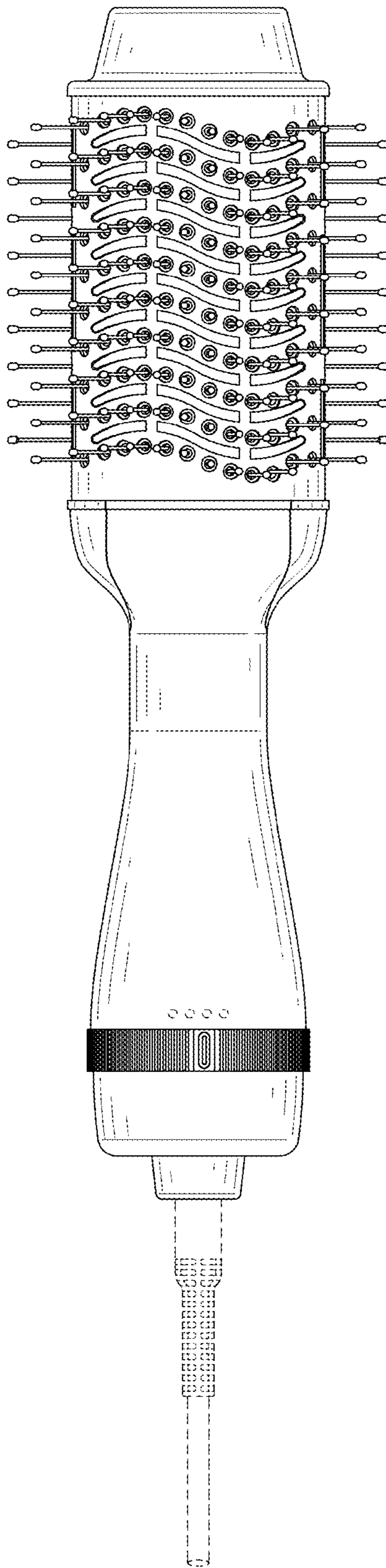


FIG. 4

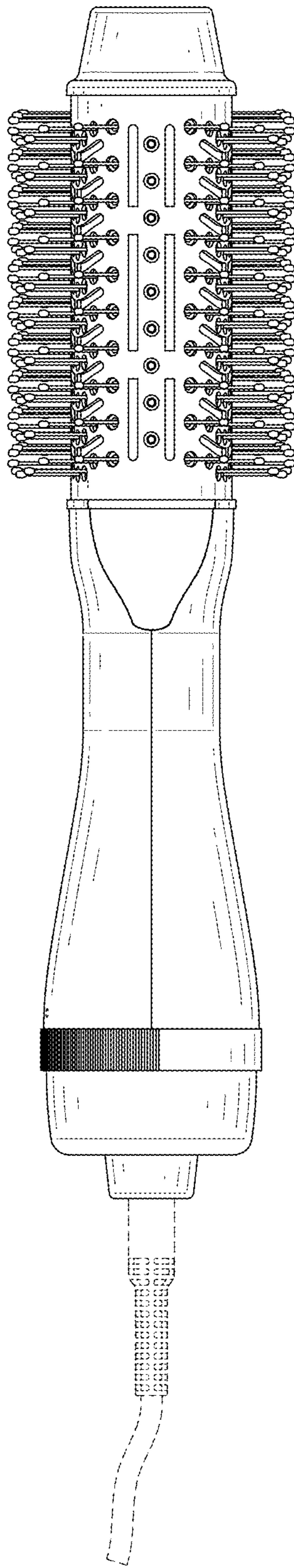


FIG. 5

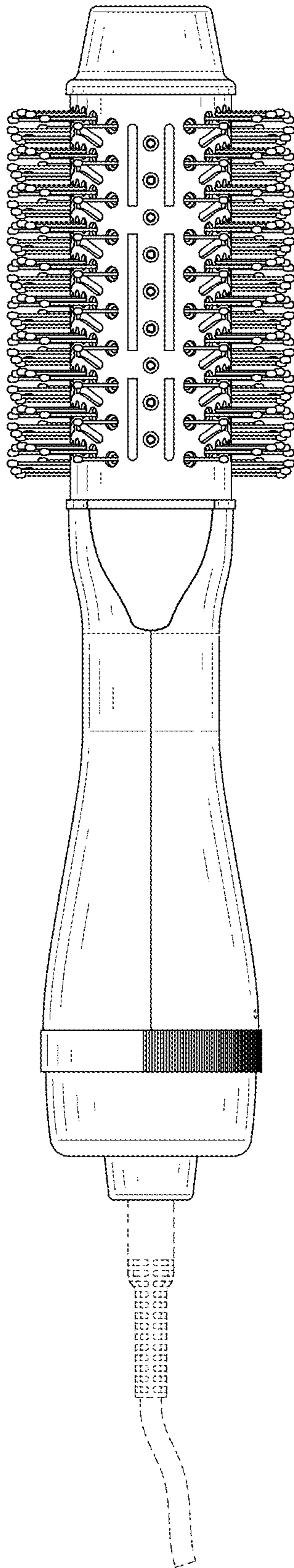


FIG. 6

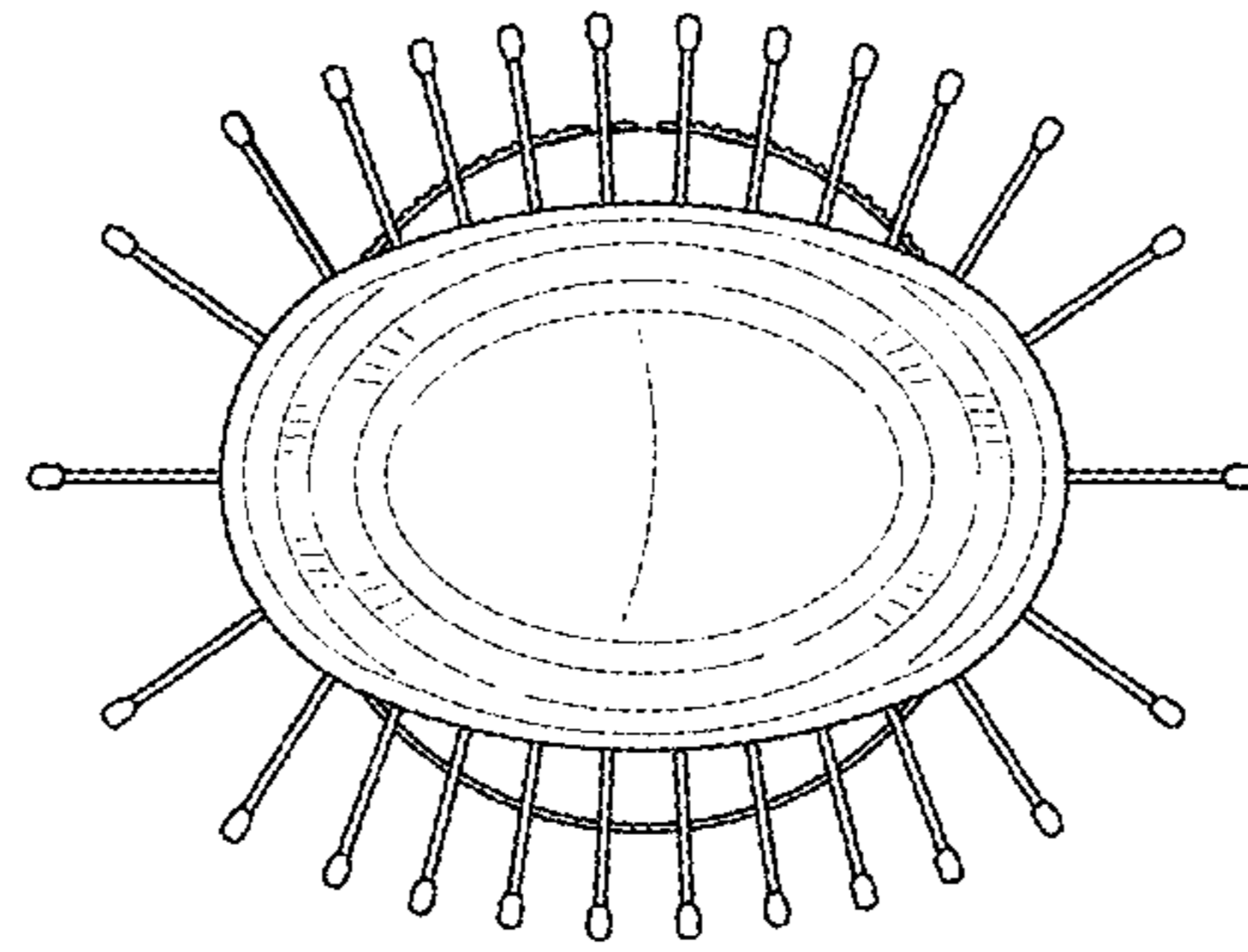


FIG. 7

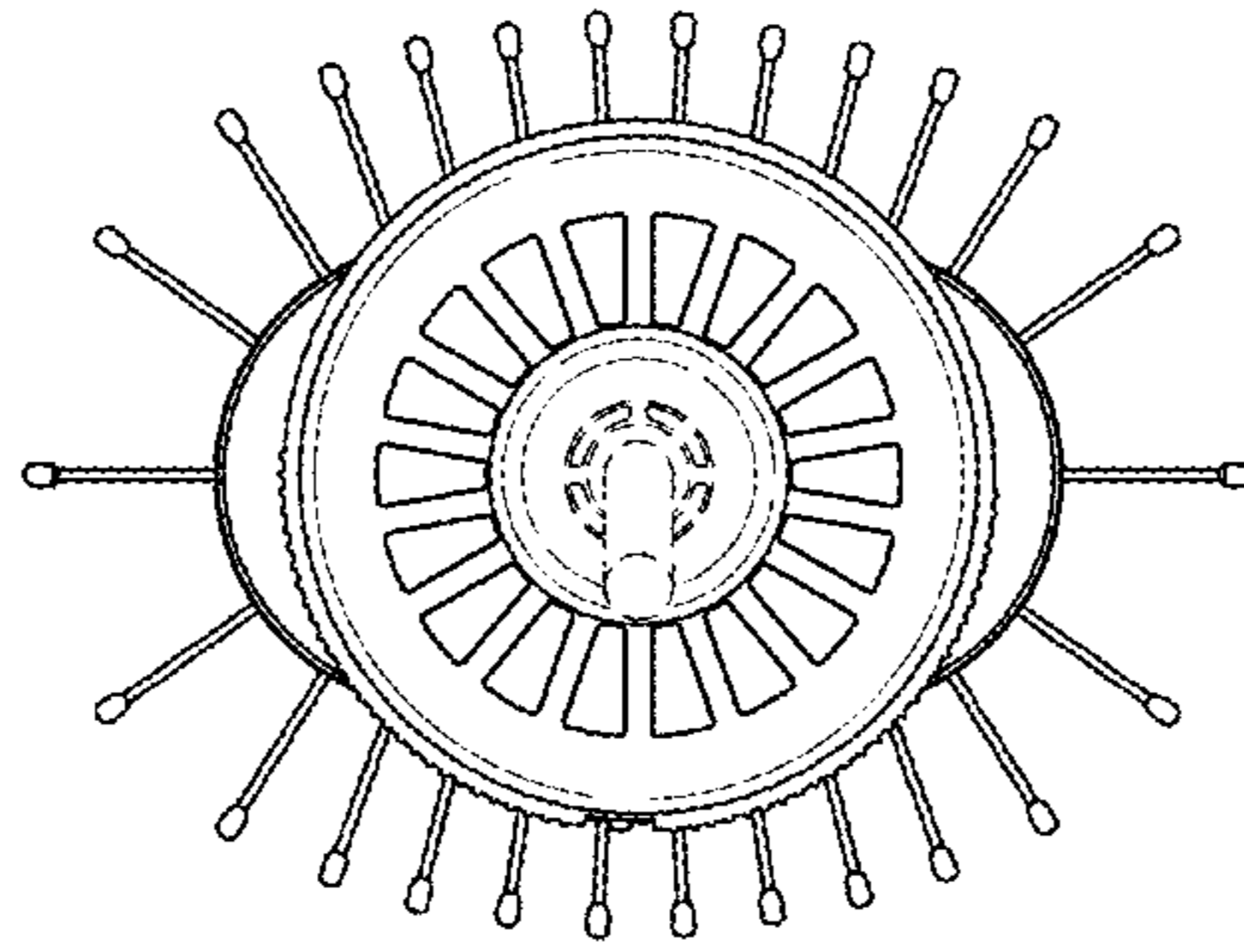


FIG. 8

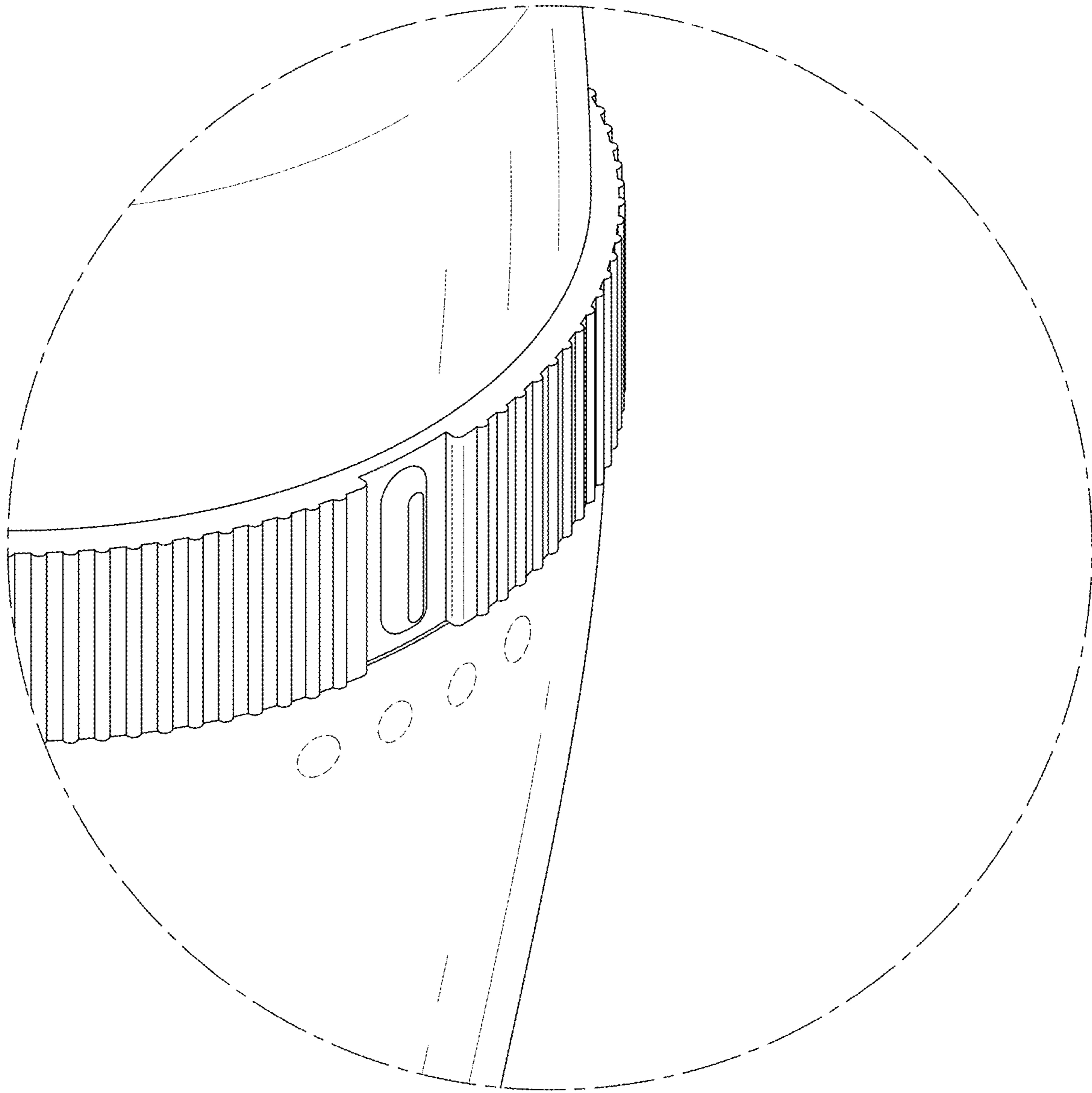


FIG. 9

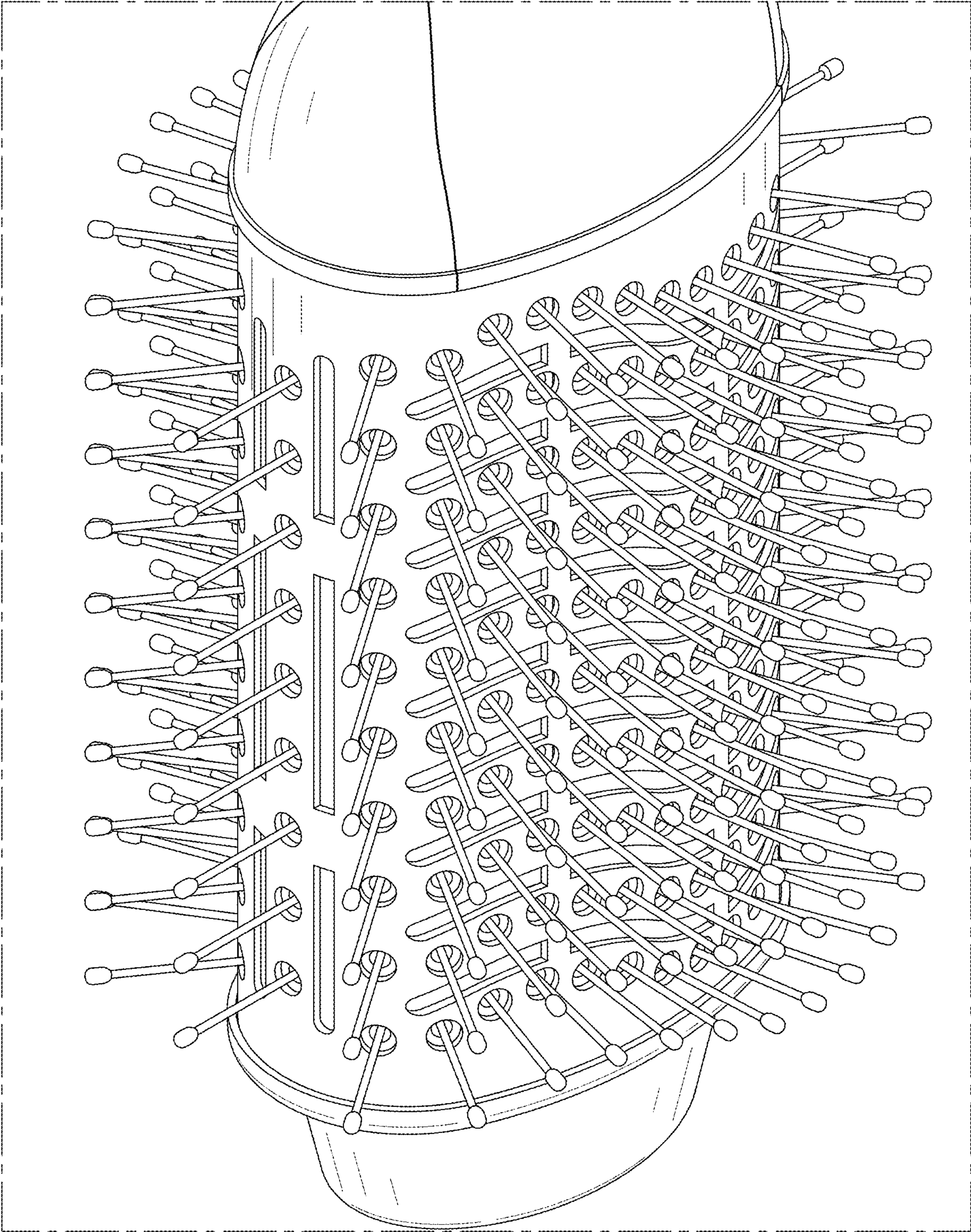


FIG. 10



US00D880061C1

(12) **EX PARTE REEXAMINATION CERTIFICATE** (11862nd)
United States Patent
Liao

(10) **Number:** **US D880,061 C1**
(45) **Certificate Issued:** **Jun. 8, 2021**

(54) **HAIR DRYER BRUSH**

(71) Applicant: **Dongguan Shengming Industrial Co., Ltd**, Dongguan (CN)

(72) Inventor: **Shengwang Liao**, Ganzhou (CN)

Reexamination Request:
No. 90/014,529, Jun. 12, 2020

Reexamination Certificate for:
Patent No.: **Des. 880,061**
Issued: **Mar. 31, 2020**
Appl. No.: **29/690,086**
Filed: **May 6, 2019**

(30) **Foreign Application Priority Data**

Apr. 24, 2019 (EM) 006384814

(51) **LOC (13) Cl.** **28-03**

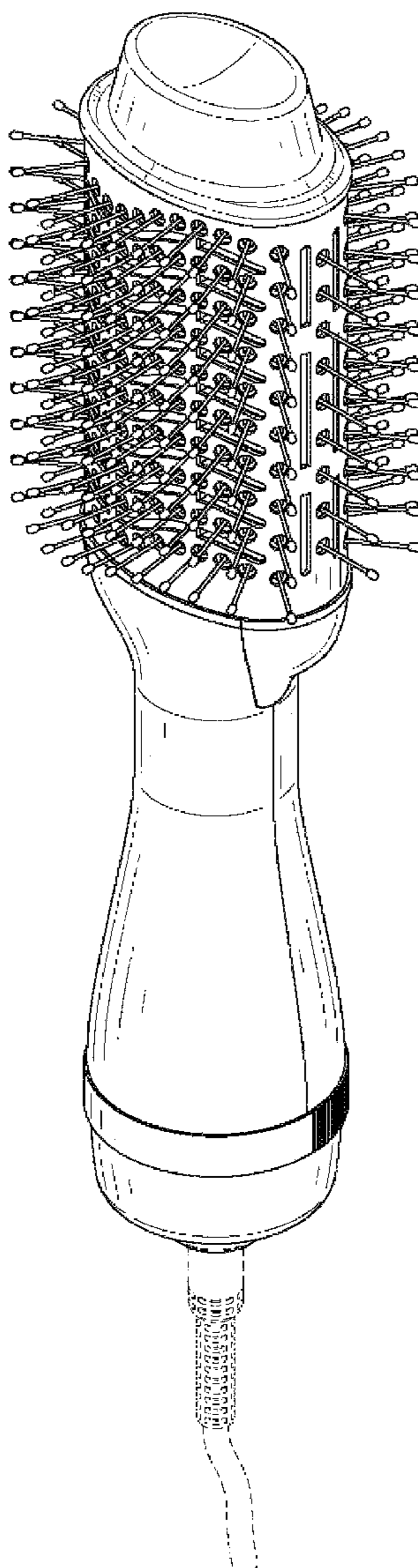
(52) **U.S. Cl.**
USPC **D28/15**

(58) **Field of Classification Search**
USPC D28/12, 13, 14, 15, 16, 17, 18, 19;
D4/128, 133
CPC A45D 20/00; A45D 20/08; A45D 20/50;
A45D 20/52
See application file for complete search history.

(56) **References Cited**

To view the complete listing of prior art documents cited during the proceeding for Reexamination Control Number 90/014,529, please refer to the USPTO's public Patent Application Information Retrieval (PAIR) system under the Display References tab.

Primary Examiner — Philip S Hyder



**EX PARTE
REEXAMINATION CERTIFICATE**

THE PATENT IS HEREBY AMENDED AS
INDICATED BELOW.

5

AS A RESULT OF REEXAMINATION, IT HAS BEEN
DETERMINED THAT:

The single claim is cancelled.

10

* * * * *