



US00D880060S

(12) **United States Design Patent**
Chen

(10) **Patent No.:** **US D880,060 S**
(45) **Date of Patent:** **** Mar. 31, 2020**

- (54) **ELECTRONIC CIGARETTE ATOMIZER**
- (71) Applicant: **SHENZHEN SMOORE TECHNOLOGY LIMITED**, Shenzhen (CN)
- (72) Inventor: **Zhiping Chen**, Shenzhen (CN)
- (73) Assignee: **SHENZHEN SMOORE TECHNOLOGY LIMITED**, Shenzhen (CN)
- (**) Term: **15 Years**
- (21) Appl. No.: **29/682,485**
- (22) Filed: **Mar. 5, 2019**

D552,230 S *	10/2007	Collins	D24/110
D591,856 S *	5/2009	Lulla	D24/110
D646,574 S *	10/2011	Bore	D9/529
D736,460 S *	8/2015	McKeon	D27/189
D763,502 S *	8/2016	Verleur	D27/167
D772,480 S *	11/2016	Hua	D27/189
D820,515 S *	6/2018	Nettenstrom	D27/167
D829,371 S *	9/2018	Durand	D27/101
D833,063 S *	11/2018	Qiu	D27/101
D834,246 S *	11/2018	Qiu	D27/162
D846,798 S *	4/2019	Chen	D27/163
D848,057 S *	5/2019	Lomeli	D27/167
D852,408 S *	6/2019	Nettenstrom	D27/101
D854,238 S *	7/2019	Gould	D27/194
D855,251 S *	7/2019	Qiu	D27/162
D860,522 S *	9/2019	Zhan	D27/167
D863,673 S *	10/2019	Lai	D27/162

* cited by examiner

Primary Examiner — Marissa J Cash
(74) *Attorney, Agent, or Firm* — JCIP Global Inc.

Related U.S. Application Data

- (62) Division of application No. 29/623,197, filed on Oct. 23, 2017, now Pat. No. Des. 846,798.
- (51) **LOC (12) Cl.** **27-04**
- (52) **U.S. Cl.**
USPC **D27/194**
- (58) **Field of Classification Search**
USPC D27/100, 101, 162–194; D24/110;
D23/366; D19/115
CPC A24F 1/00; A24F 1/02; A24F 1/04; A24F
1/06; A24F 1/08; A24F 1/14; A24F 1/26;
A24F 7/00; A24F 7/02; A24F 7/04; A24F
1/28
See application file for complete search history.

(57) **CLAIM**

The ornamental design for an electronic cigarette atomizer, as shown and described.

DESCRIPTION

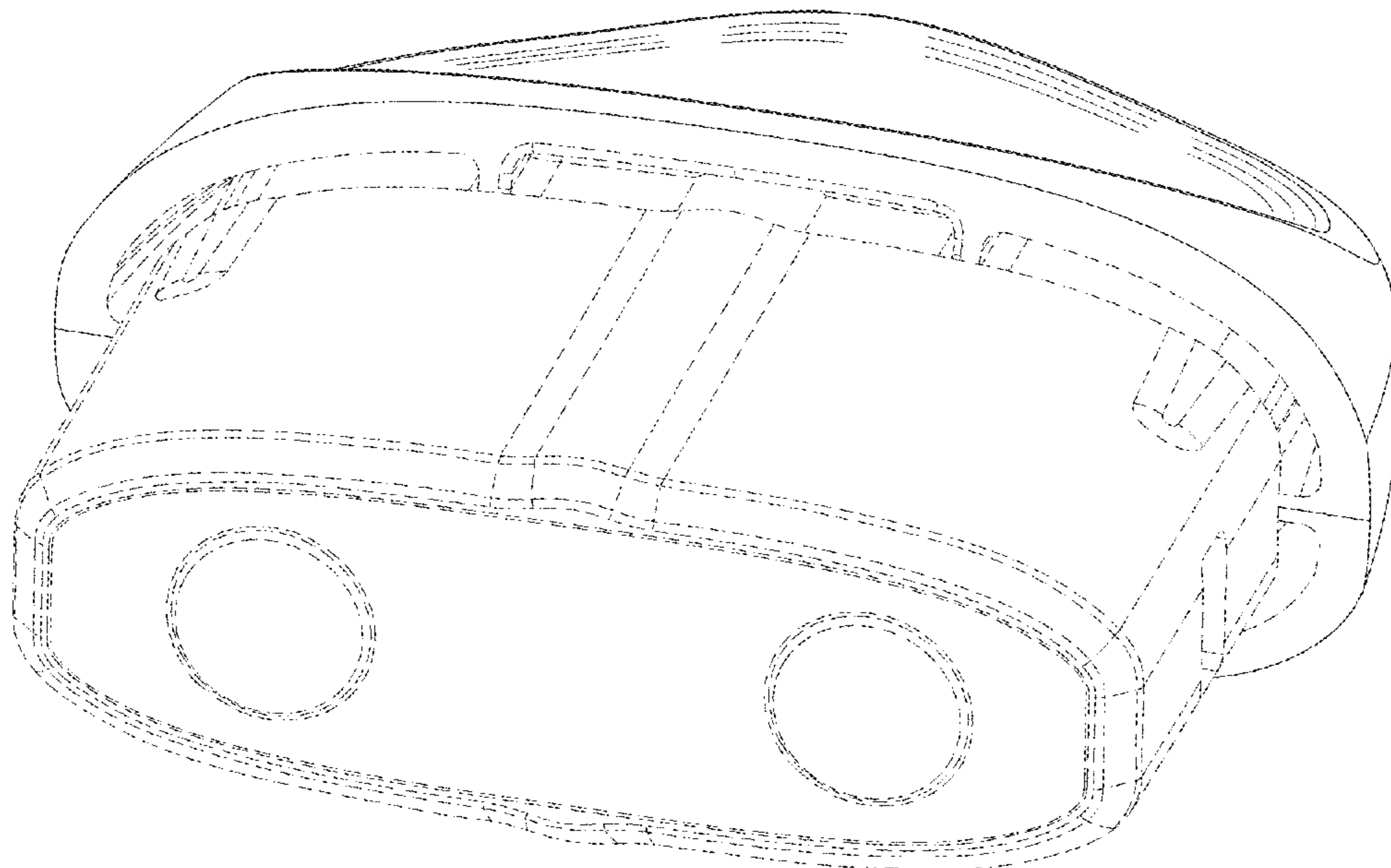
FIG. 1 is a first perspective view of an electronic cigarette atomizer showing my new design;
 FIG. 2 is a second perspective view thereof;
 FIG. 3 is a front elevational view thereof;
 FIG. 4 is a back elevational view thereof;
 FIG. 5 is a left side elevational view thereof;
 FIG. 6 is a right side elevational view thereof;
 FIG. 7 is a top plan view thereof; and,
 FIG. 8 is a bottom plan view thereof.
 The broken lines immediately adjacent to the claim as shown in the drawings represent boundaries of the claimed design, which form no part of the claimed design.

1 Claim, 7 Drawing Sheets

(56) **References Cited**

U.S. PATENT DOCUMENTS

D424,739 S *	5/2000	Ross	D27/170
D505,865 S *	6/2005	Seizer	D9/688
D527,815 S *	9/2006	Nishibayashi	D24/110



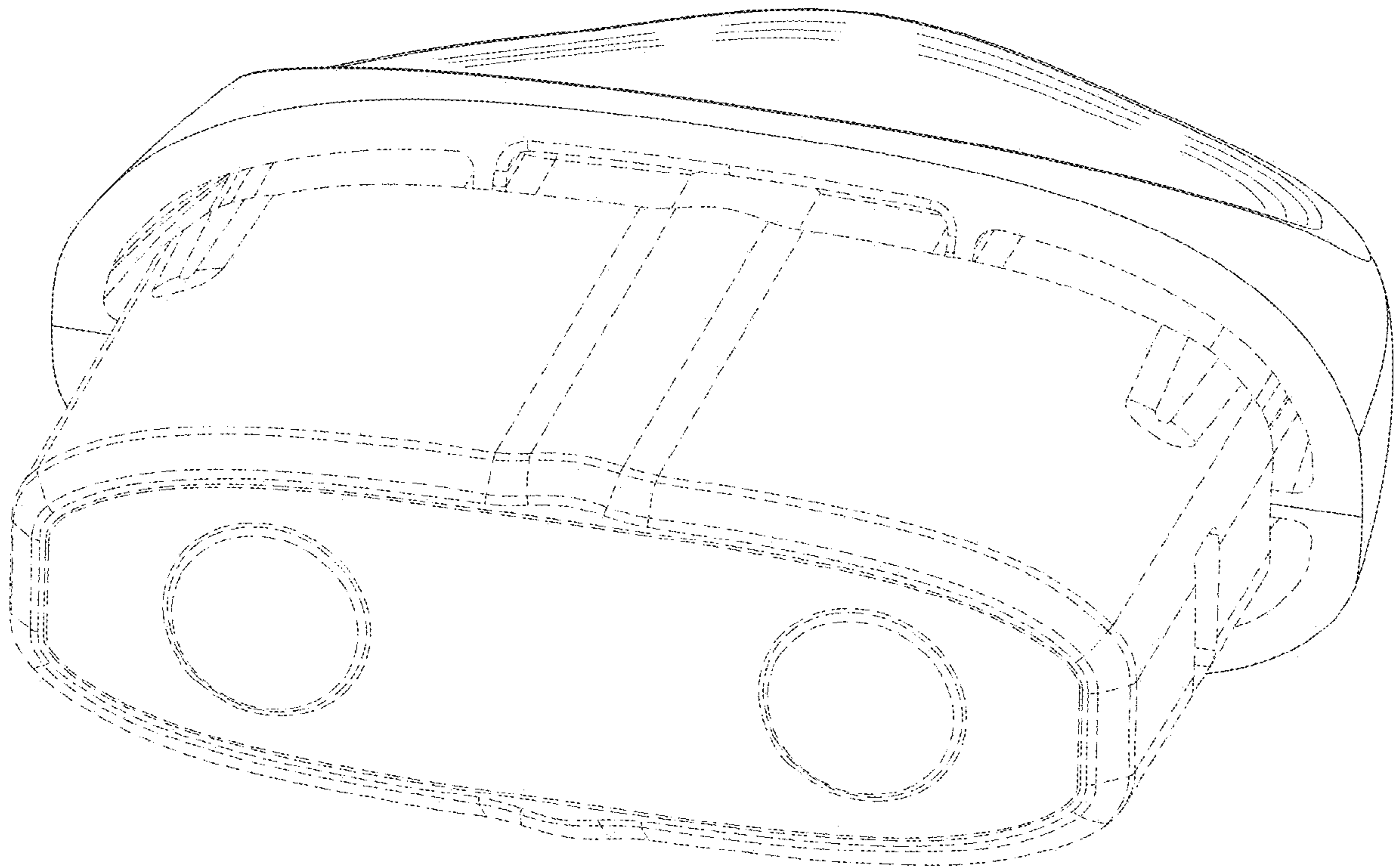


FIG. 1

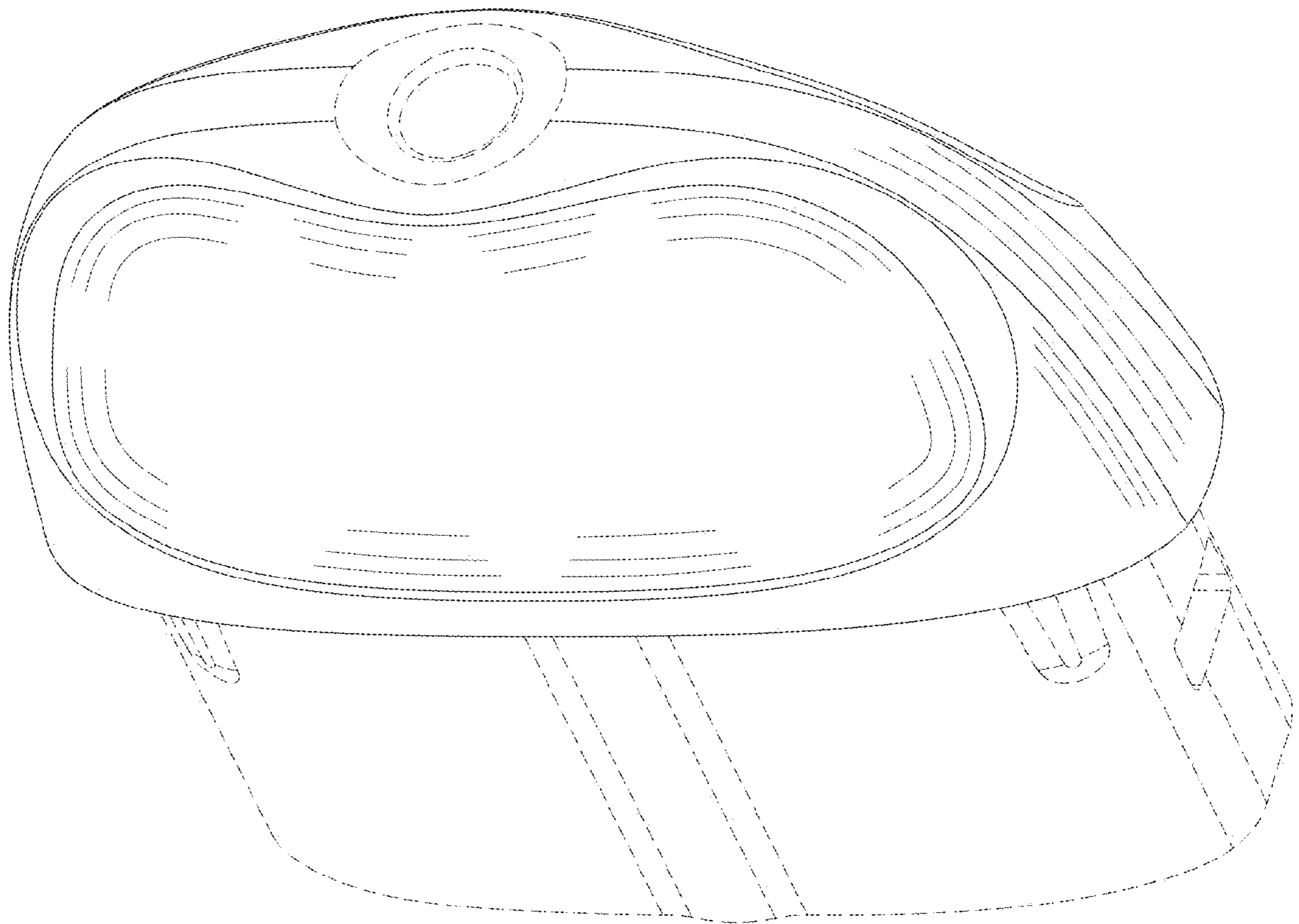


FIG. 2

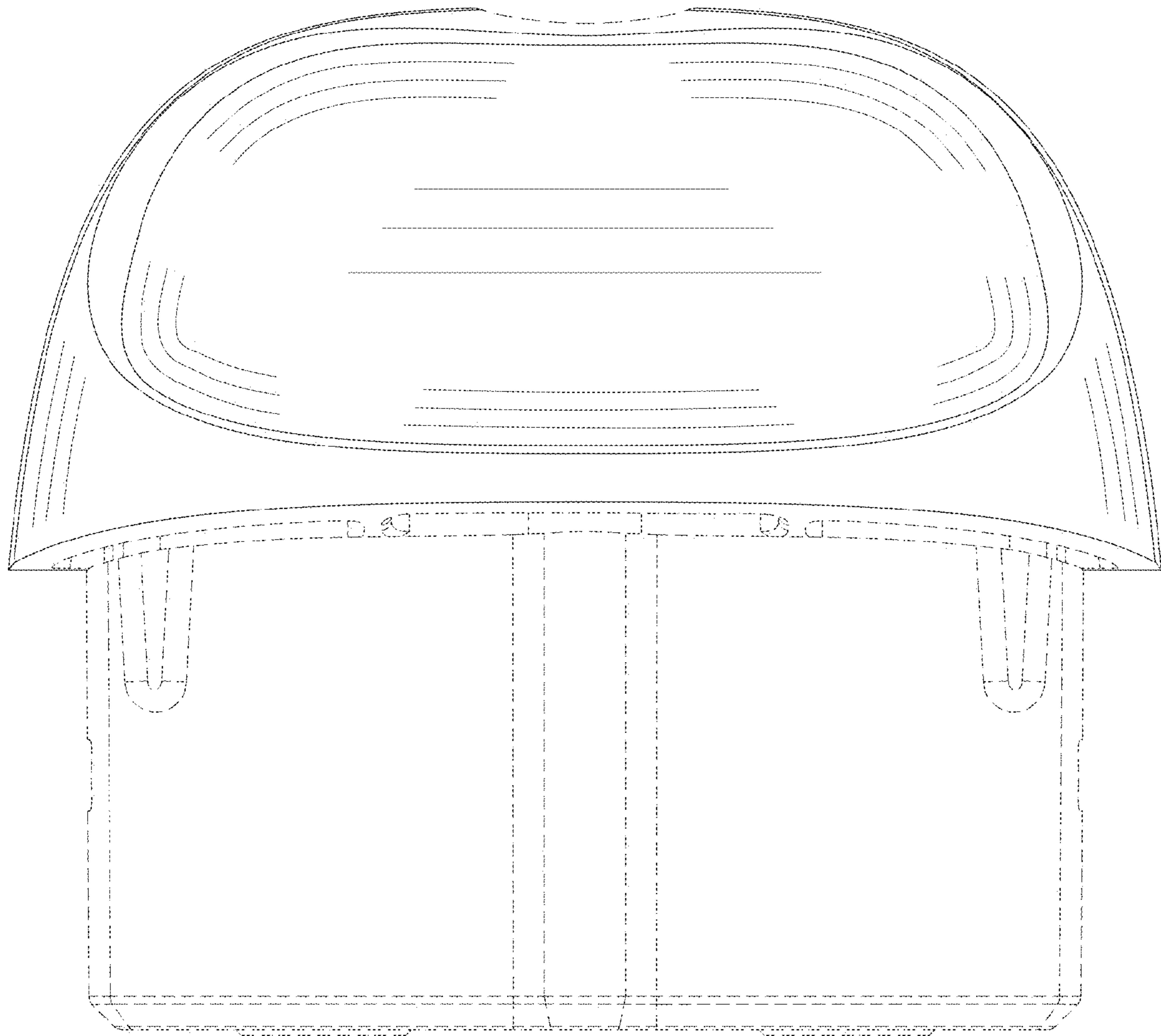


FIG. 3

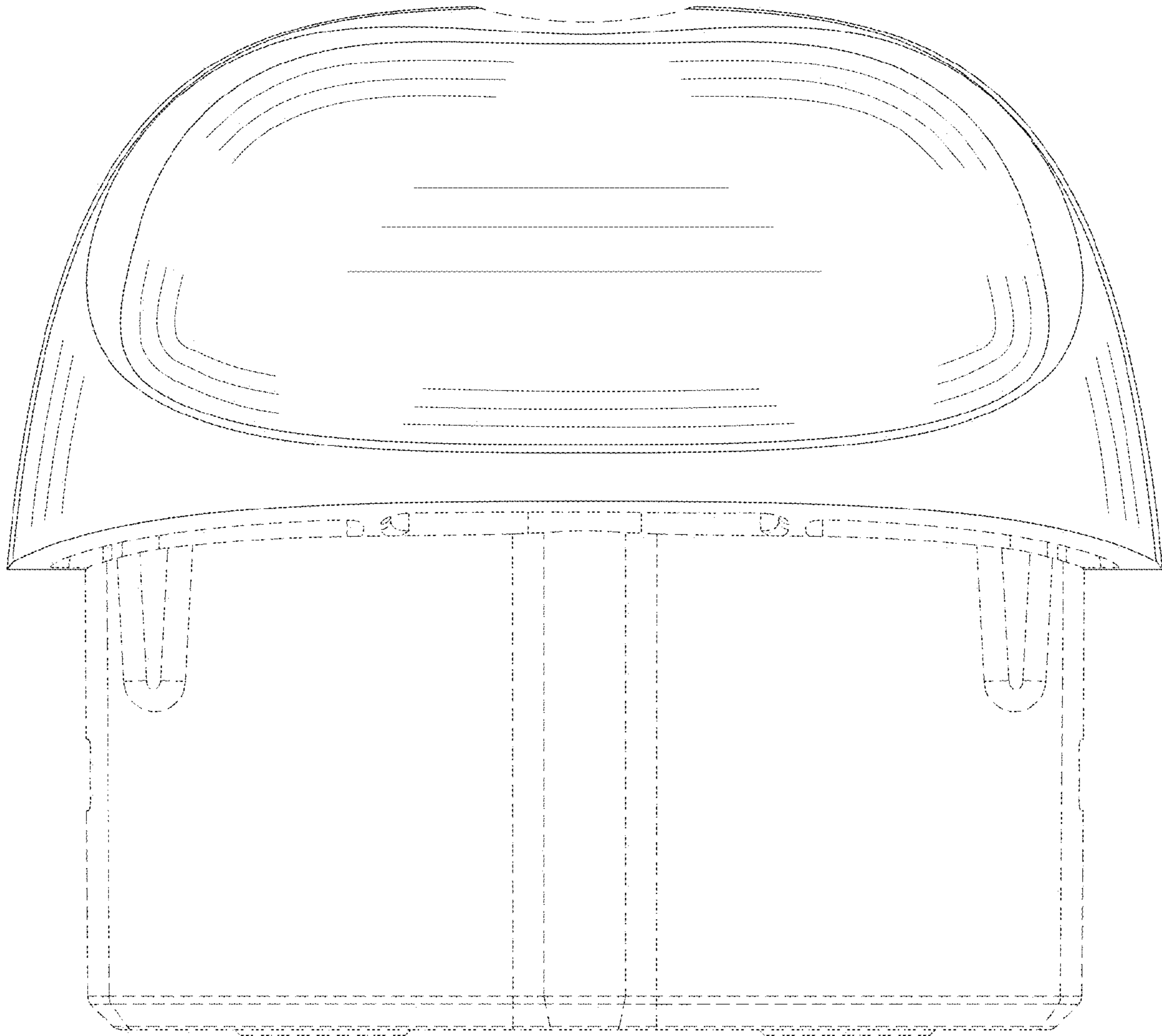


FIG. 4

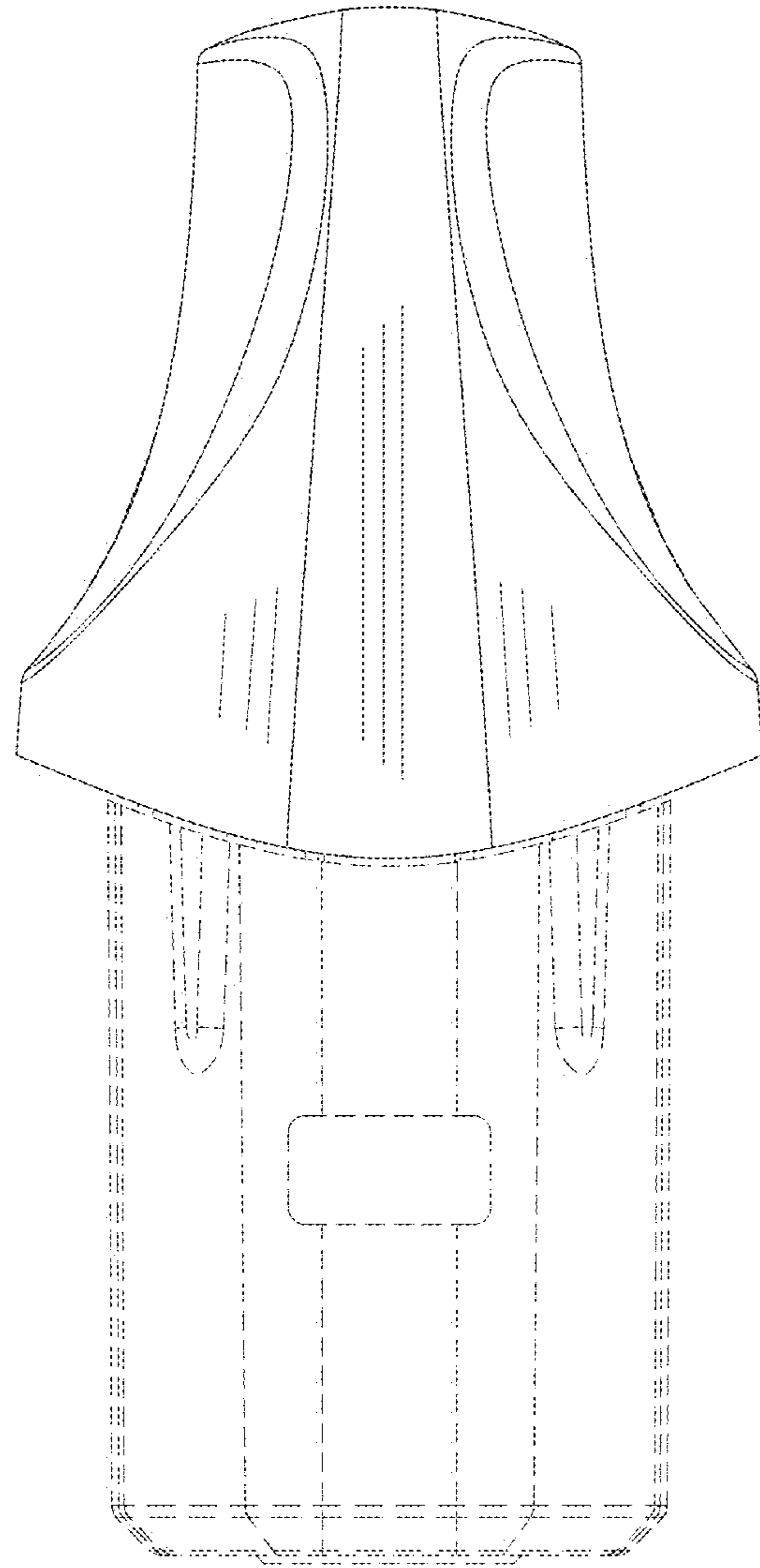


FIG. 5

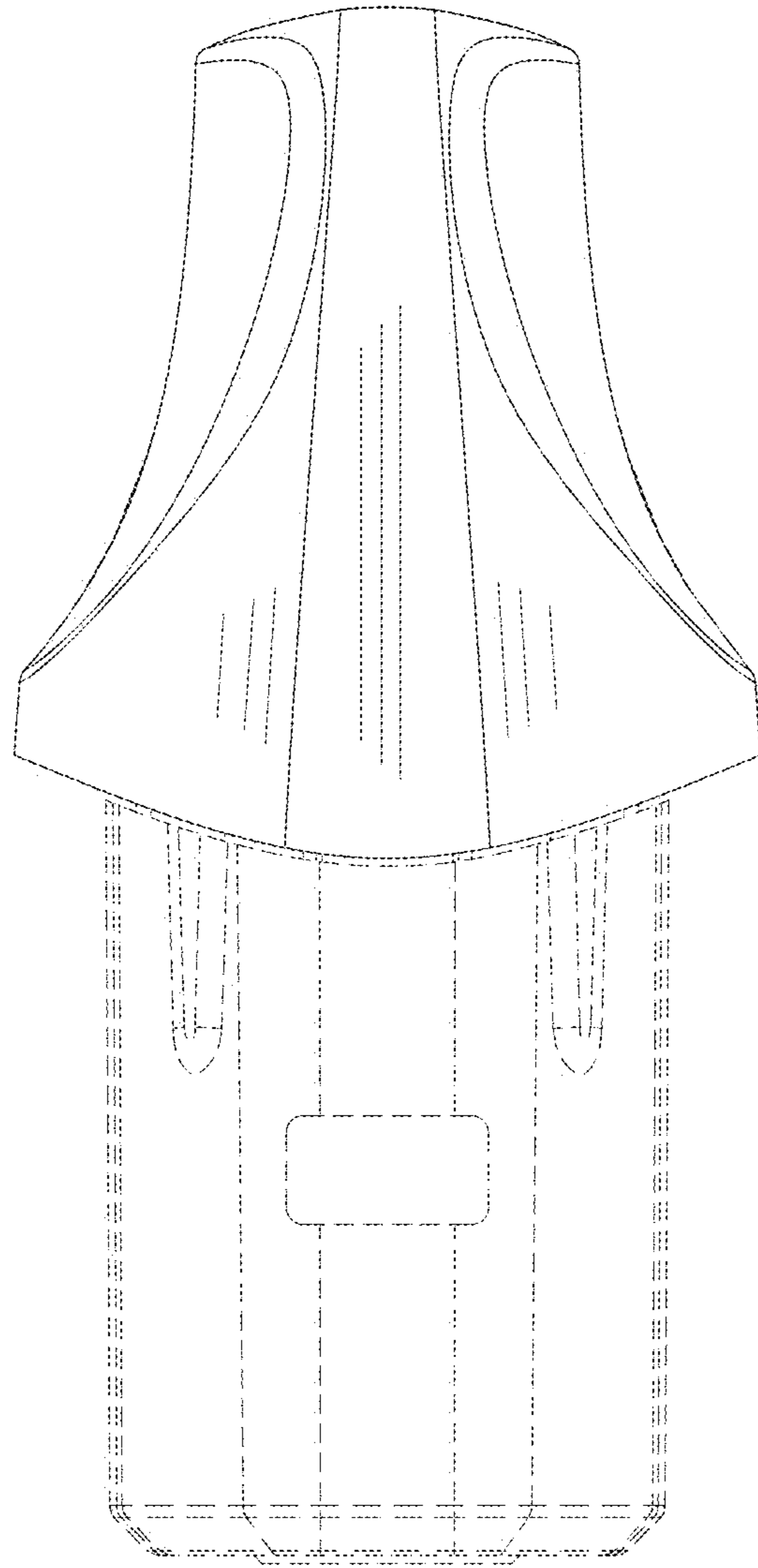


FIG. 6

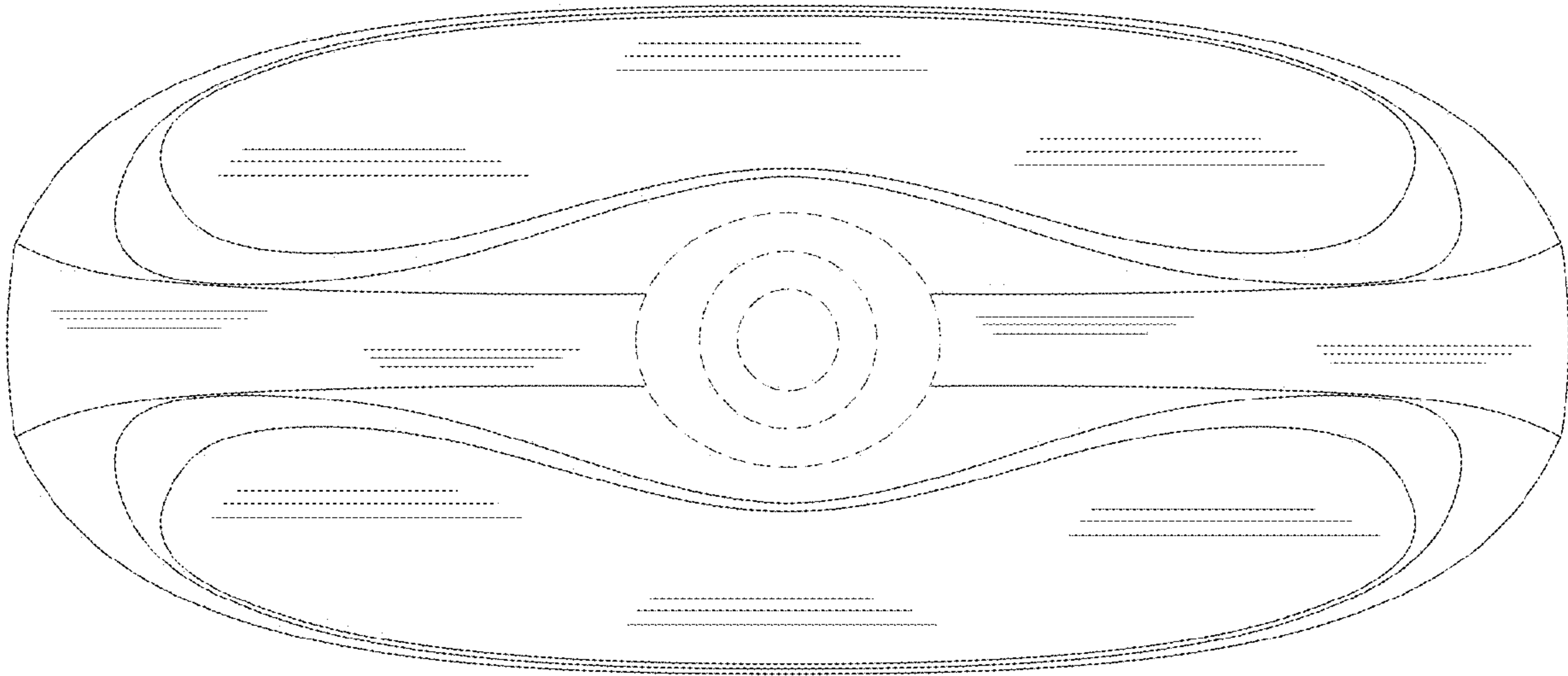


FIG. 7

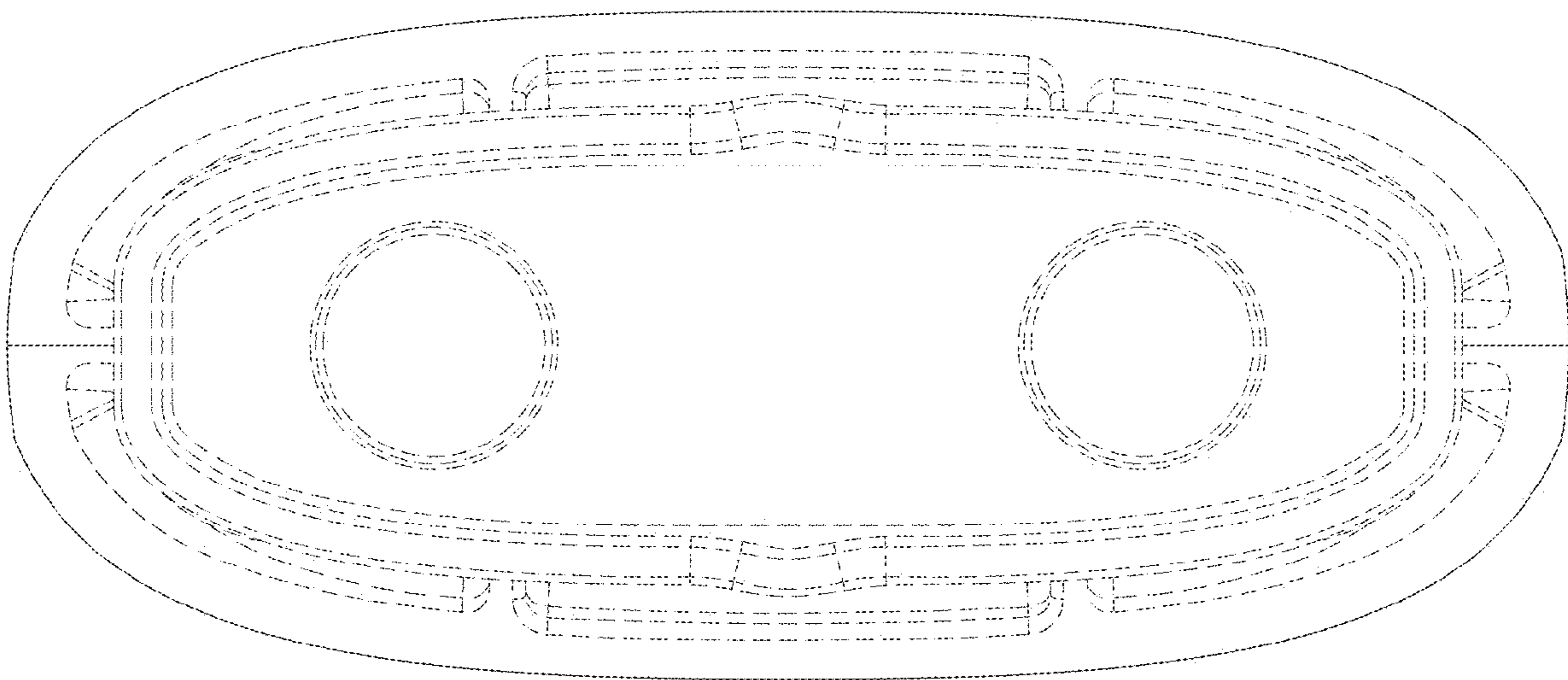


FIG. 8

UNITED STATES PATENT AND TRADEMARK OFFICE
CERTIFICATE OF CORRECTION

PATENT NO. : D880,060 S
APPLICATION NO. : 29/682485
DATED : March 31, 2020
INVENTOR(S) : Zhiping Chen

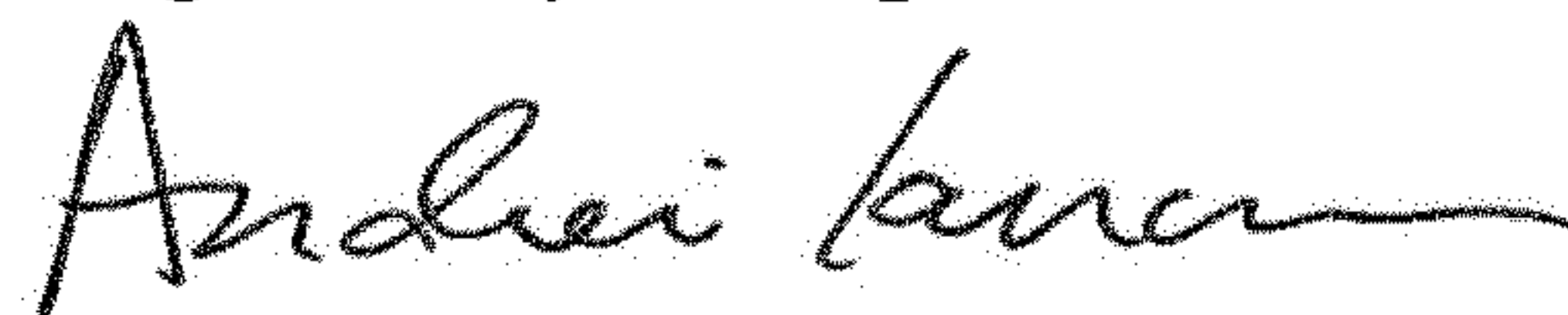
Page 1 of 1

It is certified that error appears in the above-identified patent and that said Letters Patent is hereby corrected as shown below:

On the Title Page

Item (30) Foreign Application Priority Data should read:
Apr. 25, 2017 (CN) 201730143931.1

Signed and Sealed this
Eighth Day of September, 2020



Andrei Iancu
Director of the United States Patent and Trademark Office