



US00D880059S

(12) **United States Design Patent**  
**Goldstein**

(10) **Patent No.:** **US D880,059 S**

(45) **Date of Patent:** **\*\* Mar. 31, 2020**

(54) **VAPING DEVICE WITH MARKER CASE ASSEMBLY**

(71) Applicant: **Avraham Goldstein**, West Hempstead, NY (US)

(72) Inventor: **Avraham Goldstein**, West Hempstead, NY (US)

(\*\*) Term: **15 Years**

(21) Appl. No.: **29/663,974**

(22) Filed: **Sep. 20, 2018**

(51) **LOC (12) Cl.** ..... **27-06**

(52) **U.S. Cl.**  
USPC ..... **D27/177**

(58) **Field of Classification Search**

USPC ..... D27/162, 100, 101, 163–165, 172, 183, D27/185–192, 194; D24/110, 110.5; 131/273, 274, 191, 328, 329, 330; 128/202.21, 203.12; D19/115, 123, D19/163–166, 168

CPC .... A24F 47/002; A24F 47/004; A24F 47/006; A24F 47/008; A61M 15/00; A61M 15/06

See application file for complete search history.

(56) **References Cited**

**U.S. PATENT DOCUMENTS**

- 6,431,177 B1 \* 8/2002 Siegen ..... A24F 13/18  
131/187
- D470,887 S \* 2/2003 Okutani ..... D19/163
- D581,461 S \* 11/2008 Li ..... D19/163
- D598,605 S \* 8/2009 Hodges ..... D27/195
- D608,827 S \* 1/2010 Hung ..... D19/163
- D666,671 S \* 9/2012 Liu ..... D19/168
- D679,322 S \* 4/2013 Martin ..... D19/168
- D701,572 S \* 3/2014 Jiang ..... D19/166
- D736,994 S \* 8/2015 Mittersinker ..... D27/101

- D747,543 S \* 1/2016 Taha ..... D27/163
- D747,827 S \* 1/2016 Taha ..... D27/163
- D753,339 S \* 4/2016 Greeley ..... D27/162
- D753,340 S \* 4/2016 Taha ..... D27/163
- D782,729 S \* 3/2017 Wright ..... D27/101
- D866,061 S \* 11/2019 Lalehzadeh ..... D27/162

\* cited by examiner

*Primary Examiner* — Marissa J Cash

*Assistant Examiner* — Rebecca Tsehaye

(57) **CLAIM**

I claim the ornamental design for a vaping device with marker case assembly, as shown and described.

**DESCRIPTION**

FIG. 1 is a perspective view of the a vaping device with marker case assembly of the claimed design, showing the cap applied to the top end of the device;

FIG. 2 is a perspective view of the device of FIG. 1, showing the cap removed from the top end of the device;

FIG. 3 is a perspective view of the device of FIG. 1, showing the cap and marker piece removed from the top end of the device;

FIG. 4 is another perspective view of the device of FIG. 1, showing the cap removed from the top end of the device;

FIG. 5 is another perspective view of the device of FIG. 1, showing the cap and marker piece removed from the top end of the device;

FIG. 6 is a front side view of the device of FIG. 1;

FIG. 7 is a back side view of the device of FIG. 1;

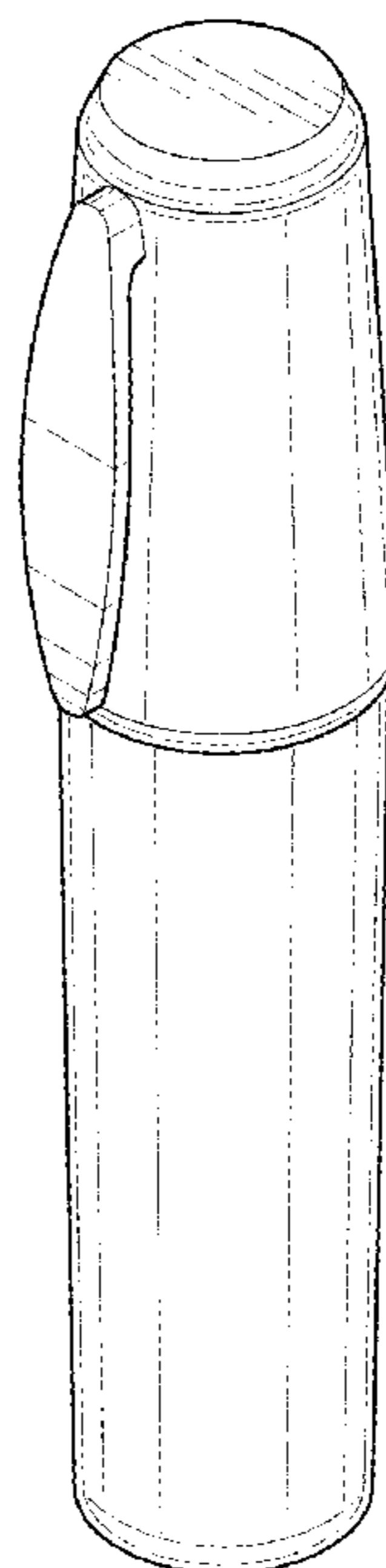
FIG. 8 is a left side view of the device of FIG. 1;

FIG. 9 is a right side view of the device of FIG. 1;

FIG. 10 is a top side view of the device of FIG. 1; and,

FIG. 11 is a bottom side view of the device of FIG. 1.

**1 Claim, 6 Drawing Sheets**



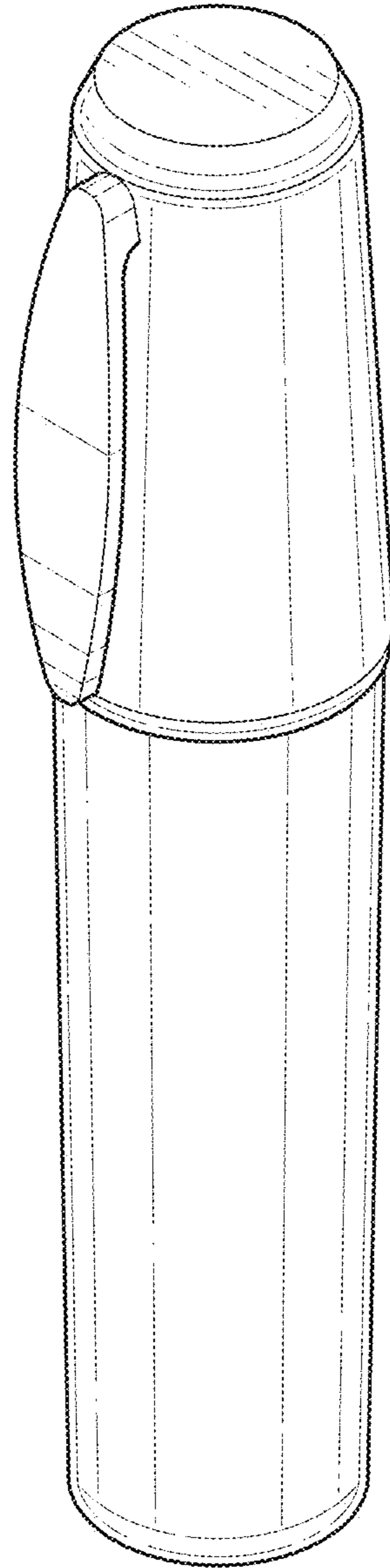


FIG. 1

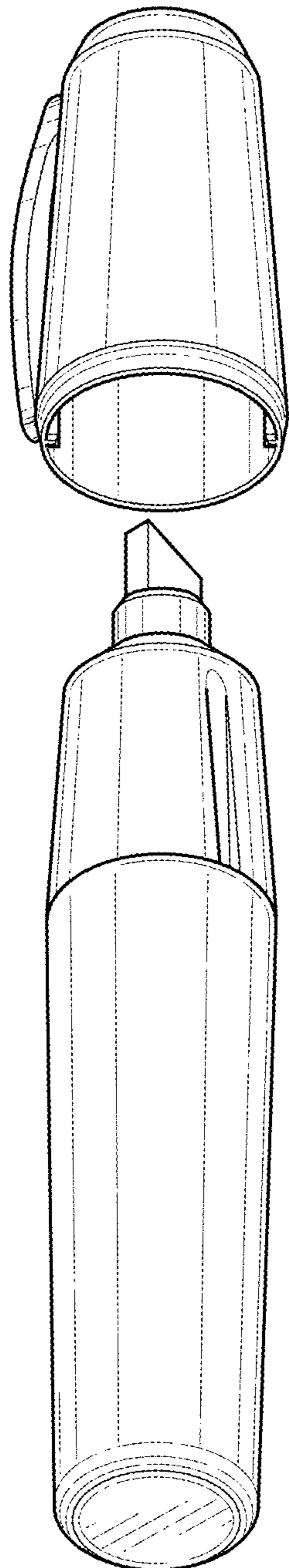


FIG. 2

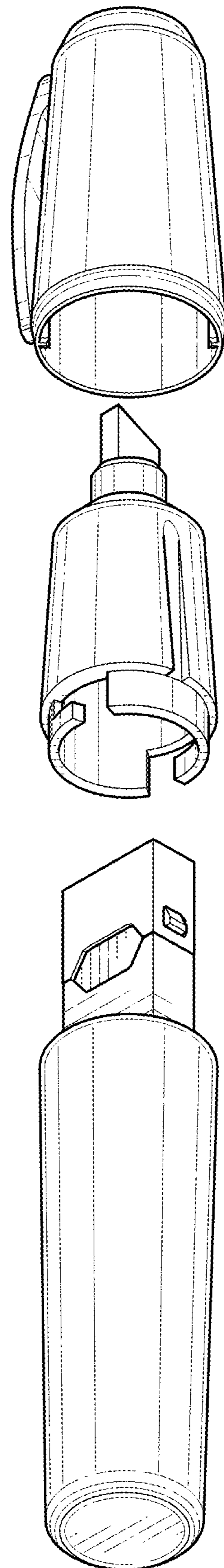


FIG. 3

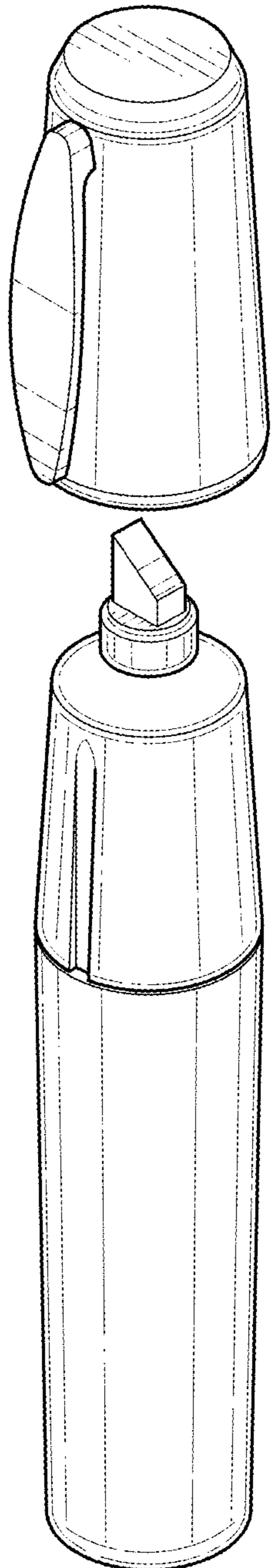


FIG. 4

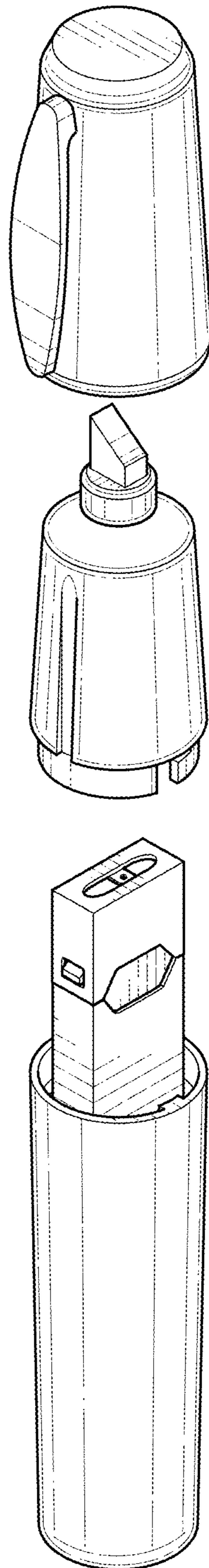


FIG. 5

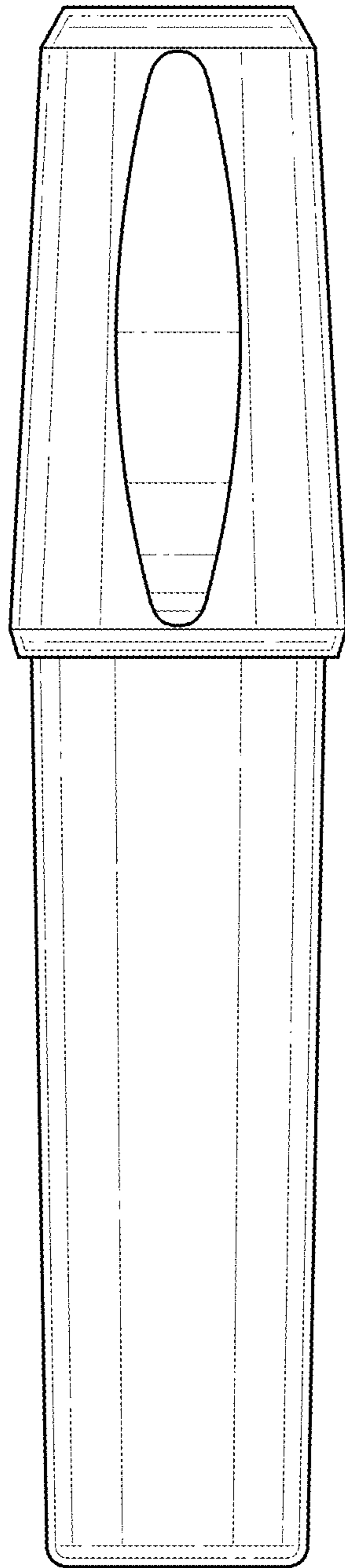


FIG. 6

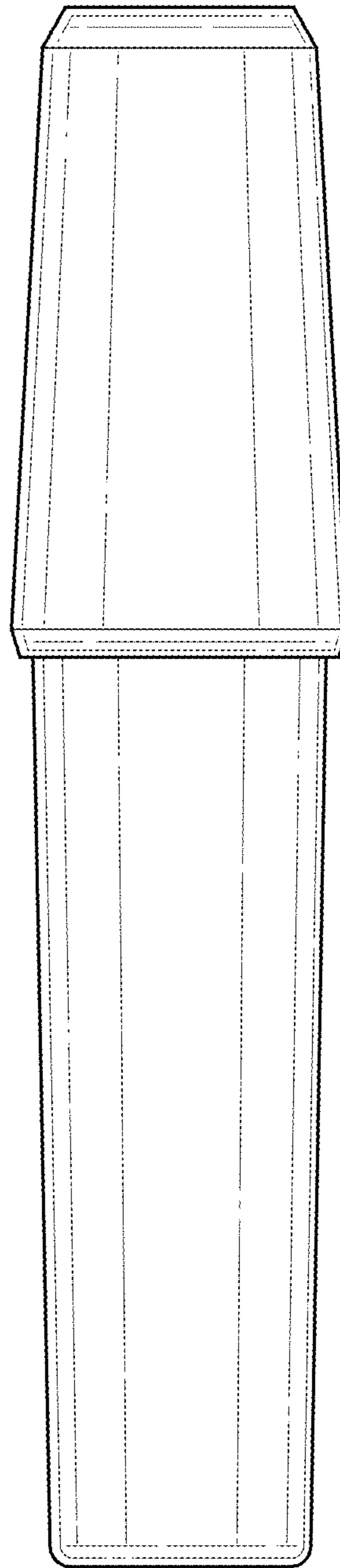
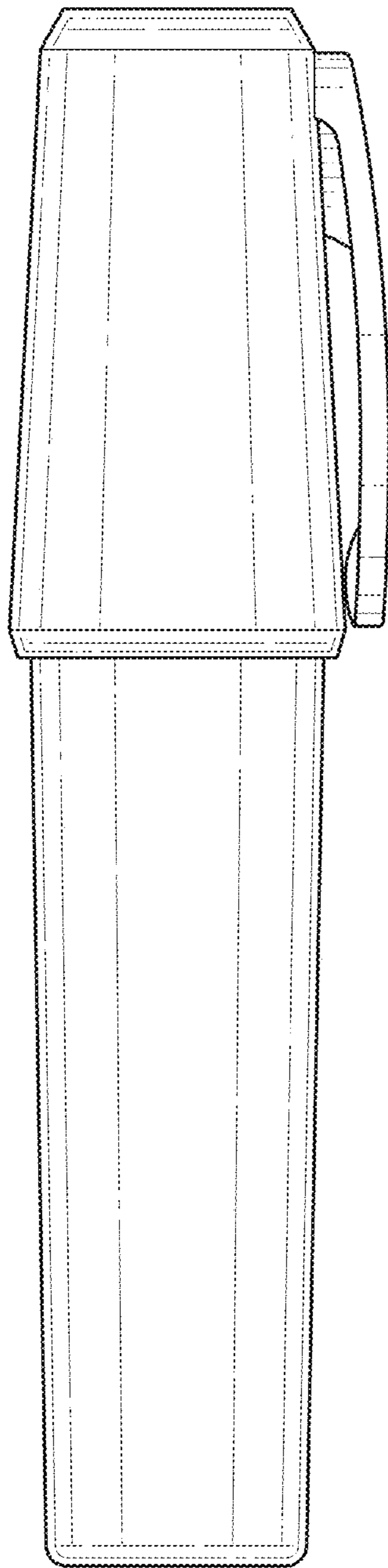
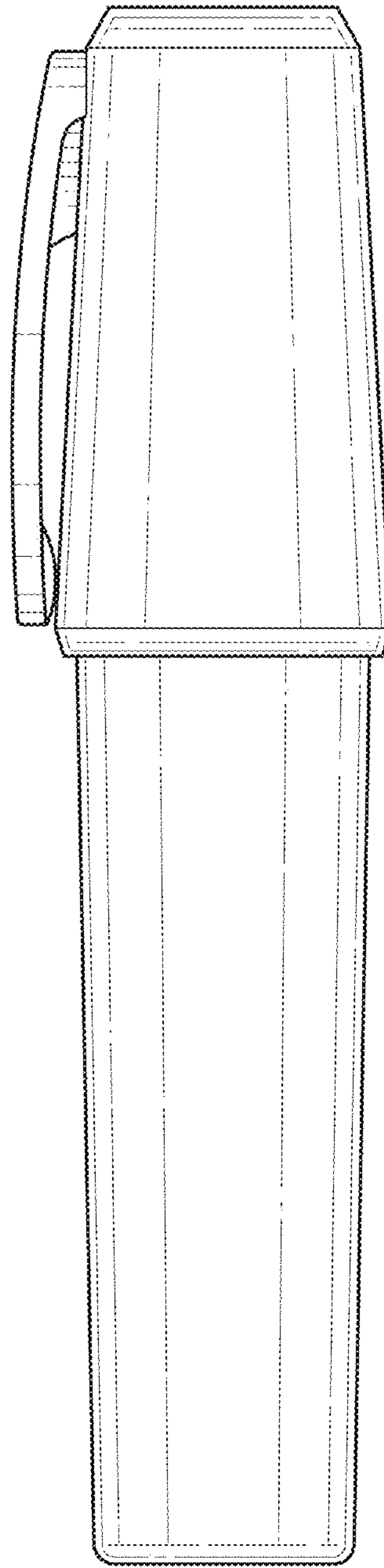


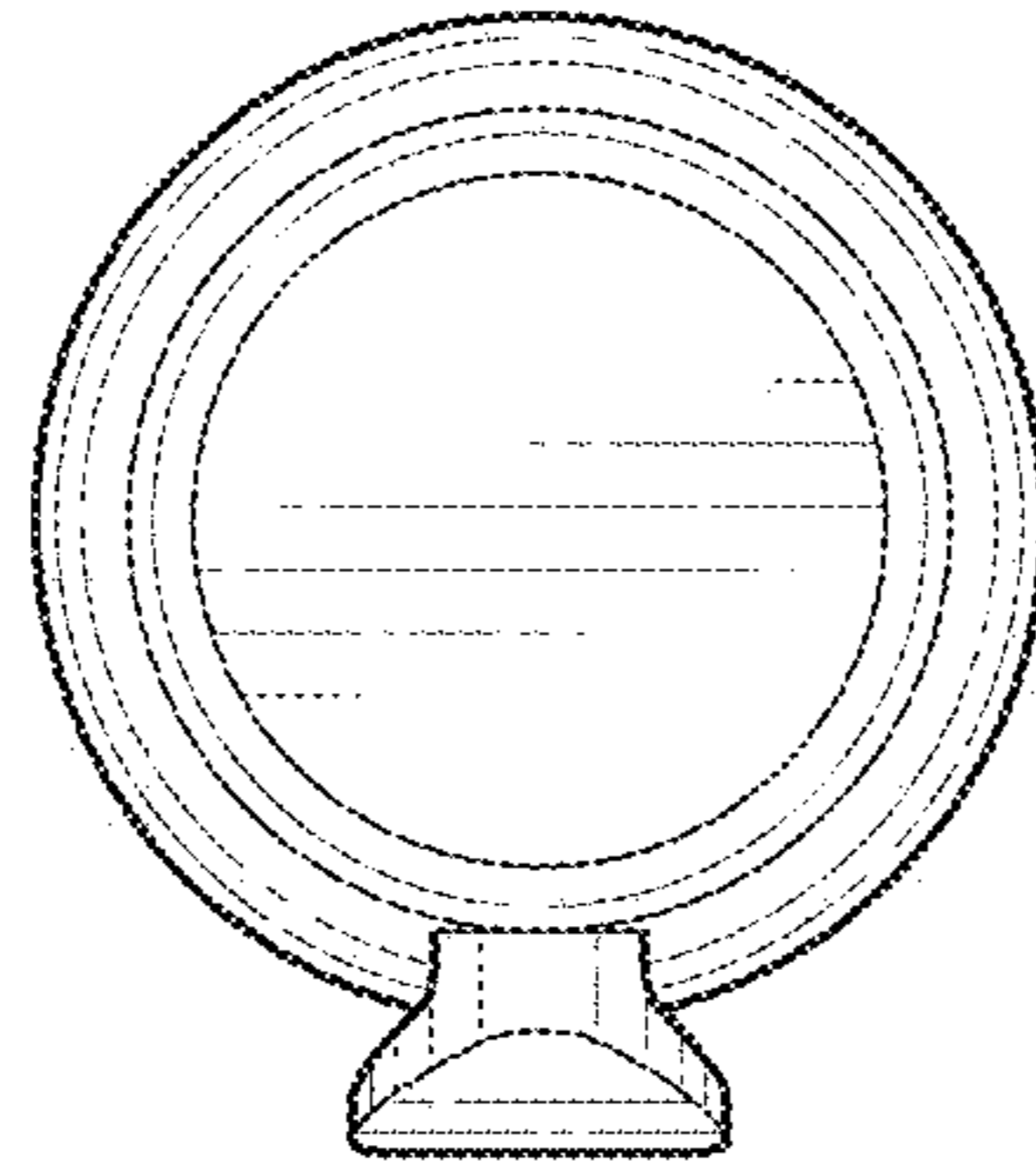
FIG. 7



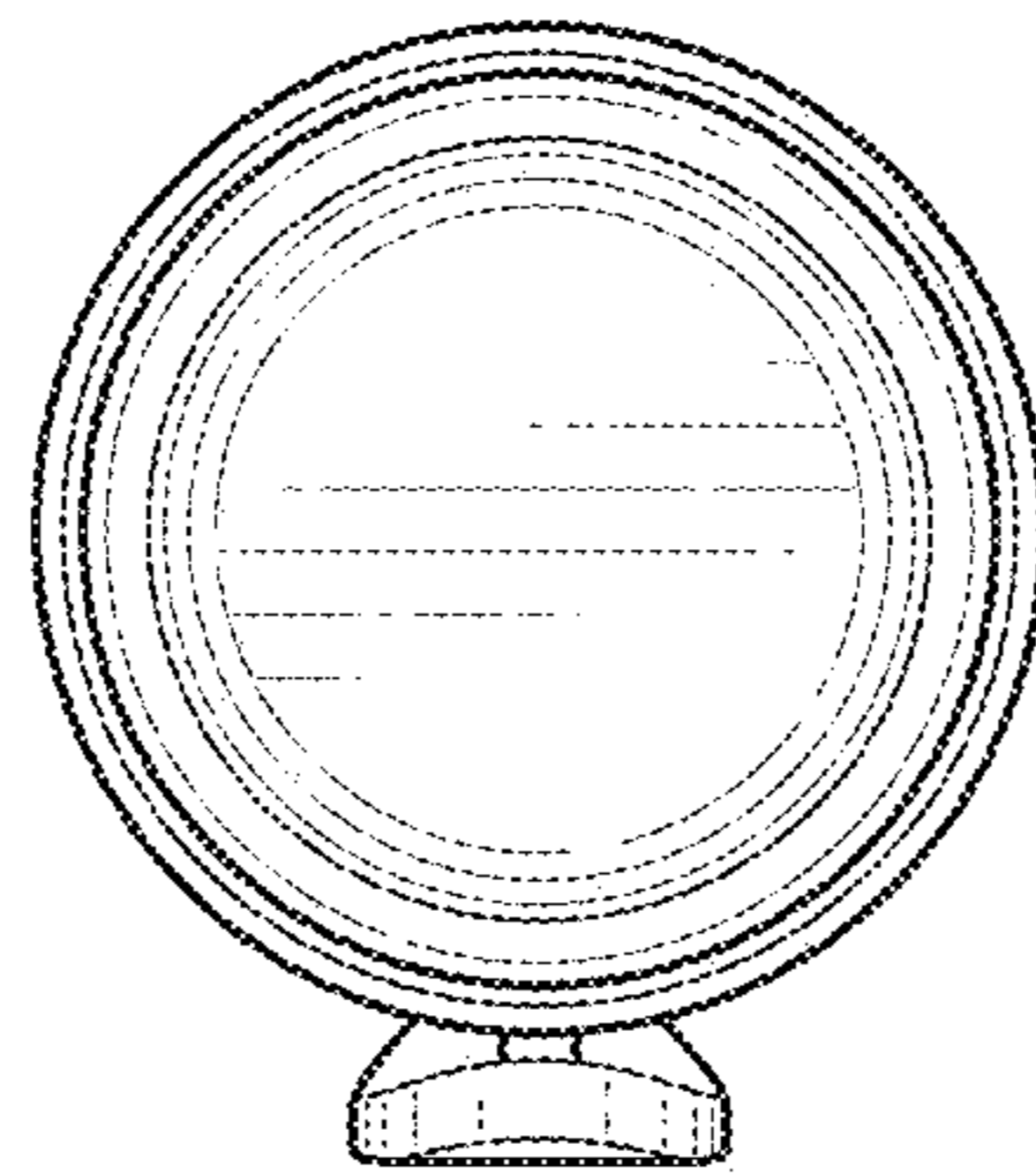
**FIG. 8**



**FIG. 9**



**FIG. 10**



**FIG. 11**