



US00D880057S

(12) **United States Design Patent**  
**Young**

(10) **Patent No.:** **US D880,057 S**  
(45) **Date of Patent:** **\*\* Mar. 31, 2020**

(54) **BASEBALL BAT SMOKING PIPE**

- (71) Applicant: **Thomas A. Young**, Brevard, NC (US)
- (72) Inventor: **Thomas A. Young**, Brevard, NC (US)
- (\*\*) Term: **15 Years**
- (21) Appl. No.: **29/669,825**
- (22) Filed: **Nov. 12, 2018**
- (51) **LOC (12) Cl.** ..... **27-02**
- (52) **U.S. Cl.**  
USPC ..... **D27/165**
- (58) **Field of Classification Search**  
USPC ..... D27/165, 100, 101, 162-164, 172, 174,  
D27/175, 183, 185-192, 194; D24/110,  
D24/110.5; 128/202.21, 203.12;  
131/257, 259, 187, 240.1, 273, 274, 270,  
131/191, 328, 329, 330, 360-365  
CPC ..... A24F 47/002; A24F 47/006; A24F 47/008  
See application file for complete search history.

(56) **References Cited**

**U.S. PATENT DOCUMENTS**

6,827,659	B1 *	12/2004	Chen	.....	A63B 59/52 473/564
D652,463	S *	1/2012	Hoff	.....	D21/725
D694,150	S *	11/2013	Jennings	.....	D11/157
D702,302	S *	4/2014	Rockhill	.....	A63B 69/3638 D21/725
D724,780	S *	3/2015	Wu	.....	D27/101
D739,979	S *	9/2015	Smith	.....	D27/163
D785,109	S *	4/2017	Clark	.....	D21/725
D803,331	S *	11/2017	Santorelli	.....	D21/725
D830,483	S *	10/2018	Jo	.....	D21/725
D851,717	S *	6/2019	Zawitz	.....	D21/725
D860,349	S *	9/2019	Santorelli	.....	D21/725
2005/0124441	A1 *	6/2005	Botten	.....	B27D 1/086 473/564
2011/0224033	A1 *	9/2011	Wabnitz	.....	A63B 60/14 473/564
2016/0129325	A1 *	5/2016	Lindsay	.....	A63B 59/06 473/564

**OTHER PUBLICATIONS**

<https://www.pinterest.com/pin/785244885000283330> (Oct. 6, 2019).\*  
Baseball smoking pipes, Search results from Alibaba.com, Accessed  
Oct. 29, 2018, 7 pages.

\* cited by examiner

*Primary Examiner* — Marissa J Cash  
*Assistant Examiner* — Rebecca Tsehaye  
(74) *Attorney, Agent, or Firm* — Luedeka Neely Group,  
P.C.

(57) **CLAIM**

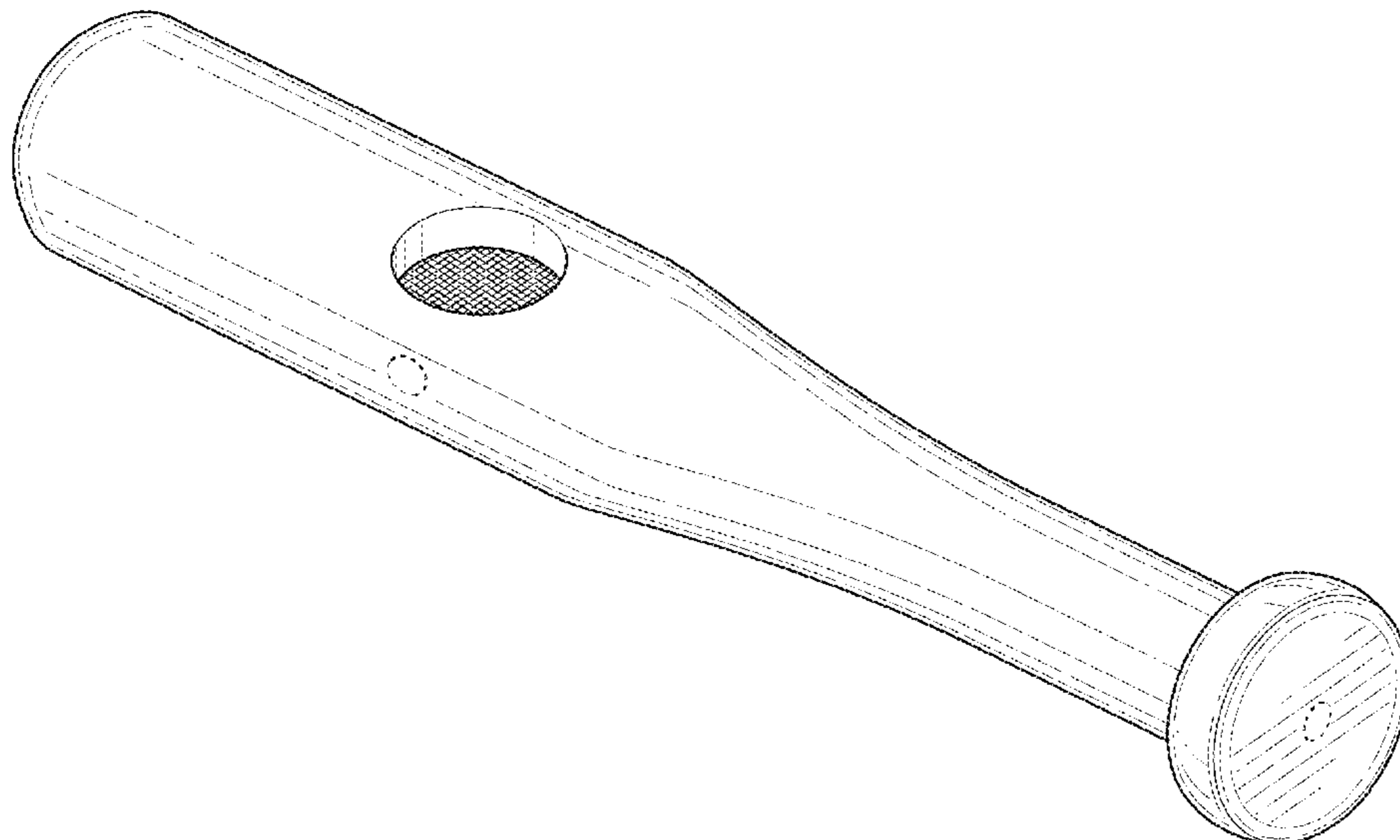
The ornamental design for a baseball bat smoking pipe, as  
shown and described.

**DESCRIPTION**

FIG. 1 is a top perspective view of a baseball bat smoking  
pipe of my new design;  
FIG. 2 is an overhead elevational view of the baseball bat  
smoking pipe of FIG. 1,  
FIG. 3 is a underneath elevational view of the baseball bat  
smoking pipe of FIGS. 1-2;  
FIG. 4 is a first side elevation view of the baseball bat  
smoking pipe of FIGS. 1-3;  
FIG. 5 is a second side elevational view of the baseball bat  
smoking pipe of FIGS. 1-4;  
FIG. 6 is a top plan view of the baseball bat smoking pipe  
of FIGS. 1-5; and,  
FIG. 7 a bottom plan view of the baseball bat smoking pipe  
of FIGS. 1-6.

The broken lines in the drawings immediately adjacent  
shaded surfaces depict a boundary of the claim that forms no  
part thereof. All other broken lines depict portions of the  
baseball bat smoking pipe that form no part of the claimed  
design.

**1 Claim, 4 Drawing Sheets**



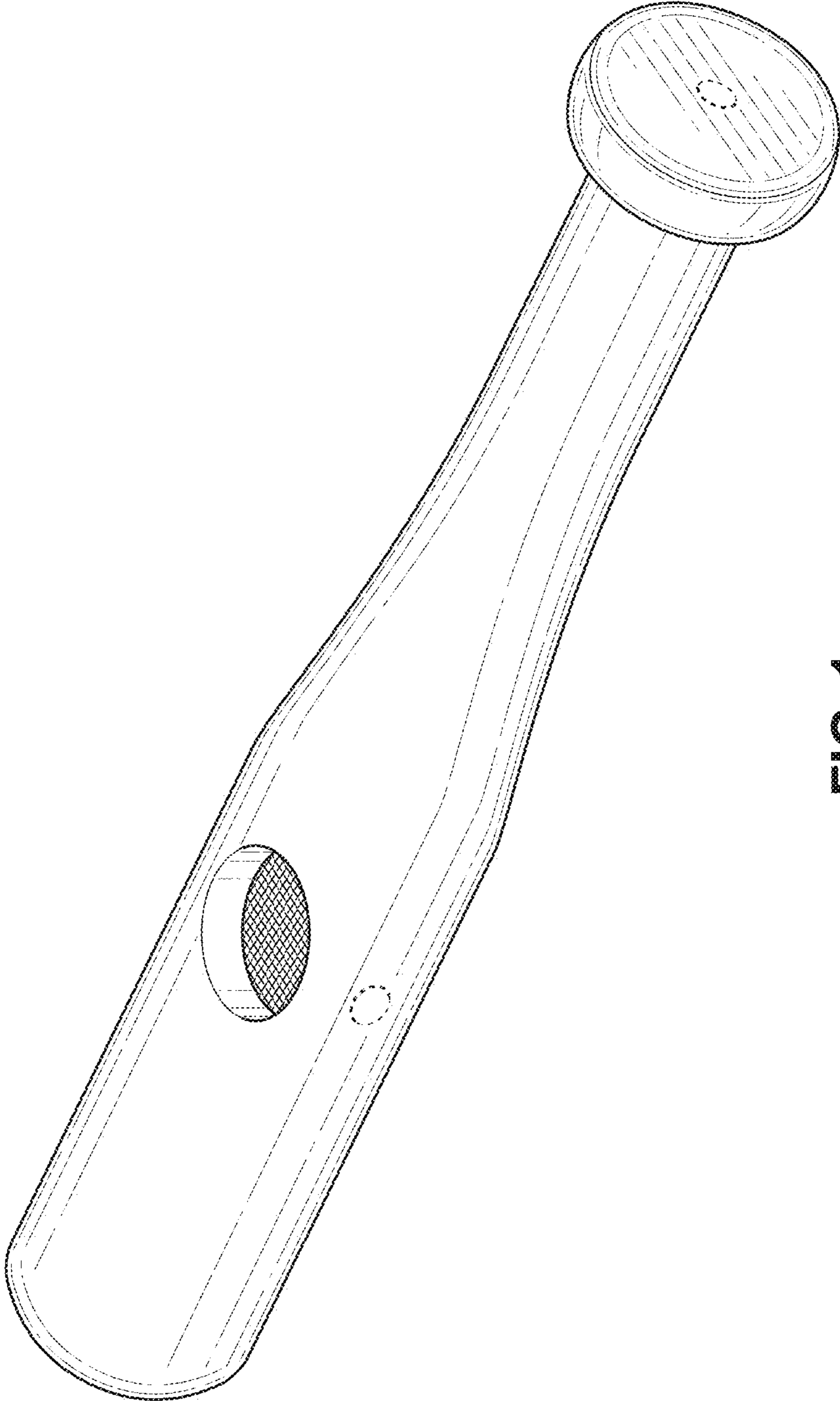


FIG. 1

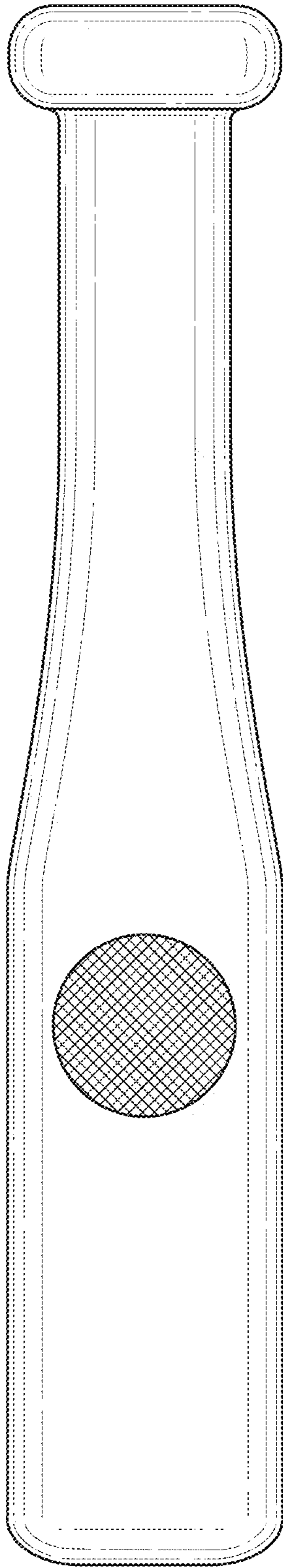


FIG. 2

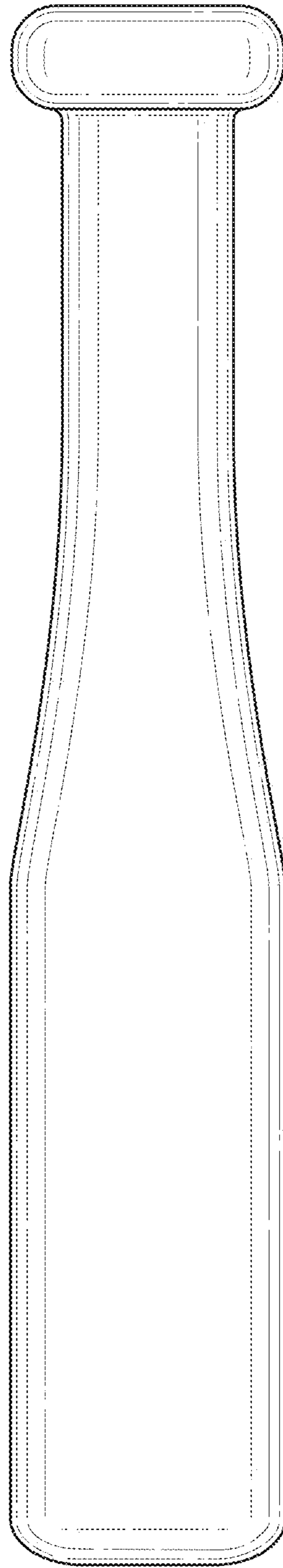


FIG. 3

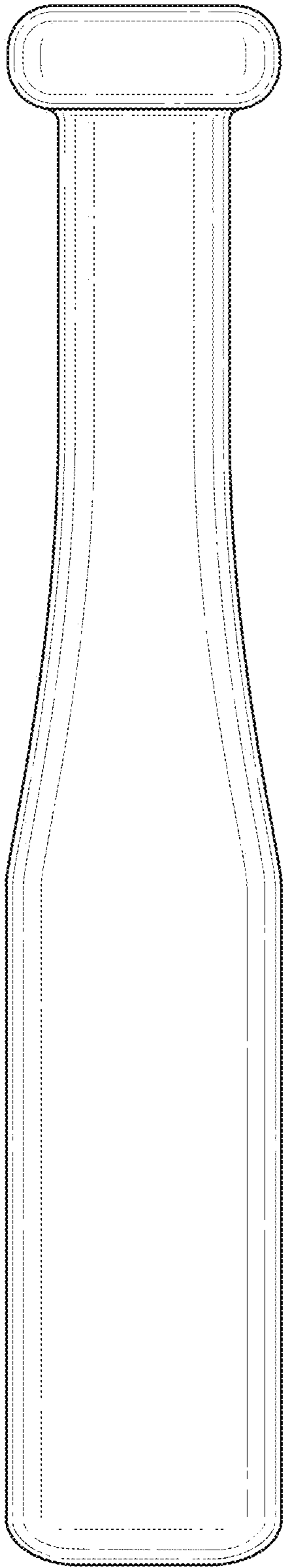


FIG. 4

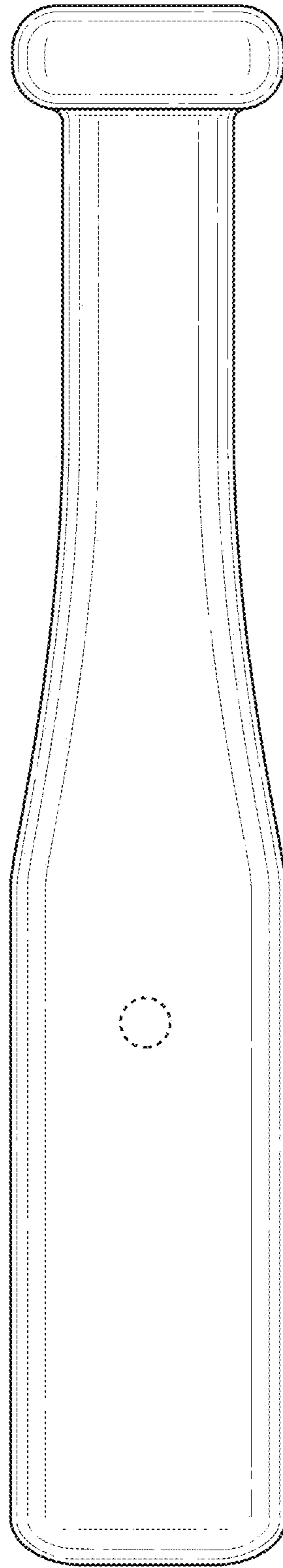


FIG. 5

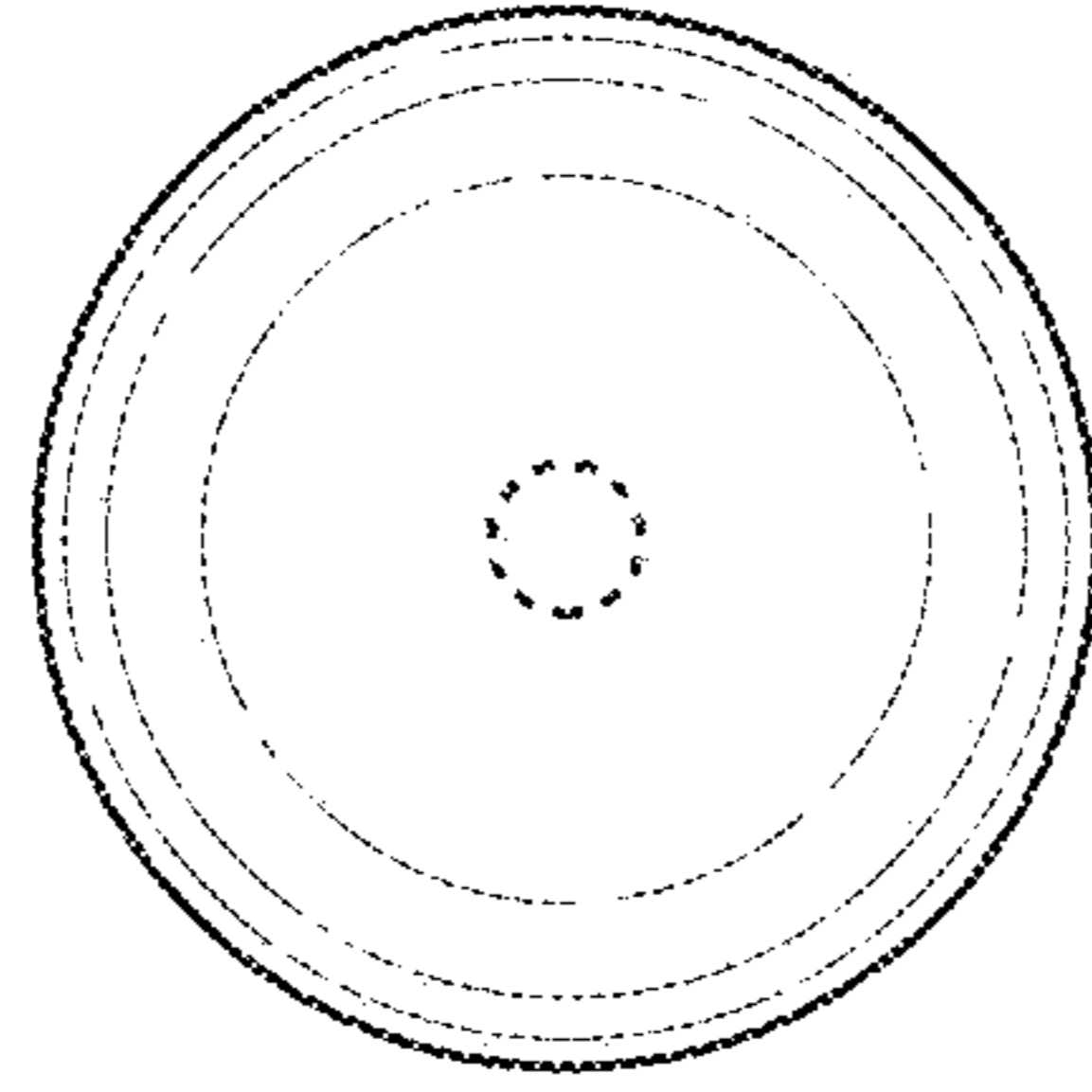


FIG. 7

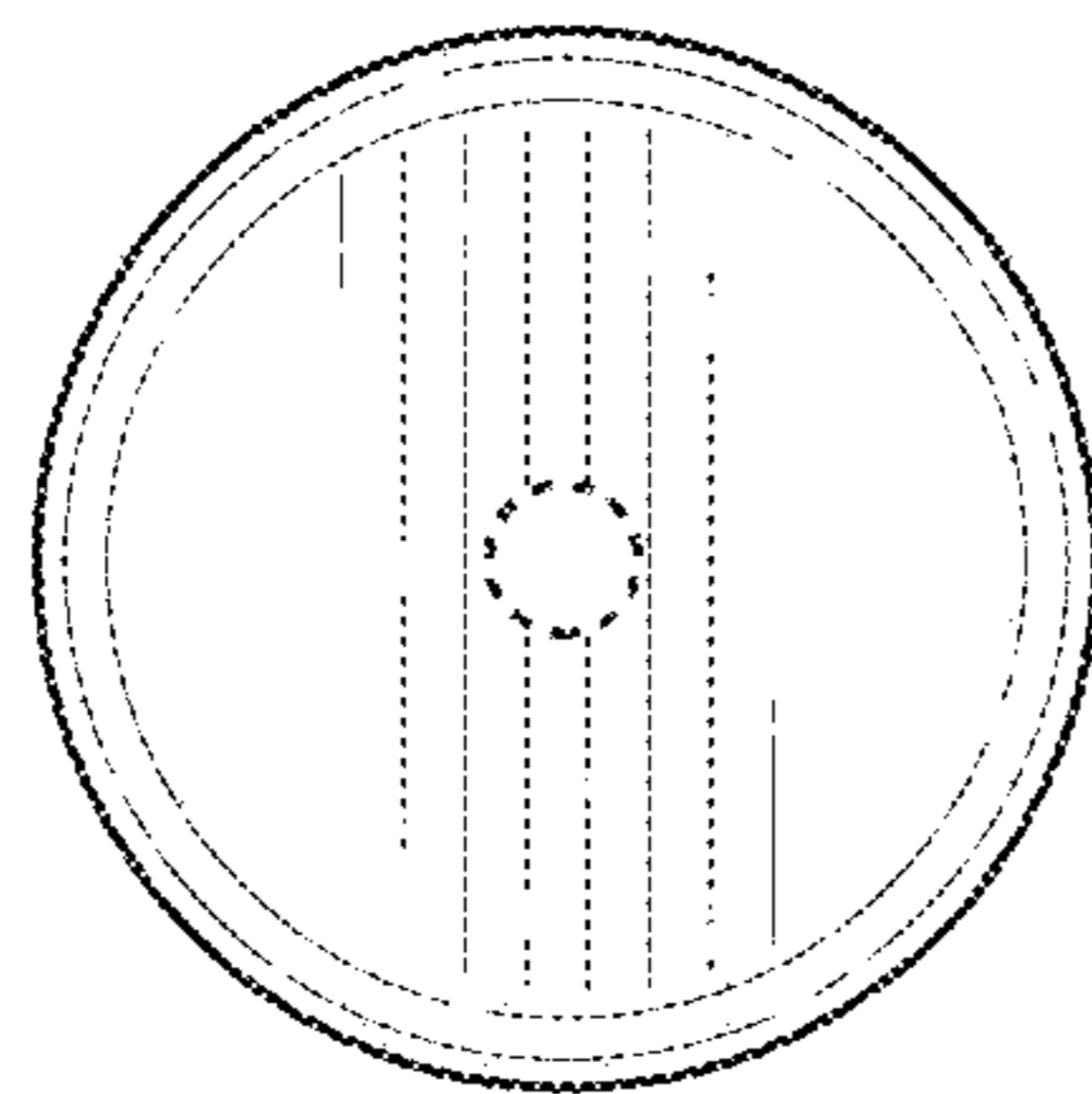


FIG. 6

UNITED STATES PATENT AND TRADEMARK OFFICE  
**CERTIFICATE OF CORRECTION**

PATENT NO. : D880,057 S  
APPLICATION NO. : 29/669825  
DATED : March 31, 2020  
INVENTOR(S) : Cody Siniard

Page 1 of 1

It is certified that error appears in the above-identified patent and that said Letters Patent is hereby corrected as shown below:

On the Title Page

Item (12), delete "Thomas A. Young" and insert --Cody Siniard--

Item (72), should be changed to Cody Siniard, Penrose, NC (US)

Signed and Sealed this  
Seventh Day of June, 2022



Katherine Kelly Vidal  
*Director of the United States Patent and Trademark Office*