



US00D880054S

(12) **United States Design Patent** (10) **Patent No.:** **US D880,054 S**
Barbaric et al. (45) **Date of Patent:** **** Mar. 31, 2020**

(54) **VAPORIZER CARTRIDGE**
(71) Applicant: **Airgraft Inc.**, Montreal (CA)
(72) Inventors: **Mladen Barbaric**, Quebec (CA); **Kisae Kim**, Quebec (CA); **Sungmoon Kim**, Quebec (CA); **Bong Geun Kim**, Quebec (CA)
(73) Assignee: **Airgraft Inc.** (CA)
(**) Term: **15 Years**

7,997,280 B2 8/2011 Rosenthal
D677,000 S * 2/2013 Liu D27/189
D683,844 S * 6/2013 Andrade D24/110
D689,818 S * 9/2013 Sasada D13/107
8,733,346 B2 5/2014 Rinker
8,897,628 B2 11/2014 Conley et al.
8,991,402 B2 3/2015 Bowen et al.
9,408,416 B2 8/2016 Monsees et al.
D765,908 S * 9/2016 Zahr D27/187
D770,090 S * 10/2016 Zahr D27/187
D770,091 S * 10/2016 Zahr D27/187
D771,308 S * 11/2016 Saydar A61M 15/00
D27/163

(Continued)

(21) Appl. No.: **29/666,824**
(22) Filed: **Oct. 16, 2018**
(51) **LOC (12) Cl.** **27-02**
(52) **U.S. Cl.**
USPC **D27/162**
(58) **Field of Classification Search**
USPC D27/163-170, 101, 186-189; D13/103,
D13/107; D23/360, 363, 366; D24/110,
D24/100.5; 128/202.21, 203.12;
131/273, 270, 329, 330, 191
CPC A24F 1/30; A24F 1/02; A24F 1/00; A24F
47/008; A24F 47/002
See application file for complete search history.

FOREIGN PATENT DOCUMENTS

CN 105962427 A 9/2016
WO WO 2017/185051 10/2017

Primary Examiner — Marissa J Cash
Assistant Examiner — Rebecca Tsehaye
(74) *Attorney, Agent, or Firm* — Cooley LLP

(57) **CLAIM**

The ornamental design for a vaporizer cartridge, as shown and described.

DESCRIPTION

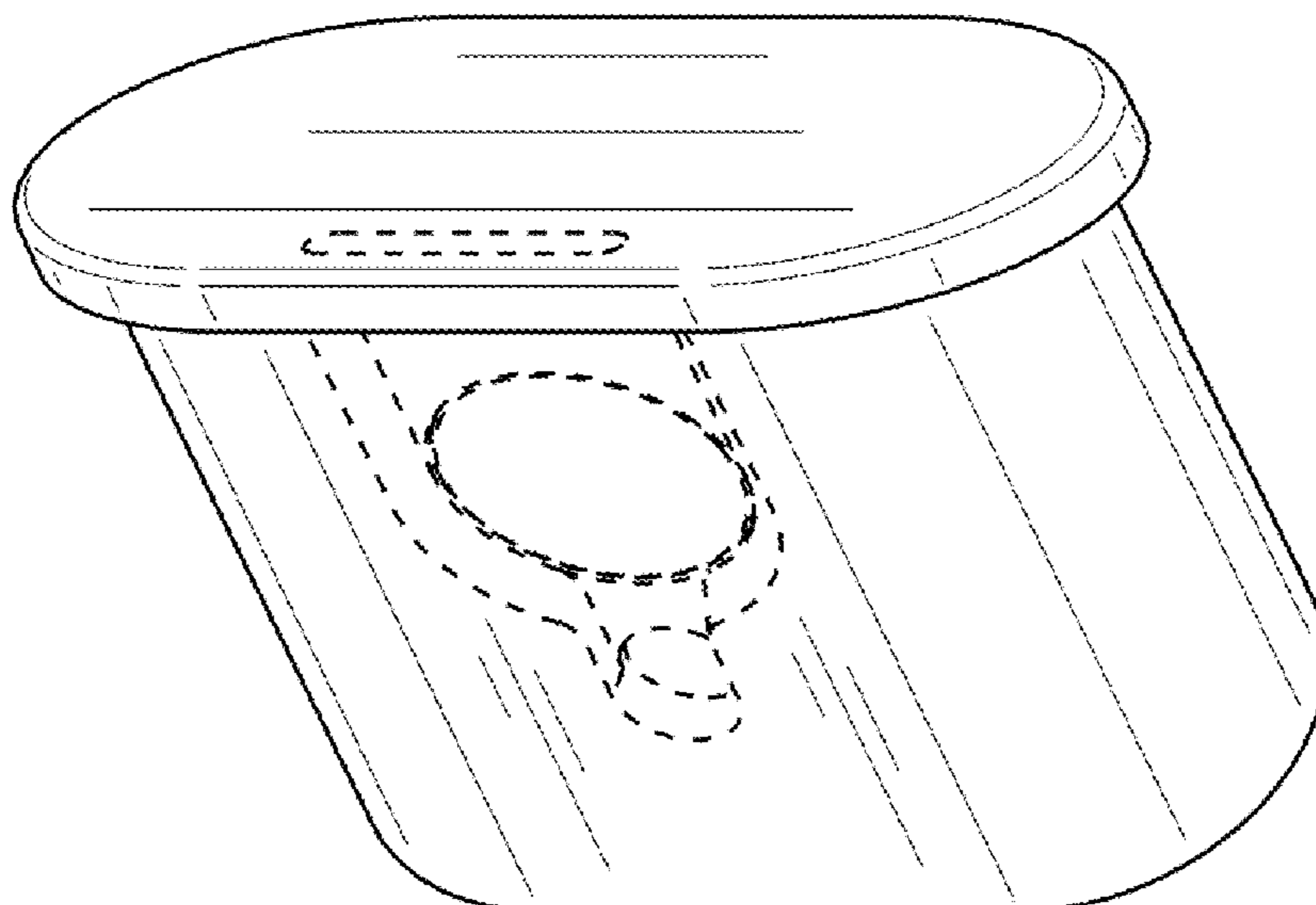
FIG. 1 is a perspective view of the vaporizer cartridge; FIG. 2 is a back view thereof; FIG. 3 is a front view thereof; FIG. 4 is a right side view thereof; FIG. 5 is a left side view thereof; FIG. 6 is a top view thereof; and, FIG. 7 is a bottom view thereof.

The broken lines immediately adjacent the shaded areas represent the bounds of the claimed design while all other broken lines are directed to environment and are for illustrative purposes only; the broken lines form no part of the claimed design.

1 Claim, 4 Drawing Sheets

(56) **References Cited**
U.S. PATENT DOCUMENTS

D299,066 S * 12/1988 Newell D24/110
4,947,874 A 8/1990 Brooks et al.
5,044,550 A * 9/1991 Lamm B65B 19/24
206/245
5,135,009 A 8/1992 Muller et al.
5,564,442 A 10/1996 MacDonald et al.
D449,404 S * 10/2001 Emery D27/186
6,513,524 B1 2/2003 Storz
6,532,965 B1 3/2003 Abhulimen et al.
D610,303 S * 2/2010 Valle D27/189
7,832,410 B2 11/2010 Hon
D634,892 S * 3/2011 Hein D27/189



(56)

References Cited

U.S. PATENT DOCUMENTS

9,549,573	B2	1/2017	Monsees et al.	
D778,235	S *	2/2017	Geier	D13/103
9,717,276	B2	8/2017	Brammer et al.	
9,894,938	B2	2/2018	Vick et al.	
D812,289	S *	3/2018	Ward	D27/172
D816,267	S *	4/2018	Fornarelli	D27/101
9,999,250	B2	6/2018	Minskoff et al.	
D825,102	S	8/2018	Bowen et al.	
D827,117	S *	8/2018	Rigbi	D23/360
10,045,567	B2	8/2018	Monsees et al.	
10,045,568	B2	8/2018	Monsees et al.	
10,058,124	B2	8/2018	Monsees et al.	
10,058,129	B2	8/2018	Monsees et al.	
10,058,130	B2	8/2018	Monsees et al.	
10,070,669	B2	9/2018	Monsees et al.	
10,076,139	B2	9/2018	Monsees et al.	
D842,536	S *	3/2019	Bowen	D27/167
D844,235	S *	3/2019	Cividi	D27/167
D844,240	S *	3/2019	Kauss	D27/194
D849,996	S *	5/2019	Duque	D27/194
2014/0366898	A1	12/2014	Monsees et al.	
2014/0378790	A1	12/2014	Cohen	
2015/0150308	A1	6/2015	Monsees et al.	
2015/0224268	A1	8/2015	Henry et al.	
2015/0320116	A1	11/2015	Bleloch et al.	
2016/0157524	A1	6/2016	Bowen et al.	
2016/0295917	A1	10/2016	Malgat et al.	
2018/0037381	A1 *	2/2018	White	B65D 50/04

* cited by examiner

FIG. 1

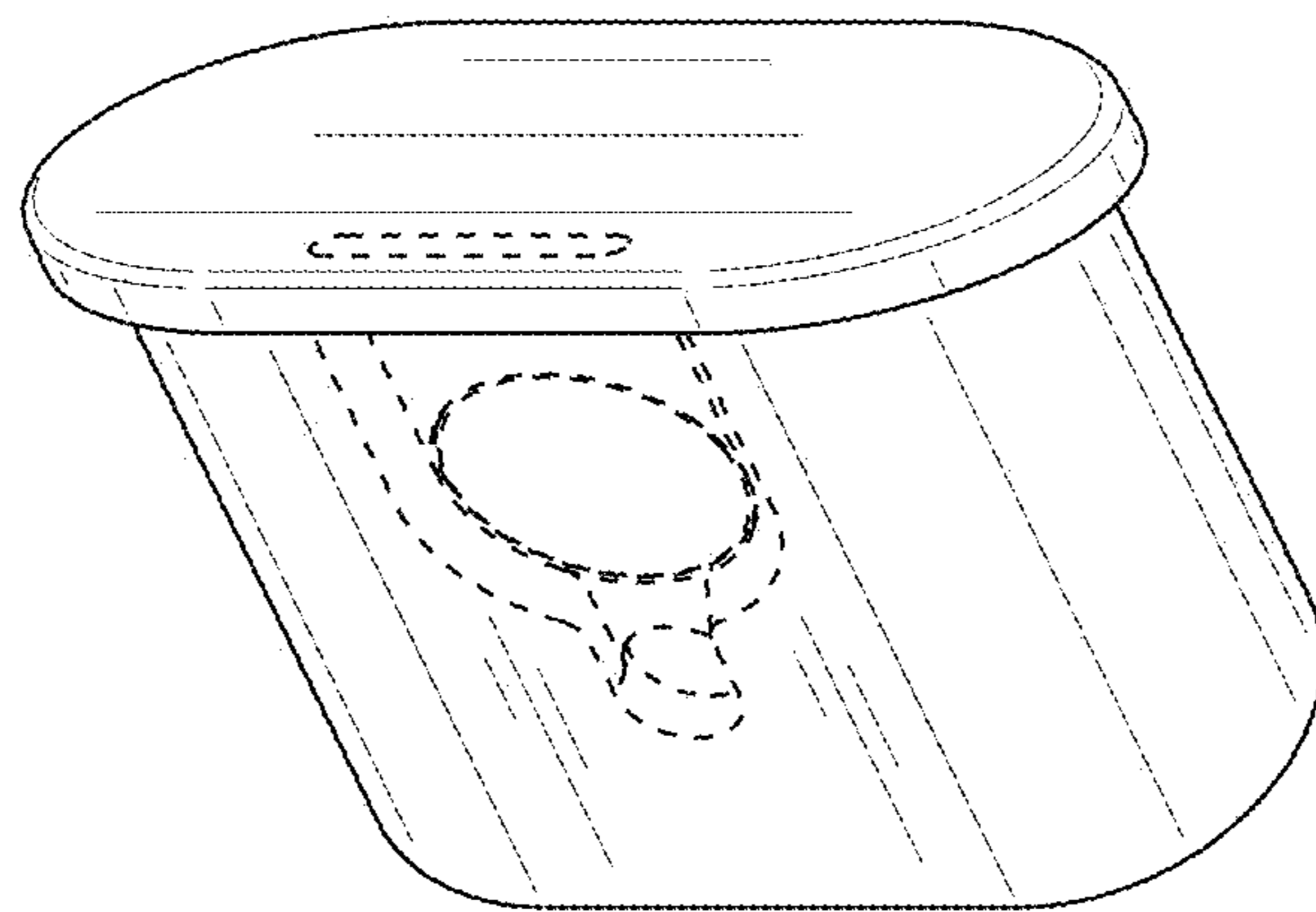


FIG.2

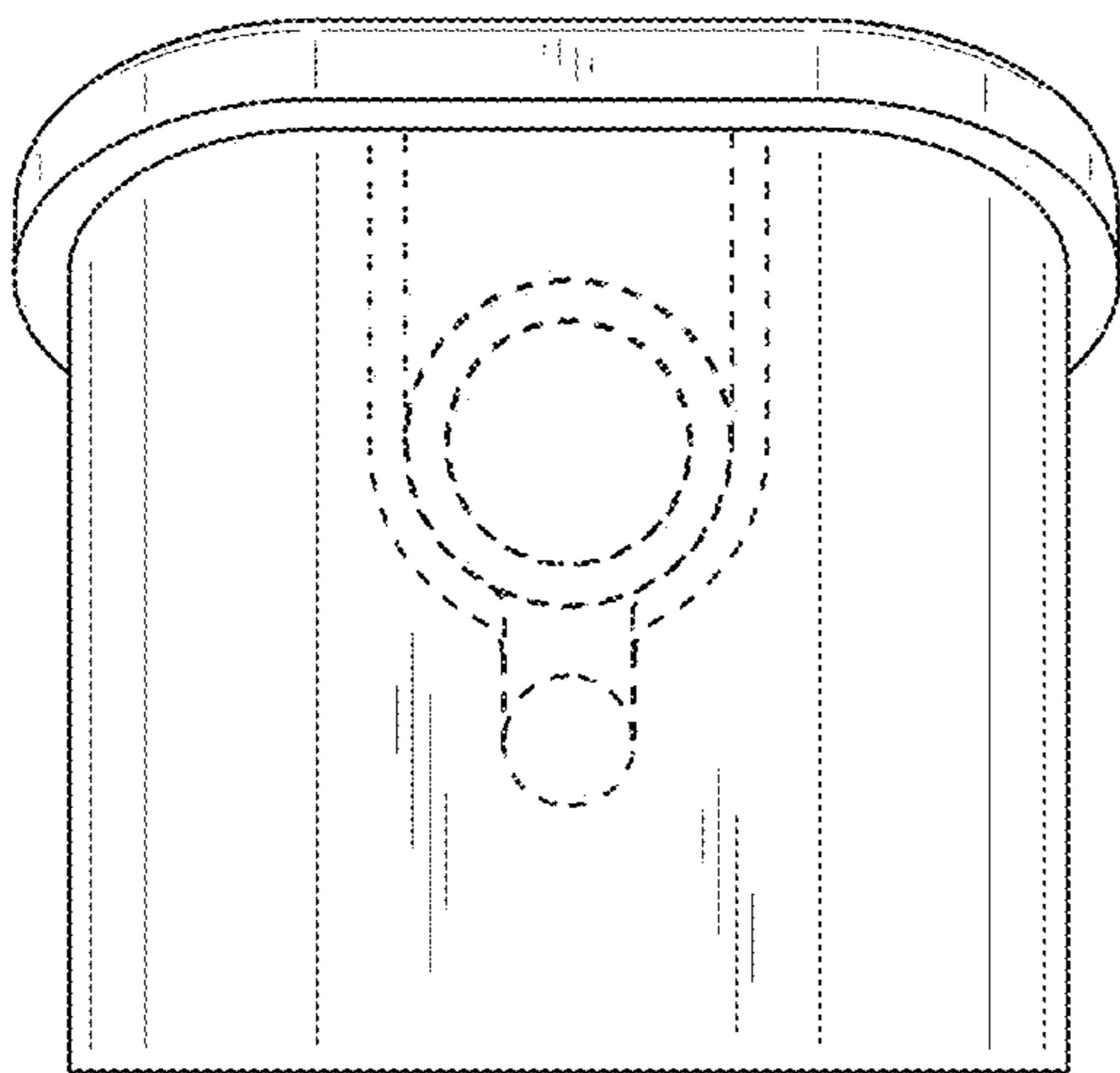


FIG.3

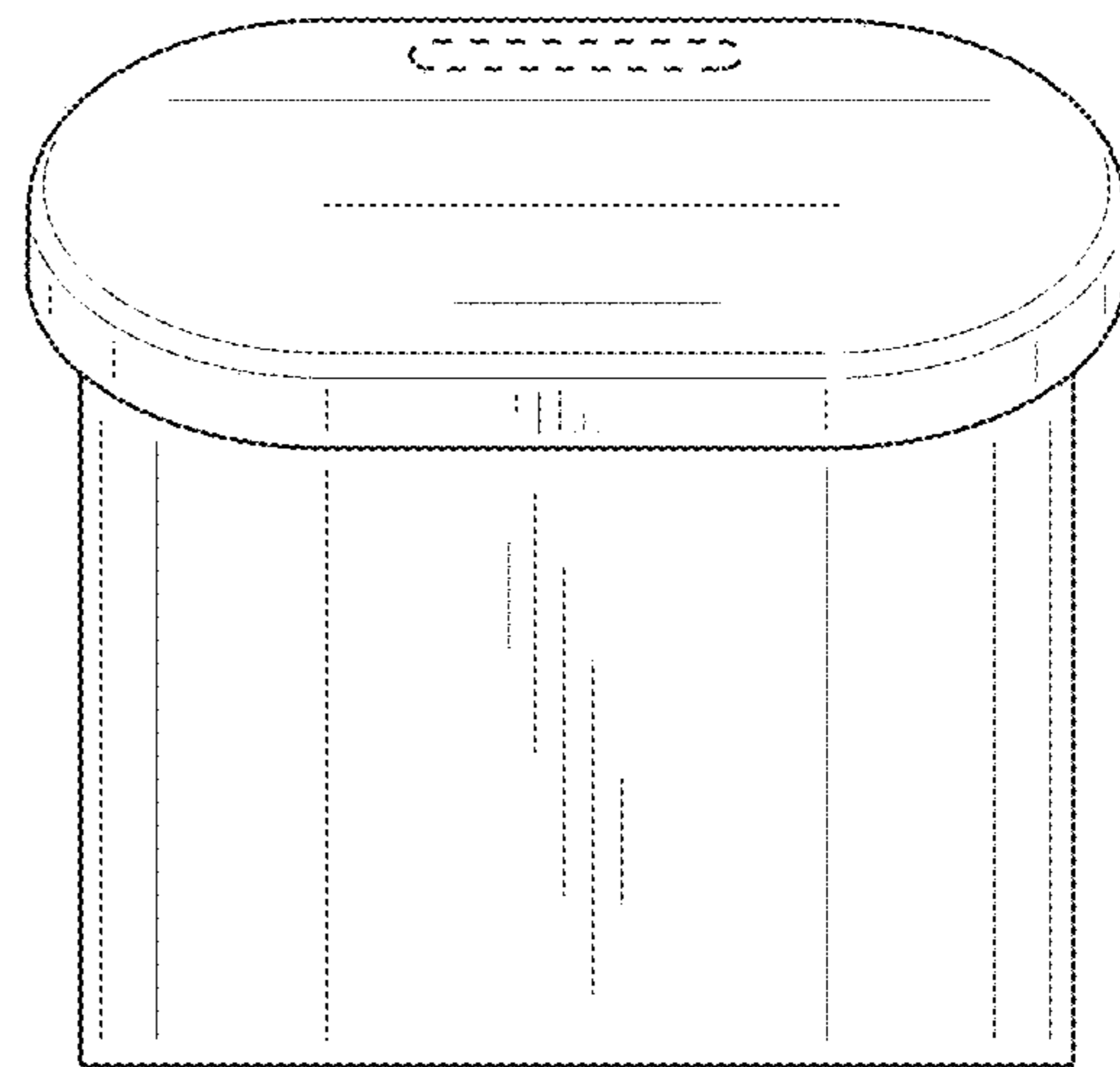


FIG.4

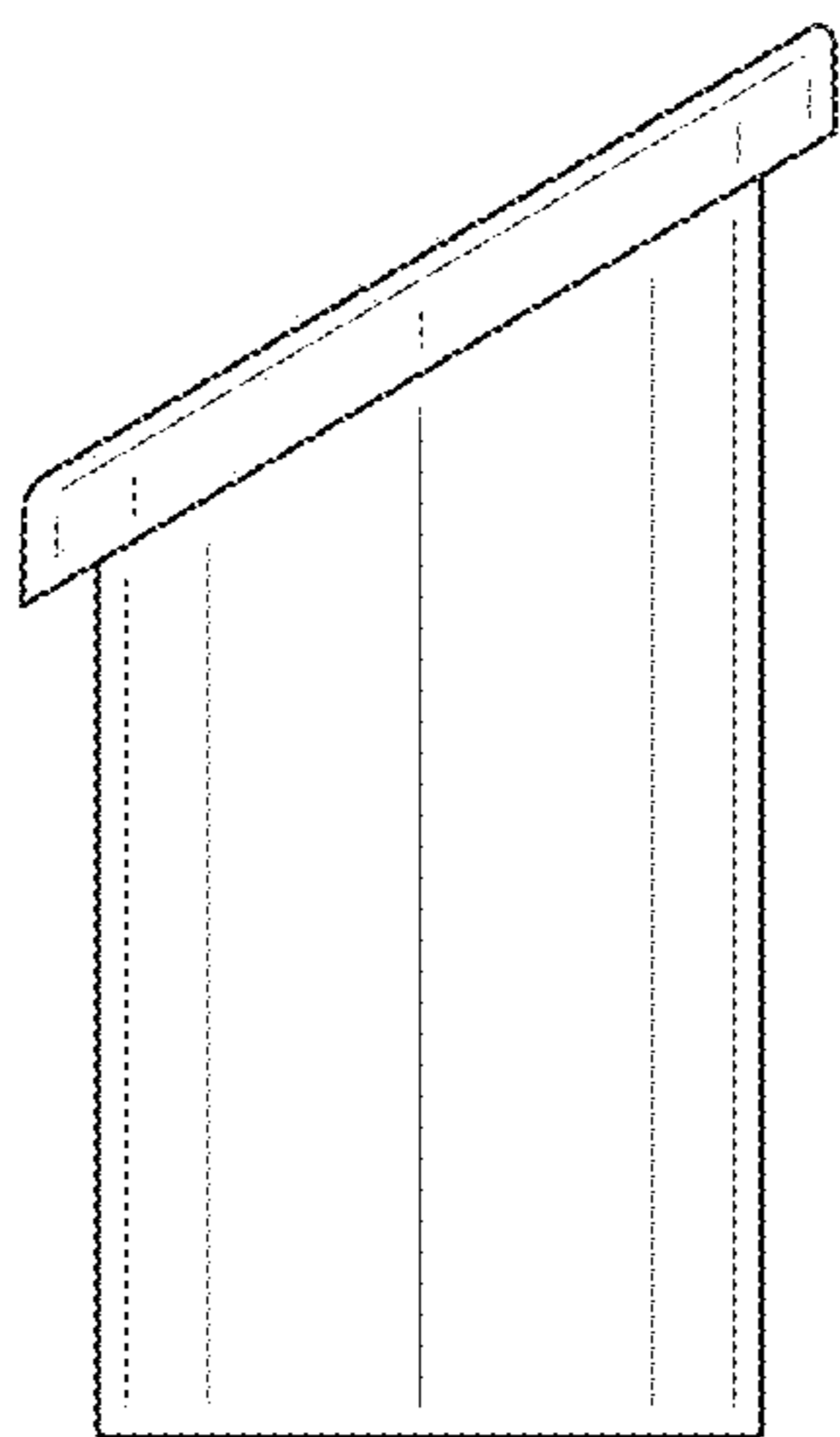


FIG.5

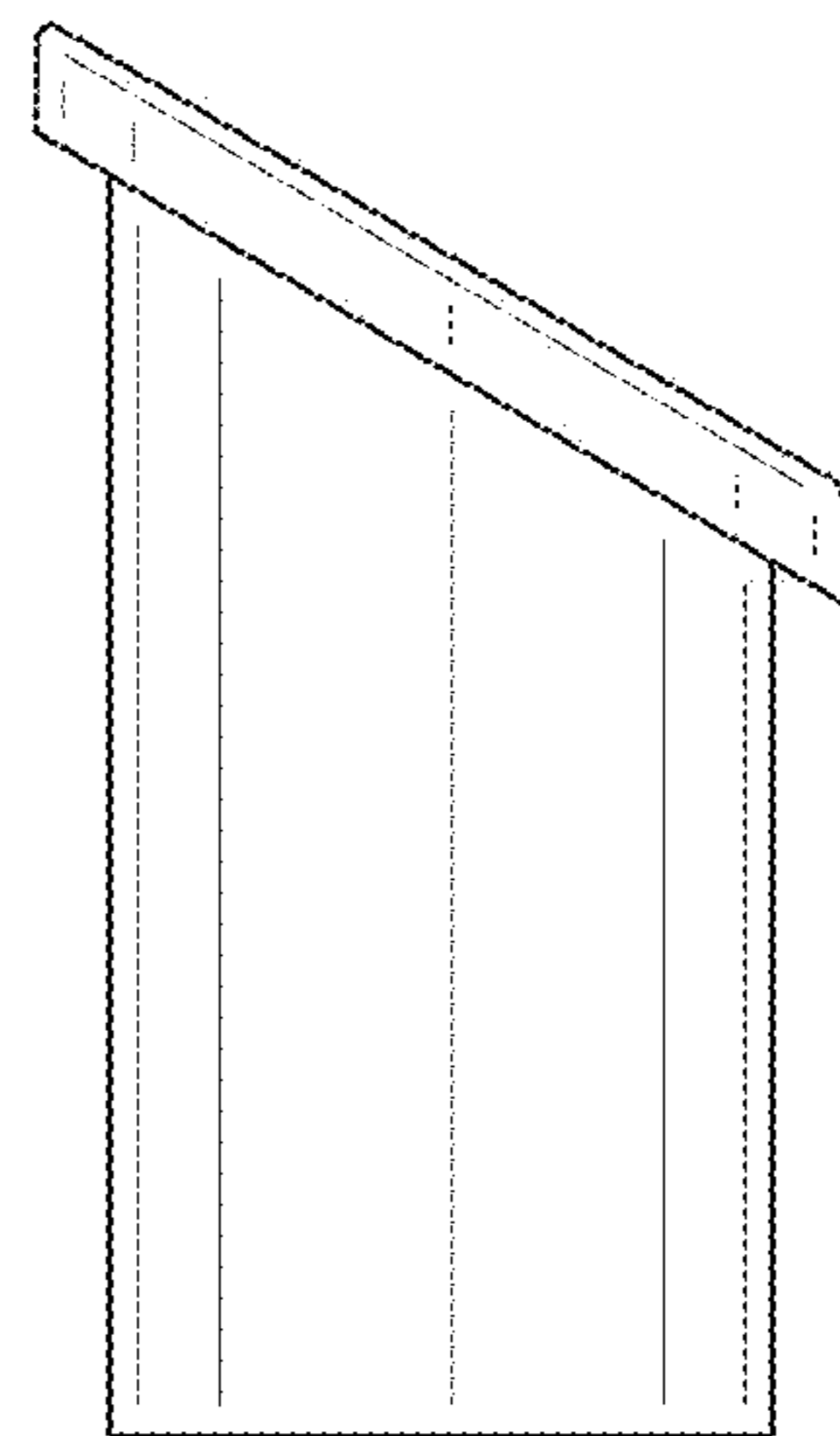


FIG.6

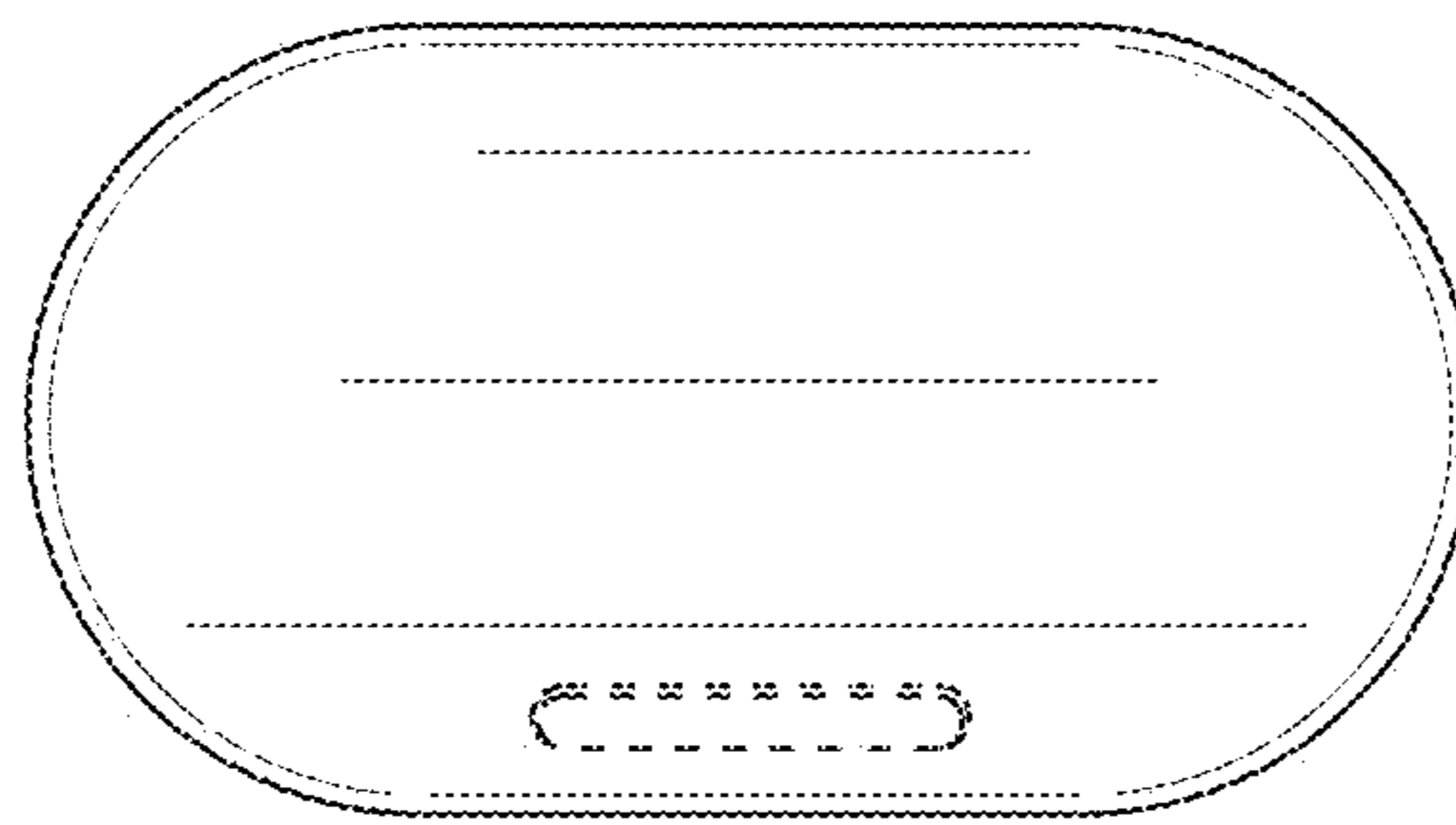


FIG.7

