



US00D880050S

(12) **United States Design Patent**
Pouzet

(10) **Patent No.:** **US D880,050 S**

(45) **Date of Patent:** **** Mar. 31, 2020**

(54) **PLANT LAMP STEM TIP**

(71) Applicant: **Daniel Pouzet**, Draguignan (FR)

(72) Inventor: **Daniel Pouzet**, Draguignan (FR)

(73) Assignee: **Sage Vertical Garden Systems, LLC**,
Chicago, IL (US)

(**) Term: **15 Years**

(21) Appl. No.: **29/694,793**

(22) Filed: **Jun. 13, 2019**

Related U.S. Application Data

(62) Division of application No. 29/659,671, filed on Aug. 10, 2018, now Pat. No. Des. 858,859, and a division of application No. 29/610,120, filed on Jul. 10, 2017, now Pat. No. Des. 828,616, and a division of application No. 29/568,246, filed on Jun. 16, 2016, now Pat. No. Des. 795,489.

(51) **LOC (12) Cl.** **26-99**

(52) **U.S. Cl.**
USPC **D26/138**; D26/113

(58) **Field of Classification Search**
USPC D26/37, 63, 67-69, 113, 138, 142
CPC F21S 2/00; F21S 4/20; F21S 8/00; F21S
8/02; F21S 8/031; F21S 8/035
See application file for complete search history.

(56) **References Cited**

U.S. PATENT DOCUMENTS

D282,104 S * 1/1986 Taylor D26/138
D333,526 S * 2/1993 Taylor D26/138

D651,333 S * 12/2011 Schrimmer D26/37
D804,715 S * 12/2017 Lentine D26/142
D834,240 S * 11/2018 Mullen D26/138
D838,026 S * 1/2019 Jiang D26/67
D868,330 S * 11/2019 Ji D26/63
D869,041 S * 12/2019 Yan D26/68
D870,341 S * 12/2019 Benghozi D26/63

* cited by examiner

Primary Examiner — Brian N. Vinson

(74) *Attorney, Agent, or Firm* — James P. Hanrath; Much
Shelist, P.C.

(57) **CLAIM**

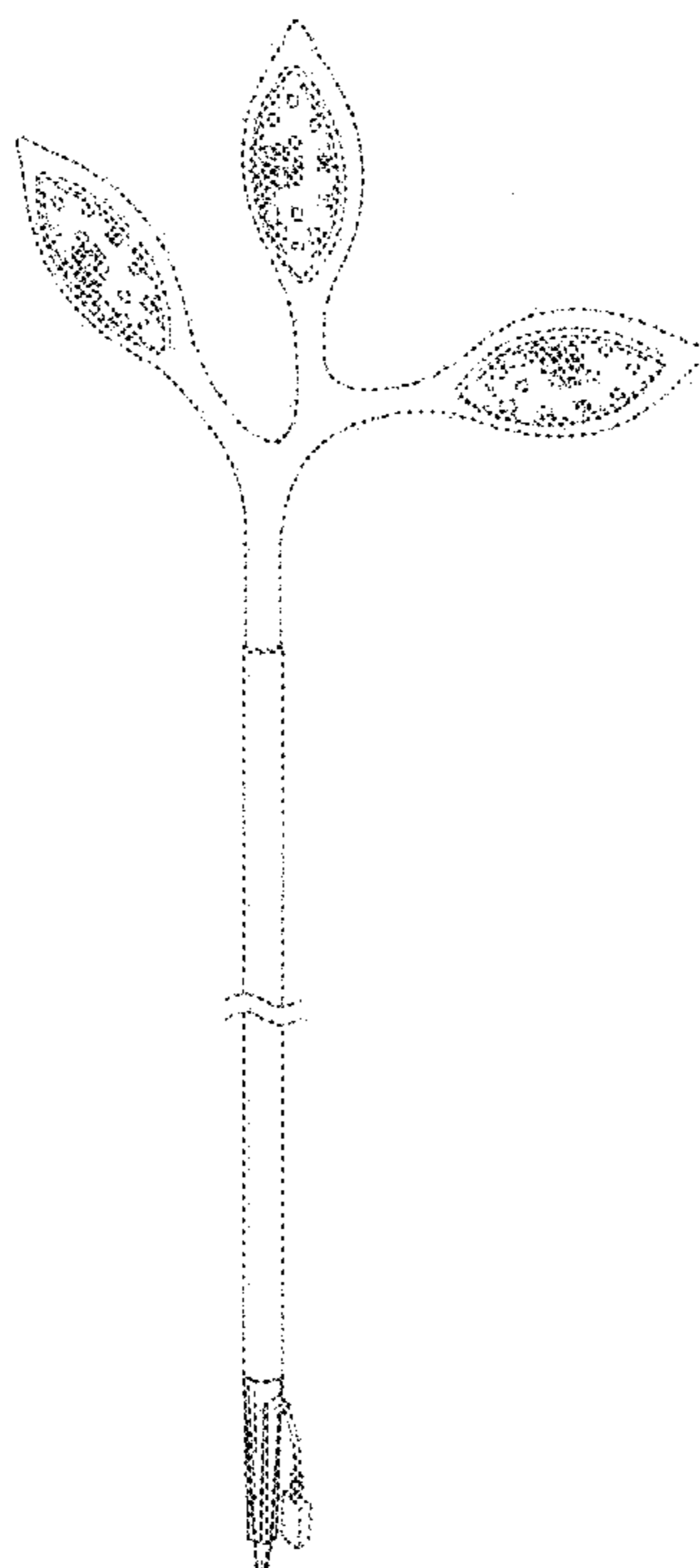
The ornamental design for a plant lamp stem tip, as show
and described.

DESCRIPTION

FIG. 1 is a front perspective view of a plant lamp stem tip
showing my new design;
FIG. 2 is a front elevation view thereof;
FIG. 3 is a rear elevation thereof;
FIG. 4 is a right side view thereof;
FIG. 5 is a left side view thereof;
FIG. 6 is a top plan view thereof;
FIG. 7 is a bottom plan view of thereof; and,
FIG. 8 is a rear perspective view thereof.

The broken lines shown in the various figures are included
to show unclaimed environmental structure only and form
no part of the claimed design.

1 Claim, 6 Drawing Sheets



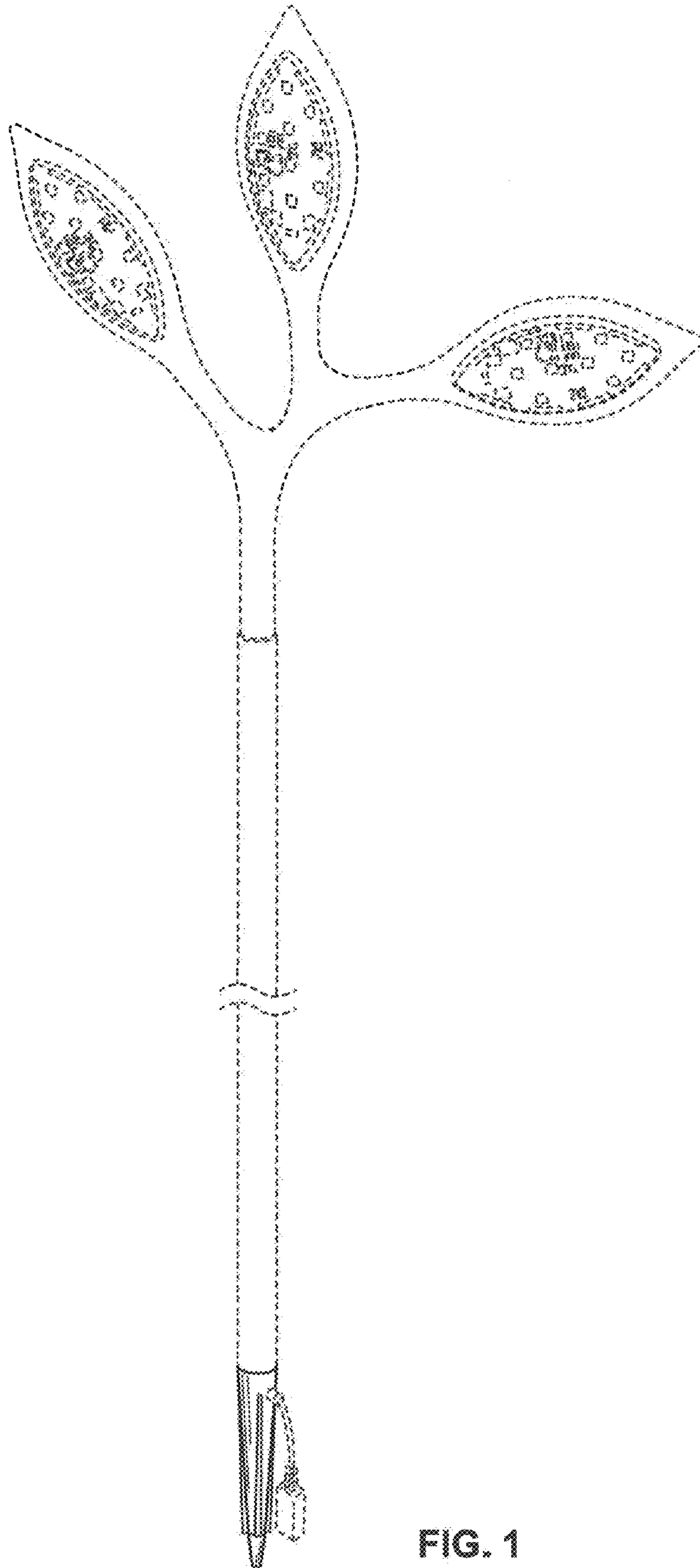


FIG. 1

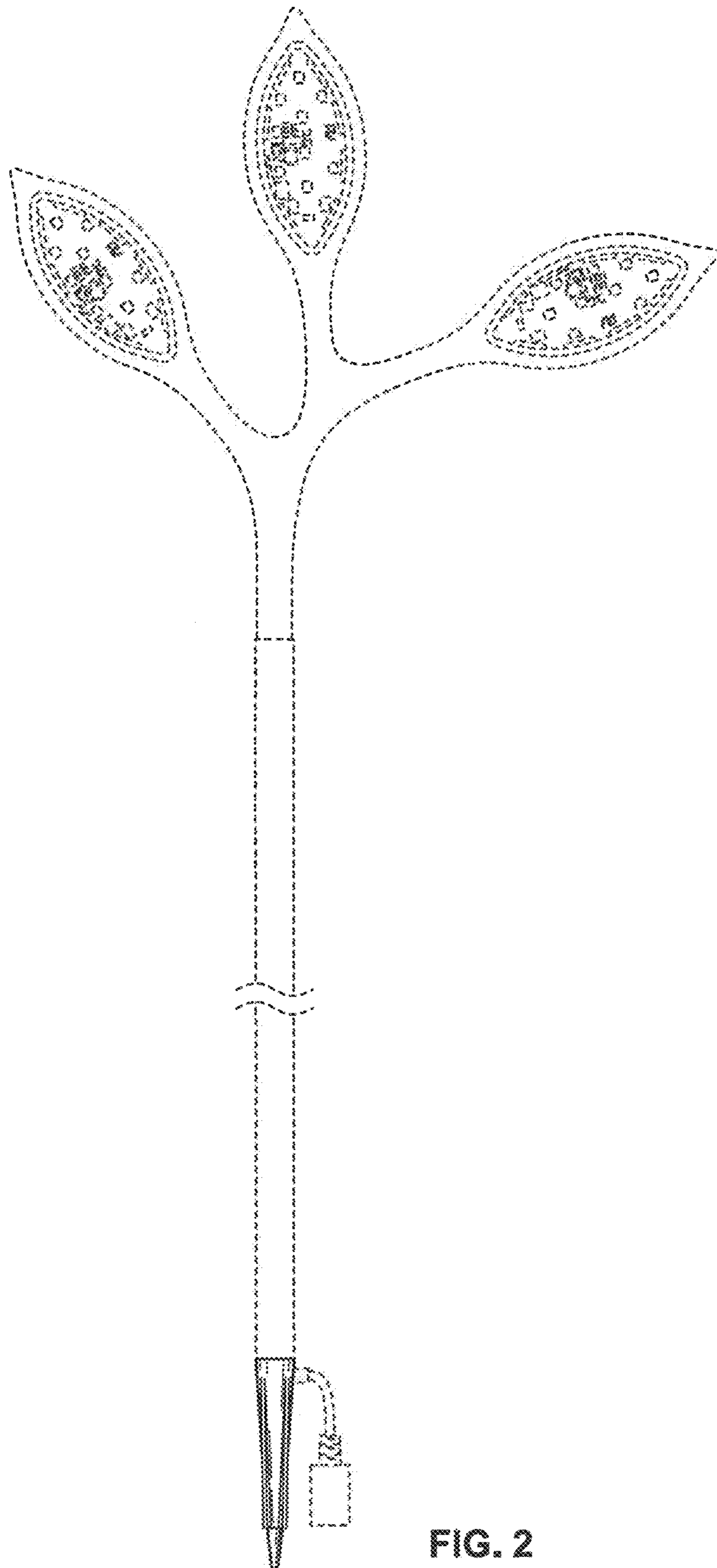


FIG. 2

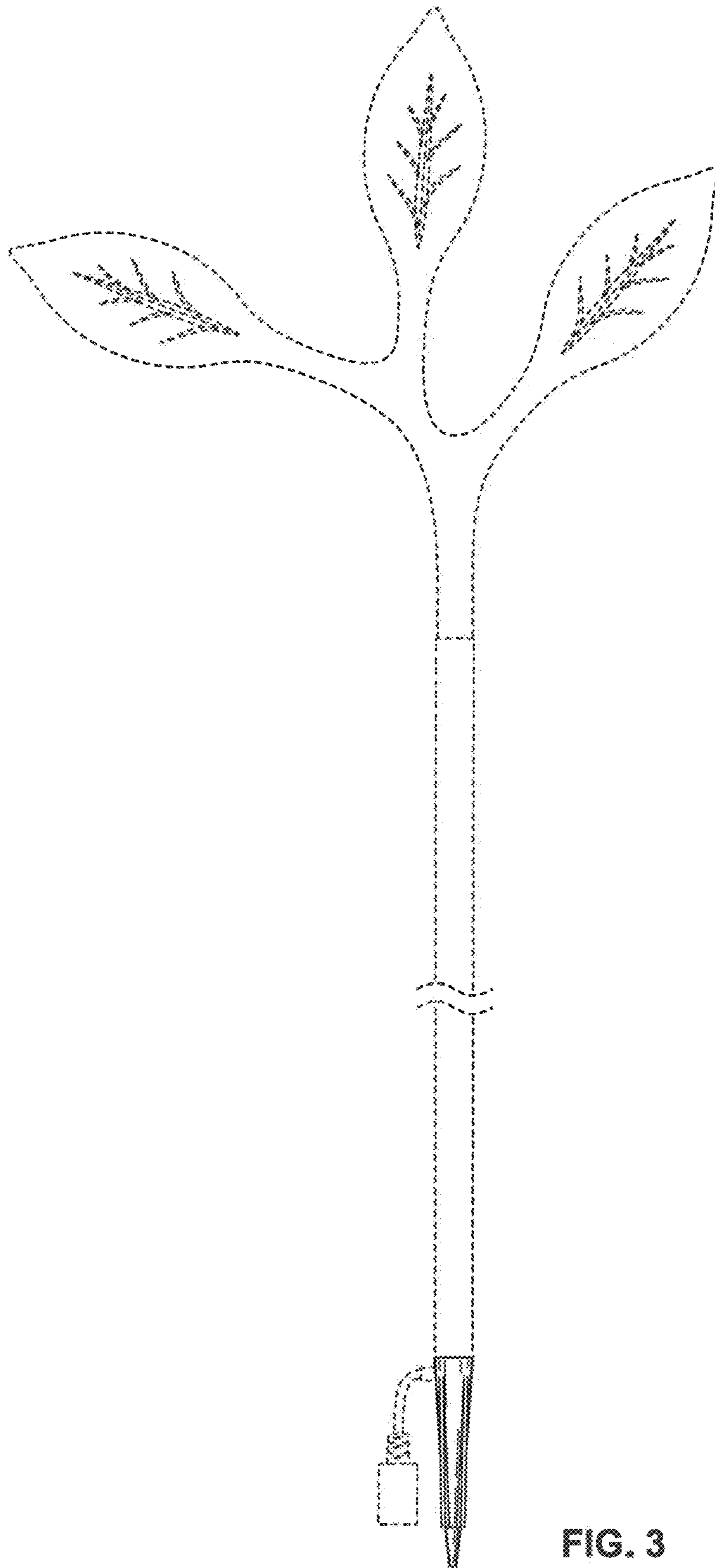


FIG. 3

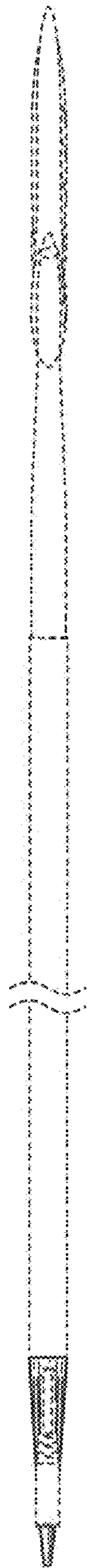


FIG. 4

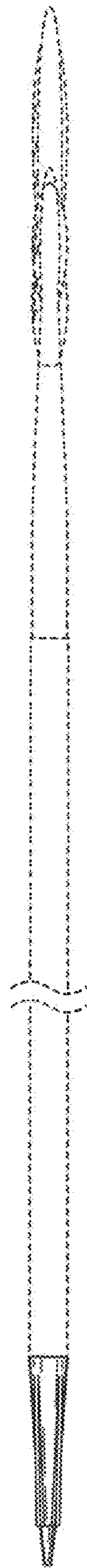


FIG. 5

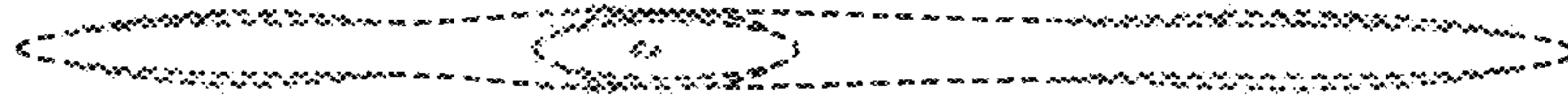


FIG. 6

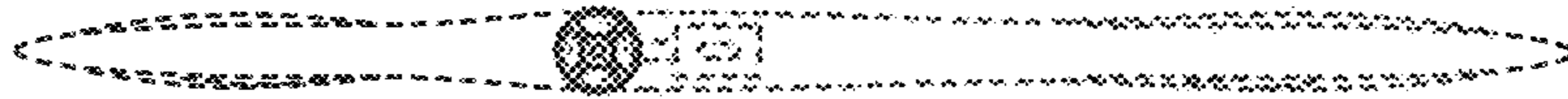


FIG. 7

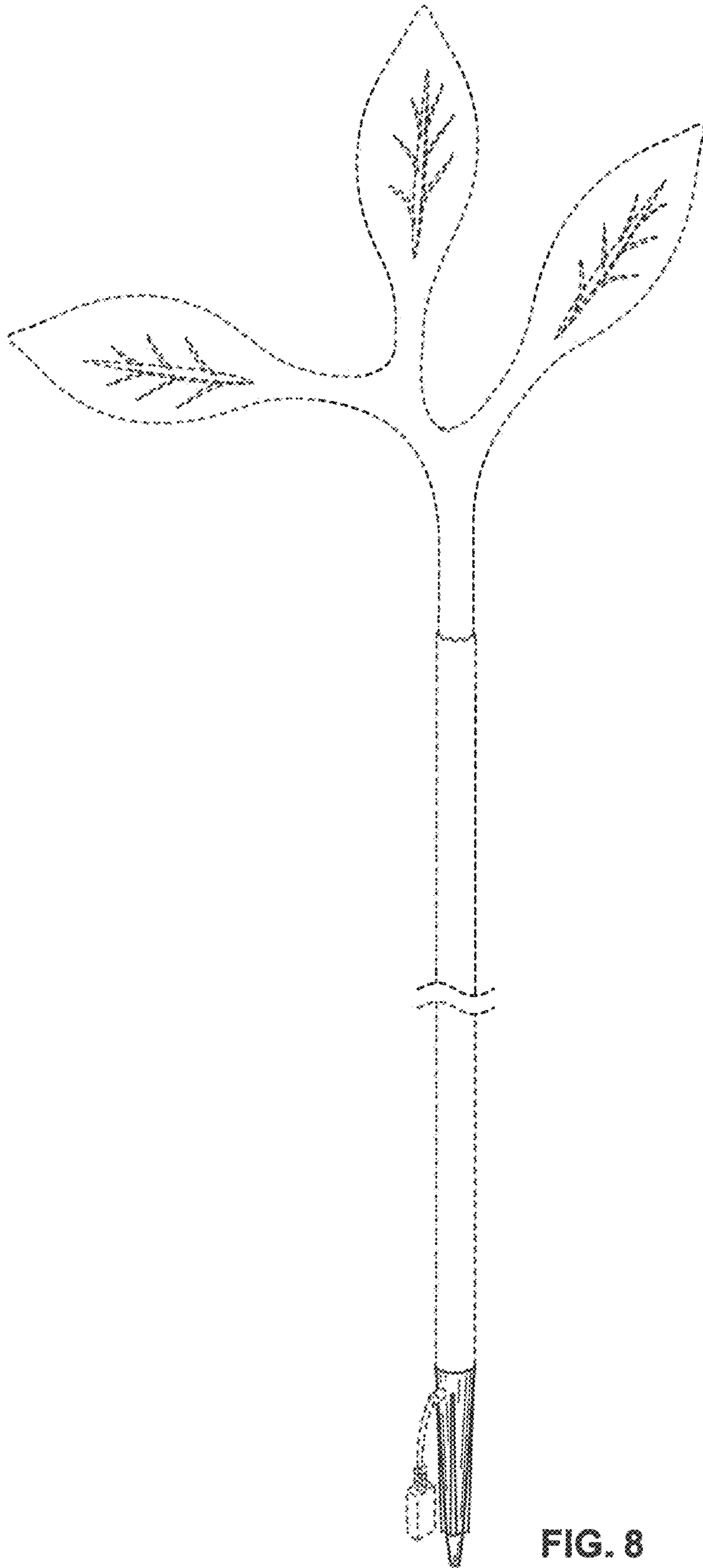


FIG. 8