



US00D880048S

(12) **United States Design Patent**
Zhu

(10) **Patent No.:** **US D880,048 S**
(45) **Date of Patent:** **** Mar. 31, 2020**

(54) **LED RING LIGHT WITH TRIPOD STAND**

Primary Examiner — Brian N. Vinson

(71) Applicant: **SHENZHEN MAITEWEI INVESTMENT AND DEVELOPMENT CO., LTD.**,
Shenzhen (CN)

(57) **CLAIM**

The ornamental design for an LED ring light with tripod stand, as shown and described.

(72) Inventor: **Yongping Zhu**, Pingxiang (CN)

DESCRIPTION

(73) Assignee: **SHENZHEN MAITEWEI INVESTMENT AND DEVELOPMENT CO., LTD.**,
Shenzhen (CN)

(**) Term: **15 Years**

(21) Appl. No.: **29/716,925**

(22) Filed: **Dec. 12, 2019**

(51) **LOC (12) Cl.** **26-03**

(52) **U.S. Cl.**
USPC **D26/106**

(58) **Field of Classification Search**
USPC D26/1, 24, 93, 104, 106, 110, 112;
D16/239, 244

(Continued)

(56) **References Cited**

U.S. PATENT DOCUMENTS

D364,241 S * 11/1995 Jaynes D26/106
D773,105 S * 11/2016 Feit D26/106

(Continued)

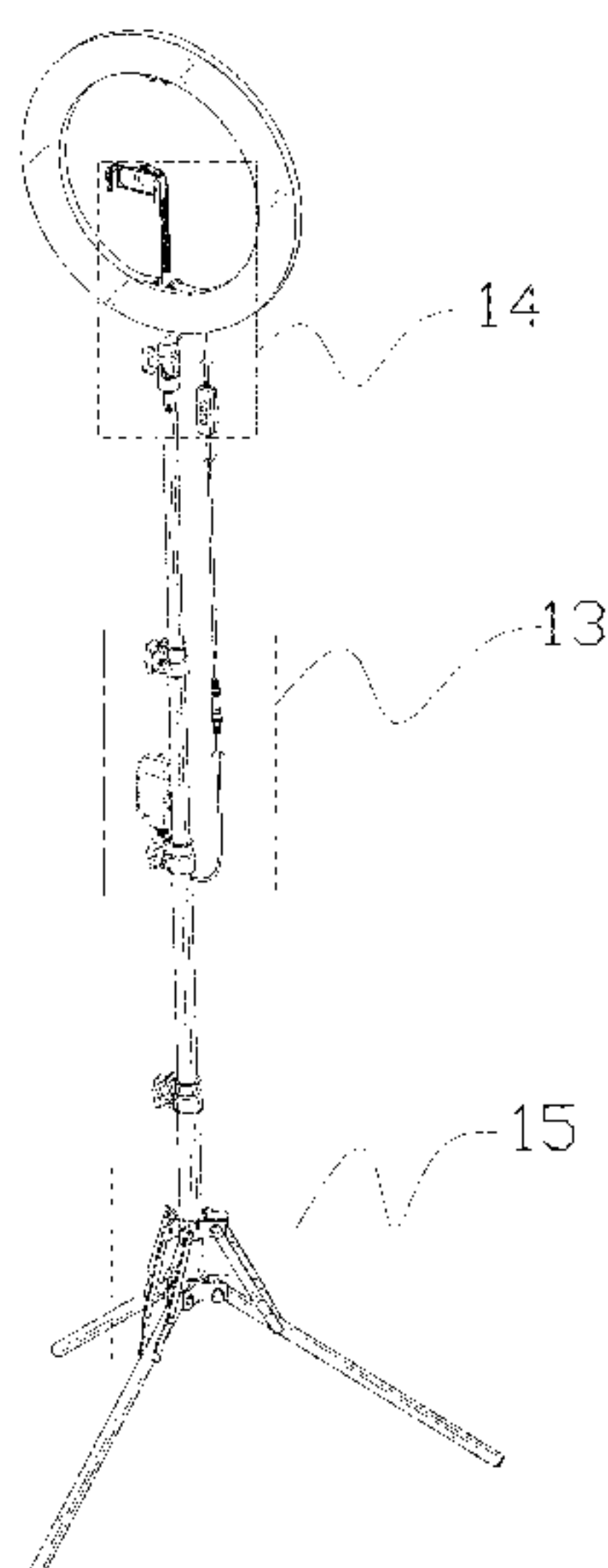
OTHER PUBLICATIONS

“Ring Light 10” with Tripod Stand & Phone Holder for YouTube Video, Desktop Camera LED Ring Light for Streaming, Makeup, Selfie Photography Compatible with iPhone Android”, Retrieved Dec. 12, 2019]. Retrieved from Internet, <https://www.amazon.co.uk/YouTube-Desktop-Streaming-Photography-Compatible/dp/B07QJXCB28/>.

(Continued)

FIG. 1 is a perspective view of an LED ring light with tripod stand showing my new design where the LED ring light with tripod stand is in a first configuration of use;
FIG. 2 is another perspective view thereof;
FIG. 3 is a front elevational view thereof;
FIG. 4 is a rear elevational view thereof;
FIG. 5 is a left side elevational view thereof;
FIG. 6 is a right side elevational view thereof;
FIG. 7 is a top plan view thereof;
FIG. 8 is a bottom plan view thereof;
FIG. 9 is a perspective view of the LED ring light with tripod stand where the LED ring light with tripod stand is in a second configuration of use;
FIG. 10 is a perspective view of the LED ring light with tripod stand where the LED ring light with tripod stand is in a third configuration of use;
FIG. 11 is a perspective view of the LED ring light with tripod stand where the LED ring light with tripod stand is in a fourth configuration of use;
FIG. 12 is an exploded perspective view of the LED ring light with tripod stand;
FIG. 13 is an enlarged view of portion 13 shown in FIG. 1;
FIG. 14 is an enlarged view of portion 14 shown in FIG. 1;
FIG. 15 is an enlarged view of portion 15 shown in FIG. 1; and,
FIG. 16 is an enlarged view of portion 16 shown in FIG. 2. The LED ring light with tripod stand is shown with a symbolic break in its length and the appearance of any portion of the LED ring light with tripod stand between the break lines form no part of the claimed design. The broken lines in the drawings depict portions of the LED ring light with tripod stand that form no part of the claimed design.

1 Claim, 16 Drawing Sheets



(58) **Field of Classification Search**

CPC F21S 6/00; F21S 6/002; F21S 6/004; F21S
6/006; F21S 8/00; F21S 10/00; F21V
21/02; F21W 2131/30; F21Y 2105/00
See application file for complete search history.

(56) **References Cited**

U.S. PATENT DOCUMENTS

D808,572 S *	1/2018	Zhang	D26/106
D827,180 S *	8/2018	Mou	D26/106
D854,227 S *	7/2019	Yu	D26/106
D854,605 S *	7/2019	Fook	D16/244
D855,242 S *	7/2019	Chen	D26/106
D868,139 S *	11/2019	Zhou	D16/239
D873,328 S *	1/2020	Shen	D16/239

OTHER PUBLICATIONS

“Docooler Dimmable LED Ring Light with Stand 3-Colors 360 Rotary USB Powered Streaming Light for Vlogging YouTube Video Shooting Make-up Selfie”, Retrieved Dec. 12, 2019]. Retrieved from Internet, <https://www.amazon.co.uk/Docooler-Dimmable-3-Colors-Streaming-Vlogging/dp/B07K9M9V1D/>.

“LED Ring Light With Tripod Stand Selfie Desk Makeup Ring Light With Phone Holder 6 Inche72 LED Ring Light Kit For Live Streaming Webcast Youtube Vlog Camera Studio Video Shooting USB 10 Brightness”, Retrieved Dec. 12, 2019]. Retrieved from Internet, <https://www.amazon.co.uk/Inche72-Streaming-Webcast-Shooting-Brightness-B-LED-Ring-Light-Tripod-Stand/dp/B07QKKGMVR/>.

* cited by examiner

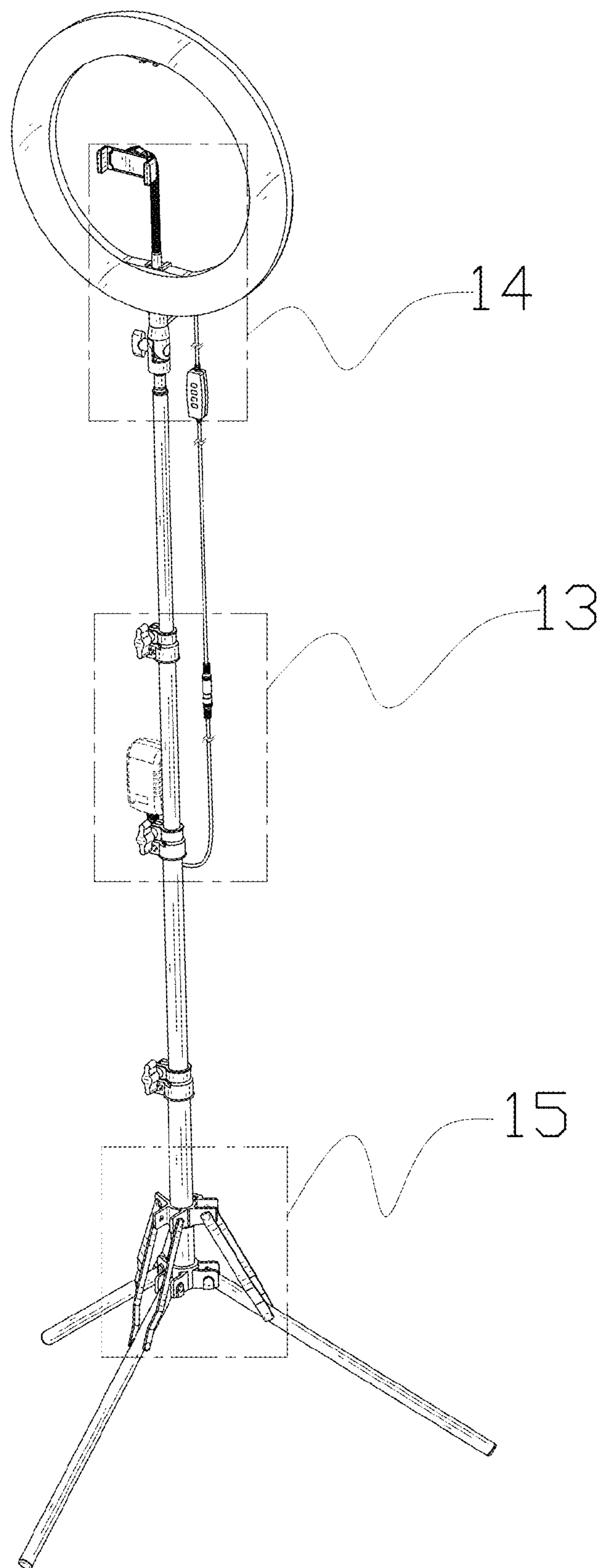


FIG. 1

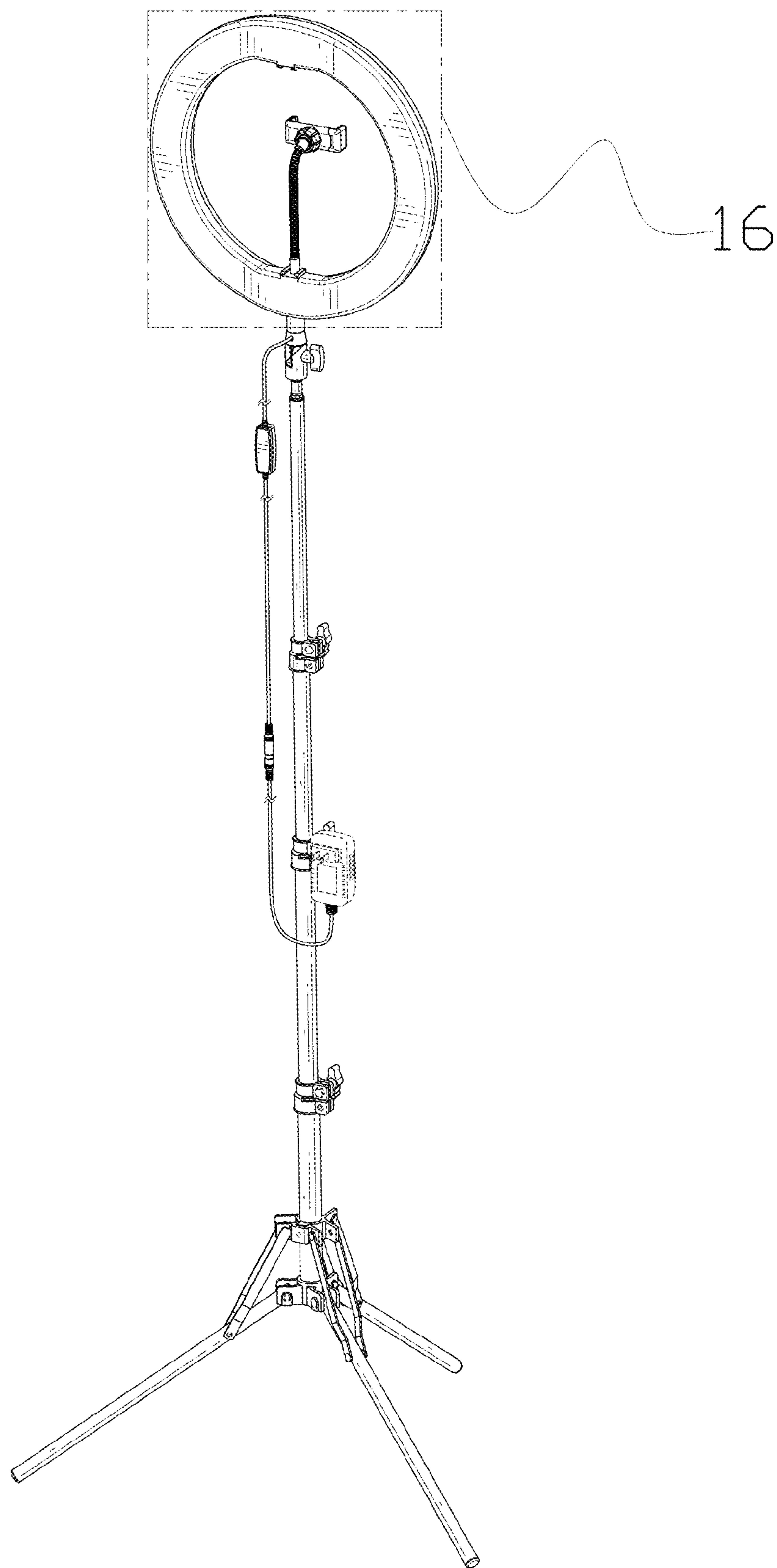


FIG. 2

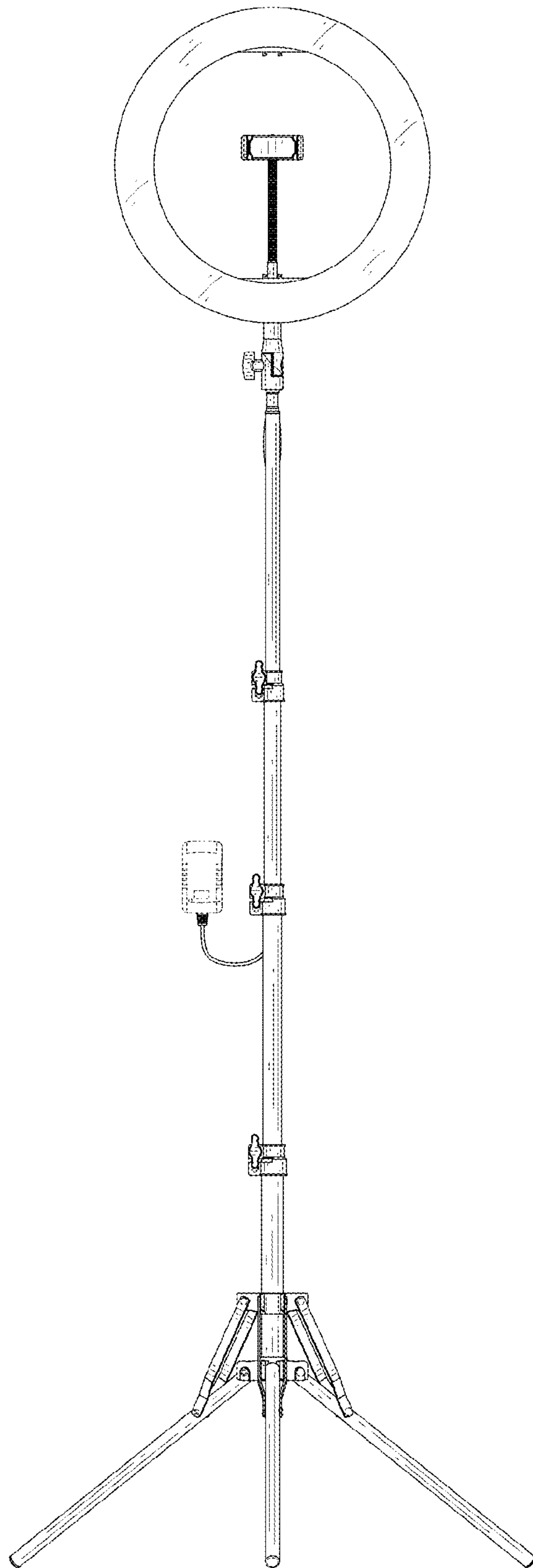


FIG. 3

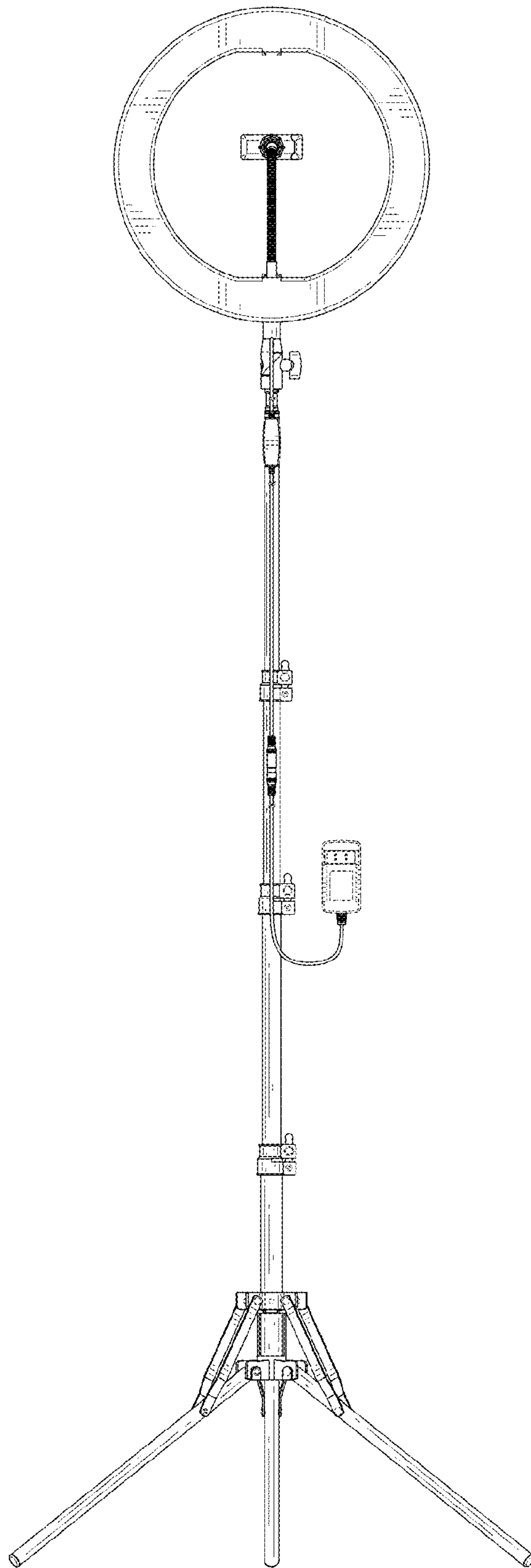


FIG. 4

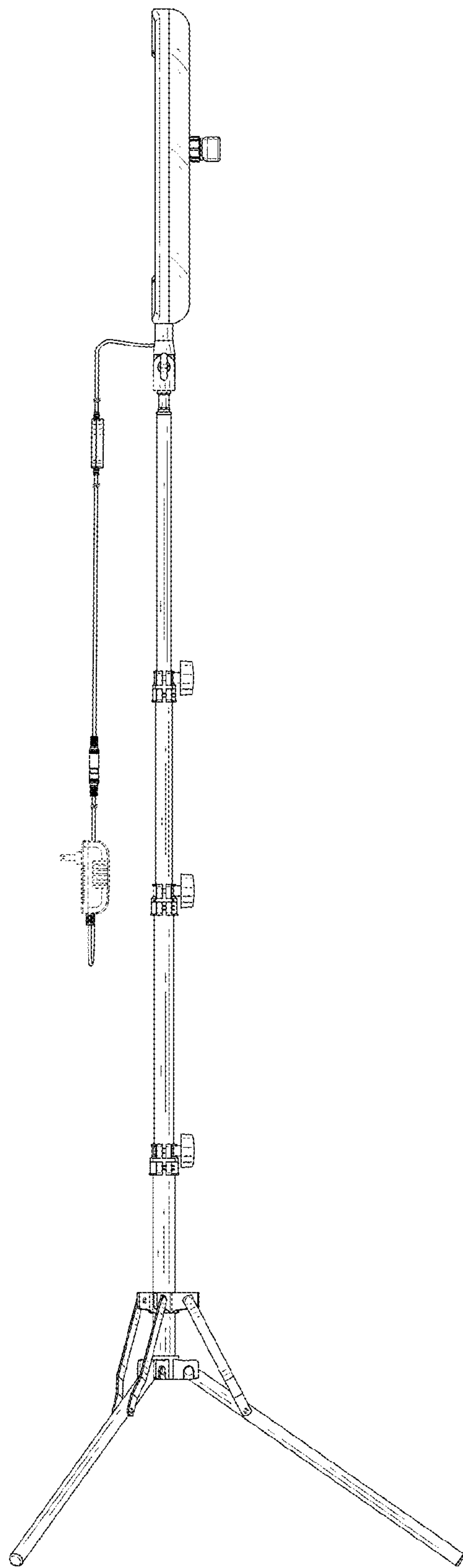


FIG. 5

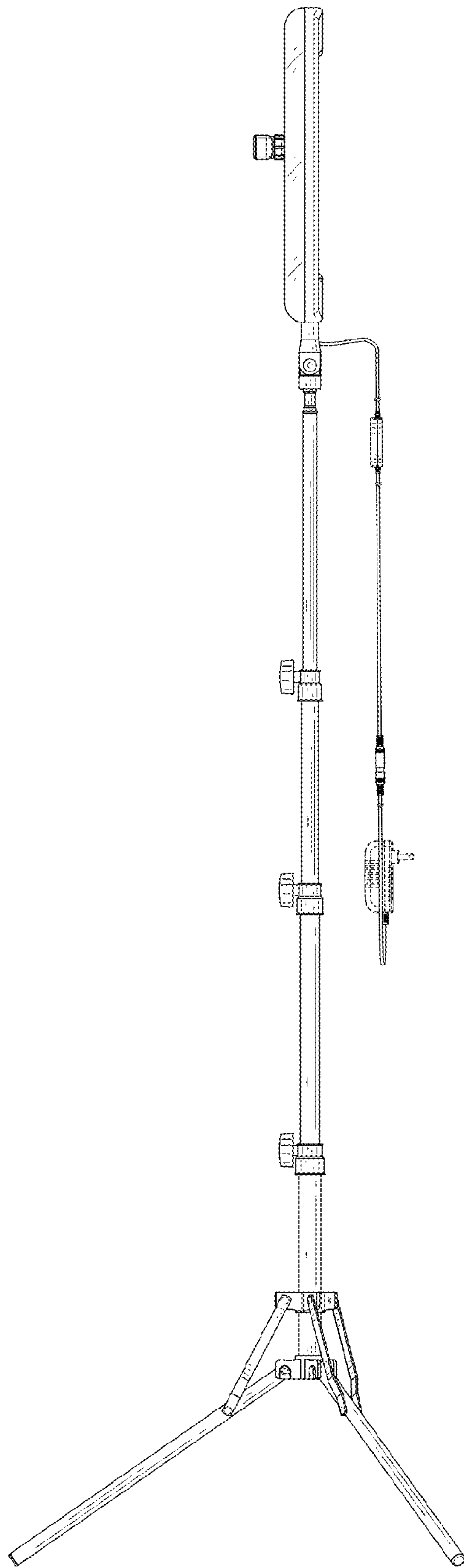


FIG. 6

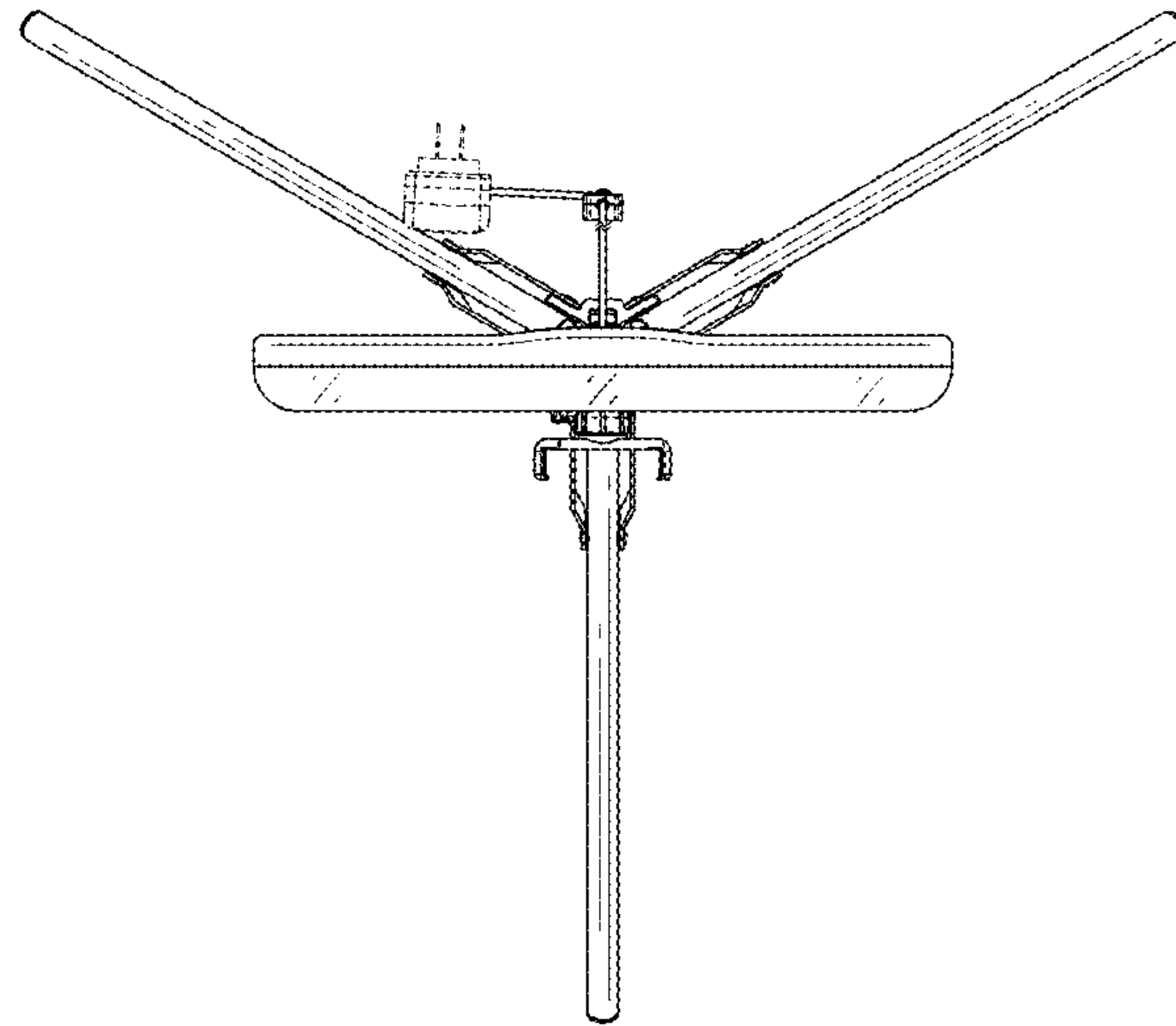


FIG. 7

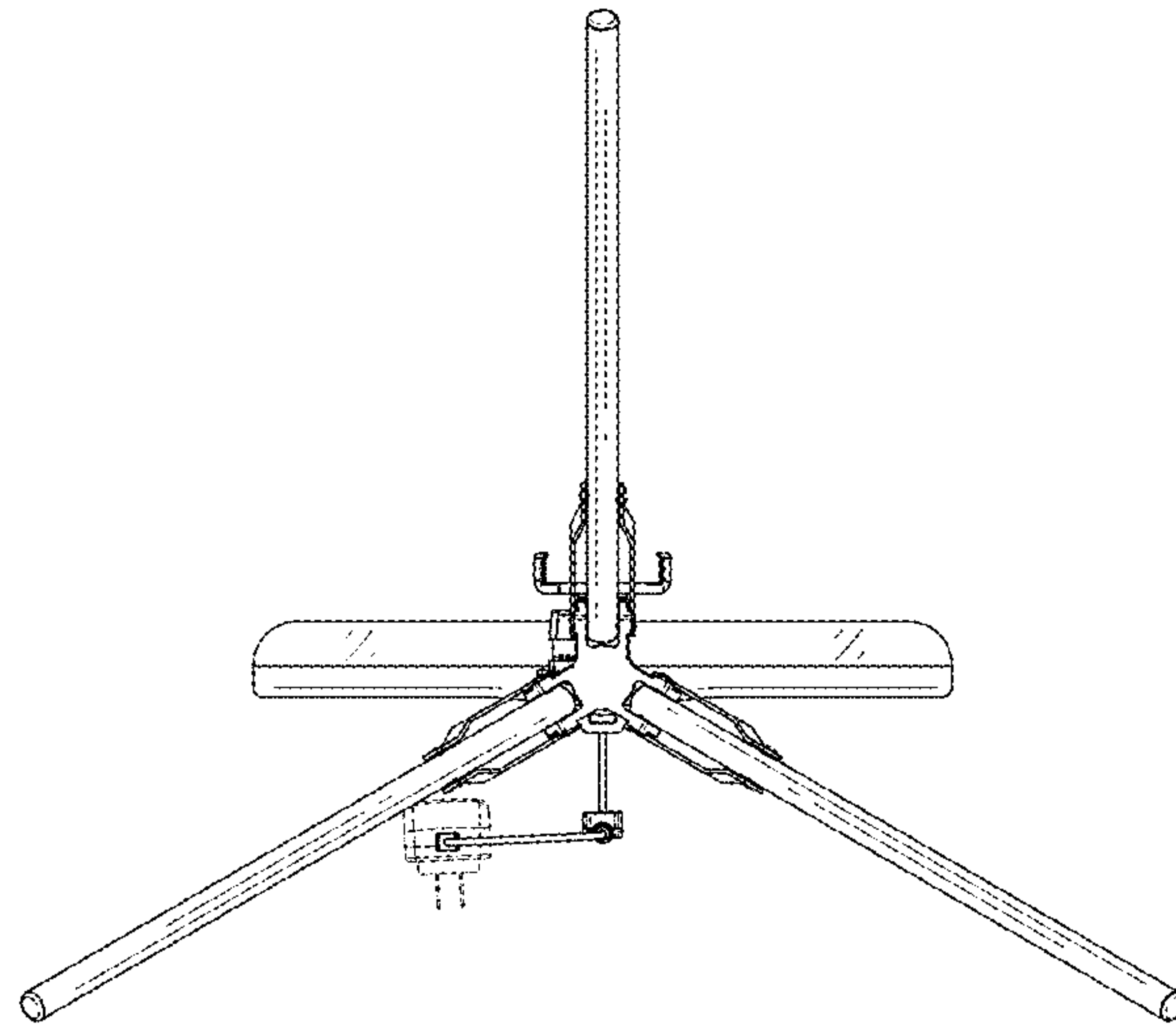


FIG. 8

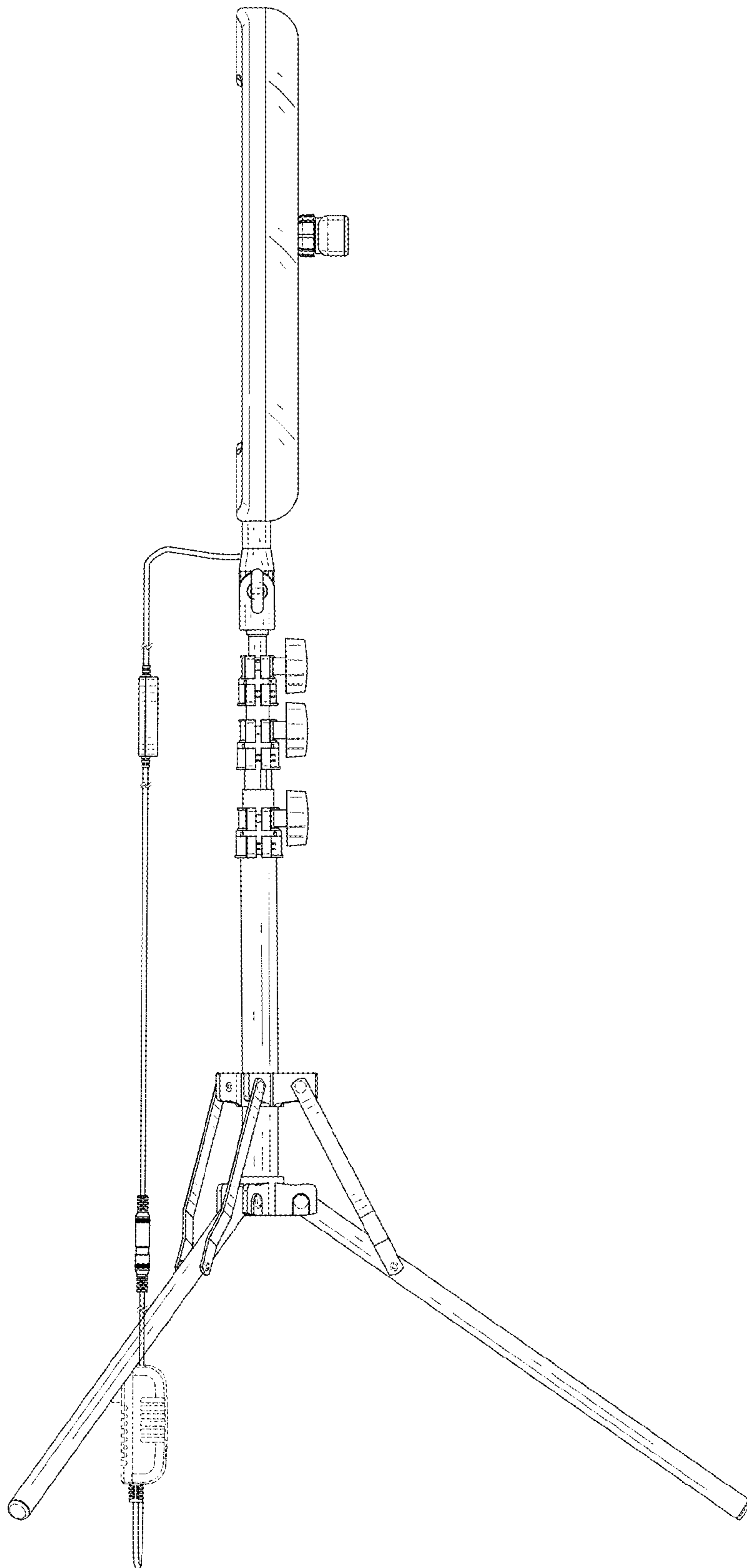


FIG. 9

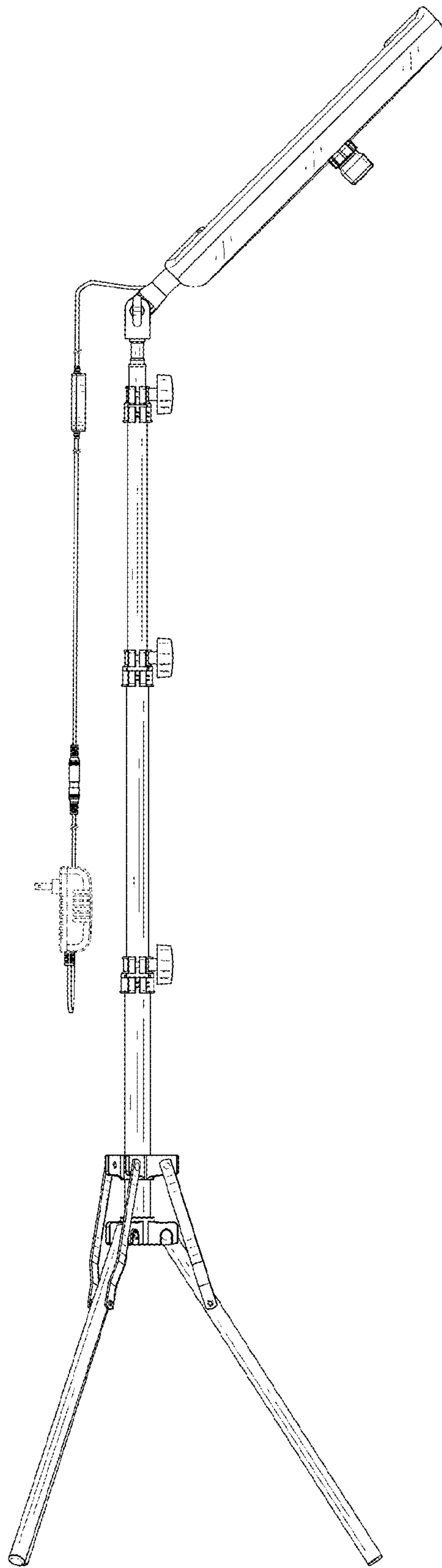


FIG. 10

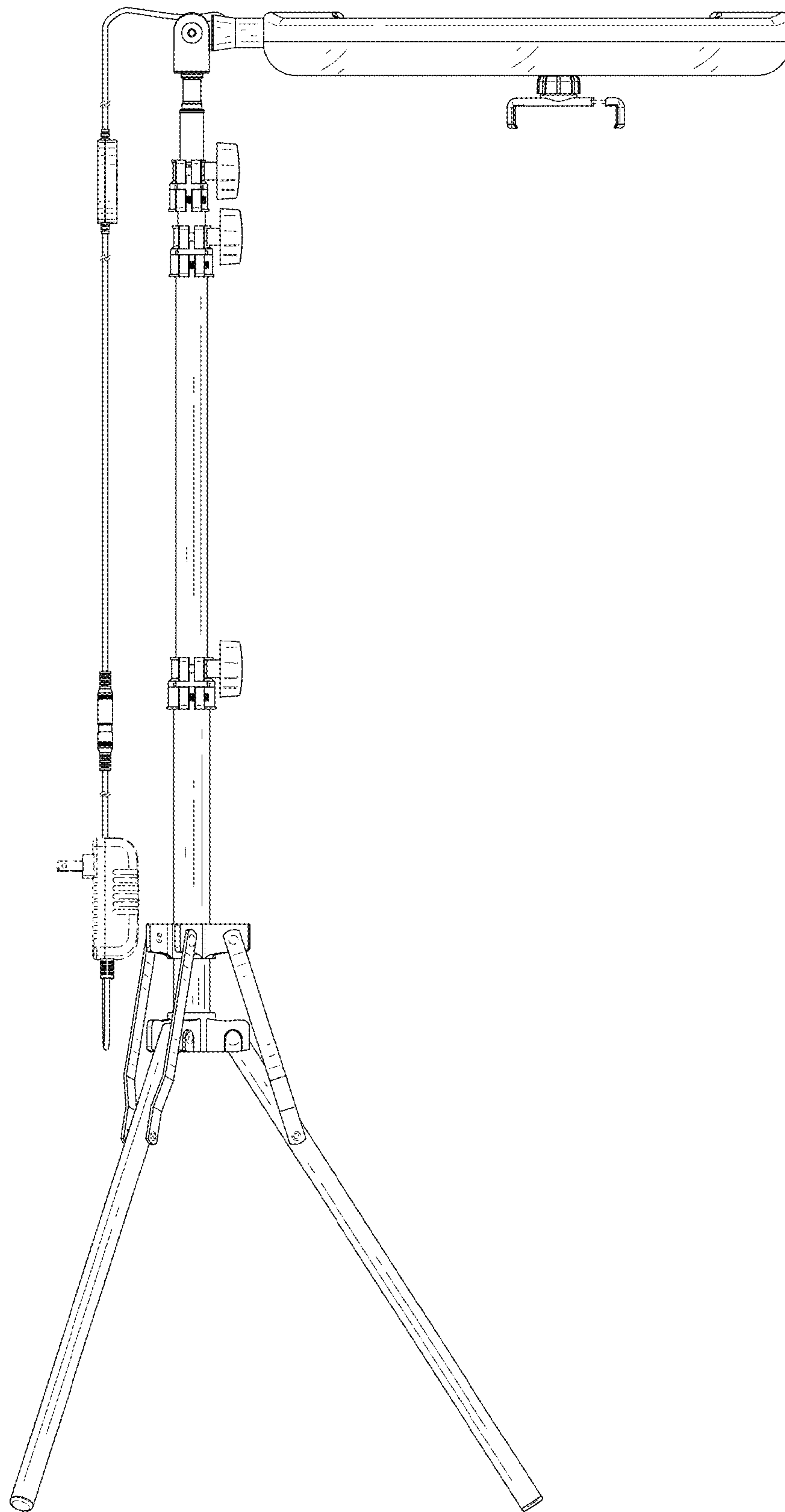


FIG. 11

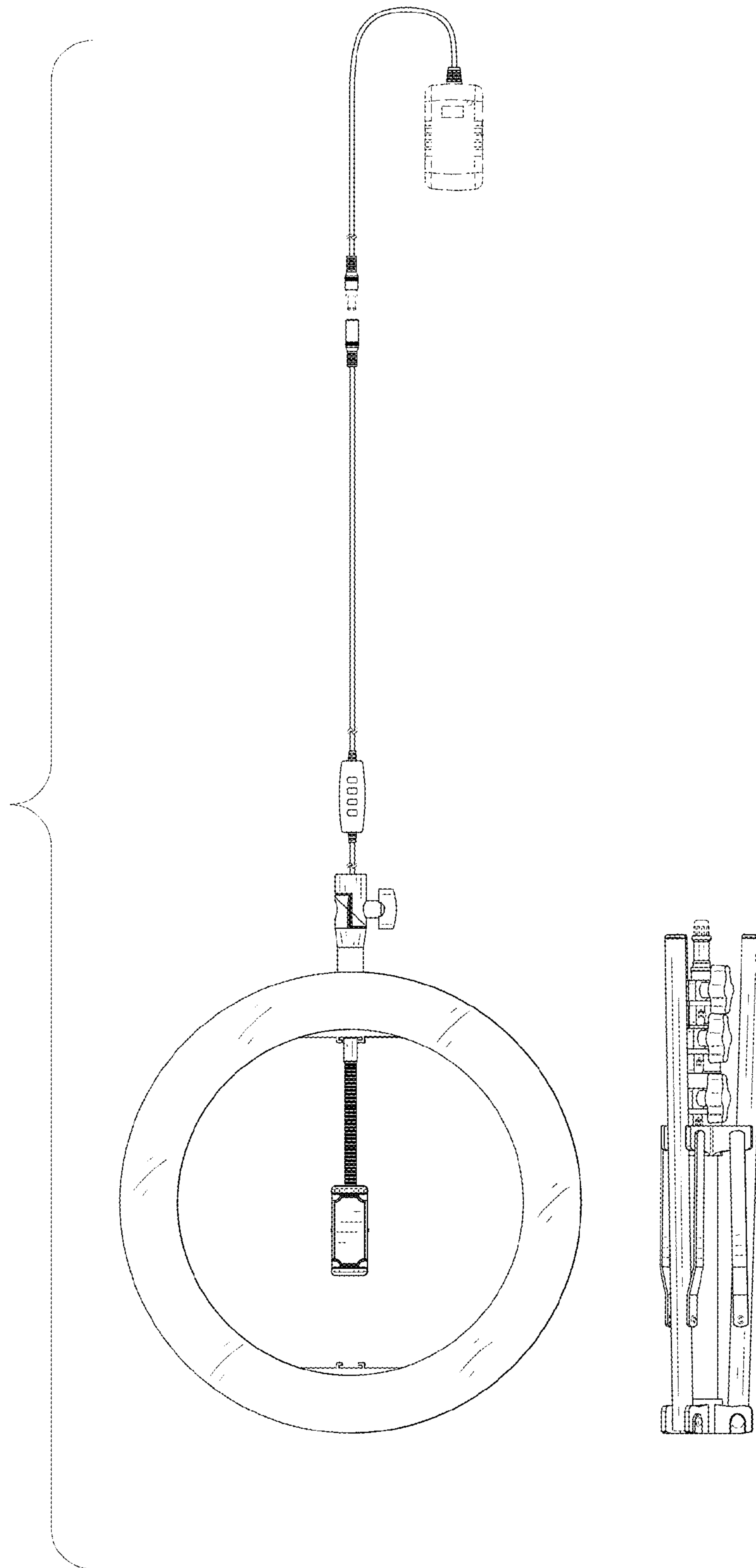


FIG. 12

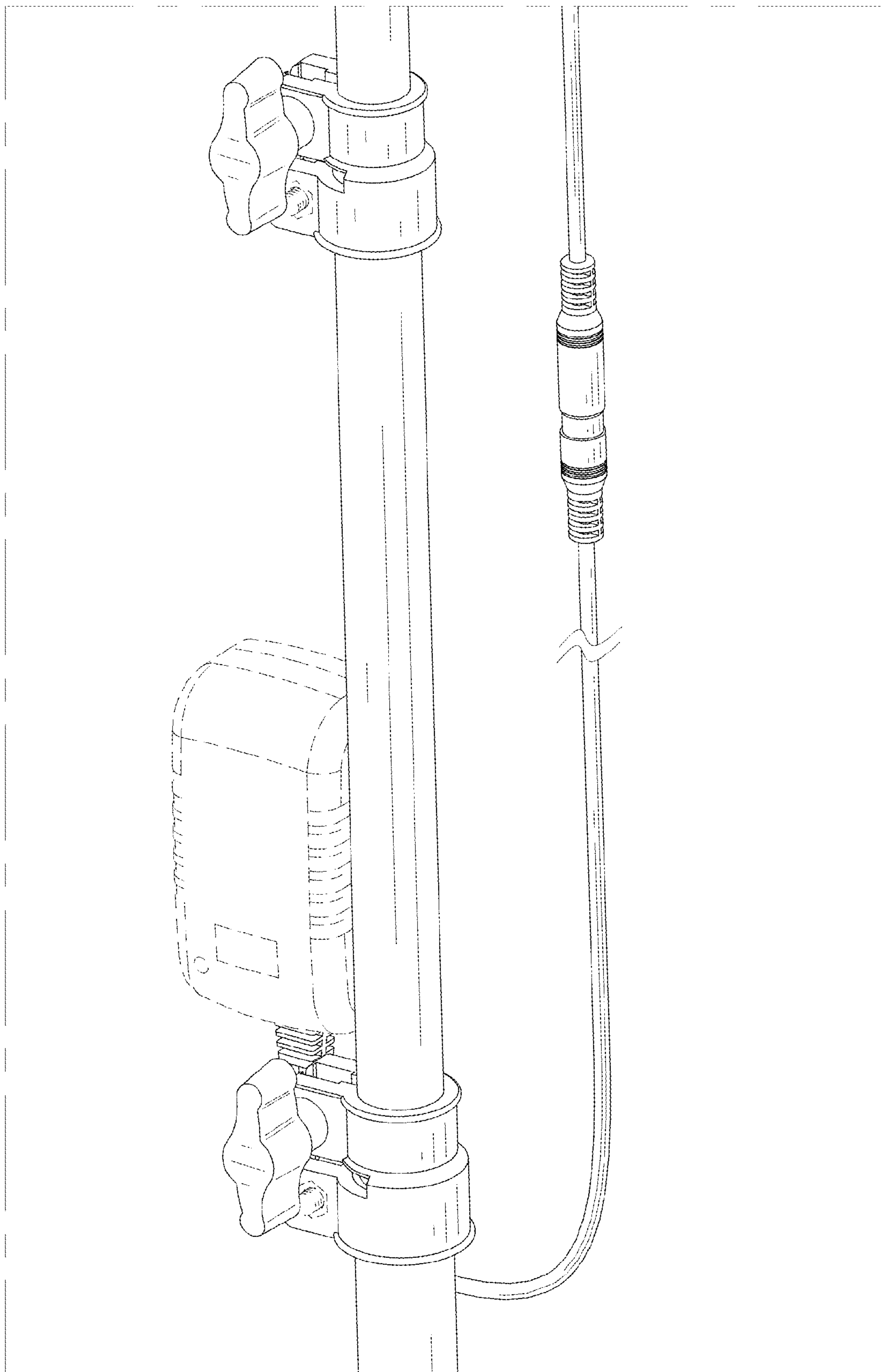


FIG. 13

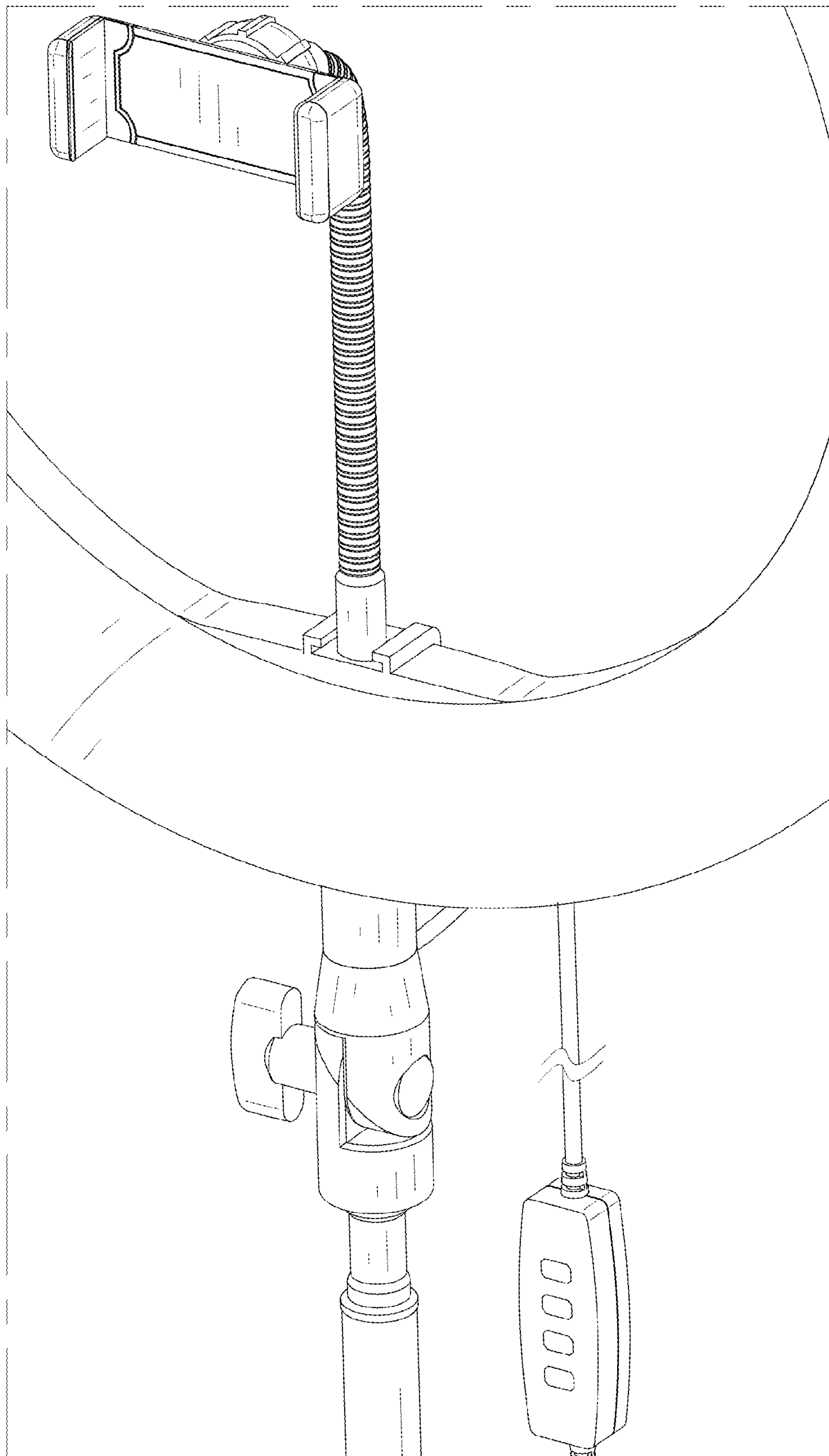


FIG. 14

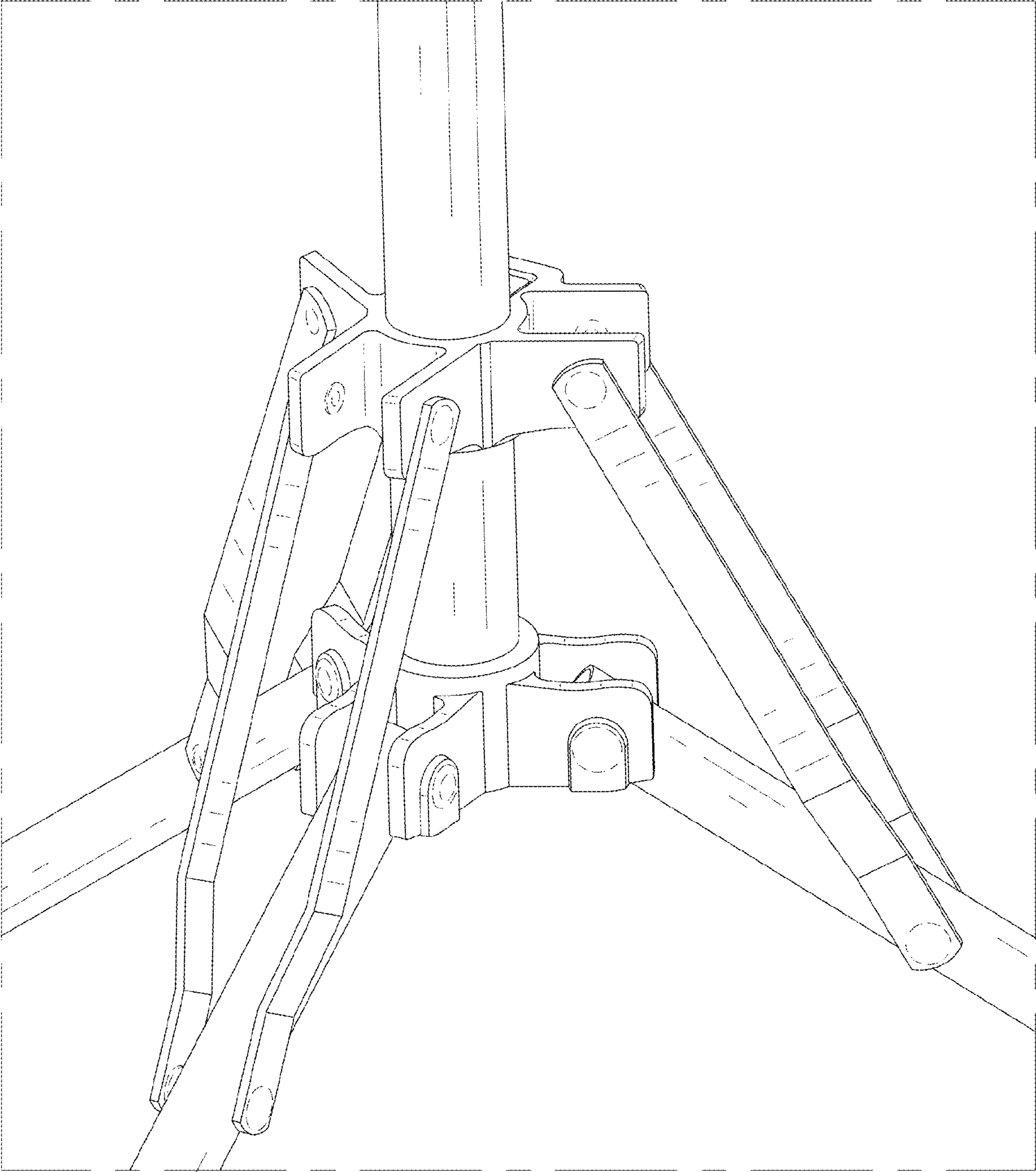


FIG. 15

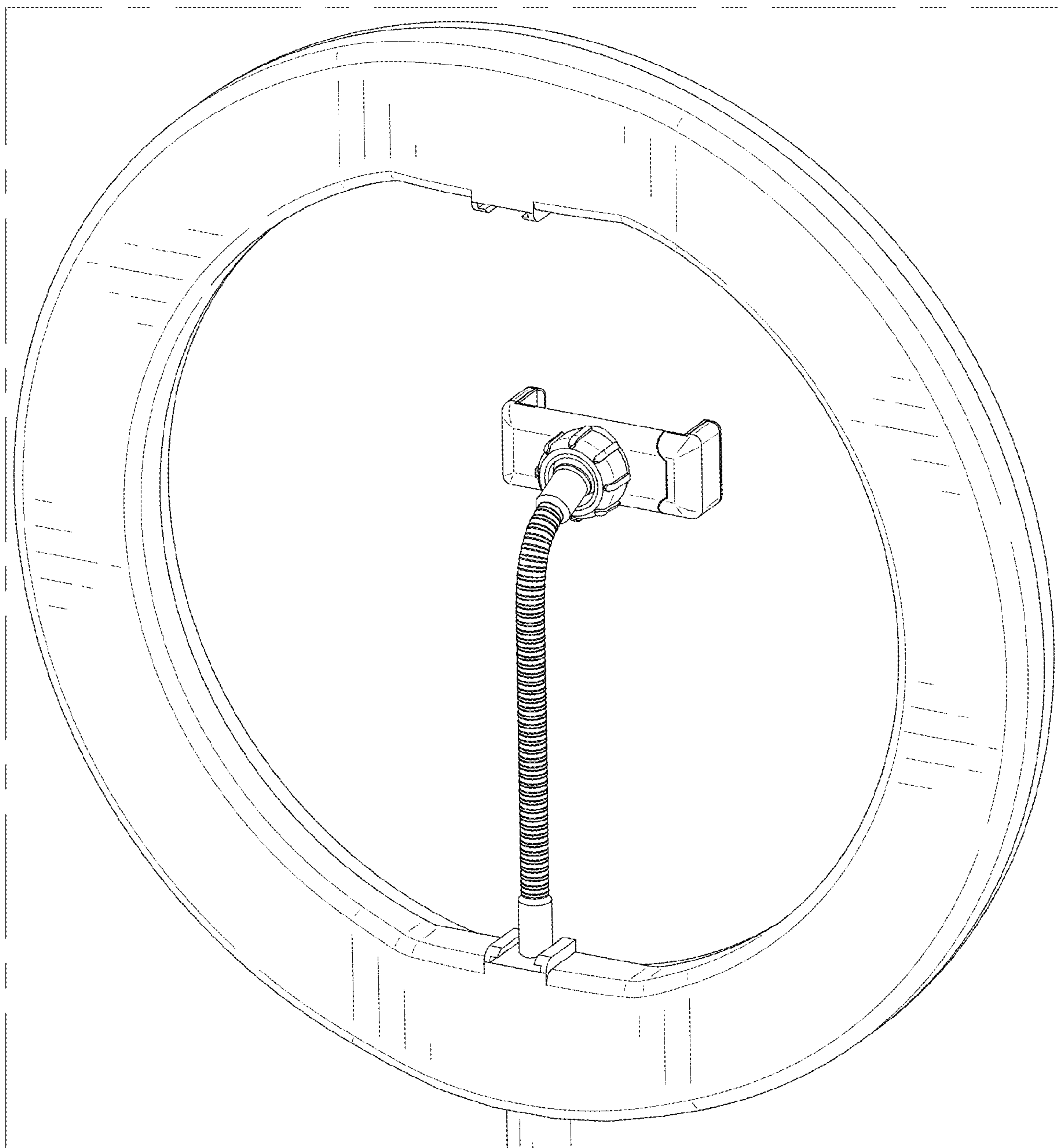


FIG. 16