



US00D880047S

(12) **United States Design Patent** (10) **Patent No.:** **US D880,047 S**
Amato et al. (45) **Date of Patent:** **** Mar. 31, 2020**

(54) **LIGHTING FIXTURE**

- (71) Applicant: **The Urban Electric Company**, North Charleston, SC (US)
- (72) Inventors: **Michael Amato**, London (GB); **David Dawson**, Charleston, SC (US); **Joeangel Casanova**, North Charleston, SC (US); **Christopher Roof**, Charleston, SC (US); **Brianna Magagnoli**, North Charleston, SC (US); **Janis Golubeckis**, Mount Pleasant, SC (US)

(73) Assignee: **The Urban Electric Company**, North Charleston, SC (US)

(**) Term: **15 Years**

(21) Appl. No.: **29/660,699**

(22) Filed: **Aug. 22, 2018**

(51) **LOC (12) Cl.** **26-03**

(52) **U.S. Cl.**
USPC **D26/87**

(58) **Field of Classification Search**
USPC D26/72, 80, 85, 86, 87, 92, 155
CPC .. F21S 8/033; F21S 8/035; F21S 8/036; F21S 8/046

See application file for complete search history.

(56) **References Cited**

U.S. PATENT DOCUMENTS

D177,716 S *	5/1956	Clemens	D26/87
2,806,941 A *	9/1957	Graziani	F21S 8/033
				362/432
4,453,204 A *	6/1984	Warshawsky	F21S 6/002
				248/296.1
D418,624 S *	1/2000	Vanderbyl	D26/87

(Continued)

OTHER PUBLICATIONS

Tyrone 1-Light Wall Wallchiere SKU: LGLY3863 from Langley Street™ Shop at wayfair.com as early as Dec. 4, 2016. (Year: 2016).*

(Continued)

Primary Examiner — Clare E Heflin
(74) *Attorney, Agent, or Firm* — Haynsworth Sinkler Boyd, P.A.

(57) **CLAIM**

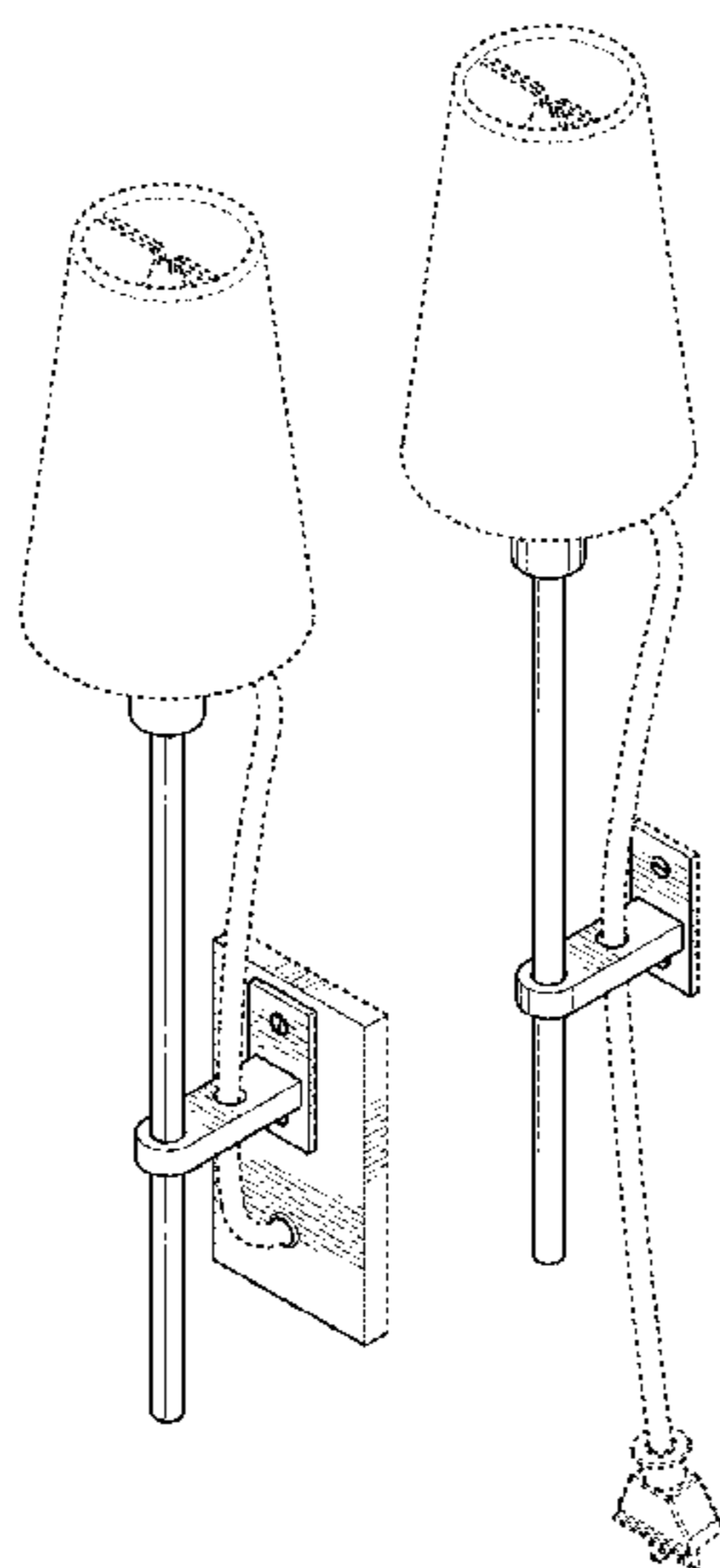
The ornamental design for a lighting fixture, as shown and described.

DESCRIPTION

FIG. 1 is a front perspective view of a first variant of a new lighting fixture;
 FIG. 2 is a back perspective view thereof;
 FIG. 3 is a front elevational view thereof;
 FIG. 4 is a left side elevational view thereof;
 FIG. 5 is a right side elevational view thereof;
 FIG. 6 is a top plan view thereof;
 FIG. 7 is a bottom plan view thereof;
 FIG. 8 is a back elevational view thereof;
 FIG. 9 is a front perspective view of a second variant of the new lighting fixture;
 FIG. 10 is a back perspective view thereof;
 FIG. 11 is a front elevational view thereof;
 FIG. 12 is a left side elevational view thereof;
 FIG. 13 is a right side elevational view thereof;
 FIG. 14 is a top plan view thereof
 FIG. 15 is a bottom plan view thereof; and,
 FIG. 16 is a back elevational view thereof.

The vertical broken lines extending from the lighting fixture in FIGS. 4, 5, 12 and 13 and the horizontal lines extending from the lighting fixture in FIGS. 6, 7, and 14 represent environmental structure which forms no part of the claimed design. The remaining broken line disclosures in the Figures represent portions of the lighting fixture which form no part of the claimed design.

1 Claim, 14 Drawing Sheets



(56)

References Cited

U.S. PATENT DOCUMENTS

D448,881	S	*	10/2001	Lin	D26/155
D570,522	S	*	6/2008	Chandler	D26/104
D573,750	S	*	7/2008	Starck	D26/87
D595,889	S	*	7/2009	Sabernig	D26/118
D605,331	S	*	12/2009	Miranda	D26/87
D716,488	S	*	10/2014	Kitts	D26/88
D824,571	S	*	7/2018	Sonneman	D26/87
D826,458	S	*	8/2018	Amato	D26/87
D835,325	S	*	12/2018	Gambrel	D26/87

OTHER PUBLICATIONS

Brunner 1-Light Wallchiere by House of Hampton at wayfair.com as early as Aug. 1, 2018. (Year: 2018).*

Cooperstown 1-Light Wallchiere from Three Posts Shop, sold at wayfair.com as early as Jun. 28, 2015. (Year: 2015).*

* cited by examiner

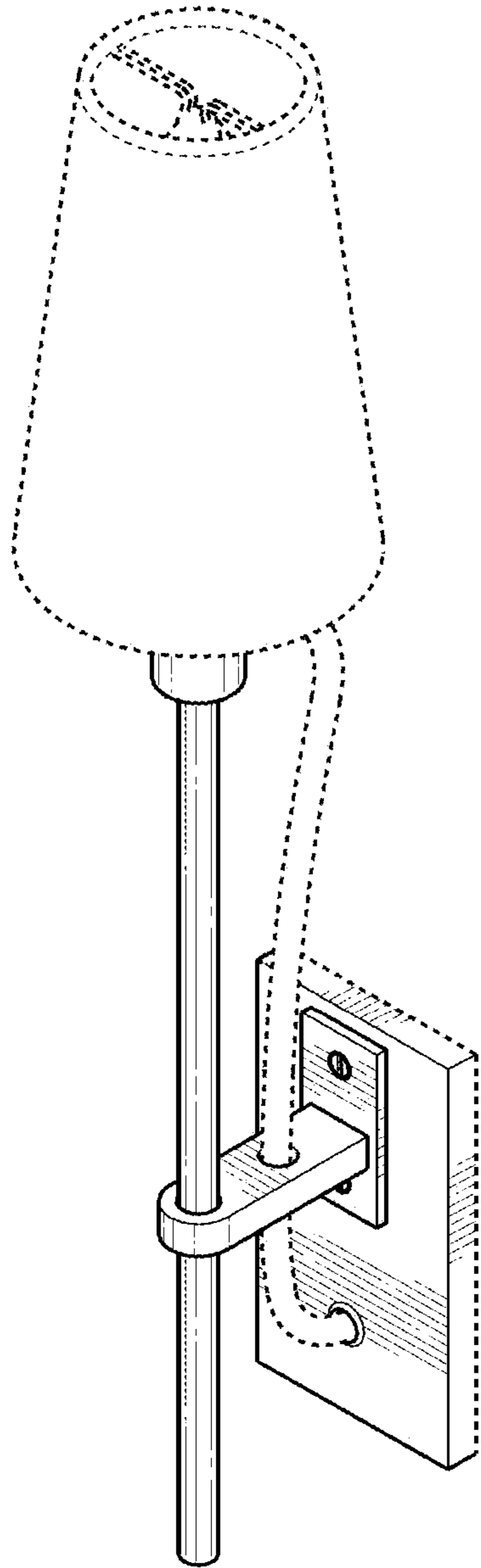


FIG. 1

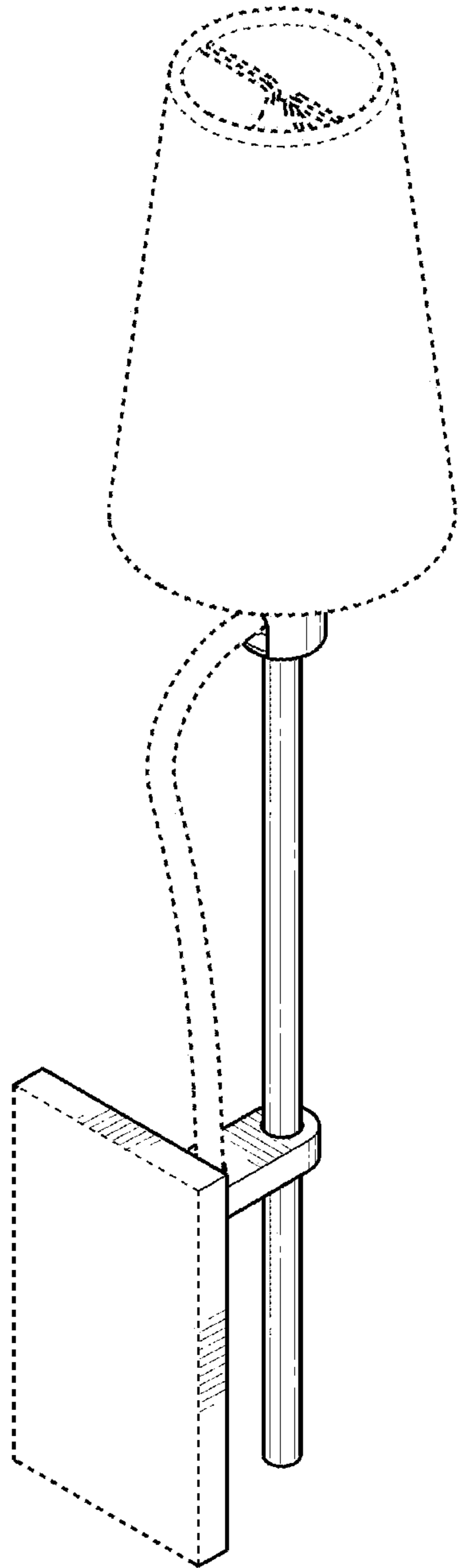


FIG. 2

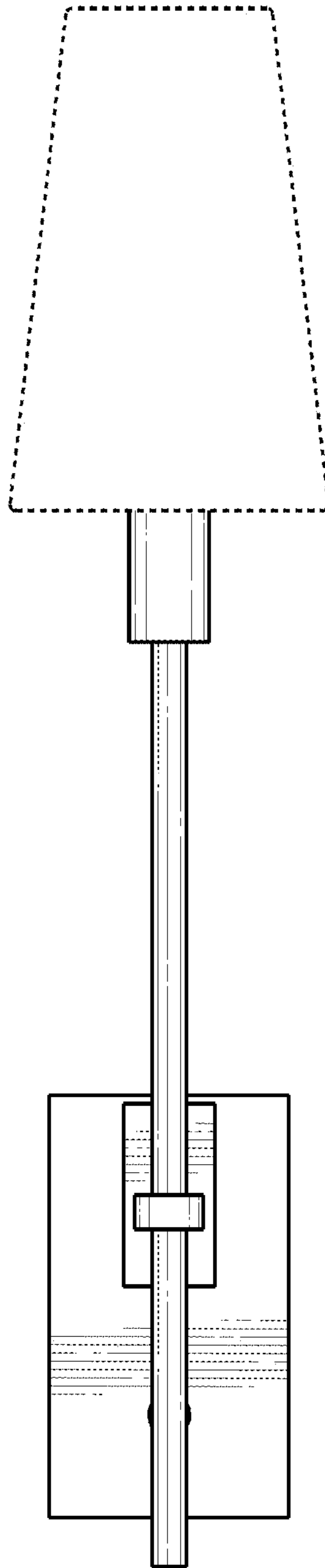


FIG. 3

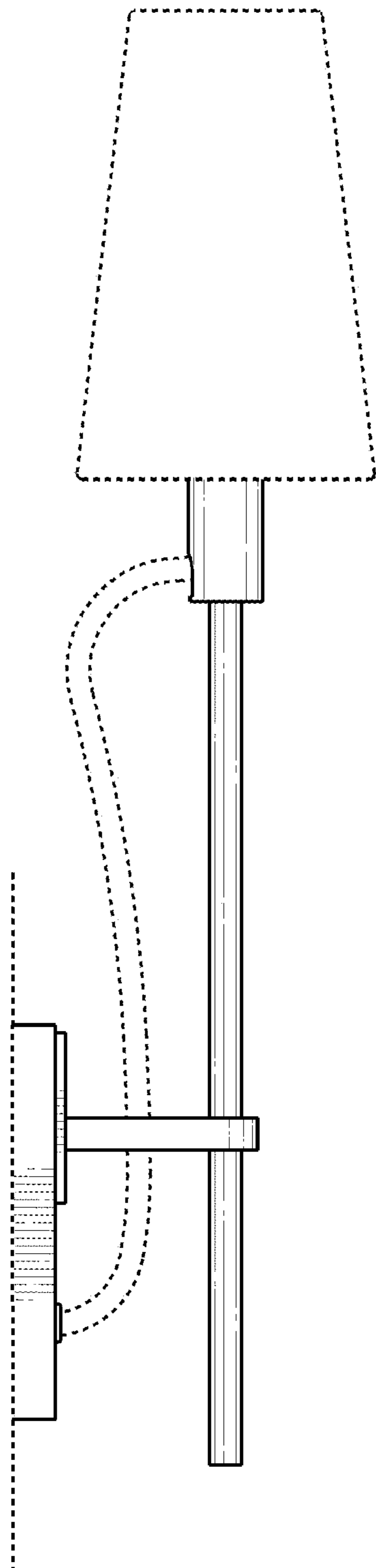


FIG. 4

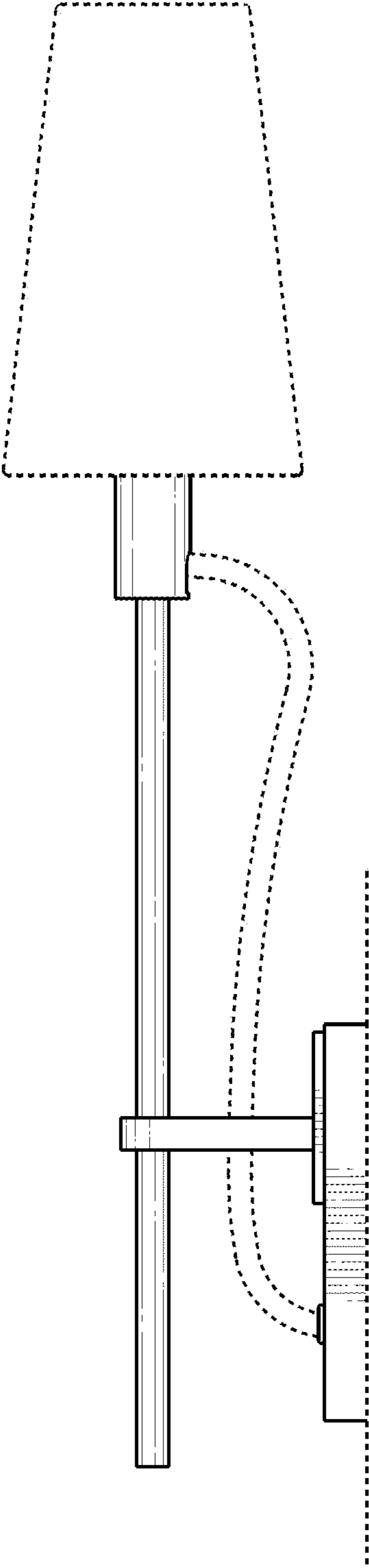


FIG. 5

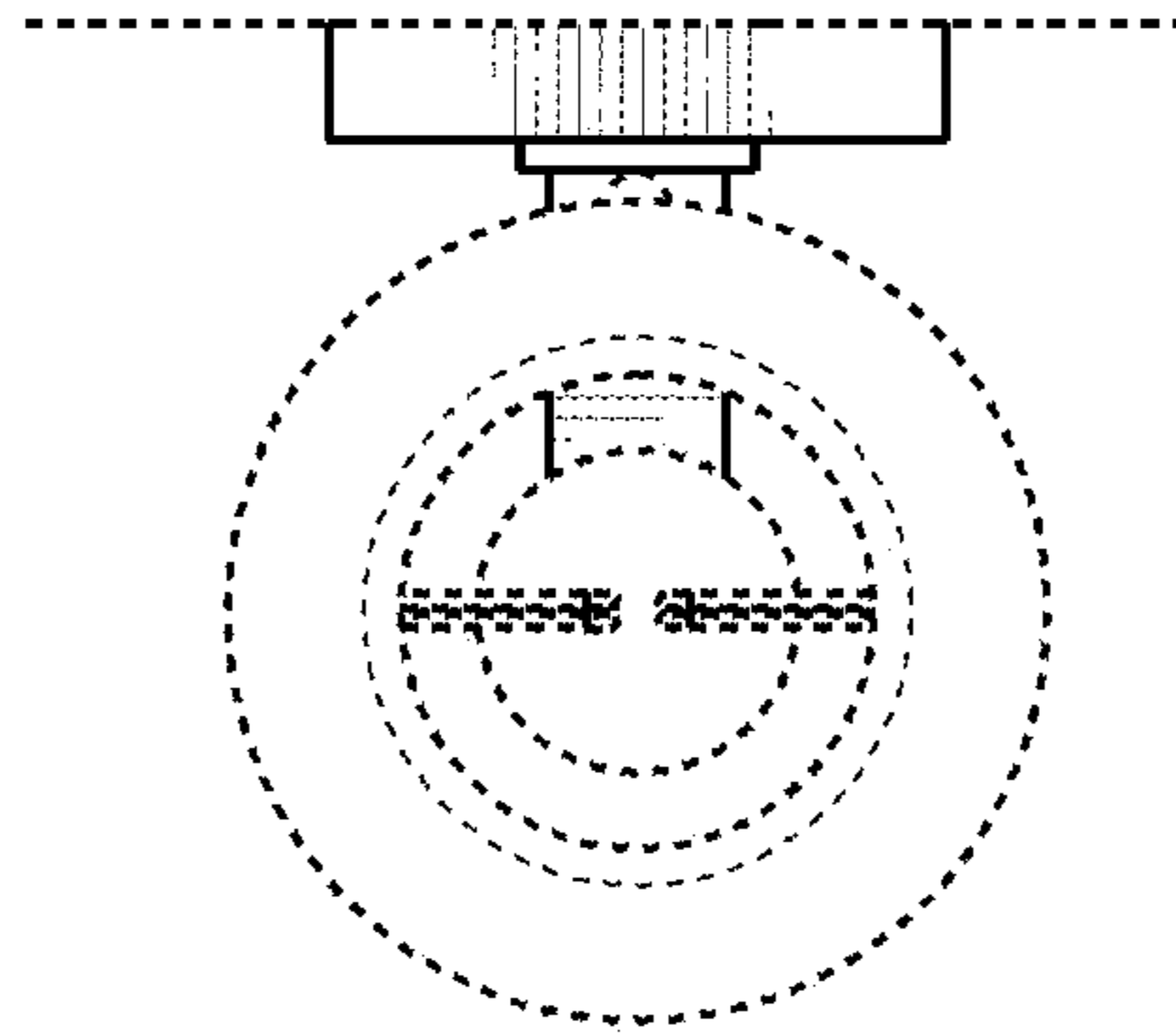


FIG. 6

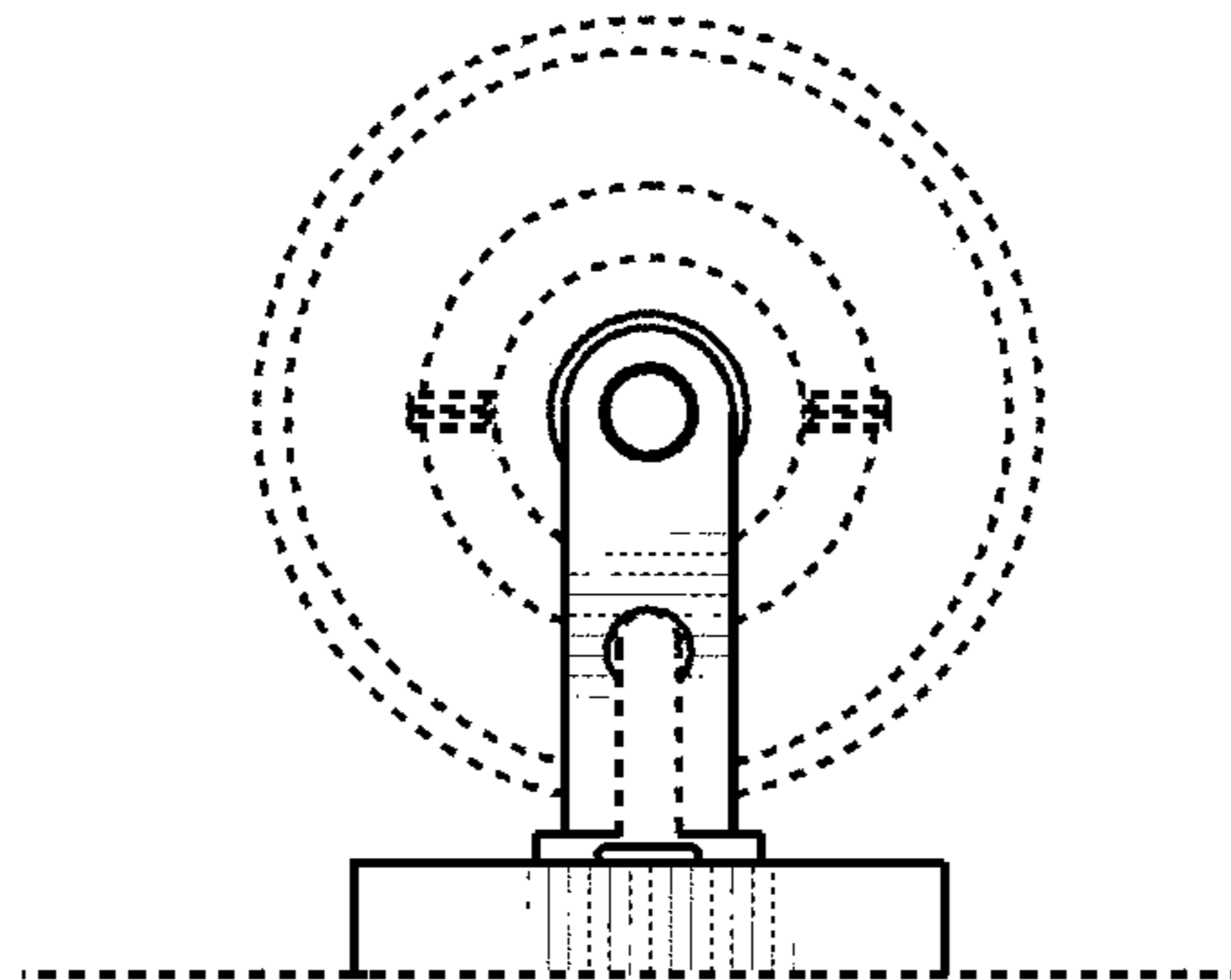


FIG. 7

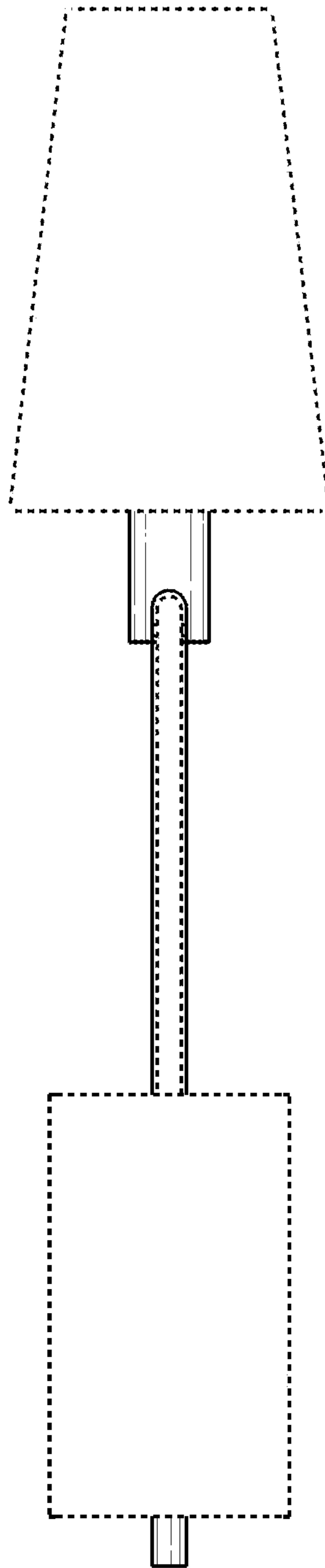


FIG. 8

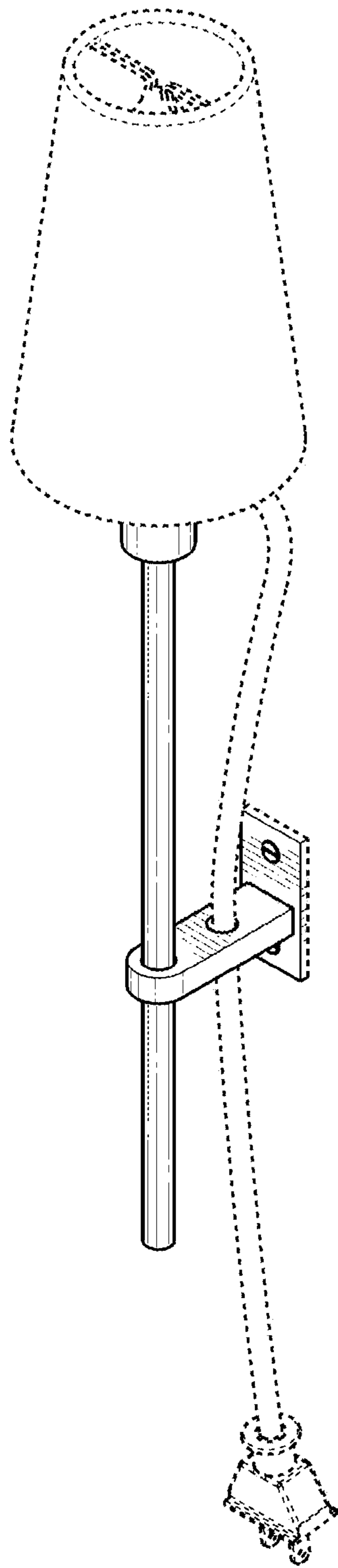


FIG. 9

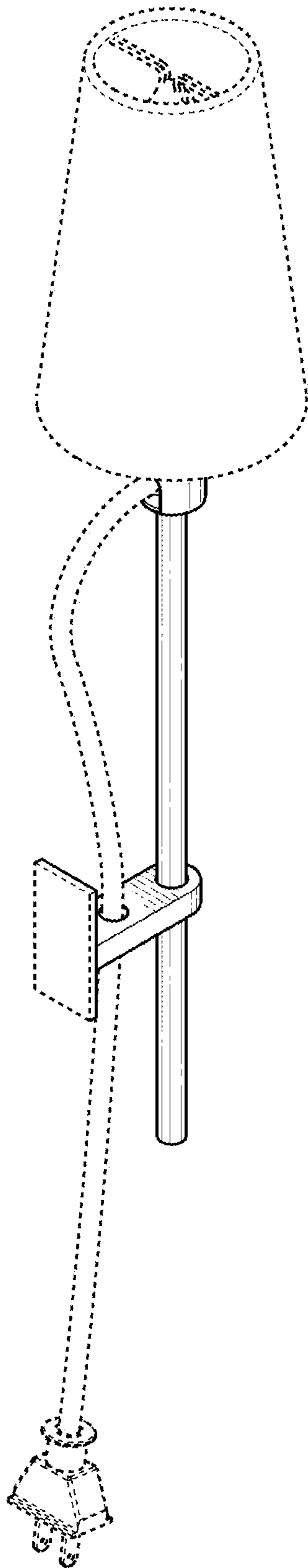


FIG. 10

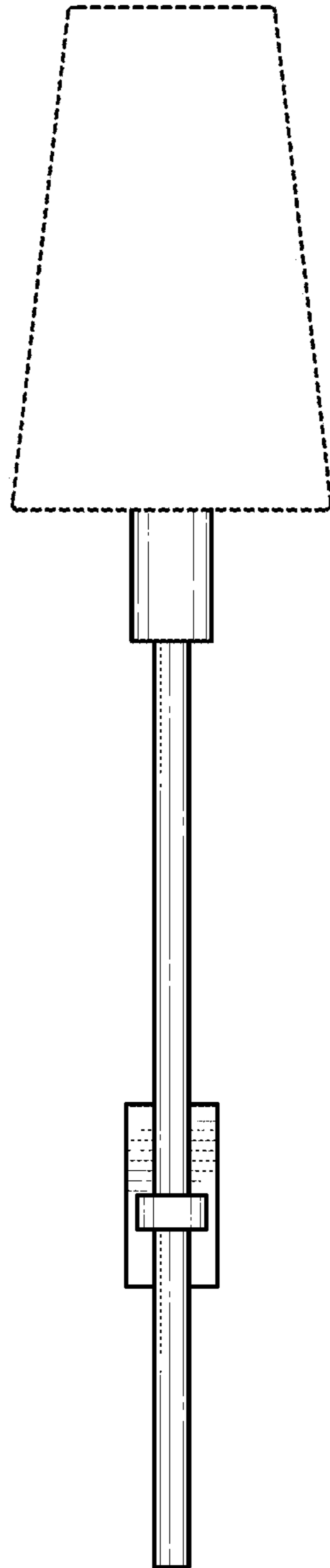


FIG. 11

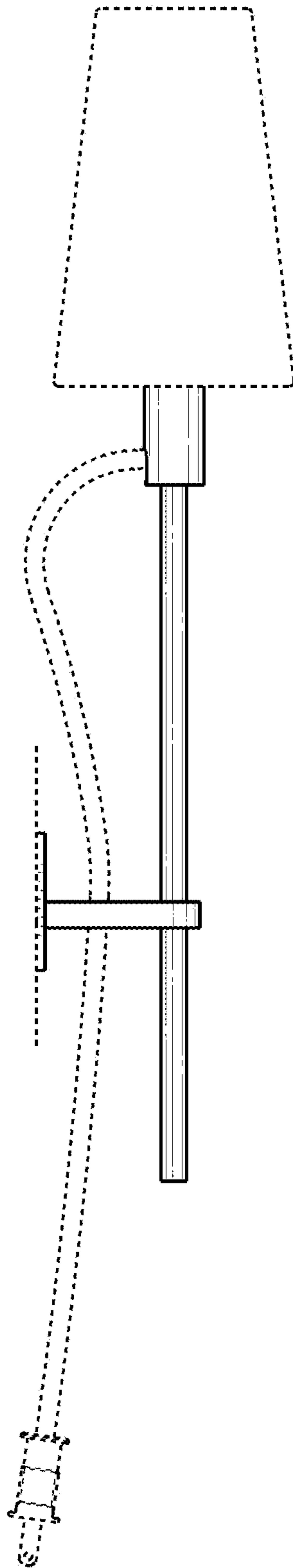


FIG. 12

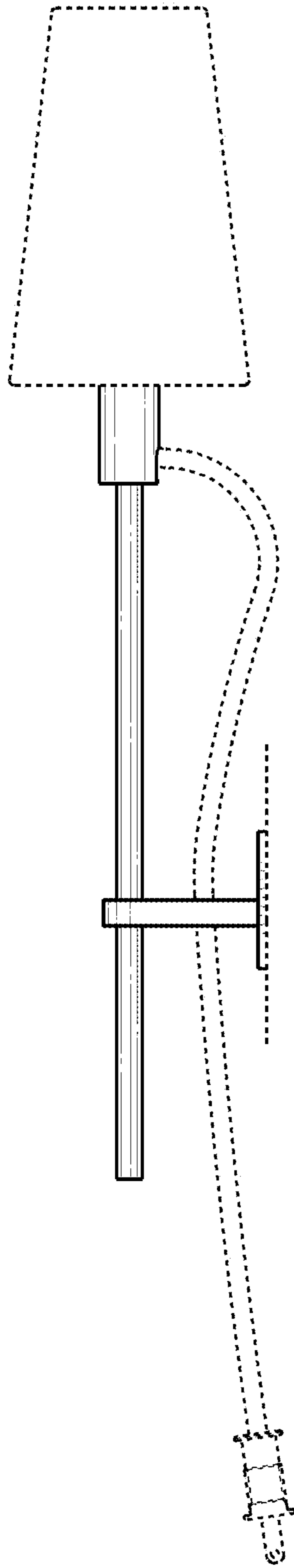


FIG. 13

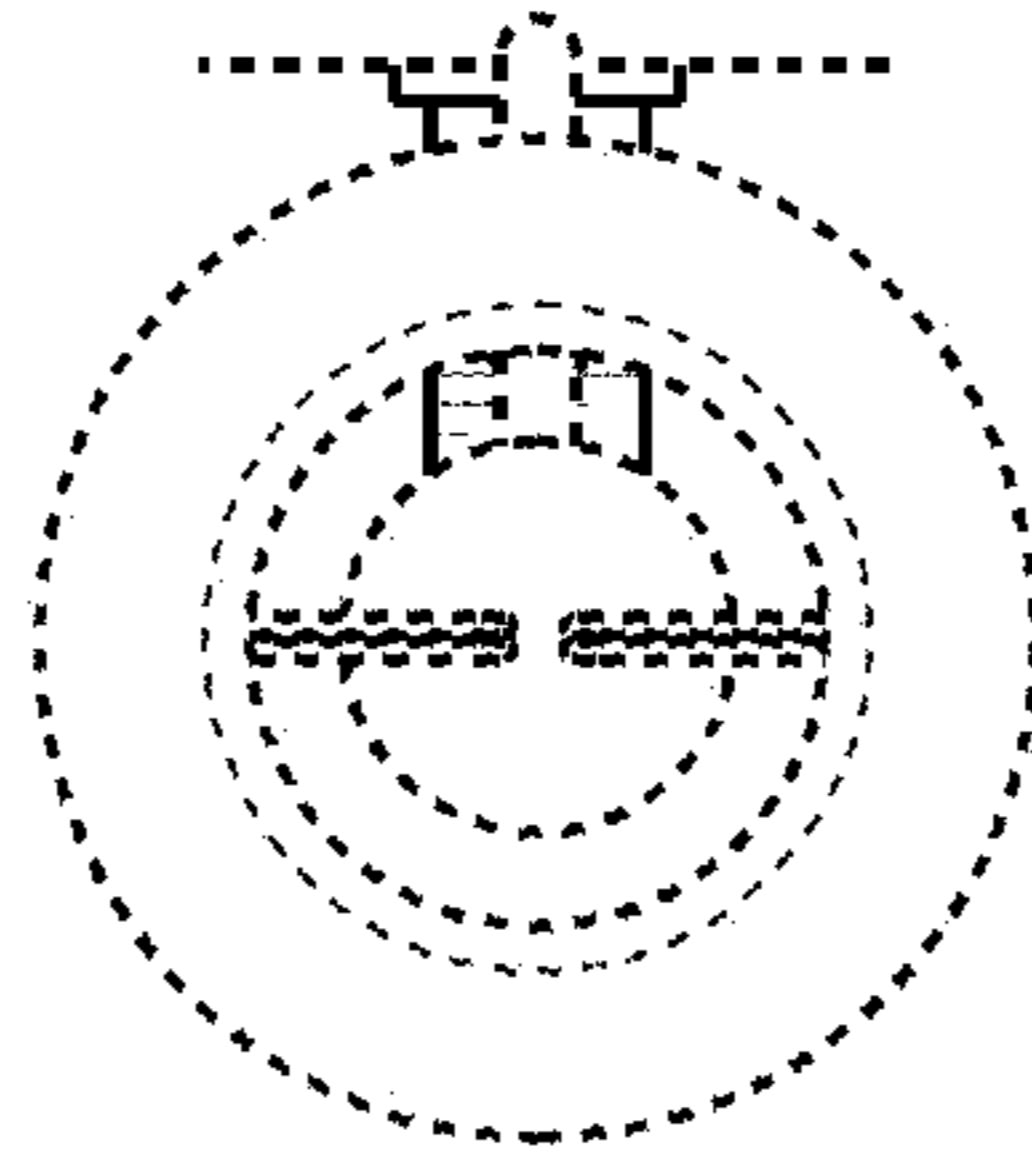


FIG. 14

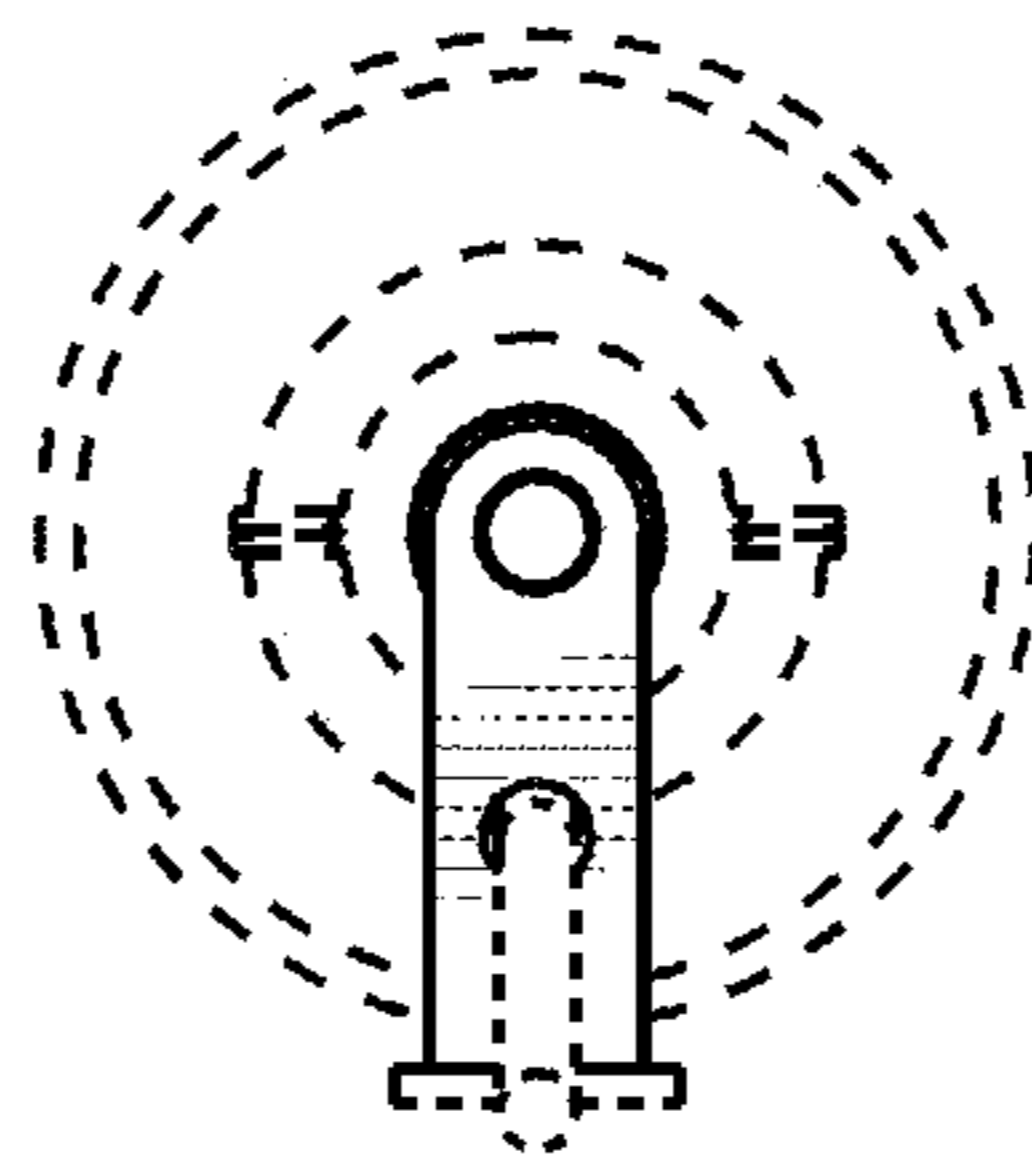


FIG. 15

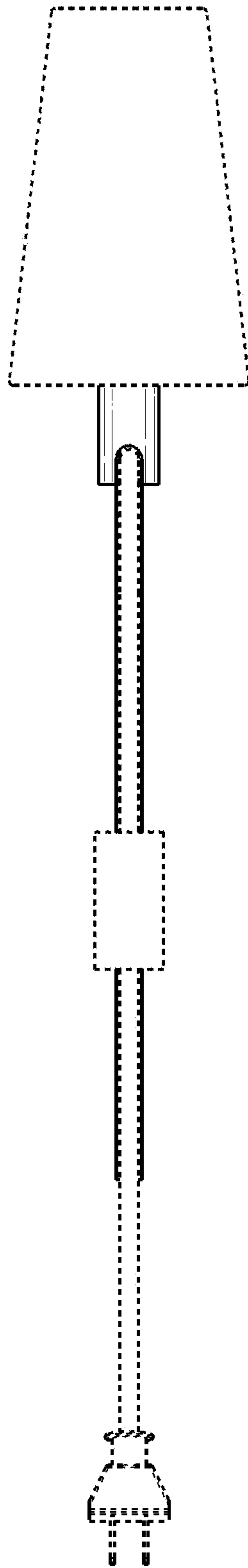


FIG. 16