



US00D880045S

(12) **United States Design Patent** (10) **Patent No.:** **US D880,045 S**
Clarkson et al. (45) **Date of Patent:** **** Mar. 31, 2020**

(54) **LIGHT FIXTURE**
(71) Applicant: **General Electric Company**,
Schenectady, NY (US)
(72) Inventors: **Richard Clarkson**, Brooklyn, NY
(US); **Tomislav Stimac**, East Cleveland,
OH (US); **Nicholas Castorano**, East
Cleveland, OH (US); **John Edward
Chancey**, East Cleveland, OH (US);
Jeffrey Patton, East Cleveland, OH
(US)

D628,739 S * 12/2010 Lu D26/113
D636,513 S * 4/2011 Furtsch D26/61
D666,764 S * 9/2012 Gilad D26/79
D681,867 S * 5/2013 Wegger D26/124
D688,289 S * 8/2013 Hodgson D16/135
D690,457 S 9/2013 Lu
D692,391 S * 10/2013 Kim D13/154
D694,928 S 12/2013 Chen
D750,823 S 3/2016 Sharrah et al.
D759,873 S * 6/2016 Saaranen D26/74

(Continued)

FOREIGN PATENT DOCUMENTS

CN 105605478 A1 5/2016

OTHER PUBLICATIONS

“Ring LED Colour Blending Table Lamp in a Polished Chrome Finish,” Retrieved from Internet URL: <https://www.castlegatelighls.co.uk/lighting-type-c16/firstlight-ring-led-colour-blending-table-lamp-in-a-polished-chrome-finish-b20970>, pp. 10

(Continued)

Primary Examiner — Natasha Vujcic
(74) *Attorney, Agent, or Firm* — Wood IP LLC

(57) **CLAIM**

The ornamental design for a light fixture, as shown and described.

DESCRIPTION

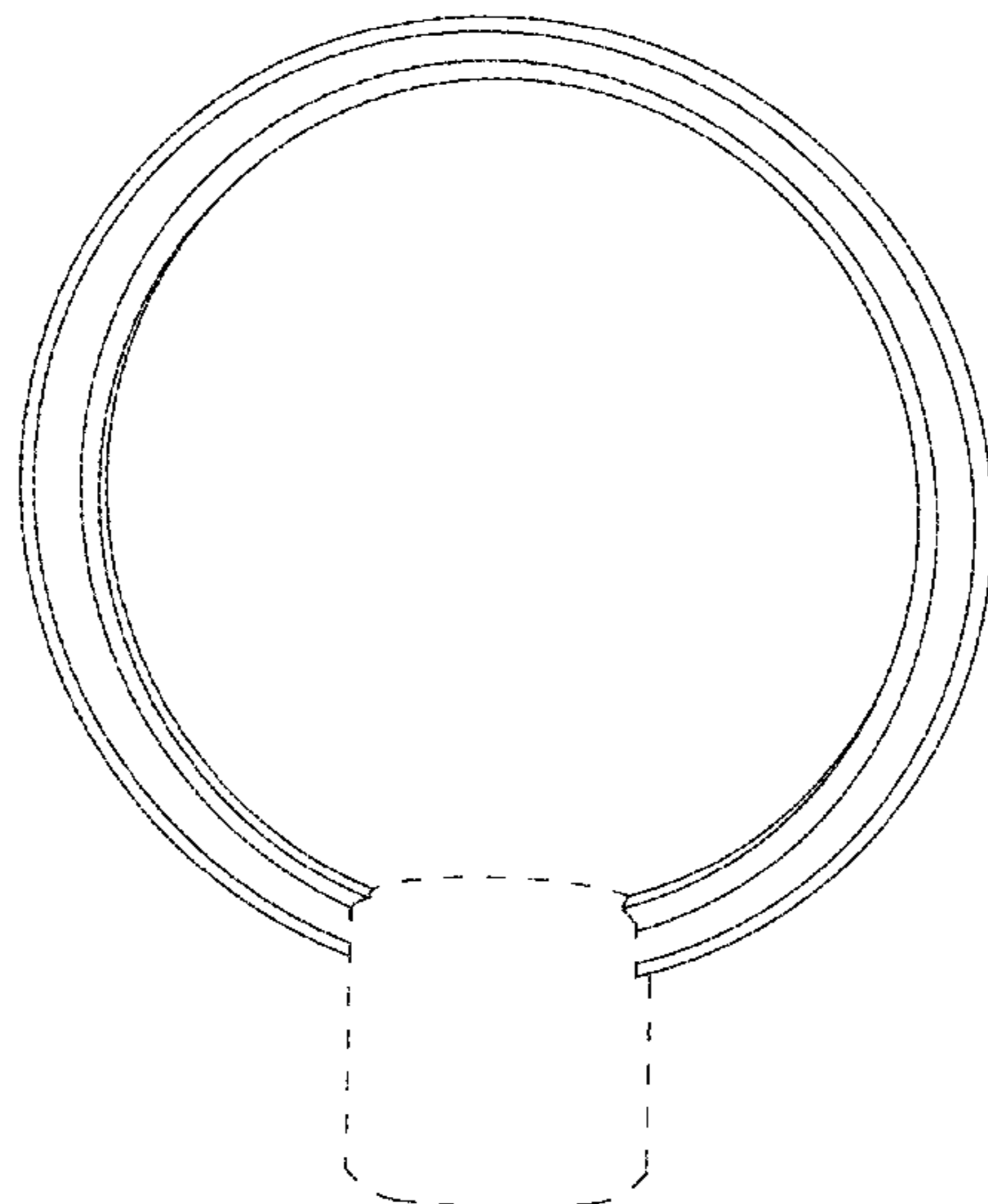
FIG. 1 is a perspective view of a light fixture in accordance with the present design;
FIG. 2 is a front view thereof;
FIG. 3 is a right side view thereof, wherein a left side view is the mirror image thereof;
FIG. 4 is a top view thereof; and,
FIG. 5 is a bottom view thereof.
The broken lines in the drawings illustrate portions of the light fixture which form no part of the claimed design.

1 Claim, 5 Drawing Sheets

(73) Assignee: **General Electric Company**,
Schenectady, NY (US)
(**) Term: **15 Years**
(21) Appl. No.: **29/609,201**
(22) Filed: **Jun. 29, 2017**
(51) **LOC (12) Cl.** **26-04**
(52) **U.S. Cl.**
USPC **D26/79; D26/106**
(58) **Field of Classification Search**
USPC D26/72, 74, 76, 78–83, 85, 86, 88, 90,
D26/93, 111, 113, 118, 119, 120, 121,
D26/122, 138, 139, 140, 141, 142, 152
CPC F21S 2/00; F21S 4/00; F21S 4/003; F21S
4/005; F21S 4/006; F21S 4/007; F21S
4/008; F21S 6/00; F21S 8/00; F21S
8/024; F21S 8/026; F21S 8/031; F21S
8/033; F21S 8/035–037; F21S 8/04; F21S
8/043; F21S 8/063
See application file for complete search history.

(56) **References Cited**
U.S. PATENT DOCUMENTS

D298,468 S 11/1988 Ramella
D364,241 S 11/1995 Jaynes
D487,528 S * 3/2004 Christensen D26/79
7,031,920 B2 4/2006 Dowling et al.



(56)

References Cited

U.S. PATENT DOCUMENTS

D808,572	S	*	1/2018	Zhang	D26/106
D822,257	S	*	7/2018	Wang	D26/76
D827,180	S		8/2018	Mou		
D835,328	S	*	12/2018	Silver	D26/90
D843,430	S	*	3/2019	Hodgson	D16/135
D854,227	S	*	7/2019	Yu	D26/106
D855,242	S	*	7/2019	Chen	D26/106
D855,859	S	*	8/2019	Crosby	D26/74
D860,485	S	*	9/2019	Yu	D26/24
2015/0154976	A1		6/2015	Mutagi		

OTHER PUBLICATIONS

Clarkson, R., et al., Light Fixture, GE co-pending U.S. Appl. No. 29/609,993, filed Jul. 7, 2017.

* cited by examiner

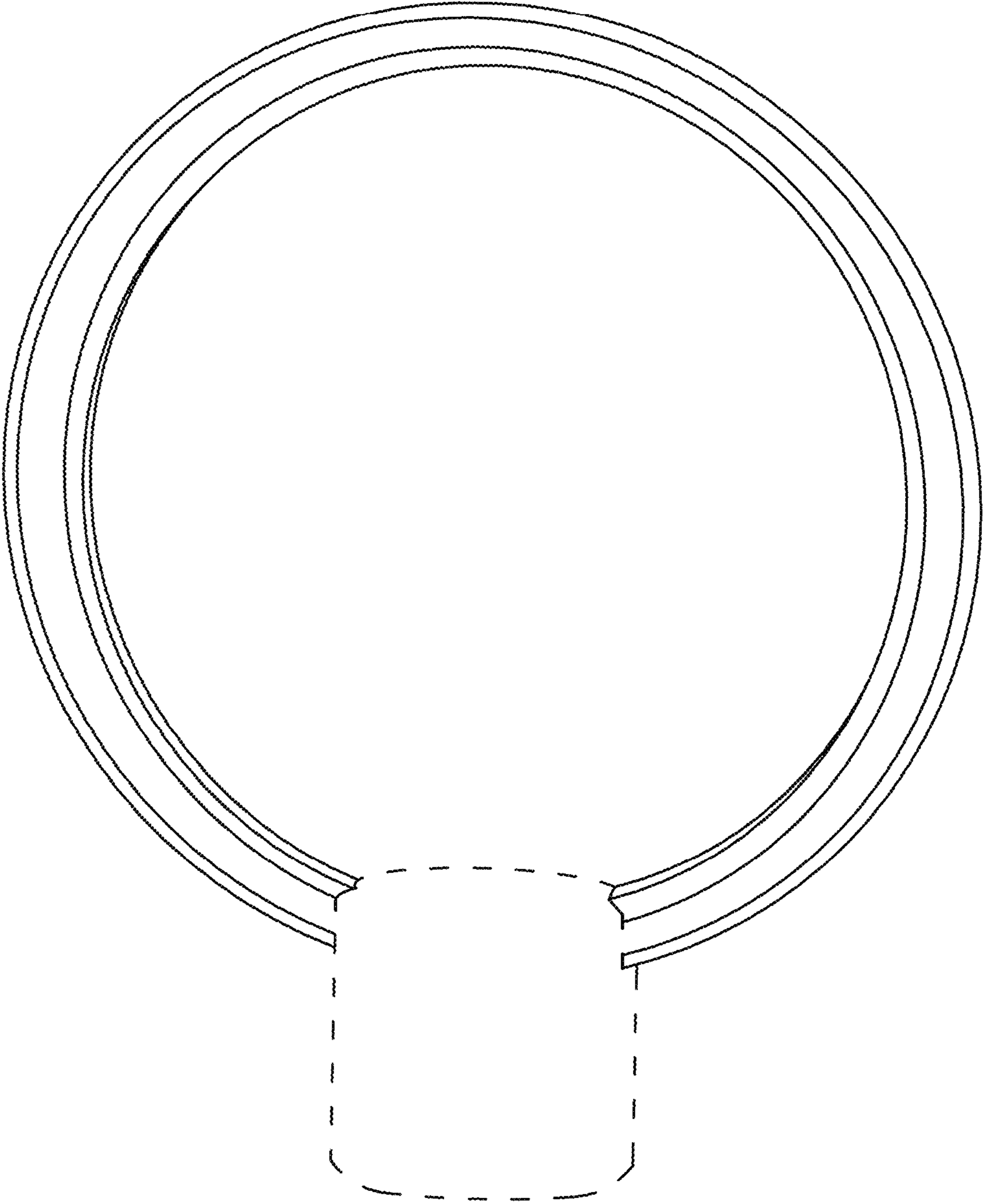


FIG. 1

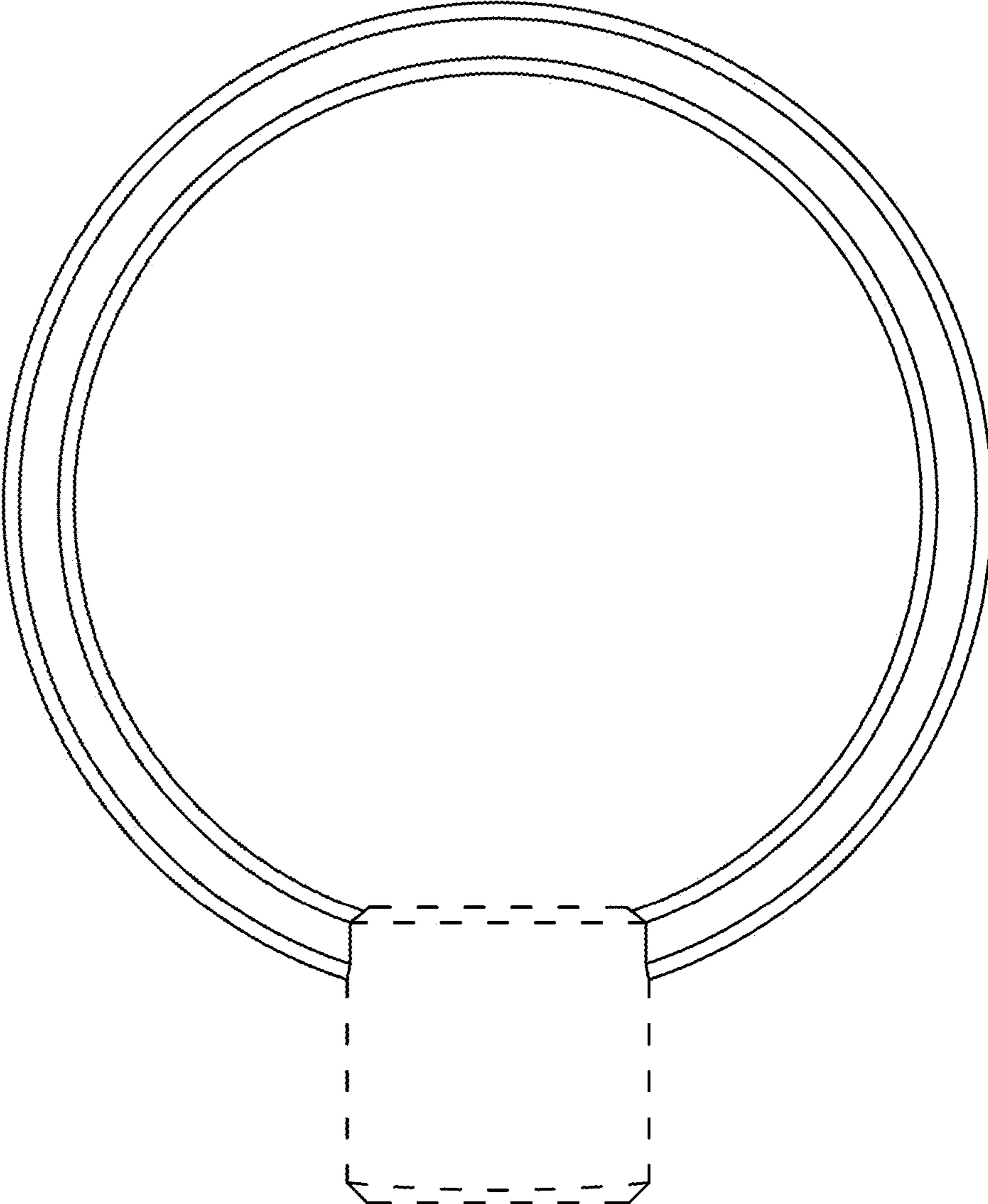


FIG. 2

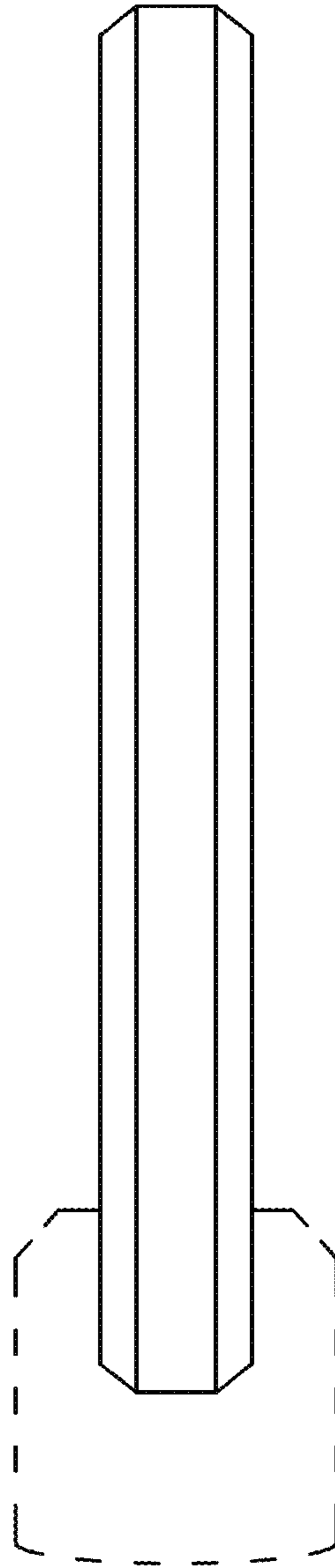


FIG. 3

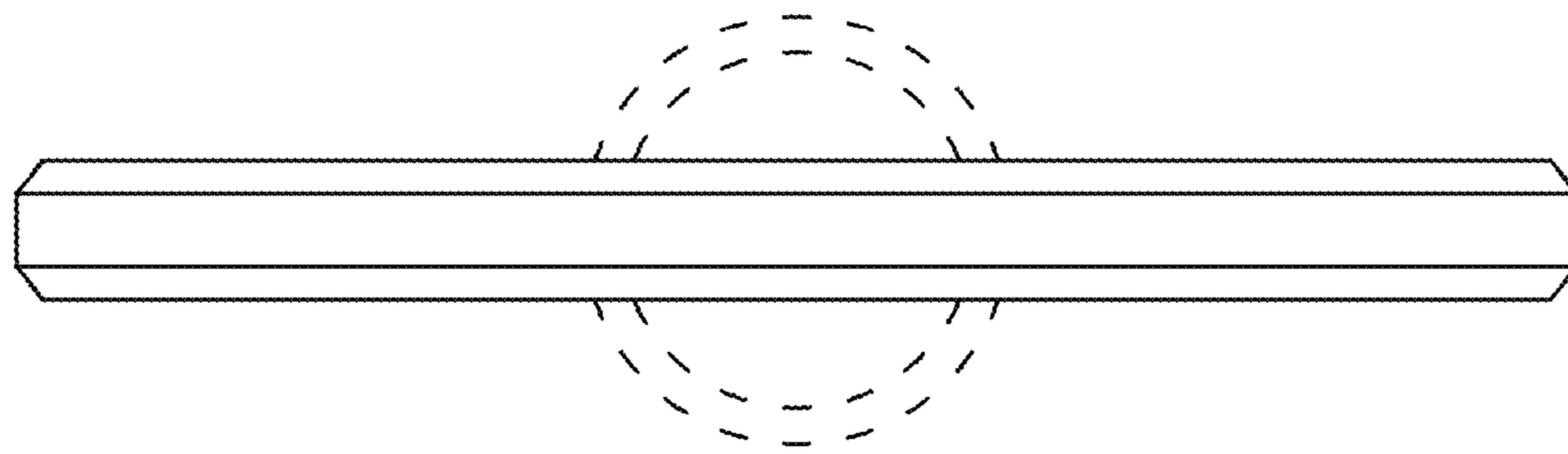


FIG. 4

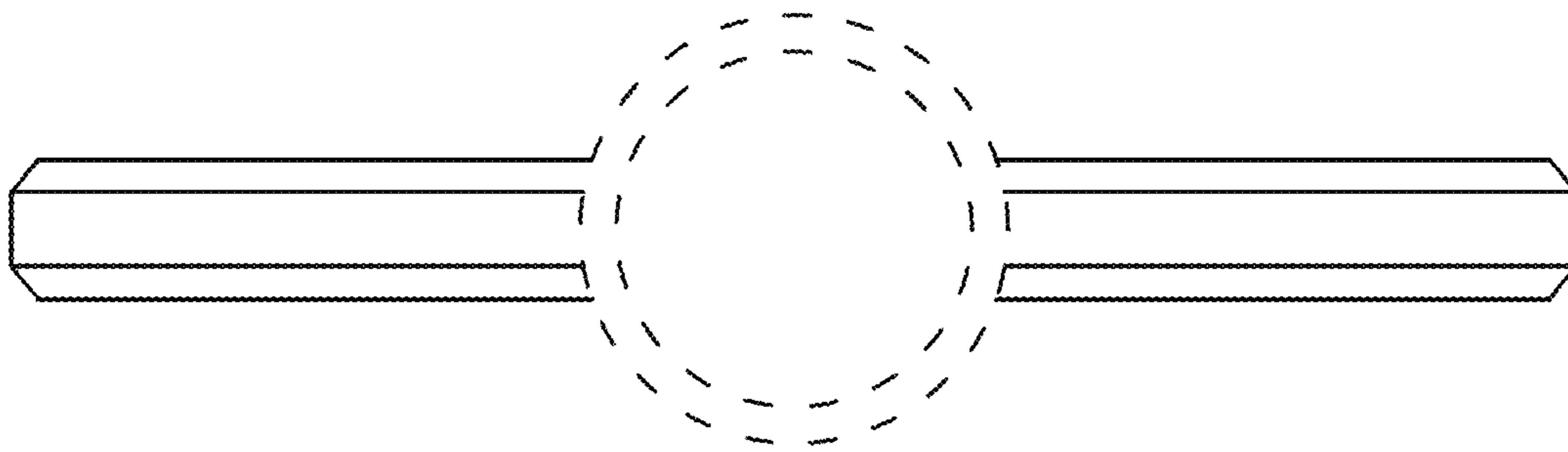


FIG. 5