



US00D880044S

(12) **United States Design Patent**
Chen

(10) **Patent No.:** **US D880,044 S**

(45) **Date of Patent:** **** Mar. 31, 2020**

(54) **LUMINAIRE**

(71) Applicant: **SIGNIFY HOLDING B.V.**, Eindhoven (NL)

(72) Inventor: **Jenny Chen**, Shanghai (CN)

(73) Assignee: **SIGNIFY HOLDING B.V.**, Eindhoven (NL)

(**) Term: **15 Years**

(21) Appl. No.: **29/654,039**

(22) Filed: **Jun. 20, 2018**

(30) **Foreign Application Priority Data**

Feb. 1, 2018 (EM) 004689685-0001

(51) **LOC (12) Cl.** **26-04**

(52) **U.S. Cl.**
USPC **D26/76**

(58) **Field of Classification Search**
USPC D26/72, 74, 76, 78-83, 85, 86, 88, 90,
D26/93, 111, 113, 118, 119, 120, 121,
D26/122, 138, 139, 140, 141, 142, 152
CPC F21S 2/00; F21S 4/00; F21S 4/003; F21S
4/005; F21S 4/006; F21S 4/007; F21S
4/008; F21S 6/00; F21S 8/00; F21S
8/024; F21S 8/026; F21S 8/031; F21S
8/033; F21S 8/035-037; F21S 8/04; F21S
8/043; F21S 8/063
See application file for complete search history.

(56) **References Cited**

U.S. PATENT DOCUMENTS

D418,936 S * 1/2000 Dunning D26/3
D459,012 S * 6/2002 Shemitz D26/76

D472,007 S * 3/2003 Weitgasser D26/76
D481,483 S * 10/2003 Waugh D26/76
RE40,158 E * 3/2008 Weitgasser D26/76
D604,885 S * 11/2009 Ford D26/76
D607,598 S * 1/2010 Xiao D26/76
D607,599 S * 1/2010 Zhou D26/76
D671,254 S * 11/2012 Miyatake D26/75
D695,440 S * 12/2013 Kim D26/72
D701,989 S * 4/2014 Rodgers D26/76
D732,225 S * 6/2015 Grandsart D26/76
D733,347 S * 6/2015 Dungan D26/76
D747,030 S * 1/2016 Pfund F21V 21/00
D26/138
D791,383 S * 7/2017 Yu D26/76
D808,061 S * 1/2018 Wouters D26/78
D822,872 S * 7/2018 Frederiksen D26/76
D850,706 S * 6/2019 Pearson F21S 8/033
D26/120

* cited by examiner

Primary Examiner — Natasha Vujcic

(74) *Attorney, Agent, or Firm* — Daniel J. Piotrowski

(57) **CLAIM**

The ornamental design for a “luminaire”, as shown and described.

DESCRIPTION

FIG. 1 is a top perspective view of a luminaire showing my design;

FIG. 2 is a front side elevational thereof;

FIG. 3 is a rear elevational view thereof;

FIG. 4 is a right side elevational view thereof;

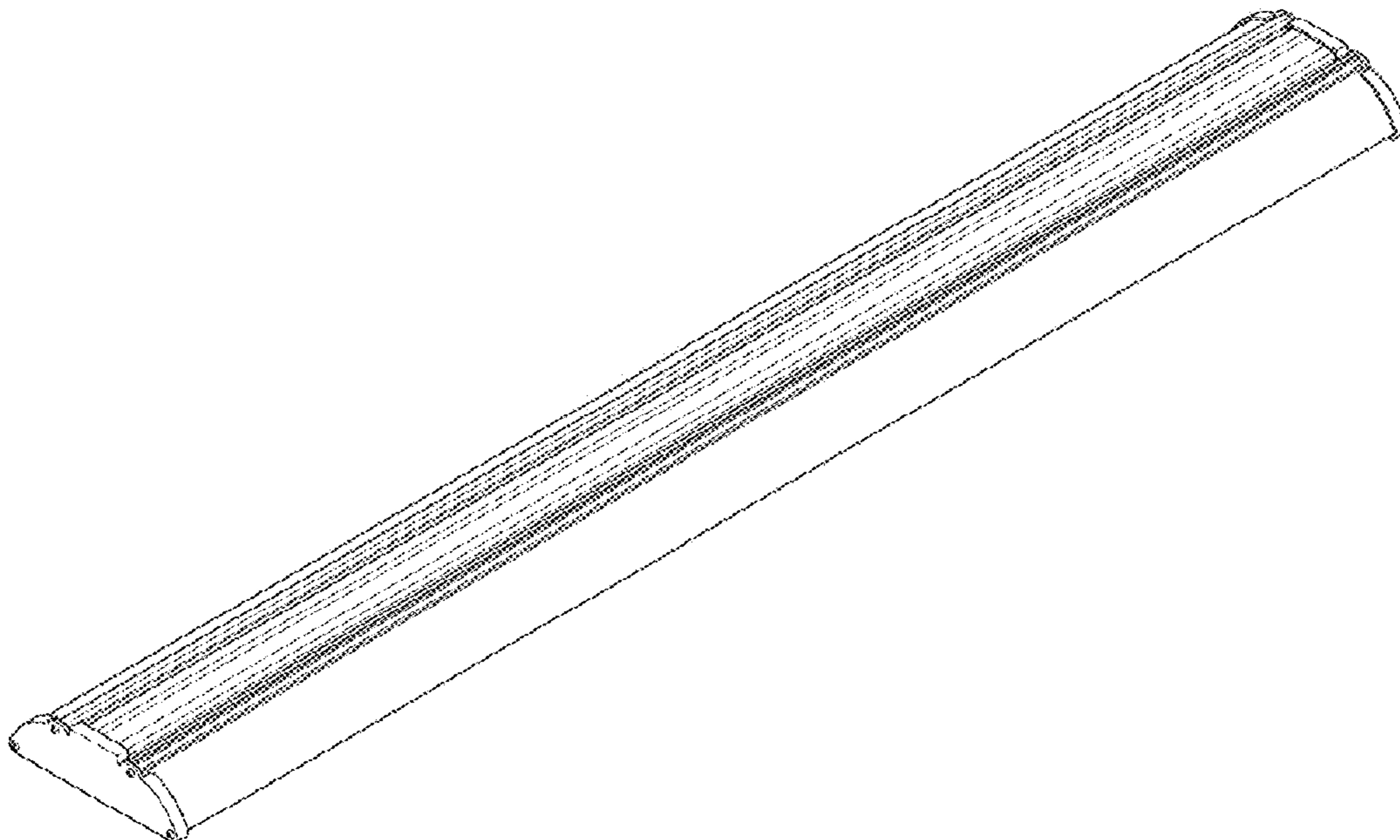
FIG. 5 is a left side elevational view thereof;

FIG. 6 is a top plan view thereof; and,

FIG. 7 is a bottom plan view thereof.

The broken lines in the drawings illustrate portions of the luminaire which forms no part of the claimed design.

1 Claim, 2 Drawing Sheets



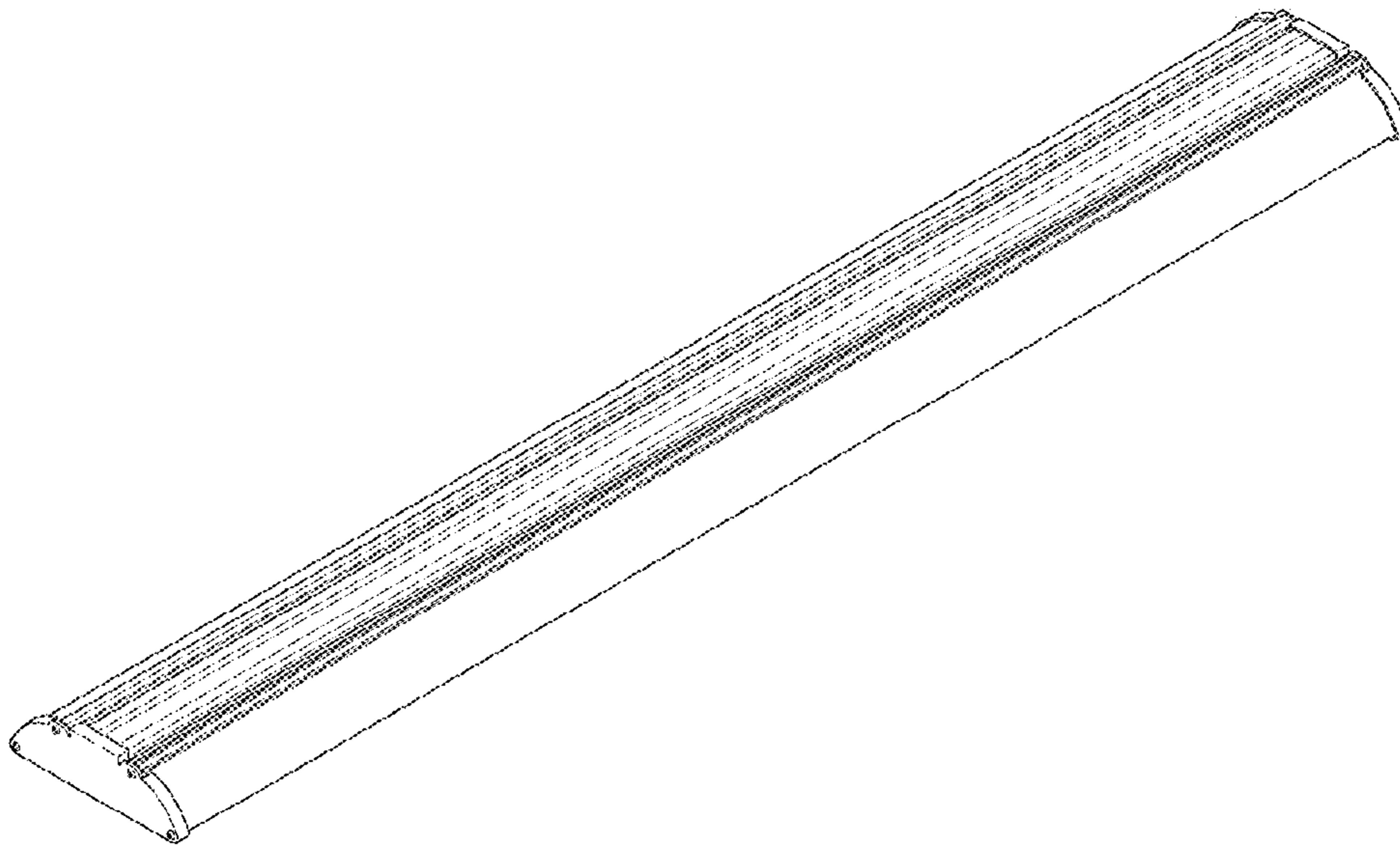


FIG. 1

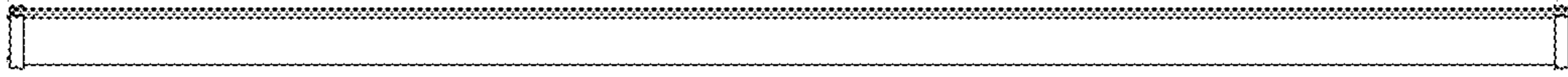


FIG. 2

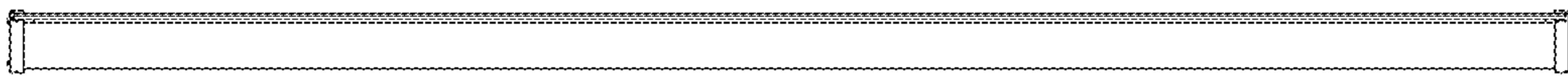


FIG. 3



FIG. 4

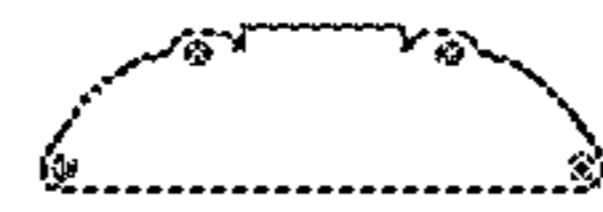


FIG. 5

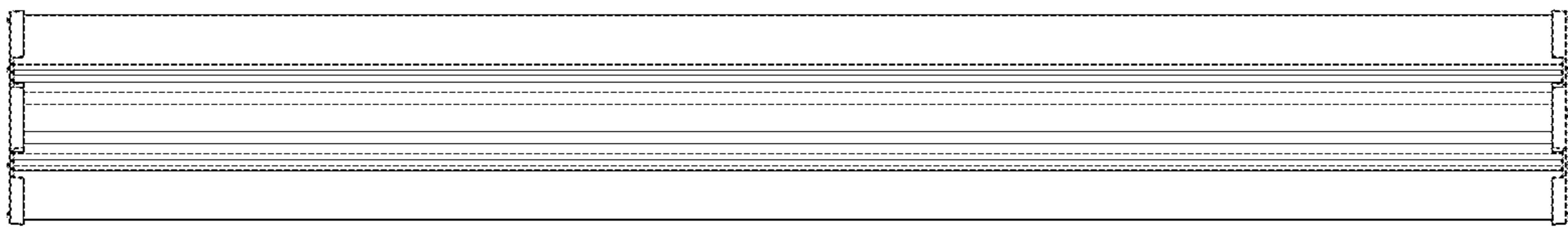


FIG. 6

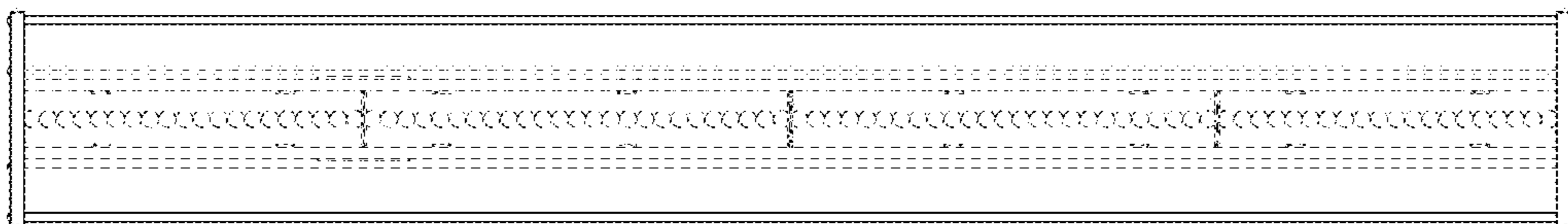


FIG. 7