



US00D880043S

(12) **United States Design Patent** (10) **Patent No.:** **US D880,043 S**  
**Guerra et al.** (45) **Date of Patent:** **\*\* Mar. 31, 2020**

(54) **LUMINAIRE**  
(71) Applicant: **Hubbell Incorporated**, Shelton, CT (US)  
(72) Inventors: **George Guerra**, Chino Hills, CA (US); **Kevin Lu**, Fountain Valley, CA (US); **Syed Raza**, Rancho Palos Verdes, CA (US); **Dean Dal Ponte**, Glendale, CA (US); **Carol Acedo**, Fort Worth, TX (US); **Benjamin Peirick**, Greenville, SC (US)  
(73) Assignee: **Hubbell Incorporated**, Shelton, CT (US)  
(\*\*) Term: **15 Years**  
(21) Appl. No.: **29/627,957**  
(22) Filed: **Nov. 30, 2017**  
(51) **LOC (12) Cl.** ..... **26-04**  
(52) **U.S. Cl.**  
USPC ..... **D26/76**  
(58) **Field of Classification Search**  
USPC ..... D26/72, 74, 76, 78-83, 85, 86, 88, 90, D26/93, 111, 113, 118, 119, 120, 121, D26/122, 138, 139, 140, 141, 142, 152  
CPC ..... F21S 2/00; F21S 4/00; F21S 4/003; F21S 4/005; F21S 4/006; F21S 4/007; F21S 4/008; F21S 6/00; F21S 8/00; F21S 8/024; F21S 8/026; F21S 8/031; F21S 8/033; F21S 8/035-037; F21S 8/04; F21S 8/043; F21S 8/063  
See application file for complete search history.

D603,548 S \* 11/2009 Pei ..... D26/76  
D610,293 S \* 2/2010 Klaus ..... D26/76  
D624,229 S \* 9/2010 Adolph ..... D26/76  
D629,554 S \* 12/2010 Gielen ..... D26/76  
D727,551 S \* 4/2015 Clark ..... D26/88  
D735,392 S \* 7/2015 Ng ..... D26/76  
D756,553 S \* 5/2016 Kim ..... D26/76  
D766,487 S \* 9/2016 Cai ..... D26/76  
(Continued)

**OTHER PUBLICATIONS**

Lumenpulse, Lumenline Family Catalogue, 2017, Canada (53 pages).  
Pinnacle Architectural Lighting, Edge Brochure, Sep. 2013, Denver, Colorado (40 pages).

*Primary Examiner* — Natasha Vujcic  
(74) *Attorney, Agent, or Firm* — Michael Best & Friedrich, LLP

(57) **CLAIM**

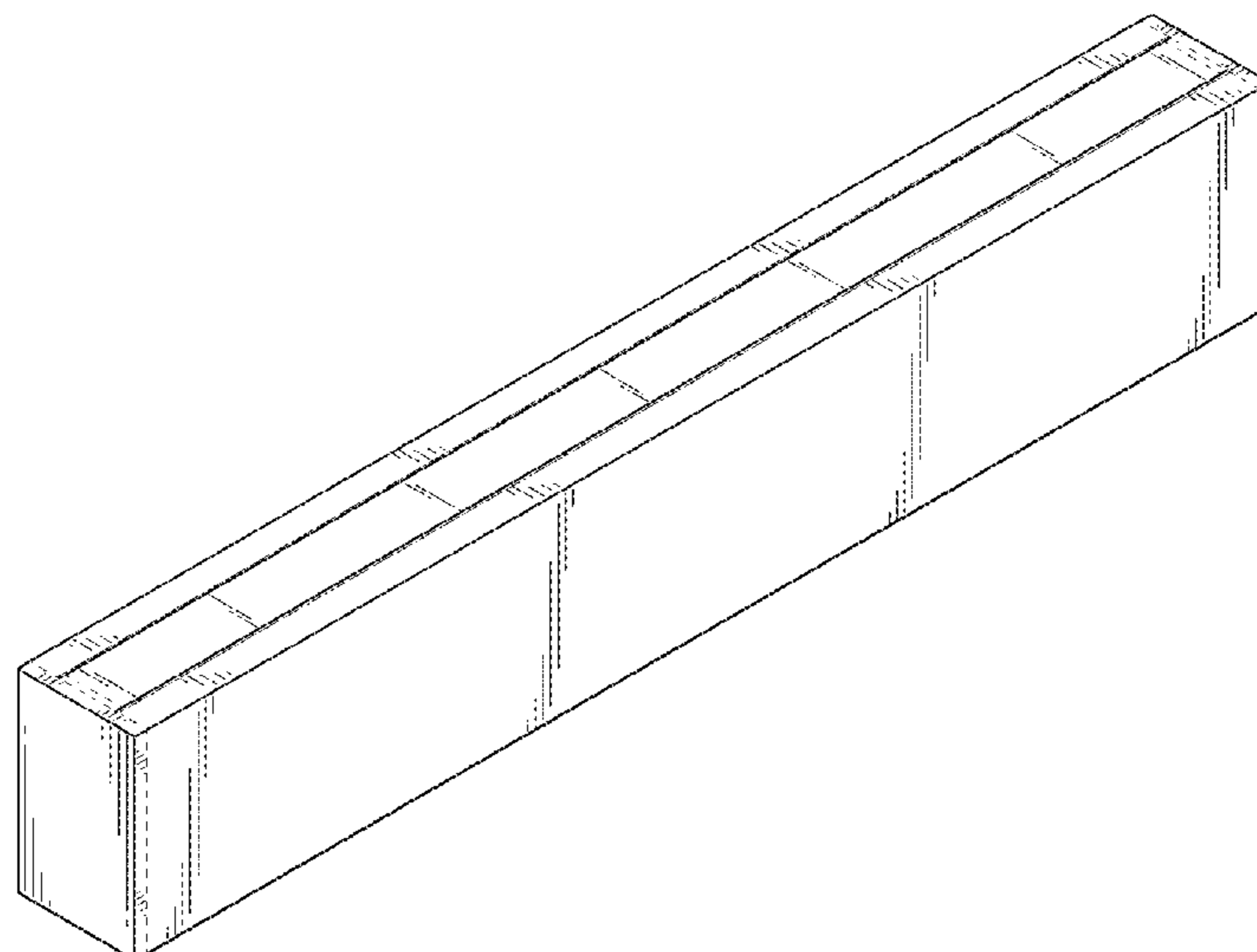
We claim the ornamental design for a luminaire, as shown and described.

**DESCRIPTION**

FIG. 1 is a first perspective view of a luminaire according to a new design.  
FIG. 2 is a second perspective view of the luminaire of FIG. 1.  
FIG. 3 is a first plan view of the luminaire of FIG. 1 illustrating a first light emitting surface.  
FIG. 4 is a second plan view of the luminaire of FIG. 1 illustrating a second light emitting surface.  
FIG. 5 is a front view of the luminaire of FIG. 1.  
FIG. 6 is a rear view of the luminaire of FIG. 1.  
FIG. 7 is a first side elevation view of the luminaire of FIG. 1; and,  
FIG. 8 is a second side elevation view of the luminaire of FIG. 1.  
The broken lines in the drawings illustrate portions of the luminaire which forms no part of the claimed design.

**1 Claim, 3 Drawing Sheets**

(56) **References Cited**  
U.S. PATENT DOCUMENTS  
D295,086 S \* 4/1988 Morten ..... D26/76  
D397,818 S \* 9/1998 Herst ..... D26/119  
D502,565 S \* 3/2005 Hetfield ..... D26/76  
D580,583 S \* 11/2008 Pfund ..... D26/76



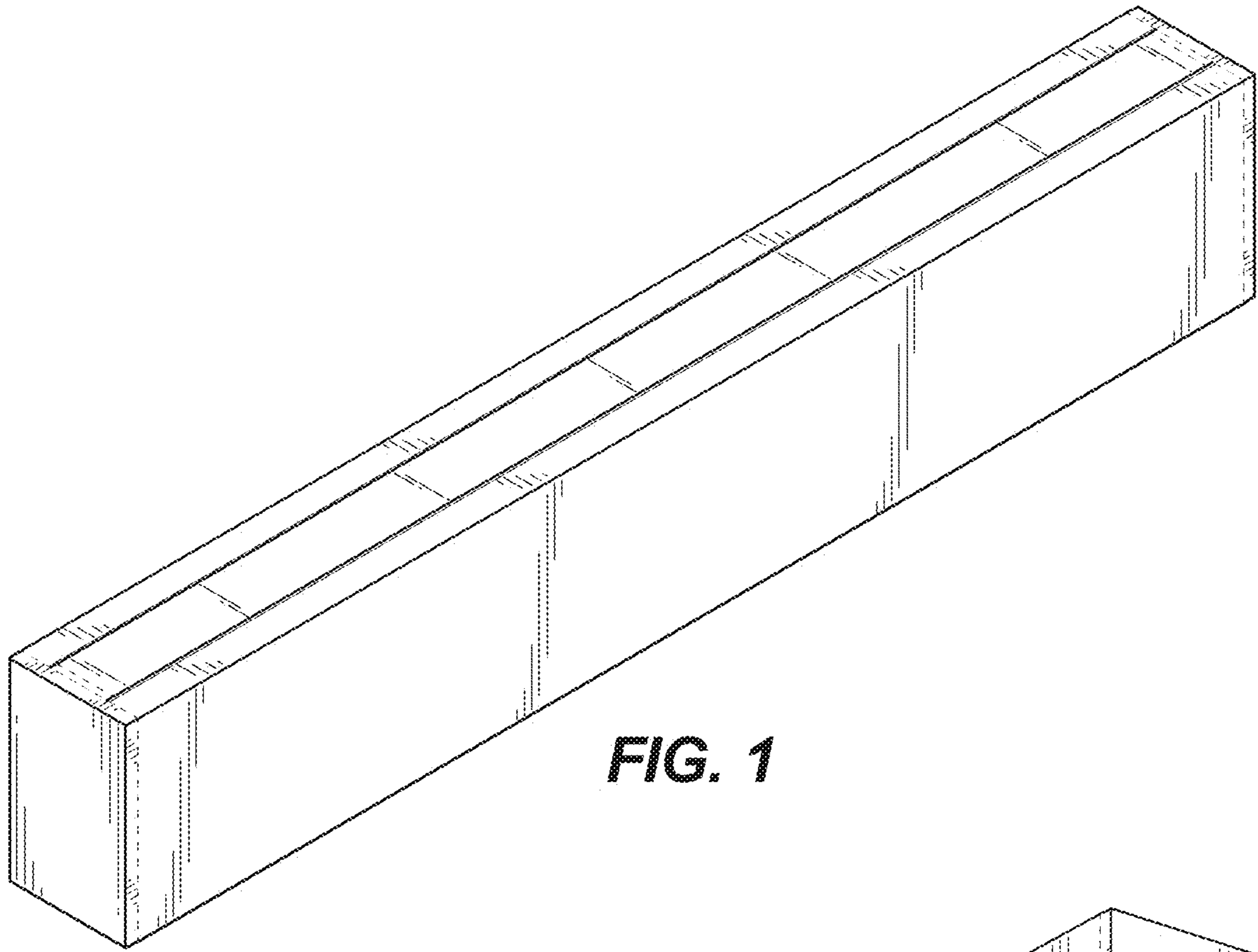
(56)

**References Cited**

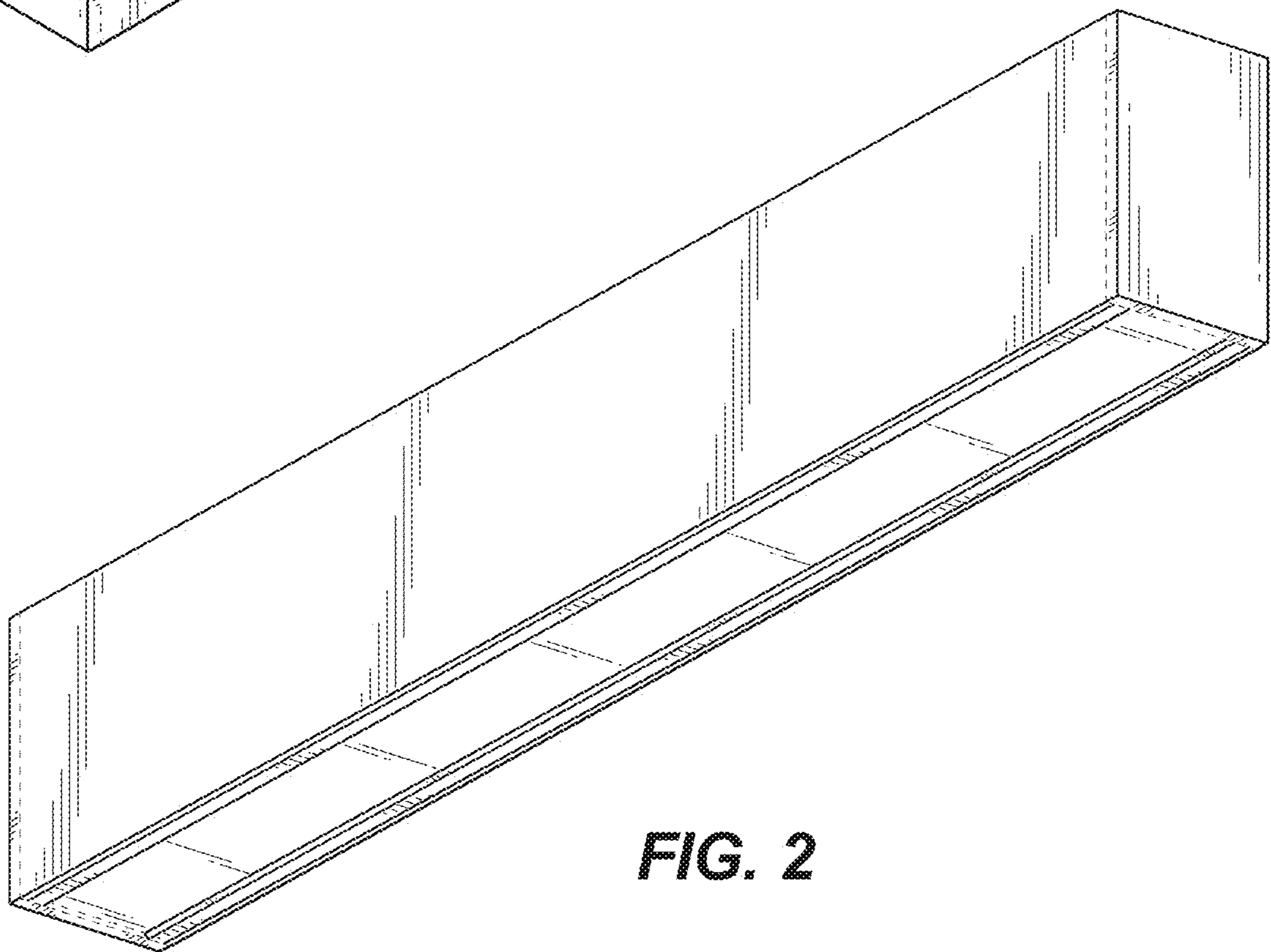
U.S. PATENT DOCUMENTS

D775,395	S	*	12/2016	Huyghe	.....	D26/80
D791,998	S	*	7/2017	Lonsdale	.....	D26/76
D794,241	S	*	8/2017	Huyghe	.....	D26/80
D808,566	S	*	1/2018	Goetz-Schaefer	.....	D26/76
D825,815	S	*	8/2018	Sonneman	.....	D26/87
D847,395	S	*	4/2019	Tremaine	.....	D26/76

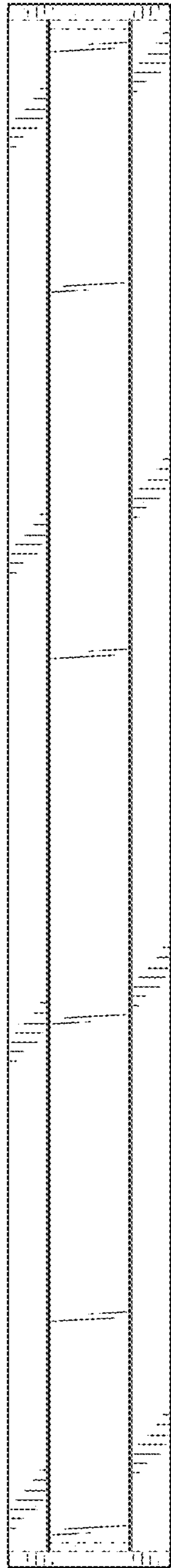
\* cited by examiner



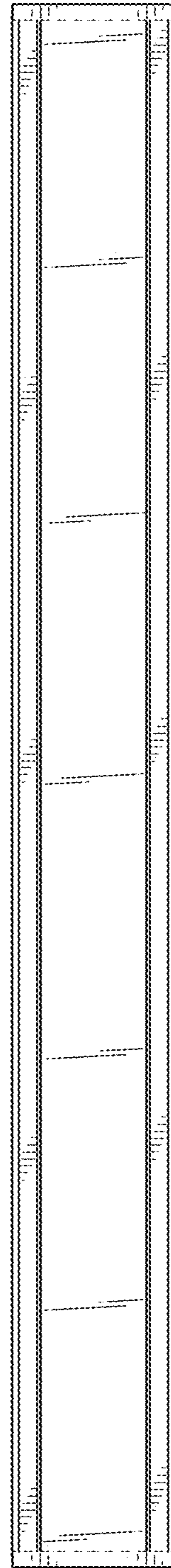
**FIG. 1**



**FIG. 2**

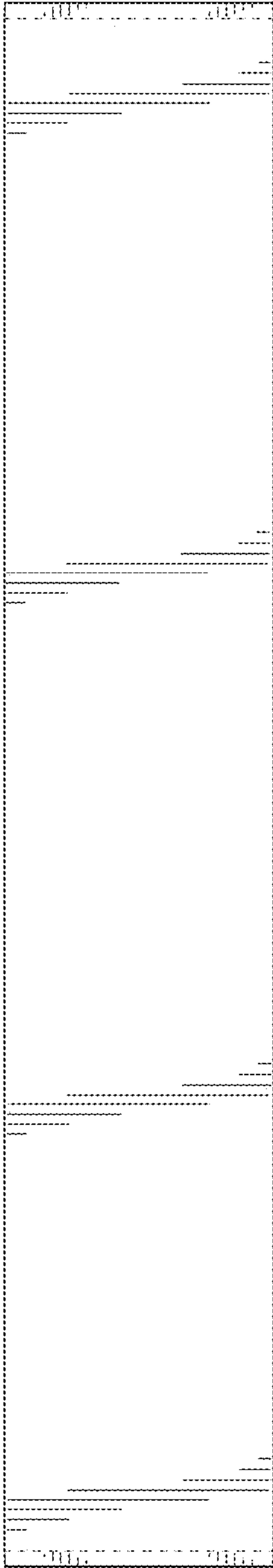


**FIG. 3**

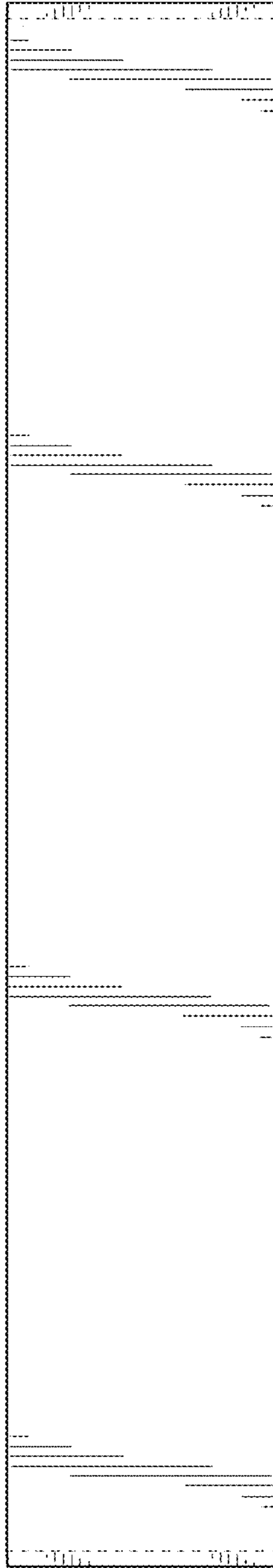


**FIG. 4**





**FIG. 5**



**FIG. 6**



**FIG. 7**



**FIG. 8**