



US00D880042S

(12) **United States Design Patent**
Farzan

(10) **Patent No.:** **US D880,042 S**
(45) **Date of Patent:** **** Mar. 31, 2020**

- (54) **RECESSED LIGHTING FIXTURE**
- (71) Applicant: **Nora Lighting, Inc.**, Commerce, CA (US)
- (72) Inventor: **Fred Farzan**, Beverly Hills, CA (US)
- (73) Assignee: **Nora Lighting, Inc.**, Commerce, CA (US)
- (**) Term: **15 Years**
- (21) Appl. No.: **29/658,281**
- (22) Filed: **Jul. 30, 2018**

D677,418 S * 3/2013 Wilson D26/74
 D722,192 S 2/2015 Boyer et al.
 D740,996 S * 10/2015 Tragatschnig D26/118
 (Continued)

FOREIGN PATENT DOCUMENTS

TW 182474 4/1992
 TW D122918 5/2008
 TW D143837 S1 11/2011

OTHER PUBLICATIONS

Taiwan Office Action for Patent Appl. No. 105304402 dated Mar. 2, 2017—3 pages.

(Continued)

Primary Examiner — Angela J Lee

(74) *Attorney, Agent, or Firm* — K&L Gates LLP

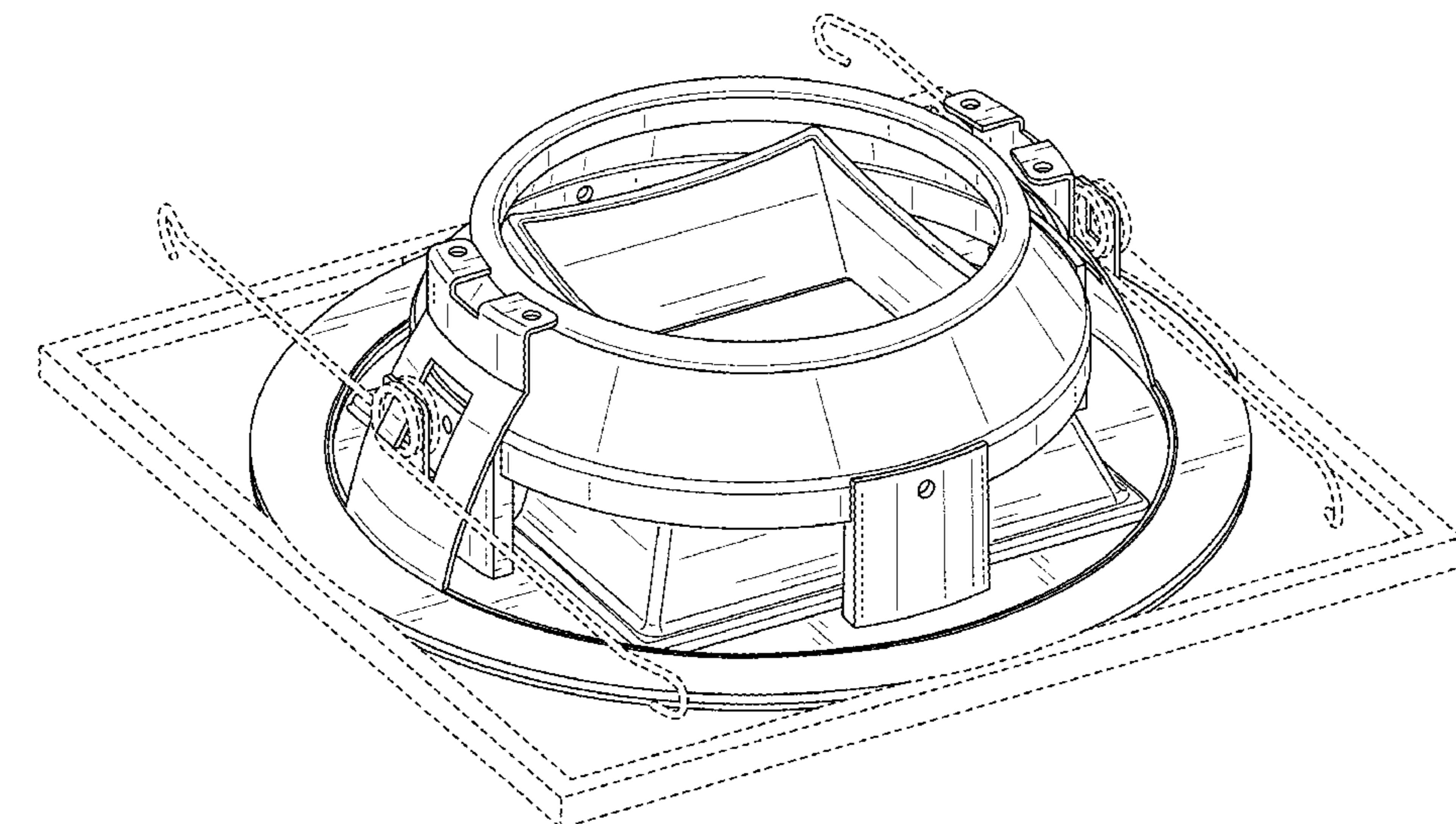
(57) **CLAIM**

The ornamental design for a recessed lighting fixture, as shown and described herein.

DESCRIPTION

FIG. 1 illustrates a plan view of a top side of a recessed lighting fixture, according to a first embodiment
 FIG. 2 illustrates a perspective view of a top side of the recessed lighting fixture, according to the first embodiment.
 FIG. 3 illustrates a side view of the recessed lighting fixture, according to a first embodiment.
 FIG. 4 illustrates a plan view of a top side of a recessed lighting fixture, according to a second embodiment.
 FIG. 5 illustrates a perspective view of a top side of the recessed lighting fixture, according to the second embodiment; and,
 FIG. 6 illustrates a side view of the recessed lighting fixture, according to a second embodiment.
 The broken lines shown in the drawings represent portions of the recessed lighting fixture that form no part of the claimed design.

1 Claim, 6 Drawing Sheets



Related U.S. Application Data

- (62) Division of application No. 29/553,402, filed on Feb. 1, 2016, now Pat. No. Des. 824,568.
- (51) **LOC (12) Cl.** **26-05**
- (52) **U.S. Cl.**
USPC **D26/74**
- (58) **Field of Classification Search**
USPC D26/74, 72, 75, 76, 77, 78, 85, 88, 89, D26/118, 138, 141, 61; 362/364, 365, 362/373, 145, 146, 147, 148, 150, 153, 362/153.1, 294, 296.01, 296, 296.08
CPC F21V 29/2262; F21V 7/06; F21V 21/044; F21V 21/047; F21V 29/2212; F21V 29/2225; F21V 29/2256; F21V 29/225; F21V 29/2268; F21Y 2111/002; F21S 8/02; F21S 8/026
See application file for complete search history.

(56) **References Cited**

U.S. PATENT DOCUMENTS

D510,151 S * 9/2005 Rashidi D26/120
 D544,128 S * 6/2007 Carro D26/63
 D568,522 S * 5/2008 Engel D26/74
 D569,024 S * 5/2008 Redfern D26/74

(56)

References Cited

U.S. PATENT DOCUMENTS

D766,497	S	*	9/2016	Salomon	D26/138
D789,586	S	*	6/2017	Guzzini	D26/74
D824,568	S	*	7/2018	Farzan	D26/74
D827,904	S	*	9/2018	Benghozi	D26/74
D831,873	S	*	10/2018	Rybol	D26/74

OTHER PUBLICATIONS

Taiwan Office Action for Patent Appl. No. 105304402 dated Mar. 2, 2017—3 pages. (English Translation).

* cited by examiner

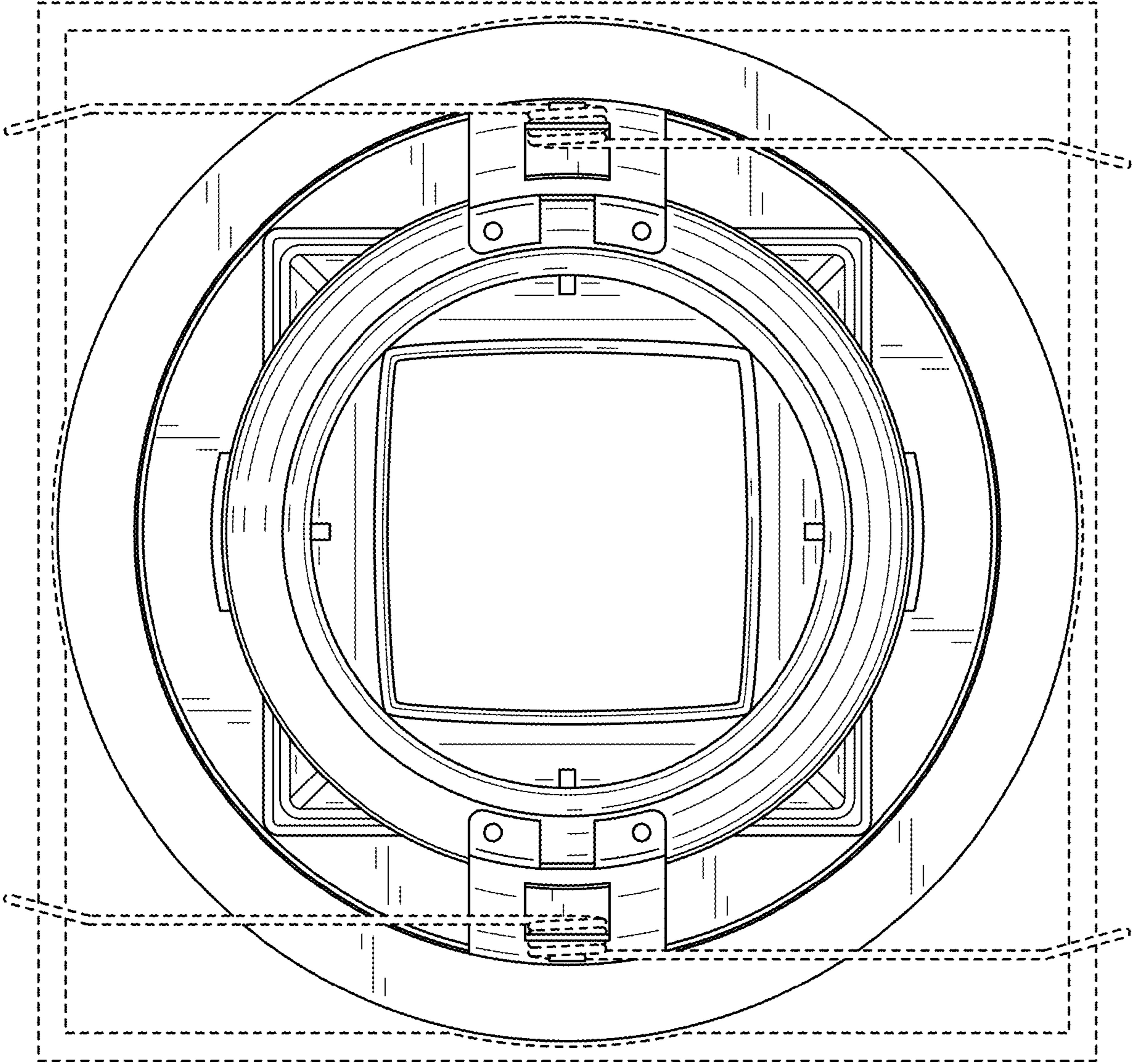


FIG. 1

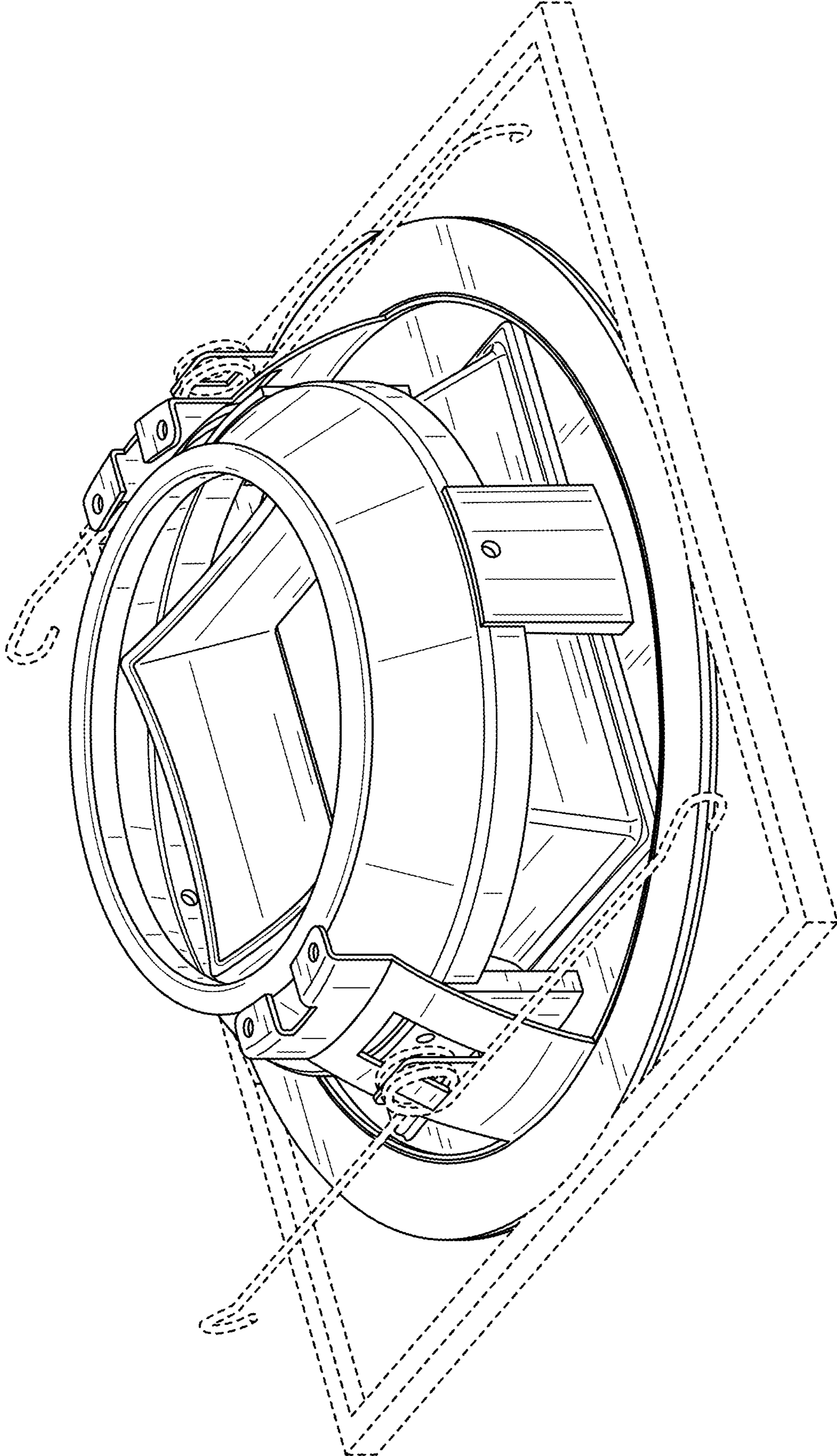


FIG. 2

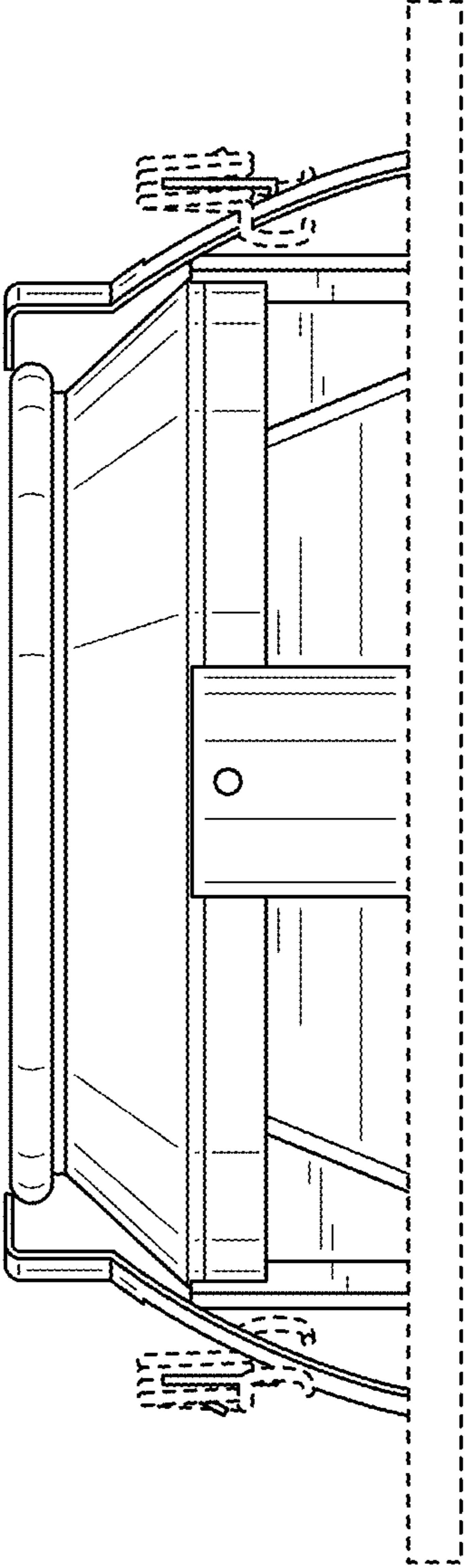


FIG. 3

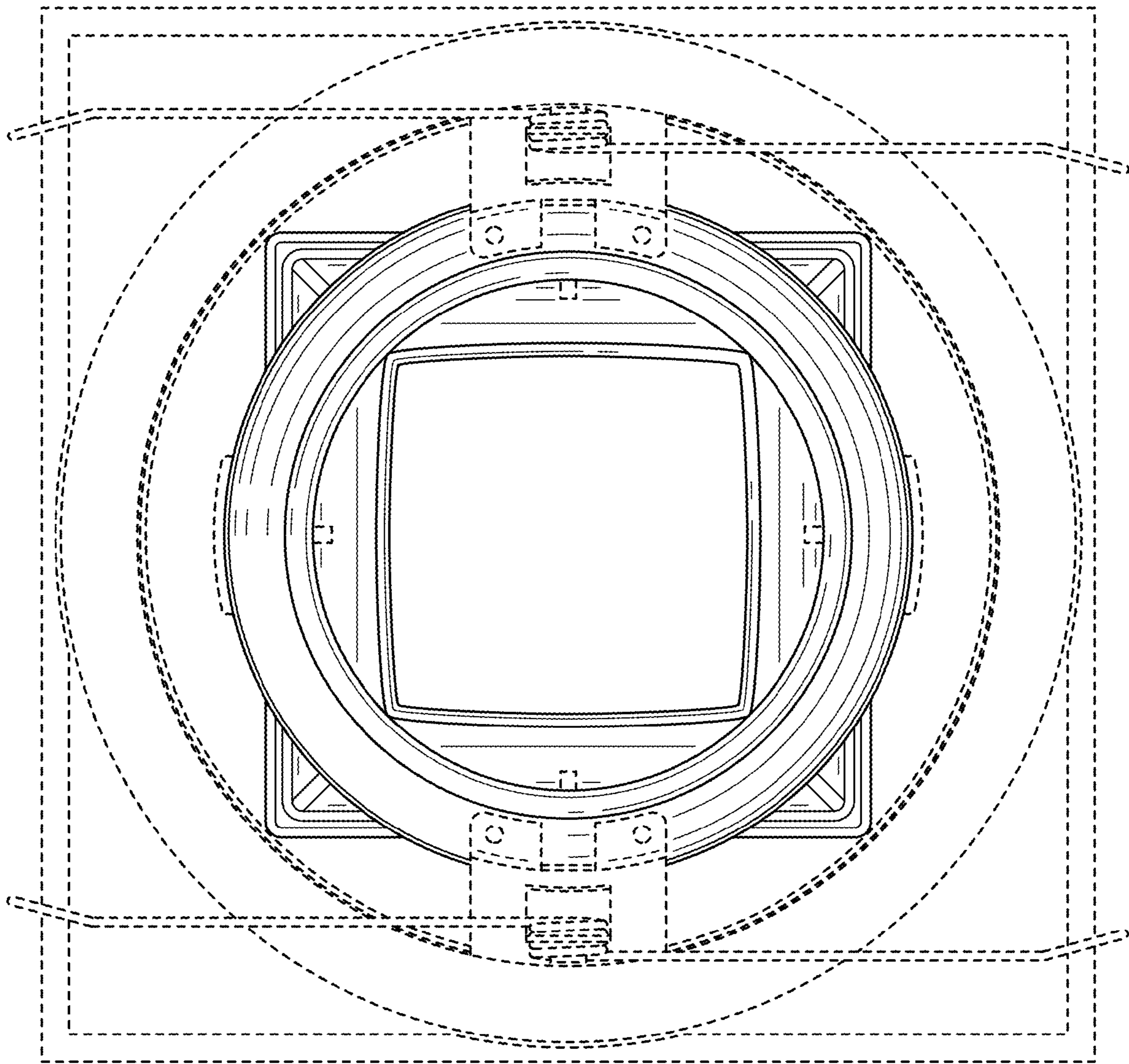


FIG. 4

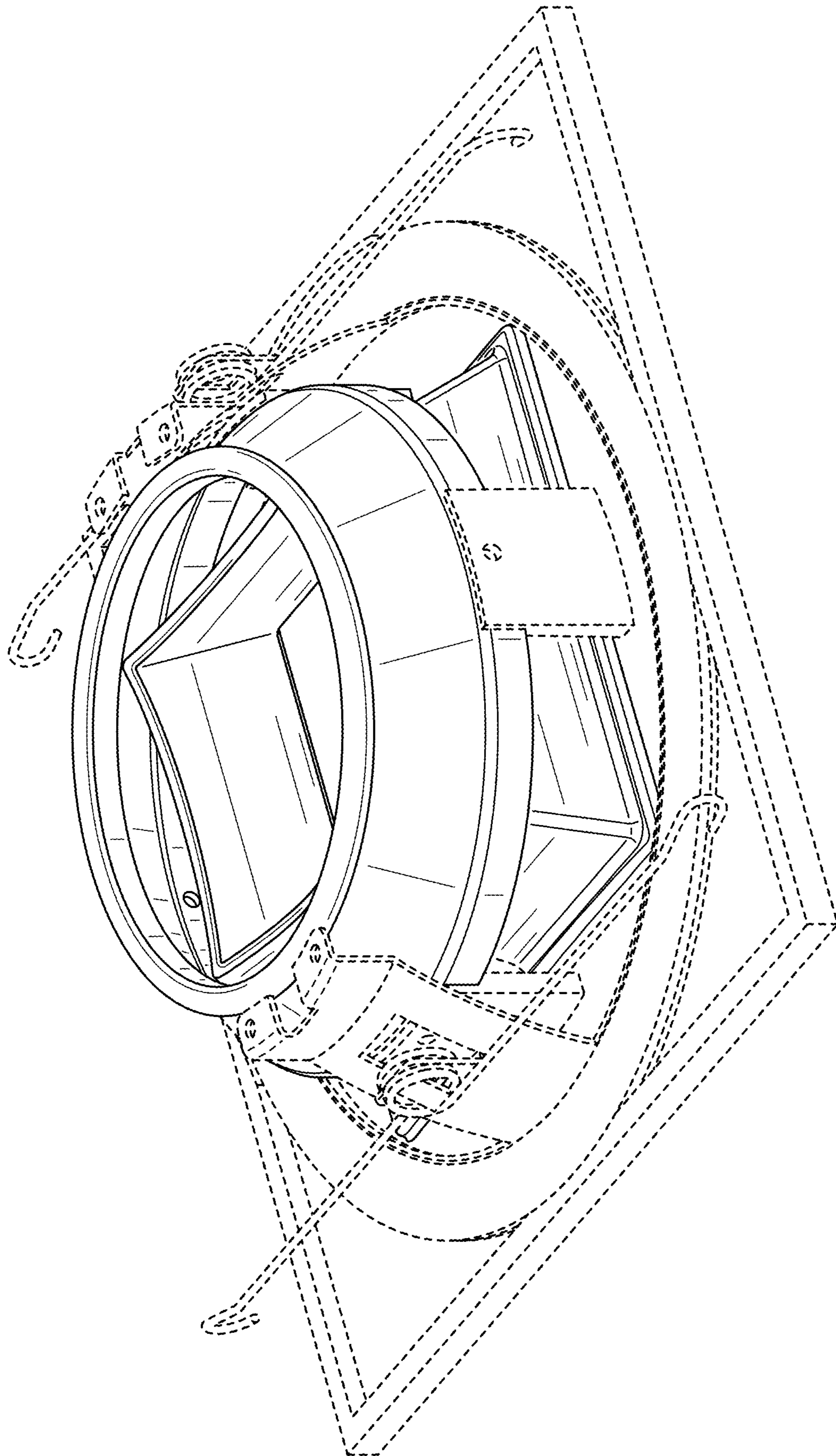


FIG. 5

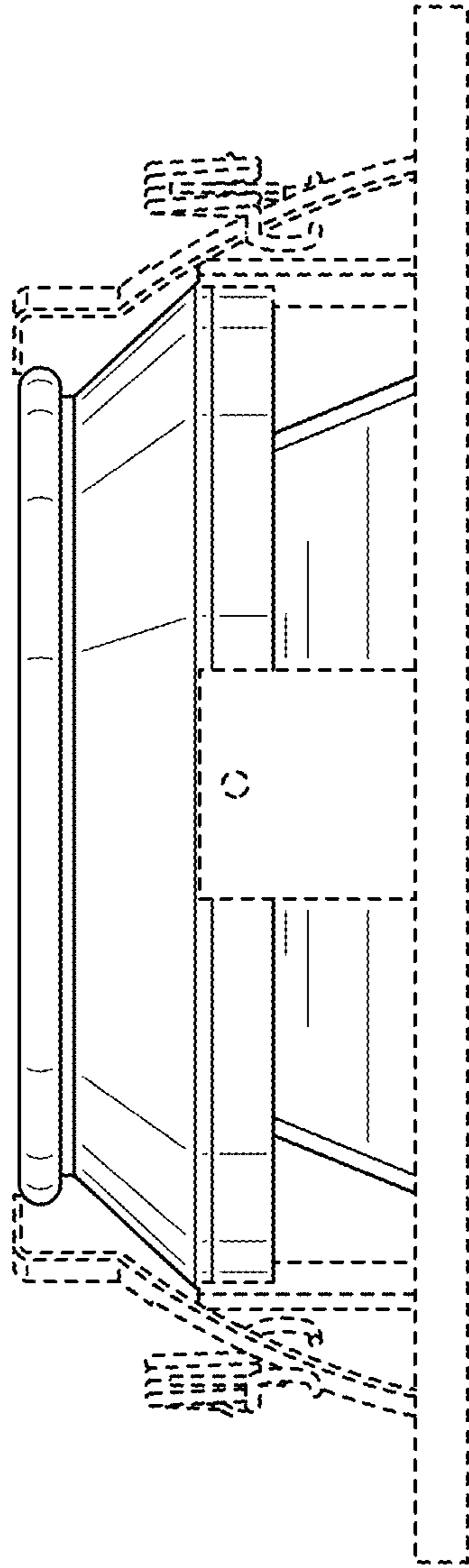


FIG. 6