



US00D880041S

(12) **United States Design Patent**
Ghasabi

(10) **Patent No.:** **US D880,041 S**

(45) **Date of Patent:** **** Mar. 31, 2020**

(54) **LIGHT FIXTURE**

(71) Applicant: **LUMINIZ INC.**, Etobicoke (CA)

(72) Inventor: **Amir Ghasabi**, Etobicoke (CA)

(73) Assignee: **Luminiz Inc.**, Etobicoke, Ontario (CA)

(**) Term: **15 Years**

(21) Appl. No.: **29/640,775**

(22) Filed: **Mar. 16, 2018**

(51) **LOC (12) Cl.** **26-05**

(52) **U.S. Cl.**

USPC **D26/74**

(58) **Field of Classification Search**

USPC D26/74, 72, 75, 76, 77, 78, 85, 88, 89,
D26/118, 138, 141, 61; 362/364, 365,
362/373, 145, 146, 147, 148, 150, 153,
362/153.1, 294, 296.01, 296, 296.08
CPC F21V 29/2262; F21V 7/06; F21V 21/044;
F21V 21/047; F21V 29/2212; F21V
29/2225; F21V 29/2256; F21V 29/225;
F21V 29/2268; F21Y 2111/002; F21S
8/02; F21S 8/026

See application file for complete search history.

(56) **References Cited**

U.S. PATENT DOCUMENTS

D510,151 S * 9/2005 Rashidi D26/120
D544,128 S * 6/2007 Carro D26/63
D568,522 S * 5/2008 Engel D26/74

(Continued)

FOREIGN PATENT DOCUMENTS

GB 2509772 A 7/2014

OTHER PUBLICATIONS

Examiner's Report dated Dec. 5, 2019 in related CA Patent Appli-
cation No. 3,010,273.

Primary Examiner — Angela J Lee

(74) *Attorney, Agent, or Firm* — Bereskin & Parr
LLP/S.E.N.C.R.L., s.r.l.; Isis E. Calder; Ahmed Elmallah

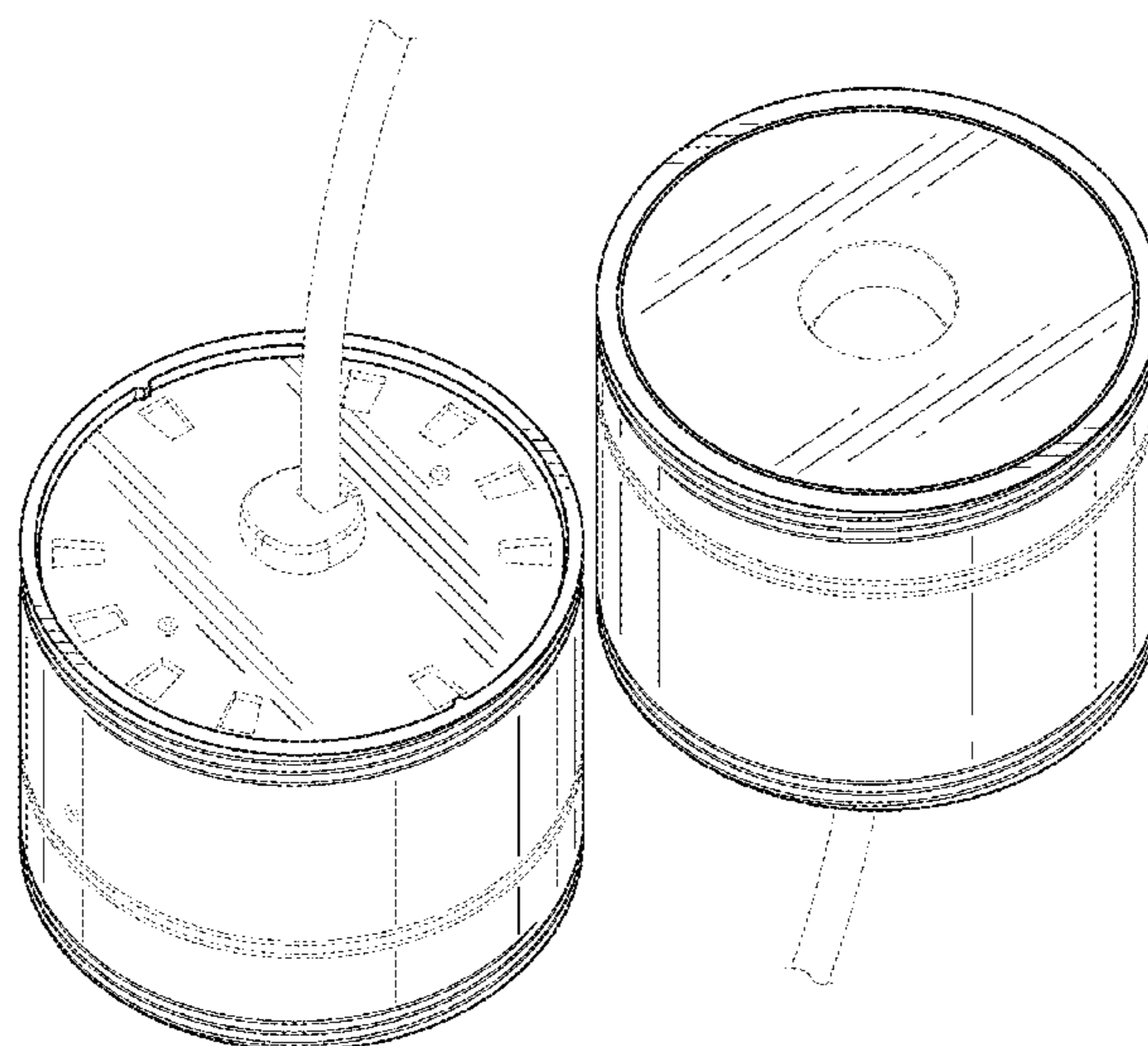
(57) **CLAIM**

The ornamental design for a light fixture, as shown and
described.

DESCRIPTION

FIG. 1 shows a top perspective view of a light fixture;
FIG. 2 shows a bottom perspective view of the design of
FIG. 1;
FIG. 3 shows a front side elevation view of the design of
FIG. 1;
FIG. 4 shows a left side elevation view of the design of FIG.
1;
FIG. 5 shows a rear side elevation view of the design of FIG.
1;
FIG. 6 shows a right side elevation view of the design of
FIG. 1;
FIG. 7 shows a top plan view of the design of FIG. 1;
FIG. 8 shows a bottom plan view of the design of FIG. 1;
FIG. 9 shows a top perspective view of a second embodi-
ment of a light fixture;
FIG. 10 shows a bottom perspective view of the design of
FIG. 9;
FIG. 11 shows a front side elevation view of the design of
FIG. 9;
FIG. 12 shows a left side elevation view of the design of
FIG. 9;
FIG. 13 shows a rear side elevation view of the design of
FIG. 9;
FIG. 14 shows a right side elevation view of the design of
FIG. 9;
FIG. 15 shows a top plan view of the design of FIG. 9; and,
FIG. 16 shows a bottom plan view of the design of FIG. 9.
The broken line is included for illustrative purposes only and
forms no part of the claimed design.

1 Claim, 16 Drawing Sheets



(56)

References Cited

U.S. PATENT DOCUMENTS

D569,024	S	*	5/2008	Redfern	D26/74
D642,317	S	*	7/2011	Rashidi	D26/74
D668,372	S	*	10/2012	Renshaw	D26/74
D677,418	S	*	3/2013	Wilson	D26/74
D705,473	S	*	5/2014	Messisaen	D26/74
D740,996	S	*	10/2015	Tragatschnig	D26/118
D766,497	S	*	9/2016	Salomon	D26/138
D789,586	S	*	6/2017	Guzzini	D26/74
D816,257	S	*	4/2018	Ghasabi	D26/74
D824,074	S	*	7/2018	Vidal	D26/74
D824,566	S	*	7/2018	Santoro	D26/74
D824,568	S	*	7/2018	Farzan	D26/74
D827,904	S	*	9/2018	Benghozi	D26/74
D831,873	S	*	10/2018	Rybol	D26/74
2019/0234577	A1	*	8/2019	Zhan	F21S 8/026
2019/0285261	A1	*	9/2019	Ghasabi	F21S 8/026
2019/0338925	A1	*	11/2019	Green	F21S 8/026
2019/0346120	A1	*	11/2019	Dong	F21K 9/20

* cited by examiner

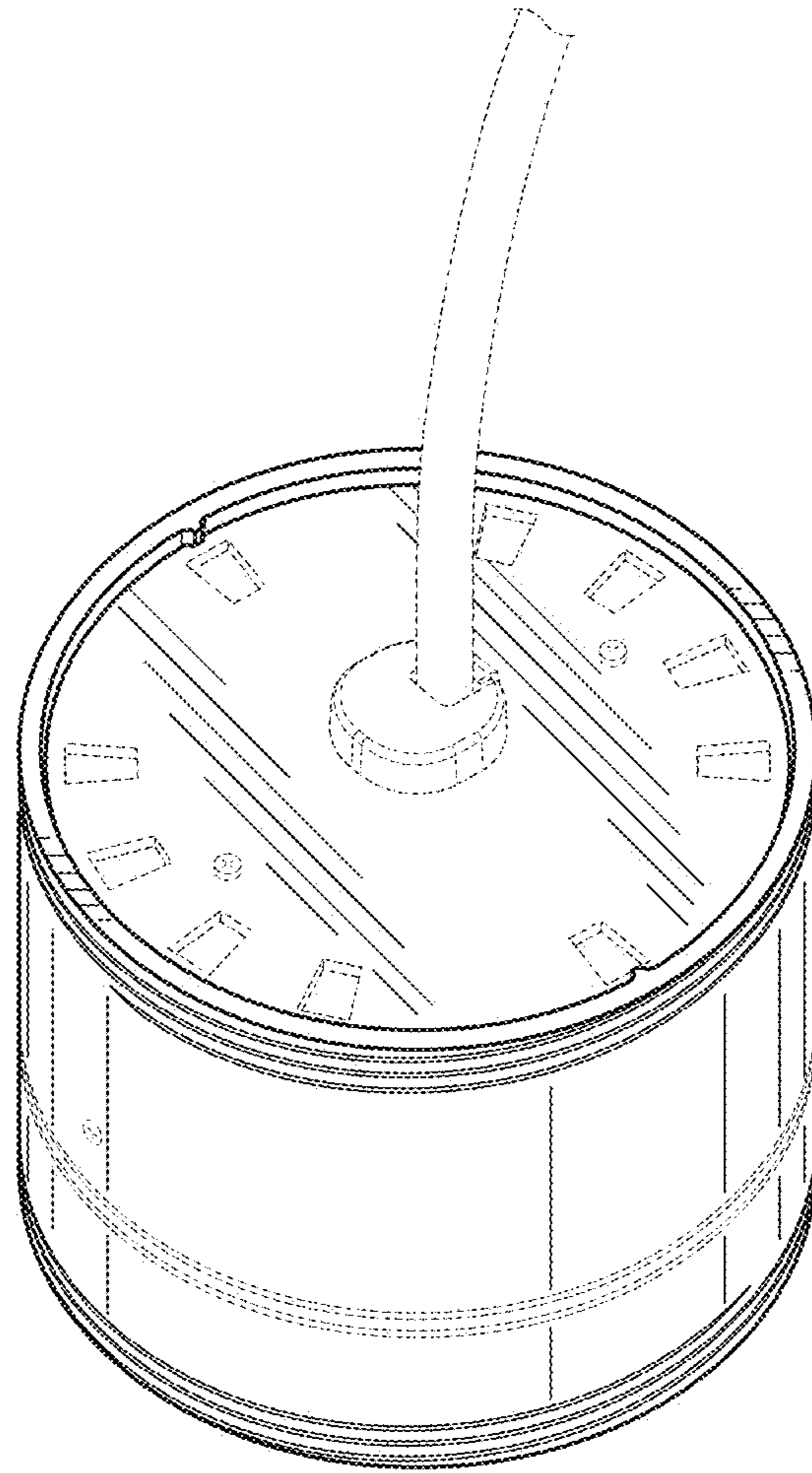


FIG. 1

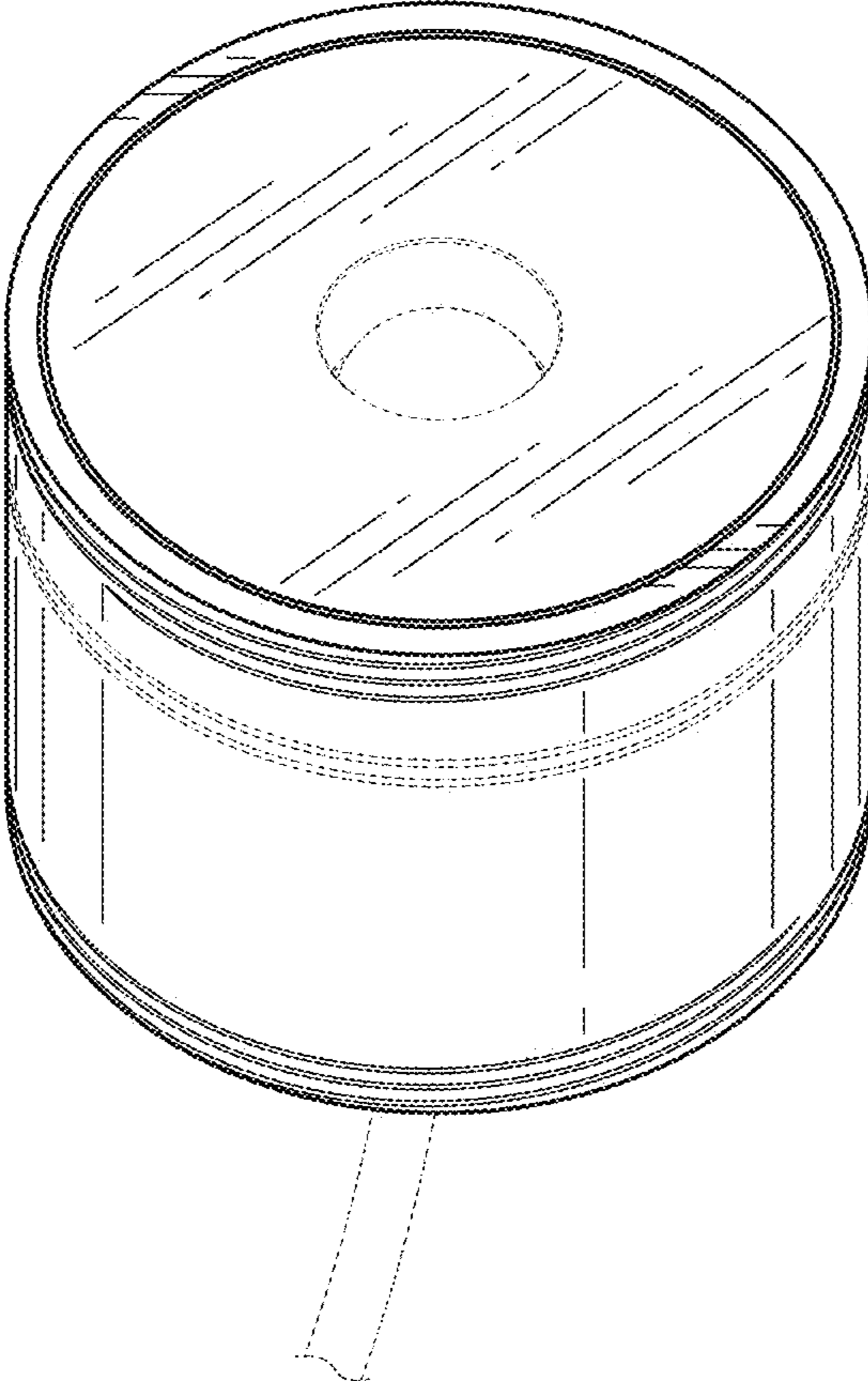


FIG. 2

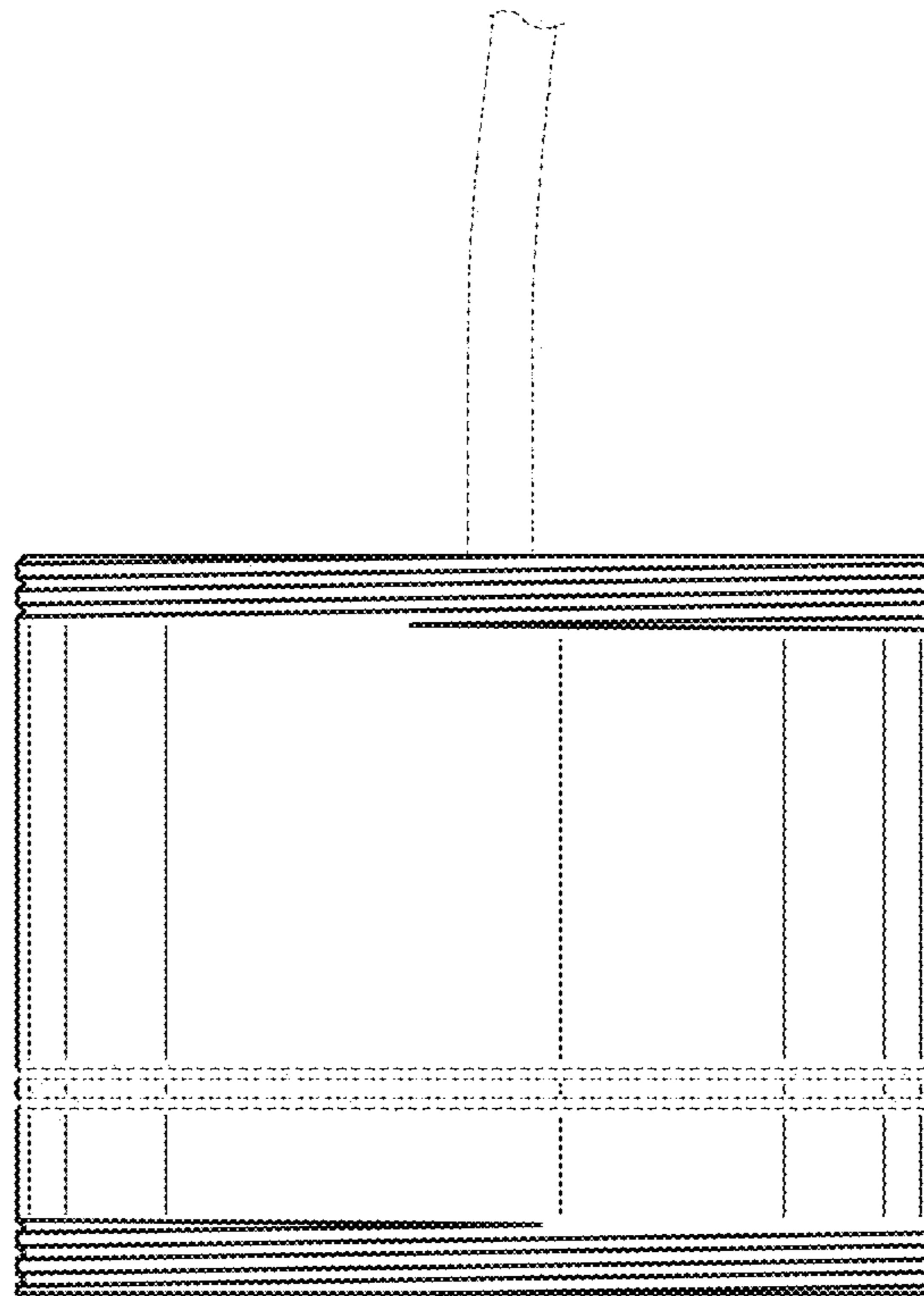


FIG. 3

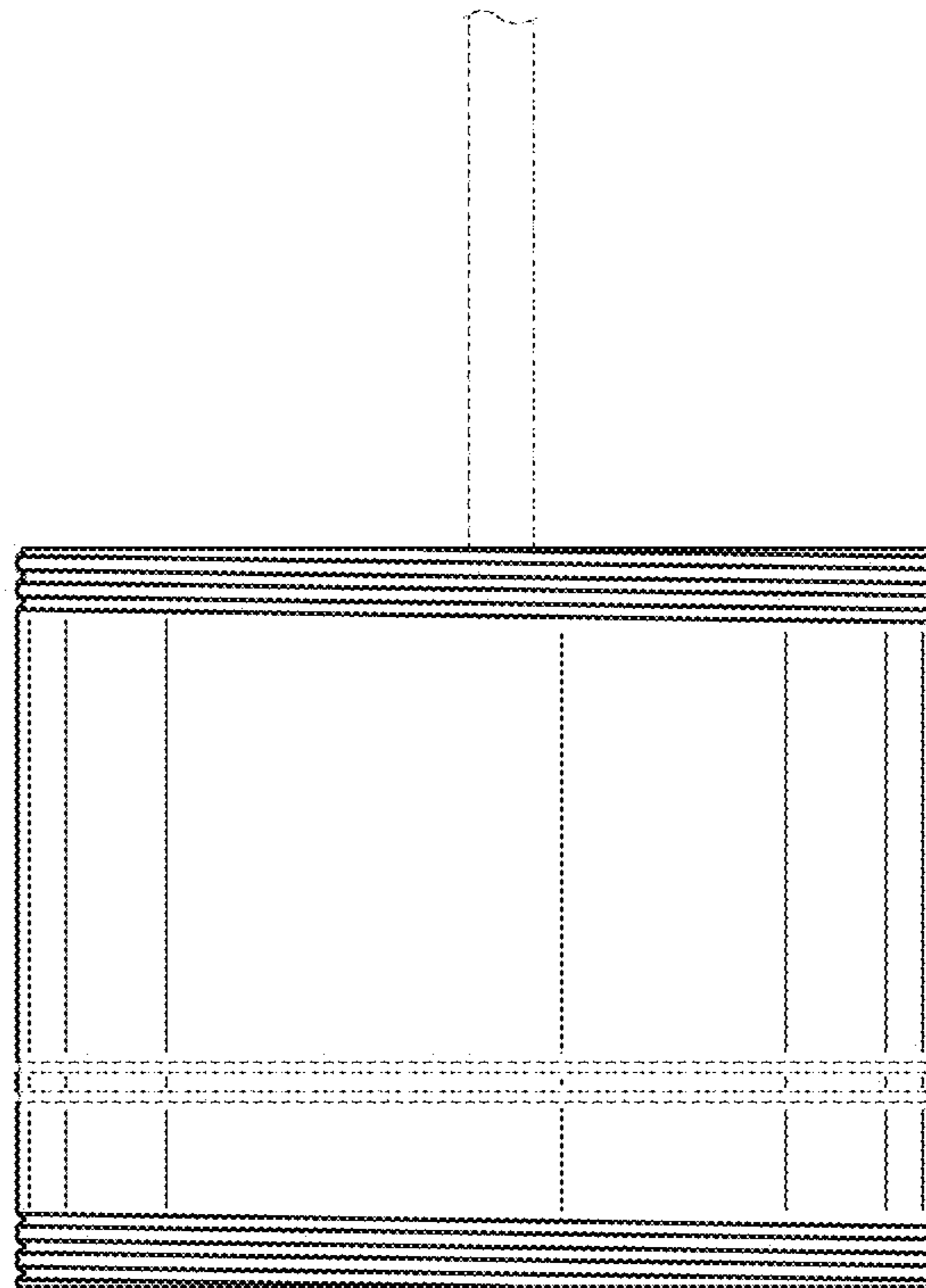


FIG. 4

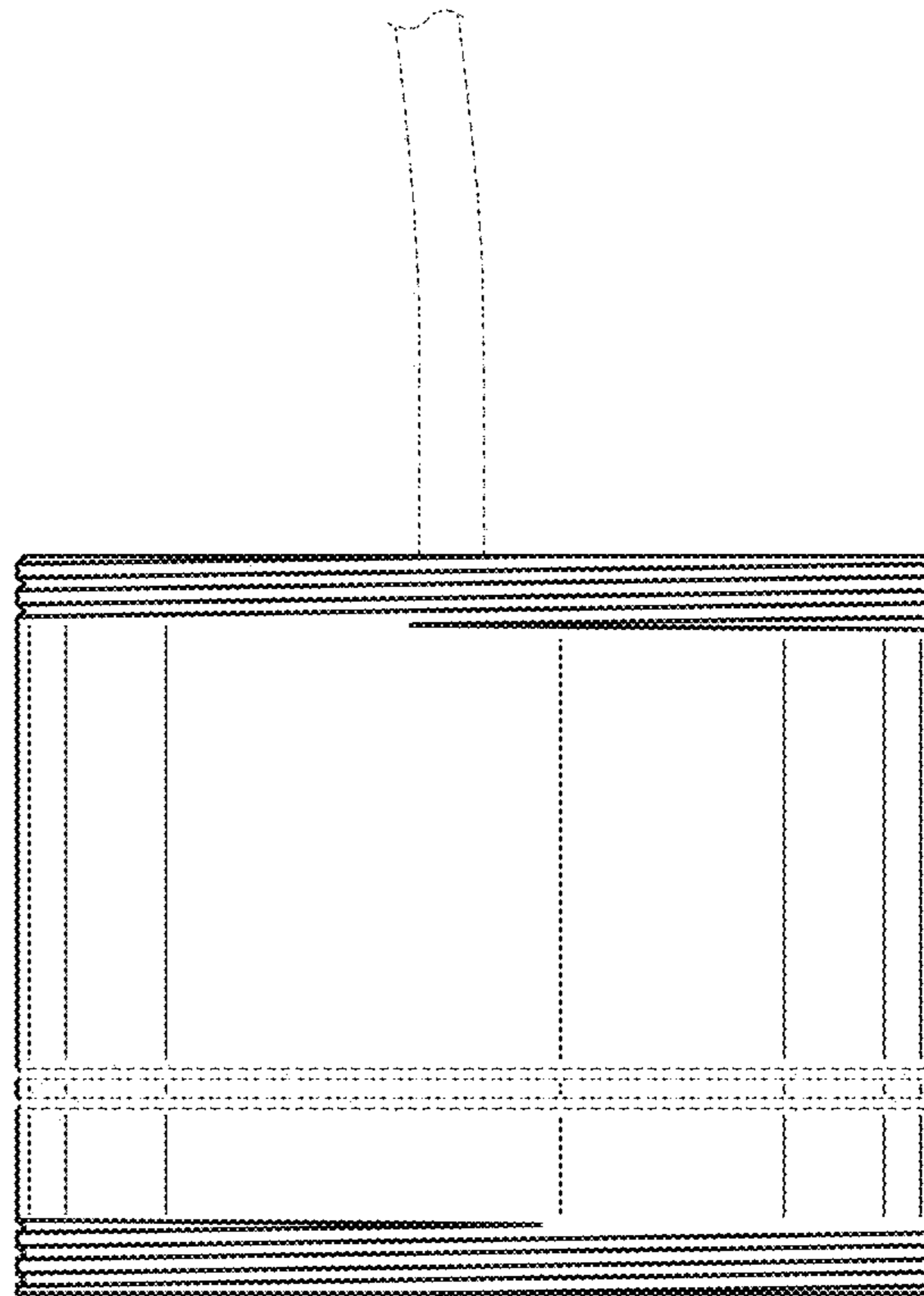


FIG. 5

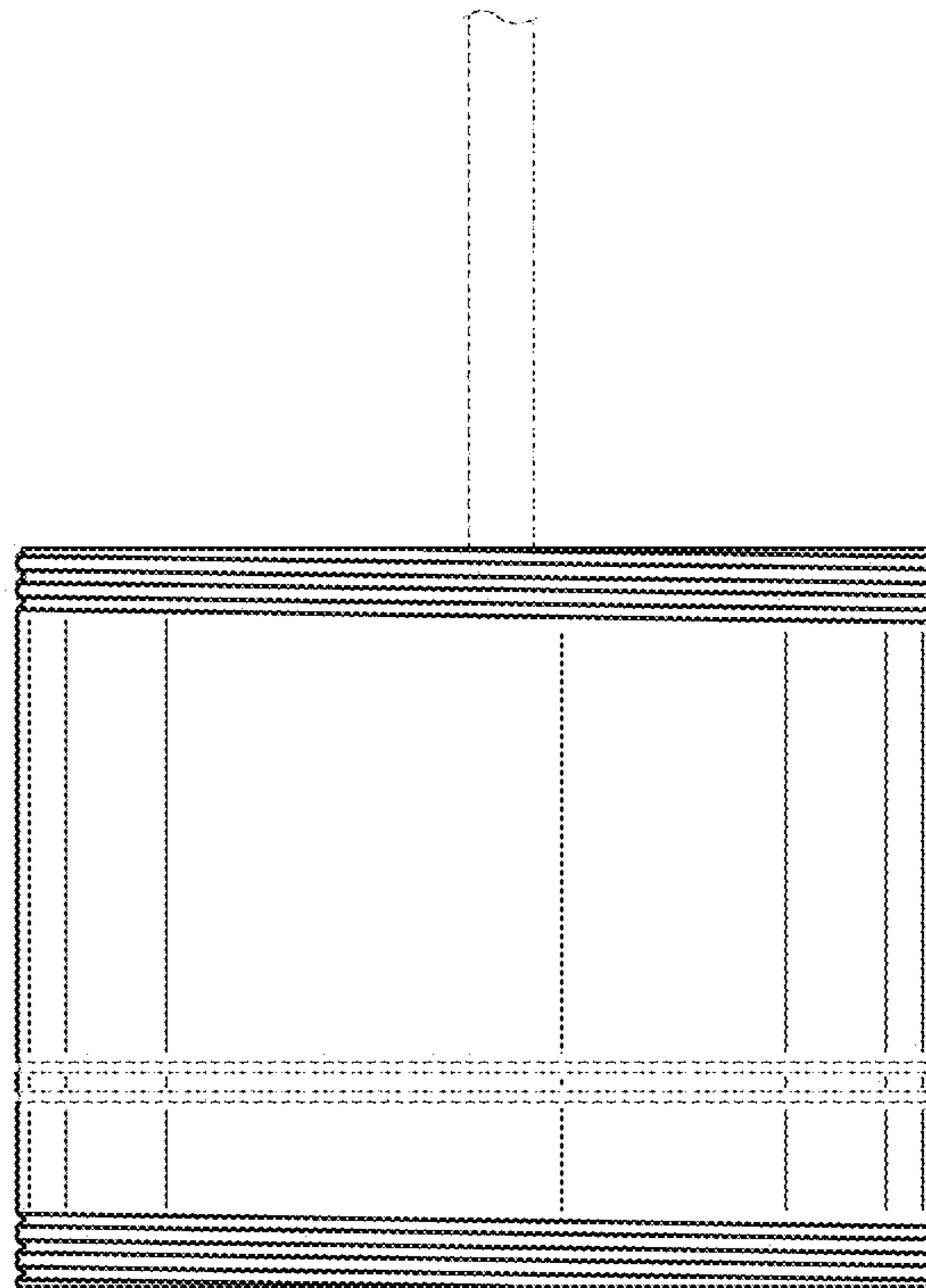


FIG. 6

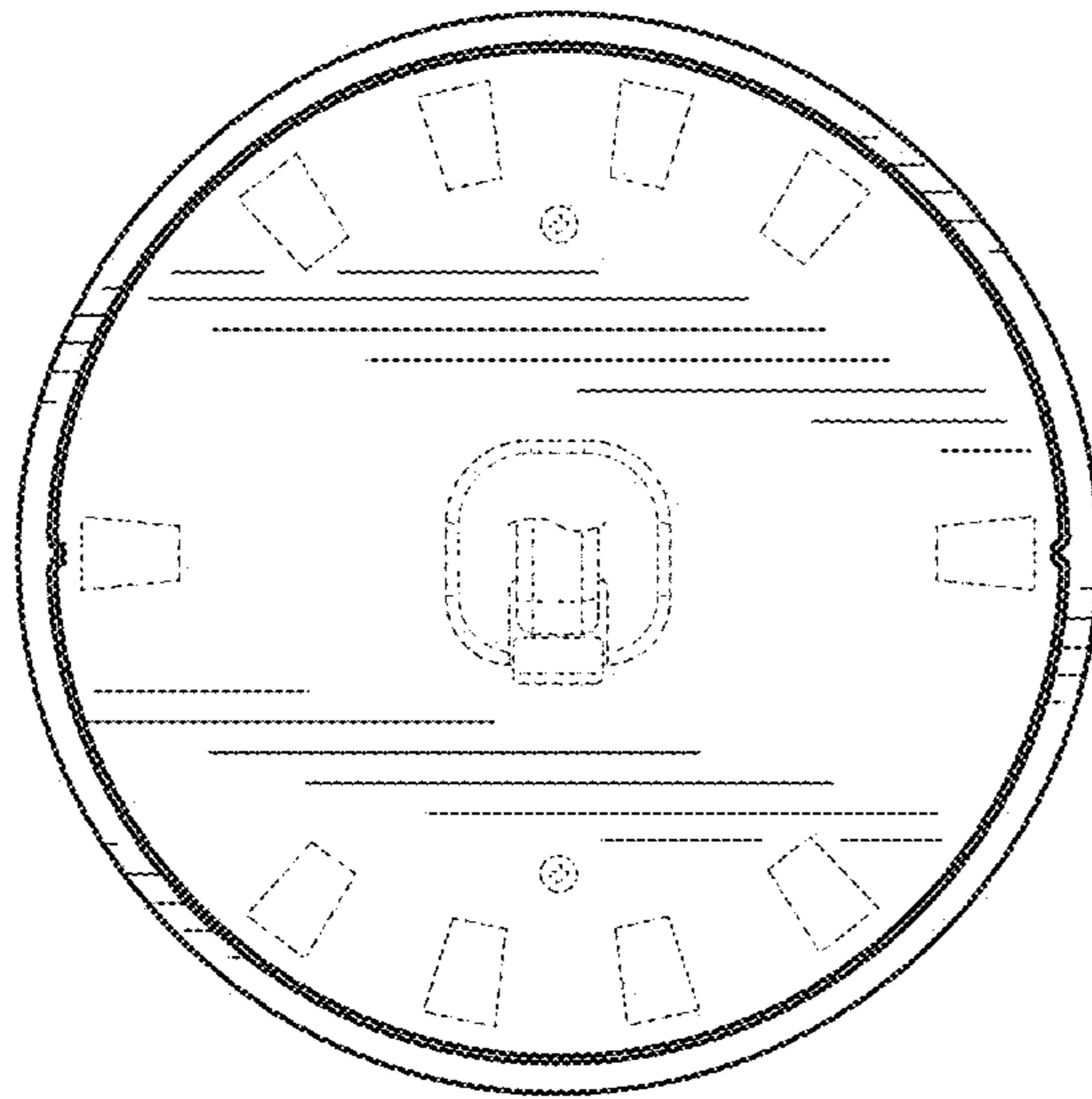


FIG. 7

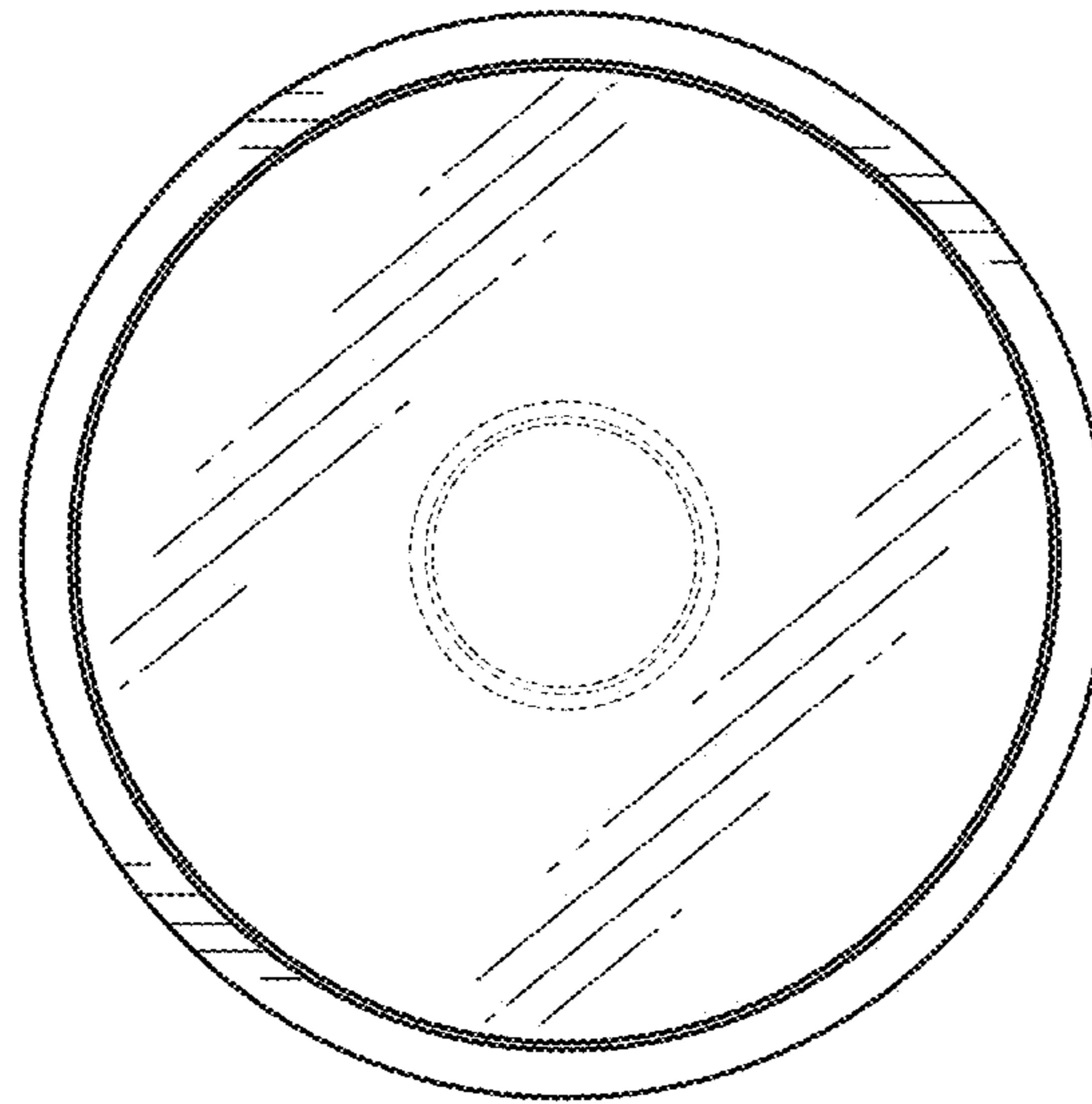


FIG. 8

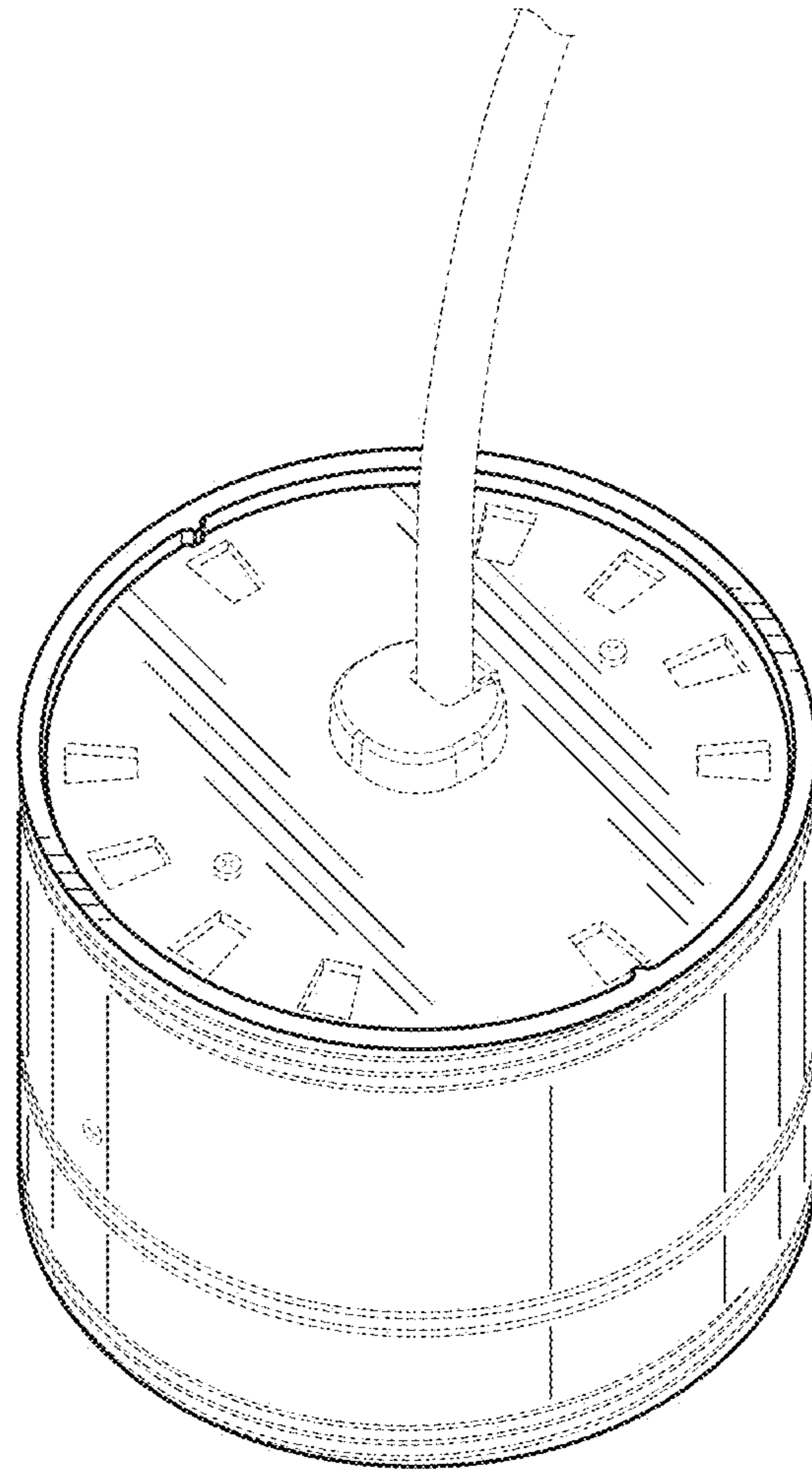


FIG. 9

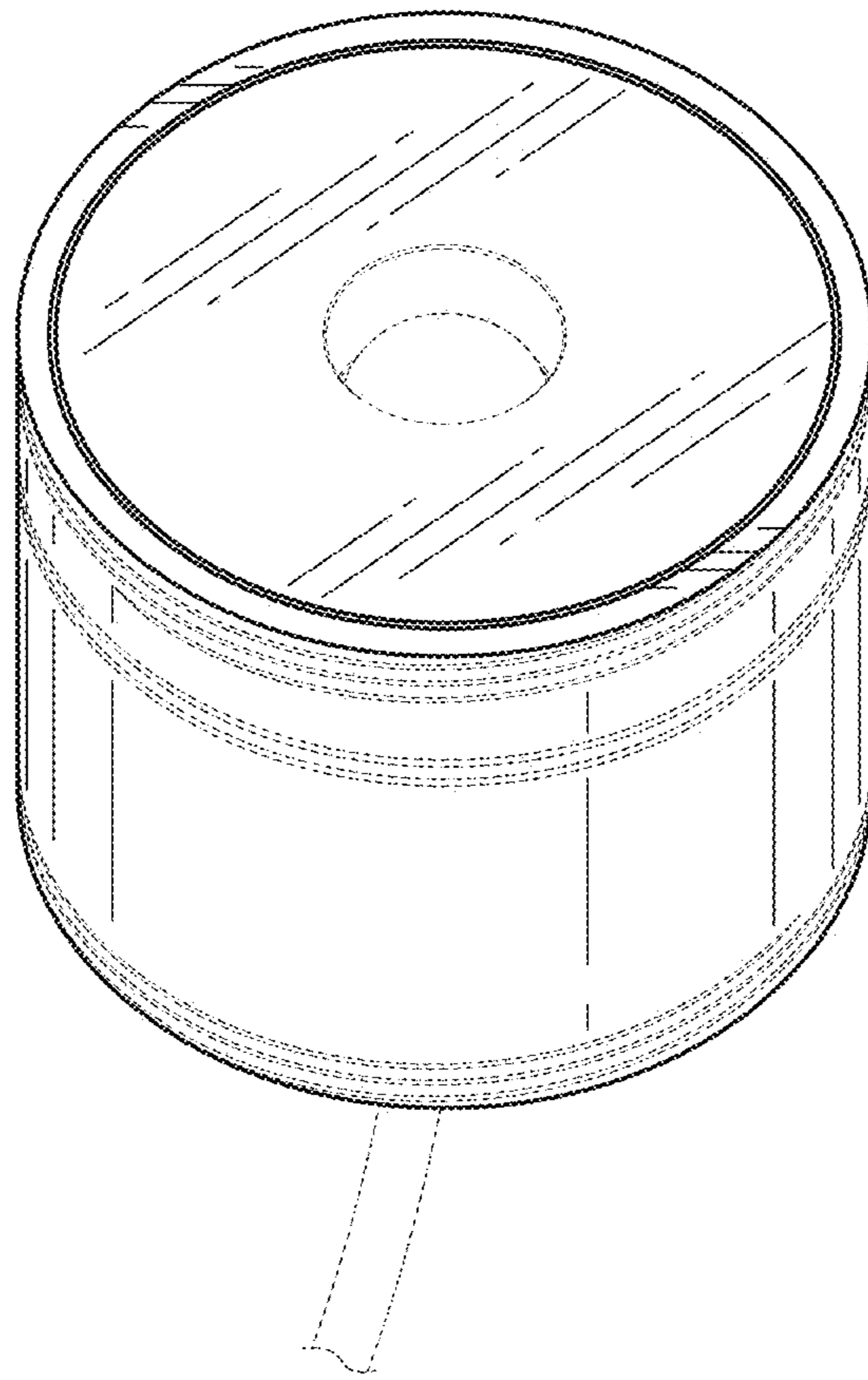


FIG. 10

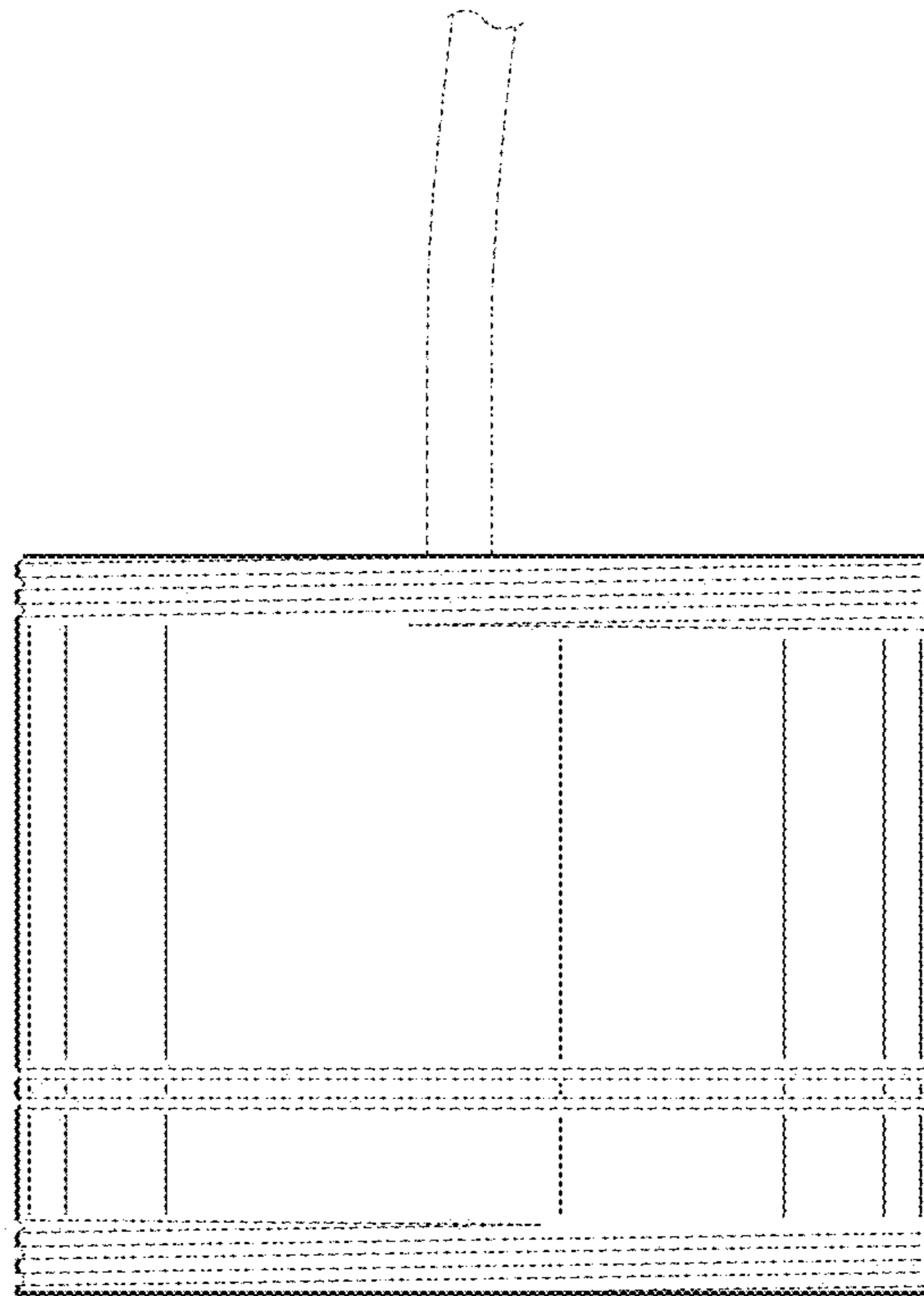


FIG. 11

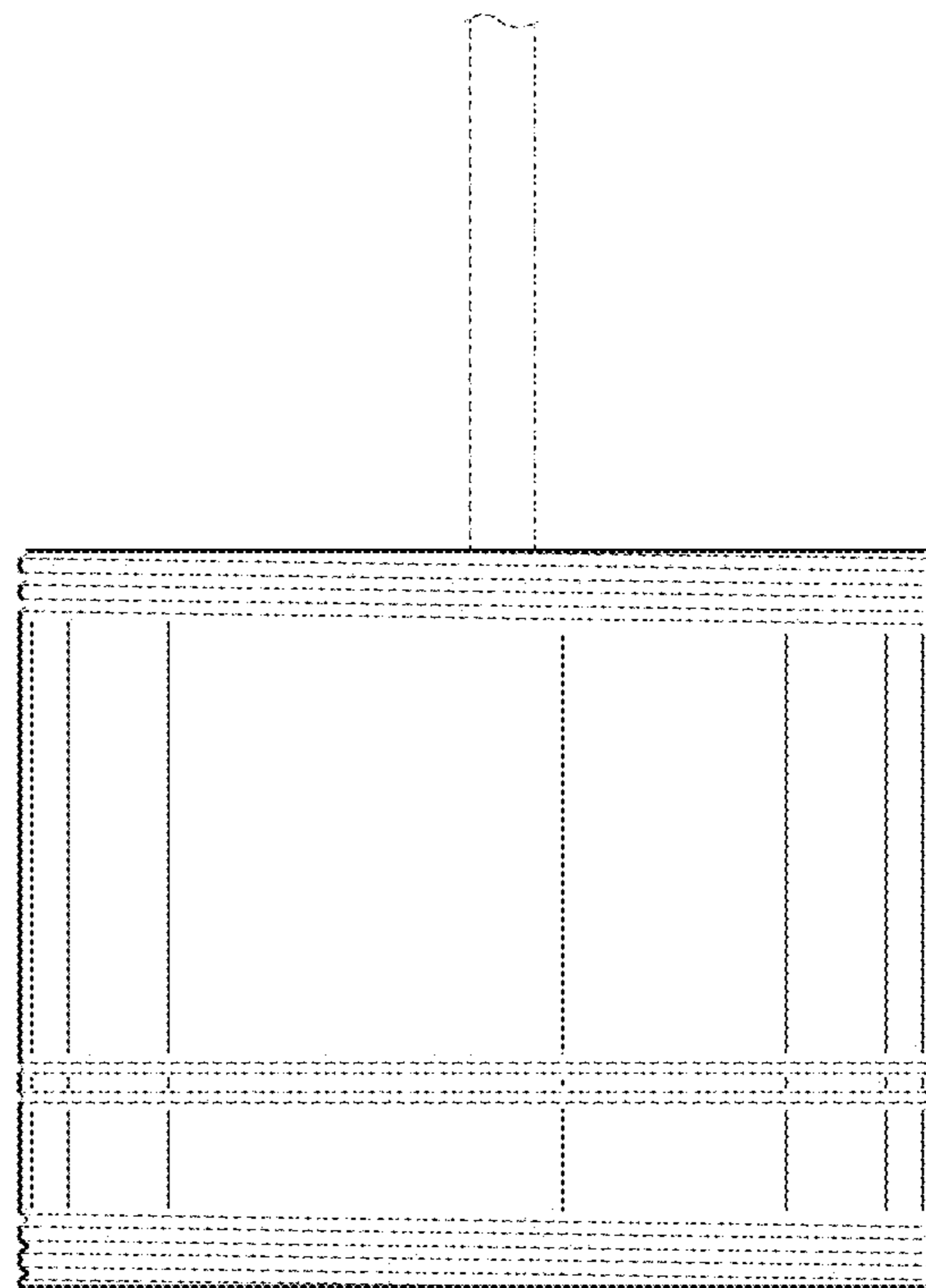


FIG. 12

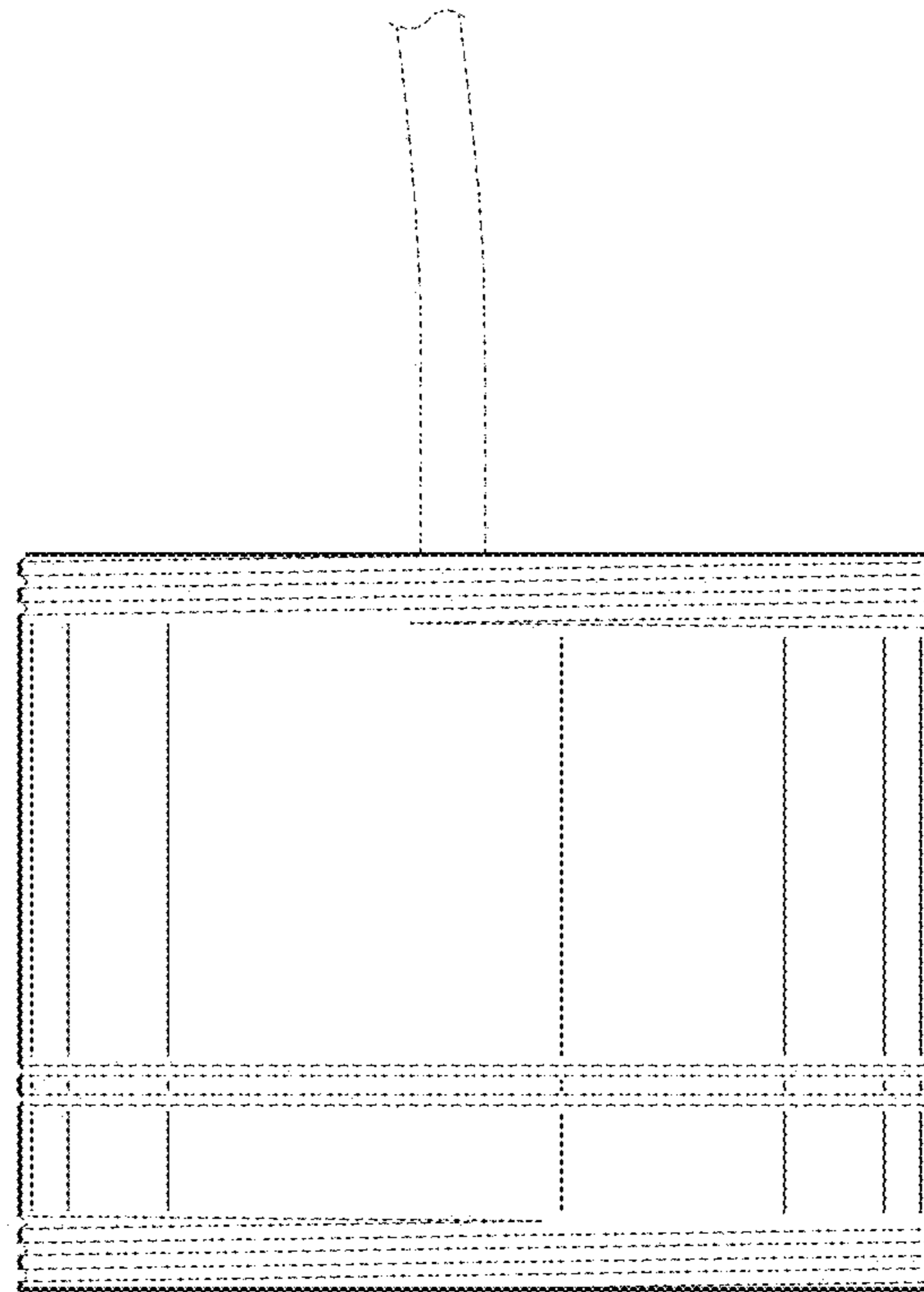


FIG. 13

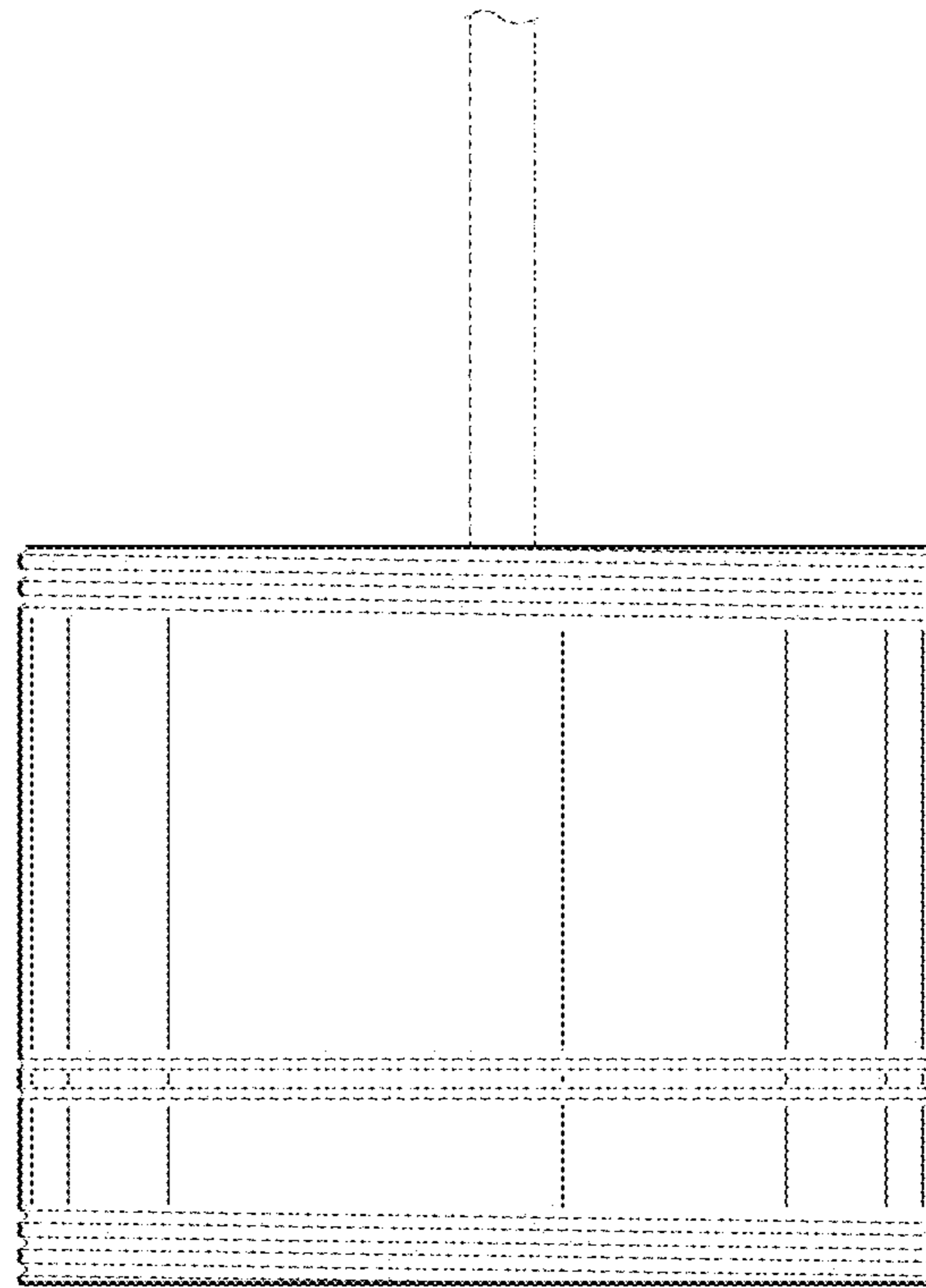


FIG. 14

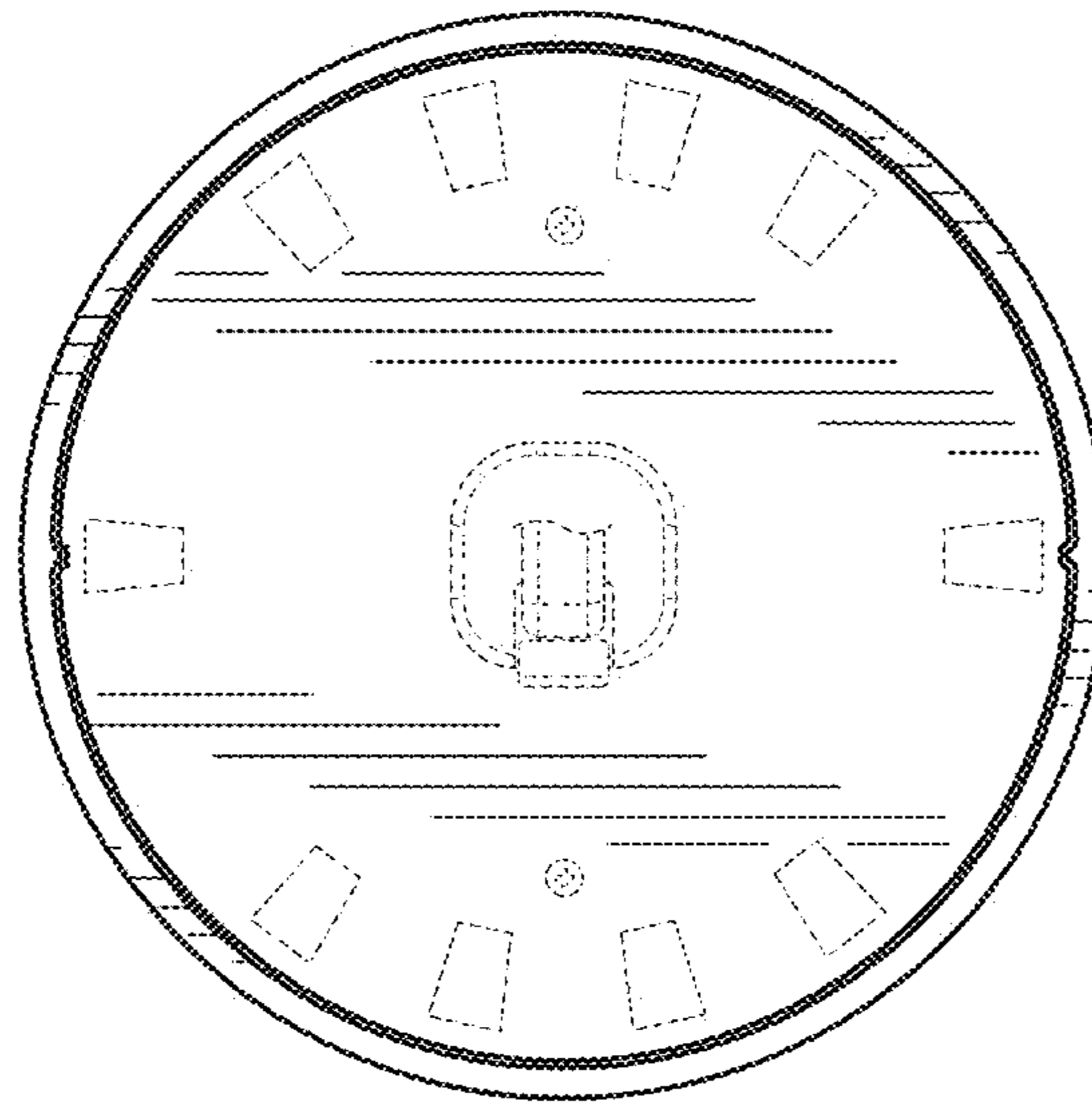


FIG. 15

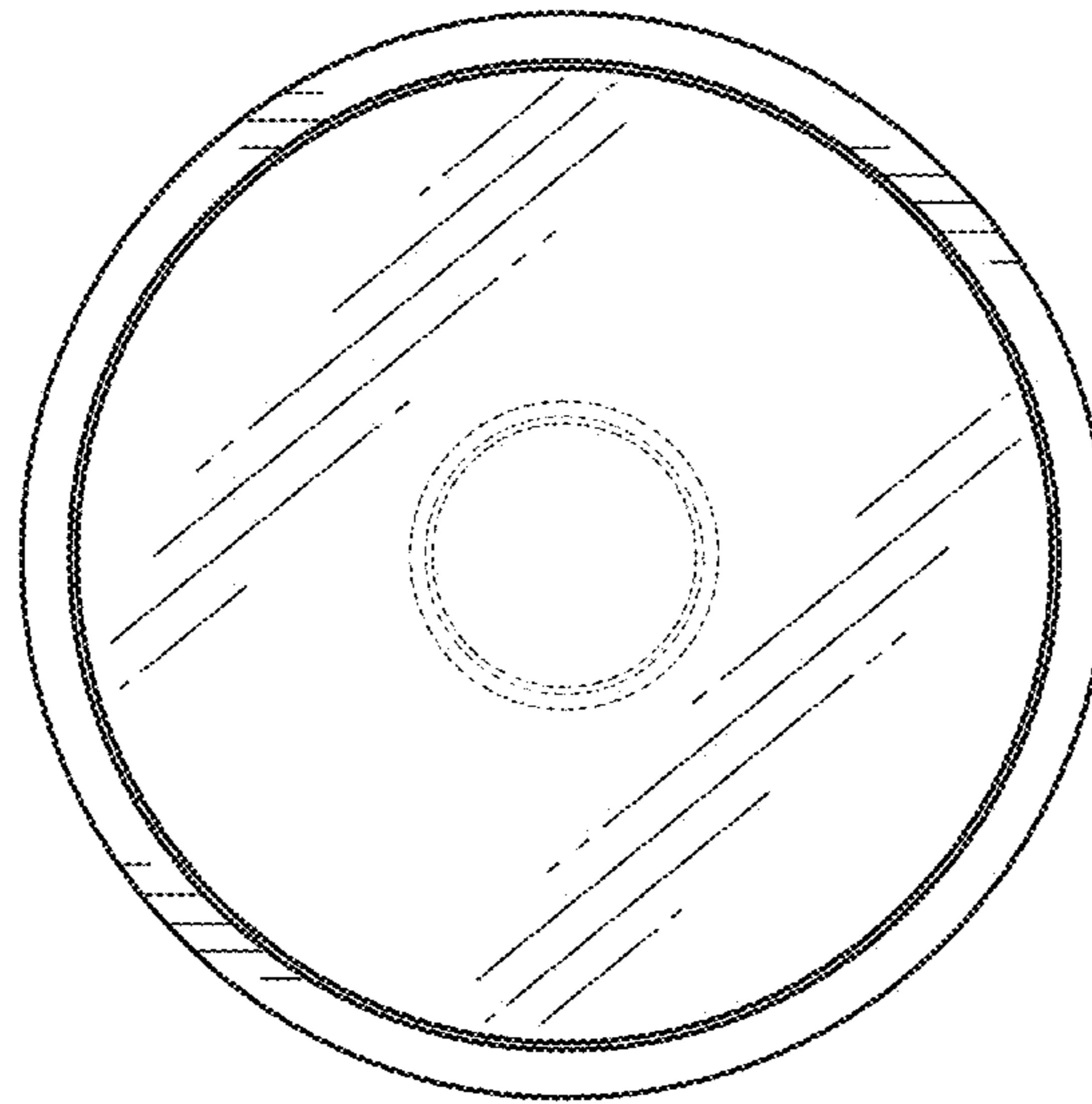


FIG. 16