



US00D880039S

(12) **United States Design Patent**  
**Mai**

(10) **Patent No.:** **US D880,039 S**

(45) **Date of Patent:** **\*\* Mar. 31, 2020**

(54) **LIGHTING FIXTURE**

(71) Applicant: **QuanHua Mai**, Zhongshan (CN)

(72) Inventor: **QuanHua Mai**, Zhongshan (CN)

(\*\*) Term: **15 Years**

(21) Appl. No.: **29/676,632**

(22) Filed: **Jan. 13, 2019**

(51) **LOC (12) Cl.** ..... **26-05**

(52) **U.S. Cl.**  
USPC ..... **D26/67**

(58) **Field of Classification Search**  
USPC ..... D26/67-71  
CPC .... F21S 8/08; F21S 8/081; F21S 8/083; F21S  
8/088; F21S 9/03; F21S 9/037; F21V  
21/0824; F21W 2111/02; F21W 2131/109  
See application file for complete search history.

(56) **References Cited**

**U.S. PATENT DOCUMENTS**

D197,381 S *	1/1964	Muller	.....	D26/67
3,721,516 A *	3/1973	Reese	.....	F21L 17/00 431/202
D252,894 S *	9/1979	Hazerjian	.....	D26/67
D329,099 S *	9/1992	Hall	.....	D26/67
D530,442 S *	10/2006	Wen	.....	D26/68
D541,968 S *	5/2007	Tortel	.....	D26/2

D616,130 S *	5/2010	Tortel	.....	D26/67
D732,222 S *	6/2015	Recker	.....	D26/68
D829,357 S *	9/2018	Chen	.....	D26/68
D843,041 S *	3/2019	Xiao	.....	D26/68
D851,315 S *	6/2019	Chen	.....	D26/67
D857,961 S *	8/2019	Mai	.....	D26/61
D861,221 S *	9/2019	Chen	.....	D26/68
D862,761 S *	10/2019	Li	.....	D26/68
D862,763 S *	10/2019	Zhao	.....	D26/71
D866,038 S *	11/2019	Zhang	.....	D26/68
2019/0323686 A1 *	10/2019	Hanson	.....	F21S 9/037

\* cited by examiner

*Primary Examiner* — Clare E Heflin

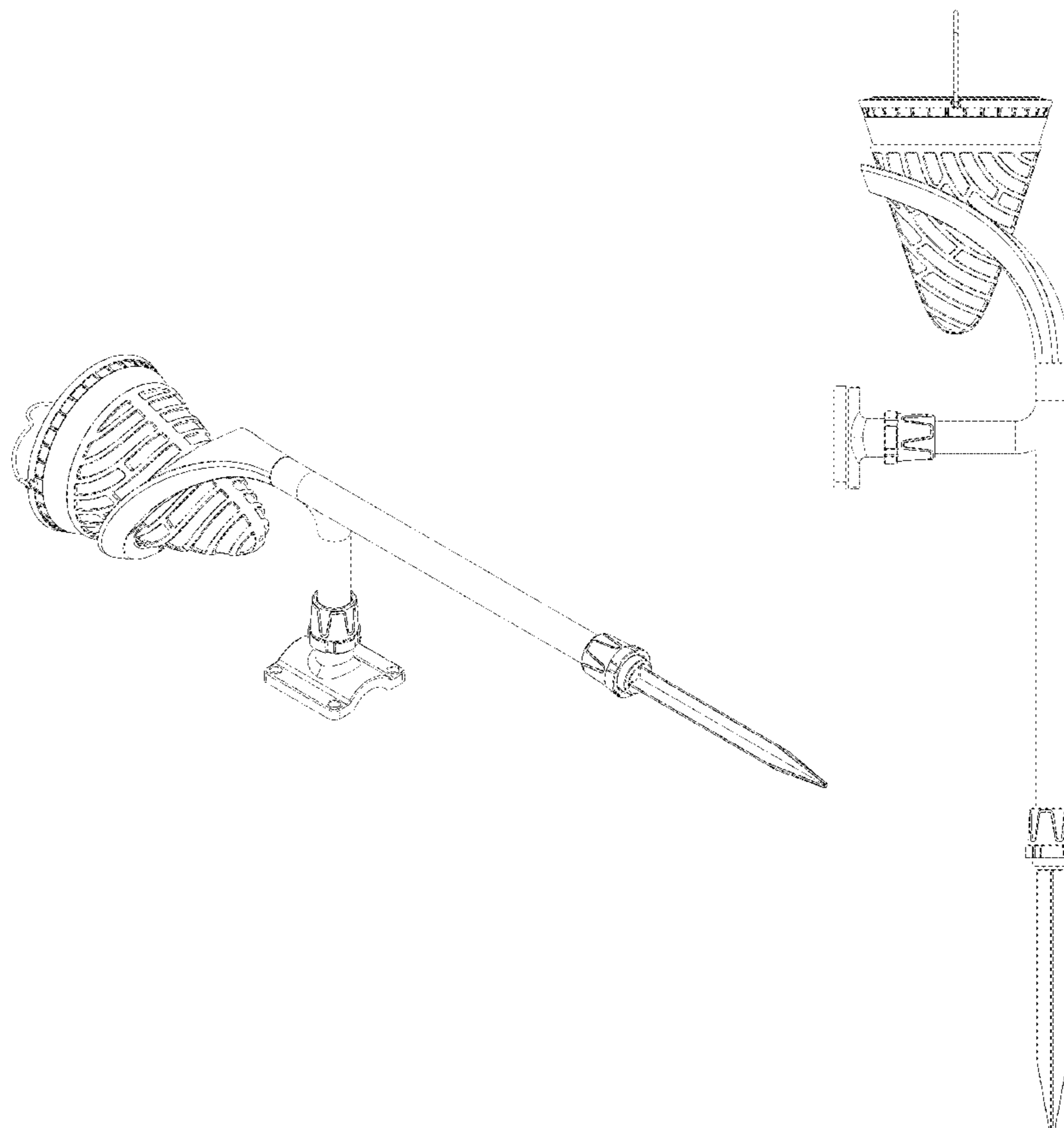
(57) **CLAIM**

The ornamental design for a lighting fixture, as shown and described.

**DESCRIPTION**

FIG. 1 is a rear perspective view of the lighting fixture showing my new design;  
FIG. 2 is a front perspective view thereof;  
FIG. 3 is a front elevational view thereof;  
FIG. 4 is a rear elevational view thereof;  
FIG. 5 is a left side elevational view thereof;  
FIG. 6 is a right side elevational view thereof;  
FIG. 7 is a top plan view thereof;  
FIG. 8 is a bottom plan view thereof; and,  
FIG. 9 is an exploded front view thereof.

**1 Claim, 8 Drawing Sheets**



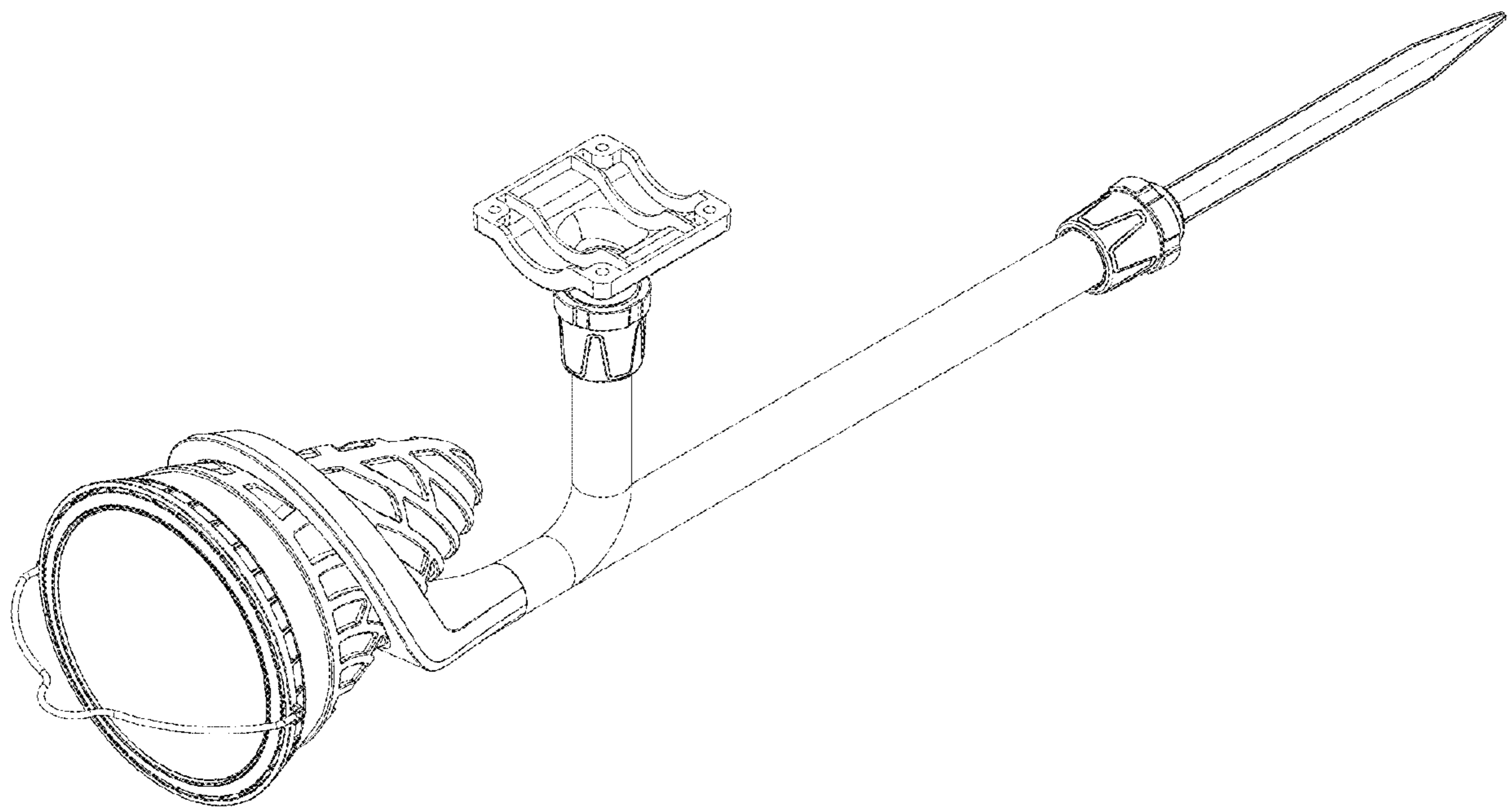


FIG. 1

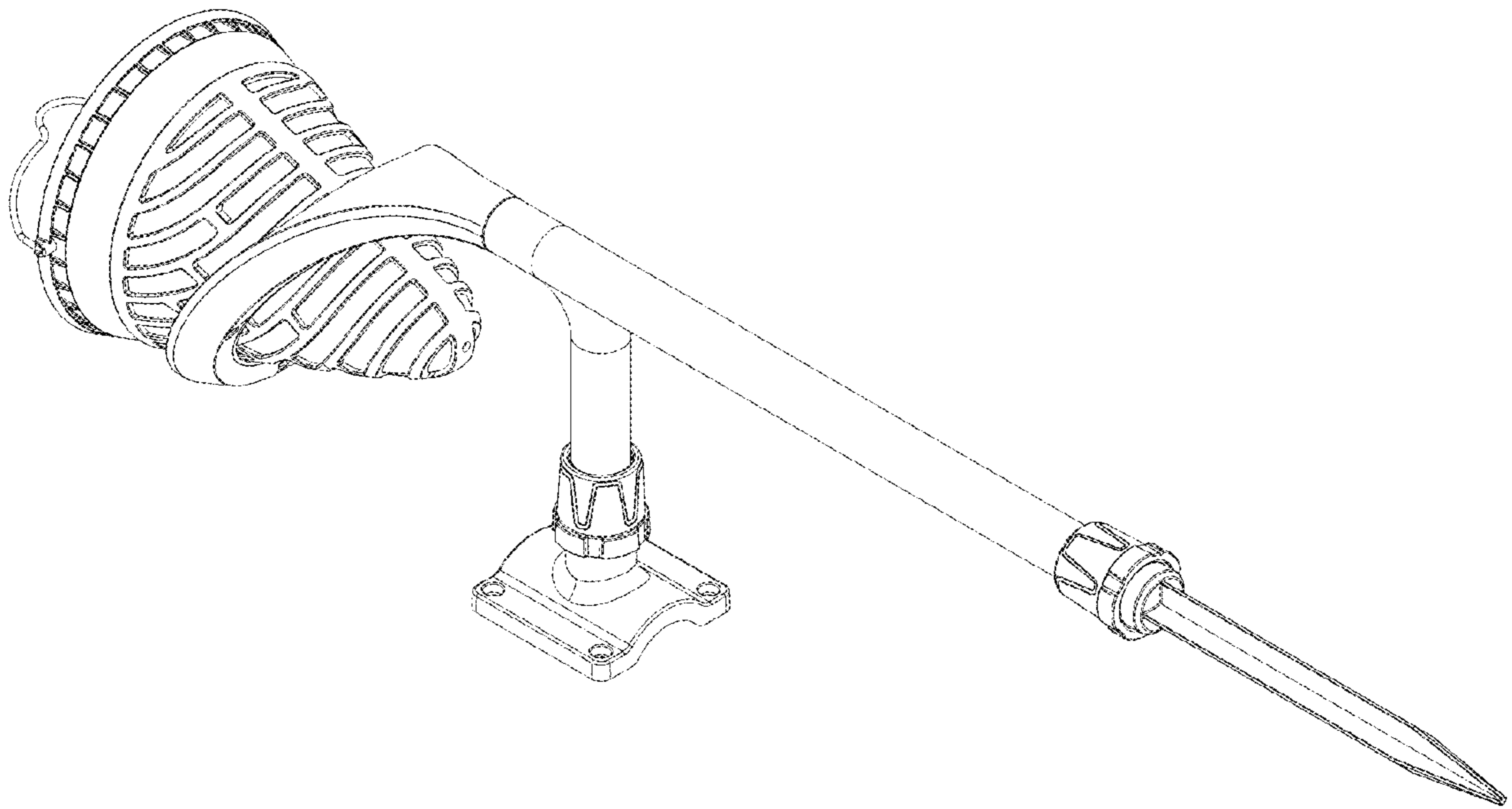


FIG. 2

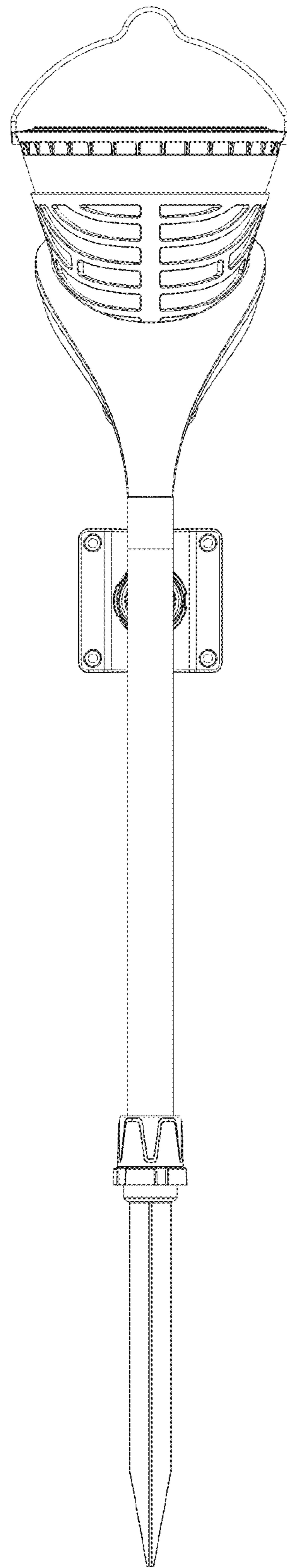


FIG. 3

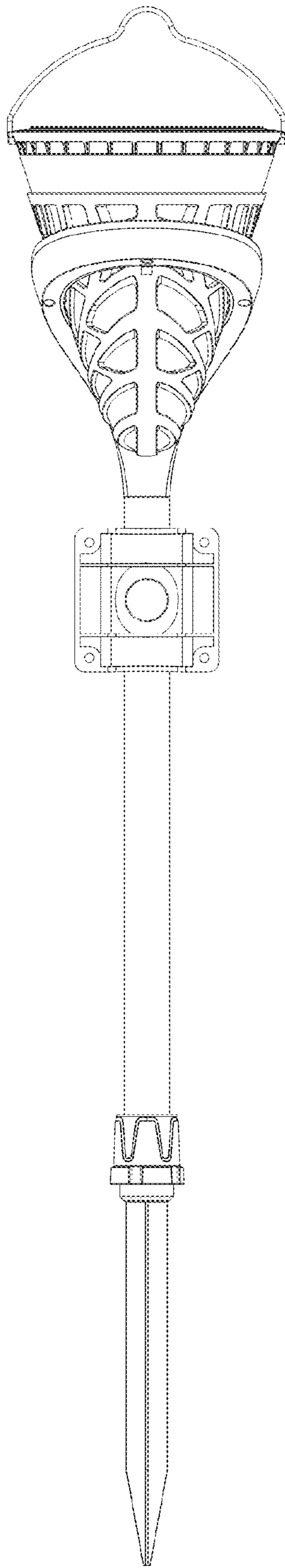


FIG. 4

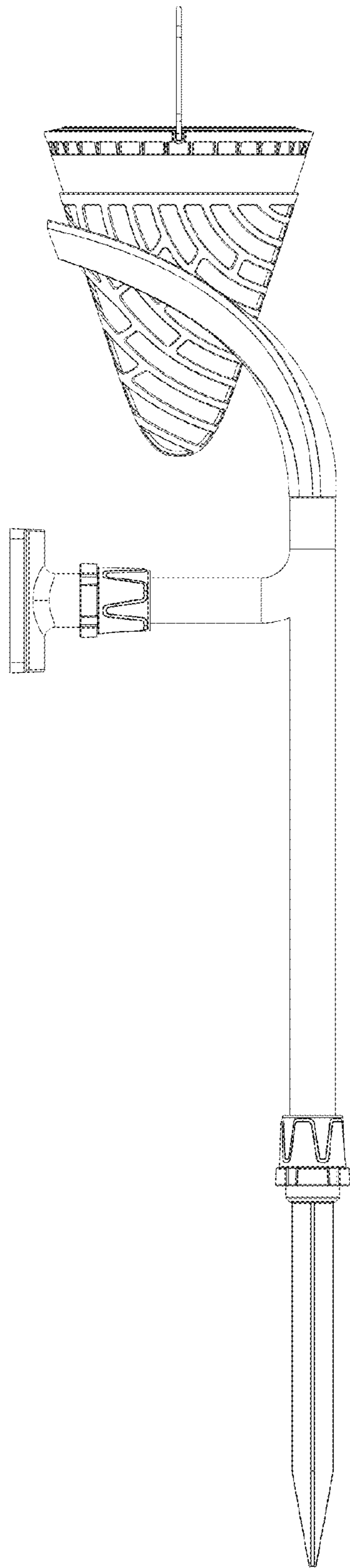


FIG. 5



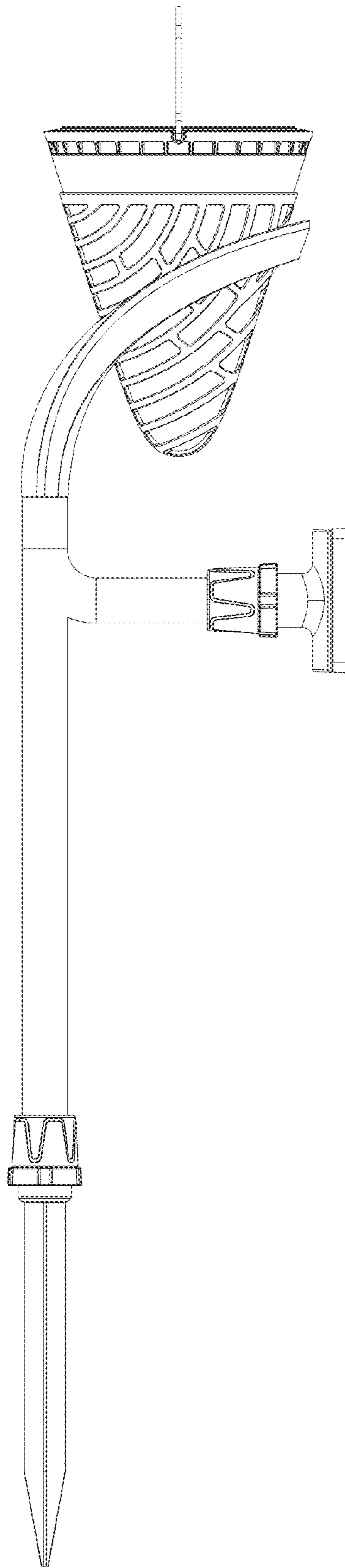


FIG. 6

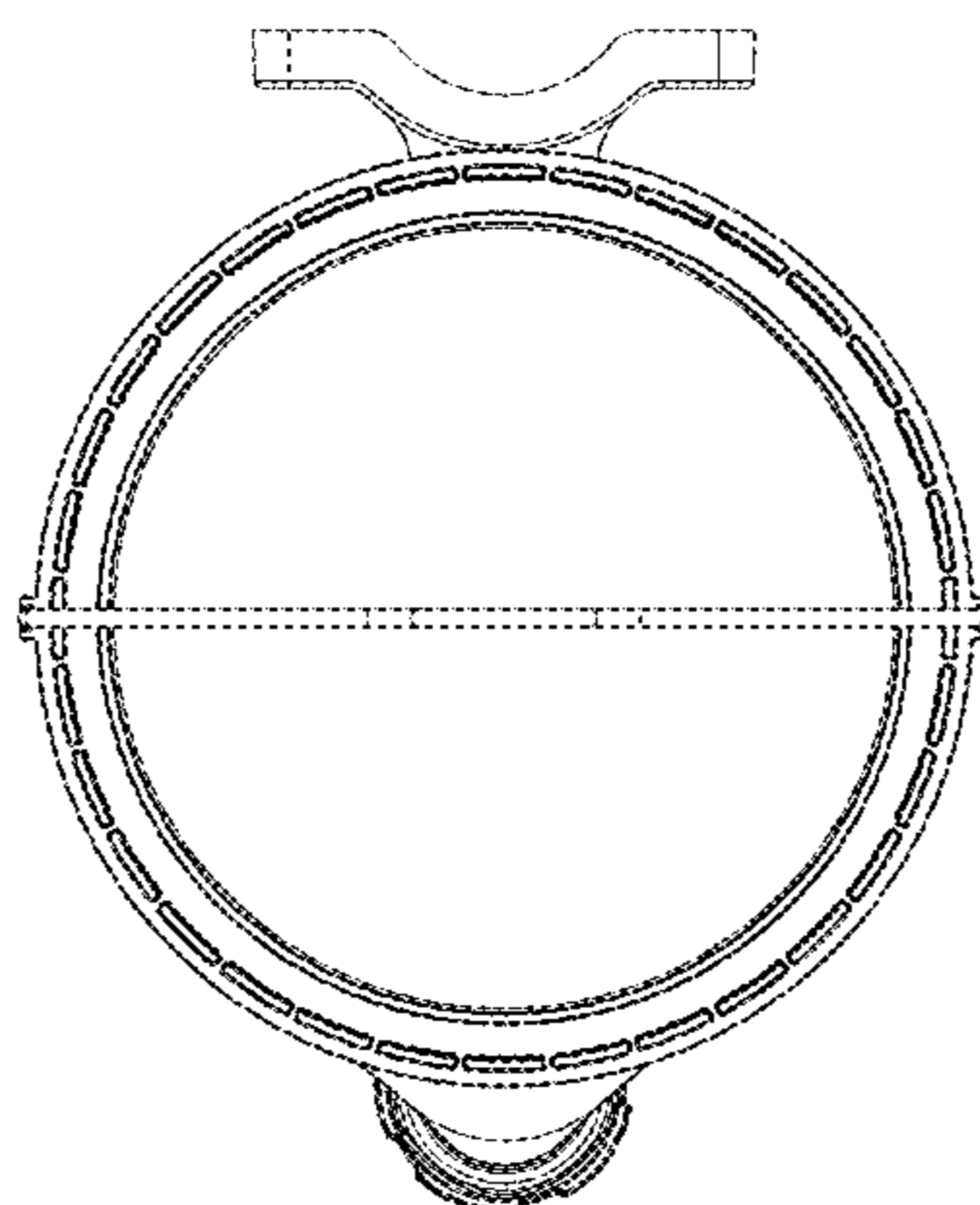


FIG. 7

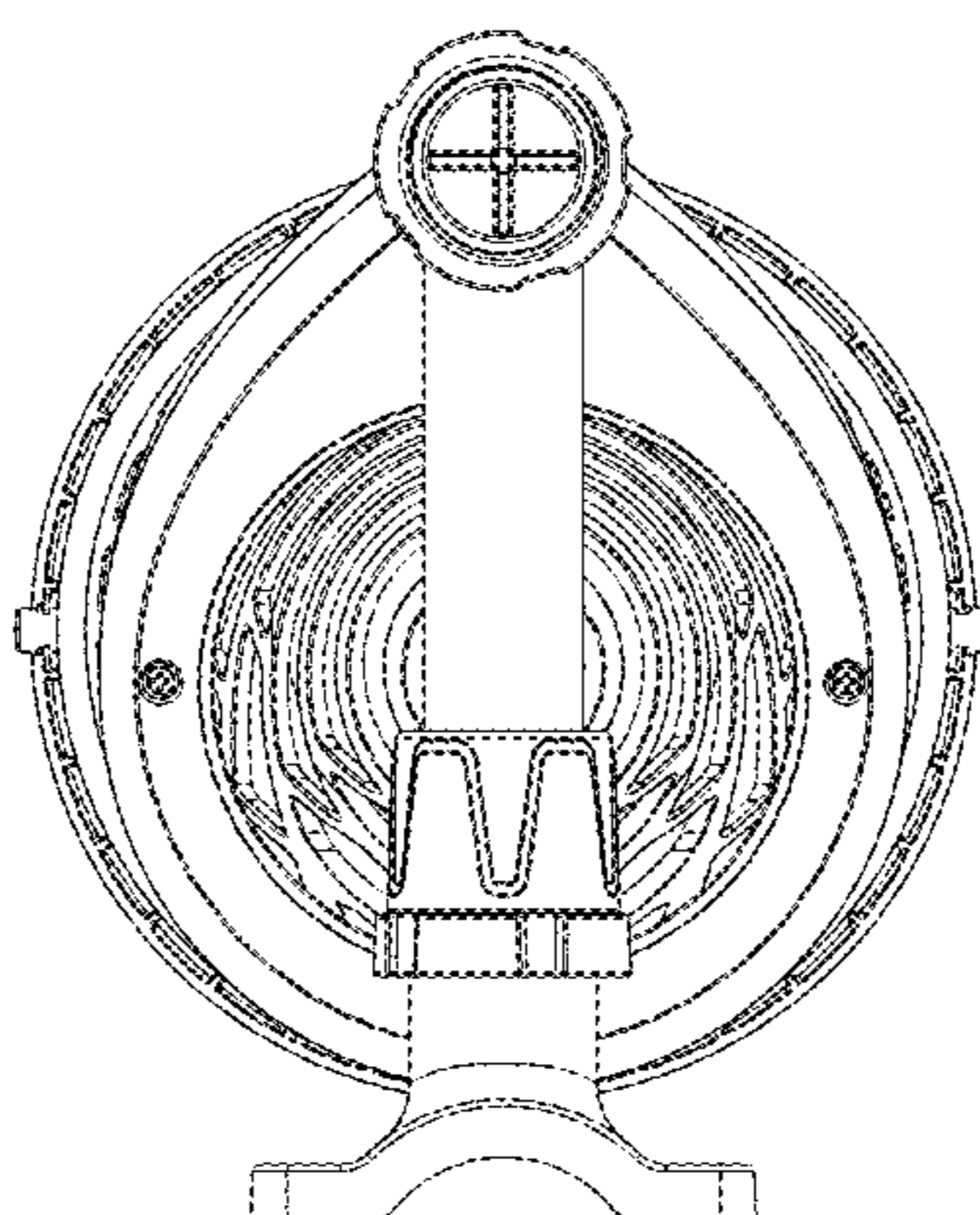


FIG. 8



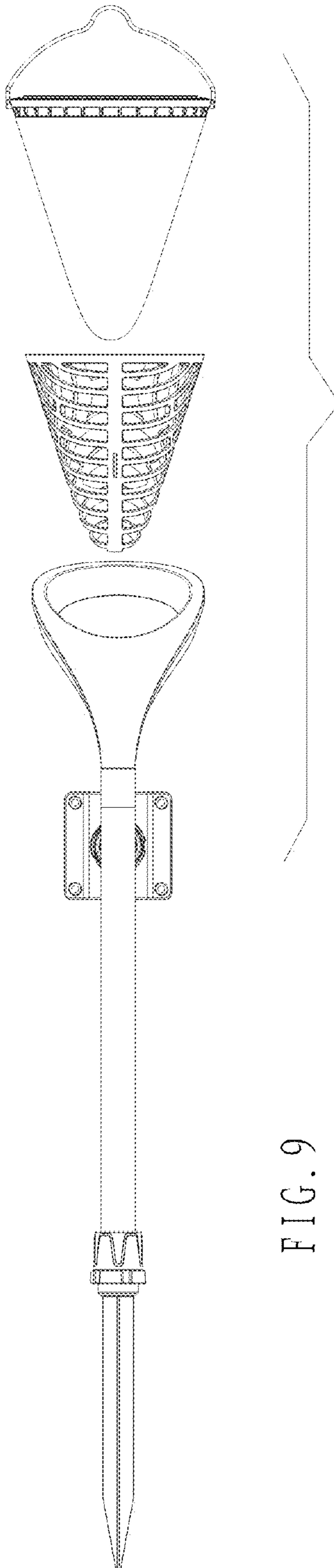


FIG. 9