



US00D880037S

(12) **United States Design Patent**
Zhang

(10) **Patent No.:** **US D880,037 S**
(45) **Date of Patent:** **** Mar. 31, 2020**

(54) **COMBINED SOLAR HANGING LIGHT AND SPIKE LIGHT**

(71) Applicant: **Shenzhen City Yuyiyuan Technology Co., Ltd.**, Guangdong (CN)

(72) Inventor: **Donglin Zhang**, Guangdong (CN)

(**) Term: **15 Years**

(21) Appl. No.: **29/661,025**

(22) Filed: **Aug. 23, 2018**

(51) **LOC (12) Cl.** **26-05**

(52) **U.S. Cl.**
USPC **D26/67; D26/40**

(58) **Field of Classification Search**
USPC D26/63, 67-70, 85, 40, 41
CPC .. F21S 8/081; F21S 8/083; F21S 8/088; F21S 9/03; F21S 9/032; F21S 9/035; F21V 21/0824; F21W 2111/02; F21W 2111/023; F21W 2131/109

See application file for complete search history.

(56) **References Cited**

U.S. PATENT DOCUMENTS

D226,535 S * 3/1973 Anderson, Jr. D26/67
D344,348 S * 2/1994 Lo D26/41
D482,477 S * 11/2003 Wang D26/67

(Continued)

OTHER PUBLICATIONS

Solar Lantern Lights Waterproof Flickering Flame Solar Torch Lights Outdoor Hanging Lanterns by BALIGHT sold at amazon.com Mar. 25, 2019. (Year: 2019).*

(Continued)

Primary Examiner — Clare E Heflin

(74) *Attorney, Agent, or Firm* — Prakash Nama; Global IP Services, PLLC

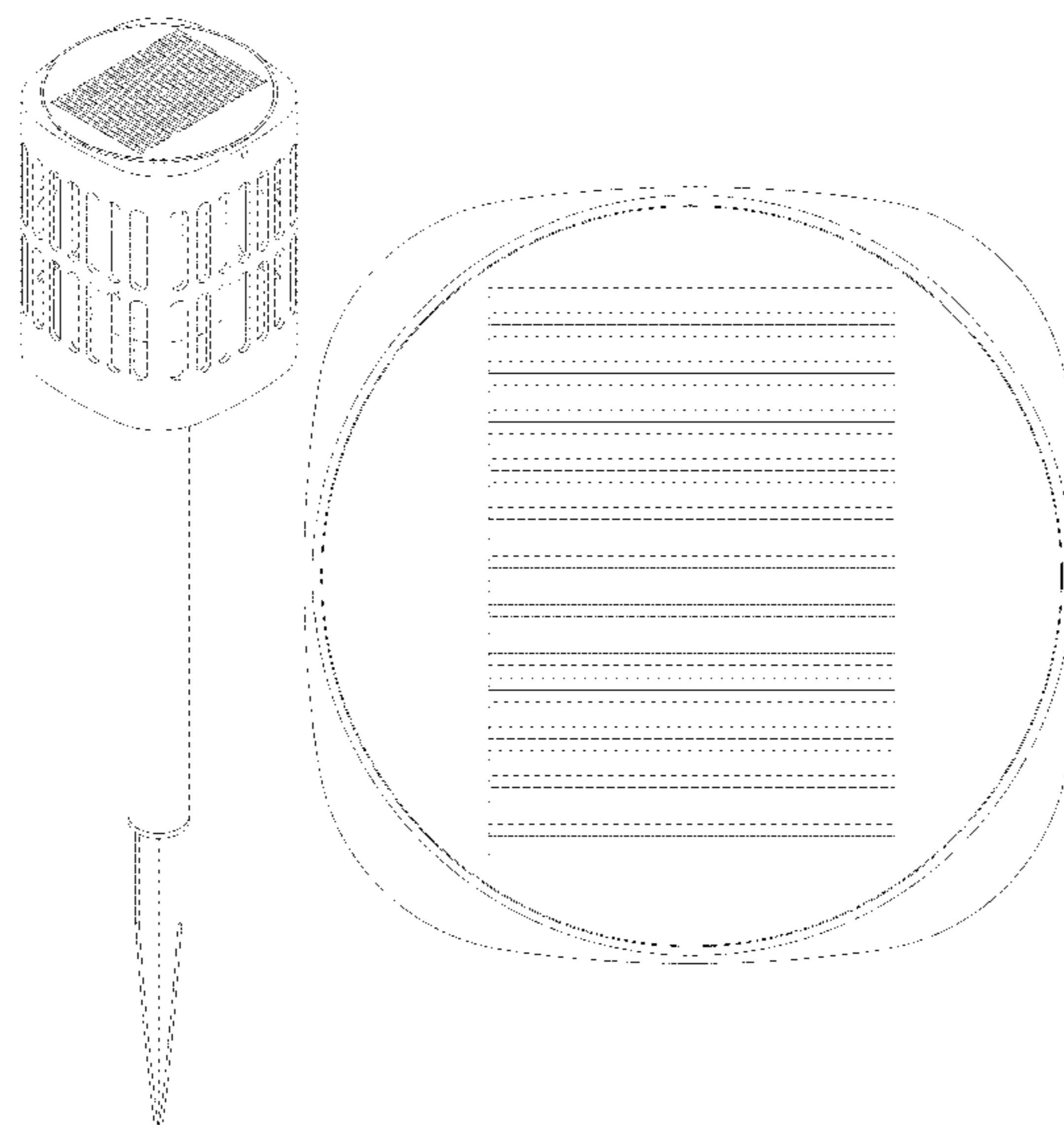
(57) **CLAIM**

The ornamental design for a combined solar hanging light and spike light, as shown and described.

DESCRIPTION

FIG. 1 is a an exploded view of a combined solar hanging light and spike light showing my new design comprising a hanging light, a spike shaft and a spike tip;
FIG. 2 is a perspective view of the combined solar hanging light and spike light in a fully assembled state which defines a spike light;
FIG. 3 is a front elevational view of the hanging light alone;
FIG. 4 is a rear elevational view thereof;
FIG. 5 is a left side view thereof;
FIG. 6 is a right side view thereof;
FIG. 7 is a top plan view thereof;
FIG. 8 is a bottom plan view thereof;
FIG. 9 is a perspective view thereof;
FIG. 10 is a front elevational view of a spike alone which is formed by the spike shaft and the spike tip in an assembled state;
FIG. 11 is a rear elevational view thereof;
FIG. 12 is a left side view thereof;
FIG. 13 is a right side view thereof;
FIG. 14 is an enlarged top plan view thereof;
FIG. 15 is an enlarged bottom plan view thereof;
FIG. 16 is a perspective view thereof;
FIG. 17 is a front elevational view of the spike shown in FIG. 10 in a disassembled state;
FIG. 18 is a rear elevational view thereof;
FIG. 19 is a left side view thereof;
FIG. 20 is a right side view thereof;
FIG. 21 is an enlarged top plan view thereof;
FIG. 22 is an enlarged bottom plan view thereof; and,
FIG. 23 is a perspective view thereof.
The broken lines shown in FIG. 8 of the combined solar hanging light and spike light form no part of the claimed design.

1 Claim, 19 Drawing Sheets



(56)

References Cited

U.S. PATENT DOCUMENTS

D615,684	S	*	5/2010	Chen	D26/68
D670,013	S	*	10/2012	Bertken	D26/40
D816,254	S	*	4/2018	Zhang	D26/68
D822,867	S	*	7/2018	Chen	D26/67
D827,898	S	*	9/2018	Li	D26/67
D841,213	S	*	2/2019	Zhuo	D26/68
D845,527	S	*	4/2019	Hsu	D26/41
D848,043	S	*	5/2019	Zhuo	D26/41
D851,315	S	*	6/2019	Chen	D26/67
2011/0299272	A1	*	12/2011	Ko	F21S 8/081 362/183

OTHER PUBLICATIONS

Solar Lanterns Solar Powered and USB Charging Flickering Flames
Solar Lights Outdoor Hanging Lanterns by BEBRANT sold at
amazon.com as early as Mar. 30, 2019. (Year: 2019).*

* cited by examiner

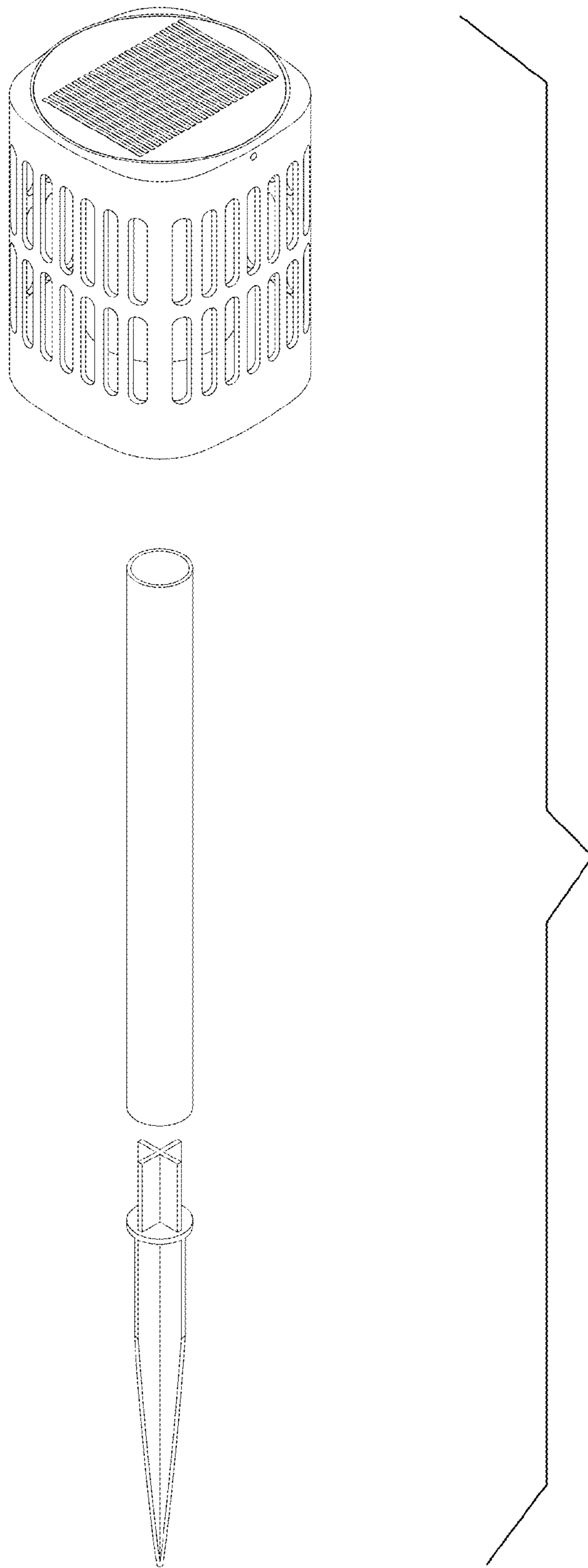


Fig. 1

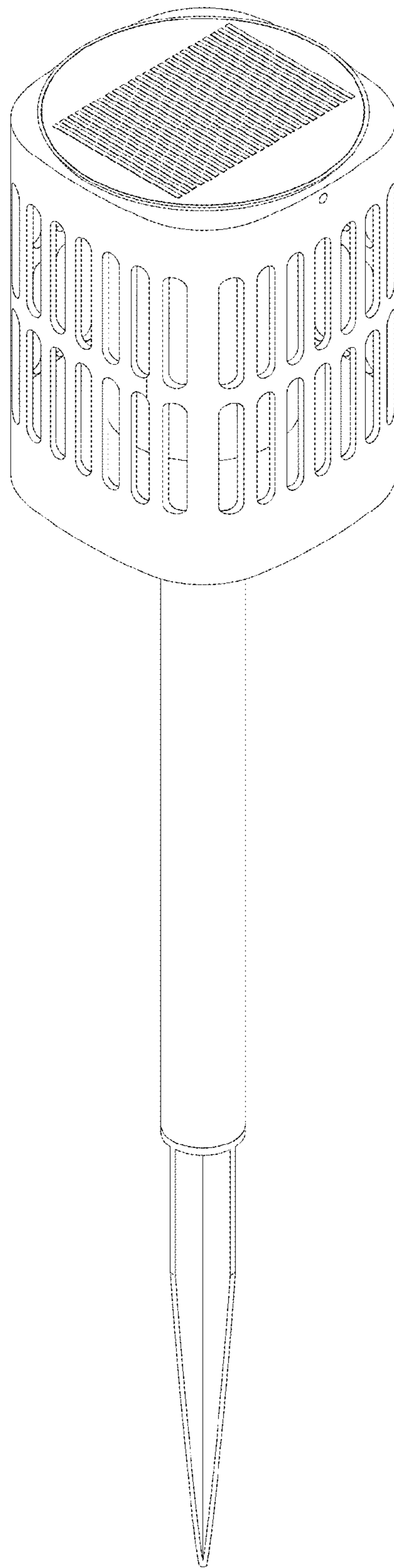


Fig. 2

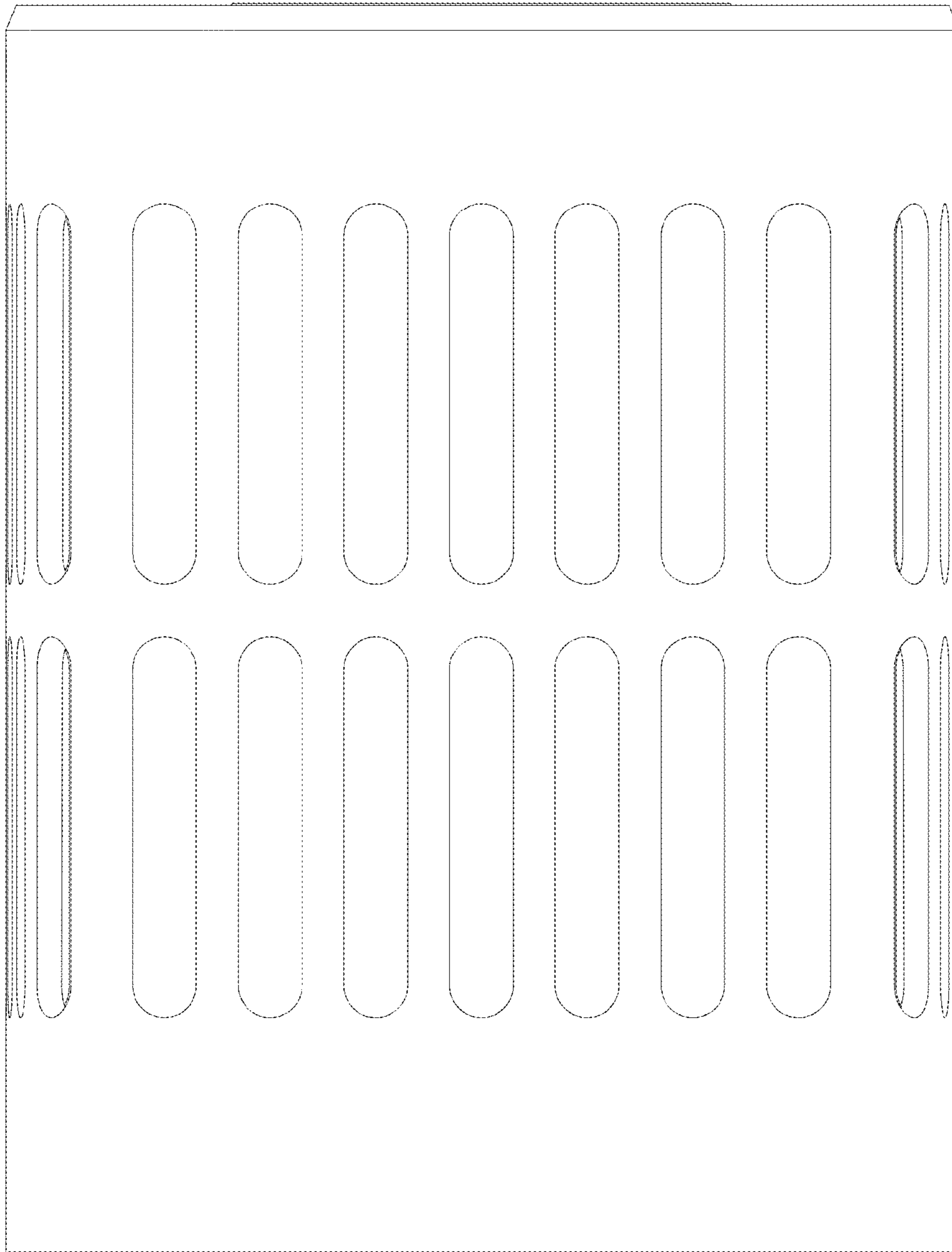


Fig. 3

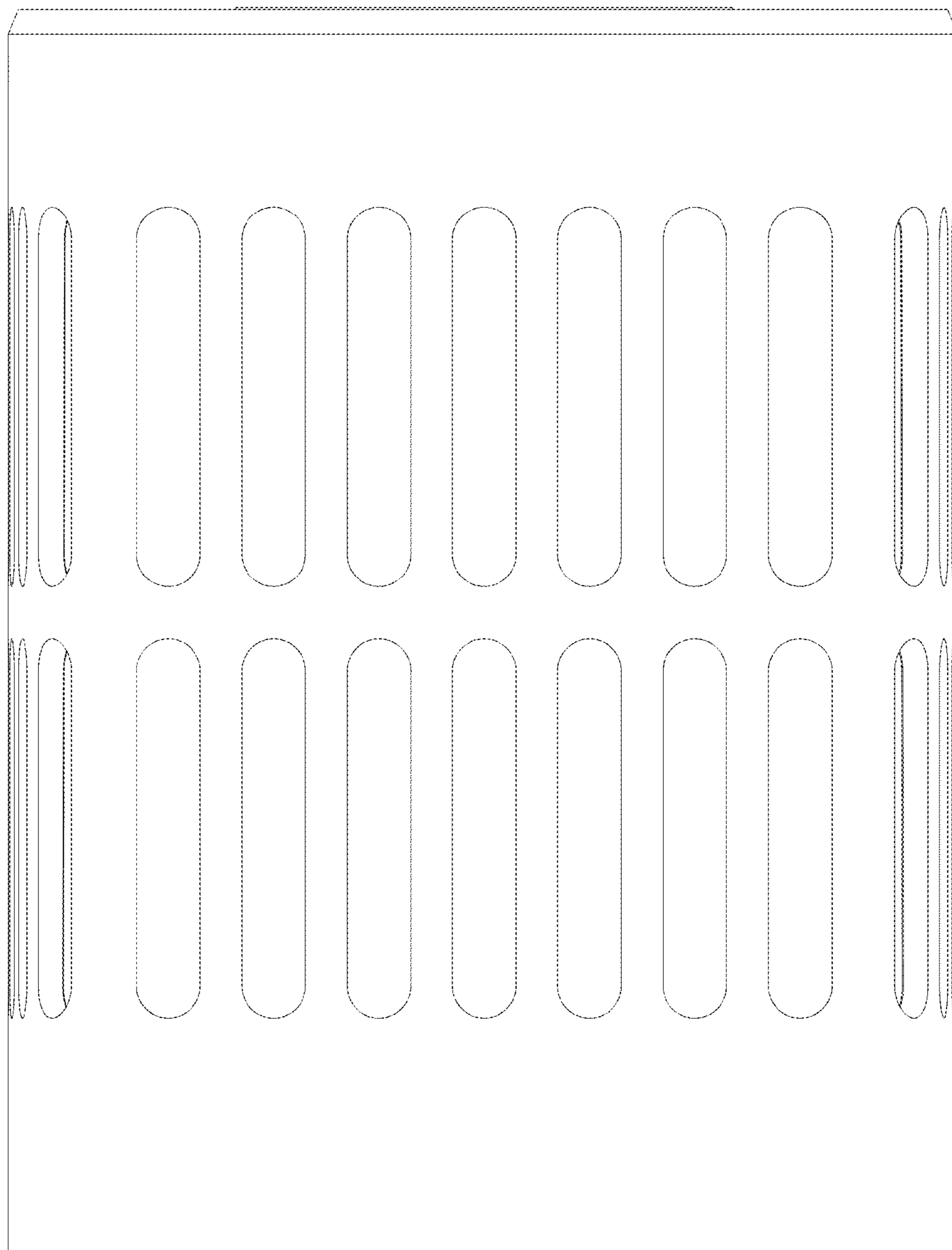


Fig. 4

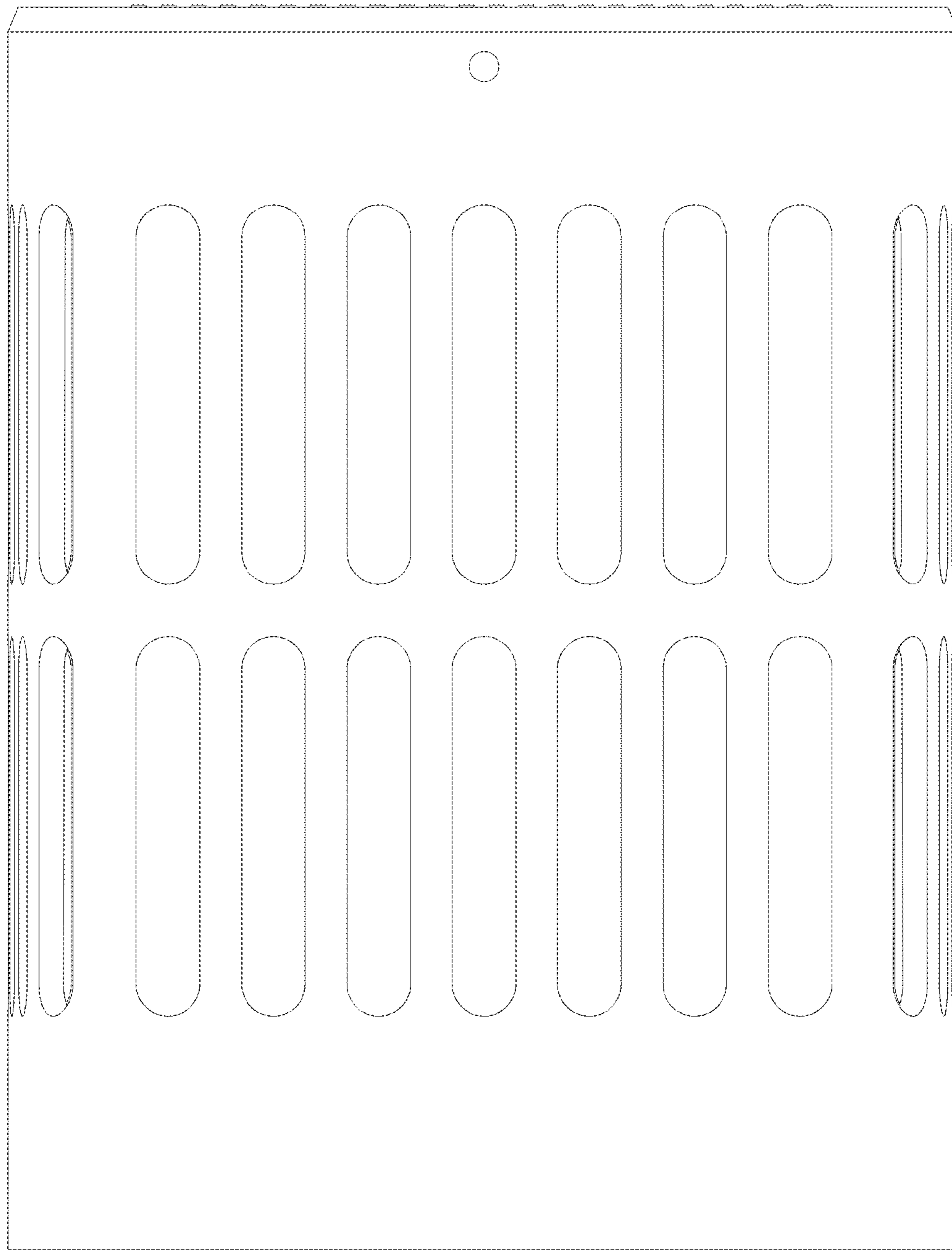


Fig. 5

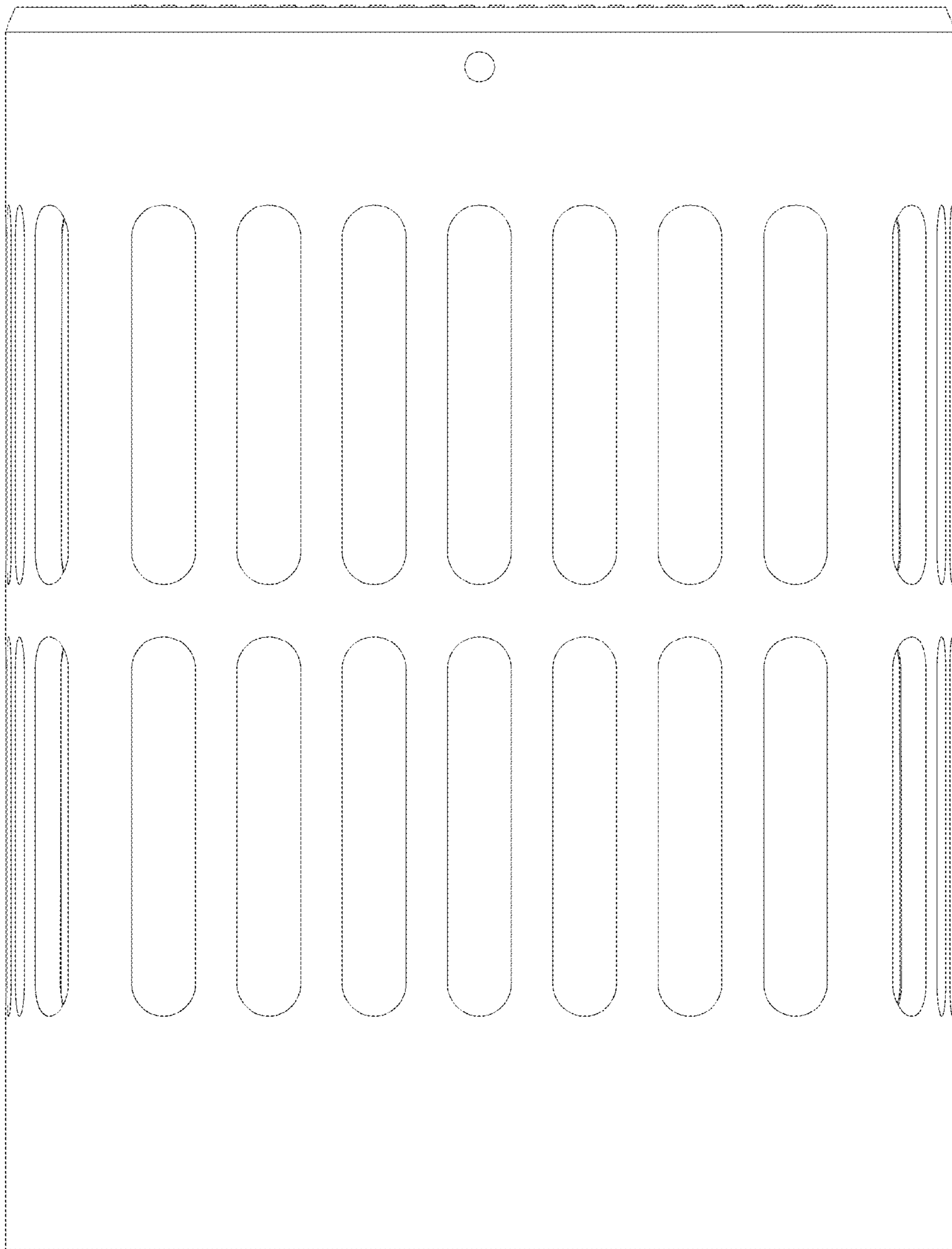


Fig. 6

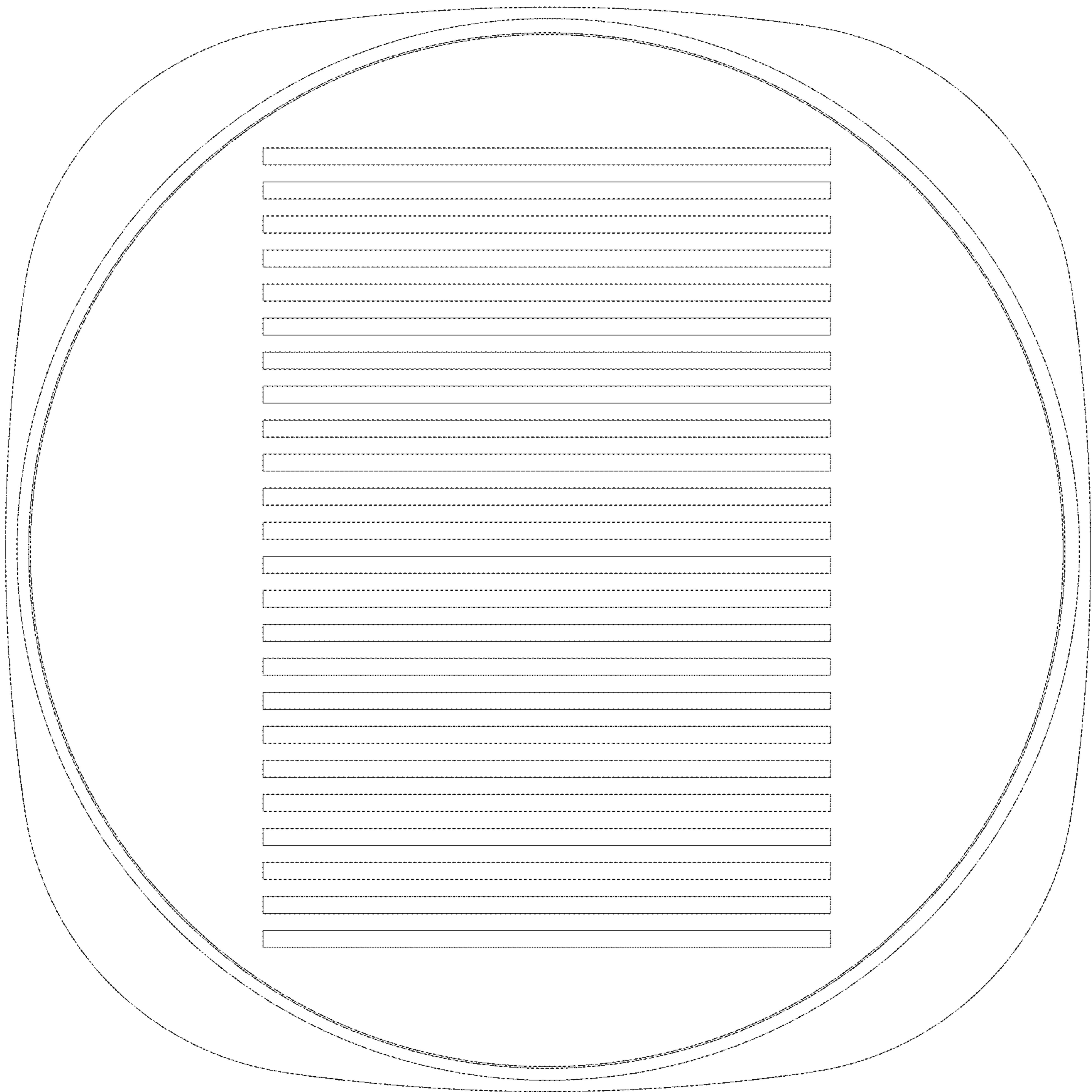


Fig. 7

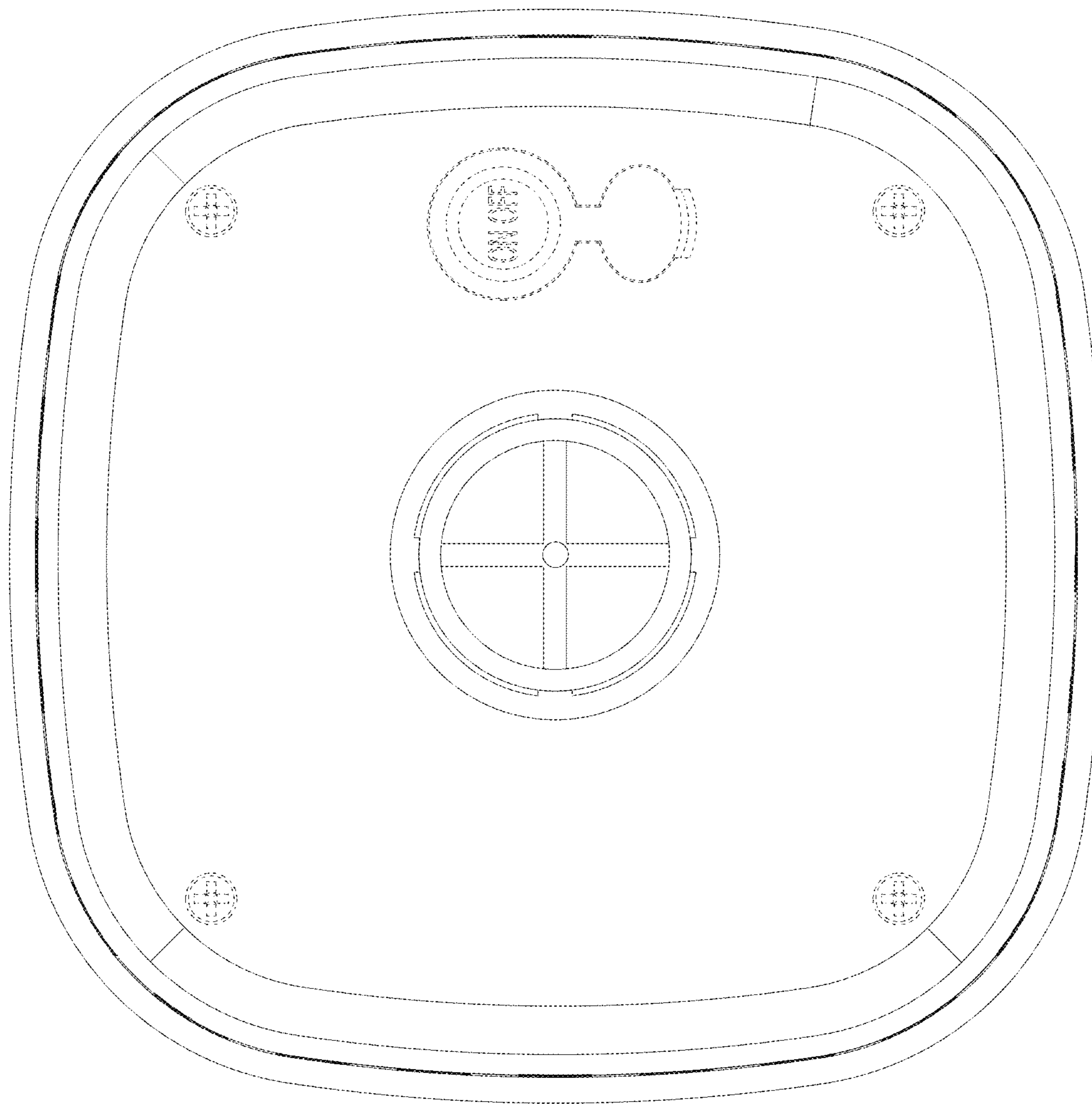


Fig. 8

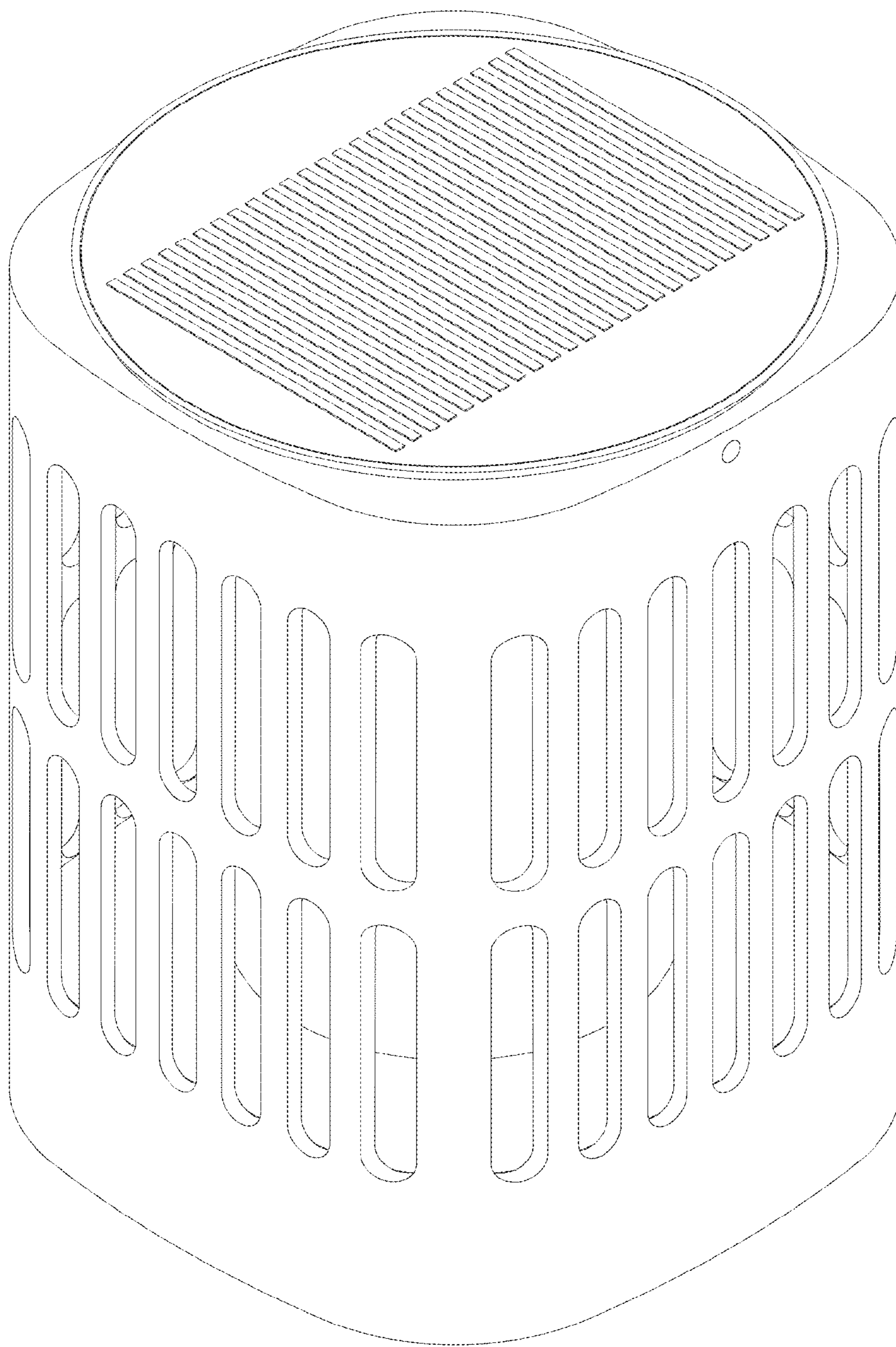


Fig. 9

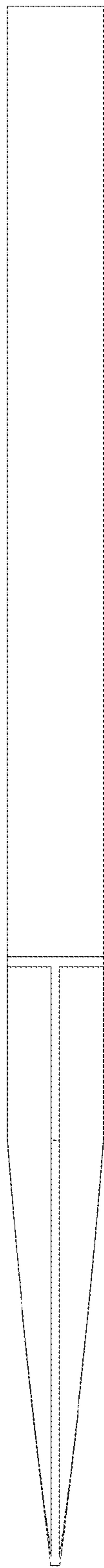


Fig. 10

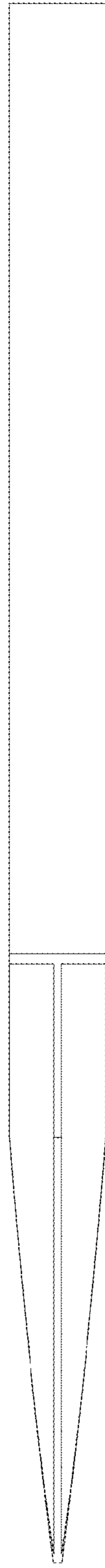


Fig. 11

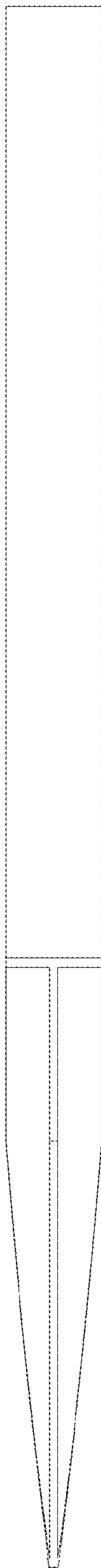


Fig. 12



Fig. 13

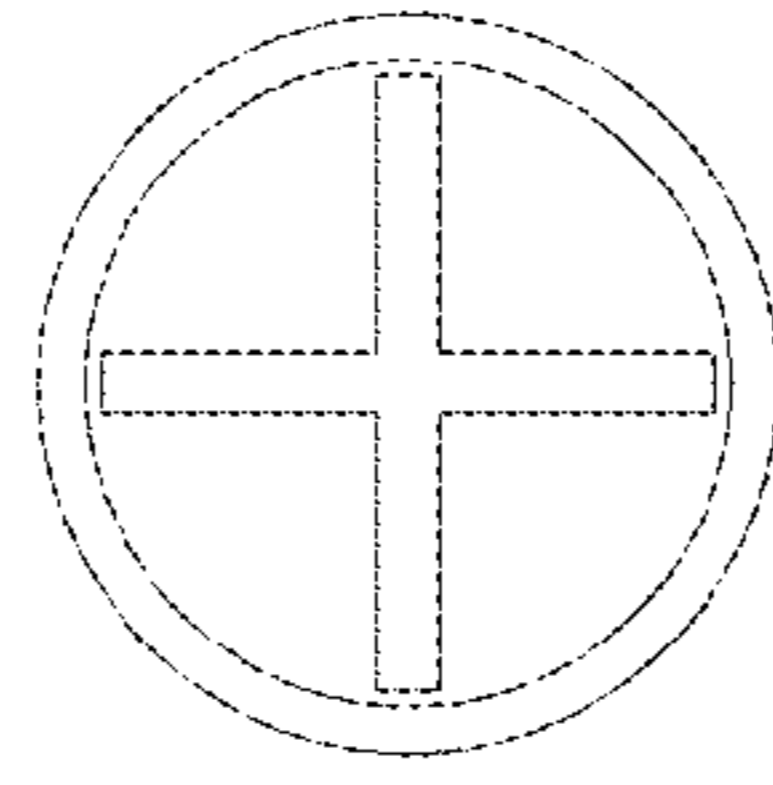


Fig. 14

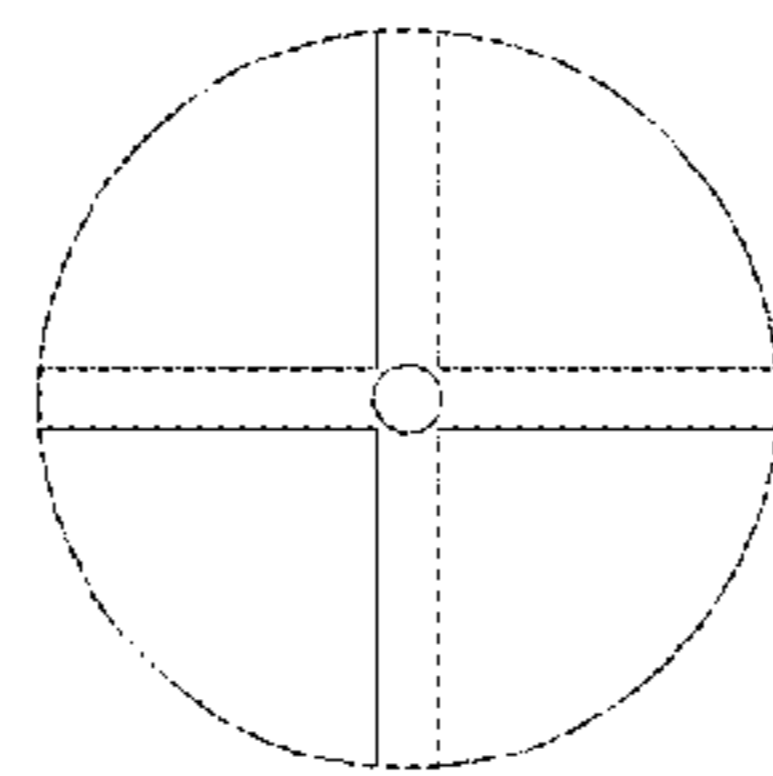


Fig. 15

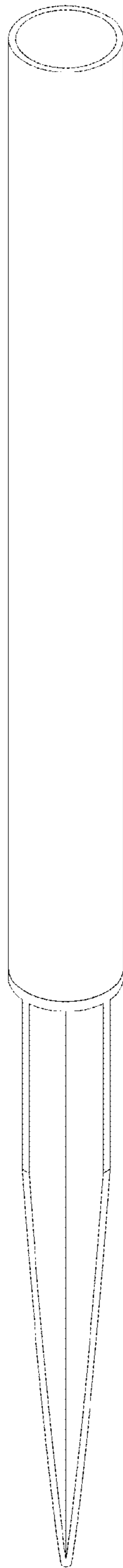


Fig. 16

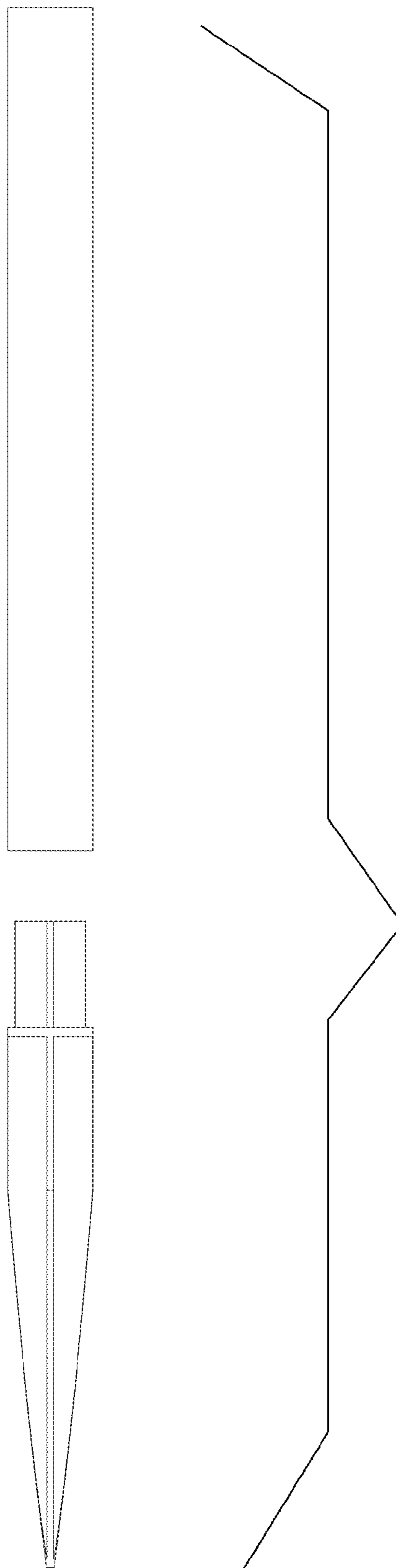


Fig. 17

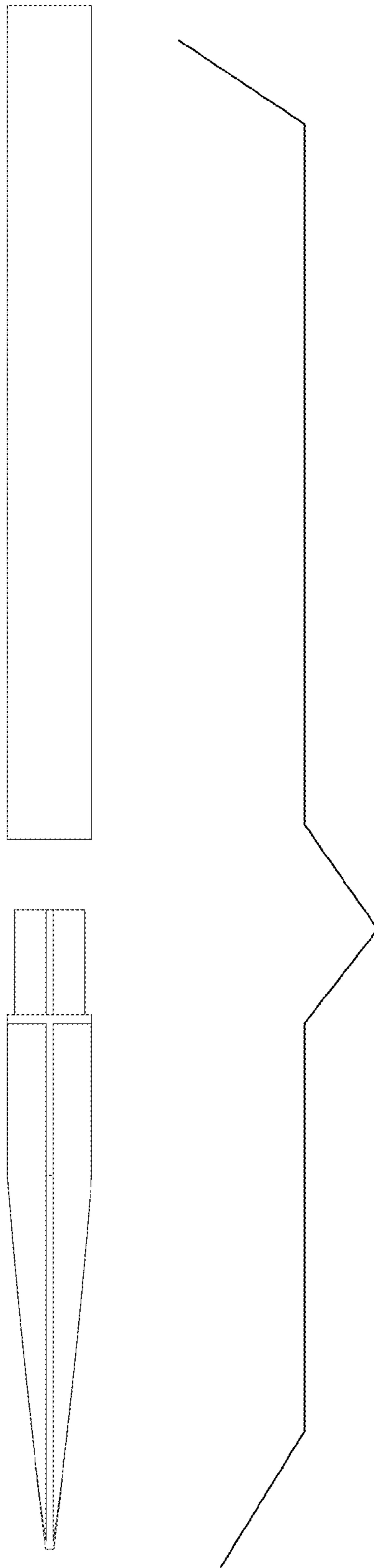


Fig. 18

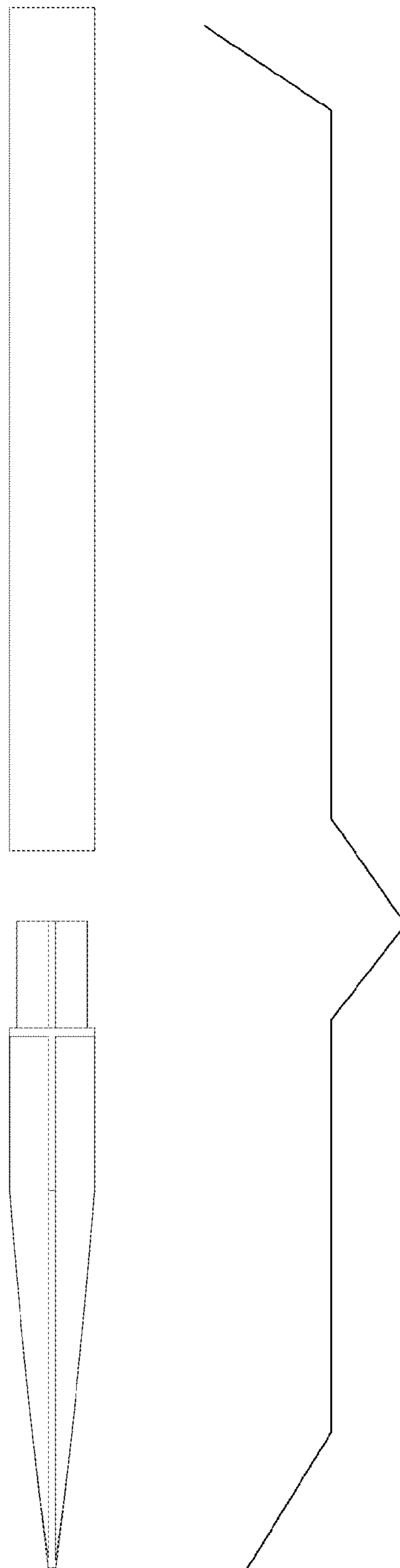


Fig. 19

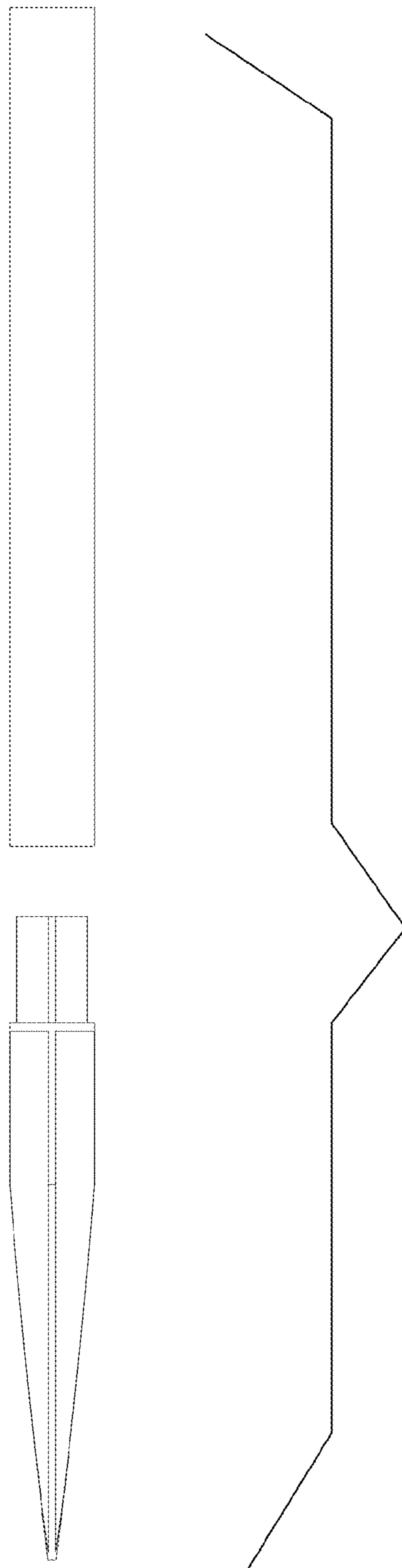


Fig. 20

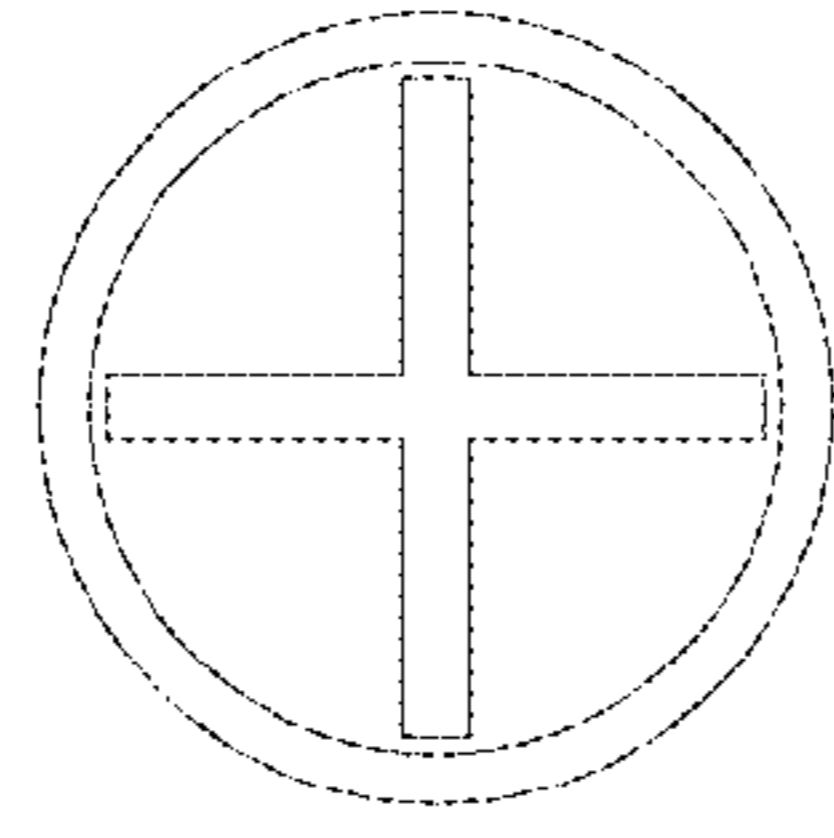


Fig. 21

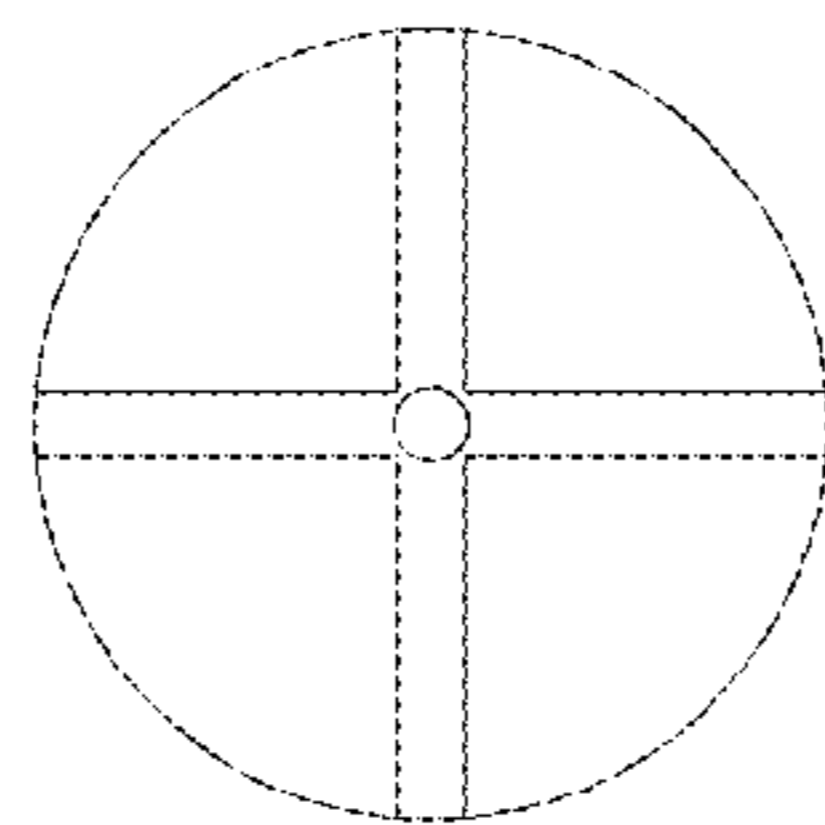


Fig. 22

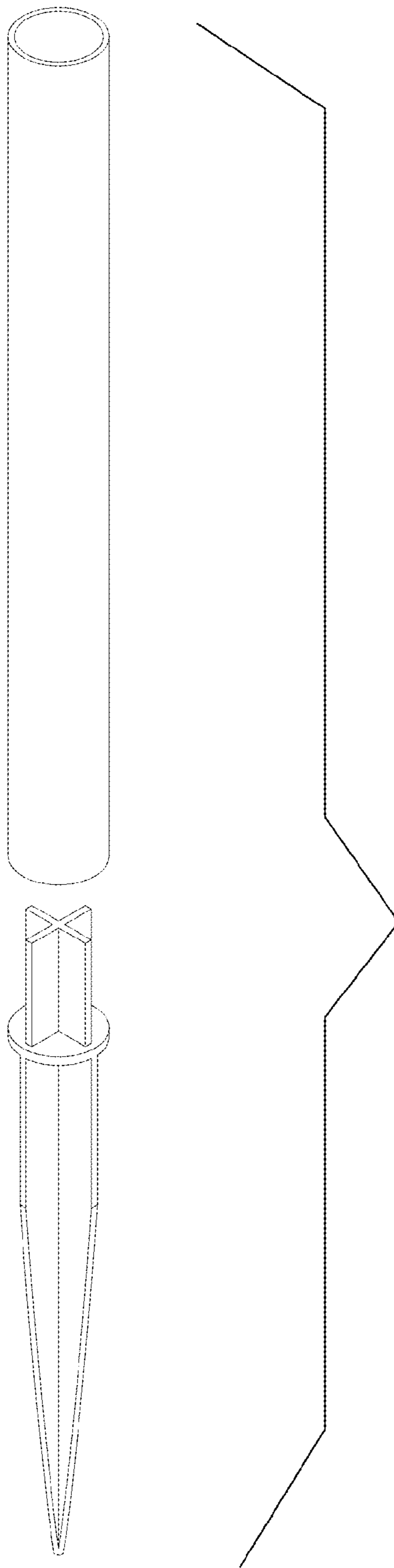


Fig. 23