



US00D880036S

(12) **United States Design Patent**  
**Qiu**

(10) **Patent No.:** **US D880,036 S**  
(45) **Date of Patent:** **\*\* Mar. 31, 2020**

(54) **WORKING LAMP**

- (71) Applicant: **NINGBO FUTAI ELECTRIC LIMITED**, Ningbo, Zhejiang (CN)
- (72) Inventor: **Fujun Qiu**, Ningbo (CN)
- (73) Assignee: **NINGBO FUTAI ELECTRIC LIMITED**, Ningbo, Zhejiang (CN)
- (\*\*) Term: **15 Years**
- (21) Appl. No.: **29/665,364**
- (22) Filed: **Oct. 2, 2018**
- (51) **LOC (12) Cl.** ..... **26-05**
- (52) **U.S. Cl.**  
USPC ..... **D26/63; D26/61**
- (58) **Field of Classification Search**  
USPC ... D26/1, 24, 37, 41, 44, 49, 51, 60, 61, 63,  
D26/65, 85, 92, 119

(Continued)

(56) **References Cited**

**U.S. PATENT DOCUMENTS**

- D638,153 S \* 5/2011 Christ ..... D26/42
- D700,382 S \* 2/2014 Christ ..... D26/41

(Continued)

*Primary Examiner* — Wan Laymon  
*Assistant Examiner* — Clint A Samuel

(74) *Attorney, Agent, or Firm* — Raymond Y. Chan;  
David and Raymond Patent Firm

(57) **CLAIM**

The ornamental design for a working lamp, as shown and described.

**DESCRIPTION**

FIG. 1 is a front view of the working lamp showing my new design according to a first embodiment;

FIG. 2 is a rear view thereof according to the first embodiment;  
 FIG. 3 is a left view thereof according to the first embodiment;  
 FIG. 4 is a right view thereof according to the first embodiment;  
 FIG. 5 is a top view thereof according to the first embodiment;  
 FIG. 6 is a bottom view thereof according to the first embodiment;  
 FIG. 7 is a front perspective view thereof according to the first embodiment;  
 FIG. 8 is a rear perspective view thereof according to the first embodiment;  
 FIG. 9 is a front perspective view thereof according to the first embodiment, illustrating a standing position of the working lamp;  
 FIG. 10 is a rear perspective view thereof according to the first embodiment, illustrating the standing position of the working lamp;  
 FIG. 11 is a front view of the working lamp showing my new design according to a second embodiment, wherein the second embodiment illustrates an alternative mode of the first embodiment to modify an edge protector of the working lamp;  
 FIG. 12 is a rear view thereof according to the second embodiment;  
 FIG. 13 is a left view thereof according to the second embodiment;  
 FIG. 14 is a right view thereof according to the second embodiment;  
 FIG. 15 is a top view thereof according to the second embodiment;  
 FIG. 16 is a bottom view thereof according to the second embodiment;  
 FIG. 17 is a front perspective view thereof according to the second embodiment;  
 FIG. 18 is a rear perspective view thereof according to the second embodiment;  
 FIG. 19 is a front perspective view thereof according to the second embodiment, illustrating a standing position of the working lamp; and,

(Continued)

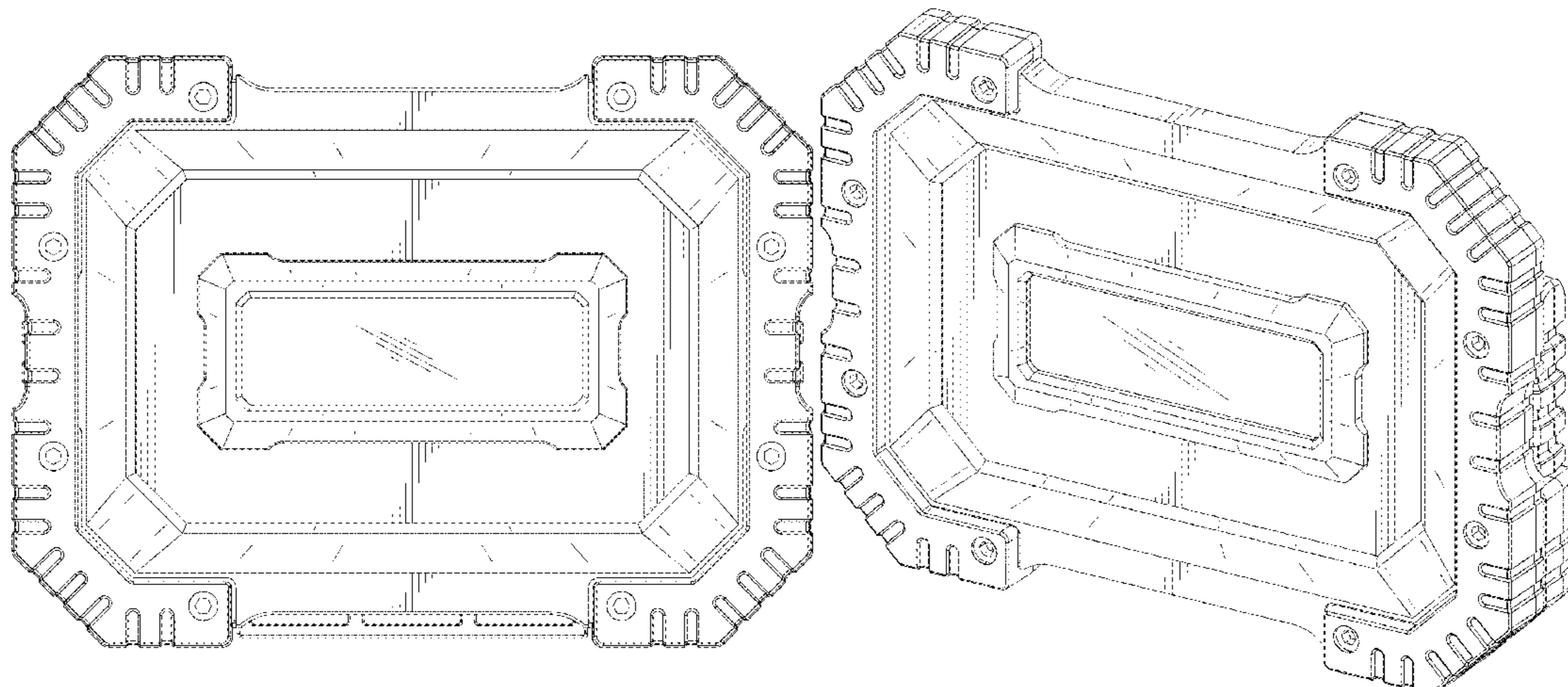


FIG. 20 is a rear perspective view thereof according to the second embodiment, illustrating the standing position of the working lamp.

**1 Claim, 20 Drawing Sheets**

(58) **Field of Classification Search**

CPC ..... F21V 21/00; F21V 21/06; F21V 21/08;  
 F21V 21/14; F21V 21/26; F21V 21/30;  
 F21V 3/00; F21V 5/00; F21S 8/00; F21S  
 8/08; F21S 8/003; F21S 8/043; F21L  
 4/00; F21L 4/02; F21L 4/04; F21L 4/08;  
 F21L 4/005; F21L 4/025; F21L 4/027

See application file for complete search history.

(56) **References Cited**

U.S. PATENT DOCUMENTS

D763,492 S \* 8/2016 Bryant ..... D26/37  
 10,072,829 B1 \* 9/2018 Christ ..... F21L 4/04

D834,232 S \* 11/2018 Green ..... D26/65  
 D835,315 S \* 12/2018 Zhu ..... D26/44  
 D843,626 S \* 3/2019 Green ..... D26/65  
 D843,627 S \* 3/2019 Green ..... D26/65  
 D844,207 S \* 3/2019 Zhang ..... D26/63  
 D844,208 S \* 3/2019 You ..... D26/63  
 D854,718 S \* 7/2019 Yuan ..... D26/63  
 D855,854 S \* 8/2019 Cao ..... D26/63  
 D858,844 S \* 9/2019 Fang ..... D26/63  
 D861,946 S \* 10/2019 Green ..... D26/65  
 10,429,013 B1 \* 10/2019 Fang ..... F21L 2/00  
 D866,027 S \* 11/2019 Cacciabeve ..... D26/37  
 2013/0329430 A1 \* 12/2013 Christ ..... F21L 4/08  
 362/249.03  
 2014/0334155 A1 \* 11/2014 Christ ..... F21L 4/08  
 362/249.03  
 2017/0108197 A1 \* 4/2017 Cacciabeve ..... F21V 15/04  
 2019/0093867 A1 \* 3/2019 Qiu ..... F21V 21/406  
 2019/0285256 A1 \* 9/2019 Hong ..... F21S 6/005  
 2019/0285257 A1 \* 9/2019 Gall ..... F21V 21/145

\* cited by examiner

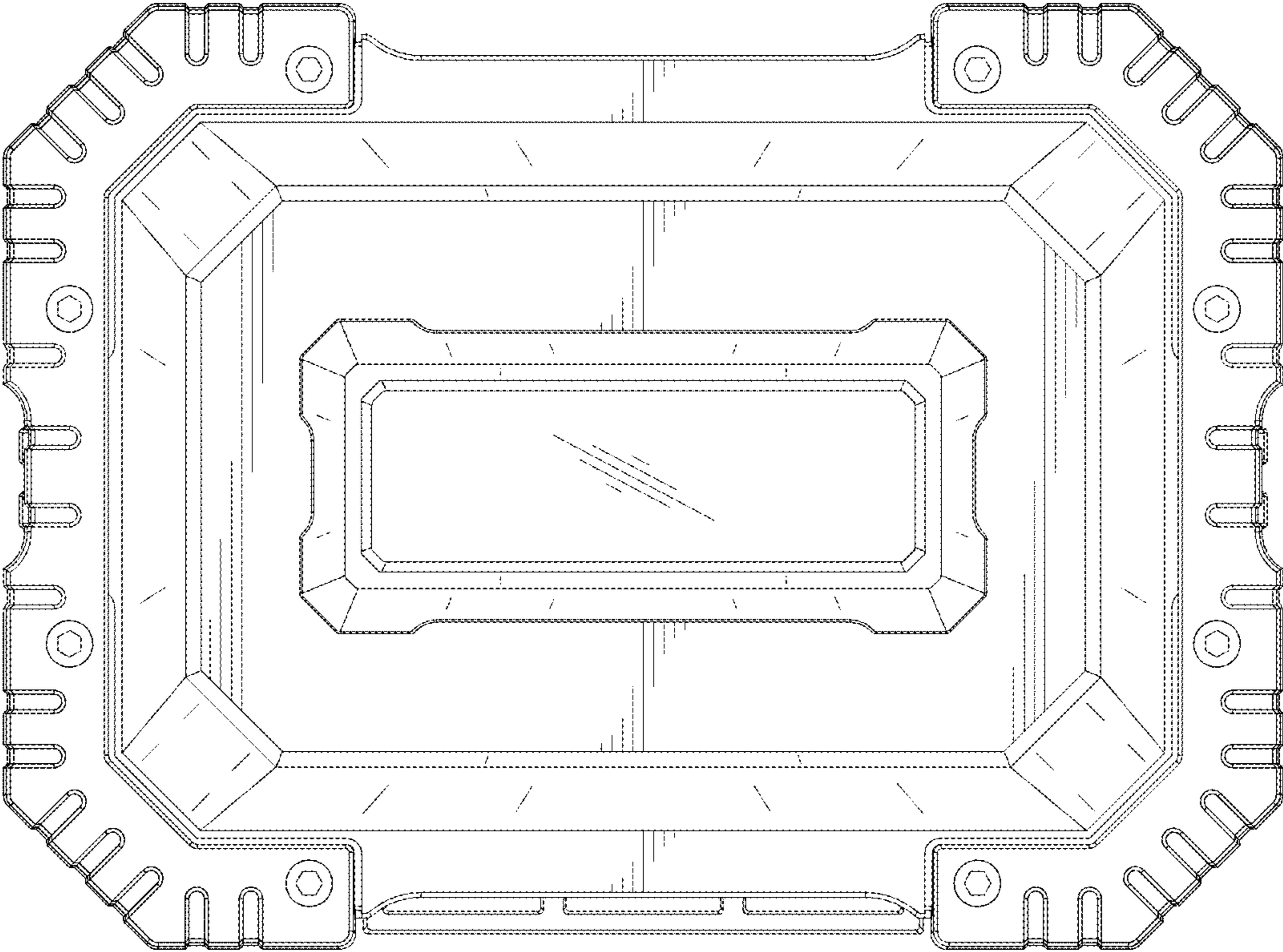


FIG.1

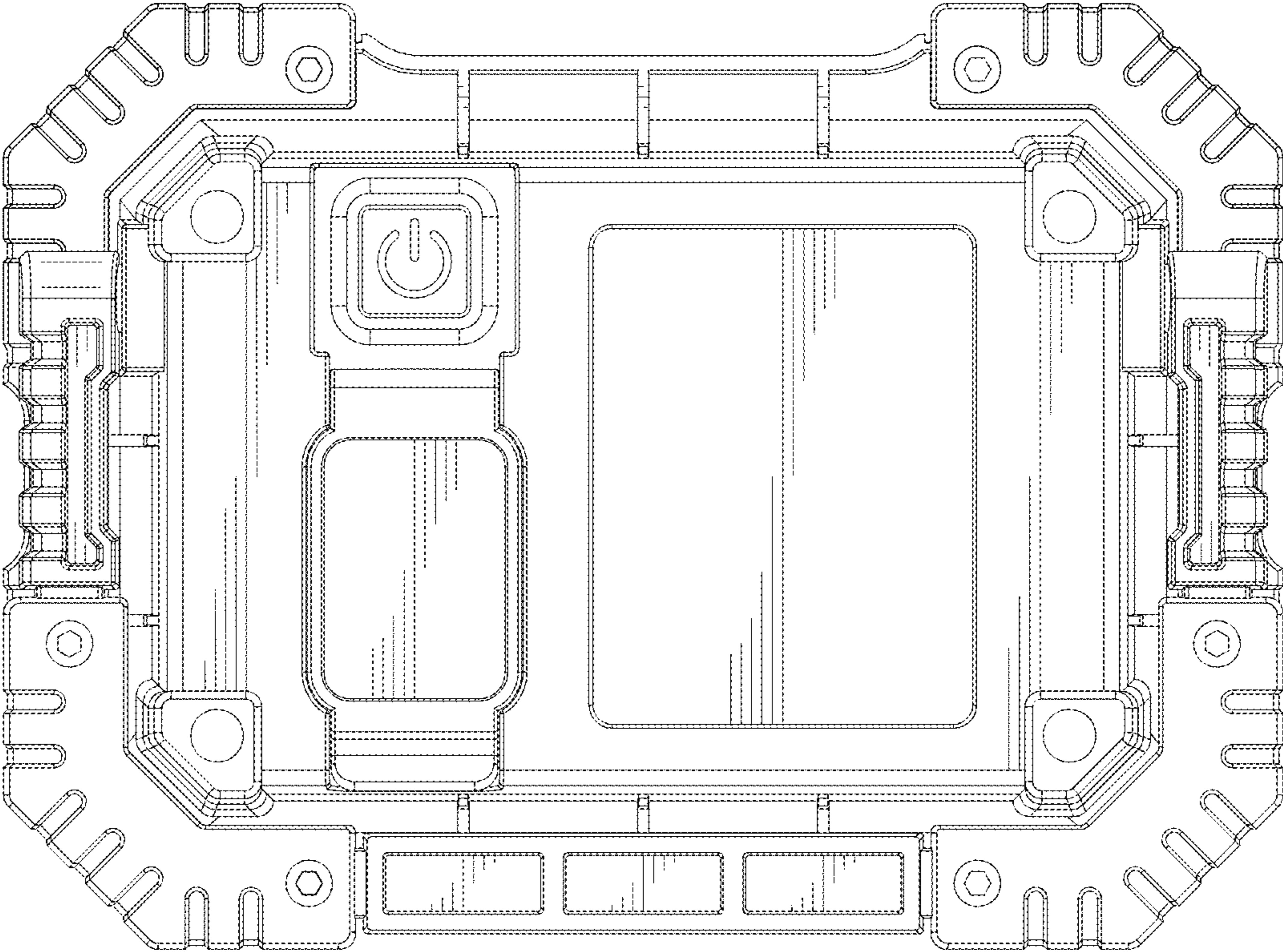


FIG.2

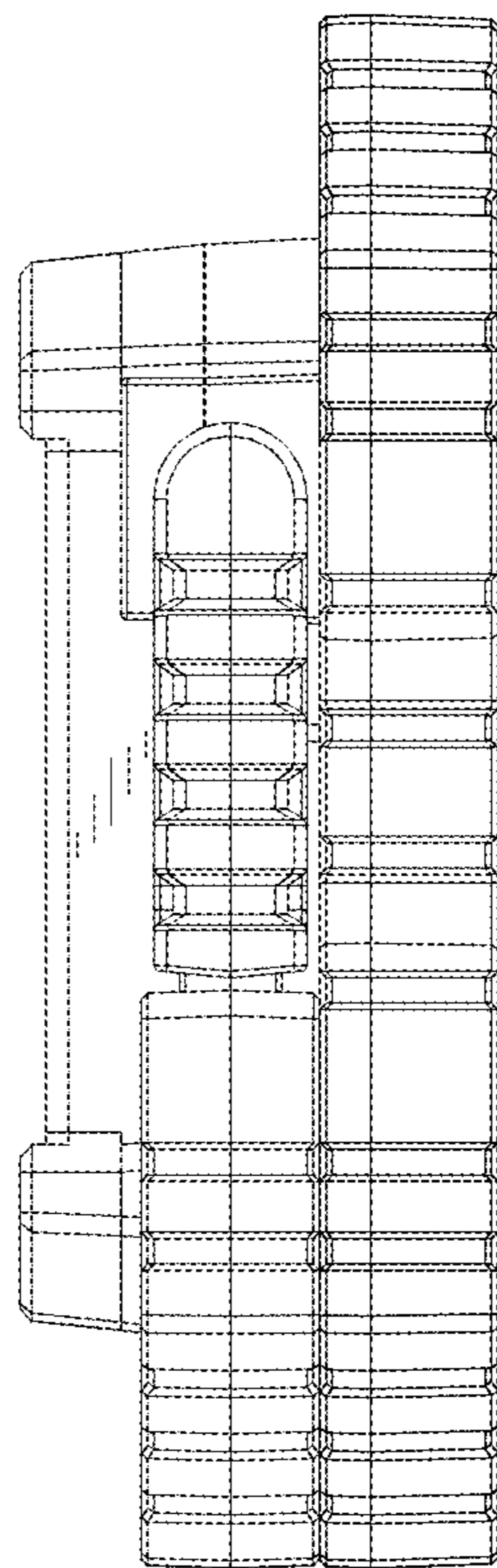


FIG.3

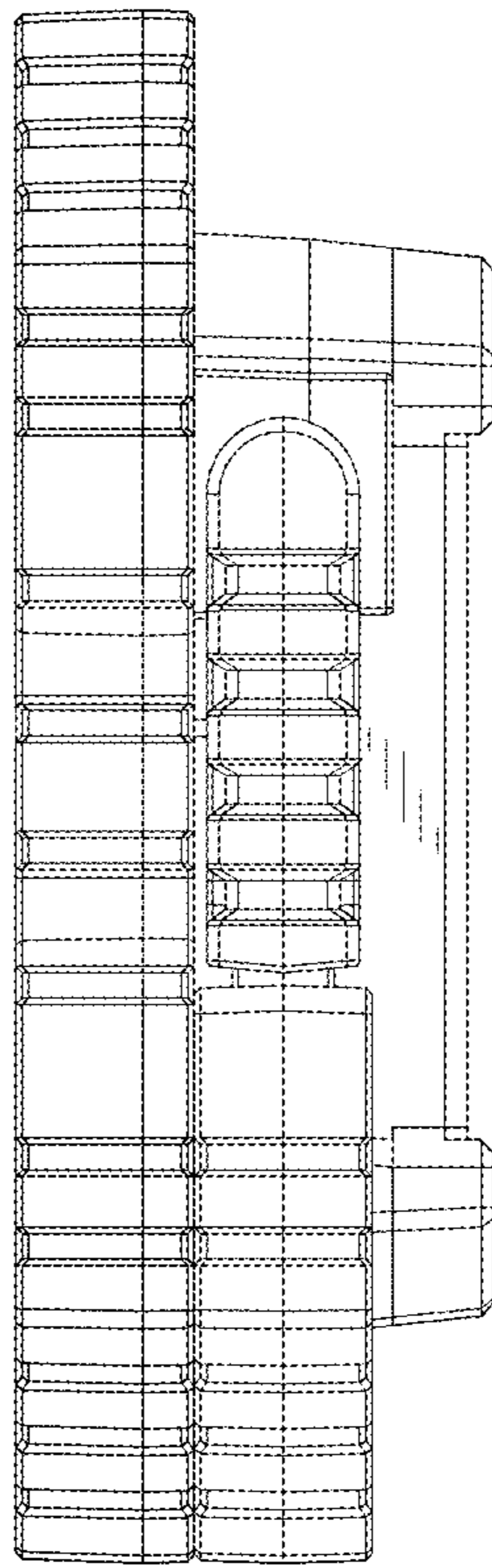


FIG.4

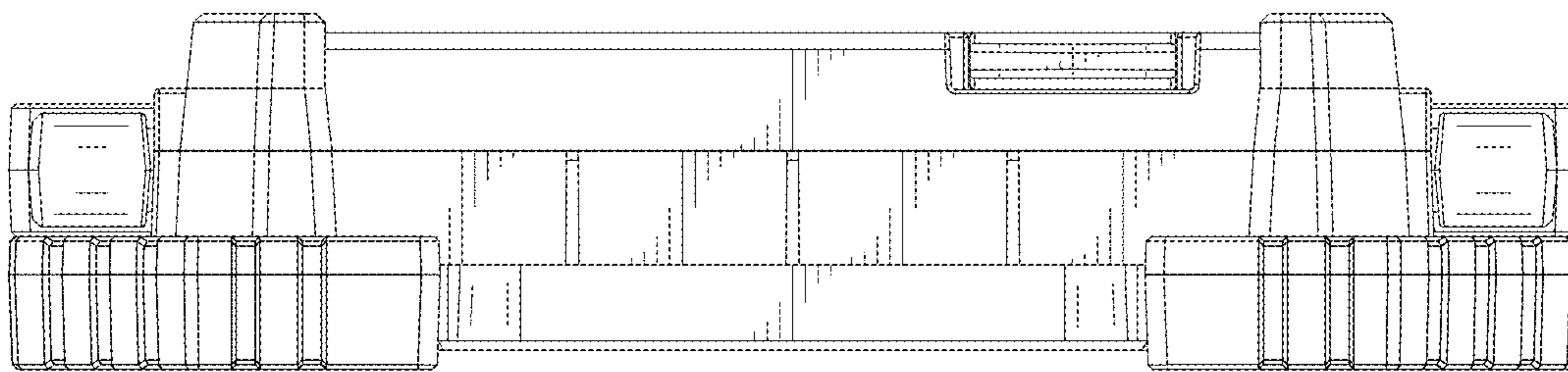


FIG.5

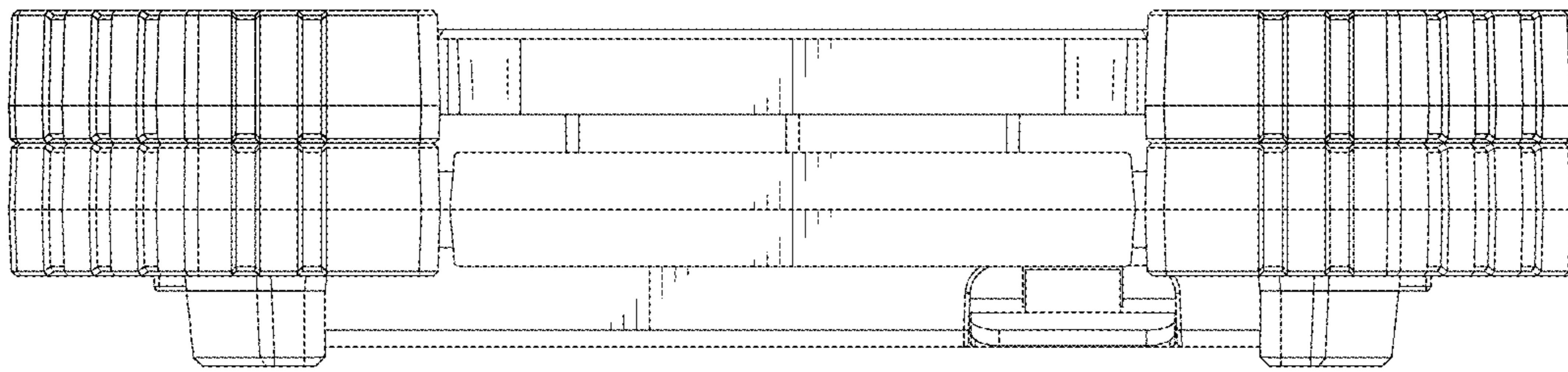


FIG.6



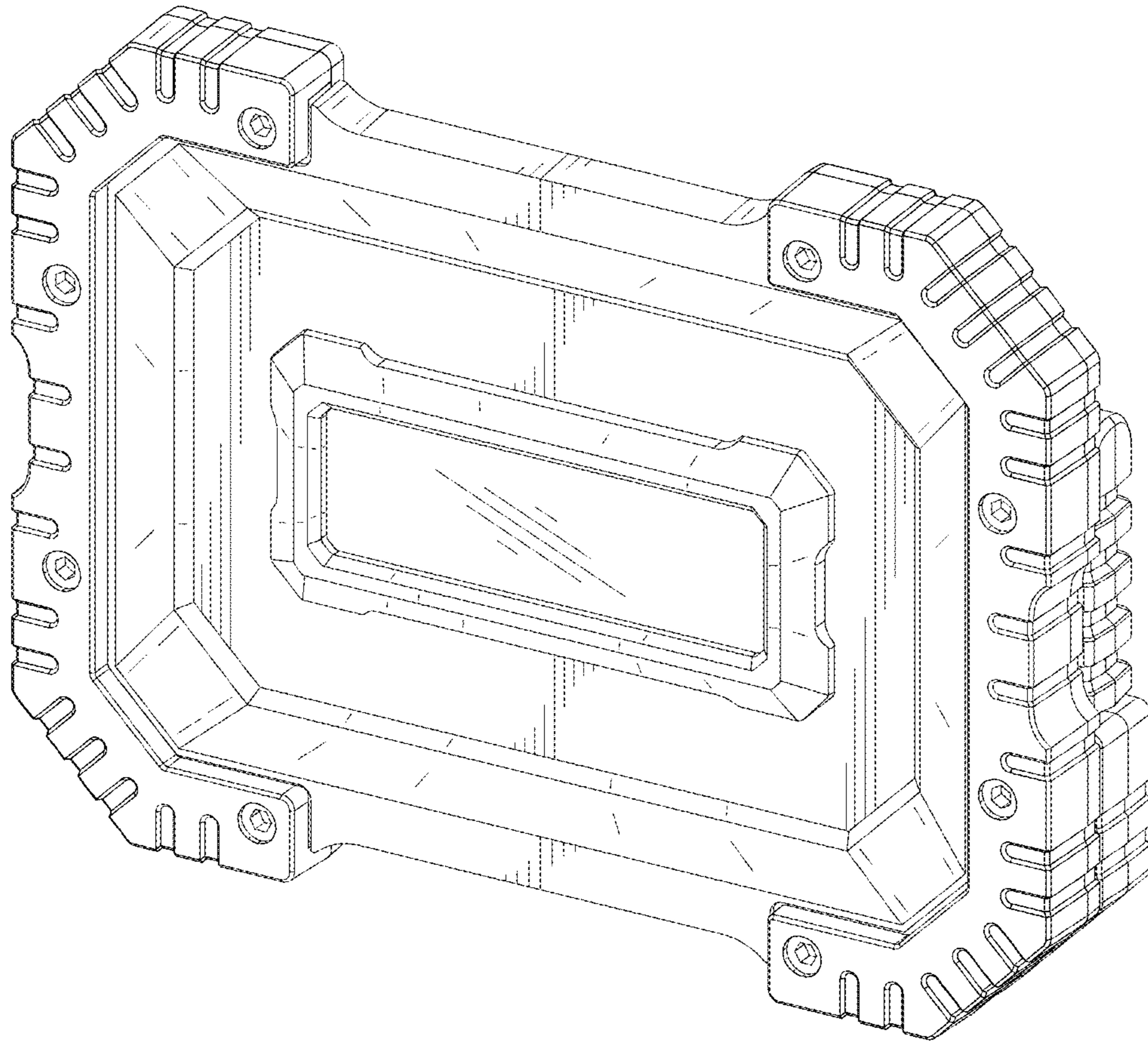


FIG.7

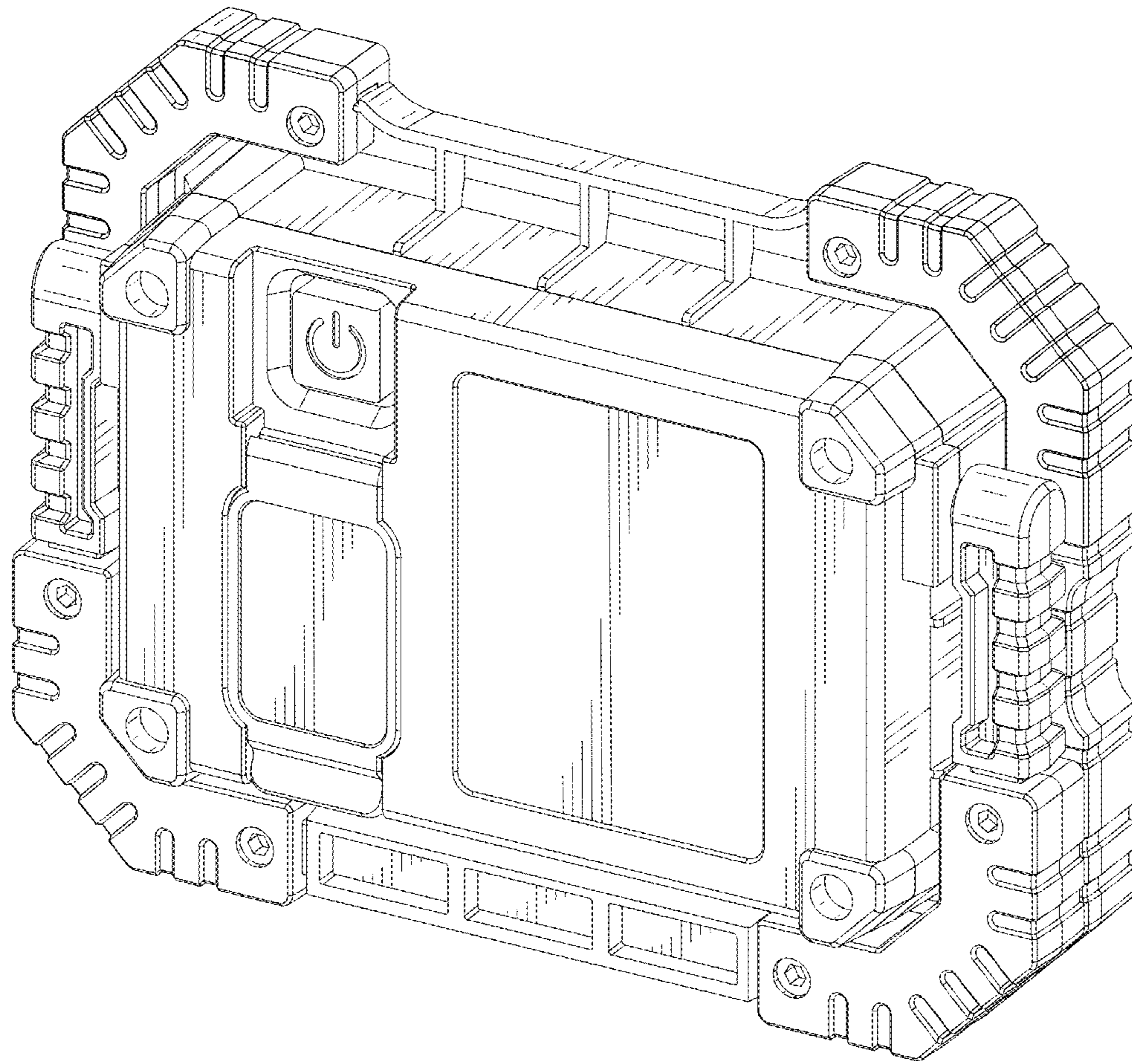


FIG.8

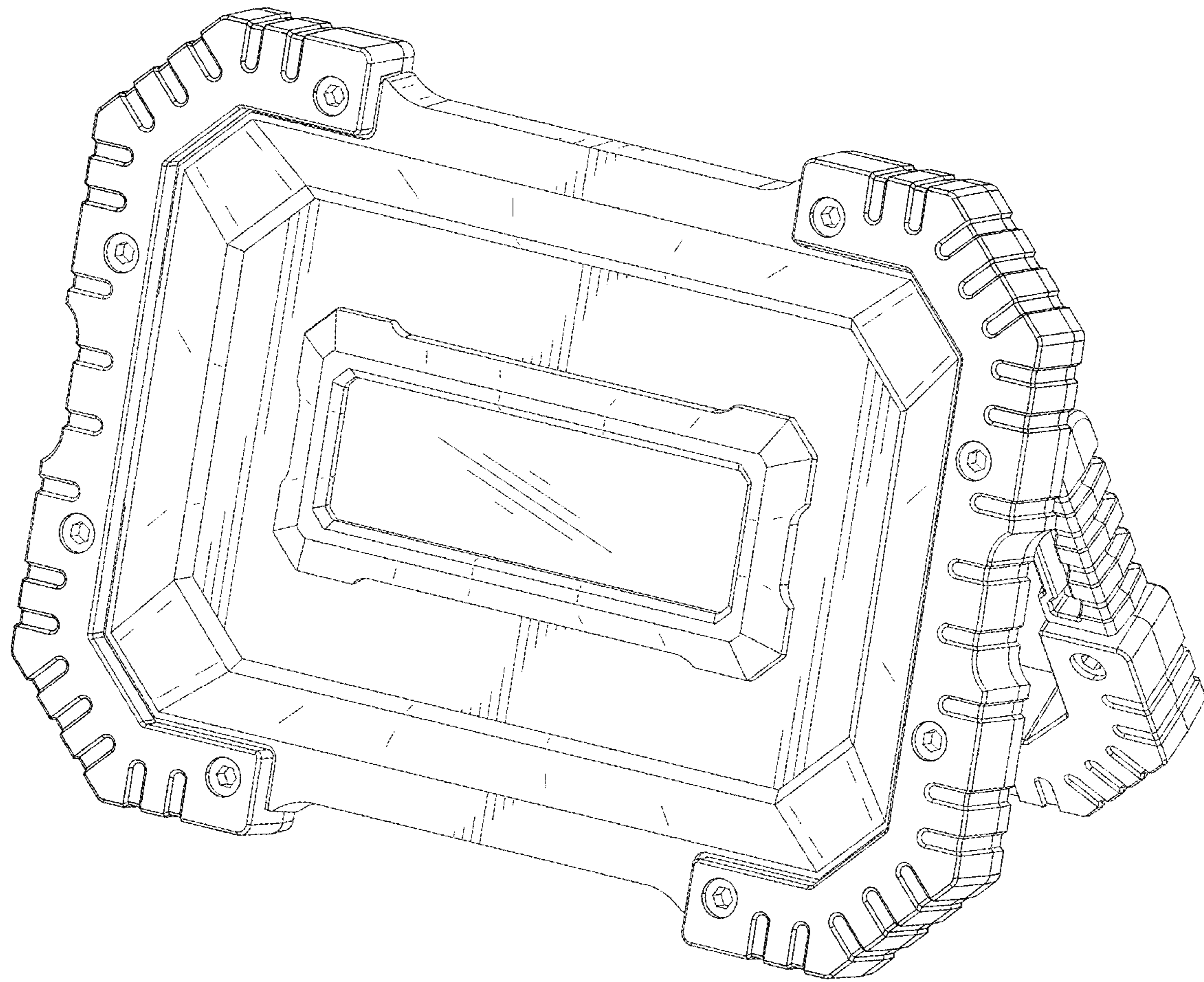


FIG.9

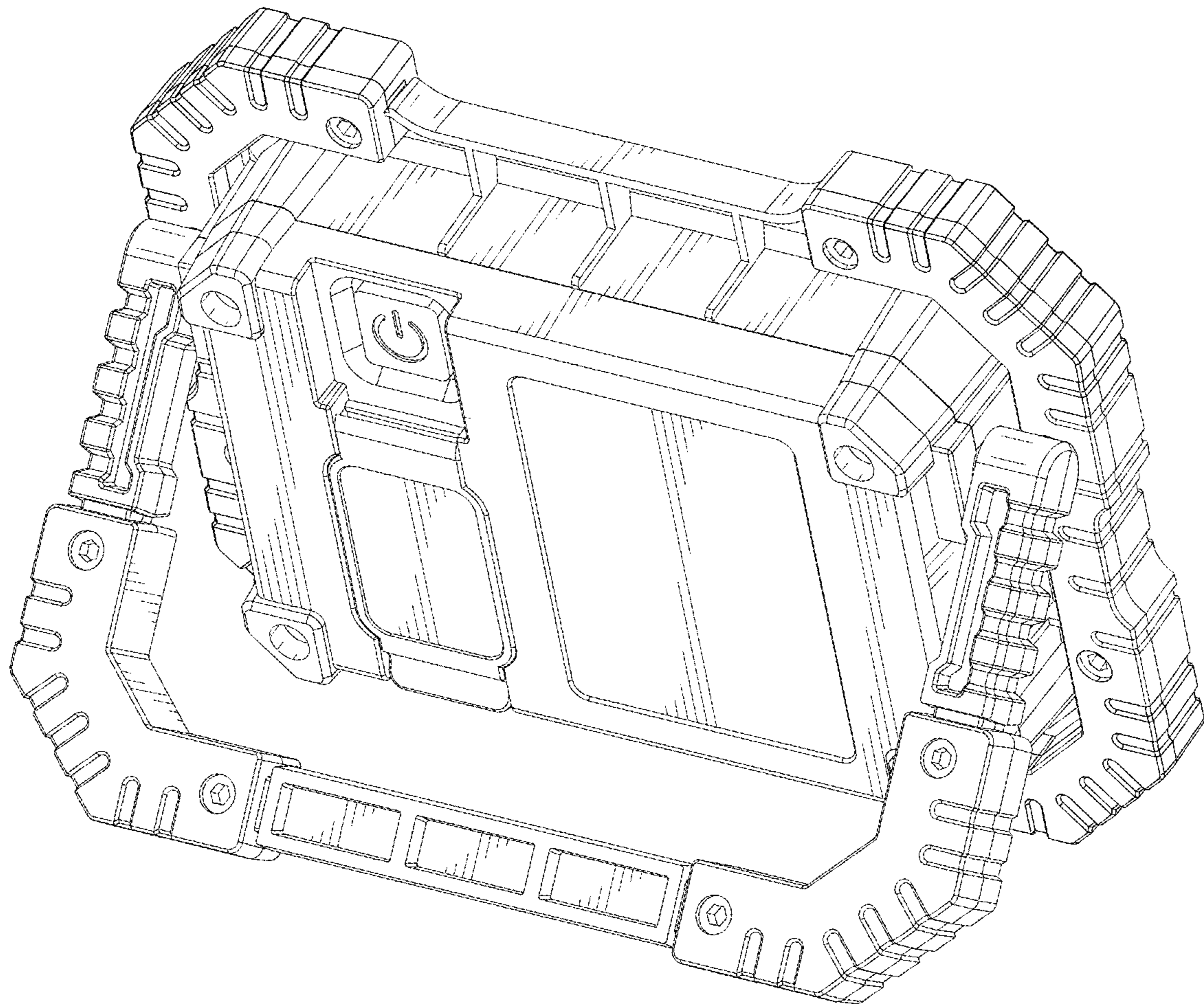


FIG.10

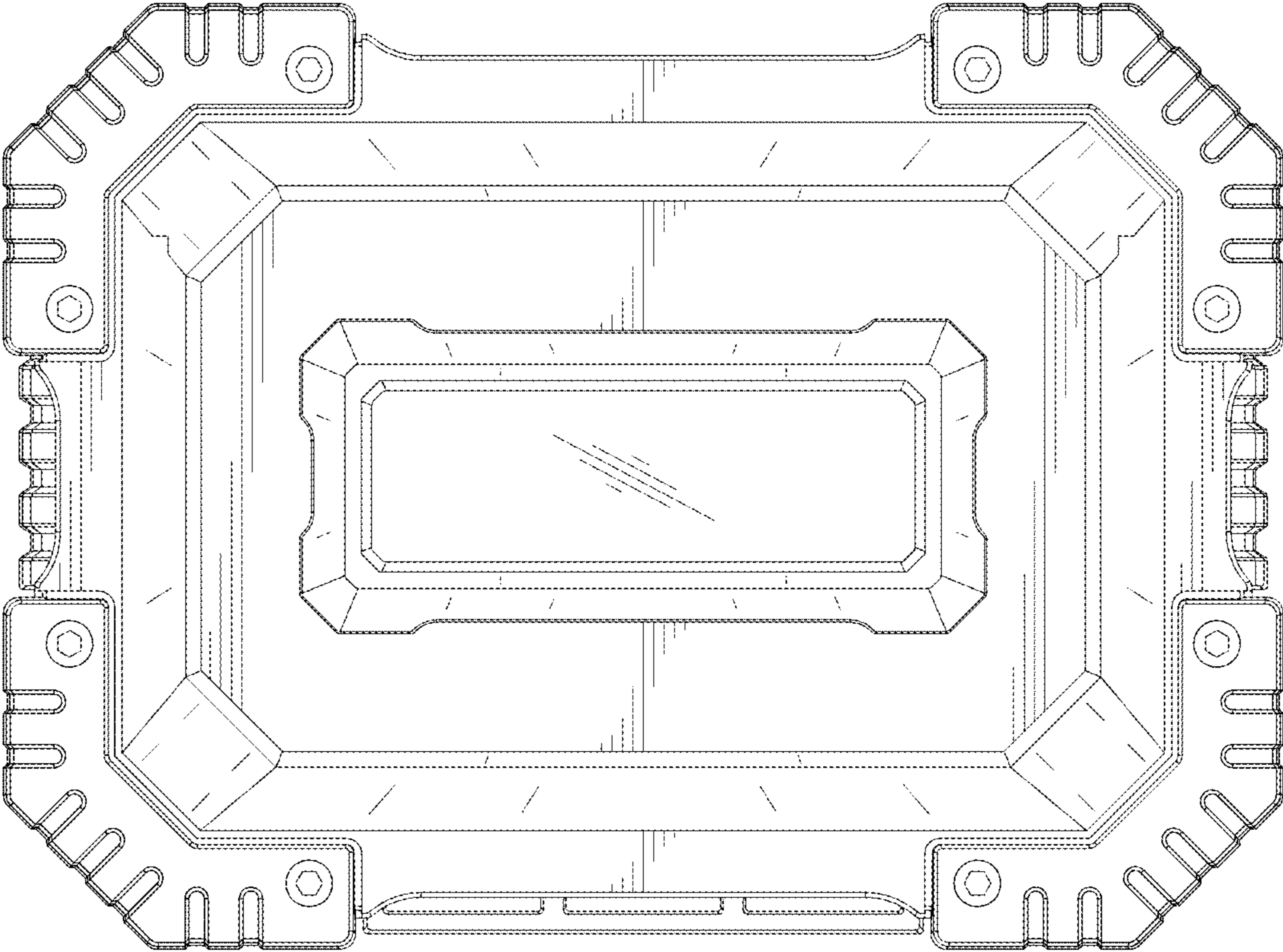


FIG.11

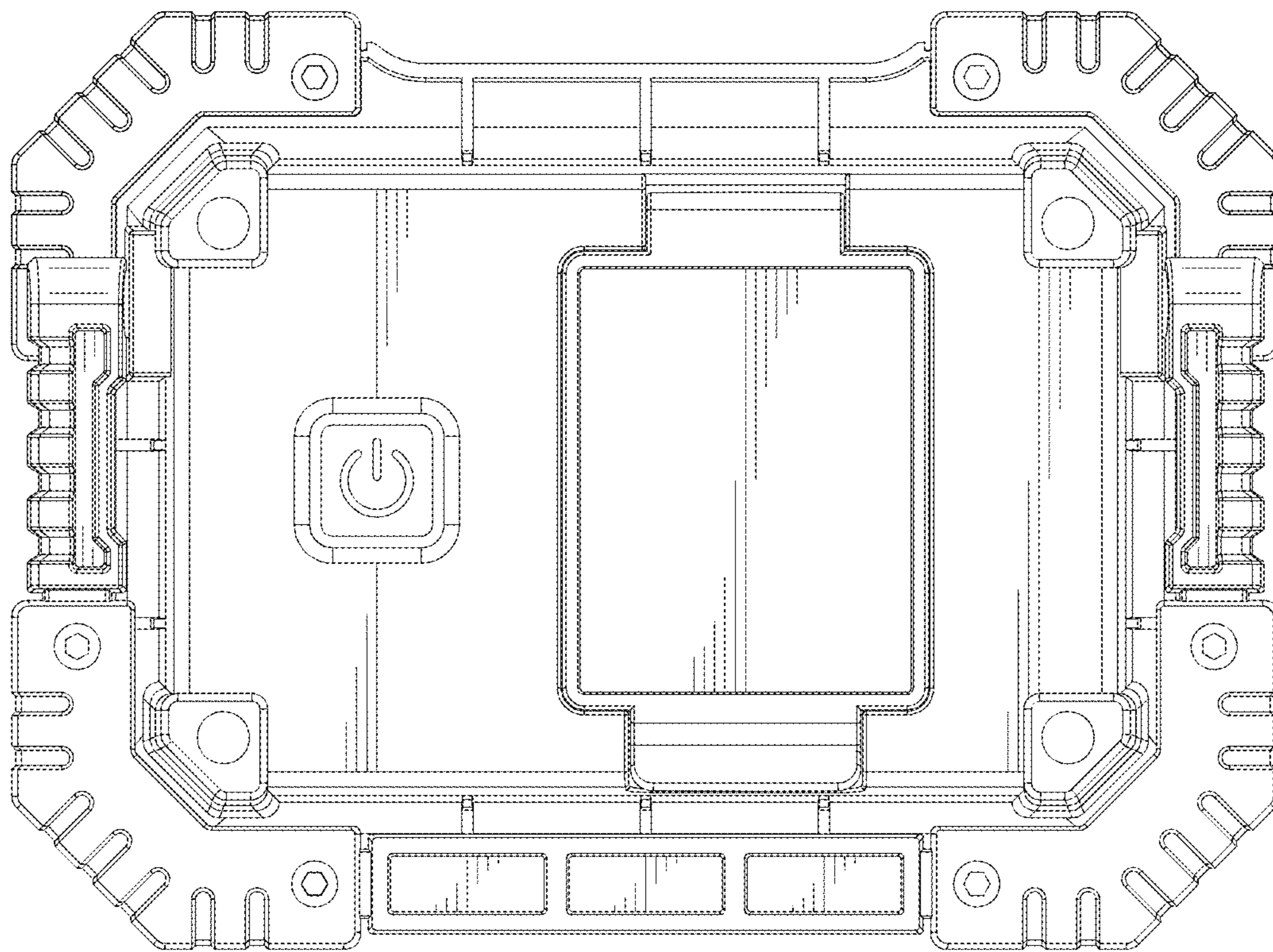


FIG.12

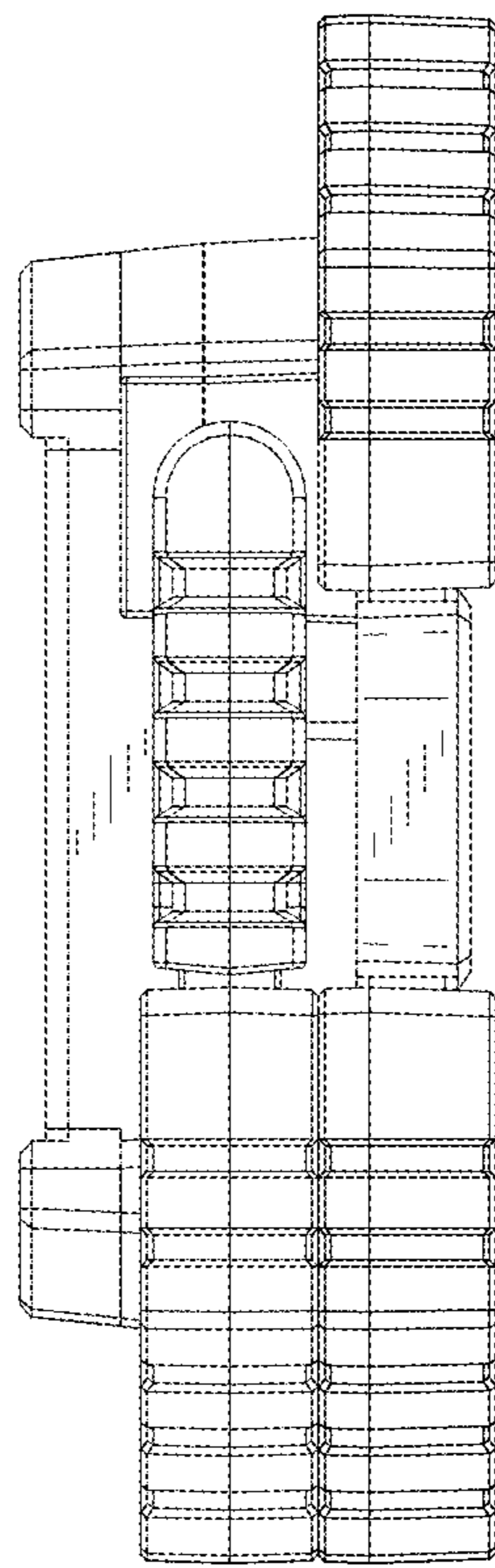


FIG.13

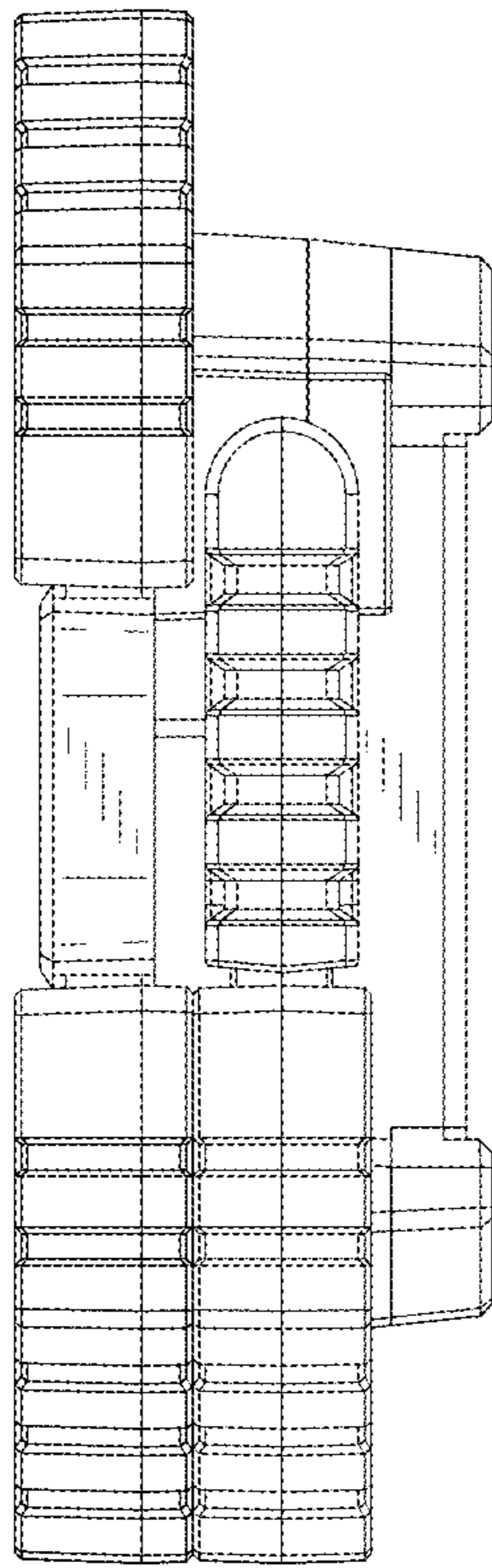


FIG.14



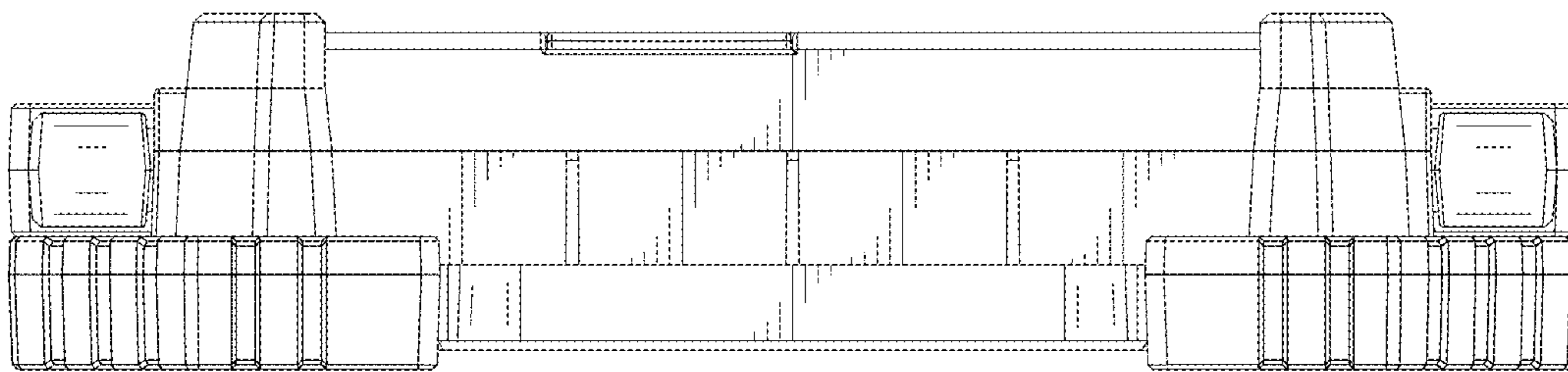


FIG.15

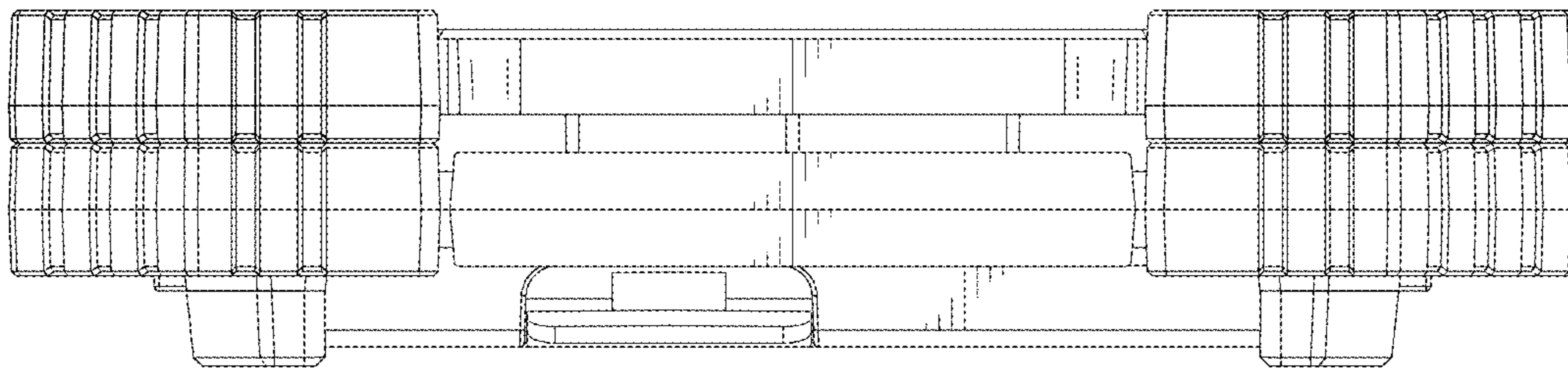


FIG.16

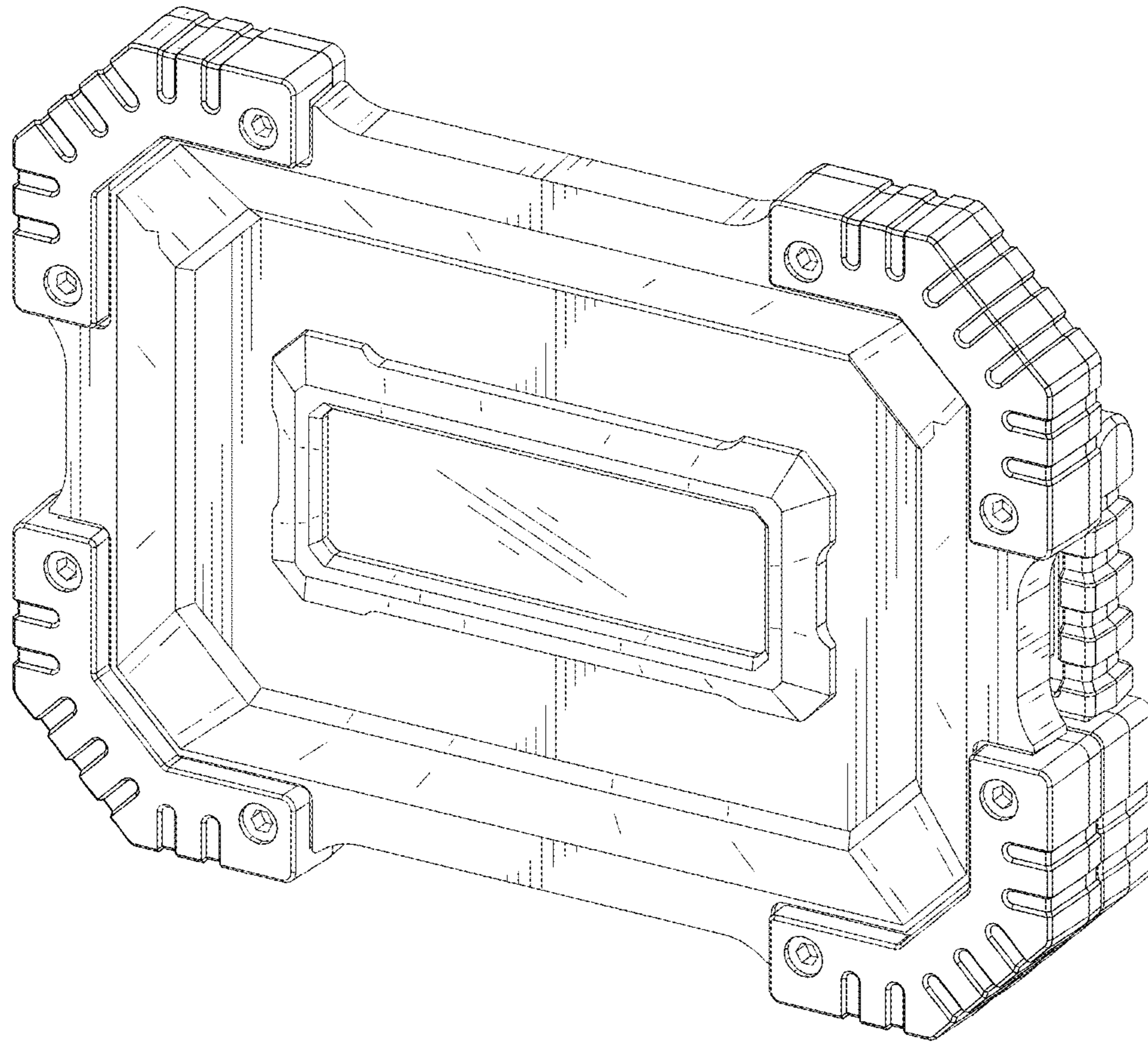


FIG.17

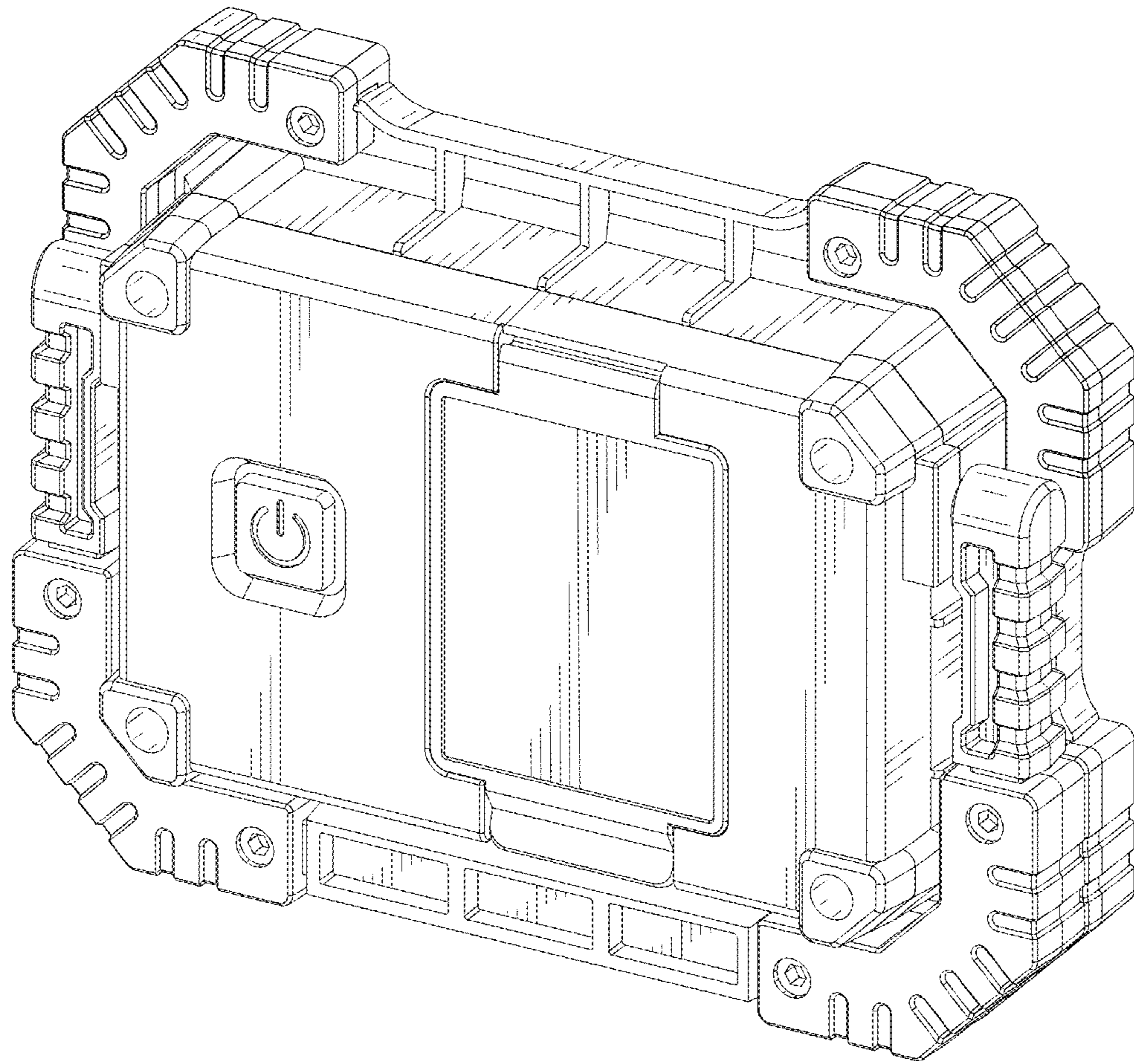


FIG.18

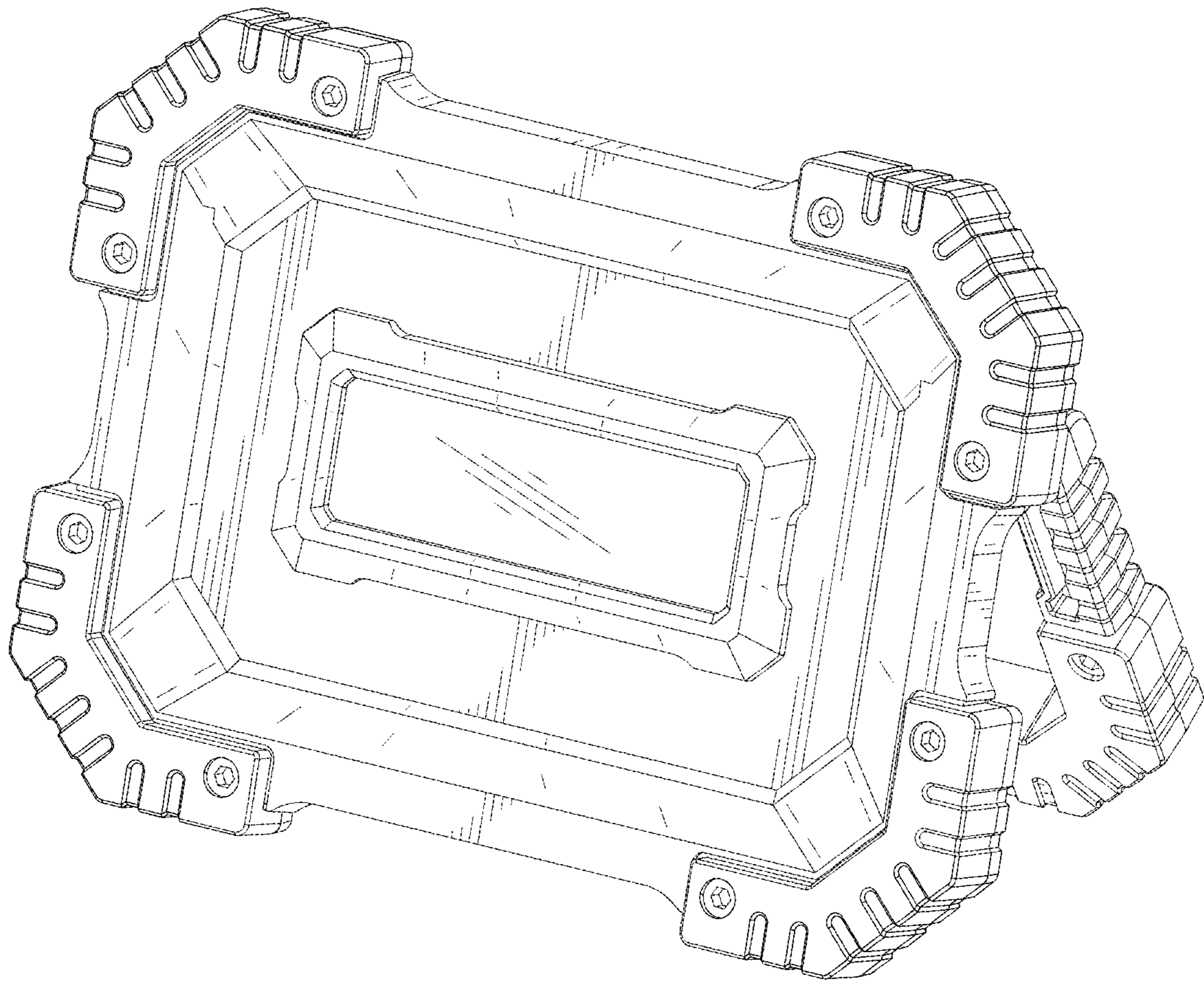


FIG.19

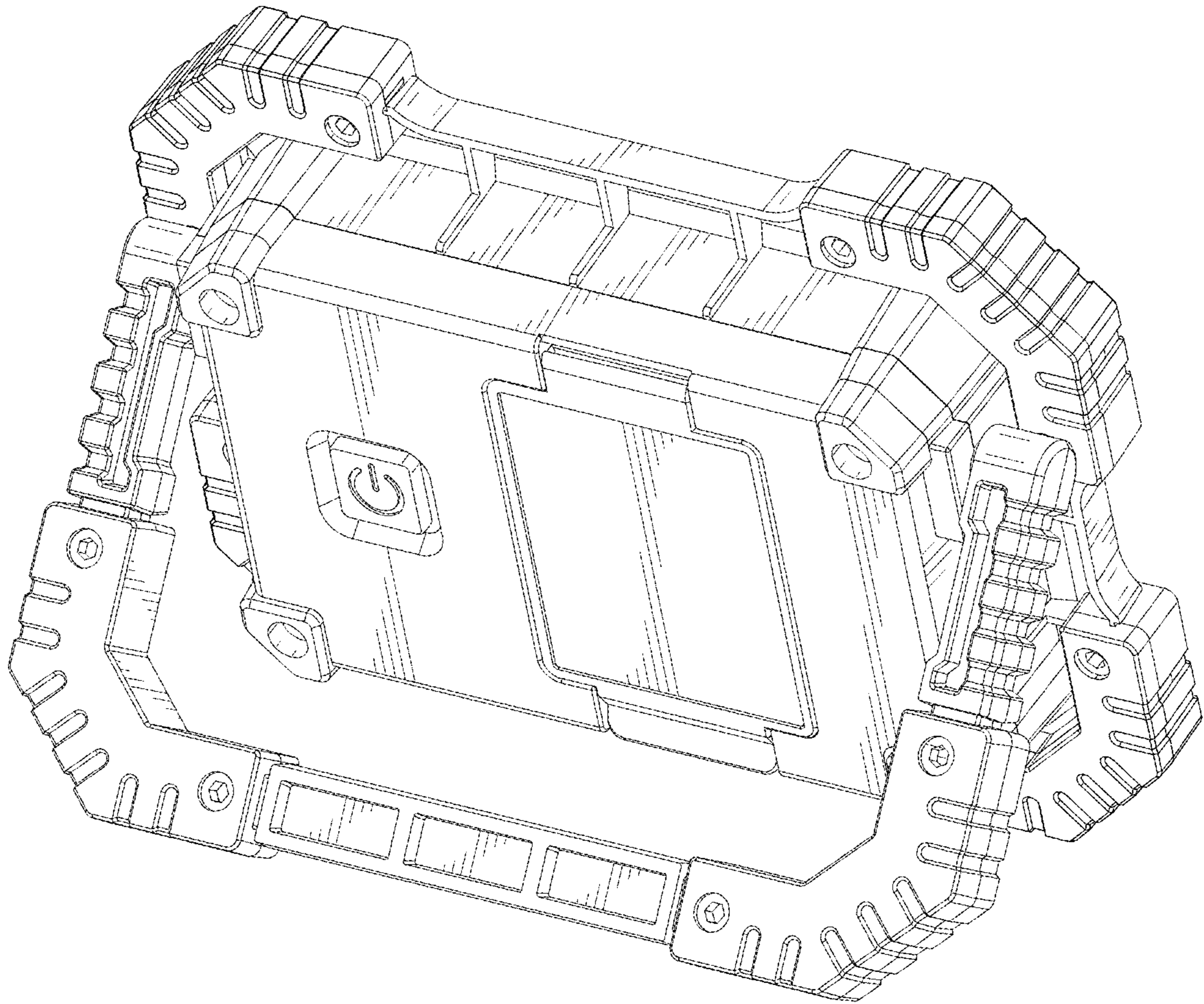


FIG.20