



US00D880035S

(12) **United States Design Patent** (10) **Patent No.:** **US D880,035 S**  
**Gordin et al.** (45) **Date of Patent:** **\*\* \*Mar. 31, 2020**

(54) **ADJUSTABLE LIGHTING FIXTURE WITH WRAPAROUND VISOR**

(71) Applicant: **Musco Corporation**, Oskaloosa, IA (US)  
(72) Inventors: **Myron Gordin**, Oskaloosa, IA (US); **Joel D. DeBoef**, New Sharon, IA (US); **Steven T. Heaton**, Oskaloosa, IA (US); **Kenneth G. Lewis, Jr.**, New Sharon, IA (US); **Chris P. Lickiss**, Newton, IA (US); **Luke C. McKee**, Oskaloosa, IA (US)

(73) Assignee: **Musco Corporation**, Oskaloosa, IA (US)

(\* ) Notice: This patent is subject to a terminal disclaimer.

(\*\*) Term: **15 Years**

(21) Appl. No.: **29/663,932**

(22) Filed: **Sep. 20, 2018**

(51) **LOC (12) Cl.** ..... **26-05**

(52) **U.S. Cl.**  
USPC ..... **D26/63**

(58) **Field of Classification Search**  
USPC ..... D26/24, 28, 61-68, 72, 77, 85, 87, 92, D26/118-120  
CPC .. F21S 8/003; F21S 8/085; F21S 8/086; F21S 8/088; F21V 15/00; F21V 15/01; F21V 21/22; F21V 21/30; F21V 21/116; F21V 11/04; F21V 11/14; F21W 2131/10; F21W 2131/20; F21W 2131/40; F21W 2131/101; F21W 2131/103; F21W 2131/105; F21W 2131/107; F21W 2131/208; F21W 2131/402; F21W 2131/406; F21W 2131/407; F21W 2131/1005

See application file for complete search history.

(56) **References Cited**

U.S. PATENT DOCUMENTS

D411,025 S \* 6/1999 Rahn ..... D26/63  
D447,590 S \* 9/2001 Raouf ..... D26/71  
6,467,928 B2 \* 10/2002 Crelin ..... F21S 8/033  
362/147  
D472,339 S \* 3/2003 Russello ..... D26/63  
D695,949 S 12/2013 Gordin et al.  
D695,952 S 12/2013 Gordin et al.

(Continued)

OTHER PUBLICATIONS

Gordin, Myron et al., unpublished Pending Design U.S. Appl. No. 29/637,422, Adjustable Lighting Fixture With Wraparound Visor, filed Feb. 19, 2018.

(Continued)

*Primary Examiner* — Wan Laymon

*Assistant Examiner* — Clint A Samuel

(74) *Attorney, Agent, or Firm* — Jessica R. Boer

(57) **CLAIM**

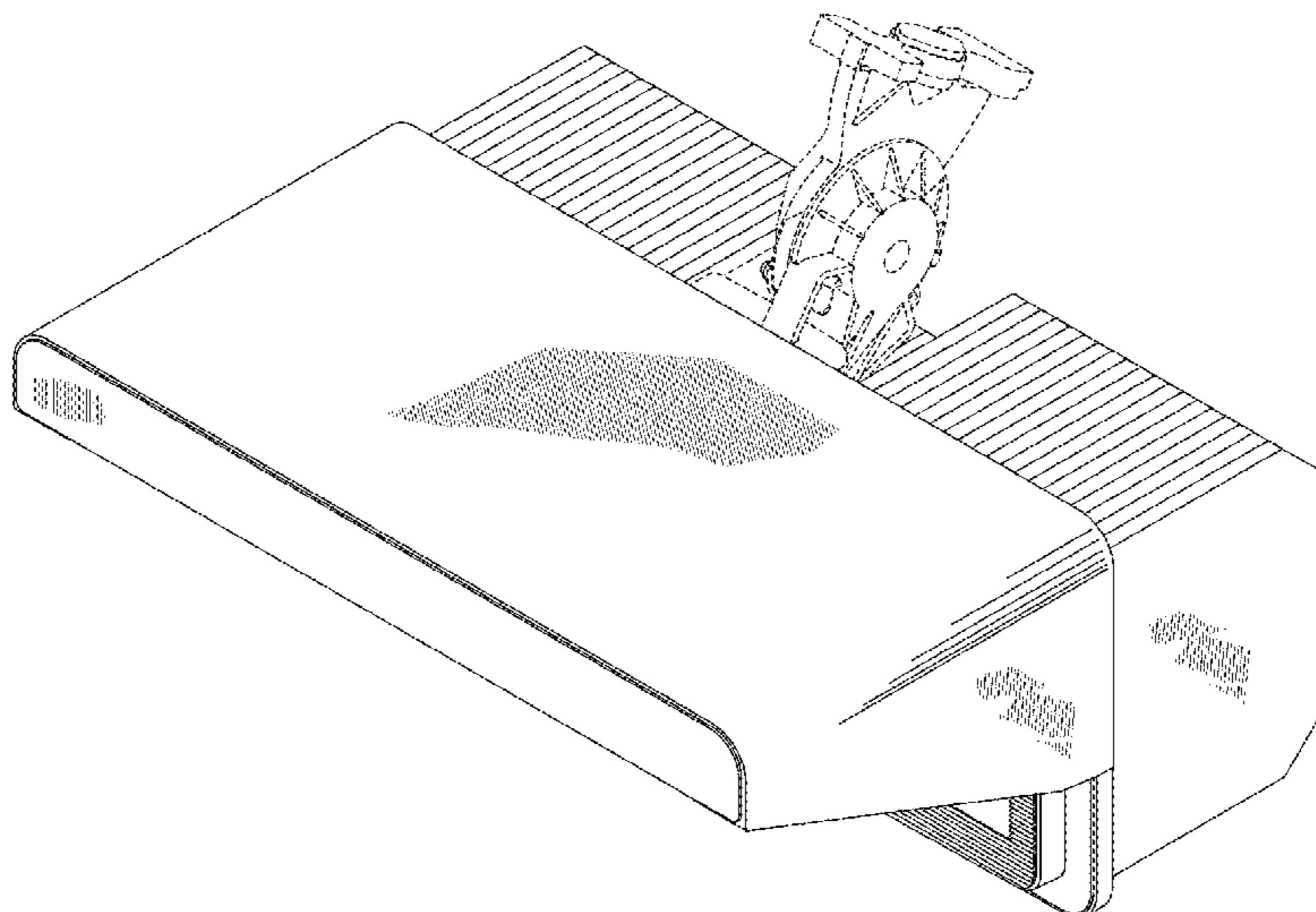
The ornamental design for an adjustable lighting fixture with wraparound visor, as shown and described.

**DESCRIPTION**

FIG. 1 is a top front perspective view of the claimed design; FIG. 2 is a bottom front perspective view of the design; FIG. 3 is a front elevation of FIG. 1; FIG. 4 is a back elevation of FIG. 1; FIG. 5 is a right side elevation of FIG. 1; FIG. 6 is a left side elevation of FIG. 1; FIG. 7 is a top plan view of FIG. 1; and, FIG. 8 is a bottom plan view of FIG. 1.

The broken lines shown in the drawings illustrate unclaimed portions of or environmental structure related to the adjustable lighting fixture with wraparound visor, and form no part of the claimed design.

**1 Claim, 8 Drawing Sheets**



(56)

**References Cited**

U.S. PATENT DOCUMENTS

D734,532	S	7/2015	Gordin et al.	
D743,602	S	11/2015	Gordin et al.	
D749,767	S *	2/2016	Jin .....	D26/63
D771,854	S	11/2016	Gordin et al.	
D782,720	S *	3/2017	Moghal .....	D26/67
D790,107	S *	6/2017	Wilmotte .....	D26/92
D808,052	S	1/2018	Gordin et al.	
D808,053	S	1/2018	Gordin et al.	
9,964,267	B1 *	5/2018	Van Ee .....	F21S 8/086
D833,662	S *	11/2018	Gordin .....	D26/63
D841,854	S *	2/2019	Gordin .....	D26/63
D841,855	S *	2/2019	Gordin .....	D26/63
D841,856	S *	2/2019	Gordin .....	D26/63
10,215,378	B2 *	2/2019	Kinnune .....	F21V 21/00
D843,040	S *	3/2019	Xiang .....	D26/63
D846,171	S *	4/2019	Zhu .....	D26/63
2017/0138579	A1 *	5/2017	Kuti .....	F21V 15/01
2017/0307149	A1 *	10/2017	Clark .....	F21V 29/76
2019/0178485	A1 *	6/2019	Ladewig .....	F21S 2/00

OTHER PUBLICATIONS

Gordin, Myron et al., unpublished Pending Design U.S. Appl. No. 29/637,423, Adjustable Lighting Fixture With Wraparound Visor, filed Feb. 19, 2018.

Gordin, Myron et al., unpublished Pending Design U.S. Appl. No. 29/637,425, Adjustable Lighting Fixture With Wraparound Visor, filed Feb. 19, 2018.

Gordin, Myron et al., unpublished Pending Design U.S. Appl. No. 29/637,504, Adjustable Lighting Fixture With Wraparound Visor, filed Feb. 19, 2018.

Gordin, Myron et al., unpublished Pending Design U.S. Appl. No. 29/637,505, Adjustable Lighting Fixture With Wraparound Visor, filed Feb. 19, 2018.

Gordin, Myron et al., unpublished Pending Design U.S. Appl. No. 29/637,508, Adjustable Lighting Fixture With Wraparound Visor, filed Feb. 19, 2018.

Gordin, Myron et al., unpublished Pending Design U.S. Appl. No. 29/627,868, Adjustable Lighting Fixture, filed Nov. 30, 2017.

Gordin, Myron et al., unpublished Pending Design U.S. Appl. No. 29/627,873, Adjustable Lighting Fixture, filed Nov. 30, 2017.

Gordin, Myron et al., unpublished Pending Design U.S. Appl. No. 29/627,901, Adjustable Lighting Fixture, filed Nov. 30, 2017.

Gordin, Myron et al., unpublished Pending Non-Provisional U.S. Appl. No. 15/826,772, Apparatus, Method, and System for Cost-Effective Lighting System Retrofits Including LED Luminaires.

Gordin, Myron et al., unpublished Pending Non-Provisional U.S. Appl. No. 16/000,567, Apparatus, Method, and System for Precise LED Lighting.

\* cited by examiner

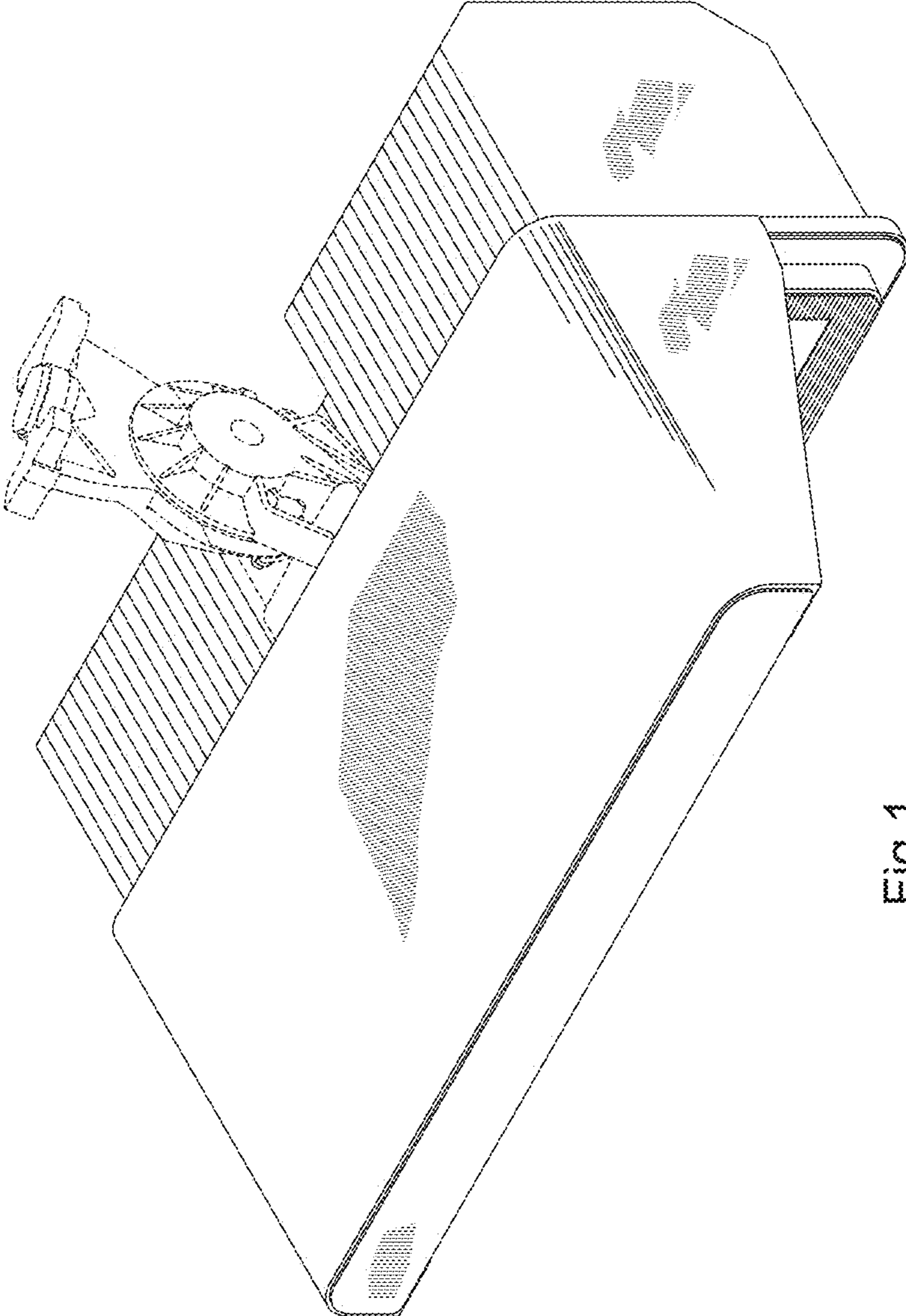


FIG 1

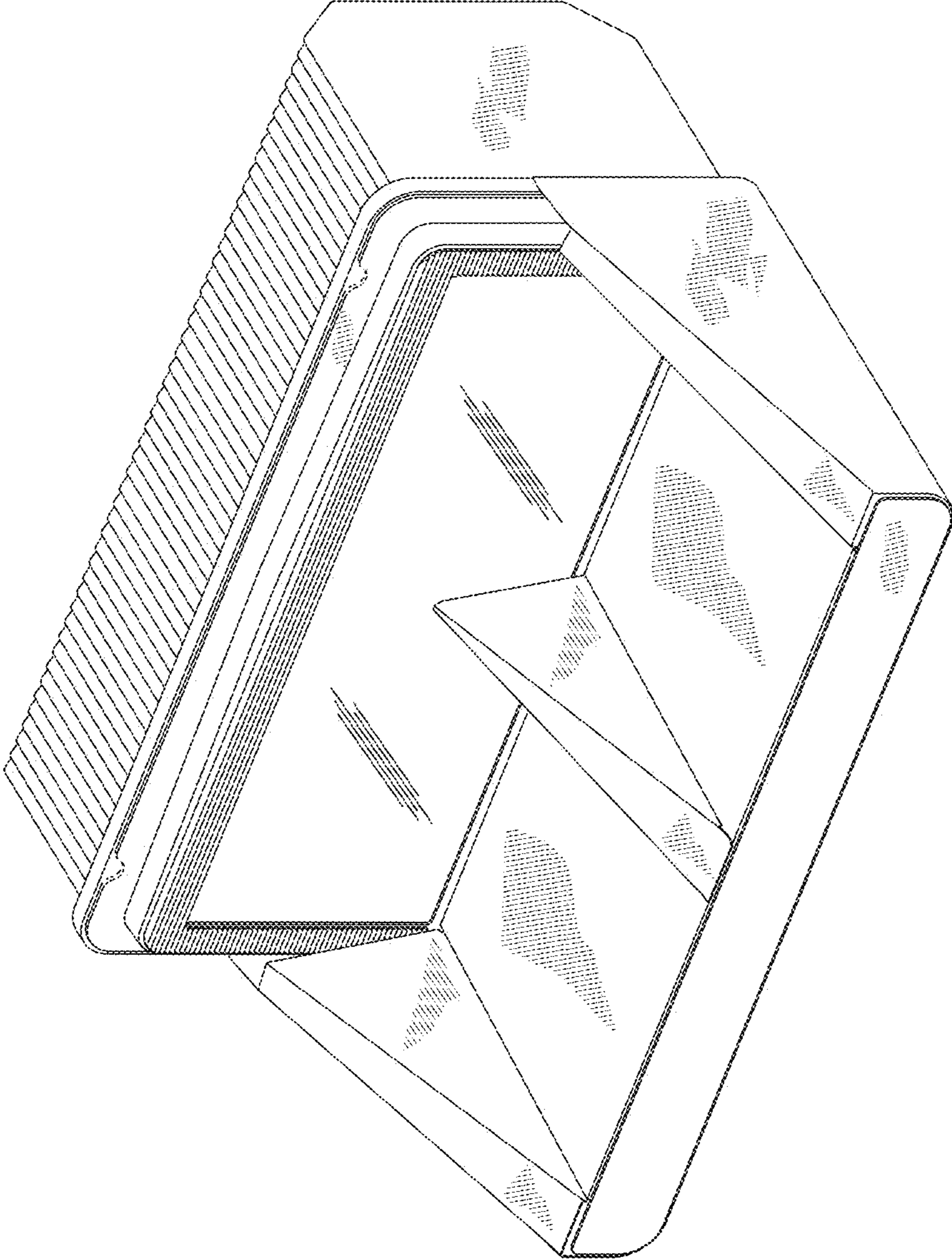


FIG 2

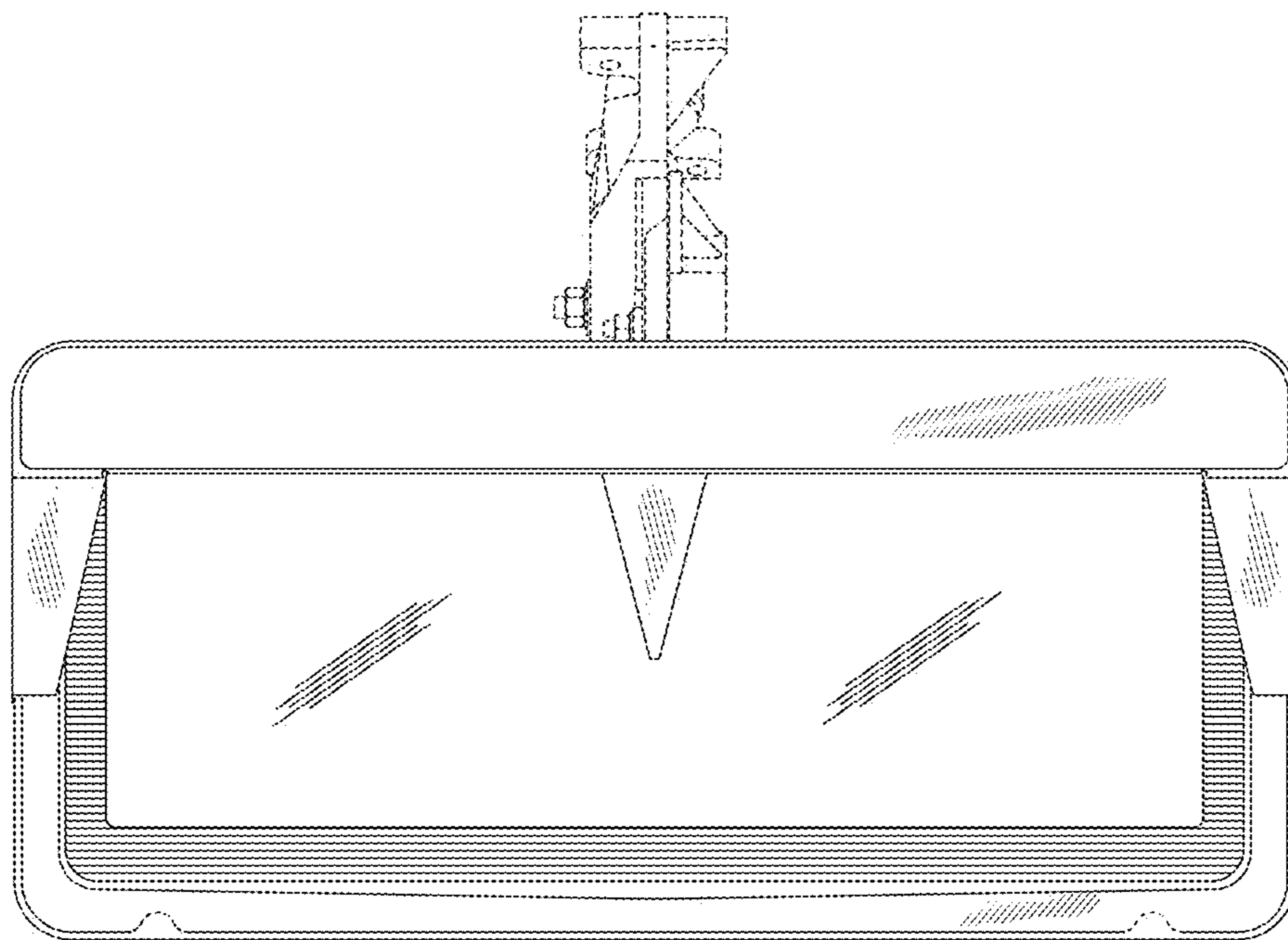


Fig 3

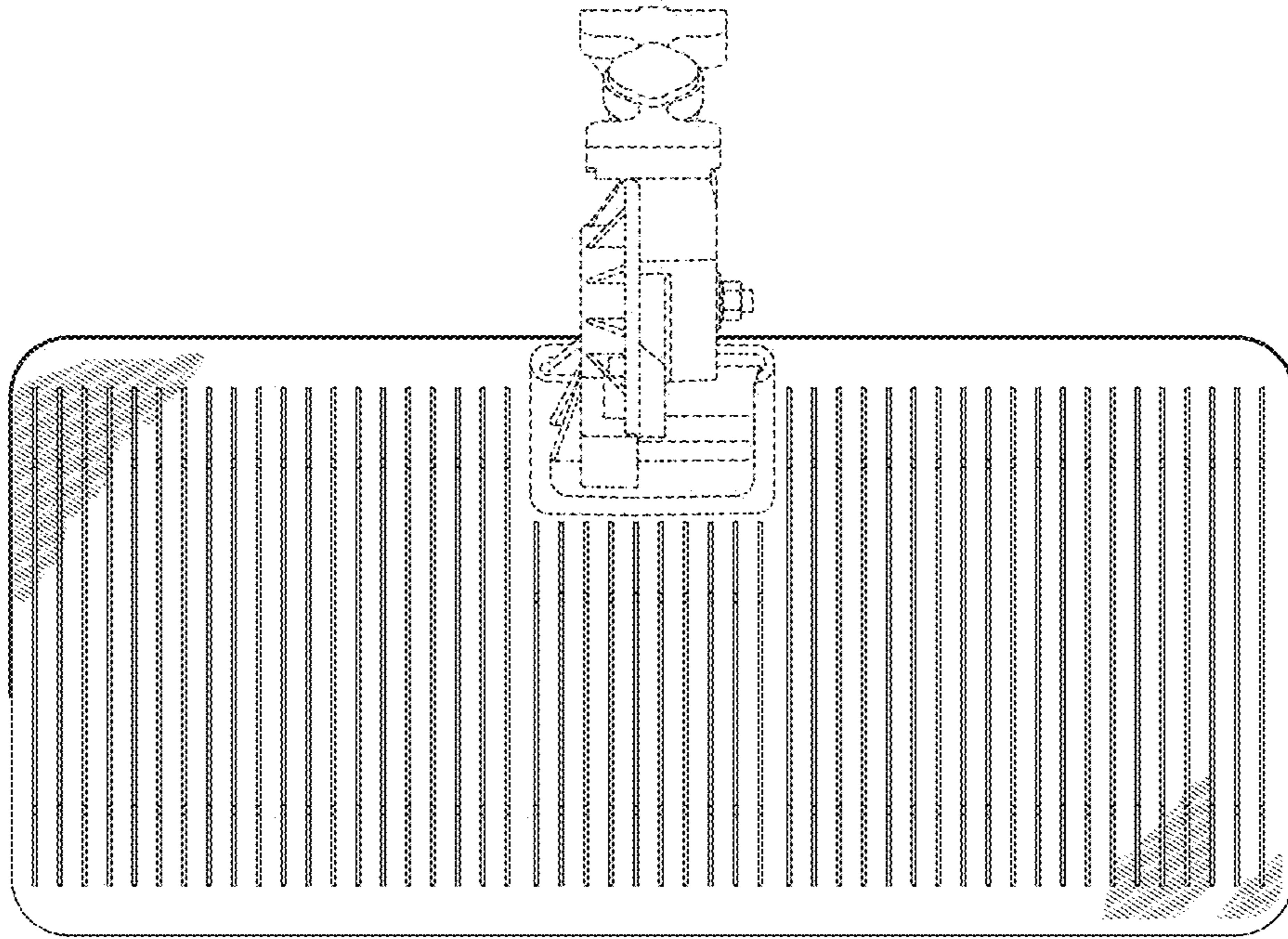


Fig 4

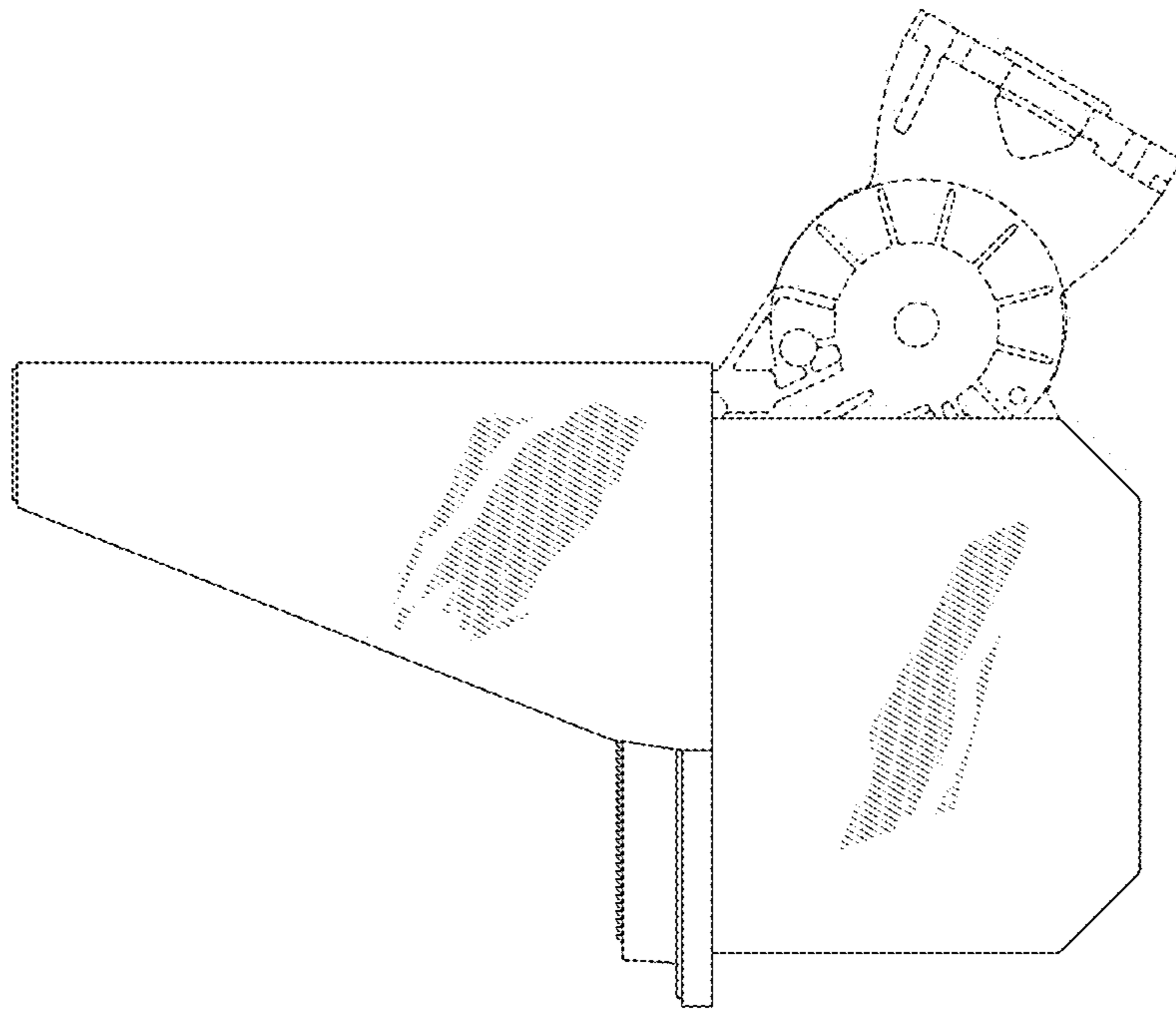


Fig 5

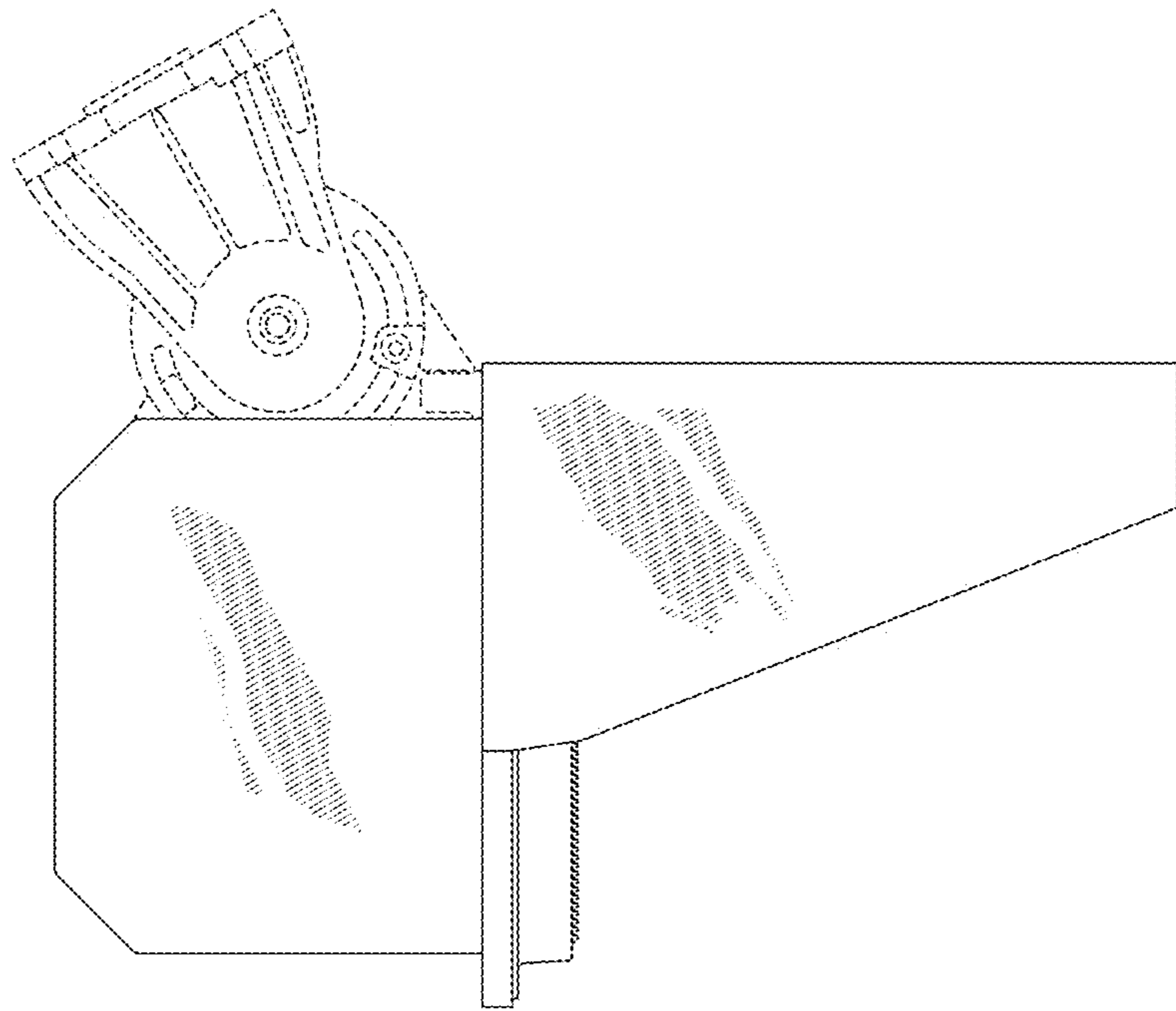


Fig 6



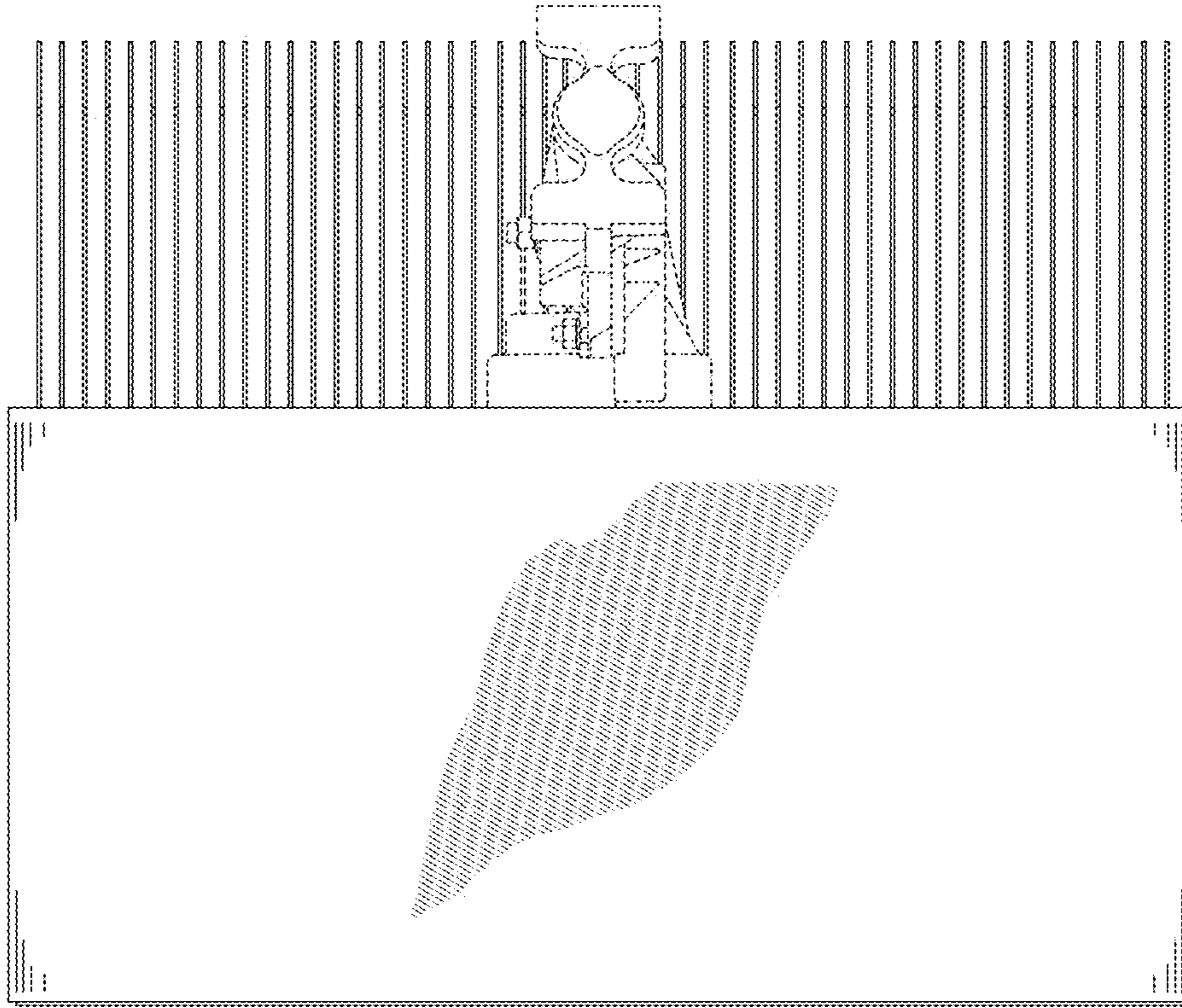


Fig 7

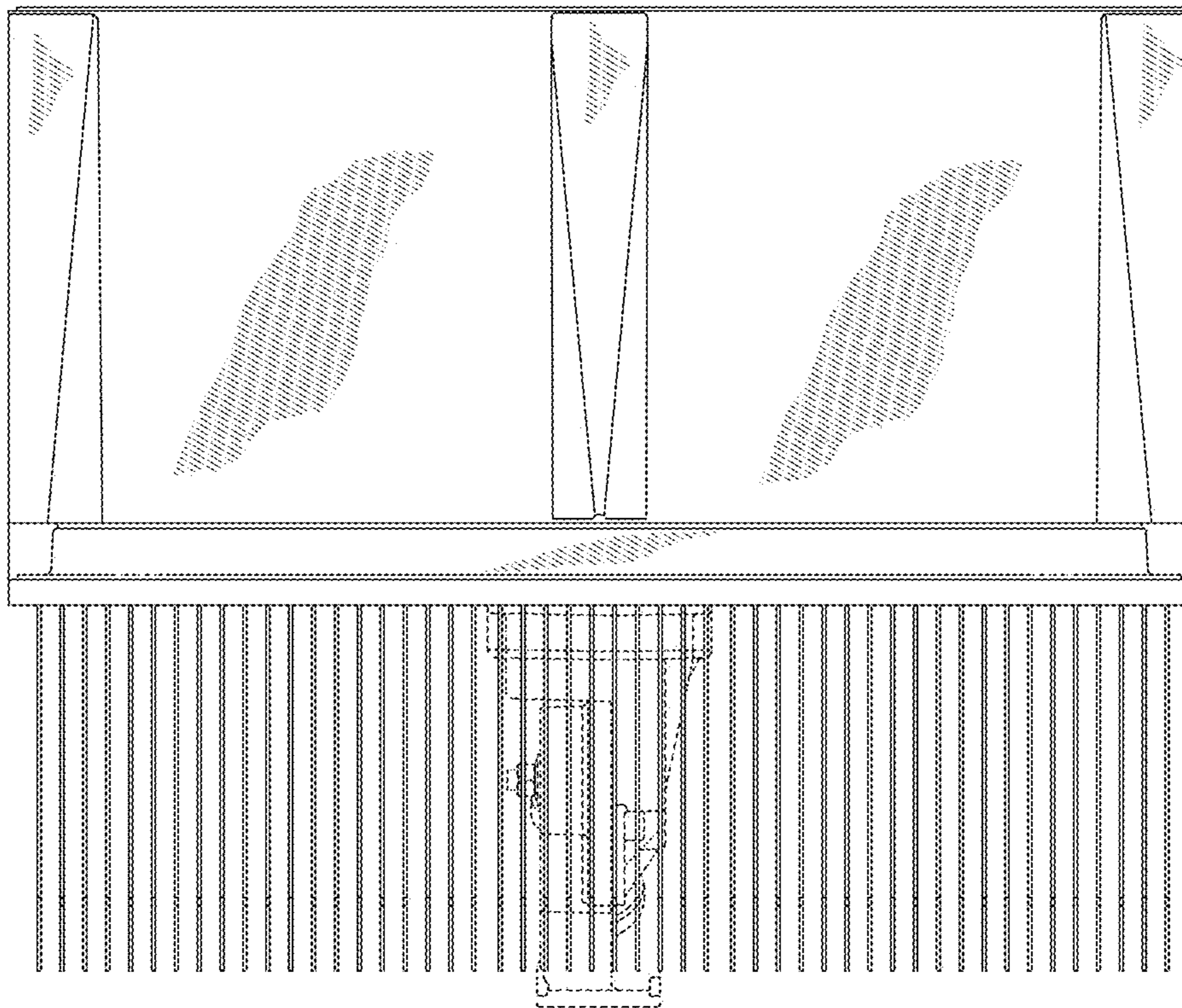


Fig 8