



US00D880034S

(12) **United States Design Patent**
Holmes

(10) **Patent No.:** **US D880,034 S**

(45) **Date of Patent:** **** Mar. 31, 2020**

- (54) **CEILING FAN LIGHT KIT**
- (71) Applicant: **HUNTER FAN COMPANY**,
Memphis, TN (US)
- (72) Inventor: **Christine Holmes**, Memphis, TN (US)
- (73) Assignee: **Hunter Fan Company**, Memphis, TN
(US)

- D451,191 S 11/2001 Goodman
- D462,756 S 9/2002 Liu
- D464,722 S 10/2002 Sonneman
- D476,406 S 6/2003 Friedes
- D476,411 S 6/2003 Friedes
- D510,622 S 10/2005 Tai
- D514,695 S 2/2006 Badarello
- D516,200 S 2/2006 Pickett
- D517,197 S 3/2006 Pickett
- D517,675 S 3/2006 Young

(Continued)

(**) Term: **15 Years**

(21) Appl. No.: **29/644,200**

(22) Filed: **Apr. 16, 2018**

Related U.S. Application Data

(60) Continuation of application No. 29/619,325, filed on Sep. 28, 2017, which is a division of application No. 29/588,573, filed on Dec. 21, 2016, now Pat. No. Des. 808,002.

(51) **LOC (12) Cl.** **26-05**

(52) **U.S. Cl.**
USPC **D26/59**

(58) **Field of Classification Search**
USPC ... D26/59, 24, 118, 119, 121–124, 128–137;
D23/370, 377–382, 411–414
CPC F04D 25/088; F04D 29/38; F21V 21/03
See application file for complete search history.

(56) **References Cited**

U.S. PATENT DOCUMENTS

- D298,454 S 11/1988 Clyde-Mason
- D325,776 S 4/1992 Scofield et al.
- D345,790 S 4/1994 Caldwell
- D411,615 S 6/1999 Lo
- D428,982 S 8/2000 Oldenburg
- D430,280 S 8/2000 Huang
- D430,930 S 9/2000 Zuege
- D435,289 S 12/2000 Liu
- D449,396 S 10/2001 Campbell

OTHER PUBLICATIONS

<http://www.hunterfan.com/Ceiling-Fans/Perdido-Key?ModelNumber=59276>, Item Specification for Hunter 54" Perdido Key CAN—54" Ceiling Fan, Accessed Oct. 28, 2016.

(Continued)

Primary Examiner — Janice Hallmark

(74) *Attorney, Agent, or Firm* — McGarry Bair PC

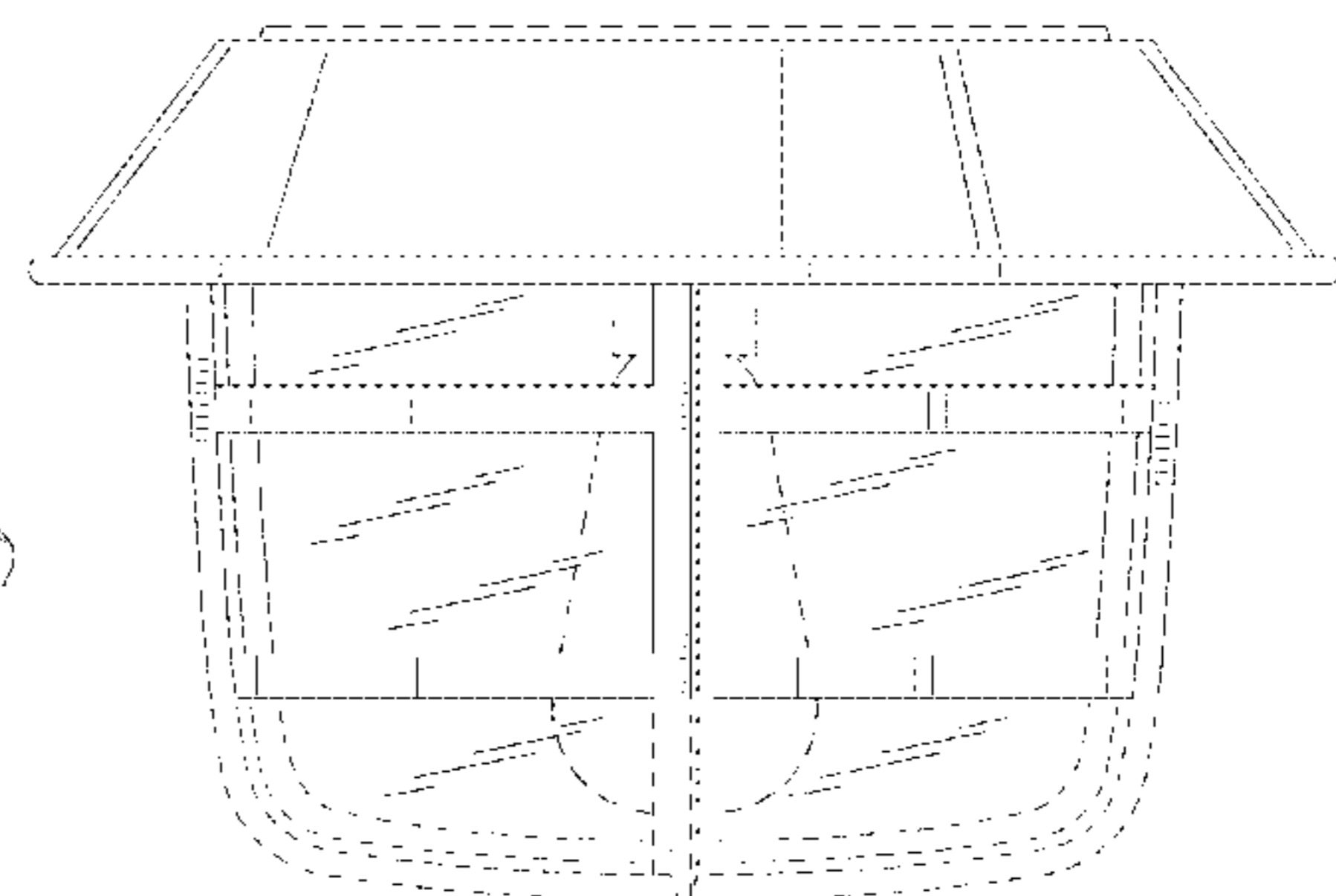
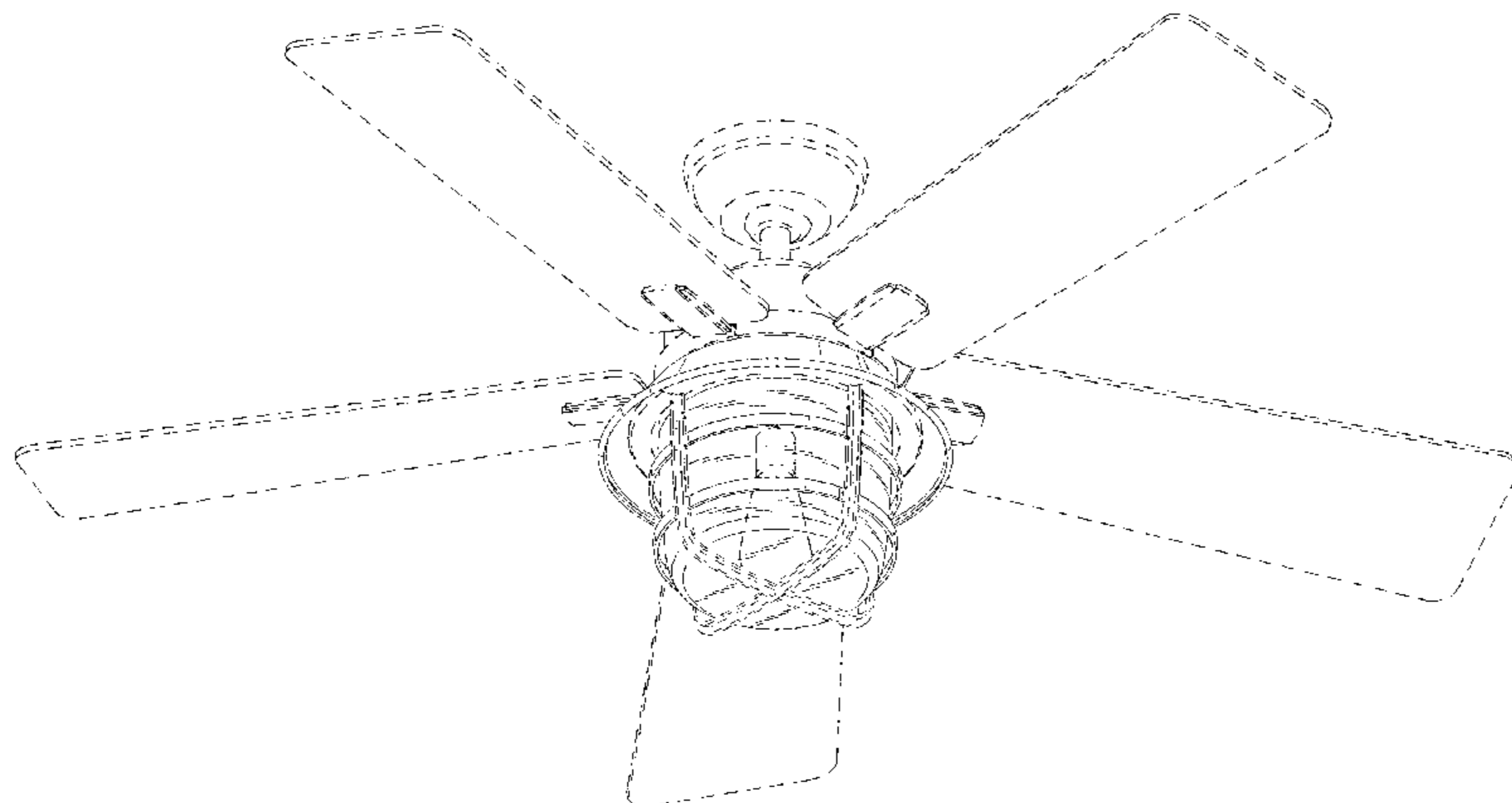
(57) **CLAIM**

The ornamental design for a ceiling fan light kit, as shown and described.

DESCRIPTION

FIG. 1 is a bottom perspective view of a ceiling fan light kit shown in the environment of a ceiling fan, showing my new design;
FIG. 2 is a top perspective view of the ceiling fan light kit of FIG. 1;
FIG. 3 is a top view of the ceiling fan light kit of FIG. 1;
FIG. 4 is a bottom view of the ceiling fan light kit of FIG. 1; and,
FIG. 5 is a side view of the ceiling fan light kit of FIG. 1. Portions of the ceiling fan light kit and the ceiling fan environment shown in broken lines form no part of the claimed design.

1 Claim, 5 Drawing Sheets



(56)

References Cited

U.S. PATENT DOCUMENTS

D521,625	S	5/2006	Young	
D525,696	S *	7/2006	Ertze	D23/377
D555,239	S	11/2007	Shurtleff	
D574,945	S	8/2008	Hidalgo	
D580,044	S *	11/2008	Ertze	D23/413
D704,819	S	5/2014	Wang	
D704,822	S	5/2014	Wang	
D710,489	S	8/2014	Shurtleff	
D732,157	S	6/2015	Lin et al.	
D804,635	S *	12/2017	Holmes	D23/377
D804,638	S *	12/2017	Guthrie	D23/377
D805,173	S *	12/2017	Vajen Habig	D23/377
D805,182	S *	12/2017	Pickett	D23/411
D806,852	S *	1/2018	Holmes	D23/377
D808,002	S *	1/2018	Holmes	D23/377
D810,918	S *	2/2018	Holmes	D23/377
D814,011	S *	3/2018	McRoberts	D23/377
D818,104	S *	5/2018	Holmes	D23/377
D821,009	S *	6/2018	Holmes	D26/59
D821,010	S *	6/2018	Holmes	D26/59
D823,512	S *	7/2018	Vajen Habig	D26/59
D825,086	S *	8/2018	Holmes	D26/59
D834,172	S *	11/2018	Guthrie	D23/411
D855,873	S *	8/2019	Hagggar	D26/119
D857,978	S *	8/2019	Fan	D26/119
D859,628	S *	9/2019	Yang	D23/377
D859,630	S *	9/2019	Puerto	D23/385
D861,218	S *	9/2019	Yang	D26/59
2005/0207140	A1	9/2005	Srass et al.	

OTHER PUBLICATIONS

<http://www.homedepot.com/p/Hampton-Bay-Devereaux-II-52-in-Oil-Rubbed-Bronze-Ceiling-Fan-AL685-ORB/203244862>, Item Specification for Hampton Bay Devereaux II 52 in. Oil-Rubbed Bronze Ceiling Fan, Accessed Oct. 28, 2016.

<http://www.hunterfan.com/Ceiling-Fans/Ivy-Creek?ModelNumber=59277>, Item Specification for Hunter Ivy Creek—52" Ceiling Fan, Accessed Oct. 28, 2016.

<http://www.hunterfan.com/Ceiling-Fans/Key-Biscayne?ModelNumber=59135>, Item Specification for Hunter Key Biscayne—54" Ceiling Fan, Accessed Oct. 28, 2016.

<http://ceilingfans.emerson.com/shop/en/fan/fan-s-all/fans-s-browse-all/maui-bay-fan-p-cf2000>, Item Specification for Emerson Maui Bay—52" Ceiling Fan, Accessed Oct. 28, 2016.

<http://www.fanimation.com/products/index.php/fans/kaya.html>, Item Specification for Fanimation Kaya Ceiling Fan, Accessed Oct. 28, 2016.

<http://www.kichler.com/products/product/52-inch-chicago-fan-tzg-300001tzm.aspx>, Item Specification for Kichler Chicago Collection 52 Inch Chicago Fan TZG, Accessed Oct. 28, 2016.

<http://www.montecarlofans.com/32990/52-Morton-Oil-Rubbed-Bronze-5MB52OZD.html>, Item Specification for Monte Carlo 52" Morton—Oil Rubbed Bronze, Accessed Oct. 28, 2016.

<http://www.homedepot.com/p/Hampton-Bay-Metro-54-in-Rustic-Copper-Indoor-Outdoor-Ceiling-Fan-34342/202075572>, Item Specification for Hampton Bay Metro 54 in. Rustic Copper Indoor/Outdoor Ceiling Fan, Accessed Oct. 28, 2016.

<http://www.craftmade.com/Craftmade-MOR54ESP3-Espresso-Ceiling-Fan.HTM>, Item Specification for Craftmade MOR54ESP3—Moorestad, Accessed Oct. 28, 2016.

<http://www.minkagroup.net/products/f582-orb>, Item Specification for Minka Aire F582-ORB 52" Rainman, Accessed Oct. 28, 2016.

<http://www.craftmade.com/Craftmade-OLK13CFL-FB-Flat-Black-Outdoor-Light-Kit.HTM>, Item Specification for Craftmade OLK13CFL-FB, Accessed Oct. 28, 2016.

<http://www.craftmade.com/Craftmade-OLK200CFL-RI-Rustic-Iron-Ceiling-Fan-Light-Kit.HTM>, Item Specification for Craftmade OLK200CFL-RI, Accessed Oct. 28, 2016.

<http://www.craftmade.com/Craftmade-OLK67CFL-OB-Oiled-Bronze-Outdoor-Light-Kit.HTM>, Item Specification for Craftmade OLK67CFL-OB, Accessed Oct. 28, 2016.

<http://www.modernfan.com/products/pharos.html>, Item Specification for Pharos, Accessed Oct. 28, 2016.

<http://www.montecarlofans.com/32467/52-Aviary-Dark-Bronze-4AIR52DBD.html>, Item Specification for Monte Carlo 52" Aviary—Dark Bronze, Accessed Oct. 28, 2016.

[http://www.montecarlofans.com/22172/52-Bumet-Outdoor-Fan---Roman-Bronze-\(Wet-Rated\)-5BR52RBD.html](http://www.montecarlofans.com/22172/52-Bumet-Outdoor-Fan---Roman-Bronze-(Wet-Rated)-5BR52RBD.html), Item Specification for Monte Carlo 52" Bumet Outdoor Fan—Roman Bronze (Wet Rated), Accessed Oct. 28, 2016.

<http://www.homedepot.com/p/Hampton-Bay-Glacier-Bay-52-in-Indoor-Outdoor-Rustic-Copper-Ceiling-Fan-14938/202790702>, Item Specification for Hampton Bay Glacier Bay 52in. Indoor/Outdoor Rustic Copper Ceiling Fan, Accessed Oct. 28, 2016.

<http://www.homedepot.com/p/Hampton-Bay-North-Shoreline-46-in-Natural-Iron-Indoor-Outdoor-Ceiling-Fan-with-Light-Kit-51546/205643117>, Item Specification for Hampton Bay North Shoreline 46 in. Natural Iron Indoor/Outdoor Ceiling Fan with Light Kit, Accessed Oct. 28, 2016.

<https://www.lowes.com/pd/Harbor-Breeze-Merrimack-52-in-Antique-Bronze-Downrod-Mount-Indoor-Outdoor-Ceiling-Fan-with-Light-Kit-and-Remote/4165863>, Item Specification for Harbor Breeze Merrimack 52-in Antique Bronze Downrod Mount Indoor/Outdoor Ceiling Fan with Light Kit and Remote, Accessed Oct. 28, 2016.

<http://www.hunterfan.com/Ceiling-Fans/Mayford?ModelNumber=59205>, Item Specification for Hunter Mayford—54" Ceiling Fan, Accessed Oct. 28, 2016.

<http://arcadianhome.com/CM-B552C-CR>, Item Specification for Craftmade Contour Series 52" Type 2 Blades—CM-B552C-CR, Accessed Oct. 28, 2016.

<http://www.fanimation.com/products/index.php/22-inch-breckenfield-composite-blade-set.html>, Item Specification for Fanimation 22 Inch Breckenfield Composite Blade Set, Accessed Oct. 28, 2016.

<https://www.lowes.com/pd/Hunter-Allegheny-52-in-New-Bronze-Flush-Mount-Indoor-Outdoor-Ceiling-Fan-with-Light-Kit/3819969>, Hunter Allegheny 52-in. New Bronze Flush Mouny Indoor/Outdoor Ceiling Fan with Light Kit, accessed Apr. 6, 2018.

* cited by examiner

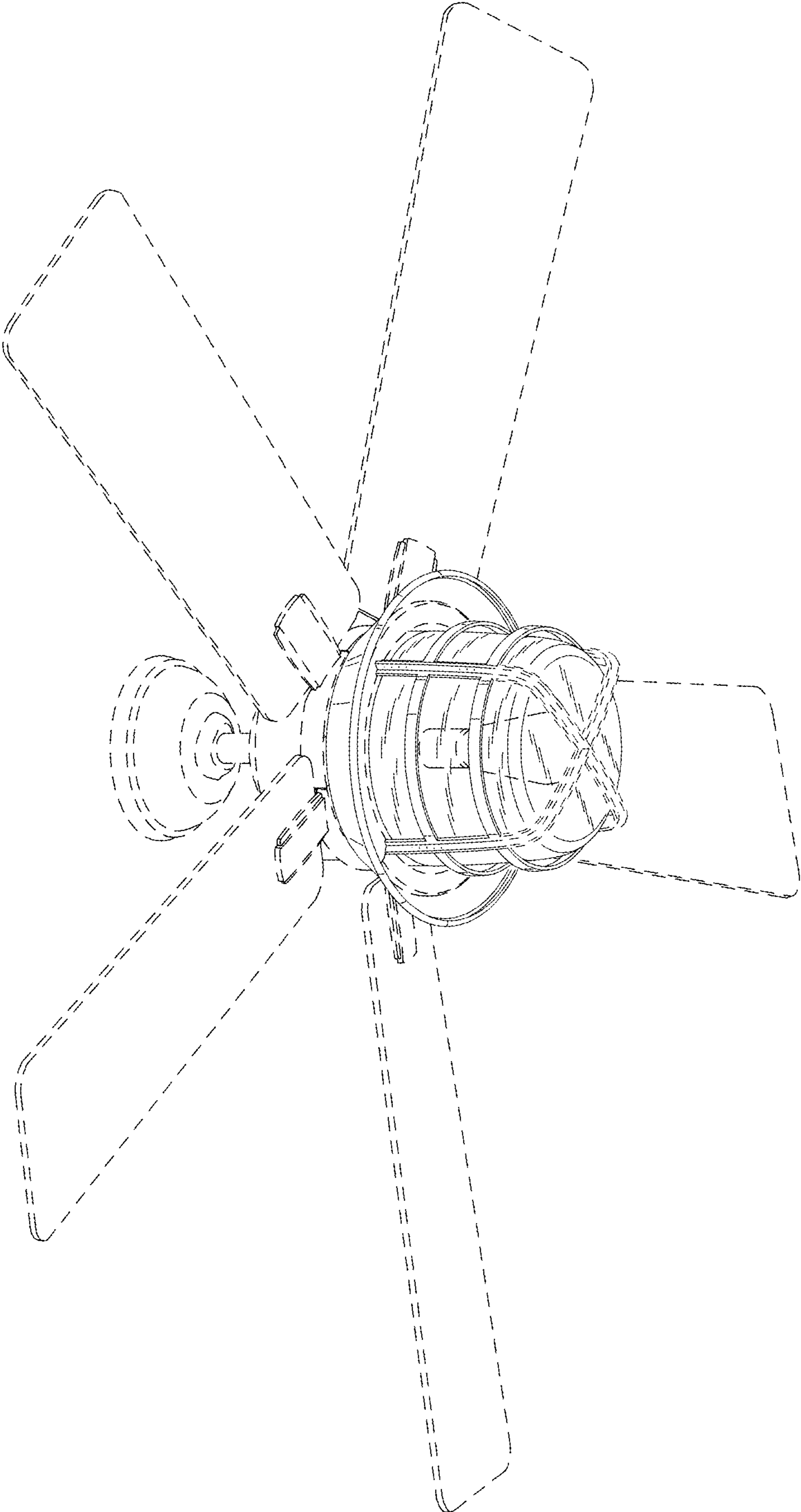


FIG. 1

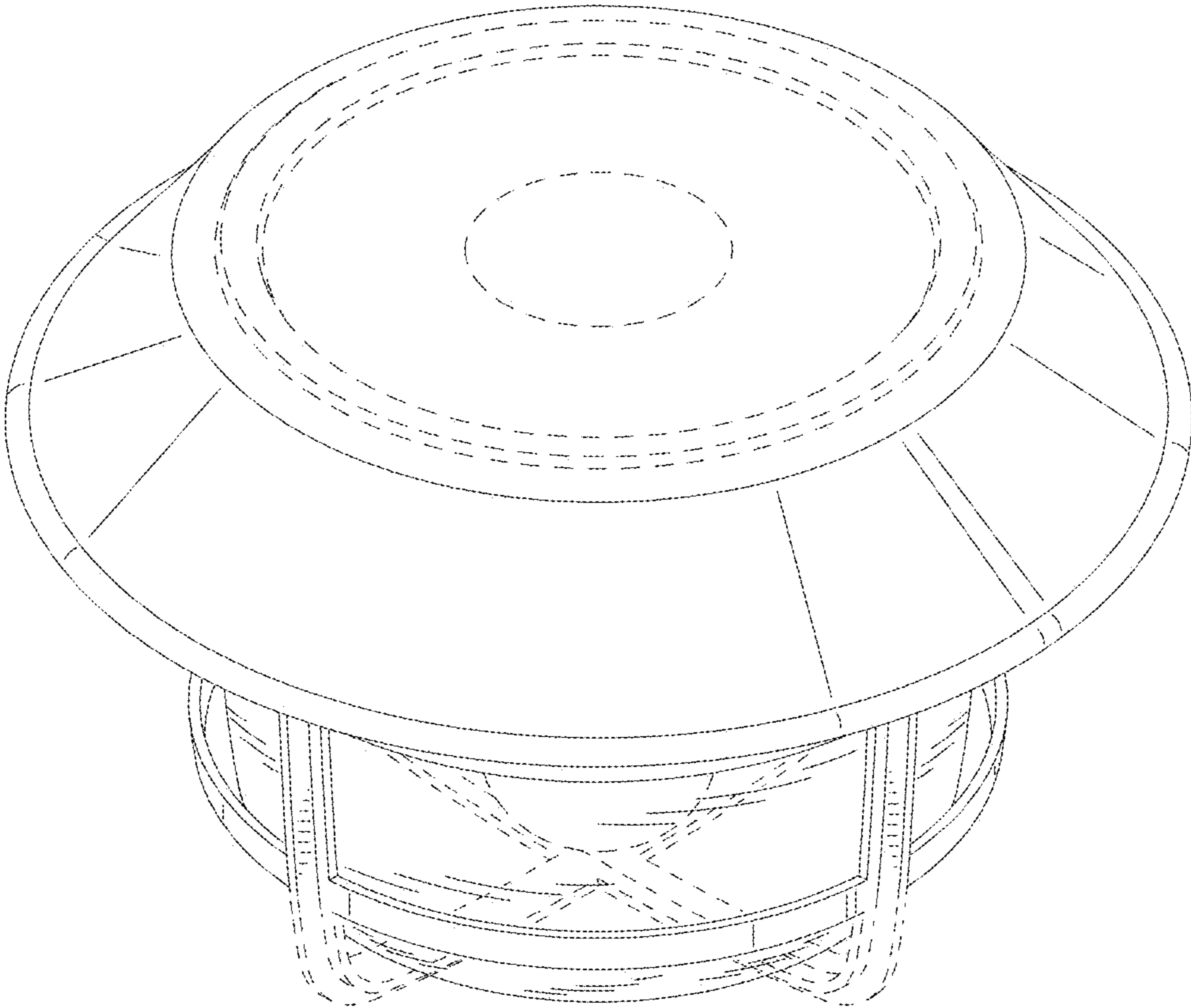


FIG.2

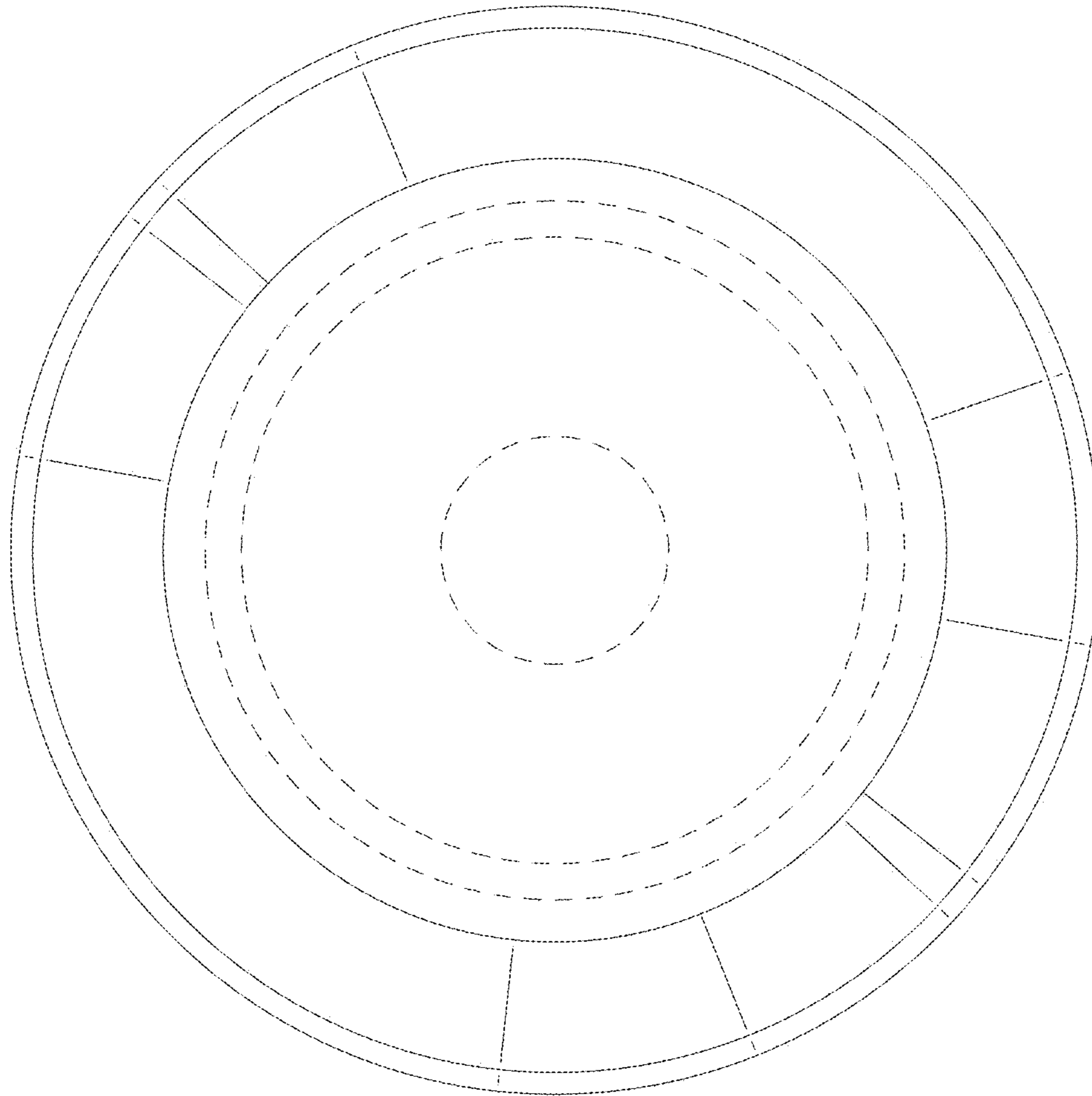


FIG. 3

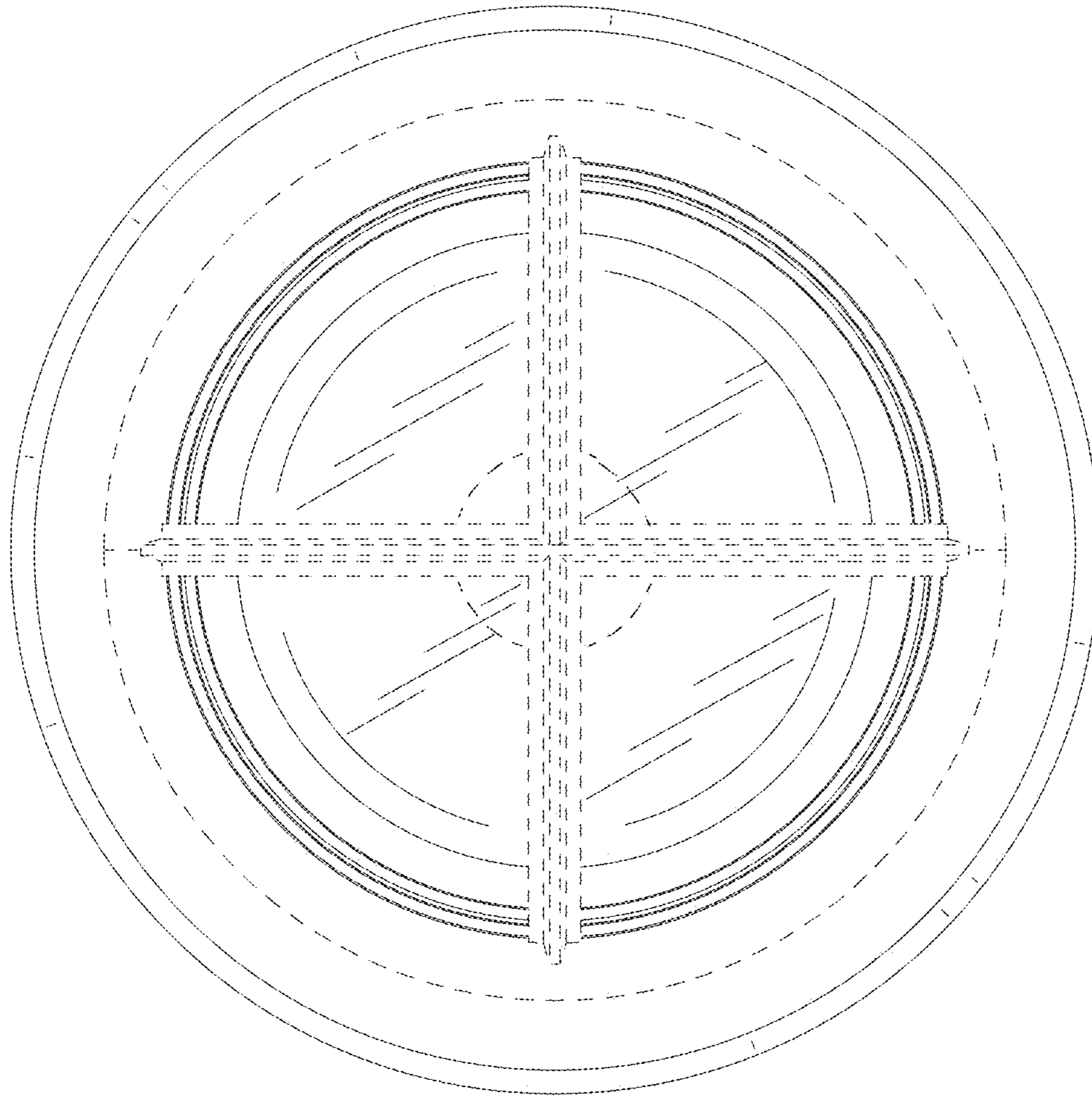


FIG.4

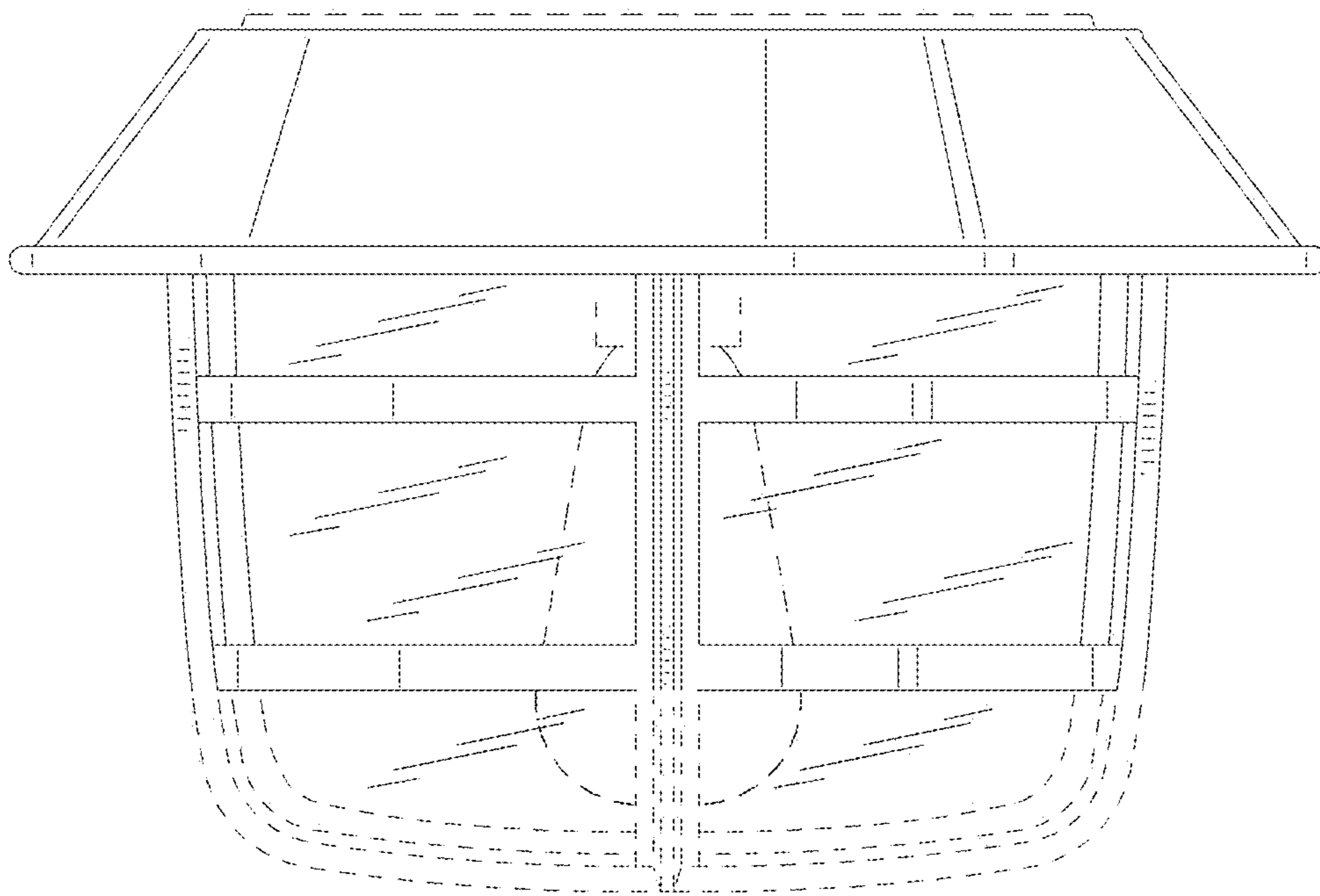


FIG. 5