



US00D880033S

(12) **United States Design Patent**  
**Bulla et al.**

(10) **Patent No.:** **US D880,033 S**  
(45) **Date of Patent:** **\*\* Mar. 31, 2020**

(54) **CABINET LIGHT**

D816,877 S \* 5/2018 Zou ..... D26/60  
10,401,018 B1 \* 9/2019 Smith ..... A47B 77/00  
D865,252 S \* 10/2019 Peters ..... D26/60

(Continued)

(71) Applicant: **Grass America Inc.**, Kernersville, NC  
(US)

(72) Inventors: **Matthias Bulla**, Greensboro, NC (US);  
**Daniel L. Moss**, High Point, NC (US);  
**Thomas Kipp**, Kernersville, NC (US);  
**Georg Domenig**, Kernersville, NC (US)

(73) Assignee: **Grass America Inc.**, Kernersville, NC  
(US)

(\*\*) Term: **15 Years**

(21) Appl. No.: **29/630,769**

(22) Filed: **Dec. 22, 2017**

(51) **LOC (12) Cl.** ..... **26-05**

(52) **U.S. Cl.**  
USPC ..... **D26/58; D26/72**

(58) **Field of Classification Search**  
USPC ..... D26/24, 51, 58, 60, 72, 80  
CPC ..... F21S 8/03; F21S 8/031; F21S 8/04; F21V  
23/04; F21V 21/088; F21V 21/08; F21V  
33/0012; F21W 2131/301; A45C 15/06  
See application file for complete search history.

(56) **References Cited**

**U.S. PATENT DOCUMENTS**

682,742 A \* 9/1901 Plass ..... F21L 2/00  
362/200  
4,332,007 A \* 5/1982 Gibstein ..... F21L 2/00  
362/103  
D336,351 S \* 6/1993 Freese ..... D26/60  
6,213,619 B1 \* 4/2001 Yu ..... A45F 5/02  
116/DIG. 44  
D548,384 S \* 8/2007 Komar ..... D26/37  
D608,038 S \* 1/2010 Chan ..... D26/60  
D629,131 S \* 12/2010 Seal ..... D26/60  
D669,617 S \* 10/2012 Huckestein ..... D26/60  
D787,729 S \* 5/2017 Jin ..... D26/60  
D809,174 S \* 1/2018 Liang ..... D26/60

**OTHER PUBLICATIONS**

Hzytyier Inner Cabinet Hinge LED Sensor Light for Closet sold at  
amazon.com May 20, 2019. (Year: 2019).\*

*Primary Examiner* — Clare E Heflin

(74) *Attorney, Agent, or Firm* — Burr & Brown, PLLC

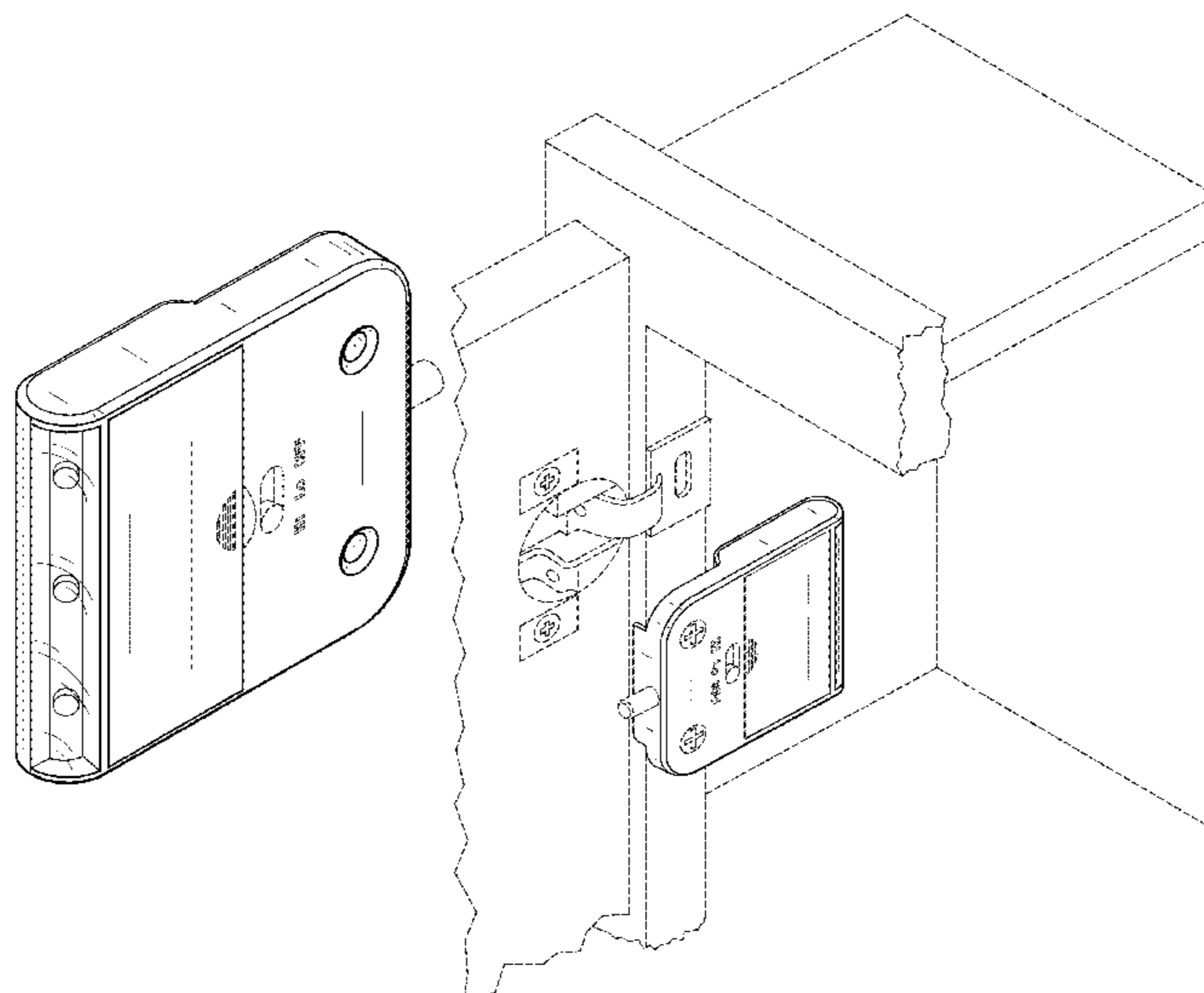
(57) **CLAIM**

The ornamental design for a cabinet light, as shown and  
described.

**DESCRIPTION**

FIG. 1 is a front perspective view of a first embodiment of  
a cabinet light illustrating our new design;  
FIG. 2 is a front view thereof;  
FIG. 3 is a rear view thereof;  
FIG. 4 is a left side view thereof;  
FIG. 5 is a right side view thereof;  
FIG. 6 is a top view thereof;  
FIG. 7 is a bottom view thereof;  
FIG. 8 is a front perspective view of the cabinet light in a  
mounted position;  
FIG. 9 is a front perspective view of a second embodiment  
of a cabinet light illustrating our new design;  
FIG. 10 is a front view thereof;  
FIG. 11 is a rear view thereof;  
FIG. 12 is a left side view thereof;  
FIG. 13 is a right side view thereof;  
FIG. 14 is a top view thereof;  
FIG. 15 is a bottom view thereof; and,  
FIG. 16 is a front perspective view of the cabinet light in a  
mounted position.  
The broken lines in the drawings depict unclaimed subject  
matter only and form no part of the claimed design.

**1 Claim, 10 Drawing Sheets**



(56)

**References Cited**

U.S. PATENT DOCUMENTS

2002/0067611 A1\* 6/2002 Yaeger ..... F21L 4/027  
362/184  
2006/0277823 A1\* 12/2006 Barnett ..... F21V 21/0824  
47/33  
2007/0109803 A1\* 5/2007 Chuang ..... B62J 6/02  
362/473  
2016/0138254 A1\* 5/2016 Chimene ..... E03D 9/00  
4/661  
2018/0128459 A1\* 5/2018 Carroll ..... F21V 21/08

\* cited by examiner

FIG. 1

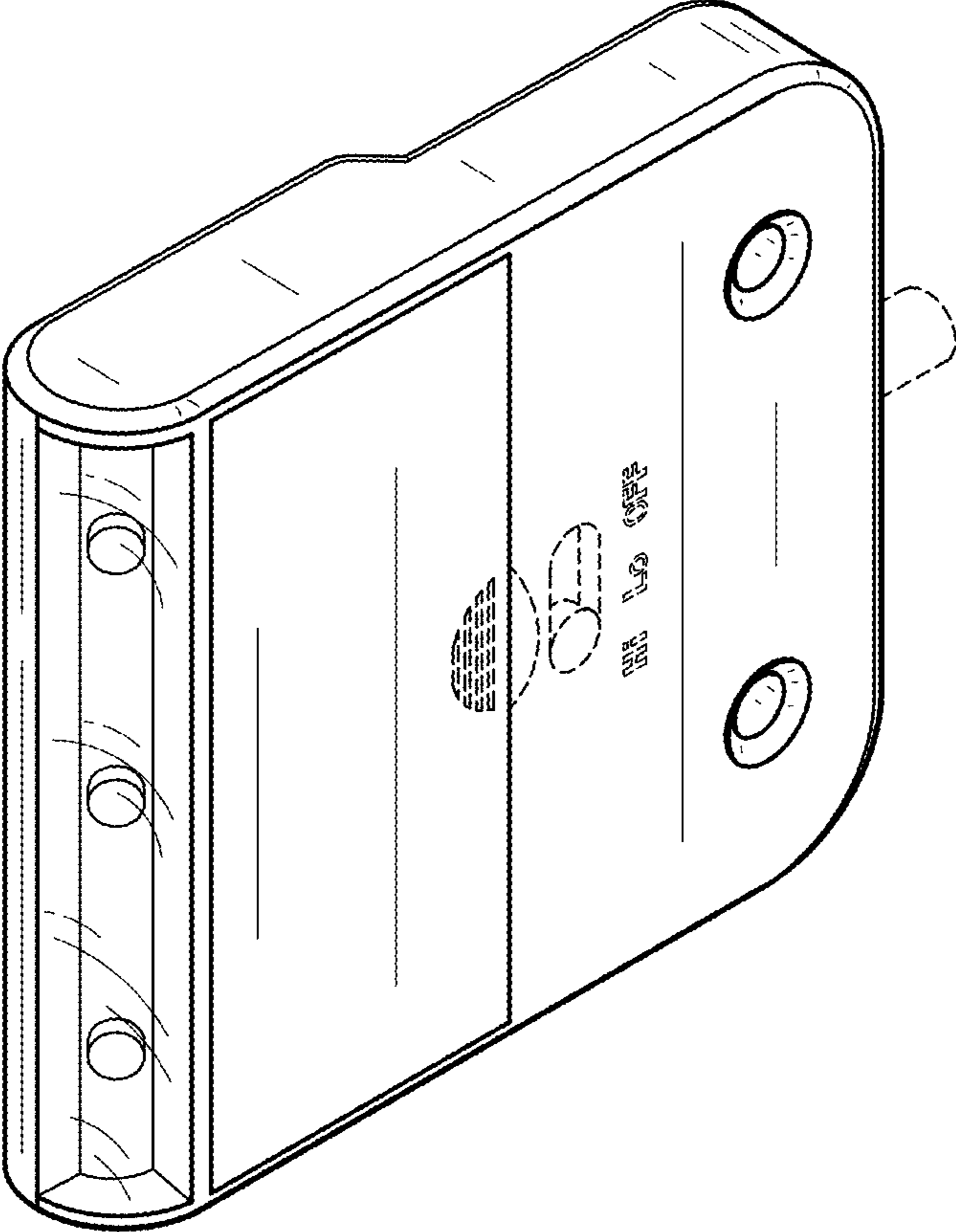


FIG. 2

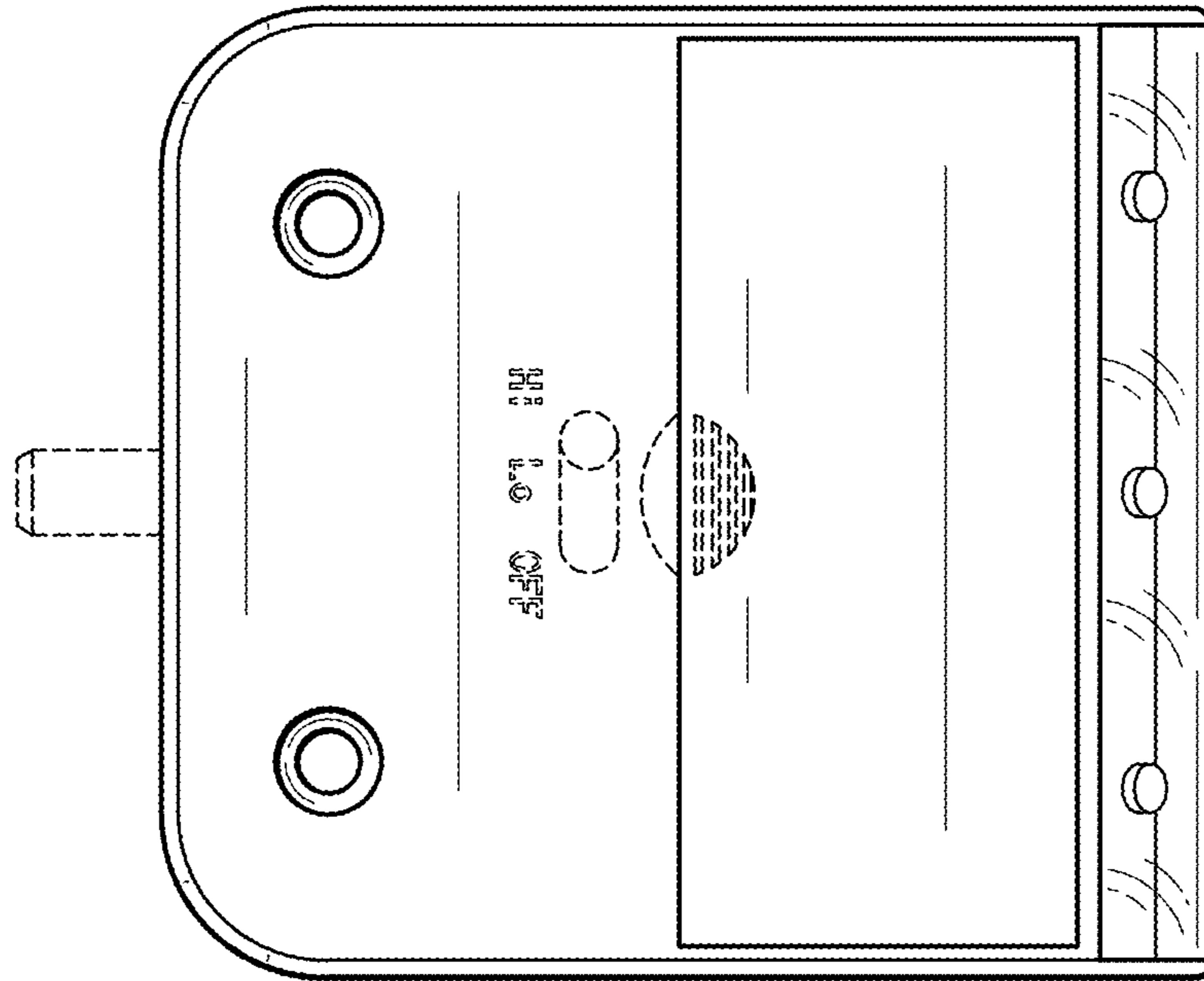


FIG. 3

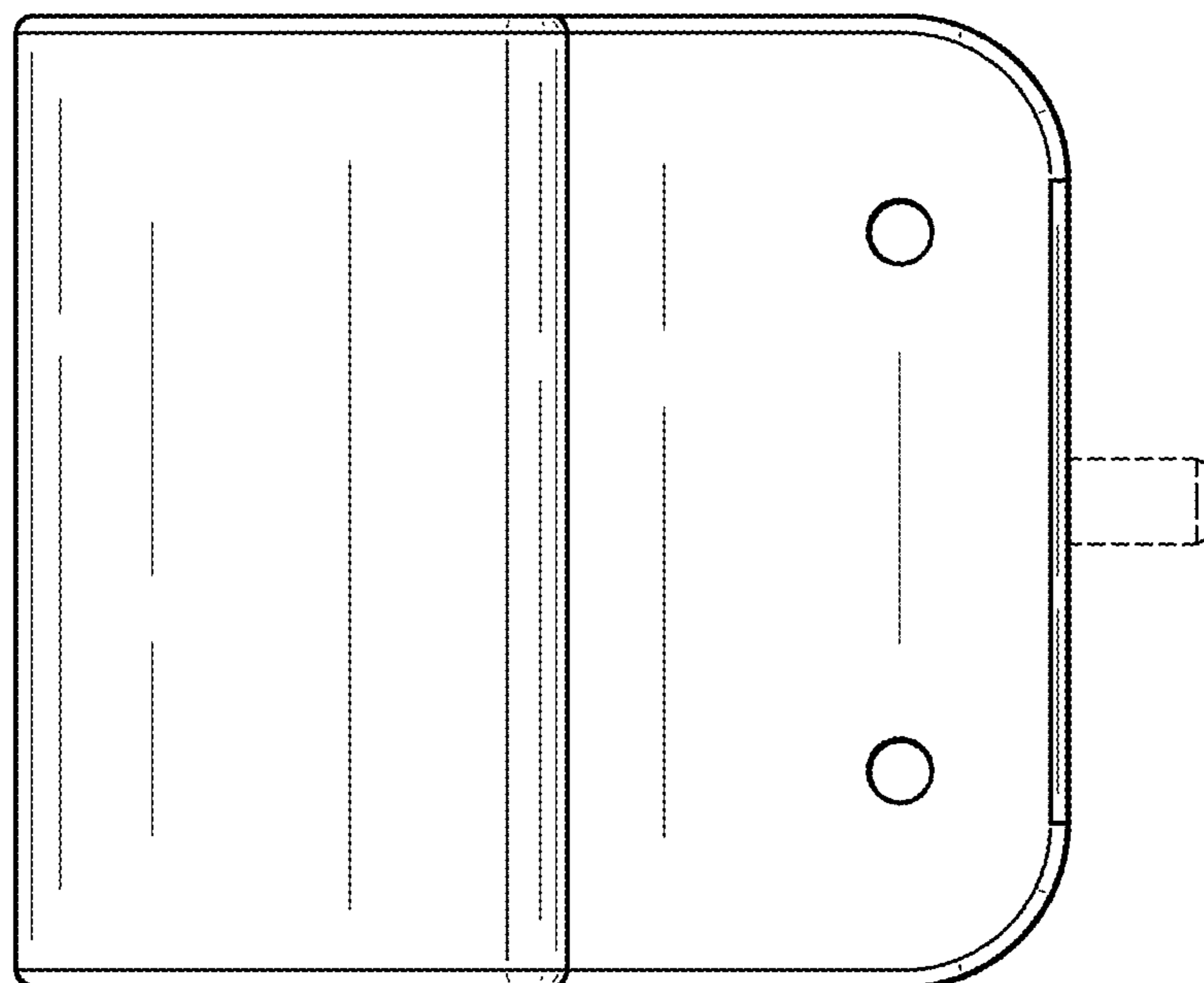


FIG. 4

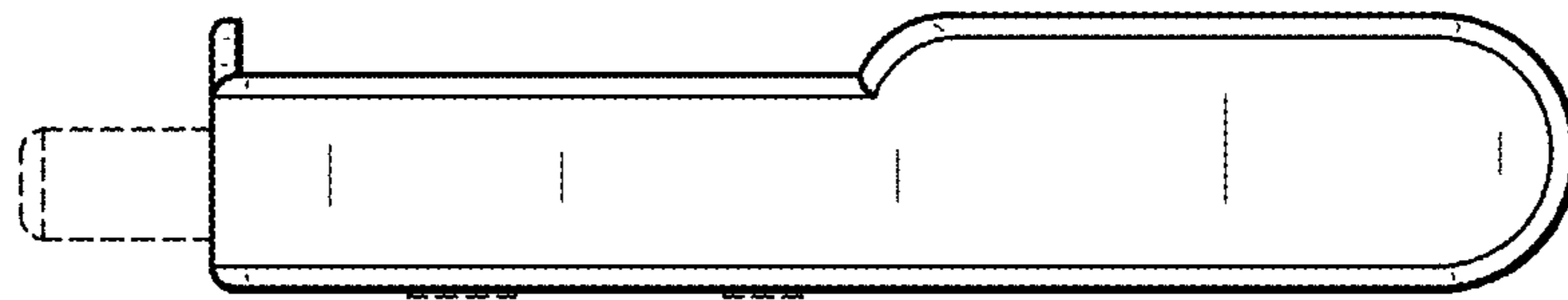


FIG. 5

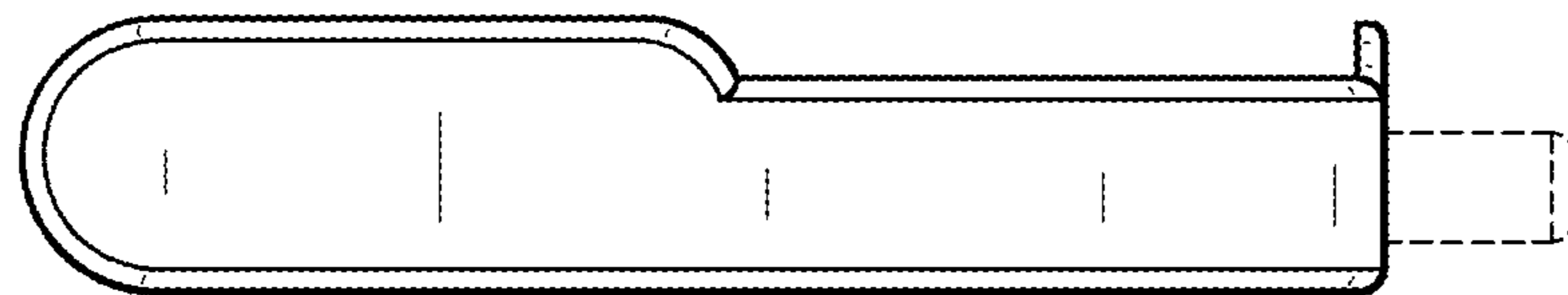


FIG. 6

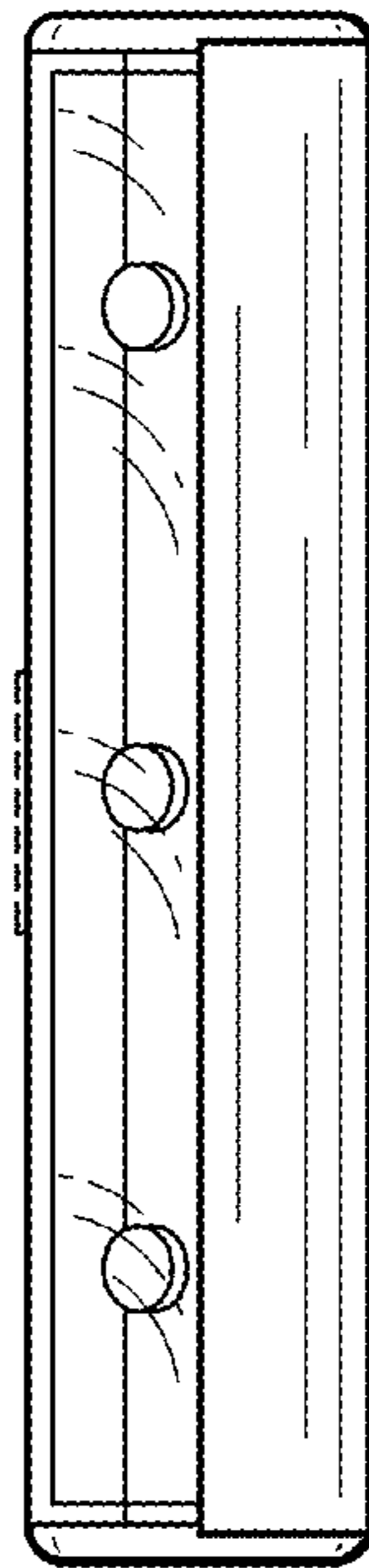


FIG. 7

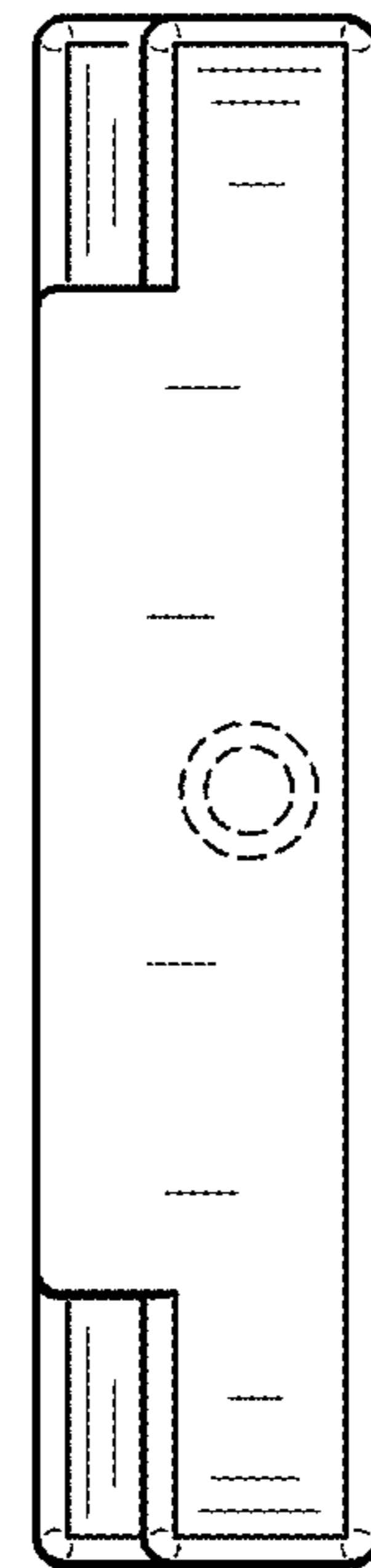




FIG. 8

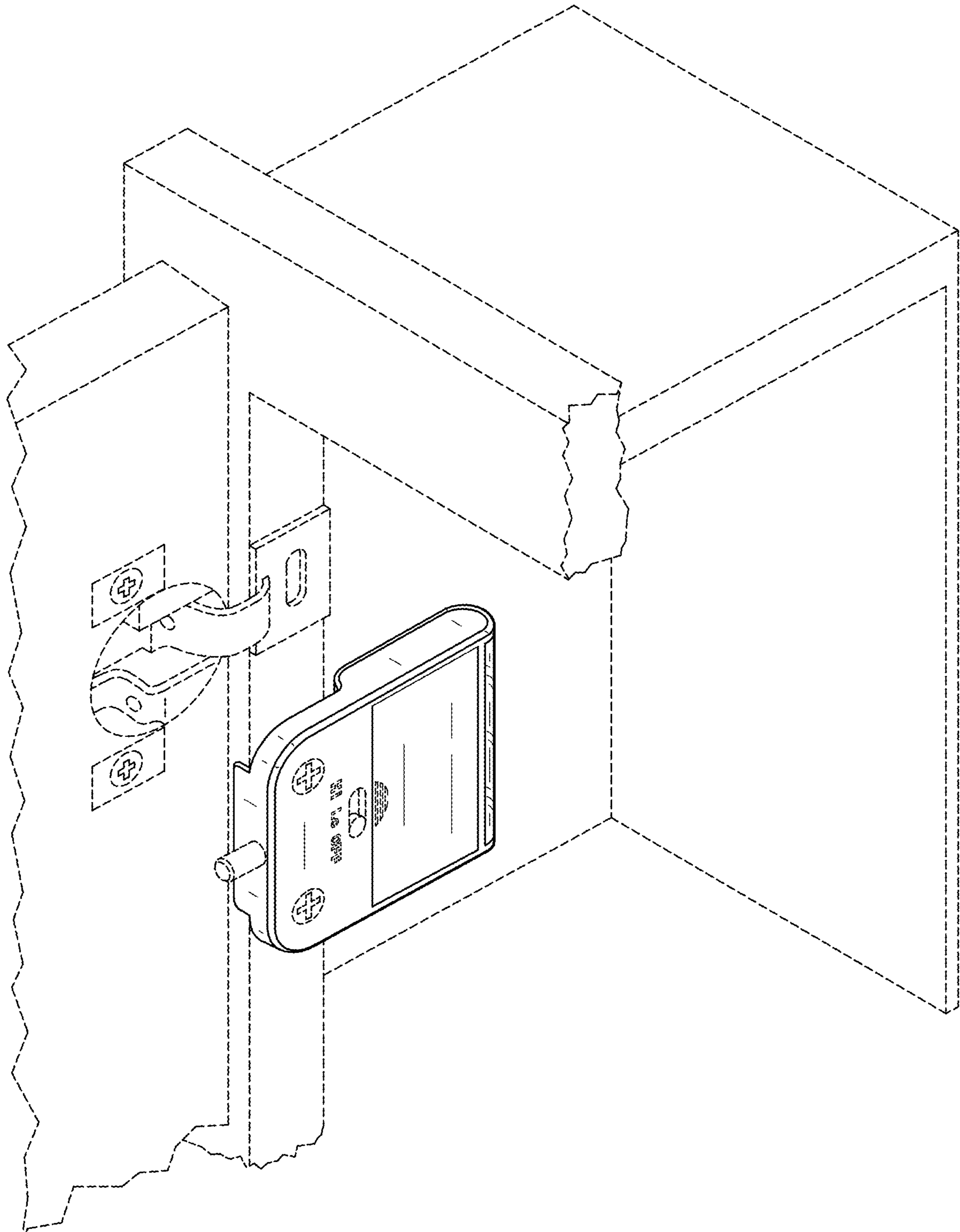


FIG. 9

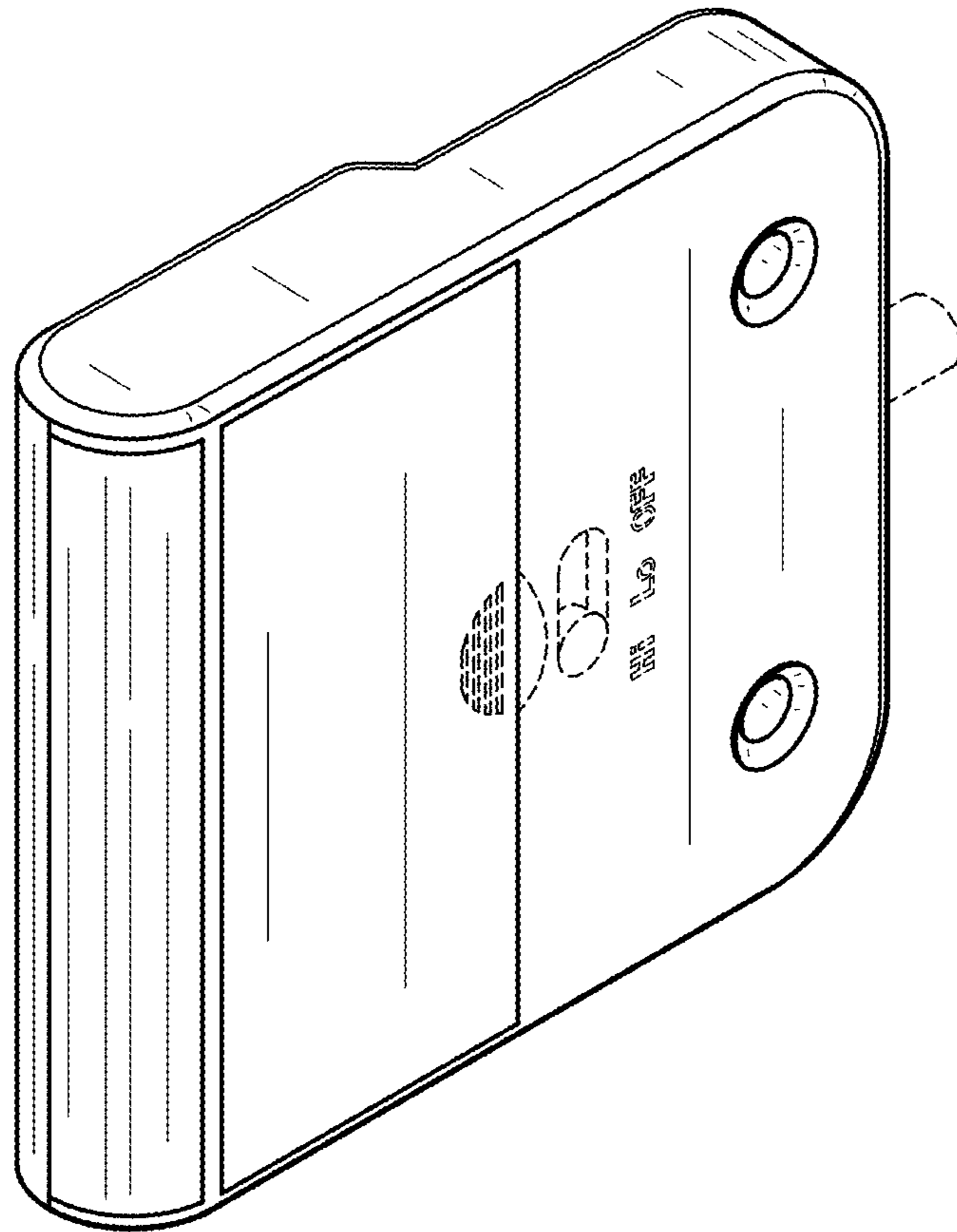




FIG. 10

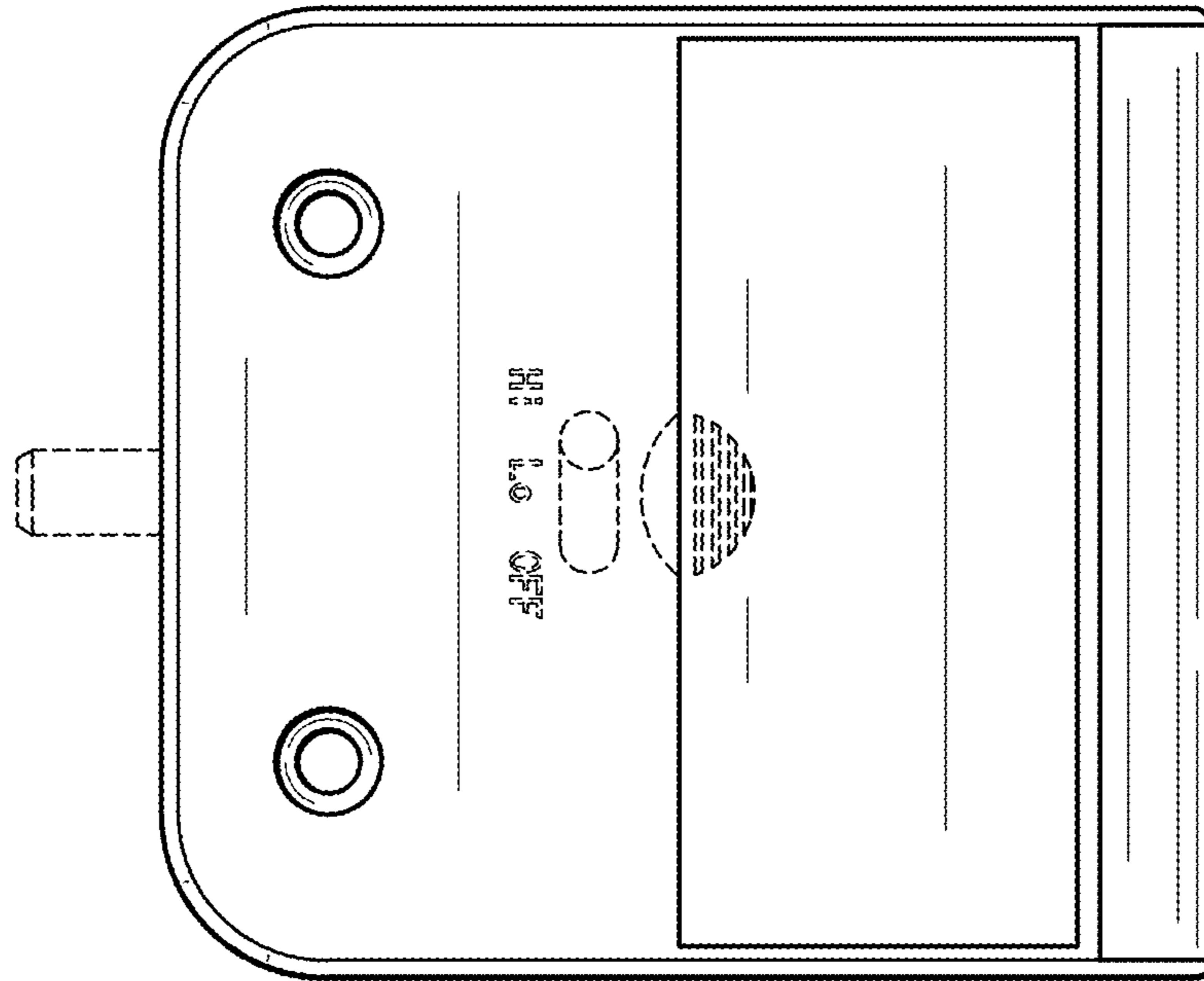


FIG. 11

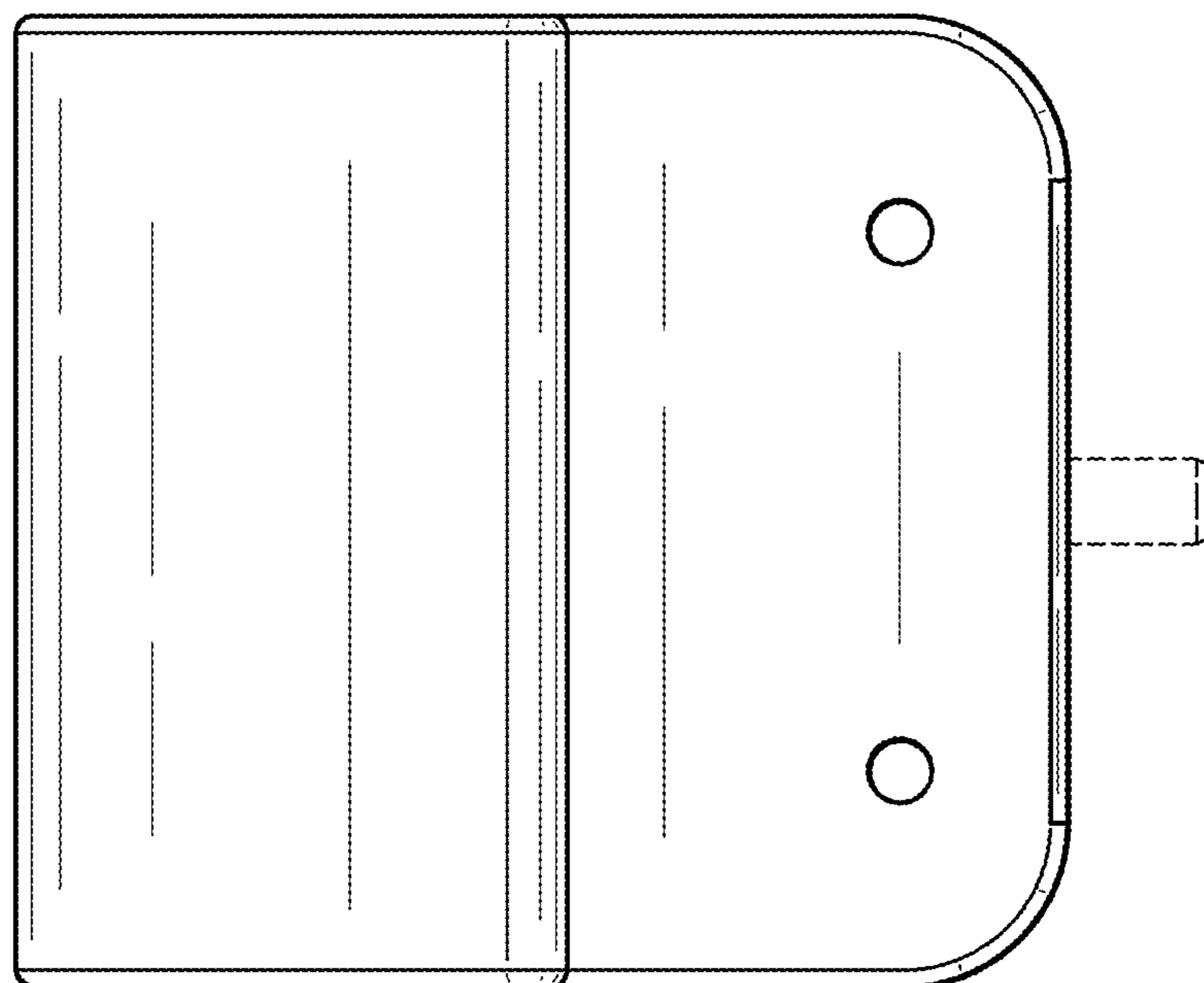


FIG. 12

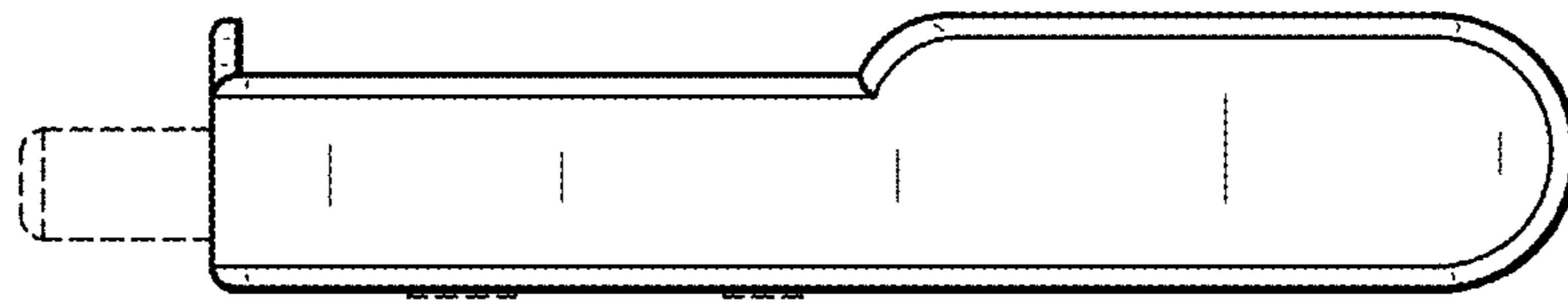


FIG. 13

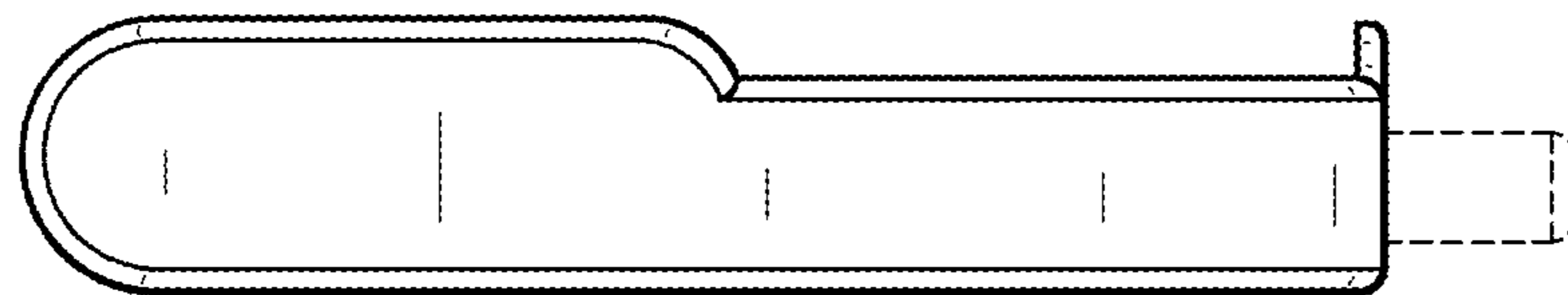


FIG. 14

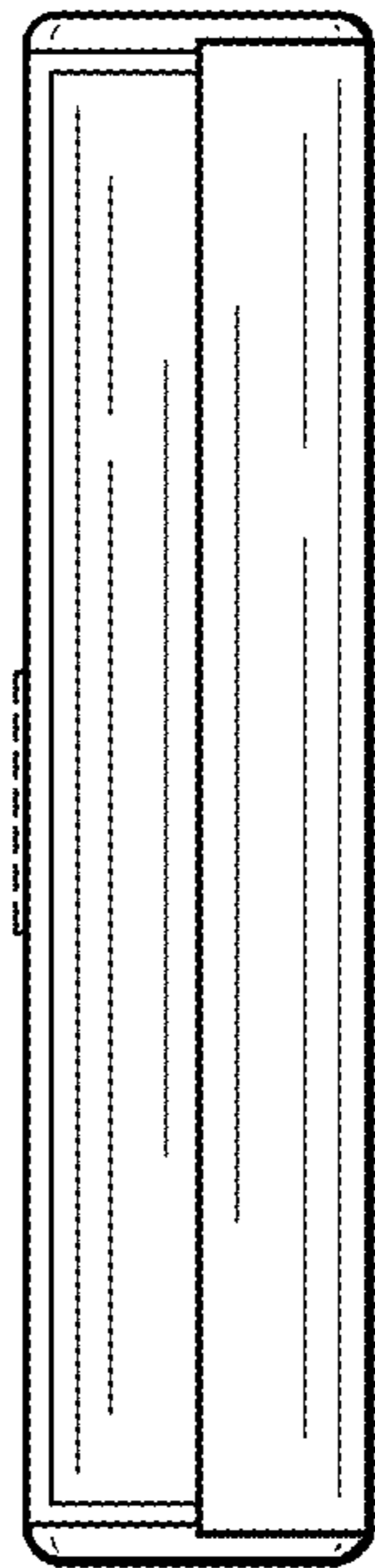


FIG. 15

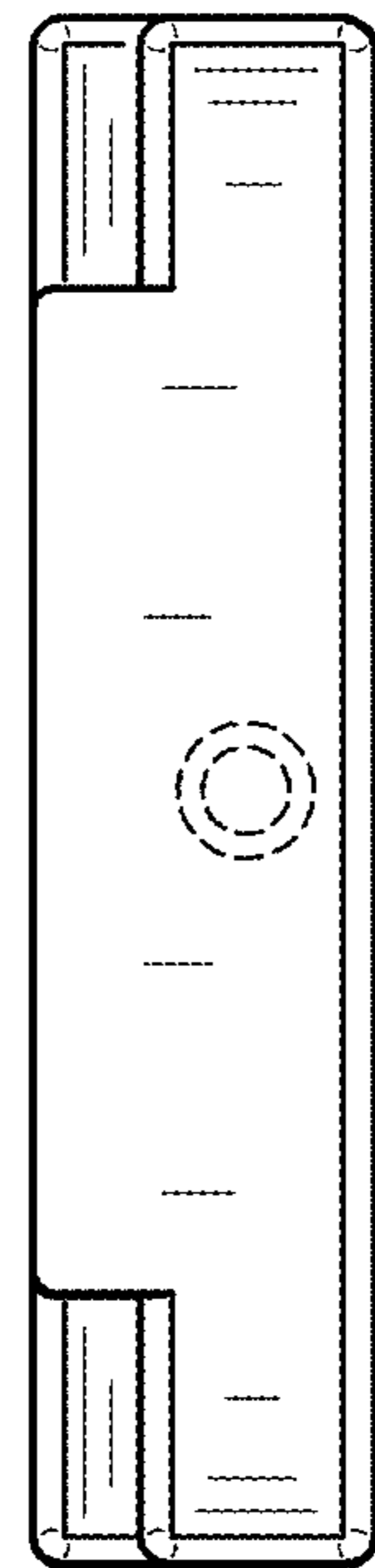


FIG. 16

