



US00D880032S

(12) **United States Design Patent**  
**Maier et al.**

(10) **Patent No.:** **US D880,032 S**  
(45) **Date of Patent:** **\*\* Mar. 31, 2020**

(54) **LAMP HEAD**

(71) Applicant: **SATA GmbH & Co. KG,**  
Kornwestheim (DE)

(72) Inventors: **Norbert Maier,** Allmersbach (DE);  
**Christoph Könnecke,** Frankfurt (DE);  
**Roman Schnabler,** Rodenbach (DE)

(73) Assignee: **SATA GmbH & Co. KG,**  
Kornwestheim (DE)

(\*\*) Term: **15 Years**

(21) Appl. No.: **29/594,326**

(22) Filed: **Feb. 17, 2017**

(30) **Foreign Application Priority Data**

Aug. 19, 2016 (EM) ..... 003346386

(51) **LOC (12) Cl.** ..... **26-02**

(52) **U.S. Cl.**  
USPC ..... **D26/45**

(58) **Field of Classification Search**  
USPC ..... D26/37-51  
CPC ..... F21L 2003/00; F21L 4/00; F21L 4/005;  
F21L 4/02; F21L 4/025; F21L 4/027;  
F21L 4/04; F21L 4/08; F21L 2005/00;  
F21L 7/00; F21L 11/00; F21L 13/00;  
F21L 13/04; F21L 13/08; F21L 14/02;  
F21L 17/00; F21L 19/00  
See application file for complete search history.

(56) **References Cited**

**U.S. PATENT DOCUMENTS**

- D375,570 S \* 11/1996 Hayakawa ..... D26/44
- D387,456 S \* 12/1997 Zurwelle ..... D26/46
- D405,552 S \* 2/1999 Howard ..... D26/44
- D413,994 S \* 9/1999 Clowers ..... D26/44
- D422,730 S \* 4/2000 Byler ..... D26/44
- D427,346 S \* 6/2000 Schoen ..... D26/45

- D427,697 S \* 7/2000 Brazell ..... D26/42
- D428,175 S \* 7/2000 Lynch ..... D26/44
- D446,591 S \* 8/2001 Shing ..... D26/45
- D479,351 S \* 9/2003 Ashfield ..... D26/44
- D487,810 S \* 3/2004 Kingston ..... D26/44
- D507,371 S \* 7/2005 Heun ..... D26/44

(Continued)

**FOREIGN PATENT DOCUMENTS**

- EM 003346394 8/2016
- EM 003347012 8/2016

**OTHER PUBLICATIONS**

For Design U.S. Appl. No. 29/594,328: Response filed Feb. 27, 2019.

(Continued)

*Primary Examiner* — Lakiya G Rogers

*Assistant Examiner* — Carissa C Fitts

(74) *Attorney, Agent, or Firm* — Paul D. Bianco; Lourdes Perez; Fleit Intellectual Property Law

(57) **CLAIM**

The ornamental design for a lamp head, as shown and described.

**DESCRIPTION**

FIG. 1 is a perspective view of a lamp head according to the present invention;

FIG. 2 is first side view of the lamp head of FIG. 1;

FIG. 3 is a front view of the lamp head of FIG. 1;

FIG. 4 is a second side view of the lamp head of FIG. 1;

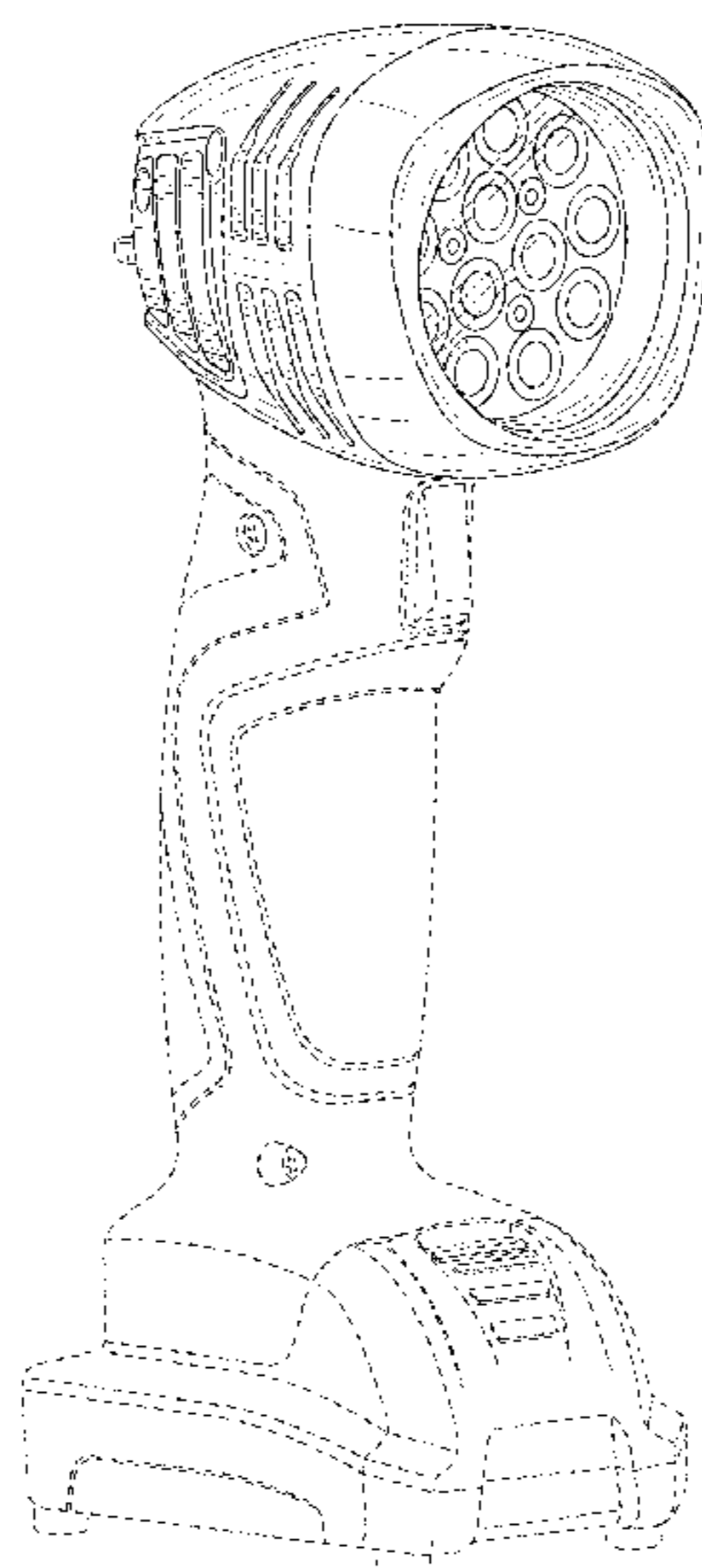
FIG. 5 is a back view of the lamp head of FIG. 1;

FIG. 6 is a top view of the lamp head of FIG. 1; and,

FIG. 7 is a bottom view of the lamp head of FIG. 1.

The dot-dash-dot broken lines immediately adjacent the shaded areas represent the bounds of the claimed design while all other broken lines are directed to portions of the article which form no part of the claimed design.

**1 Claim, 6 Drawing Sheets**



(56)

**References Cited**

U.S. PATENT DOCUMENTS

D523,161	S	*	6/2006	Hussaini	.....	D26/42
D539,457	S	*	3/2007	Kokawa	.....	D26/42
D552,279	S	*	10/2007	Osiecki	.....	D26/44
D553,775	S	*	10/2007	Lobert	.....	D26/42
D563,005	S	*	2/2008	Oles	.....	D26/44
D599,925	S	*	9/2009	Kingston	.....	D26/44
D599,926	S	*	9/2009	Schoch	.....	D26/45
D662,241	S	*	6/2012	Tschopp	.....	D26/45
D687,582	S	*	8/2013	Kawase	.....	D26/44
D719,424	S	*	12/2014	Okuda	.....	D8/14.1

OTHER PUBLICATIONS

For Design U.S. Appl. No. 29/594,323: Notice of Allowance dated Mar. 11, 2019.

For Design U.S. Appl. No. 29/594,323: Office Actions dated Oct. 20, 2017 and Nov. 14, 2018; Response filed Jan. 22, 2018 and Feb. 8, 2019.

For Design U.S. Appl. No. 29/594,328: Office Action dated Oct. 19, 2017 Response dated Jan. 19, 2018 Ex Parte Quayle Action dated Jan. 8, 2019.

Notice of Allowance dated Jul. 3, 2019 in U.S. Appl. No. 29/594,328, filed Feb. 17, 2017.

\* cited by examiner

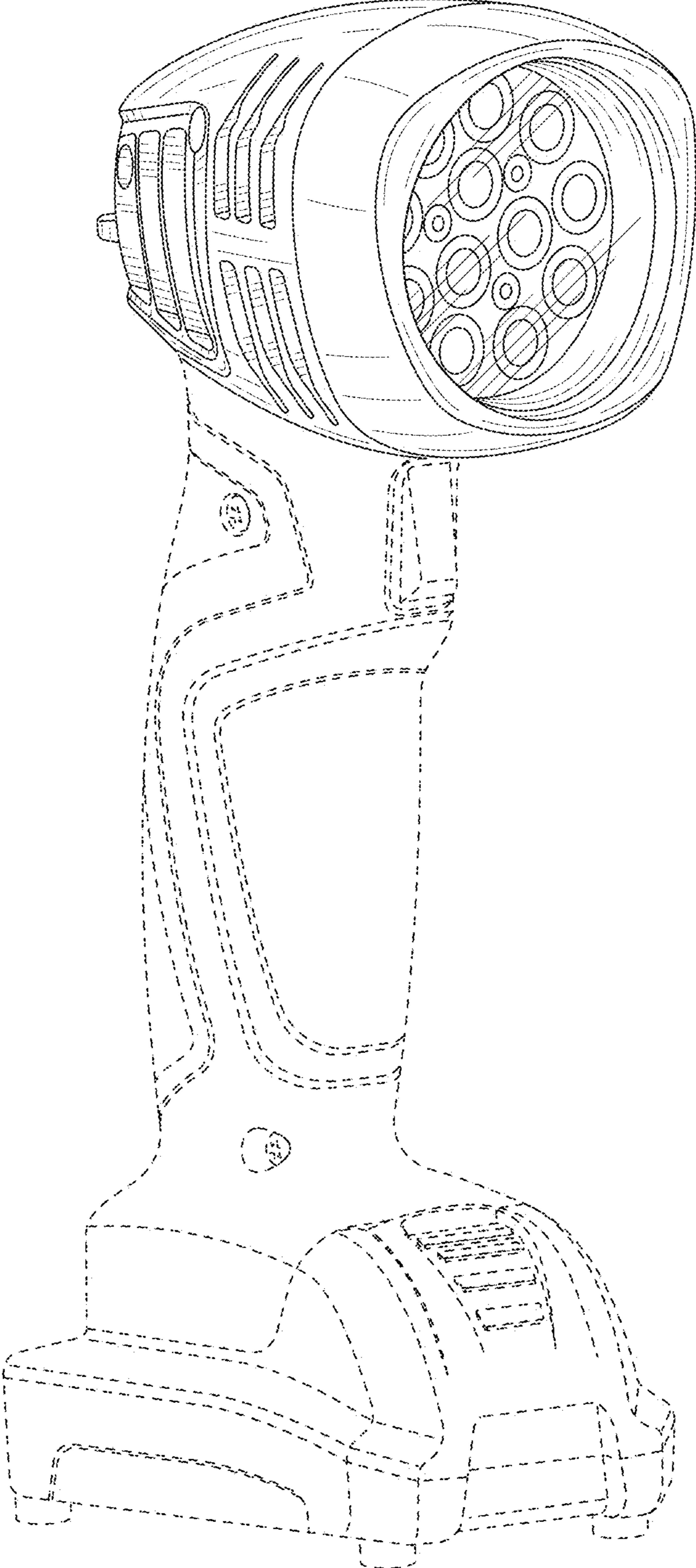


FIG. 1

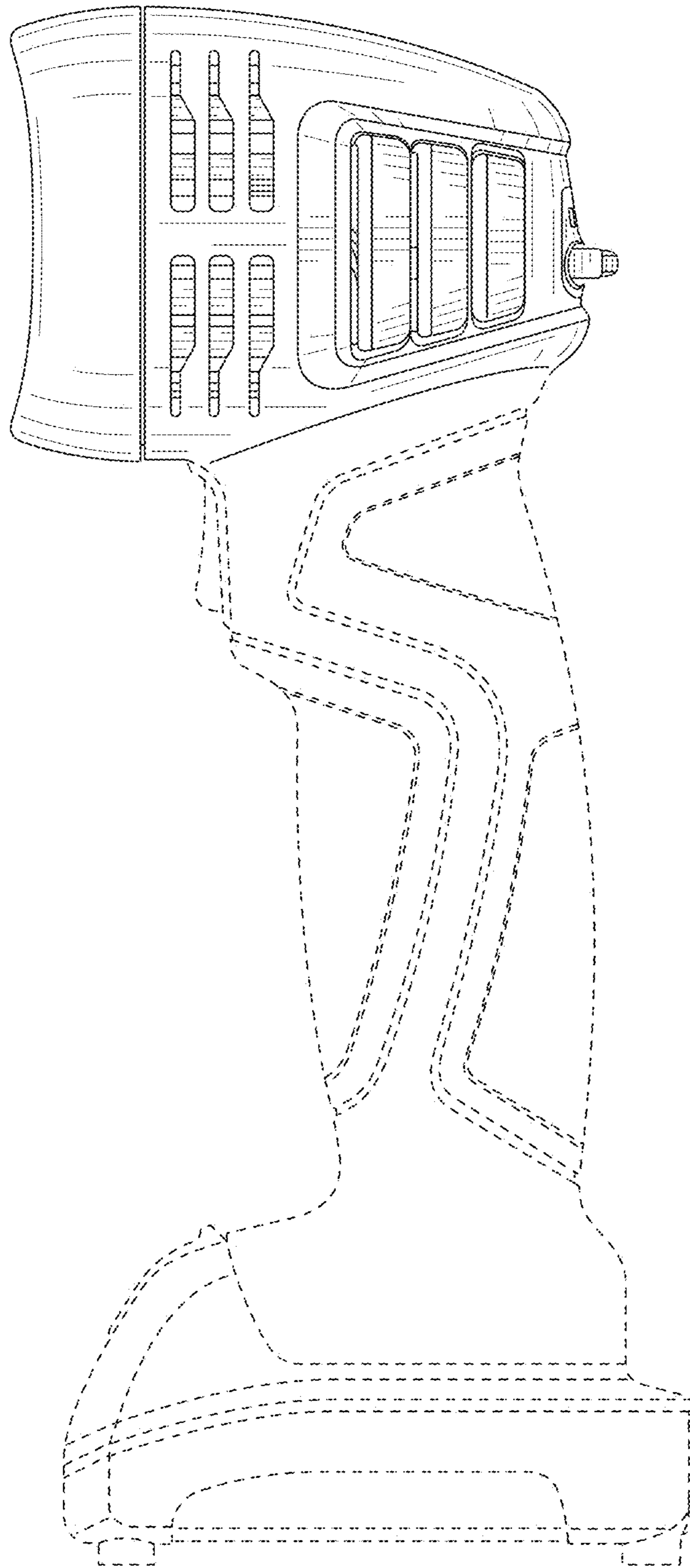
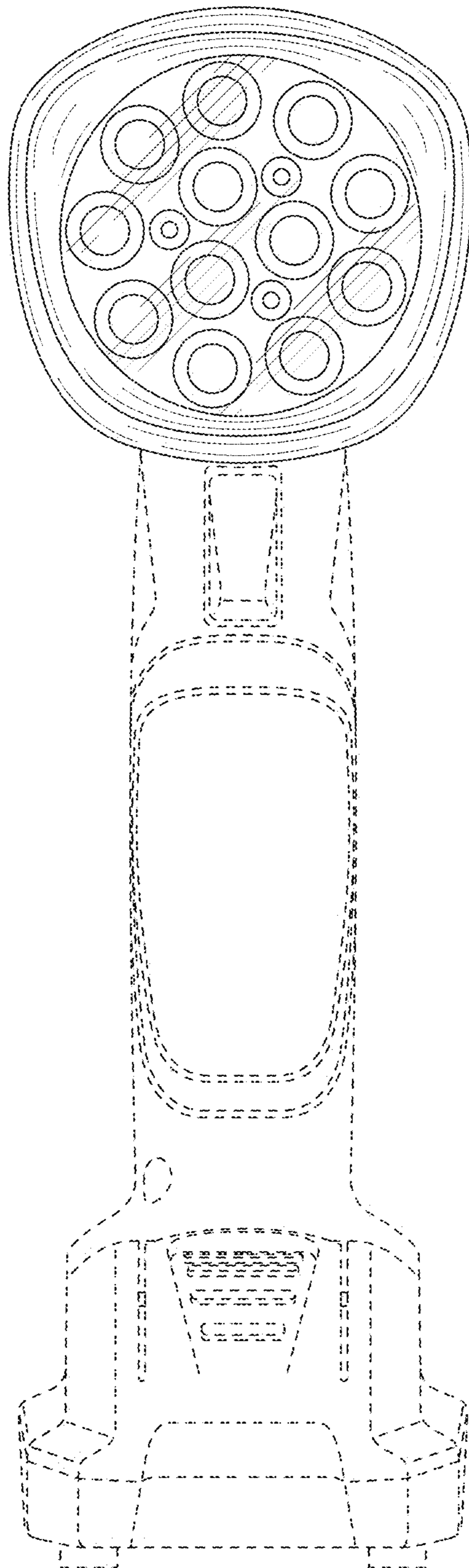


FIG. 2



**FIG. 3**

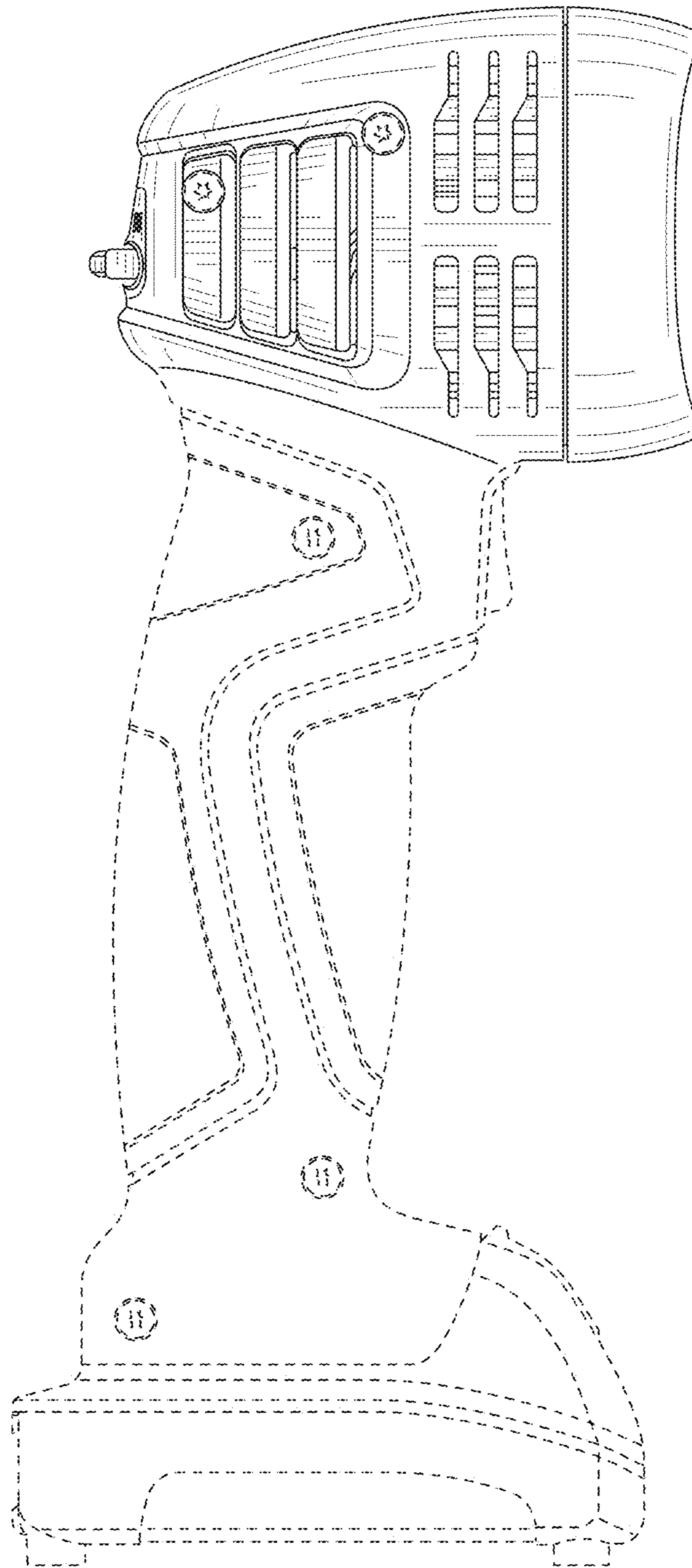


FIG. 4

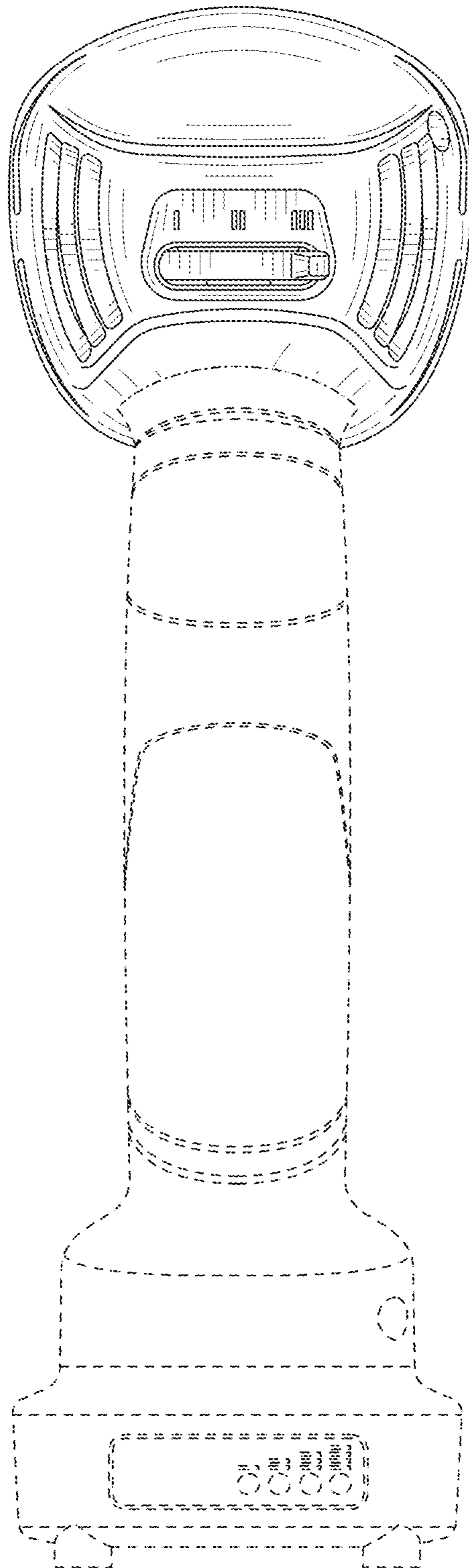
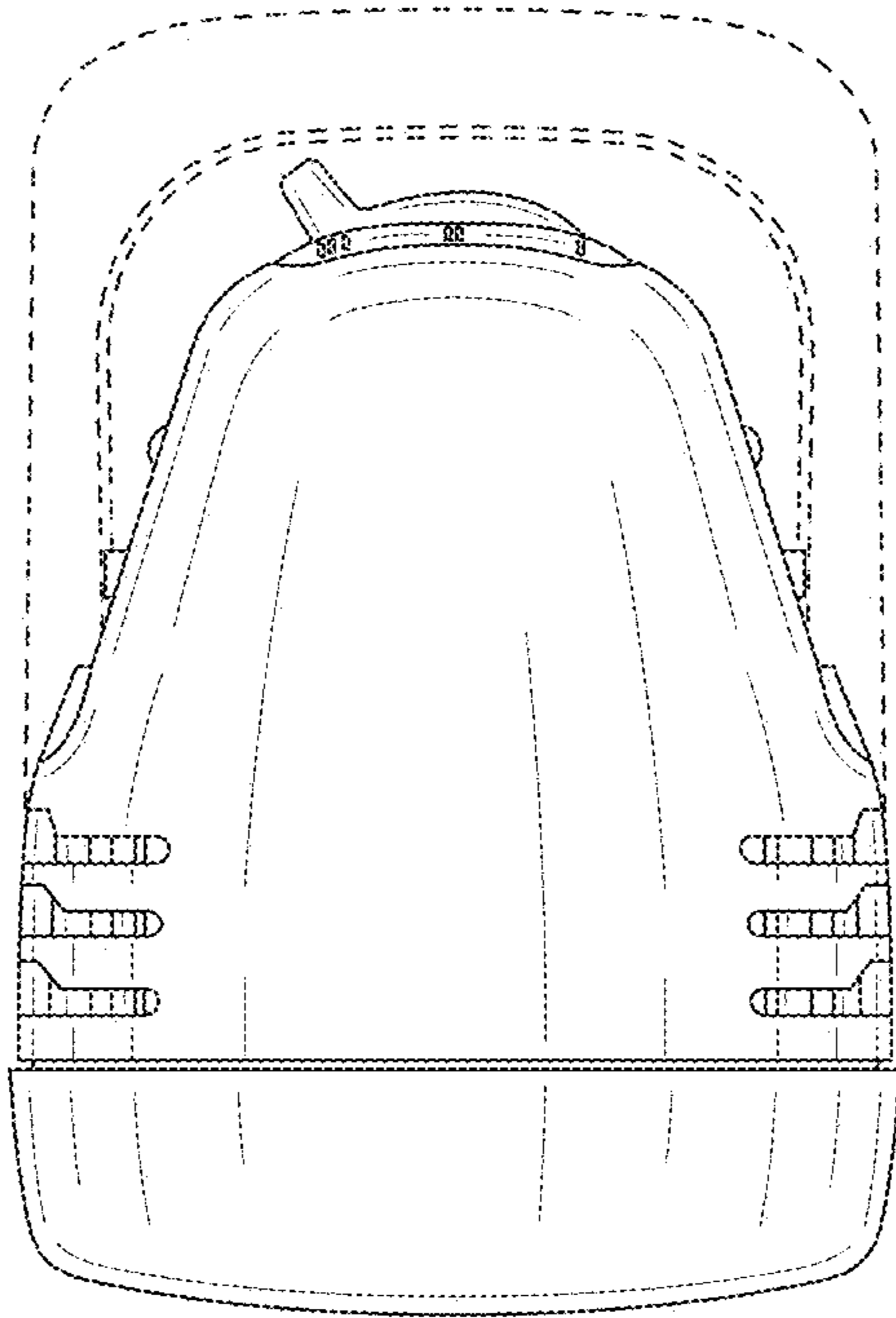
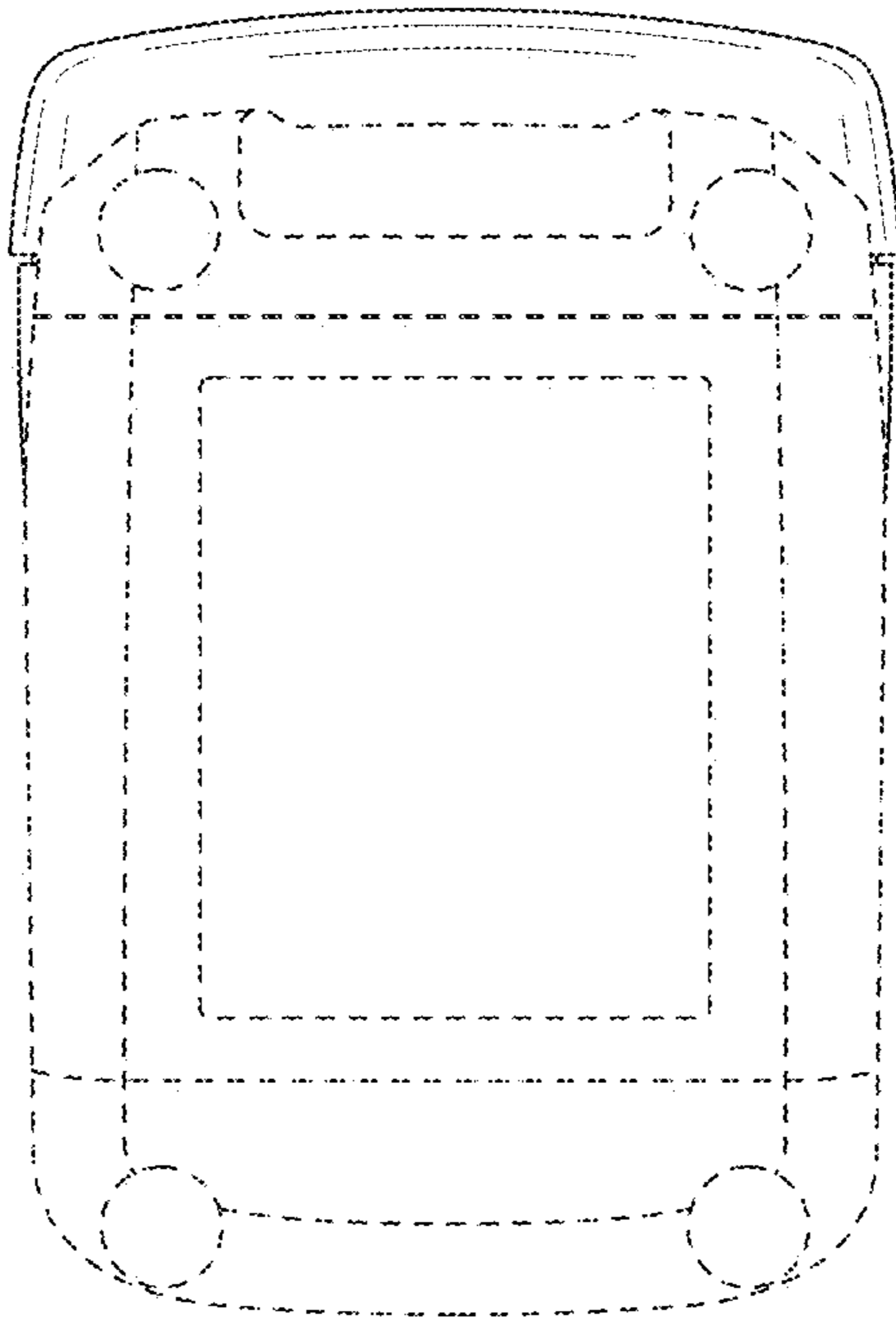


FIG. 5



**FIG. 6**



**FIG. 7**