



US00D880030S

(12) **United States Design Patent**
McNaughton

(10) **Patent No.:** **US D880,030 S**
(45) **Date of Patent:** **** Mar. 31, 2020**

(54) **GARBOARD THREADED PLUG AND PLAY
BOAT DRAIN LIGHT SYSTEM**

D770,065 S * 10/2016 Tittle D26/24
D783,191 S * 4/2017 Riffner D26/28
D840,064 S * 2/2019 Ramsey D26/28

(71) Applicant: **Patrick J. McNaughton**, Plymouth,
MN (US)

OTHER PUBLICATIONS

(72) Inventor: **Patrick J McNaughton**, Plymouth, MN
(US)

Boating Mag | Instant! Underwater Boat LED Light, posted on Nov.
15, 2018, © 2020 Boating Magazine [online], [site visited Jan. 5,
2020]. Available from Internet, <URL: <https://www.boatingmag.com/tidal-wake-instant-underwater-boat-LED-light/>>.*

(73) Assignee: **McNaughton Inc.**, Plymouth, MN (US)

* cited by examiner

(**) Term: **15 Years**

Primary Examiner — Philip S Hyder
Assistant Examiner — Cary M Robinson

(21) Appl. No.: **29/642,058**

(22) Filed: **Mar. 27, 2018**

(57) **CLAIM**

(51) **LOC (12) Cl.** **26-06**

The ornamental design of garboard threaded plug and play boat drain light system, substantially as shown and described.

(52) **U.S. Cl.**

USPC **D26/34**

(58) **Field of Classification Search**

USPC D12/86, 90–92, 114, 163, 169, 171–173,
D12/181, 190, 196, 197, 199, 317, 400;
D15/5; D23/260; D26/1, 24, 28–36, 56,
D26/104

CPC ... B62J 6/02; B62J 6/00; B60Q 3/0279; F21S
48/00; F21S 48/10; F21S 48/115; F21S
48/225; F21S 48/1233; F21S 48/1266;
F21S 48/1388; F21S 48/2268; F21V
21/04

See application file for complete search history.

DESCRIPTION

FIG. 1 is a view from the top left side of a garboard threaded plug and play boat drain light system showing my new design;

FIG. 2 is a Front view thereof;

FIG. 3 is a Back view thereof;

FIG. 4 is a Left view thereof;

FIG. 5 is a Right view thereof;

FIG. 6 is a top plan view thereof;

FIG. 7 is a bottom plan view thereof;

FIG. 8 is a Perspective view, thereof, showing the design in its environment connected to the garboard plug at the back of the water craft, and near an electrical source elsewhere within the water craft; and,

FIG. 9 is a perspective view of a portion of the article, showing the design in its environment connected to a standard threaded drain plug outlet on a water craft.

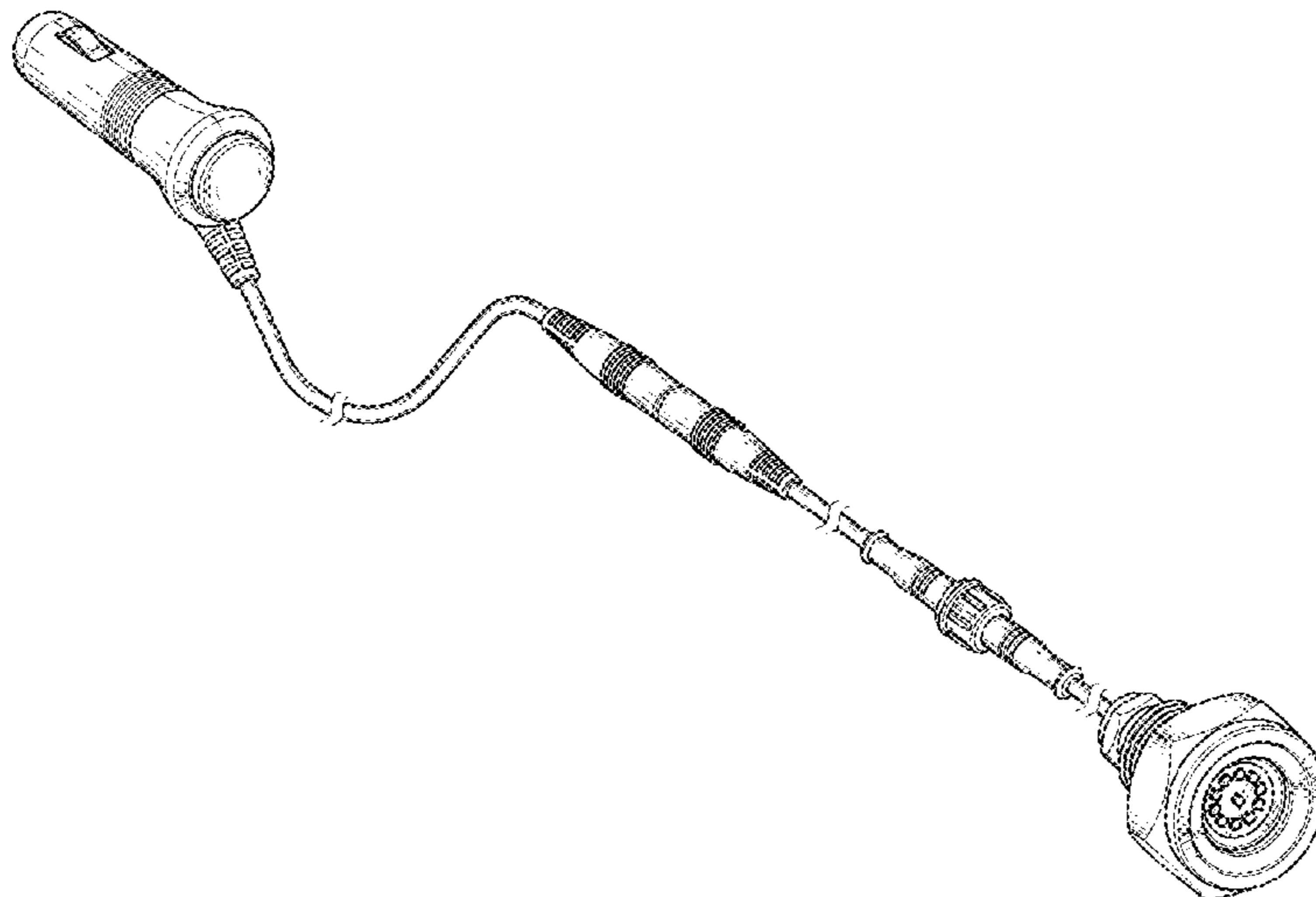
The broken line showing of garboard threaded plug and play boat drain light system is included for the purpose of illustrating the environment of the device and forms no part of the claimed design.

(56) **References Cited**

U.S. PATENT DOCUMENTS

3,049,088 A * 8/1962 Curtis B63B 13/00
114/197
D254,634 S * 4/1980 Ziaylek, Jr. D26/36
D341,142 S * 11/1993 Rogers D15/5
D451,468 S * 12/2001 Tobias D12/317
6,928,943 B1 * 8/2005 Neubauer B63B 13/00
114/197
D557,835 S * 12/2007 Anderson D26/28
9,079,637 B2 * 7/2015 Sarnowski B63B 13/02
D765,279 S * 8/2016 Hill D26/28

1 Claim, 8 Drawing Sheets



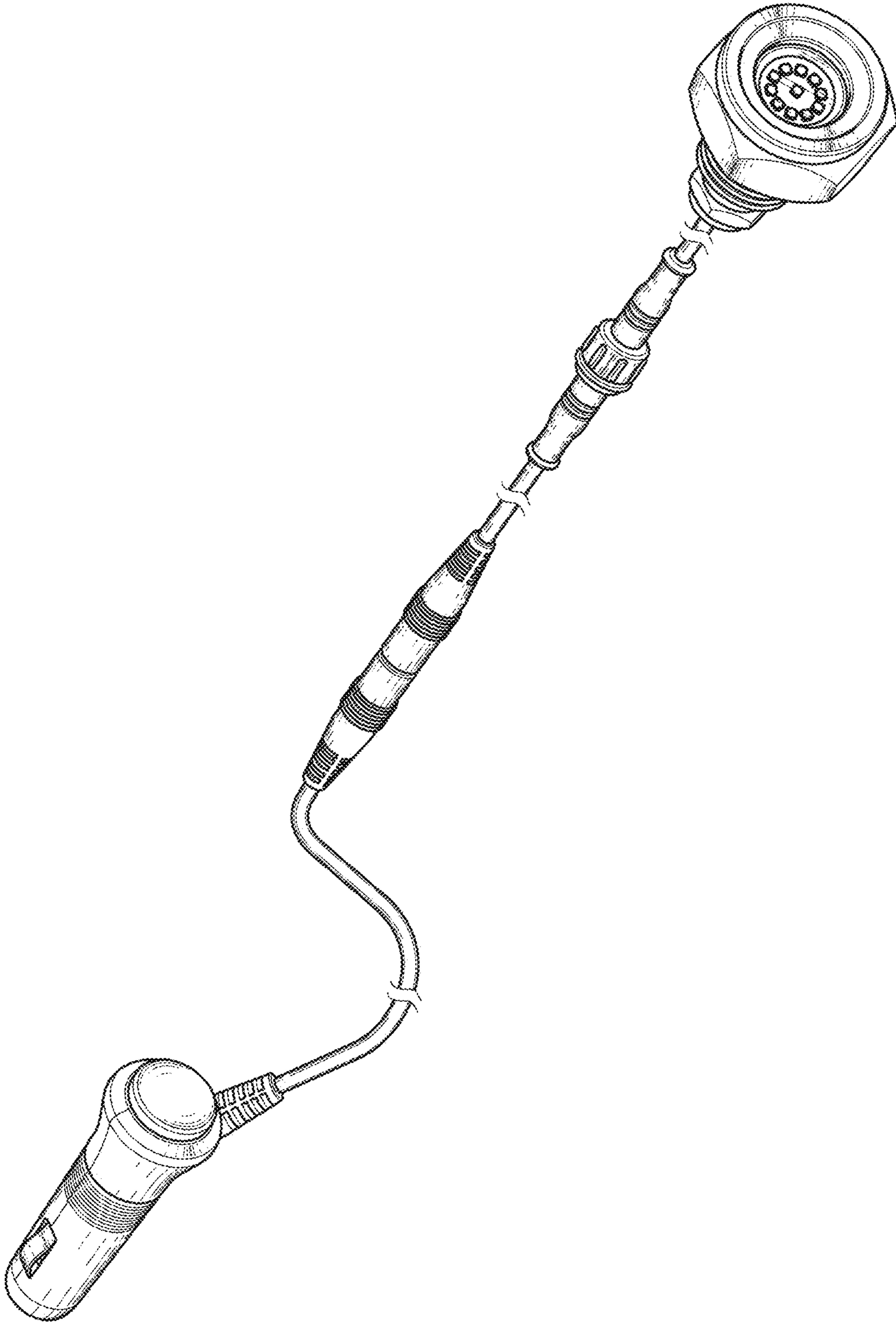


Fig. 1

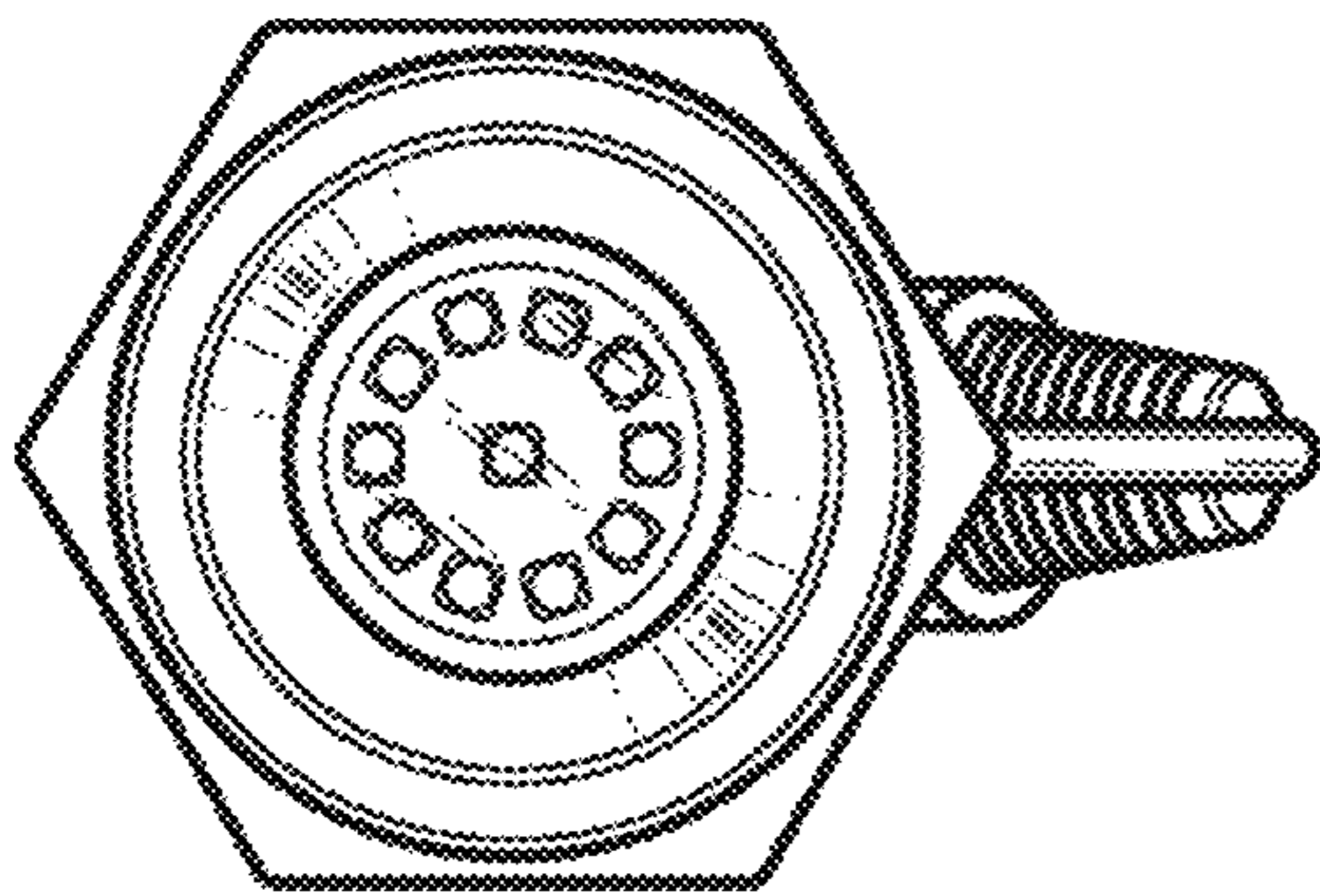


Fig. 2

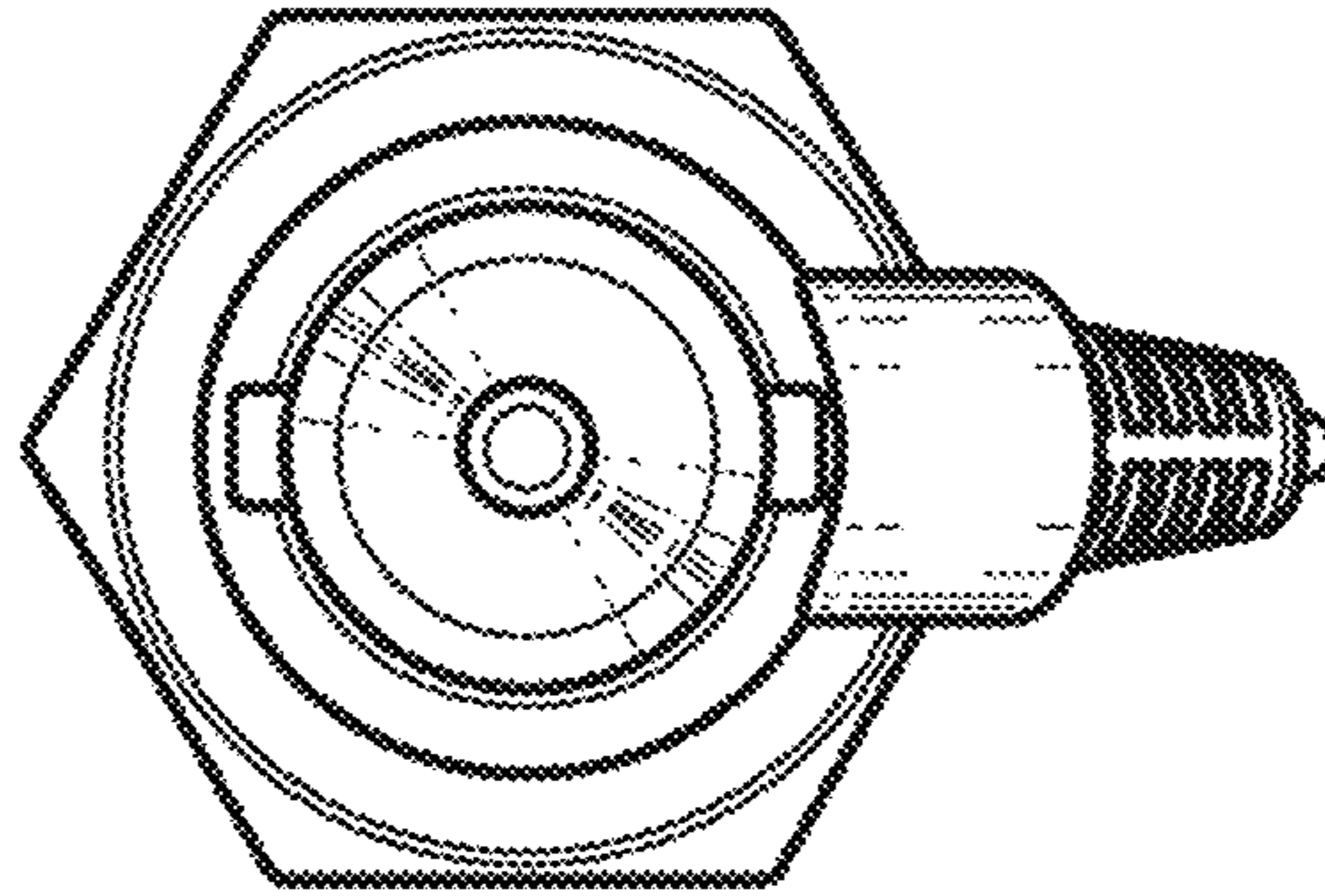


Fig. 3

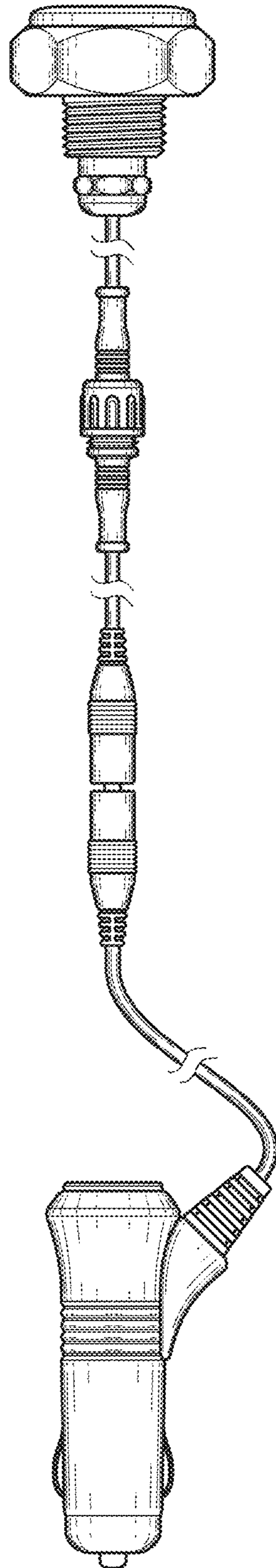


Fig. 4

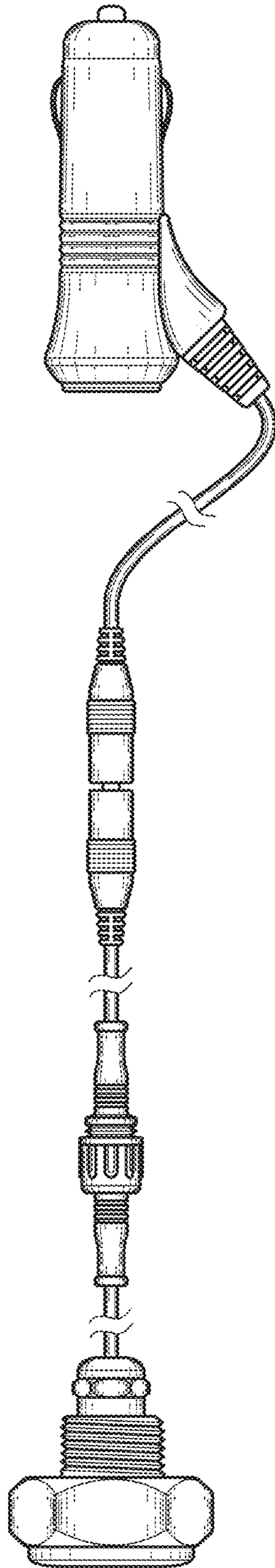


Fig. 5

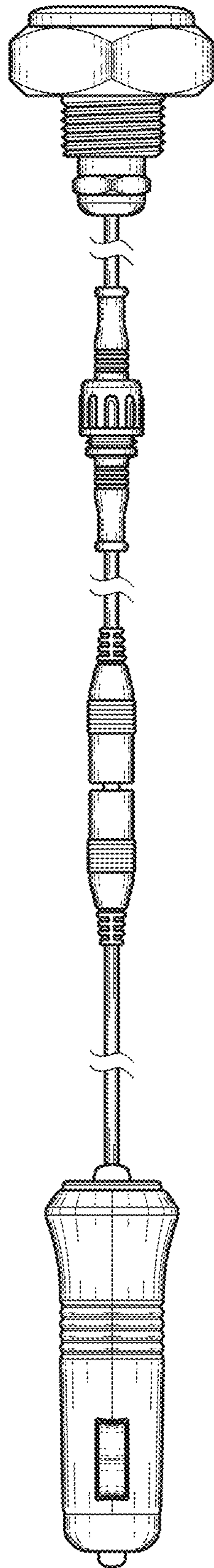


Fig. 6

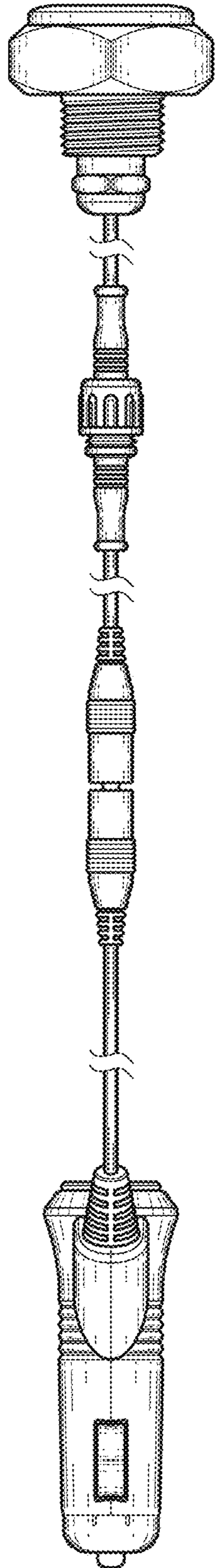


Fig. 7

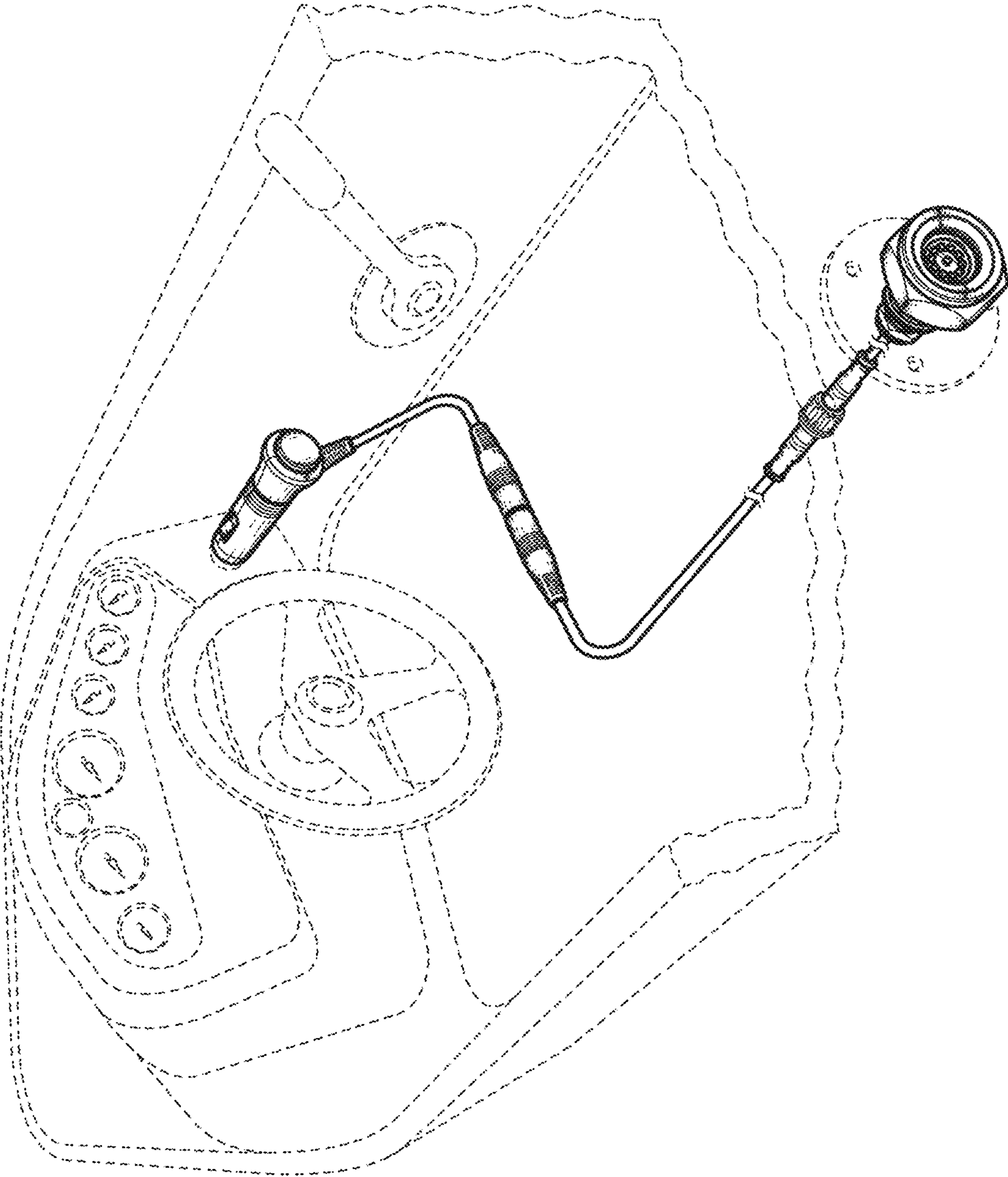


Fig. 8

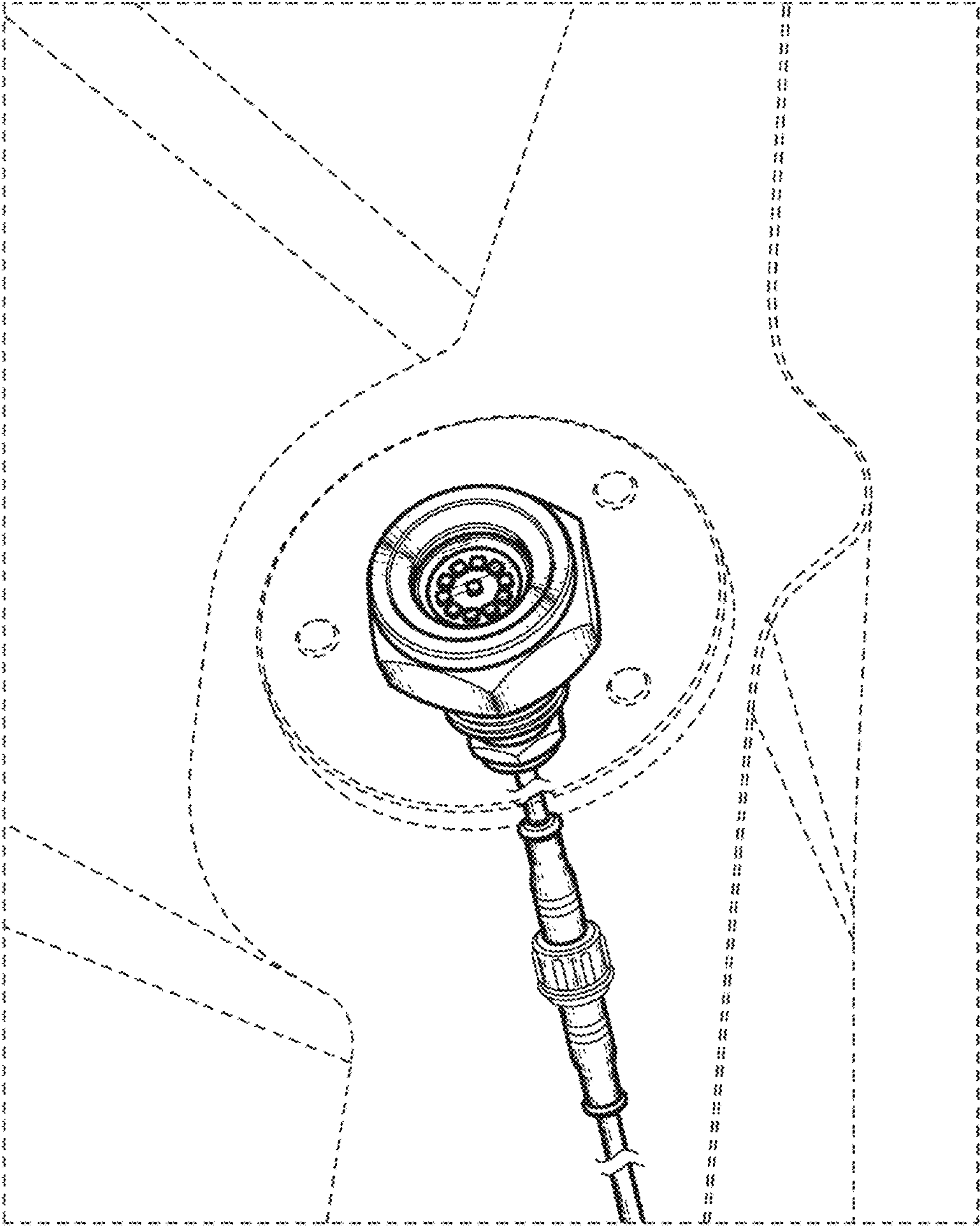


Fig. 9