



US00D880027S

(12) **United States Design Patent**
Horn et al.

(10) **Patent No.:** **US D880,027 S**
(45) **Date of Patent:** **** Mar. 31, 2020**

- (54) **SNOW PLOW HEADLAMP**
- (71) Applicant: **Douglas Dynamics, L.L.C.**,
Milwaukee, WI (US)
- (72) Inventors: **Christopher Aaron Horn**, Menomonee Falls, WI (US); **Seth Thomas Bergerud**, West Bend, WI (US); **Robert Douglas Clark**, Mequon, WI (US); **Michael Lee Frank**, Wauwatosa, WI (US); **Tyler Barron Jones**, Appleton, ME (US)
- (73) Assignee: **Douglas Dynamics, L.L.C.**,
Milwaukee, WI (US)

D672,070 S * 12/2012 Cohen D26/28
 D672,071 S * 12/2012 Cohen D26/28
 D672,072 S * 12/2012 Cohen D26/28

(**) Term: **15 Years**

(21) Appl. No.: **29/666,309**

(22) Filed: **Oct. 11, 2018**

(51) **LOC (12) Cl.** **26-06**

(52) **U.S. Cl.**
USPC **D26/28**

(58) **Field of Classification Search**
 USPC D26/28-36, 139
 CPC F21S 48/00; F21S 48/10; F21S 48/115;
 F21S 48/225; F21S 48/1233; F21S
 48/1266; F21S 48/1388; F21S 48/2268;
 F21V 21/04; B60Q 9/13; B60Q 9/135;
 B60Q 9/1375

See application file for complete search history.

(56) **References Cited**

U.S. PATENT DOCUMENTS

- D399,326 S 10/1998 Kelly
- 6,015,219 A 1/2000 Kelly
- D656,258 S * 3/2012 Georgitsis B60Q 1/0483
D26/31
- D672,069 S * 12/2012 Cohen D26/28

OTHER PUBLICATIONS

Jason Torchinsky, A Tribute To The Most Un-Appreciated Light: The Cornering Light, Aug. 21, 2014.

* cited by examiner

Primary Examiner — Marcus A Jackson
(74) *Attorney, Agent, or Firm* — Wood Herron & Evans LLP

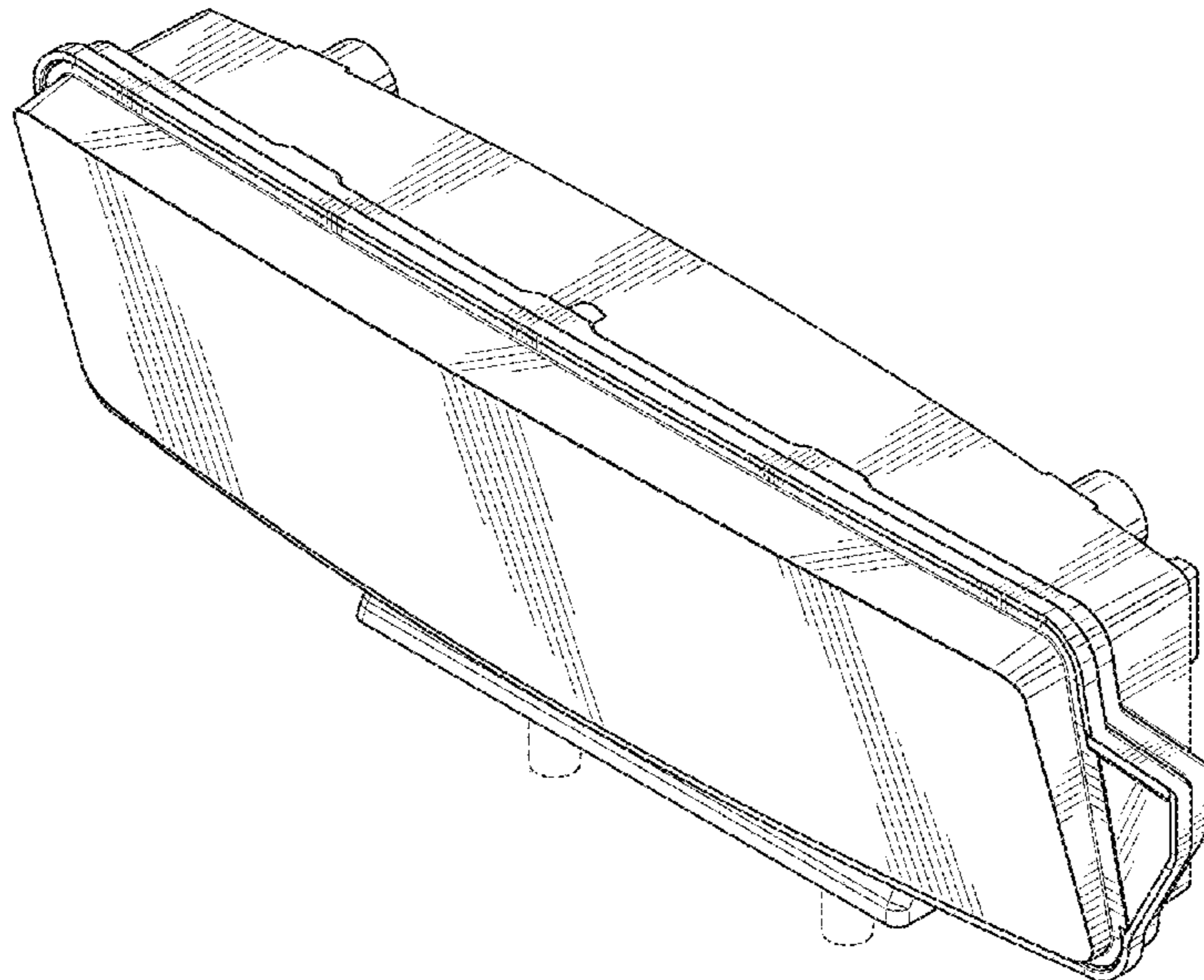
(57) **CLAIM**

The ornamental design for a snow plow headlamp, as shown and described.

DESCRIPTION

FIG. 1 is a top front right perspective view of my new, original and ornamental design for a snow plow headlamp. FIG. 2 is a top rear right perspective view thereof. FIG. 3 is a front view thereof. FIG. 4 is a left side view thereof. FIG. 5 is a right side view thereof. FIG. 6 is a back view thereof. FIG. 7 is a top view thereof. FIG. 8 is a bottom view thereof. FIG. 9 is a top front right perspective view of an alternative embodiment of my new, original and ornamental design for a snow plow headlamp. FIG. 10 is a front view thereof. FIG. 11 is a left side view thereof. FIG. 12 is a right side view thereof. FIG. 13 is a top view thereof; and, FIG. 14 is a bottom view thereof. The broken lines illustrate environment and/or unclaimed boundaries and/or unclaimed features, are for illustrative purposes only, and form no part of the claimed design.

1 Claim, 10 Drawing Sheets



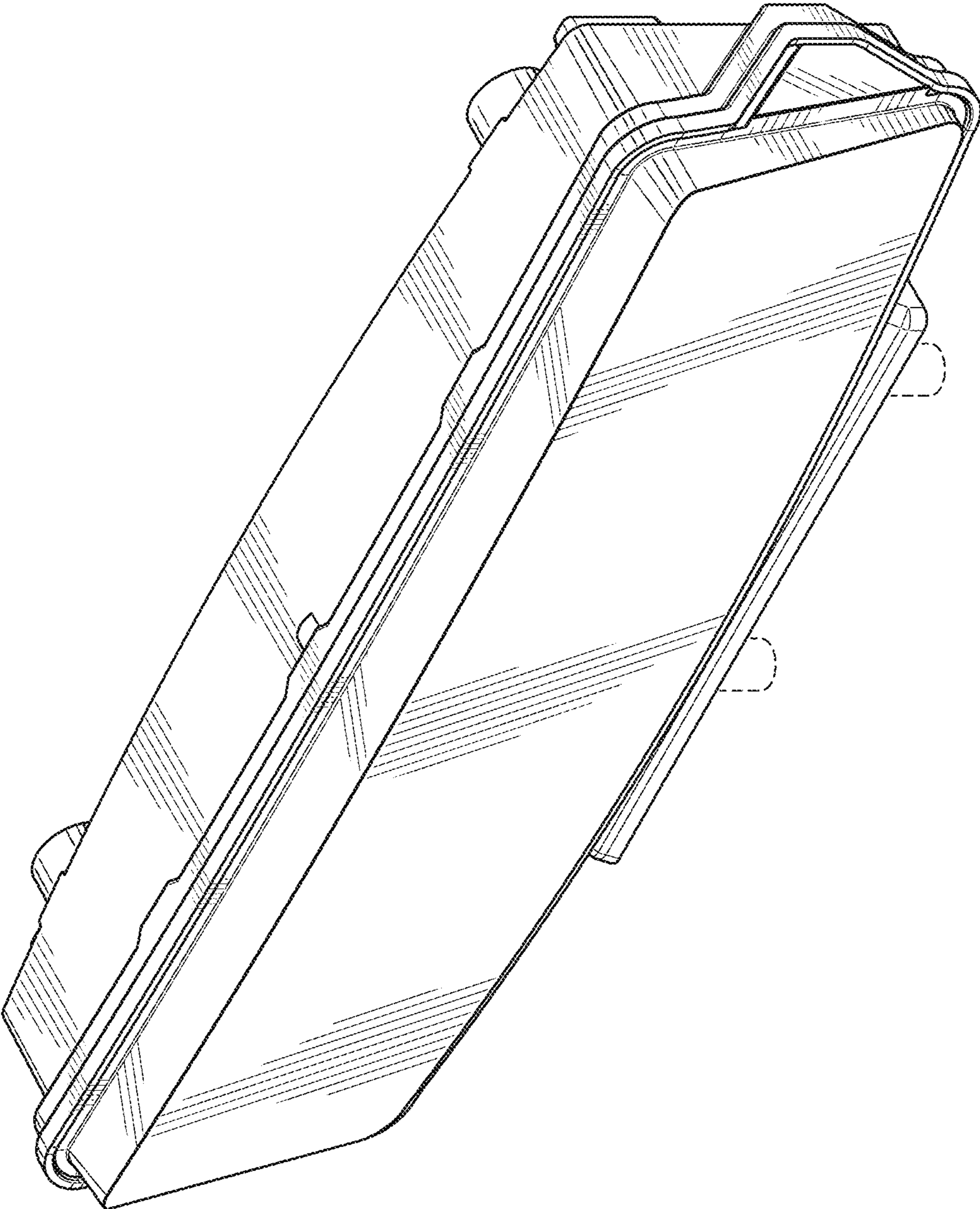


FIG. 1

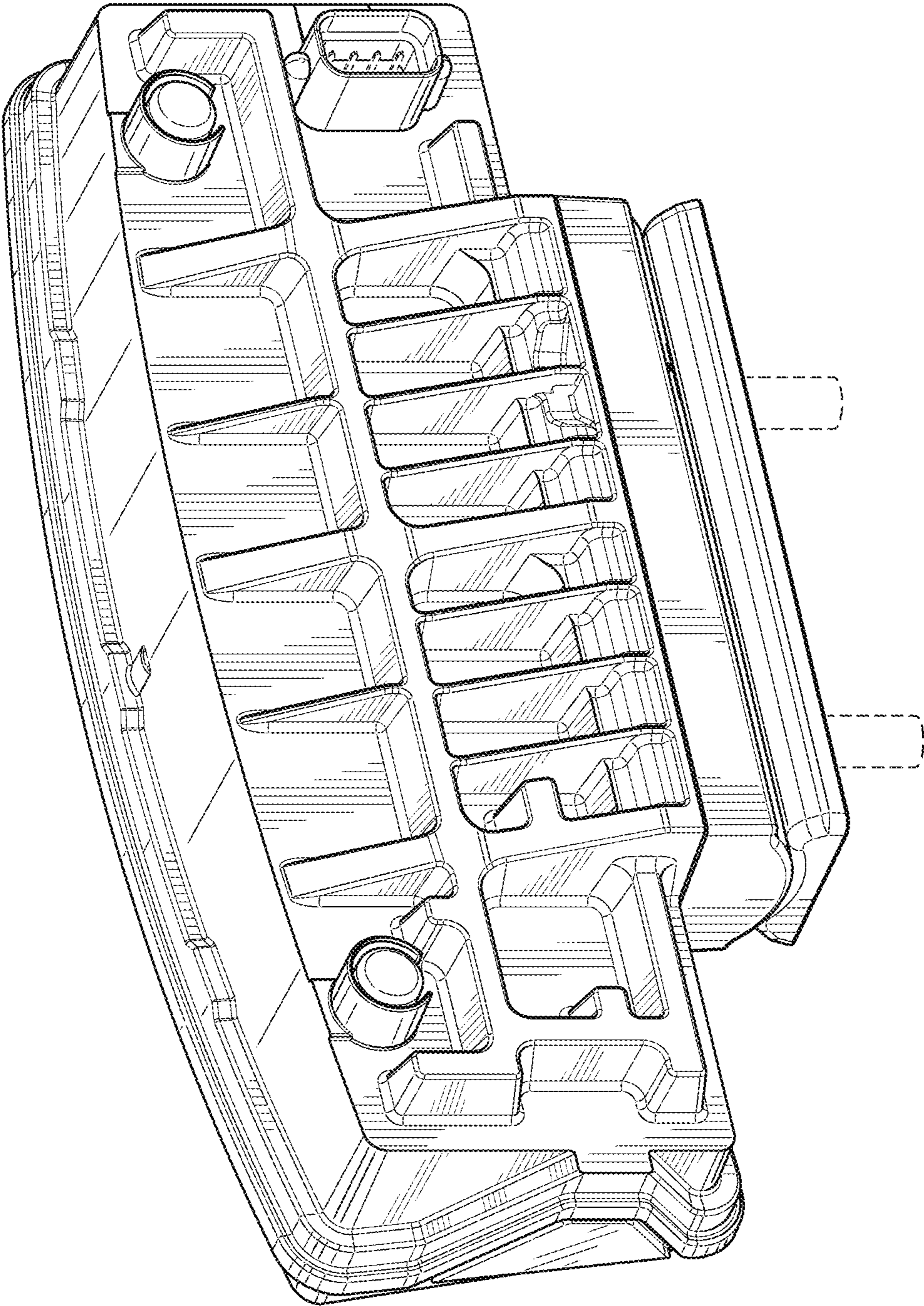


FIG. 2

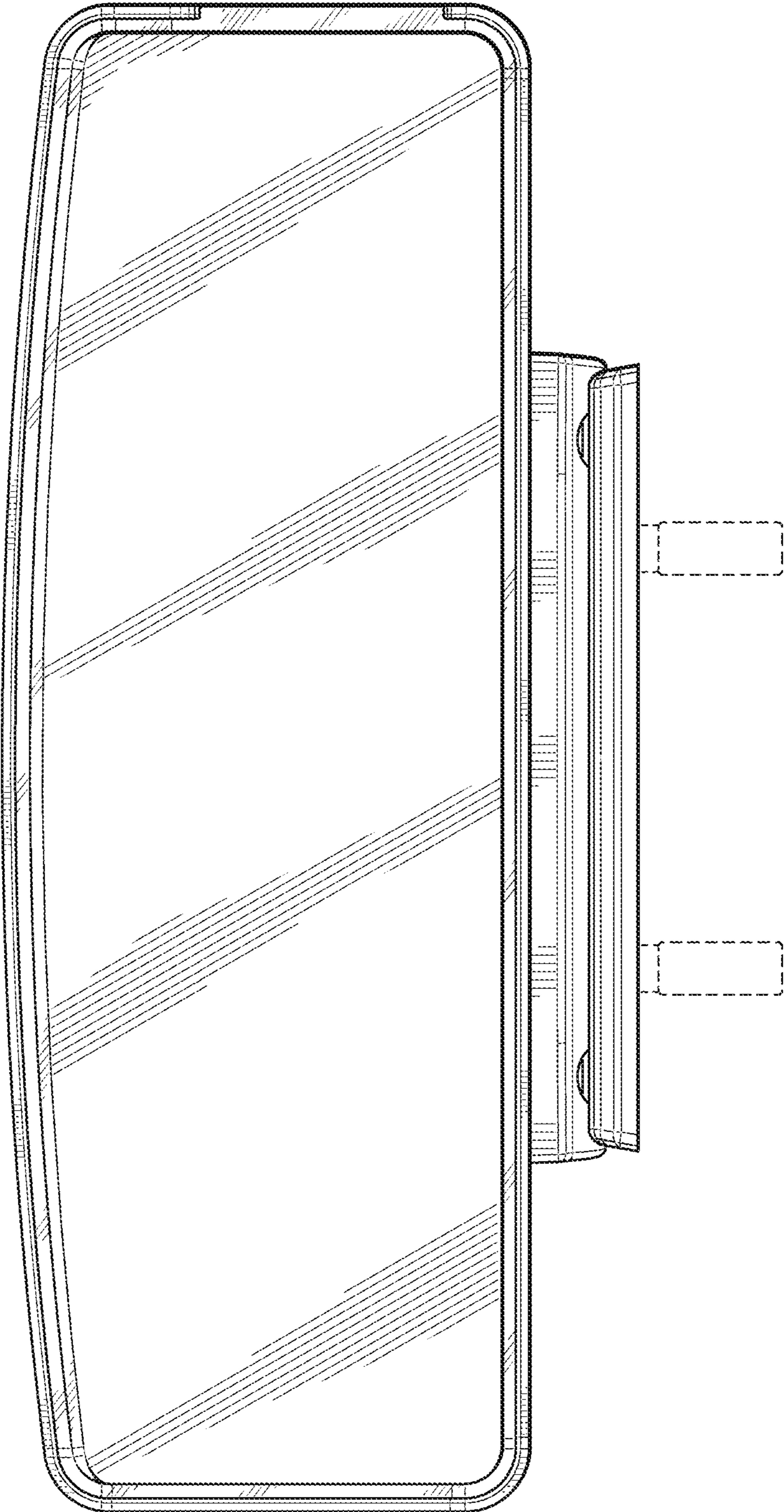


FIG. 3

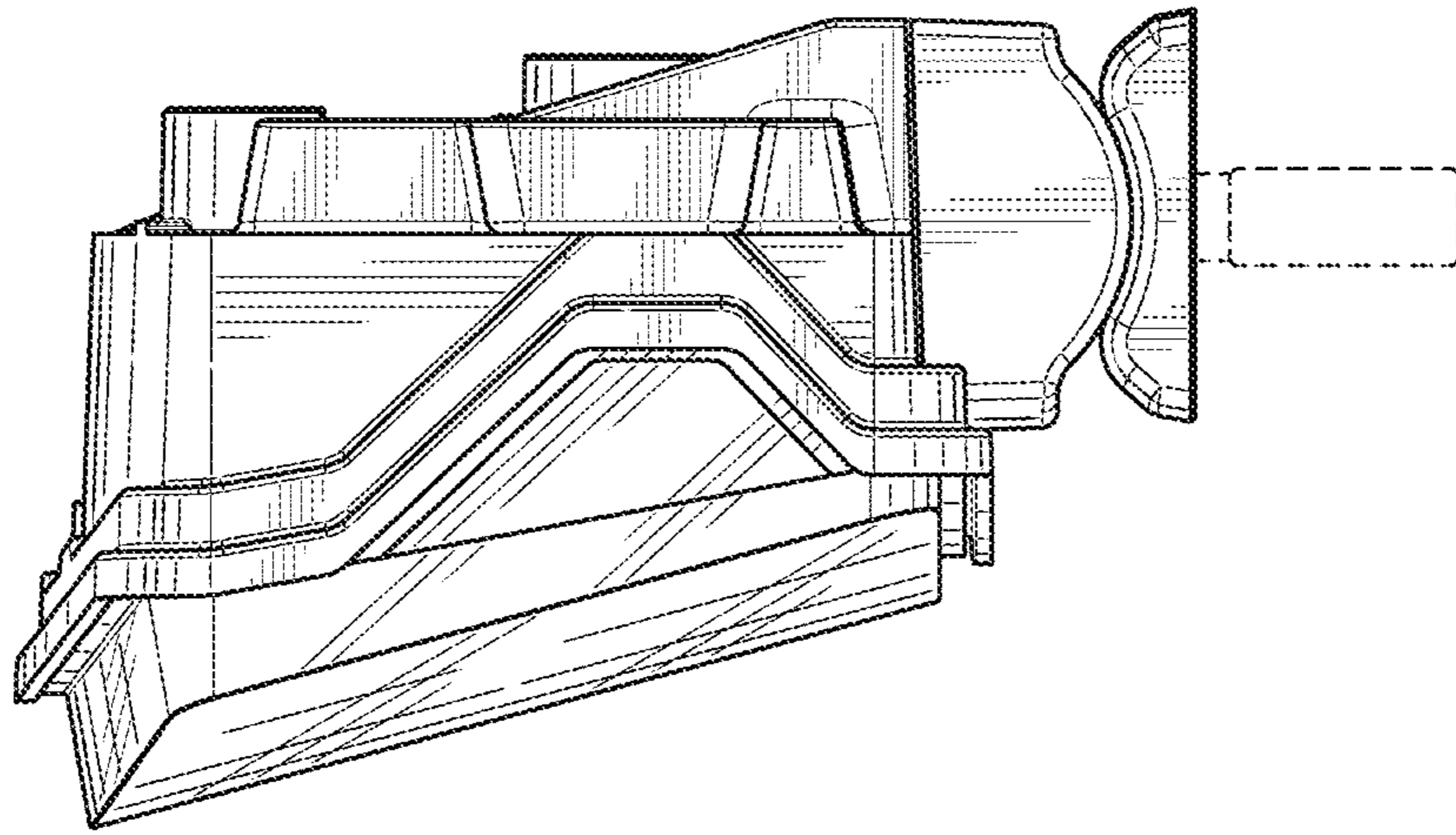


FIG. 5

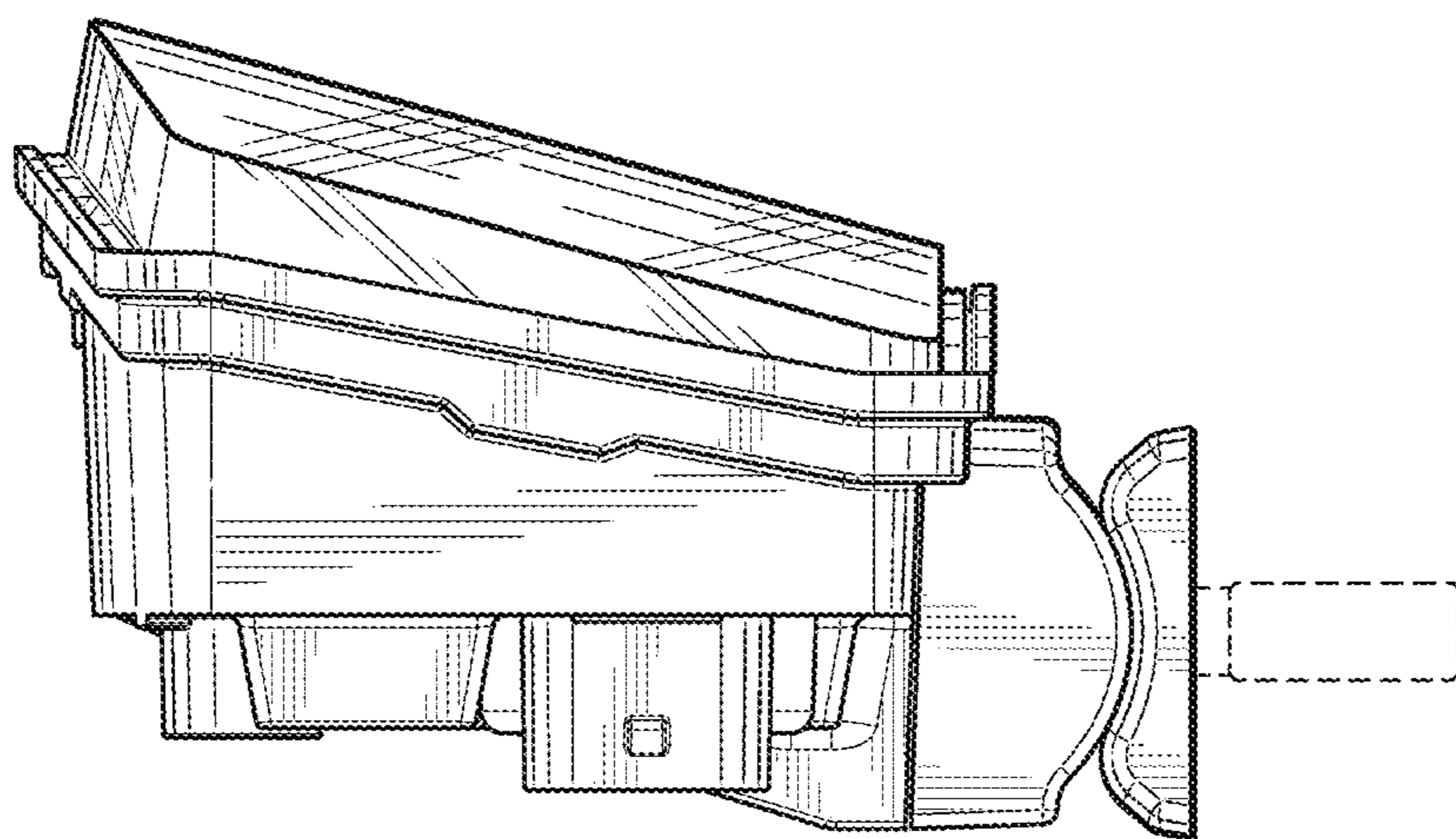


FIG. 4

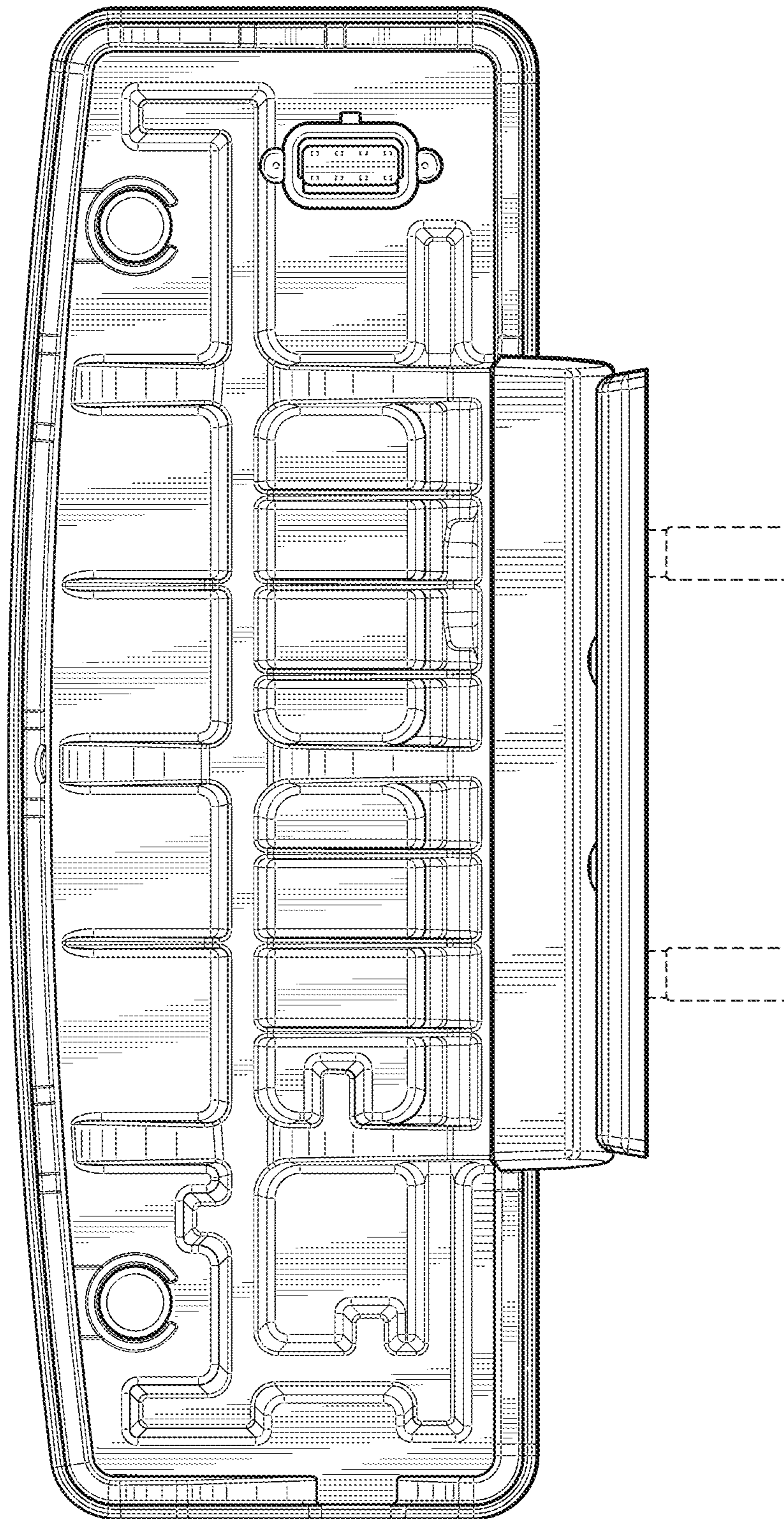


FIG. 6

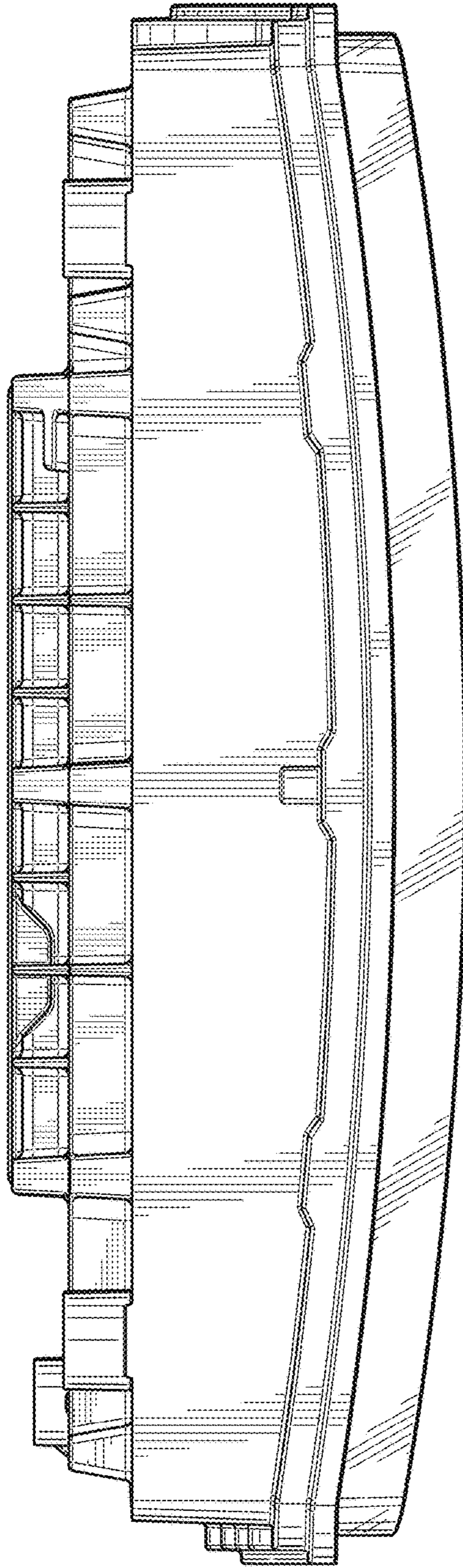


FIG. 7

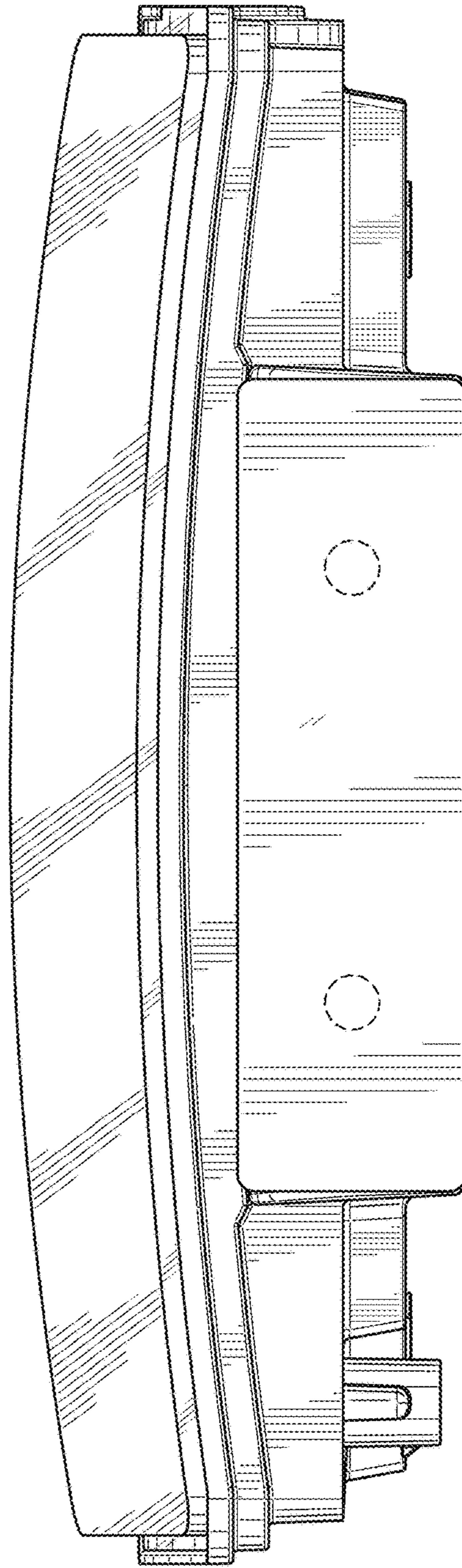


FIG. 8

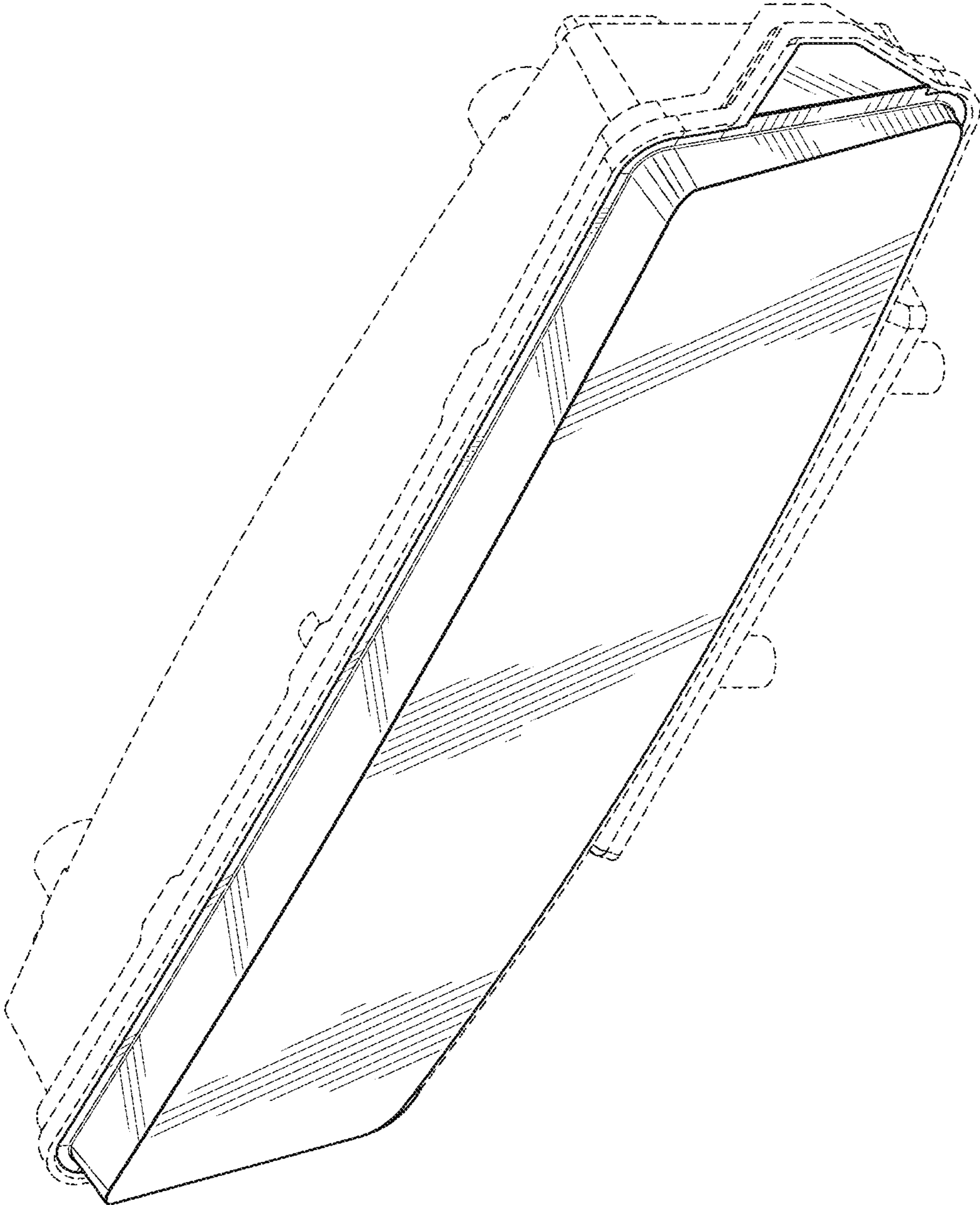


FIG. 9

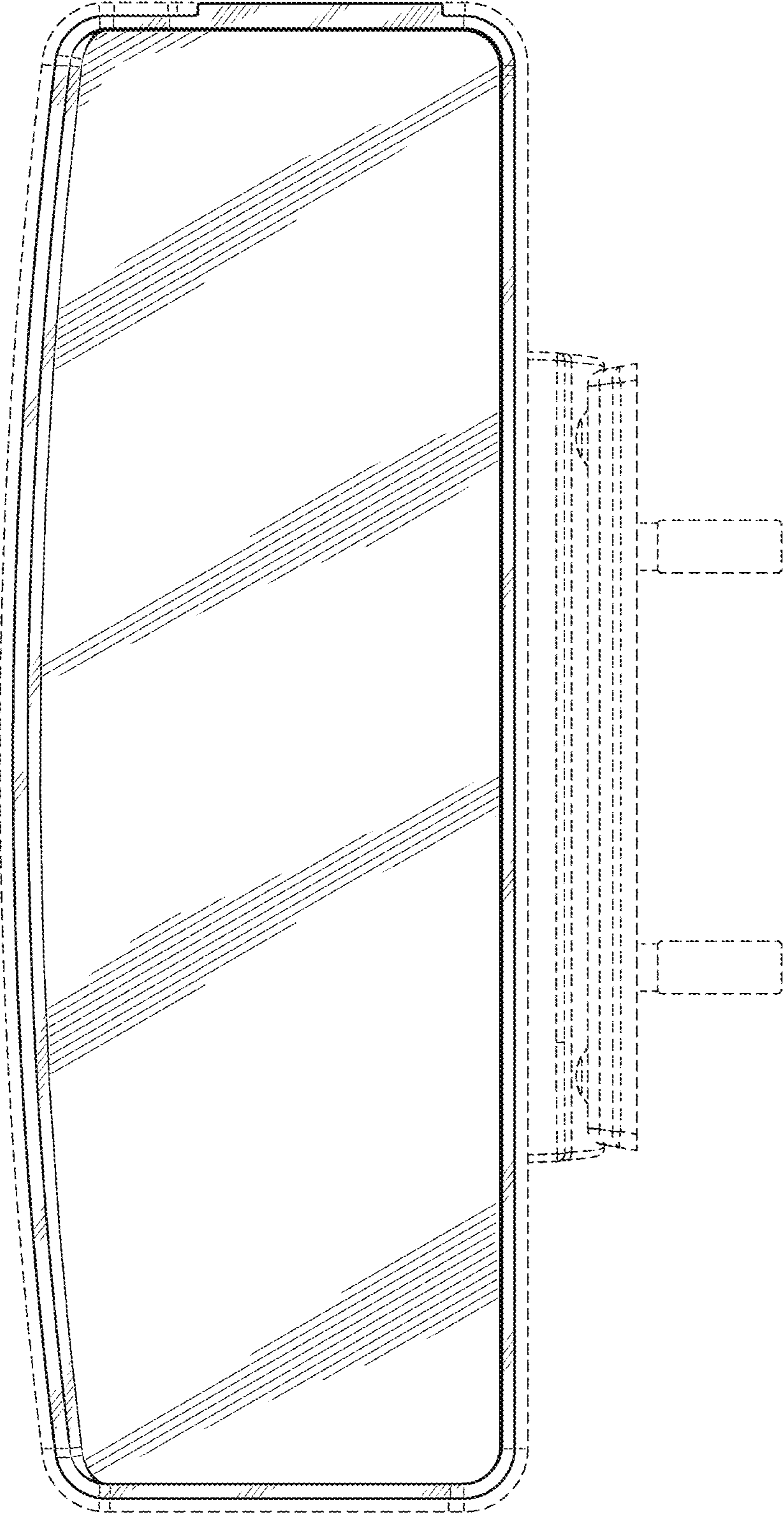


FIG. 10

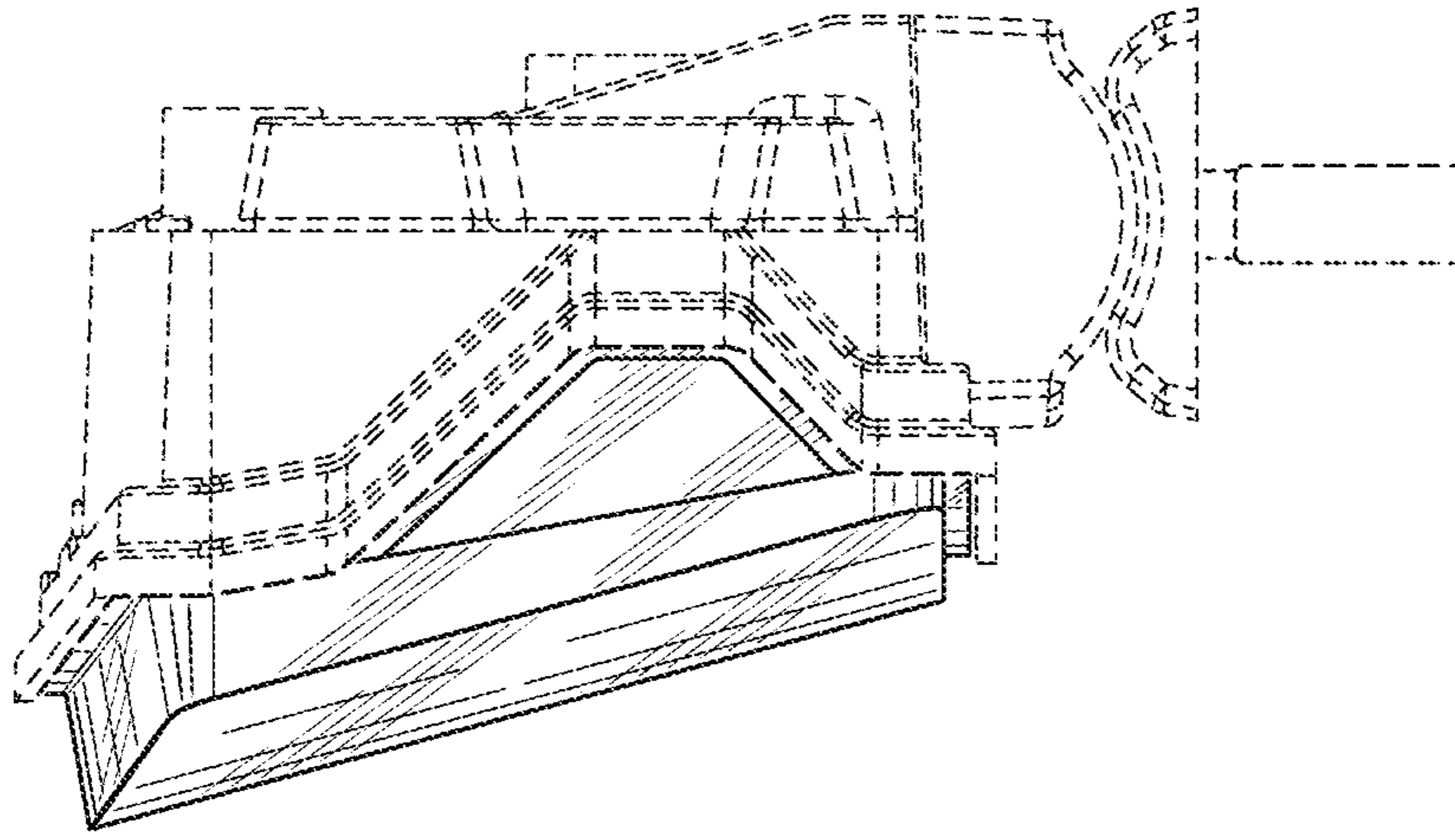


FIG. 11

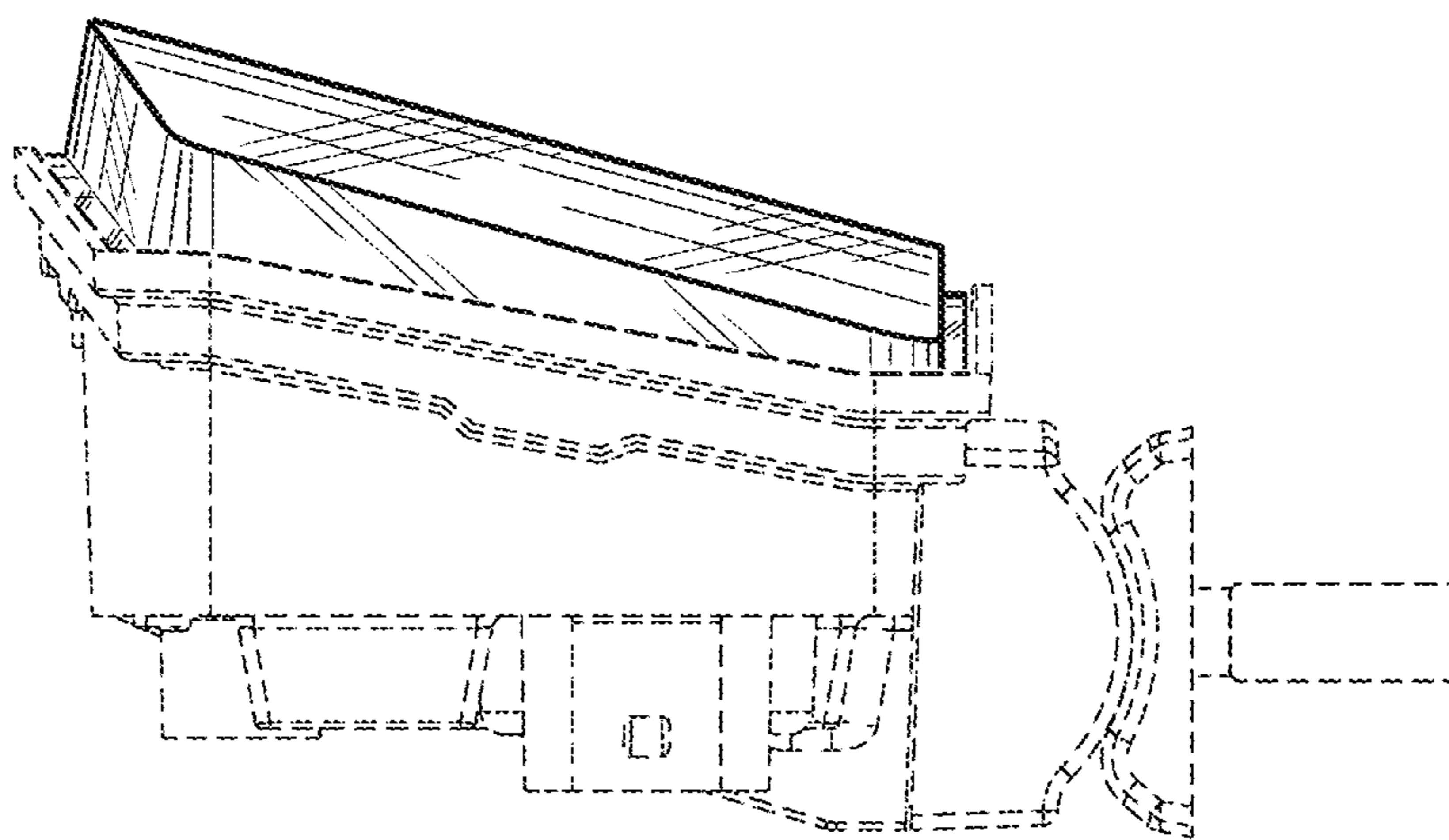


FIG. 12

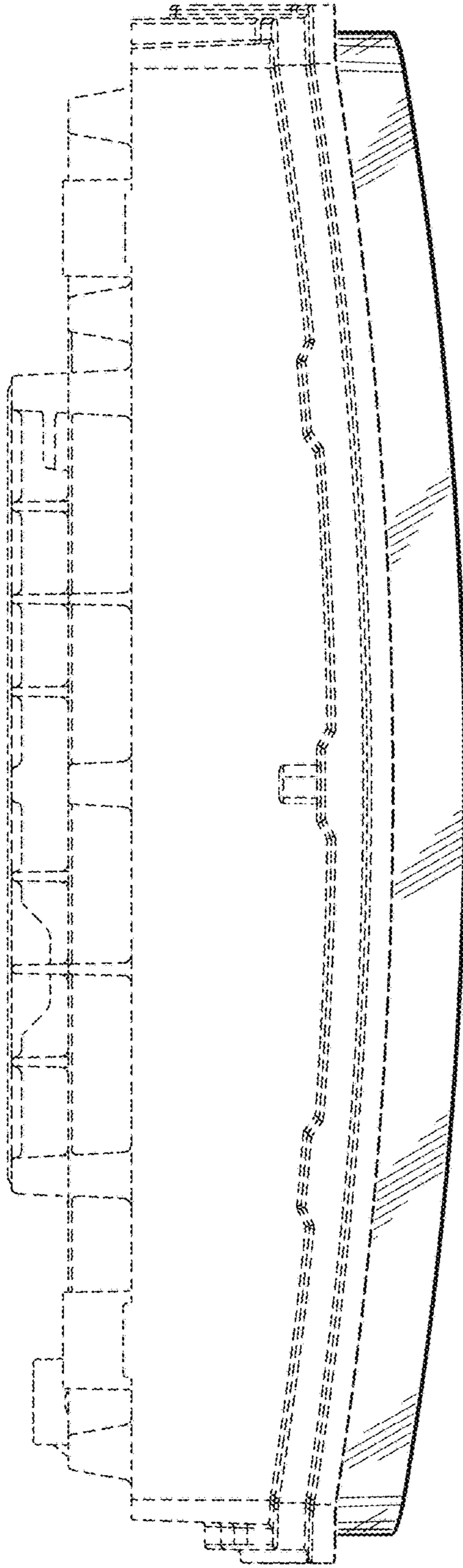


FIG. 13

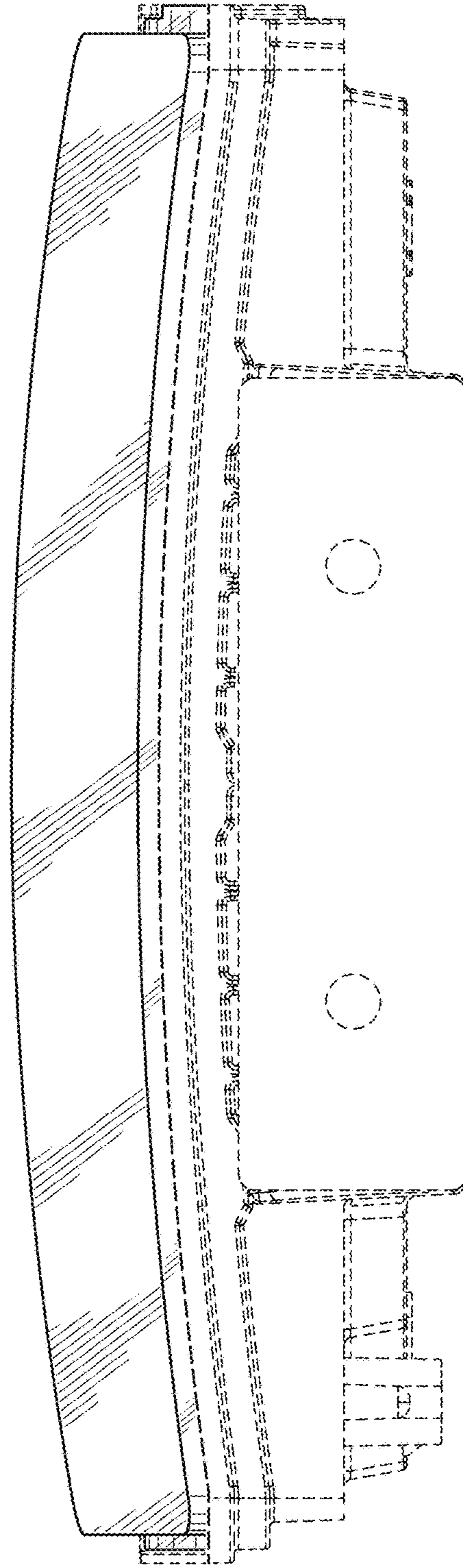


FIG. 14