



US00D880022S

(12) **United States Design Patent**  
**Gong**

(10) **Patent No.:** **US D880,022 S**

(45) **Date of Patent:** **\*\* Mar. 31, 2020**

(54) **STRING LIGHTS**

*Primary Examiner* — Brian N. Vinson

(71) Applicant: **Yu Gong**, Xinyu (CN)

(72) Inventor: **Yu Gong**, Xinyu (CN)

(\*\*) Term: **15 Years**

(21) Appl. No.: **29/716,241**

(22) Filed: **Dec. 9, 2019**

(51) **LOC (12) Cl.** ..... **26-02**

(52) **U.S. Cl.**  
USPC ..... **D26/25**

(58) **Field of Classification Search**

USPC ..... D26/1, 24, 25, 27, 37, 39, 113, 118  
CPC .... F21S 4/10; F21S 4/002; F21S 4/005; F21S  
4/007; G02B 6/0006; G02B 6/0008;  
G02B 6/4298; G02B 6/001; F21Y  
2101/02; F21K 9/00; A44C 15/0015;  
F21V 33/008; A01G 5/04

See application file for complete search history.

(56) **References Cited**

**U.S. PATENT DOCUMENTS**

D457,666 S	5/2002	Sehl	
D477,425 S *	7/2003	Gordon	D26/25
D778,468 S	2/2017	van der Lande	
D825,793 S *	8/2018	Lentz	D26/25
D862,749 S *	10/2019	Finch	D26/25
D874,692 S *	2/2020	Dai	D26/25

\* cited by examiner

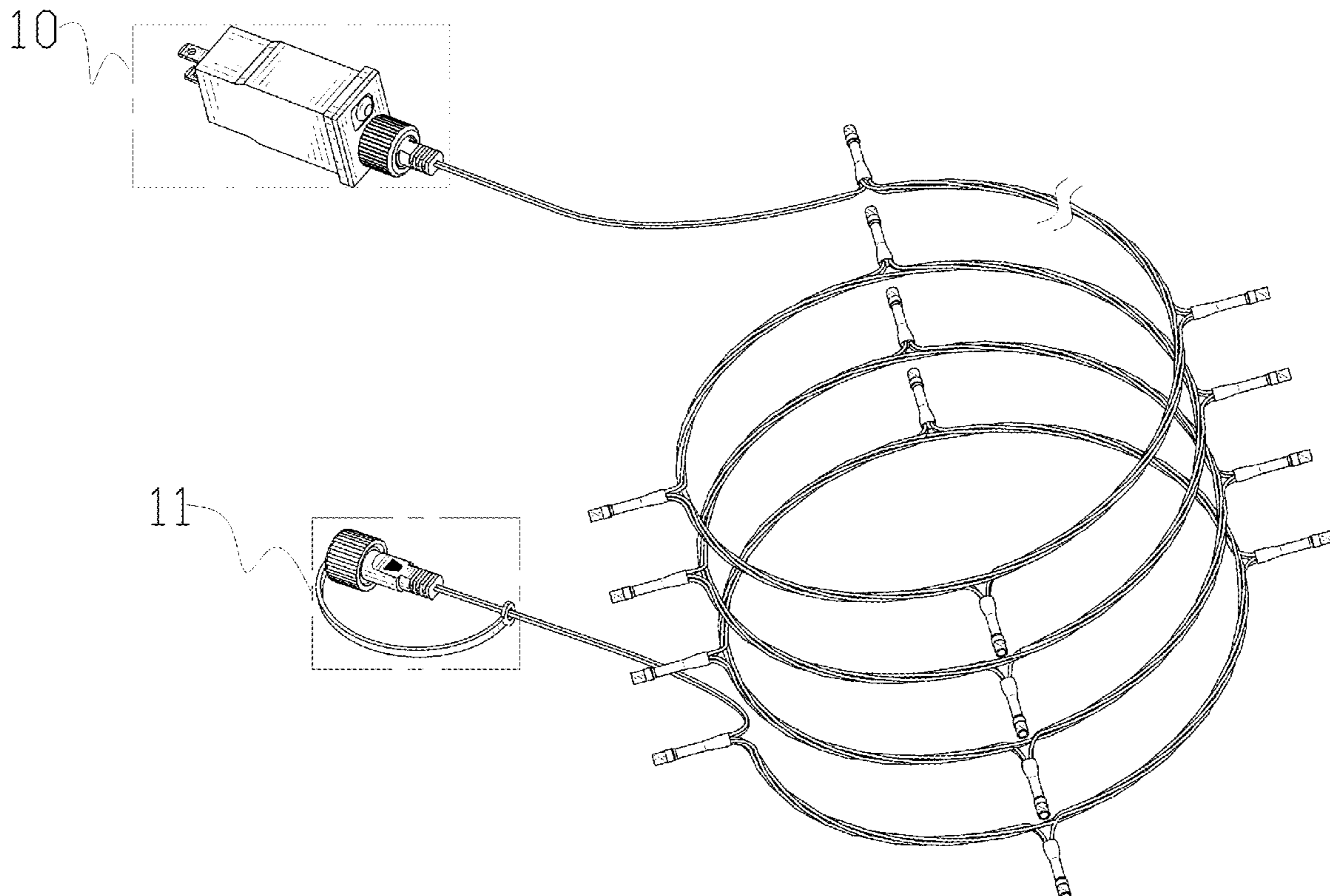
(57) **CLAIM**

The ornamental design for string lights, as shown and described.

**DESCRIPTION**

FIG. 1 is a perspective view of string lights showing my new design;  
 FIG. 2 is another perspective view thereof;  
 FIG. 3 is a front elevational view thereof;  
 FIG. 4 is a rear elevational view thereof;  
 FIG. 5 is a left side elevational view thereof;  
 FIG. 6 is a right side elevational view thereof;  
 FIG. 7 is a top plan view thereof;  
 FIG. 8 is a bottom plan view thereof;  
 FIG. 9 is an exploded perspective view of the string lights;  
 FIG. 10 is an enlarged view of portion 10 shown in FIG. 1;  
 FIG. 11 is an enlarged view of portion 11 shown in FIG. 1;  
 FIG. 12 is an enlarged view of portion 12 shown in FIG. 2;  
 and,  
 FIG. 13 is an enlarged view of portion 13 shown in FIG. 3.  
 The string lights are shown with a symbolic break in its length and the appearance of any portion of the string lights between the break lines form no part of the claimed design. The broken lines in the drawings depict portions of the string lights that form no part of the claimed design.

**1 Claim, 13 Drawing Sheets**



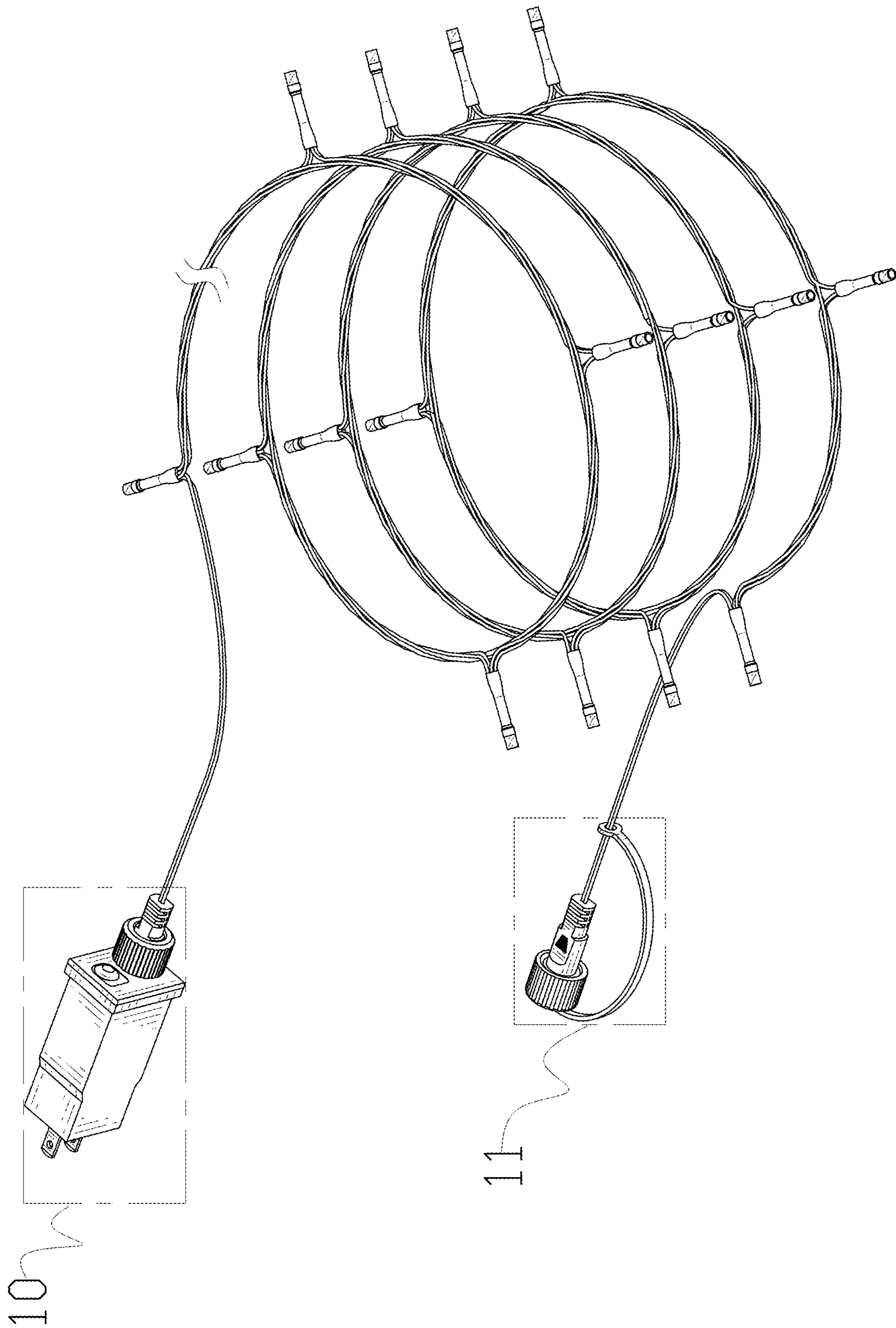


FIG. 1

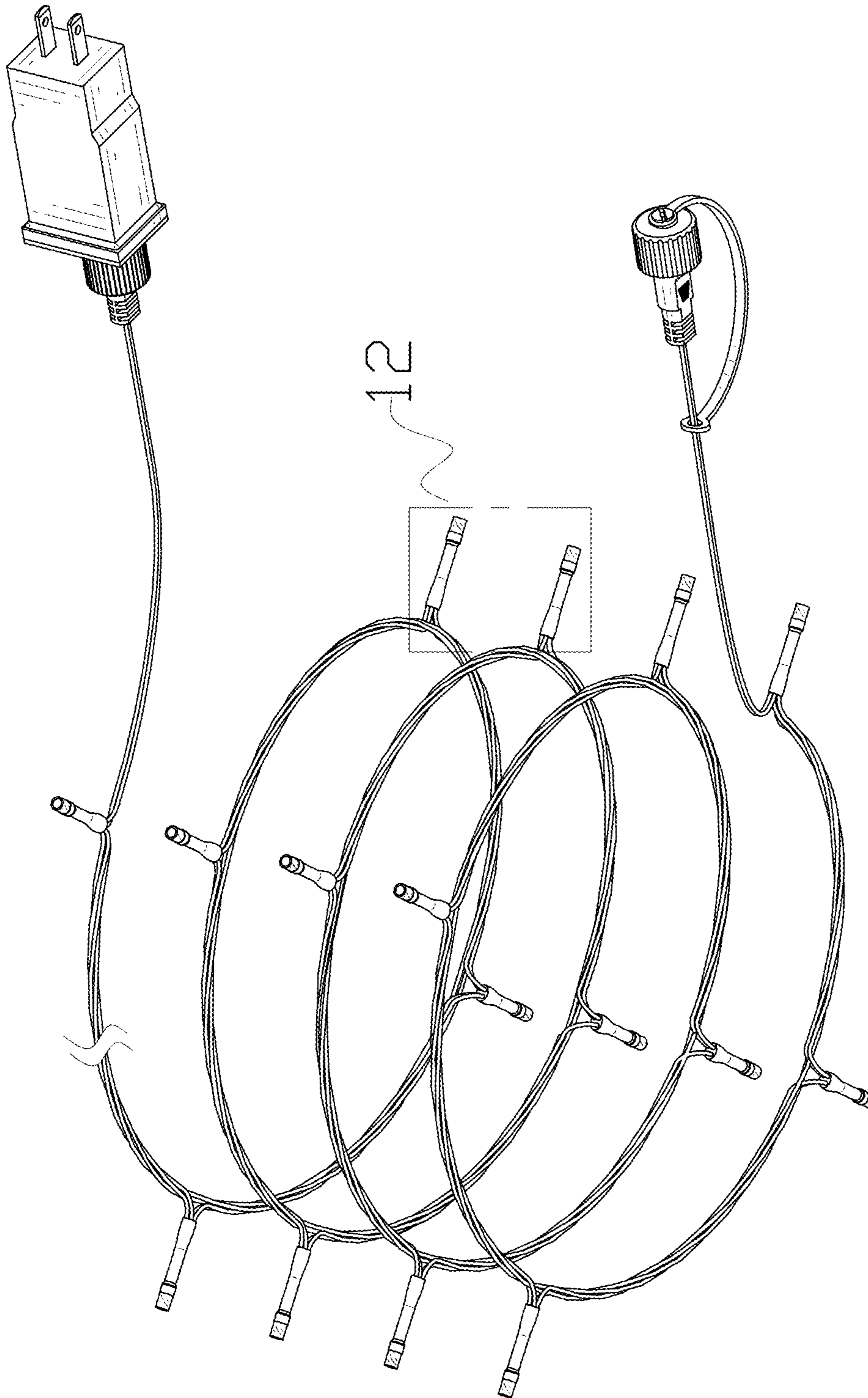


FIG. 2



FIG. 3

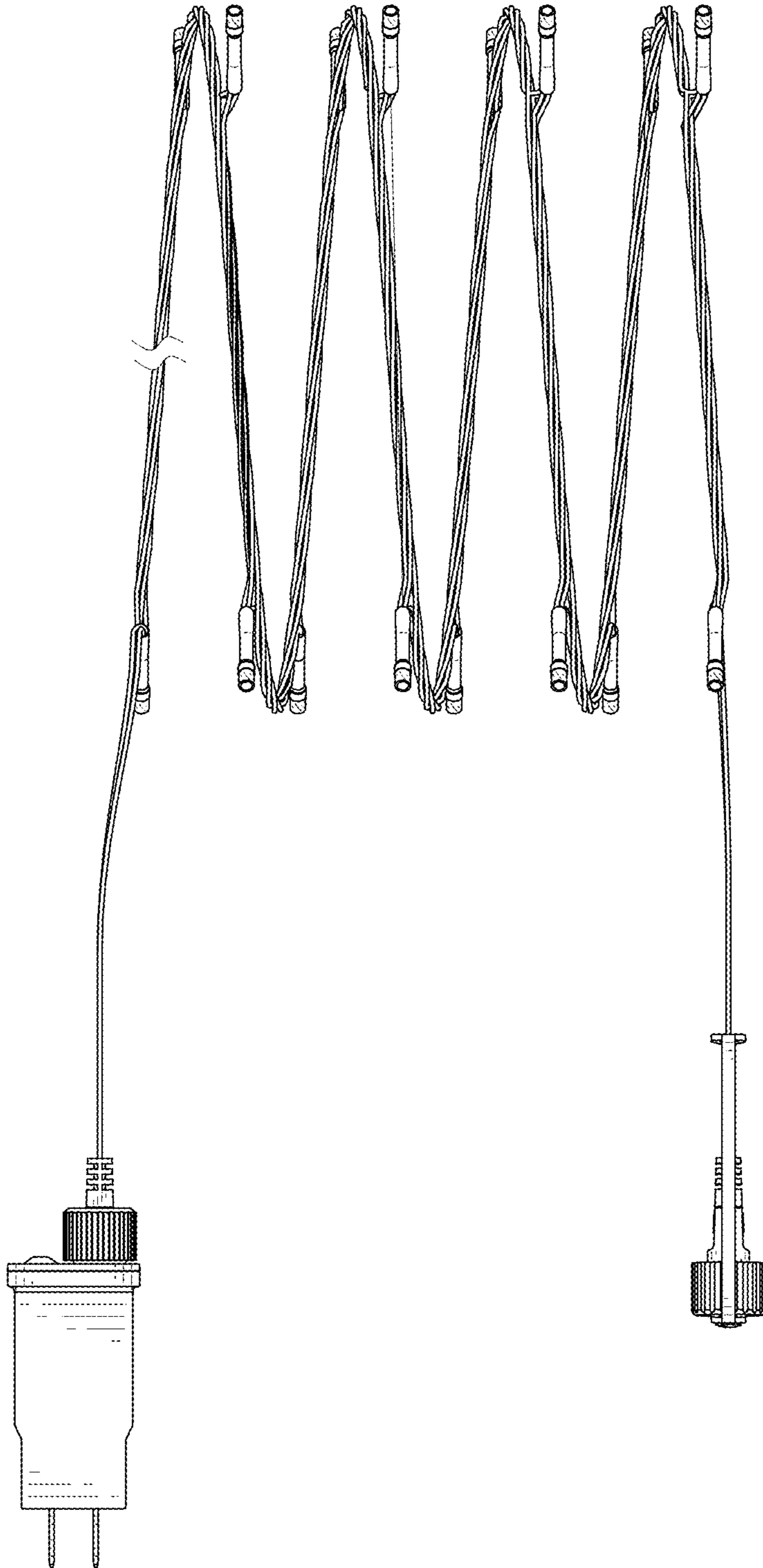


FIG. 4

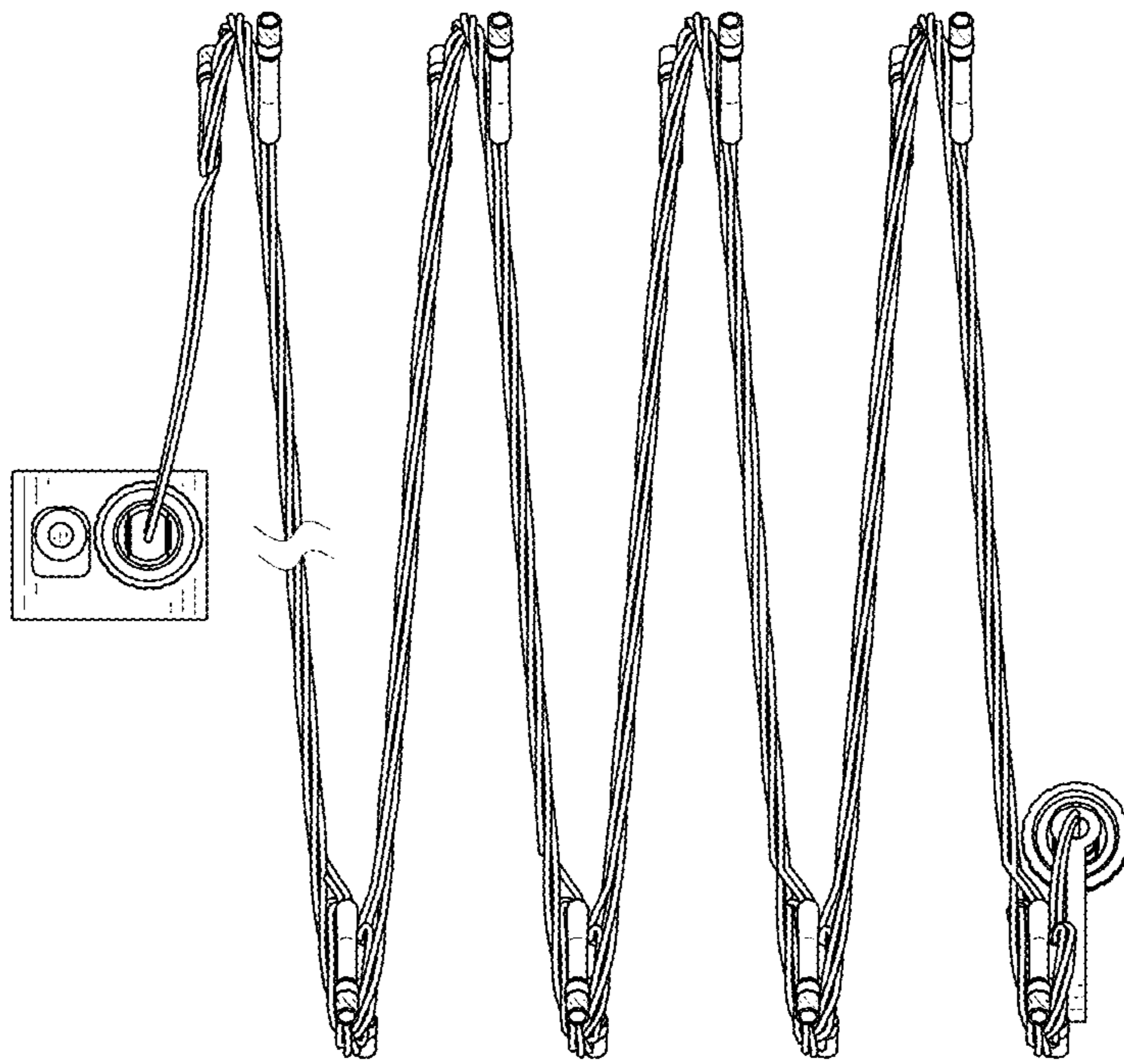


FIG. 5

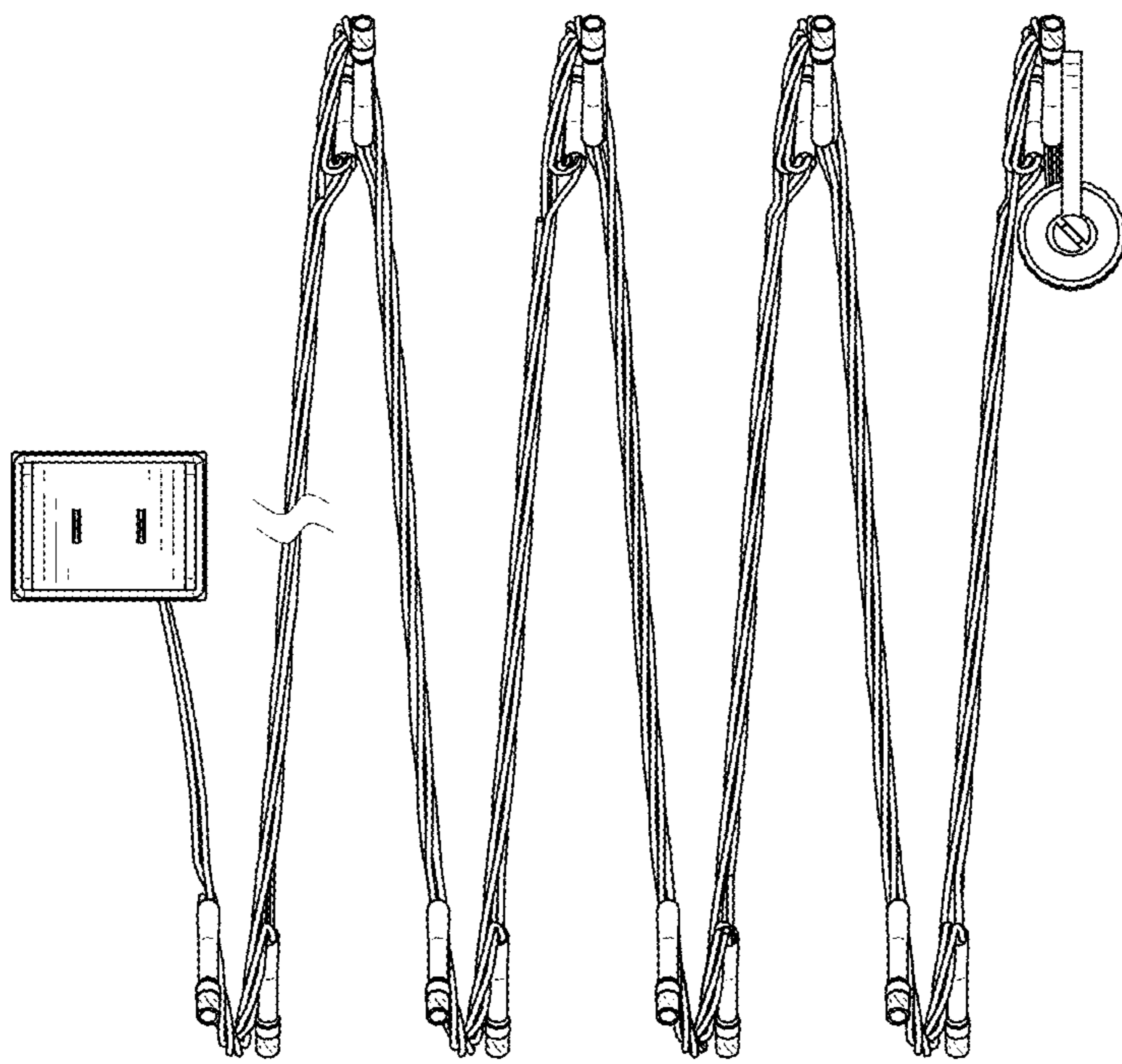


FIG. 6

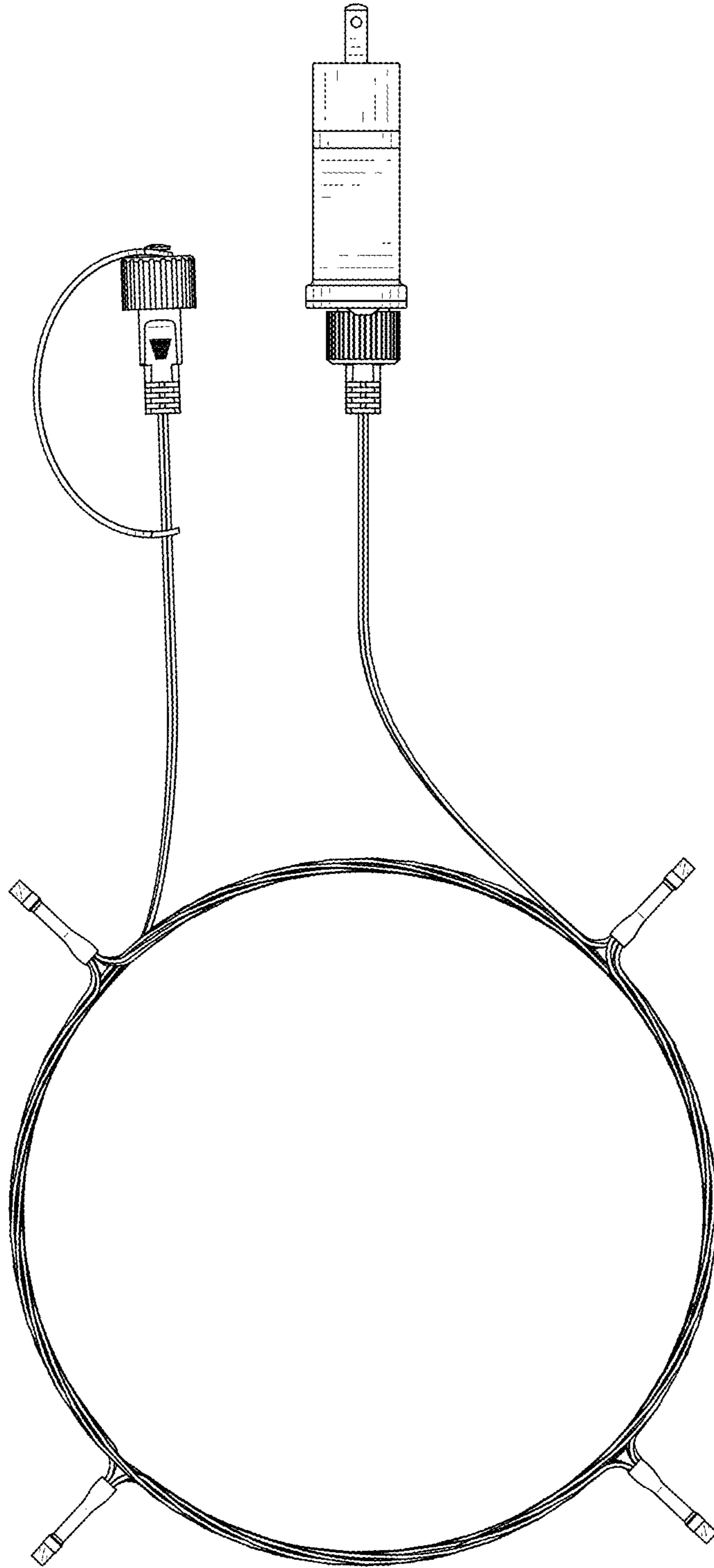


FIG. 7



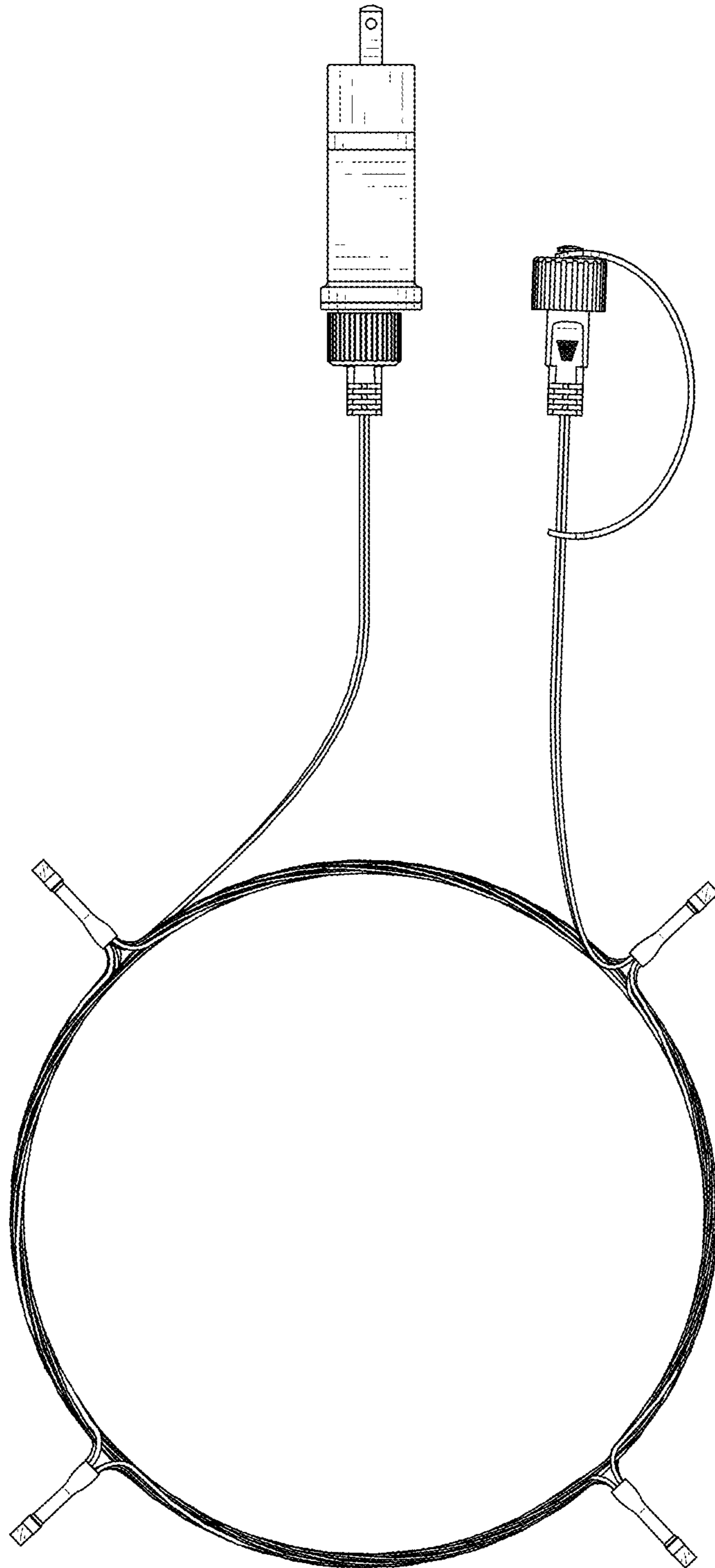


FIG. 8

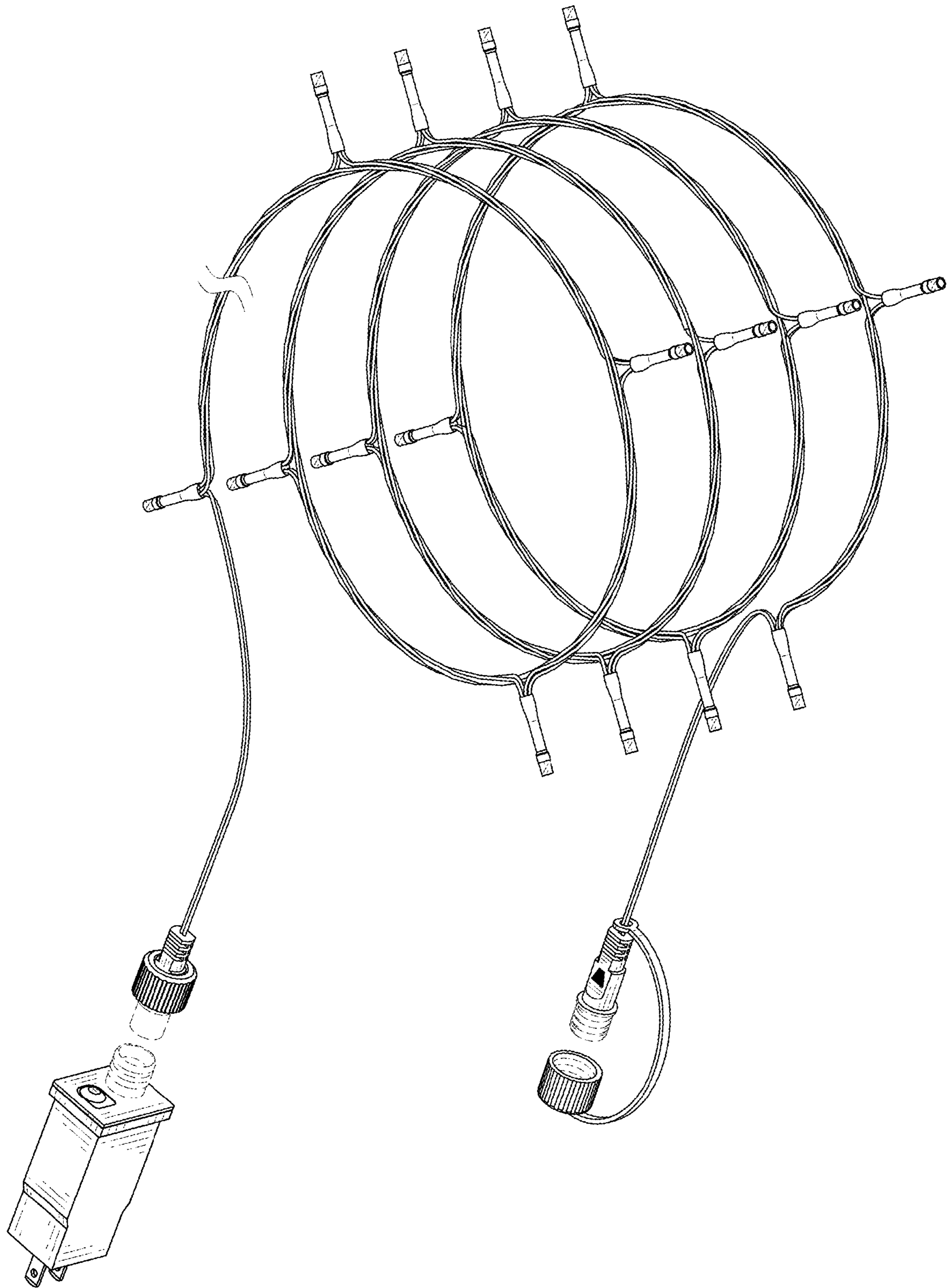


FIG. 9

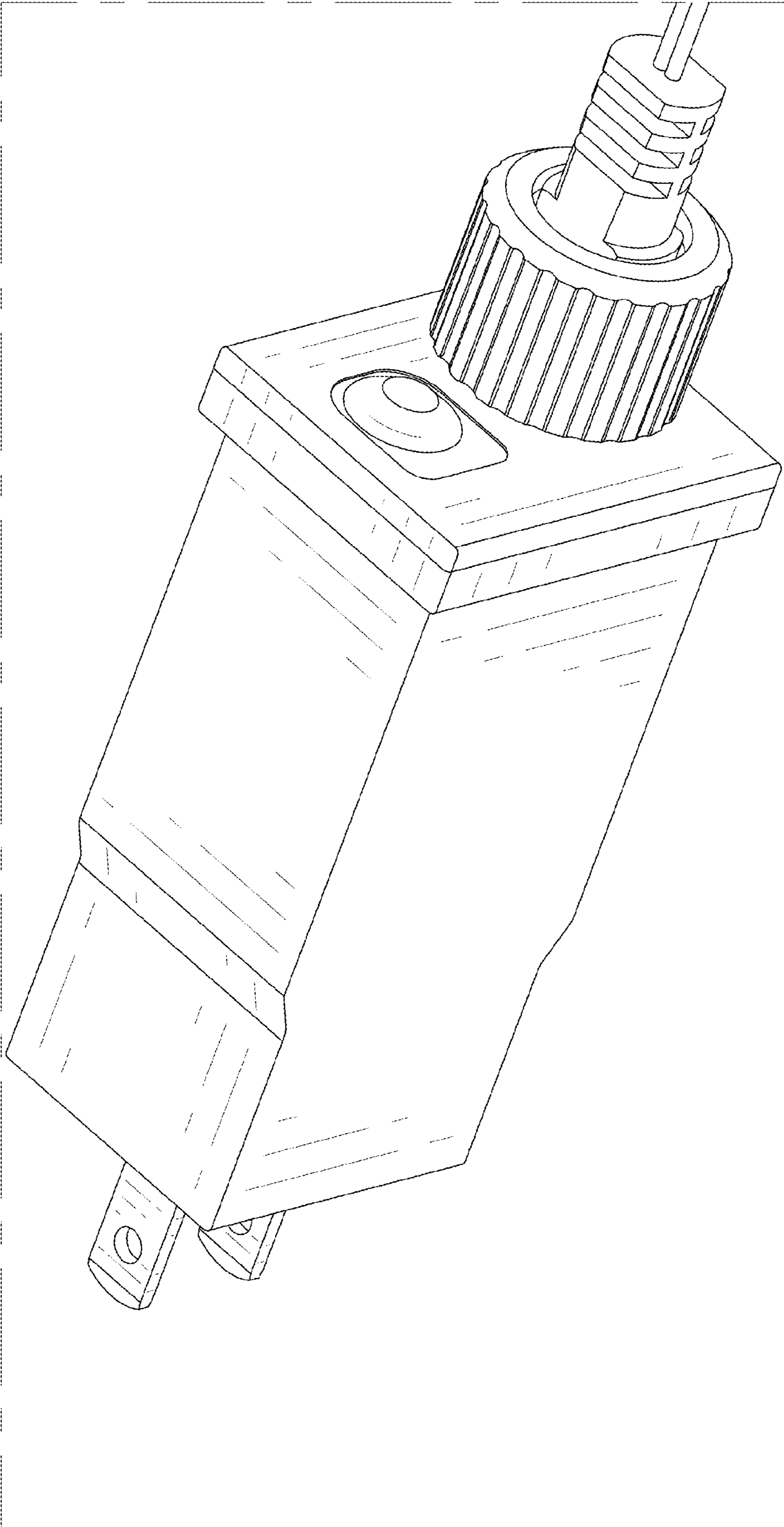


FIG. 10

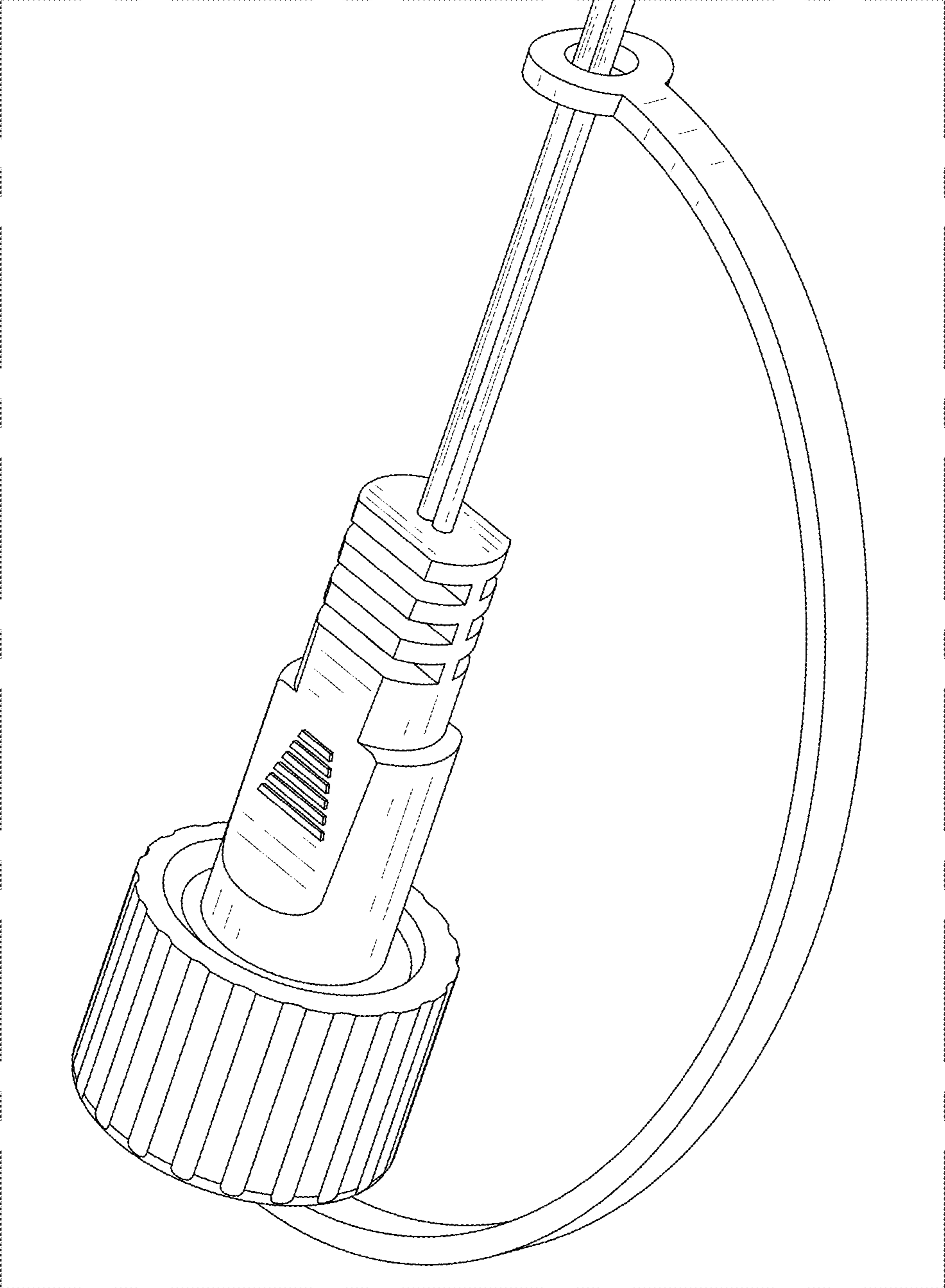


FIG. 11

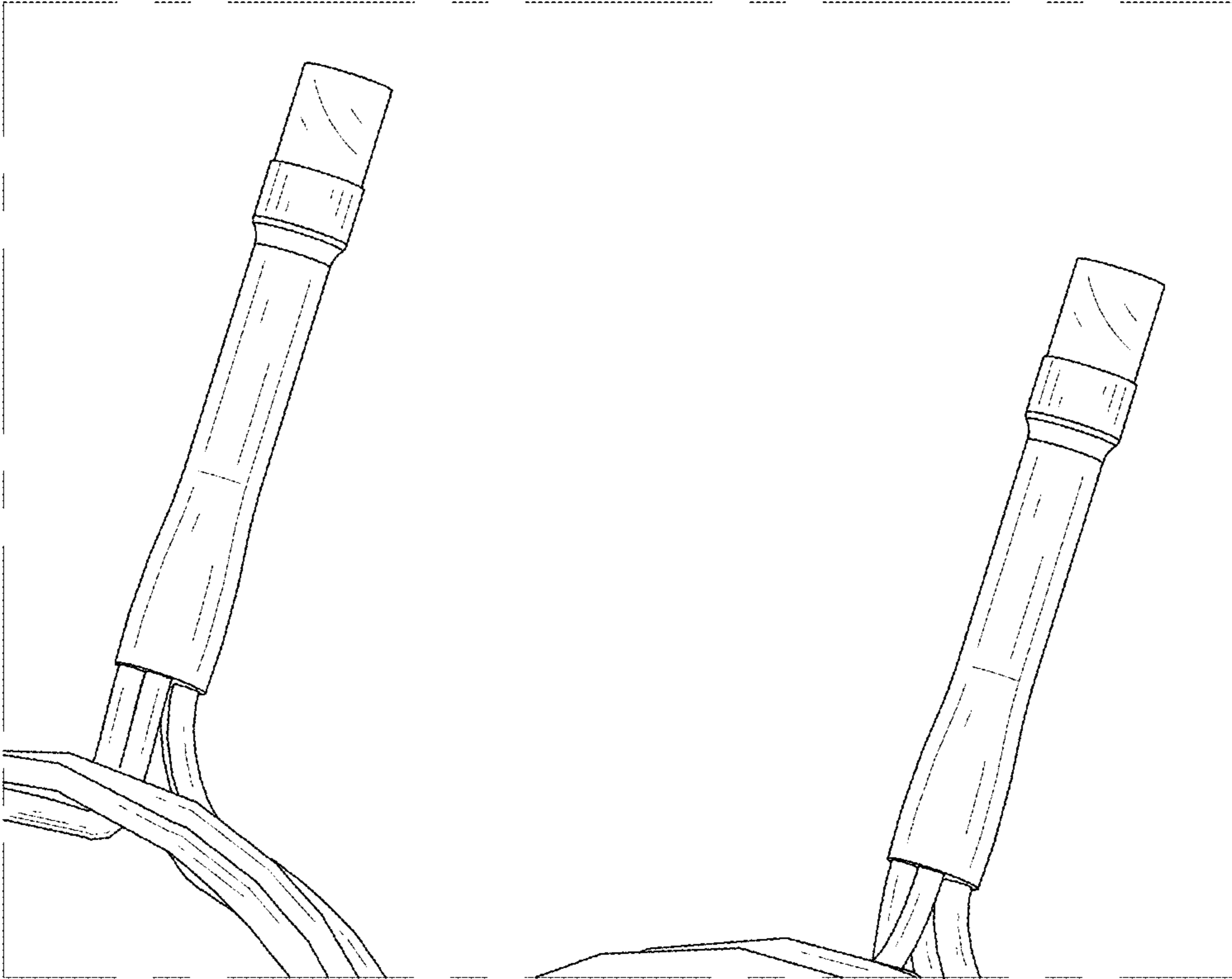


FIG. 12

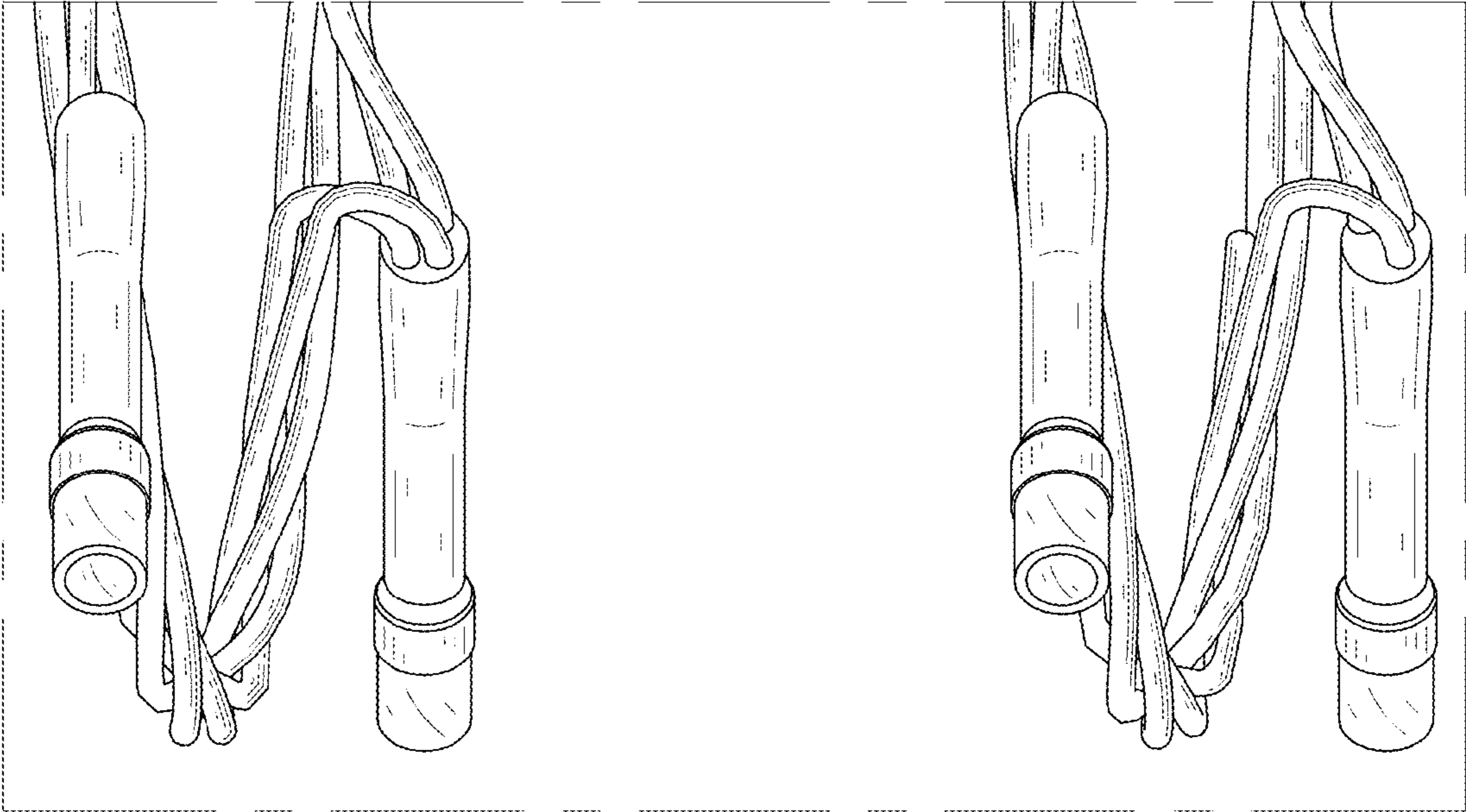


FIG. 13