



US00D880021S

(12) **United States Design Patent** (10) **Patent No.:** **US D880,021 S**
Meise (45) **Date of Patent:** **** Mar. 31, 2020**

(54) **LUMINAIRE**
(71) Applicant: **Axel & Susann Meise**
Beteiligungsgesellschaft mbH,
Starnberg (DE)
(72) Inventor: **Axel Meise, München (DE)**
(73) Assignee: **Axel & Susann Meise**
Beteiligungsgesellschaft mbH,
Starnberg (DE)
(**) Term: **15 Years**
(21) Appl. No.: **29/663,267**
(22) Filed: **Sep. 13, 2018**
(30) **Foreign Application Priority Data**
Mar. 14, 2018 (EM) 004755890-0033
(51) **LOC (12) Cl.** **26-03**
(52) **U.S. Cl.**
USPC **D26/24**
(58) **Field of Classification Search**
USPC D26/1, 24, 44, 61, 63, 76, 81, 83, 109,
D26/119, 122; D10/104.1, 114.1, 114.2,
D10/114.4
CPC F21V 21/30; F21V 21/02; F21V 21/03;
F21V 21/008; F21V 21/047; F21V 3/00;
F21V 3/02; F21V 3/049; F21W 2131/10;
F21W 2131/20; F21W 2131/40; F21W
2131/101; F21W 2131/103; F21W
2131/406; F21W 2131/1005
See application file for complete search history.

(56) **References Cited**
U.S. PATENT DOCUMENTS
D312,136 S * 11/1990 Miletich D26/24
D330,269 S * 10/1992 Hong D26/76

D344,605 S * 2/1994 Aspenwall D26/76
D584,444 S * 1/2009 Lipson D26/76
D586,492 S * 2/2009 Copeland D26/76
D610,293 S * 2/2010 Klaus D26/76
D611,645 S * 3/2010 Copeland D26/76
D633,640 S * 3/2011 Wauters D26/76
D650,507 S * 12/2011 Osiecki D26/72
D693,813 S * 11/2013 Symons D14/432
D710,725 S * 8/2014 Laarman D10/114.2
D756,022 S * 5/2016 Shipman D26/113
D772,747 S * 11/2016 Liu D10/114.1
D791,998 S * 7/2017 Lonsdale D26/76
D808,566 S * 1/2018 Goetz-Schaefer D26/76
D825,792 S * 8/2018 Johnson D26/24
D851,789 S * 6/2019 Johnson D26/24
D859,199 S * 9/2019 Goltche D10/114.4
D860,484 S * 9/2019 Wang D26/24
D865,226 S * 10/2019 Liu D26/1

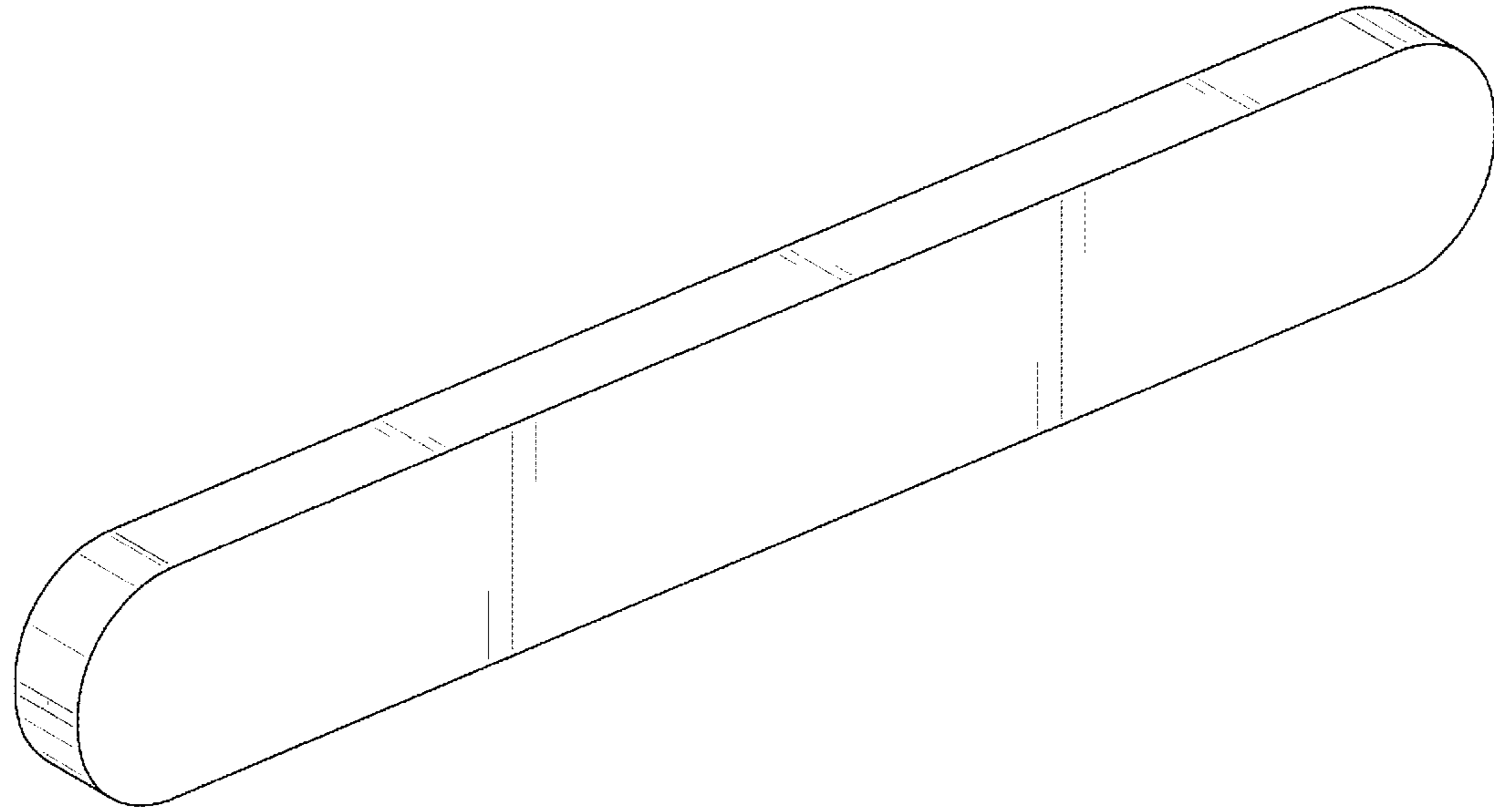
(Continued)

Primary Examiner — Wan Laymon
Assistant Examiner — Clint A Samuel
(74) *Attorney, Agent, or Firm* — Winstead PC

(57) **CLAIM**
The ornamental design for a luminaire, as shown and described.

DESCRIPTION
FIG. 1 is a top perspective view of a luminaire in accordance with the design;
FIG. 2 is a bottom perspective view thereof;
FIG. 3 is a top plan view thereof;
FIG. 4 is a bottom plan view thereof;
FIG. 5 is a front plan view thereof; a back plan view thereof being symmetric to the front plan view; and,
FIG. 6 is a left side plan view thereof; a right side plan view thereof being symmetric to the left side plan view.
The broken lines showing in the drawings are for the purpose of illustrating environmental structure and form no part of the claimed design.

1 Claim, 4 Drawing Sheets



(56)

References Cited

U.S. PATENT DOCUMENTS

D869,048 S * 12/2019 Chai D26/76
D869,052 S * 12/2019 Johnson D26/76

* cited by examiner

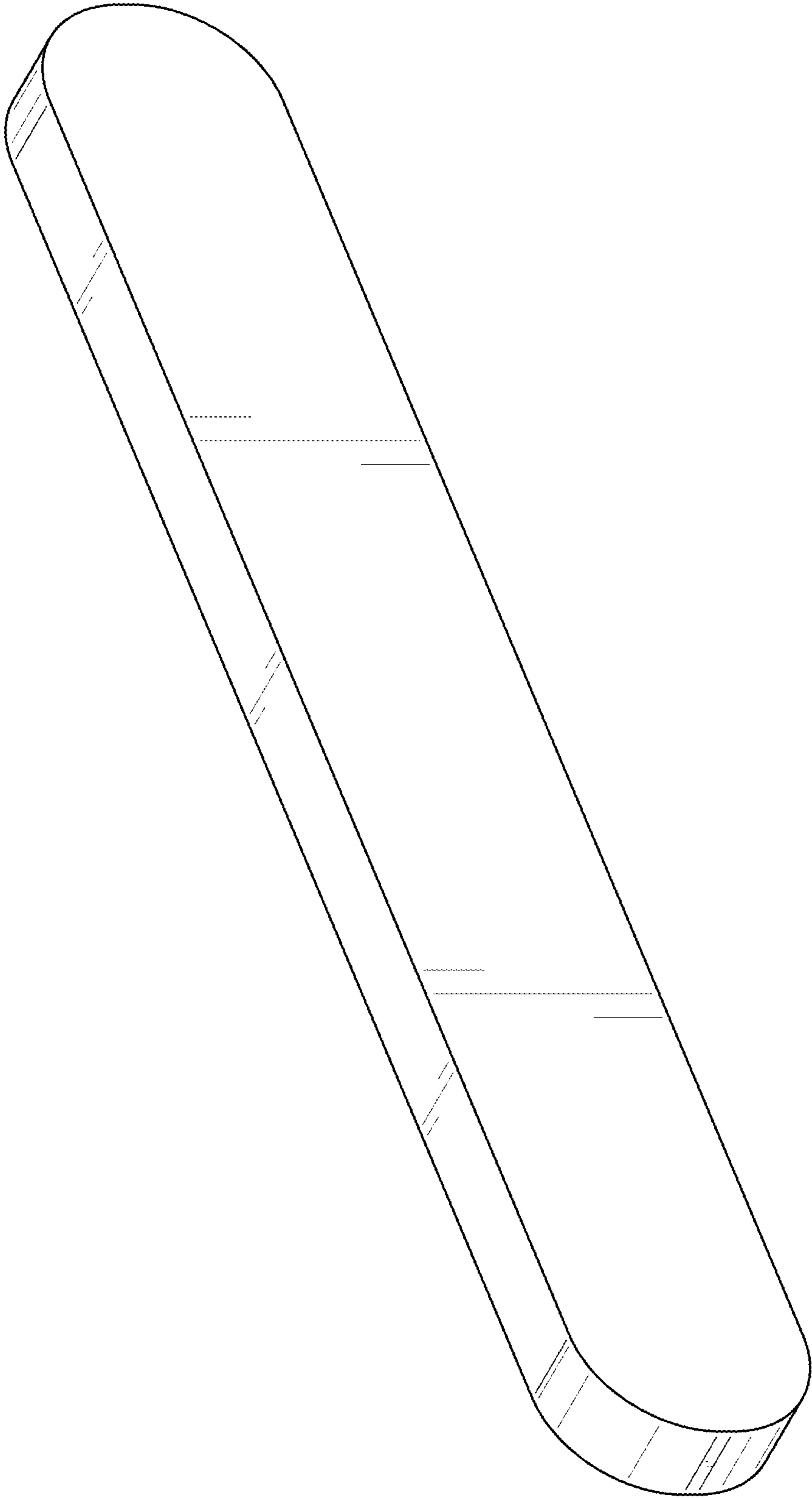


FIG. 1

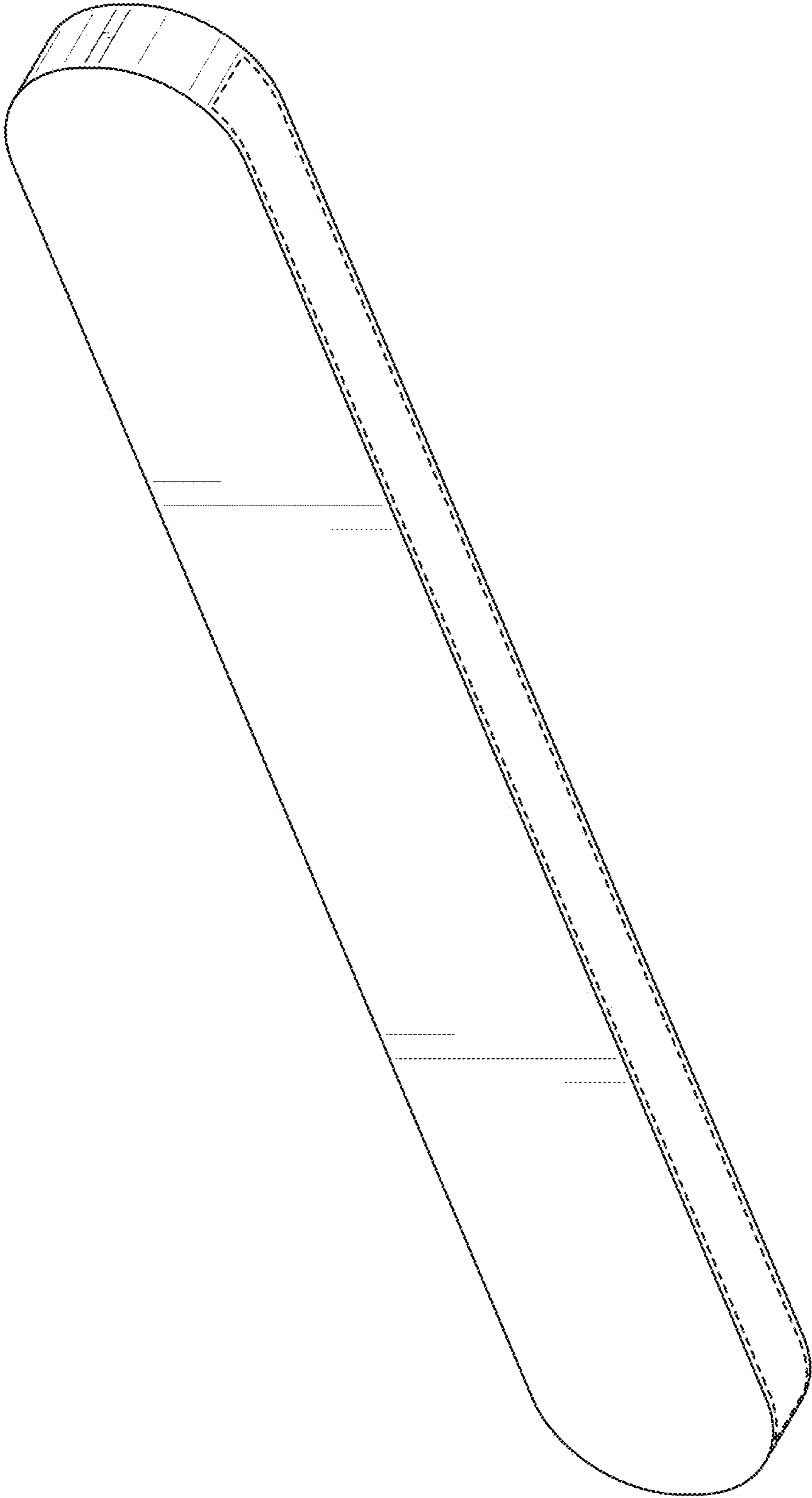


FIG. 2

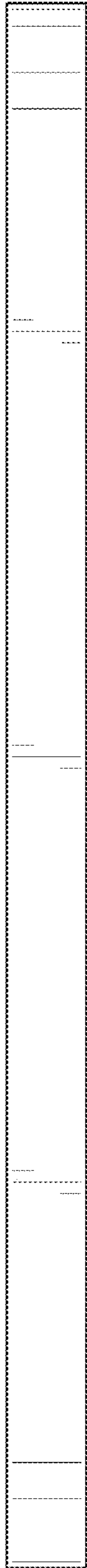


FIG. 3

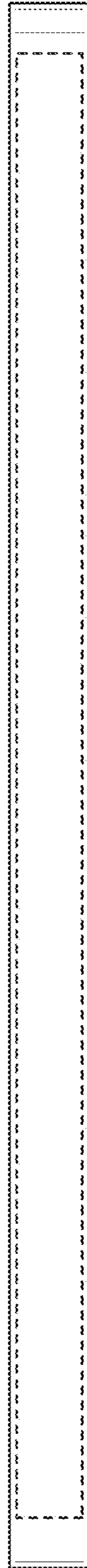


FIG. 4

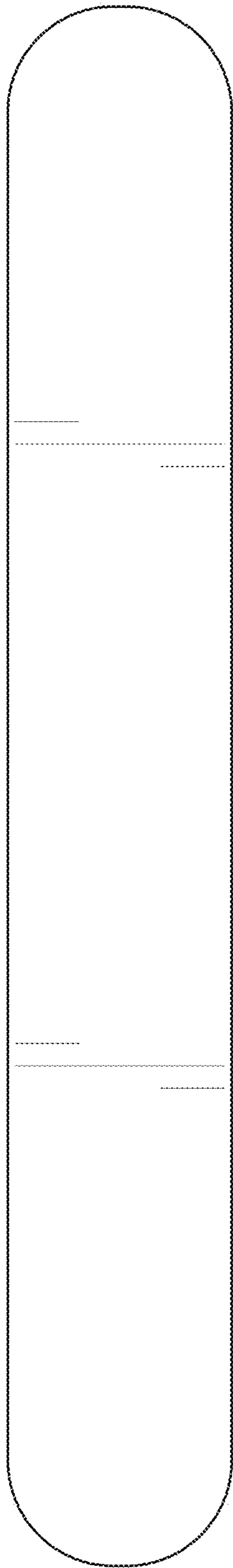


FIG. 5



FIG. 6