



US00D880020S

(12) **United States Design Patent** (10) **Patent No.:** **US D880,020 S**  
**Meise** (45) **Date of Patent:** **\*\* Mar. 31, 2020**

(54) **LUMINAIRE**  
(71) Applicant: **Axel & Susann Meise**  
**Beteiligungsgesellschaft mbH,**  
Starnberg (DE)  
(72) Inventor: **Axel Meise, München (DE)**  
(73) Assignee: **Axel & Susann Meise**  
**Beteiligungsgesellschaft mbH,**  
Starnberg (DE)  
(\*\*) Term: **15 Years**  
(21) Appl. No.: **29/663,263**  
(22) Filed: **Sep. 13, 2018**  
(30) **Foreign Application Priority Data**  
Mar. 14, 2018 (EM) ..... 004755890-0019  
(51) **LOC (12) Cl.** ..... **26-03**  
(52) **U.S. Cl.**  
USPC ..... **D26/24**  
(58) **Field of Classification Search**  
USPC ..... D26/1, 24, 44, 61, 63, 76, 81, 83, 109,  
D26/119, 122; D10/104.1, 114.1, 114.2,  
D10/114.4  
CPC ..... F21V 21/30; F21V 21/02; F21V 21/03;  
F21V 21/008; F21V 21/047; F21V 3/00;  
F21V 3/02; F21V 3/049; F21W 2131/10;  
F21W 2131/20; F21W 2131/40; F21W  
2131/101; F21W 2131/103; F21W  
2131/406; F21W 2131/1005  
See application file for complete search history.

(56) **References Cited**  
**U.S. PATENT DOCUMENTS**  
D312,136 S \* 11/1990 Miletich ..... D26/24  
D330,269 S \* 10/1992 Hong ..... D26/76

D344,605 S \* 2/1994 Aspenwall ..... D26/76  
D584,444 S \* 1/2009 Lipson ..... D26/76  
D586,492 S \* 2/2009 Copeland ..... D26/76  
D610,293 S \* 2/2010 Klaus ..... D26/76  
D611,645 S \* 3/2010 Copeland ..... D26/76  
D633,640 S \* 3/2011 Wauters ..... D26/76  
D650,507 S \* 12/2011 Osiecki ..... D26/72  
D693,813 S \* 11/2013 Symons ..... D14/432  
D710,725 S \* 8/2014 Laarman ..... D10/114.2  
D756,022 S \* 5/2016 Shipman ..... D26/113  
D772,747 S \* 11/2016 Liu ..... D10/114.1  
D791,998 S \* 7/2017 Lonsdale ..... D26/76  
D808,566 S \* 1/2018 Goetz-Schaefer ..... D26/76  
D825,792 S \* 8/2018 Johnson ..... D26/24  
D851,789 S \* 6/2019 Johnson ..... D26/24  
D859,199 S \* 9/2019 Goltche ..... D10/114.4  
D860,484 S \* 9/2019 Wang ..... D26/24  
D865,226 S \* 10/2019 Liu ..... D26/1

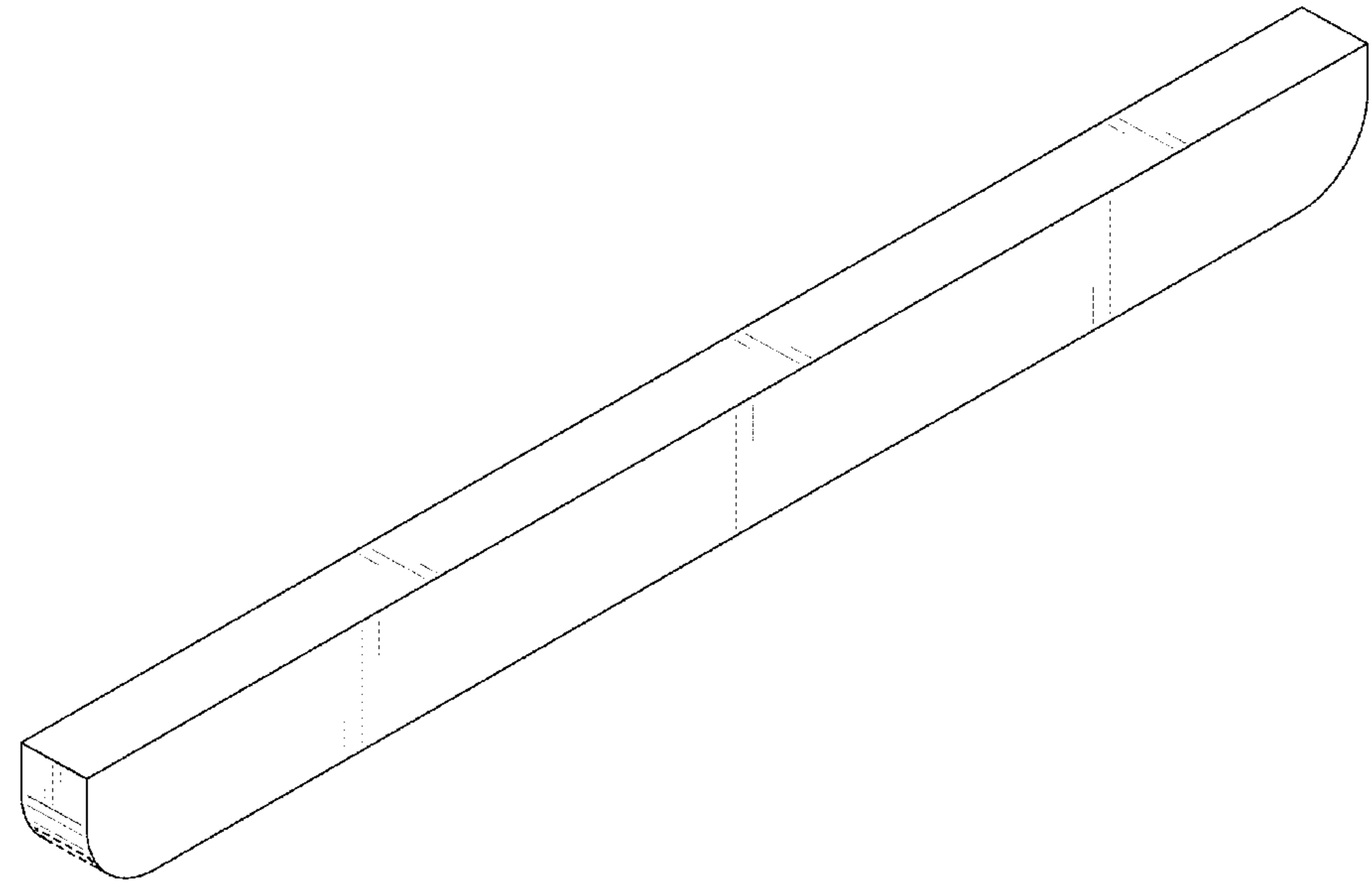
(Continued)

*Primary Examiner* — Wan Laymon  
*Assistant Examiner* — Clint A Samuel  
(74) *Attorney, Agent, or Firm* — Winstead PC

(57) **CLAIM**  
The ornamental design for a luminaire, as shown and described.

**DESCRIPTION**  
FIG. 1 is a top perspective view of a luminaire in accordance with the design;  
FIG. 2 is a bottom perspective view thereof;  
FIG. 3 is a top plan view thereof;  
FIG. 4 is a bottom plan view thereof;  
FIG. 5 is a front plan view thereof; a back plan view thereof being symmetric to the front plan view; and,  
FIG. 6 is a left side plan view thereof; a right side plan view thereof being symmetric to the left side plan view.  
The broken lines showing in the drawings are for the purpose of illustrating environmental structure and form no part of the claimed design.

**1 Claim, 4 Drawing Sheets**



(56)

**References Cited**

U.S. PATENT DOCUMENTS

D869,048 S \* 12/2019 Chai ..... D26/76  
D869,052 S \* 12/2019 Johnson ..... D26/76

\* cited by examiner

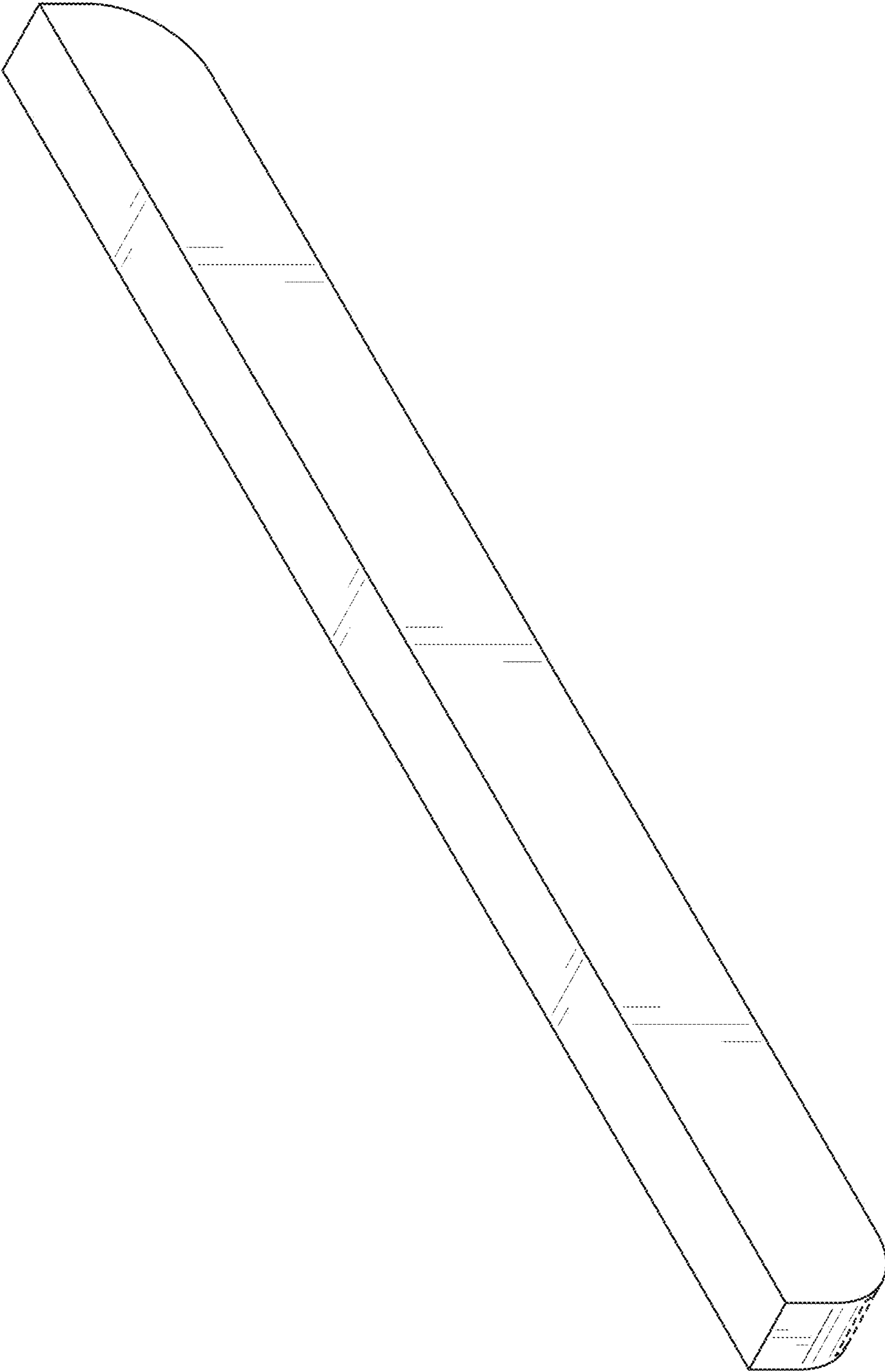


FIG. 1

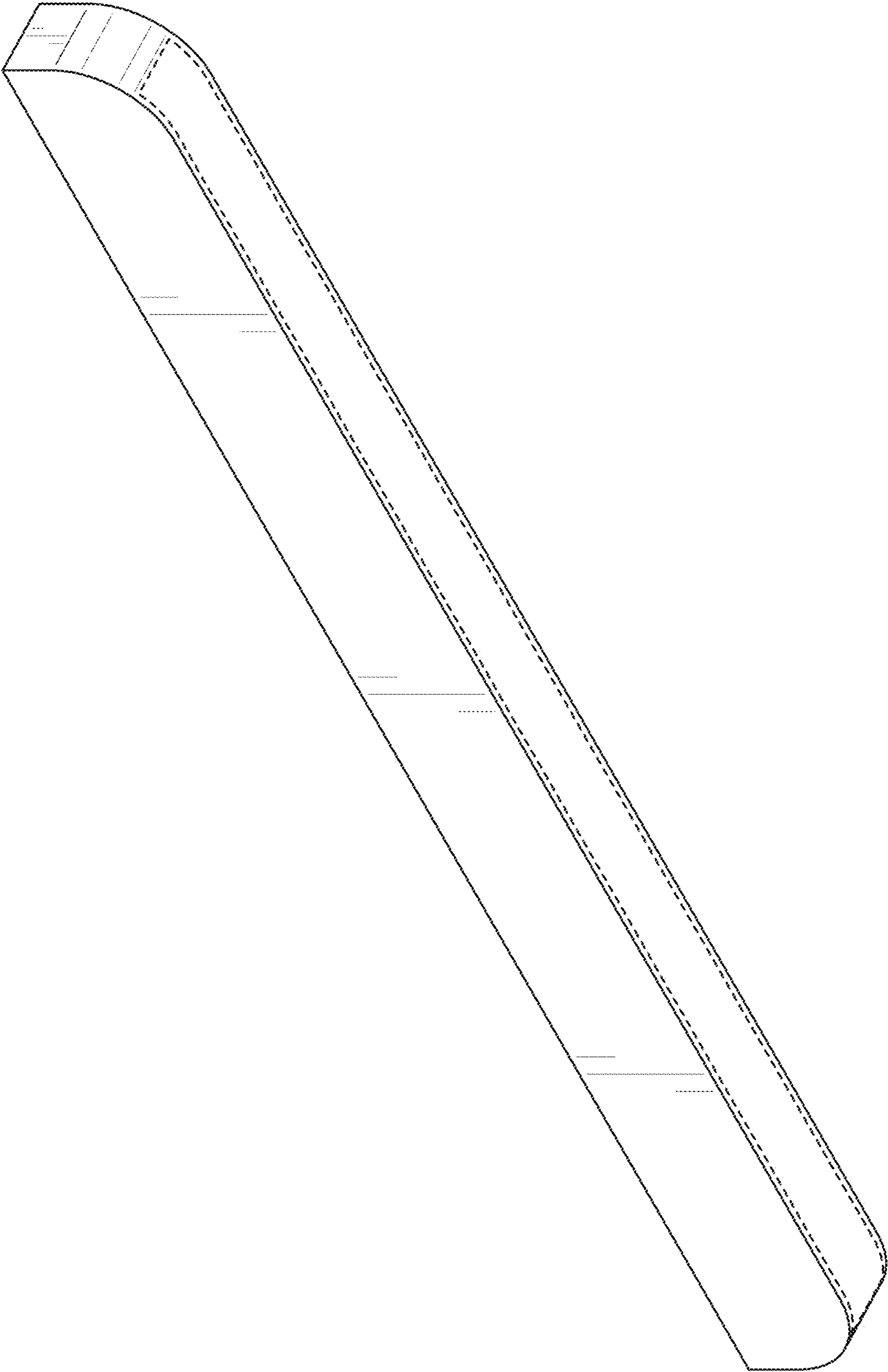


FIG. 2



FIG. 3



FIG. 4

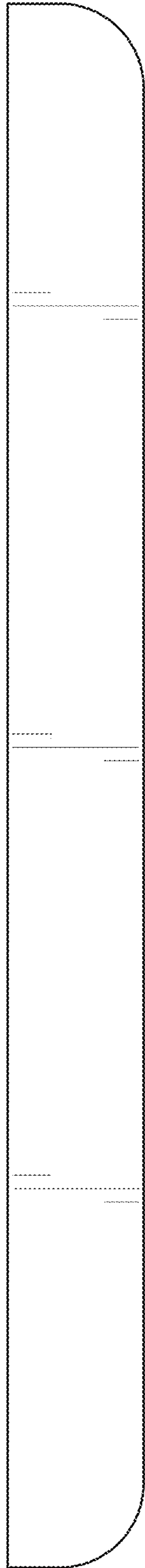


FIG. 5

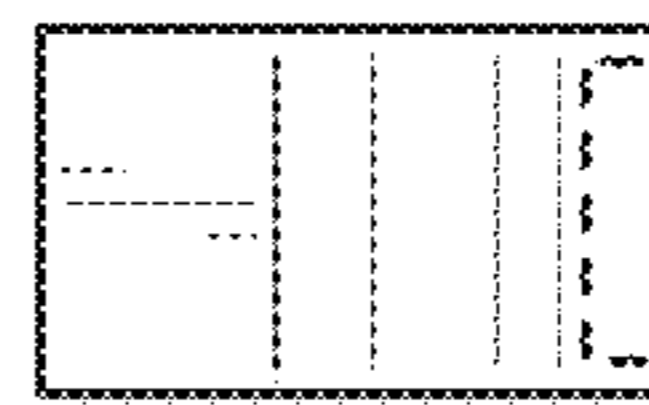


FIG. 6