



US00D880018S

(12) **United States Design Patent**
Pan

(10) **Patent No.:** **US D880,018 S**

(45) **Date of Patent:** **** Mar. 31, 2020**

(54) **LAMP**

(71) Applicant: **Yuan Pan**, Changde (CN)

(72) Inventor: **Yuan Pan**, Changde (CN)

(**) Term: **15 Years**

(21) Appl. No.: **29/712,775**

(22) Filed: **Nov. 12, 2019**

(51) **LOC (12) Cl.** **26-04**

(52) **U.S. Cl.**
USPC **D26/2**

(58) **Field of Classification Search**
USPC D26/1-4
CPC H01R 5/00; H01R 13/46; H01R 13/514;
H01R 31/048; H01R 31/02; H01J 5/00;
H01J 5/16; H01J 1/02; H01J 15/00; H01J
5/48; H01J 5/50; H01J 19/54; F21V 5/00;
F21V 1/0483; F21K 9/00; F21K 13/00
See application file for complete search history.

(56) **References Cited**

U.S. PATENT DOCUMENTS

D545,457 S * 6/2007 Chen D26/2
D584,428 S * 1/2009 Li D26/2

D587,384 S * 2/2009 Wei D26/2
D592,766 S * 5/2009 Zhu D26/2
D601,275 S * 9/2009 Ho D26/2
D607,587 S * 1/2010 Ko D26/2
D613,433 S * 4/2010 Moon D26/2
D644,357 S * 8/2011 Hsu D26/2
D750,283 S 2/2016 Hu et al.
D864,425 S 10/2019 Qian

* cited by examiner

Primary Examiner — Marcus A Jackson

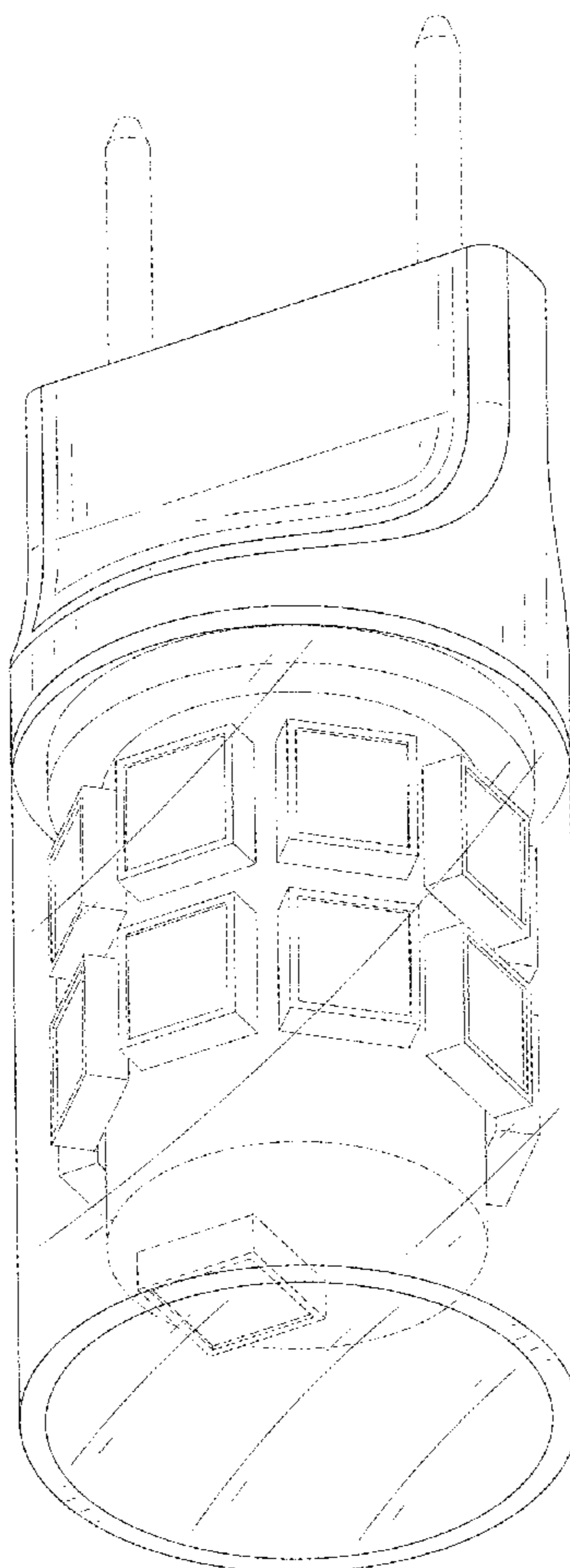
(57) **CLAIM**

The ornamental design for a lamp, as shown and described.

DESCRIPTION

FIG. 1 is a perspective view of a lamp showing my new design;
FIG. 2 is another perspective view thereof;
FIG. 3 is a front elevational view thereof;
FIG. 4 is a rear elevational view thereof;
FIG. 5 is a left side elevational view thereof;
FIG. 6 is a right side elevational view thereof;
FIG. 7 is a top plan view thereof; and,
FIG. 8 is a bottom plan view thereof.
The broken lines in the drawings depict portions of the lamp that form no part of the claimed design.

1 Claim, 8 Drawing Sheets



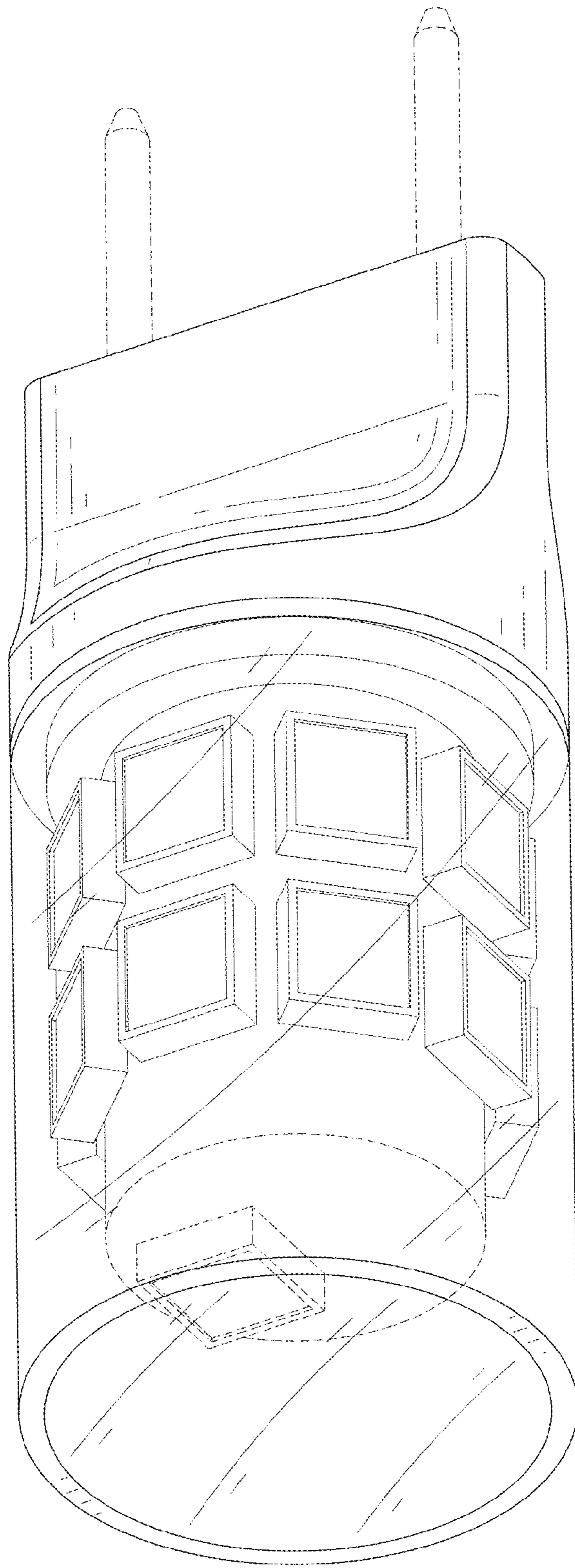


FIG. 1

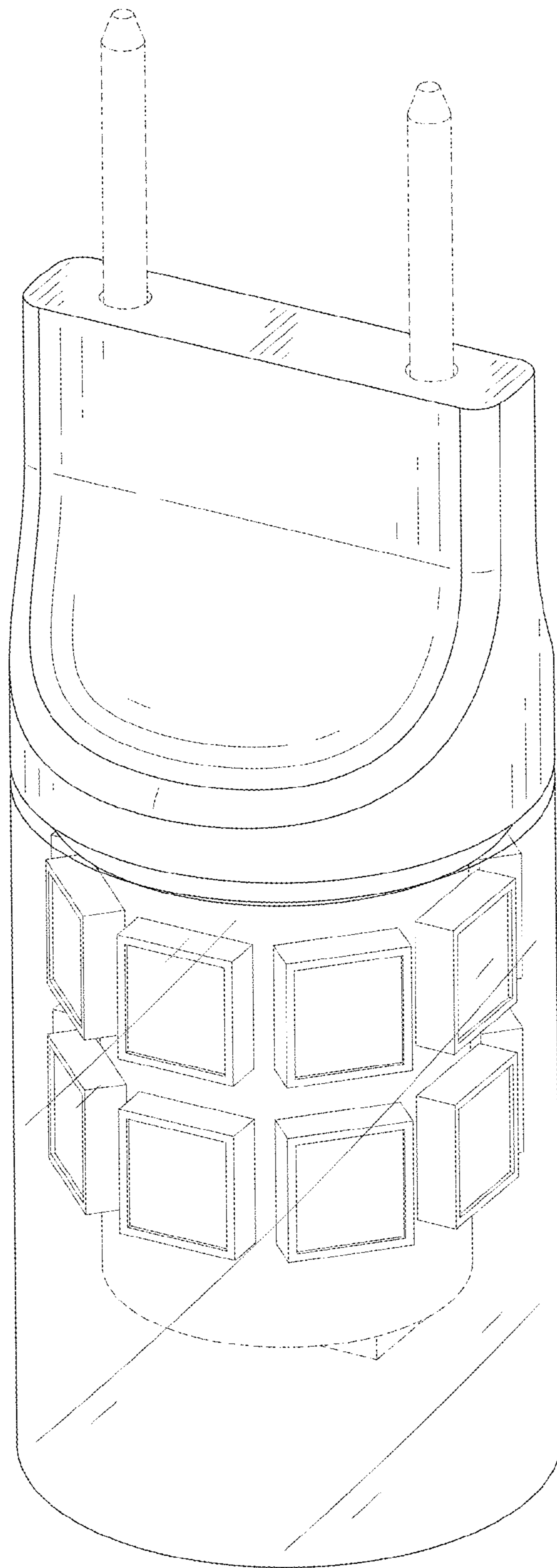


FIG. 2

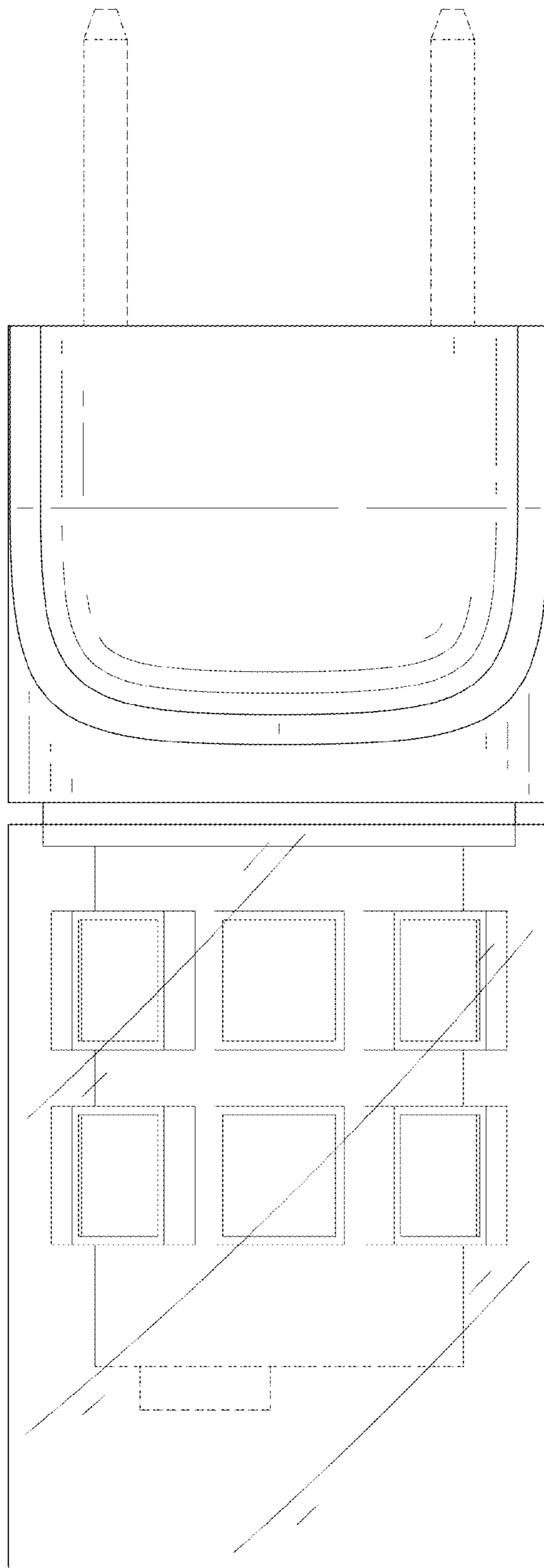


FIG. 3

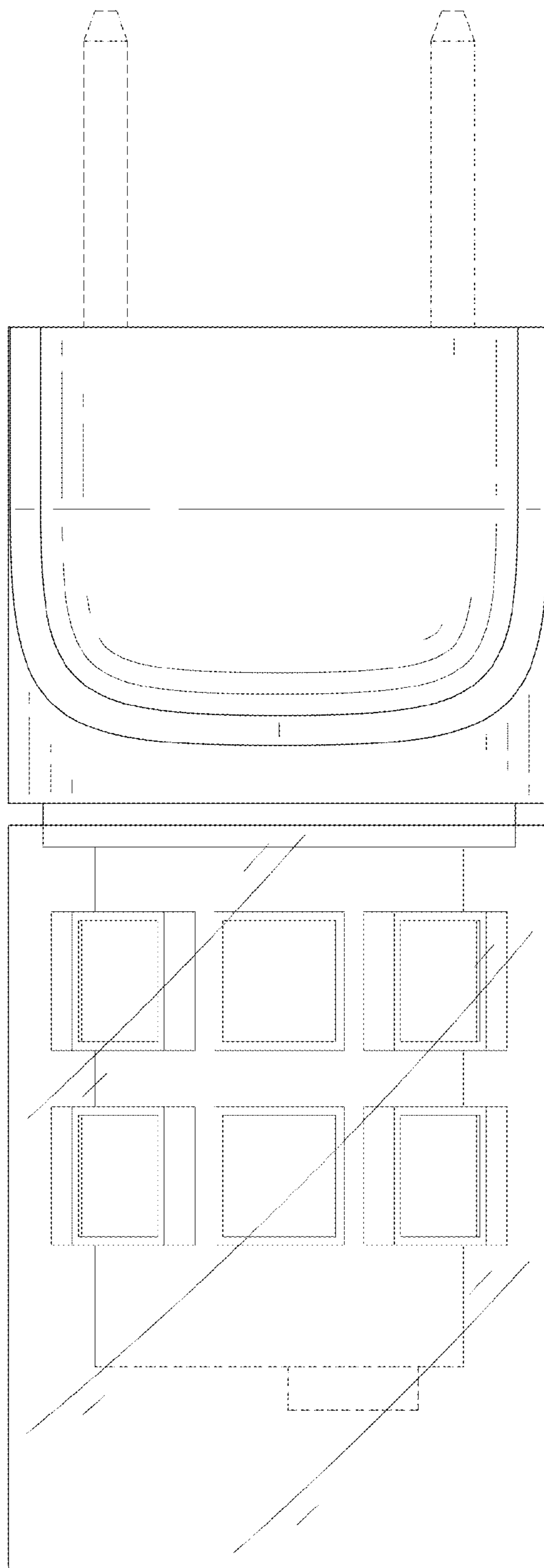


FIG. 4

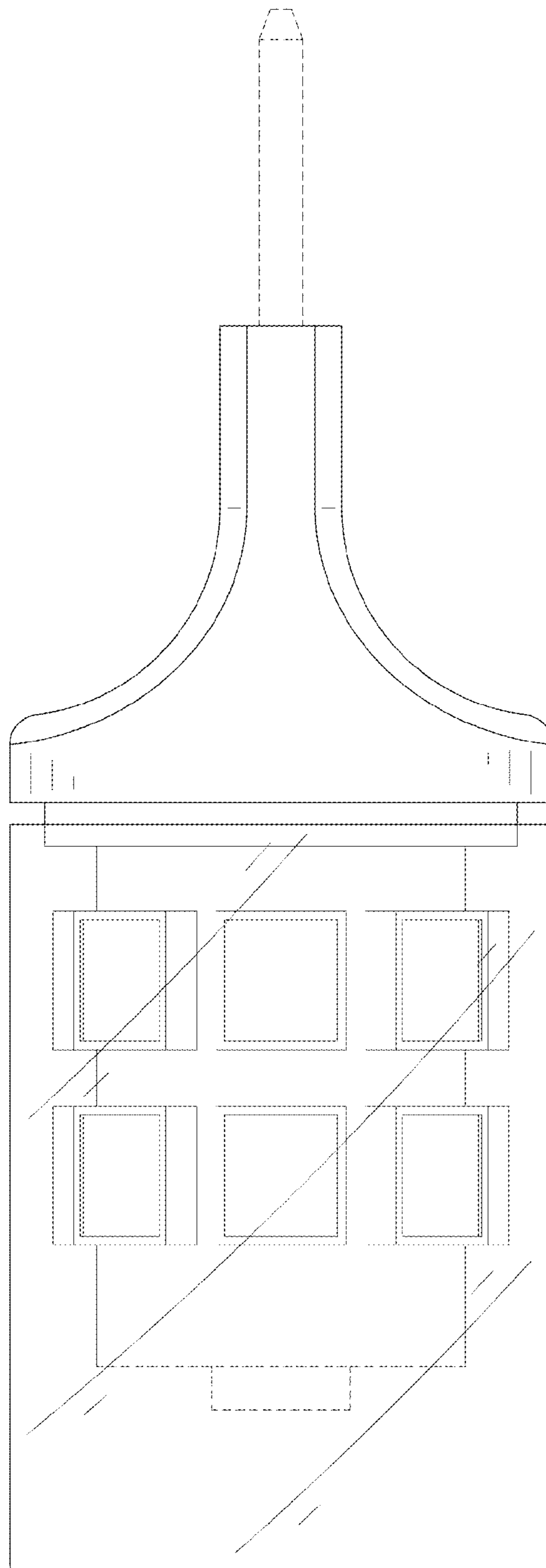


FIG. 5

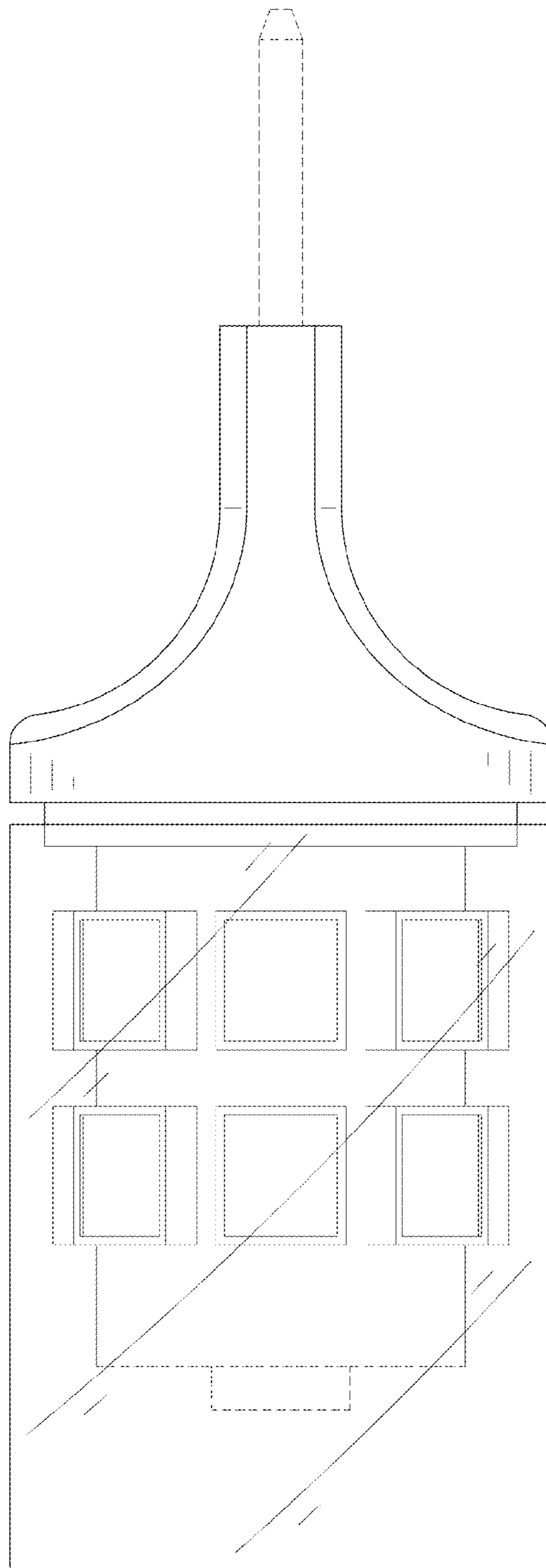


FIG. 6

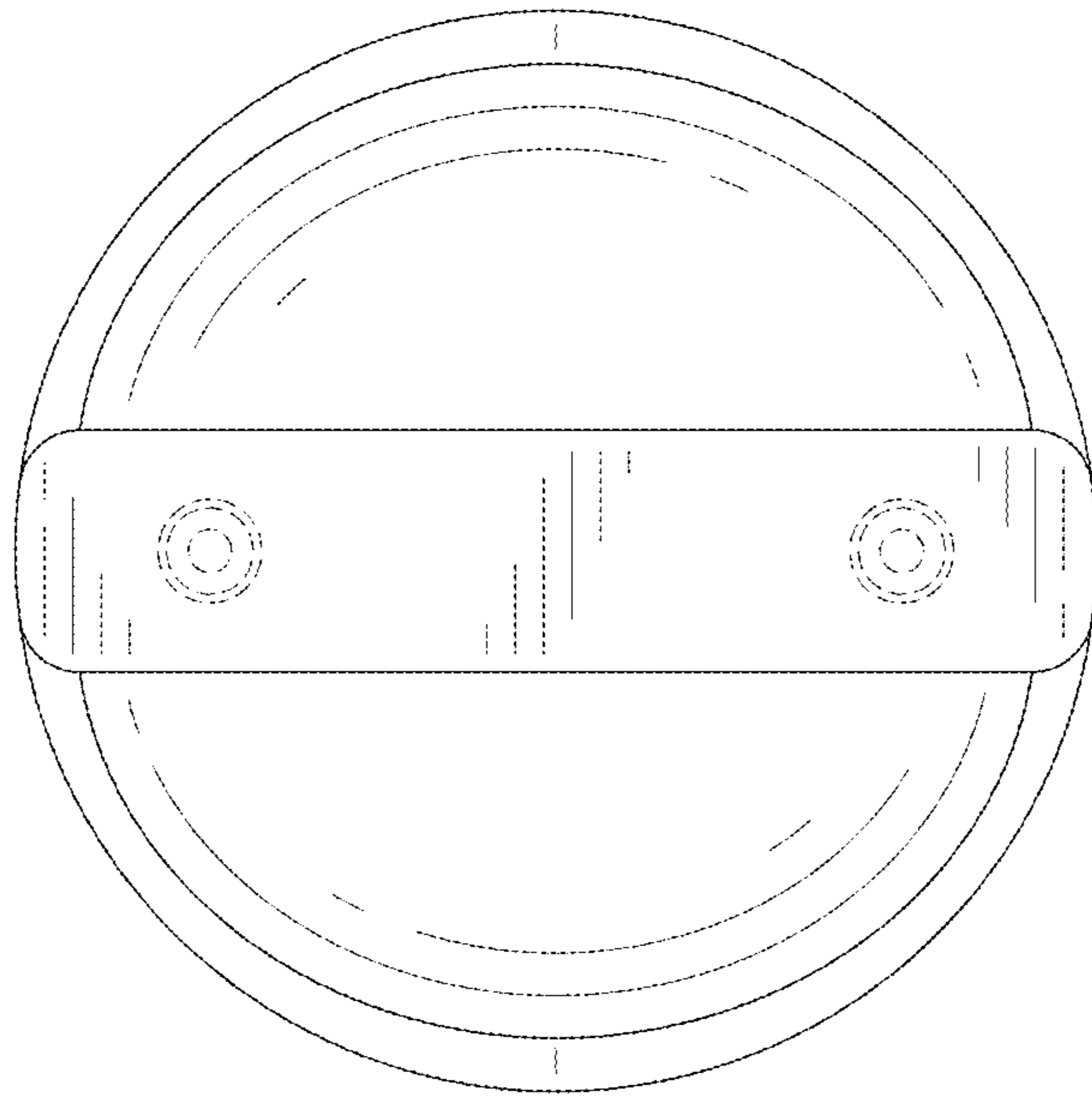


FIG. 7

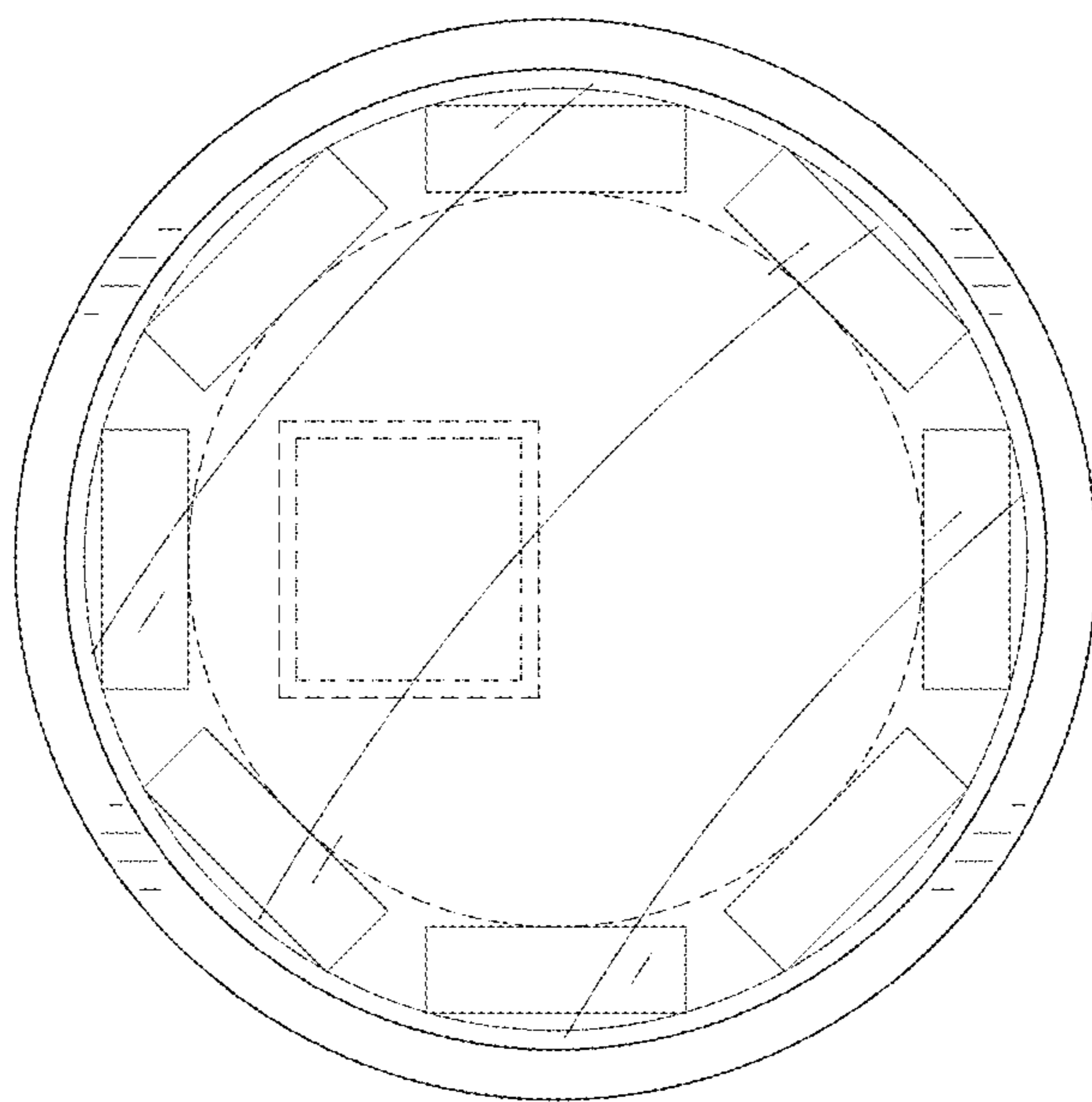


FIG. 8