



US00D880017S

(12) **United States Design Patent** (10) **Patent No.:** **US D880,017 S**  
**Chen** (45) **Date of Patent:** **\*\* Mar. 31, 2020**

(54) **PORTION OF A LIGHT BULB**

(74) *Attorney, Agent, or Firm* — Simon Kuang Lu

(71) Applicant: **ZHEJIANG SUPER LIGHTING  
ELECTRIC APPLIANCE CO., LTD.**,  
Jinyun (CN)

(57) **CLAIM**

The ornamental design for a portion of a light bulb, as shown and described.

(72) Inventor: **Yi-Ching Chen**, Taichung (TW)

**DESCRIPTION**

(73) Assignee: **JIAXING SUPER LIGHTING  
ELECTRIC APPLIANCE CO., LTD.**,  
Zhejiang (CN)

(\*\*) Term: **15 Years**

(21) Appl. No.: **29/702,002**

(22) Filed: **Aug. 15, 2019**

**Related U.S. Application Data**

(63) Continuation of application No. 29/619,287, filed on  
Sep. 28, 2017, now Pat. No. Des. 862,740.

(30) **Foreign Application Priority Data**

Sep. 21, 2017 (CN) ..... 2017 3 0450712  
Sep. 22, 2017 (CN) ..... 2017 3 0453237  
Sep. 22, 2017 (CN) ..... 2017 3 0453239

(51) **LOC (12) Cl.** ..... **26-04**

(52) **U.S. Cl.**  
USPC ..... **D26/2**

(58) **Field of Classification Search**  
USPC ..... D26/1-4

(Continued)

(56) **References Cited**

**U.S. PATENT DOCUMENTS**

D422,099 S \* 3/2000 Kracke ..... D26/2  
D548,369 S \* 8/2007 Bembridge ..... D26/2  
(Continued)

*Primary Examiner* — Marcus A Jackson

(Continued)

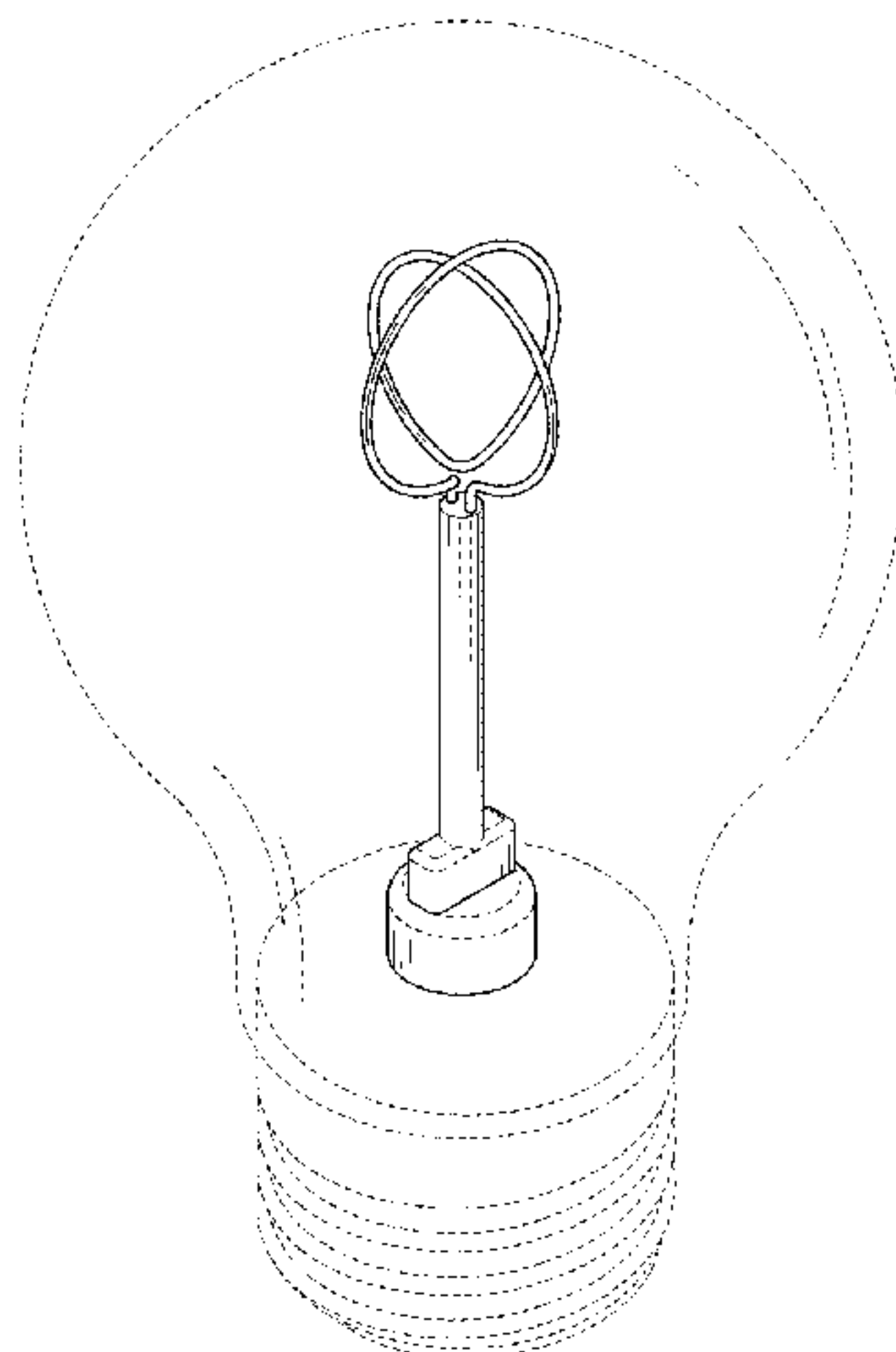


FIG. 18 is a left elevation view of the third embodiment of the portion of a light bulb;  
FIG. 19 is a right elevation view of the third embodiment of the portion of a light bulb;  
FIG. 20 is a top plan view of the third embodiment of the portion of a light bulb;  
FIG. 21 is a bottom plan view of the third embodiment of the portion of a light bulb;  
FIG. 22 is a front, right perspective view of a fourth embodiment of a portion of a light bulb showing my new design;  
FIG. 23 is a front elevation view of the fourth embodiment of the portion of a light bulb;  
FIG. 24 is a rear elevation view of the fourth embodiment of the portion of a light bulb;  
FIG. 25 is a left elevation view of the fourth embodiment of the portion of a light bulb;  
FIG. 26 is a right elevation view of the fourth embodiment of the portion of a light bulb;  
FIG. 27 is a top plan view of the fourth embodiment of the portion of a light bulb;  
FIG. 28 is a bottom plan view of the fourth embodiment of the portion of a light bulb;  
FIG. 29 is a front, right perspective view of a fifth embodiment of a portion of a light bulb showing my new design;  
FIG. 30 is a front elevation view of the fifth embodiment of the portion of a light bulb;  
FIG. 31 is a rear elevation view of the fifth embodiment of the portion of a light bulb;  
FIG. 32 is a left elevation view of the fifth embodiment of the portion of a light bulb;  
FIG. 33 is a right elevation view of the fifth embodiment of the portion of a light bulb;  
FIG. 34 is a top plan view of the fifth embodiment of the portion of a light bulb;  
FIG. 35 is a bottom plan view of the fifth embodiment of the portion of a light bulb;  
FIG. 36 is a front, right perspective view of a sixth embodiment of a portion of a light bulb showing my new design;  
FIG. 37 is a front elevation view of the sixth embodiment of the portion of a light bulb;  
FIG. 38 is a rear elevation view of the sixth embodiment of the portion of a light bulb;  
FIG. 39 is a left elevation view of the sixth embodiment of the portion of a light bulb;  
FIG. 40 is a right elevation view of the sixth embodiment of the portion of a light bulb;  
FIG. 41 is a top plan view of the sixth embodiment of the portion of a light bulb;  
FIG. 42 is a bottom plan view of the sixth embodiment of the portion of a light bulb;  
FIG. 43 is a front, right perspective view of a seventh embodiment of a portion of a light bulb showing my new design;  
FIG. 44 is a front elevation view of the seventh embodiment of the portion of a light bulb;  
FIG. 45 is a rear elevation view of the seventh embodiment of the portion of a light bulb;  
FIG. 46 is a left elevation view of the seventh embodiment of the portion of a light bulb;  
FIG. 47 is a right elevation view of the seventh embodiment of the portion of a light bulb;  
FIG. 48 is a top plan view of the seventh embodiment of the portion of a light bulb;

FIG. 49 is a bottom plan view of the seventh embodiment of the light portion of a bulb;  
FIG. 50 is a front, right perspective view of an eighth embodiment of a portion of a light bulb showing my new design;  
FIG. 51 is a front elevation view of the eighth embodiment of the portion of a light bulb;  
FIG. 52 is a rear elevation view of the eighth embodiment of the portion of a light bulb;  
FIG. 53 is a left elevation view of the eighth embodiment of the portion of a light bulb;  
FIG. 54 is a right elevation view of the eighth embodiment of the portion of a light bulb;  
FIG. 55 is a top plan view of the eighth embodiment of the portion of a light bulb;  
FIG. 56 is a bottom plan view of the eighth embodiment of the portion of a light bulb;  
FIG. 57 is a front, right perspective view of a ninth embodiment of a portion of a light bulb showing my new design;  
FIG. 58 is a front elevation view of the ninth embodiment of the portion of a light bulb;  
FIG. 59 is a rear elevation view of the ninth embodiment of the portion of a light bulb;  
FIG. 60 is a left elevation view of the ninth embodiment of the portion of a light bulb;  
FIG. 61 is a right elevation view of the ninth embodiment of the portion of a light bulb;  
FIG. 62 is a top plan view of the ninth embodiment of the portion of a light bulb;  
FIG. 63 is a bottom plan view of the ninth embodiment of the portion of a light bulb;  
FIG. 64 is a front, right perspective view of a tenth embodiment of a portion of a light bulb showing my new design;  
FIG. 65 is a front elevation view of the tenth embodiment of the portion of a light bulb;  
FIG. 66 is a rear elevation view of the tenth embodiment of the portion of a light bulb;  
FIG. 67 is a left elevation view of the tenth embodiment of the portion of a light bulb;  
FIG. 68 is a right elevation view of the tenth embodiment of the portion of a light bulb;  
FIG. 69 is a top plan view of the tenth embodiment of the portion of a light bulb;  
FIG. 70 is a bottom plan view of the tenth embodiment of the portion of a light bulb;  
FIG. 71 is a front, right perspective view of an eleventh embodiment of a portion of a light bulb showing my new design;  
FIG. 72 is a front elevation view of the eleventh embodiment of the portion of a light bulb;  
FIG. 73 is a rear elevation view of the eleventh embodiment of the portion of a light bulb;  
FIG. 74 is a left elevation view of the eleventh embodiment of the portion of a light bulb;  
FIG. 75 is a right elevation view of the eleventh embodiment of the portion of a light bulb;  
FIG. 76 is a top plan view of the eleventh embodiment of the portion of a light bulb; and,  
FIG. 77 is a bottom plan view of the eleventh embodiment of the portion of a light bulb.



The broken lines in the drawings are for illustrative purposes and represent environmental structure and unclaimed portions of the portion of a light bulb and therefore form no part of the claimed design.

**1 Claim, 66 Drawing Sheets**

(58) **Field of Classification Search**

CPC ..... H01R 5/00; H01R 13/46; H01R 13/514;  
H01R 31/048; H01R 31/02; H01J 5/00;  
H01J 5/16; H01J 1/02; H01J 15/00; H01J  
5/48; H01J 5/50; H01J 19/54; F21V 5/00;  
F21K 9/00; F21K 13/00

See application file for complete search history.

(56) **References Cited**

U.S. PATENT DOCUMENTS

D549,360	S	*	8/2007	An	.....	D26/2
D550,864	S	*	9/2007	Hernandez, Jr.	.....	D26/2
D629,929	S	*	12/2010	Chen	.....	D26/2

\* cited by examiner

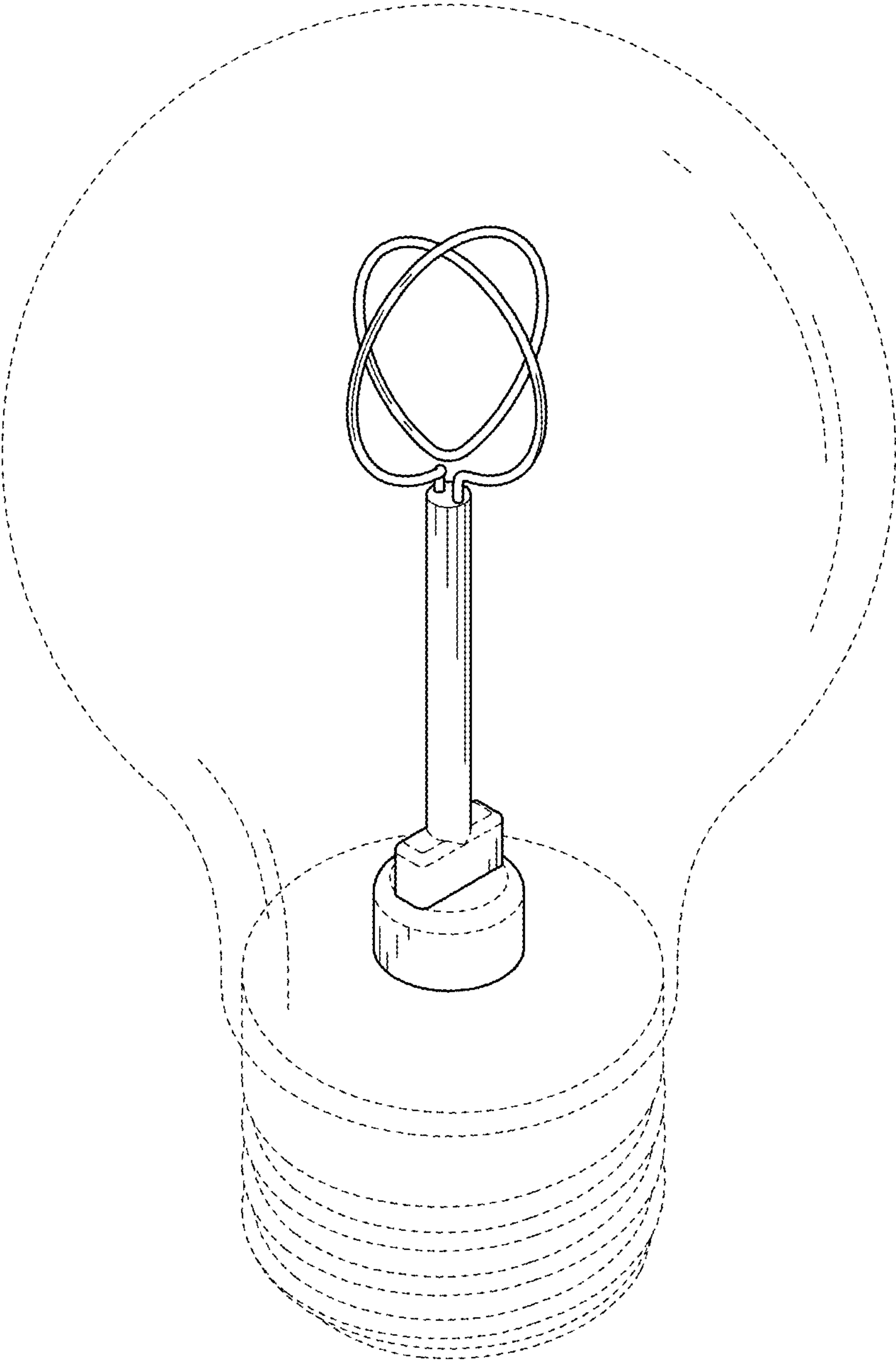


FIG. 1

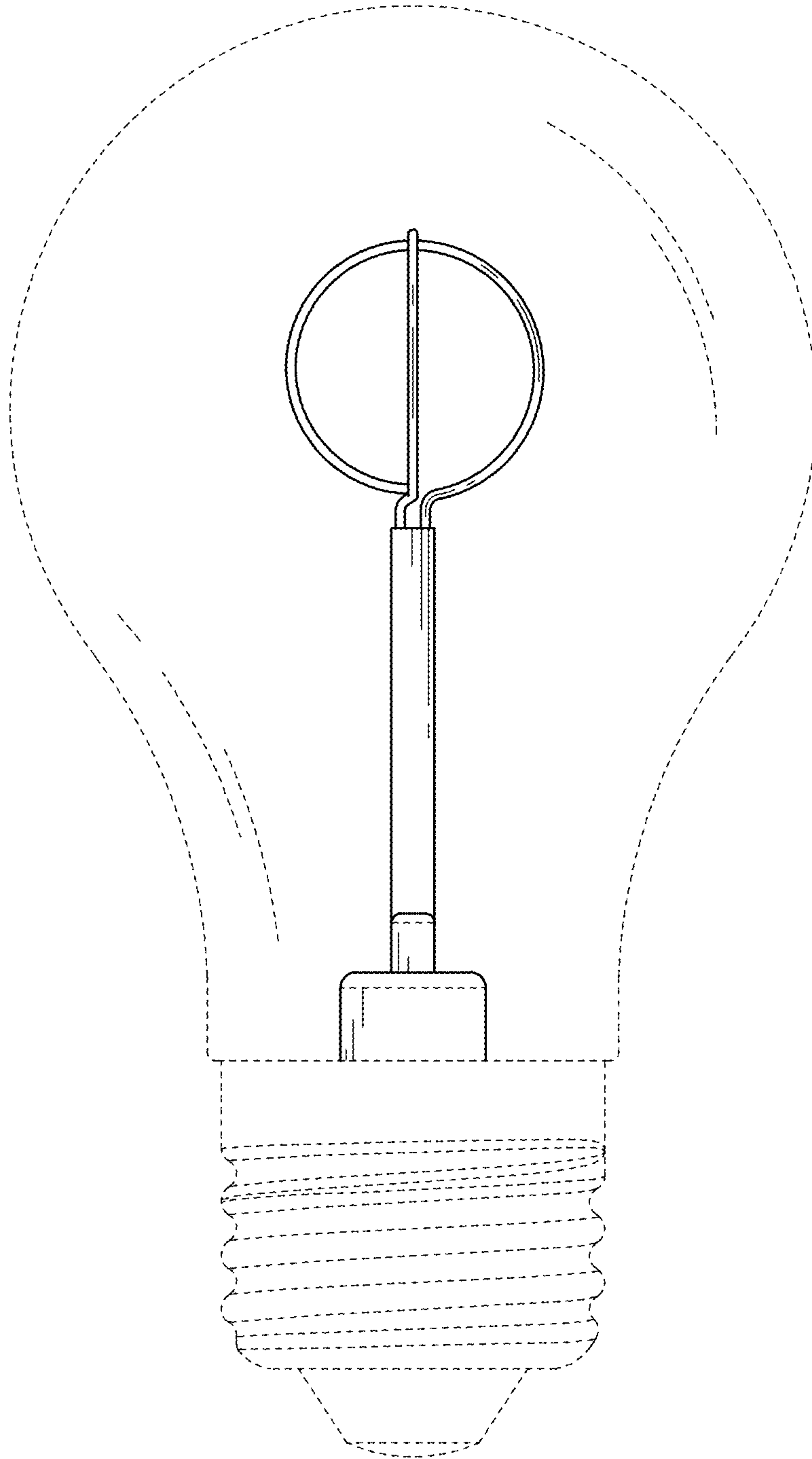


FIG. 2

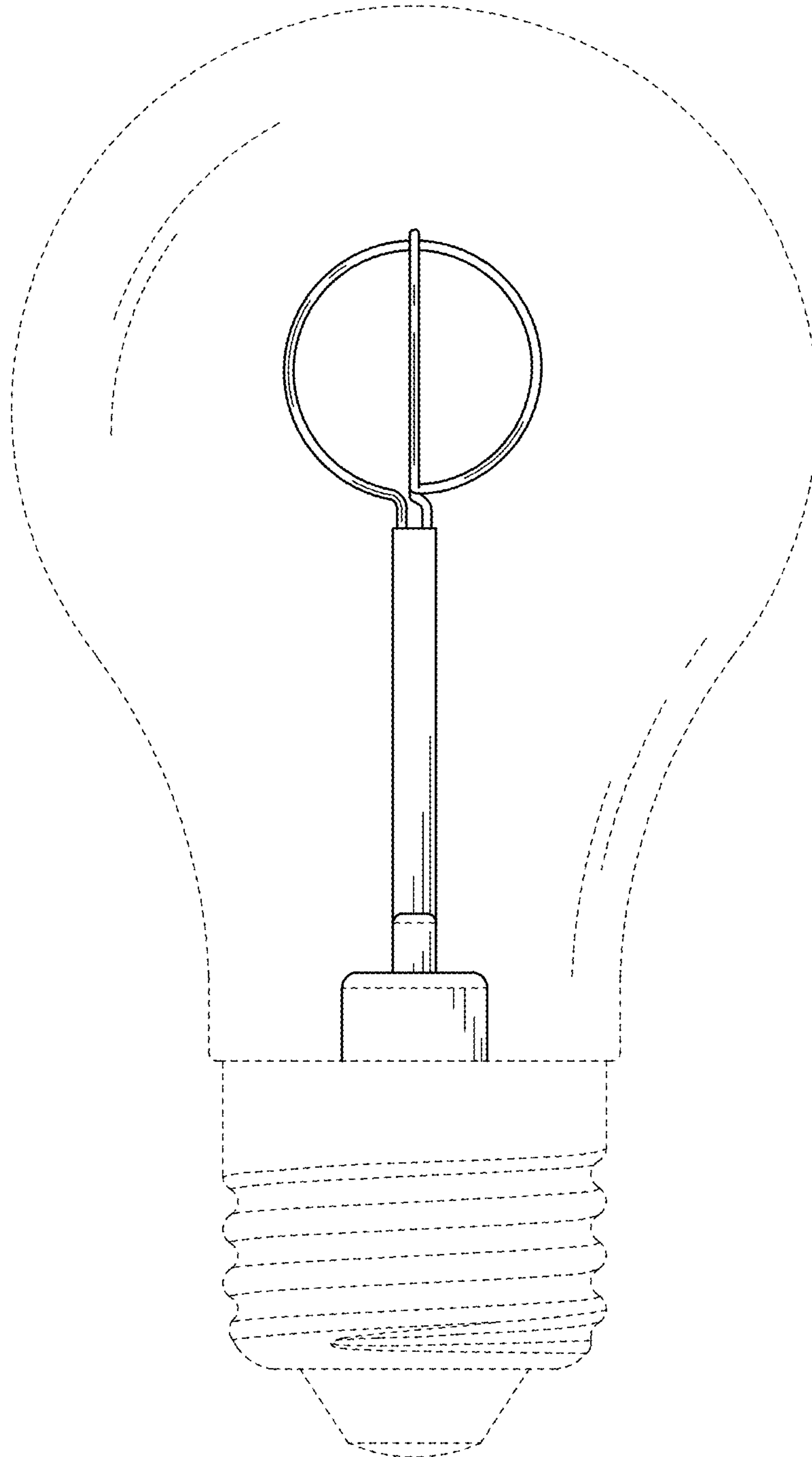


FIG. 3

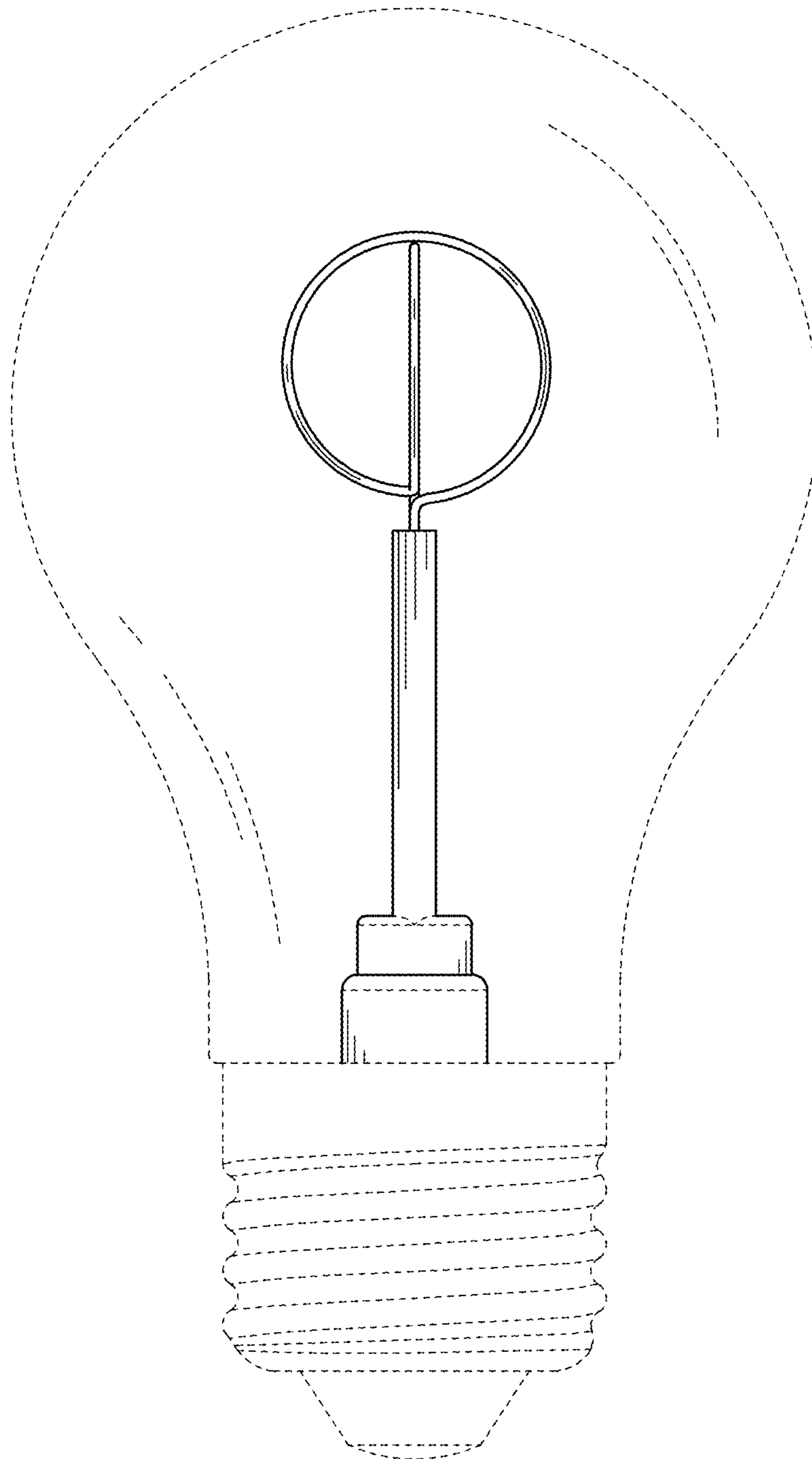


FIG. 4

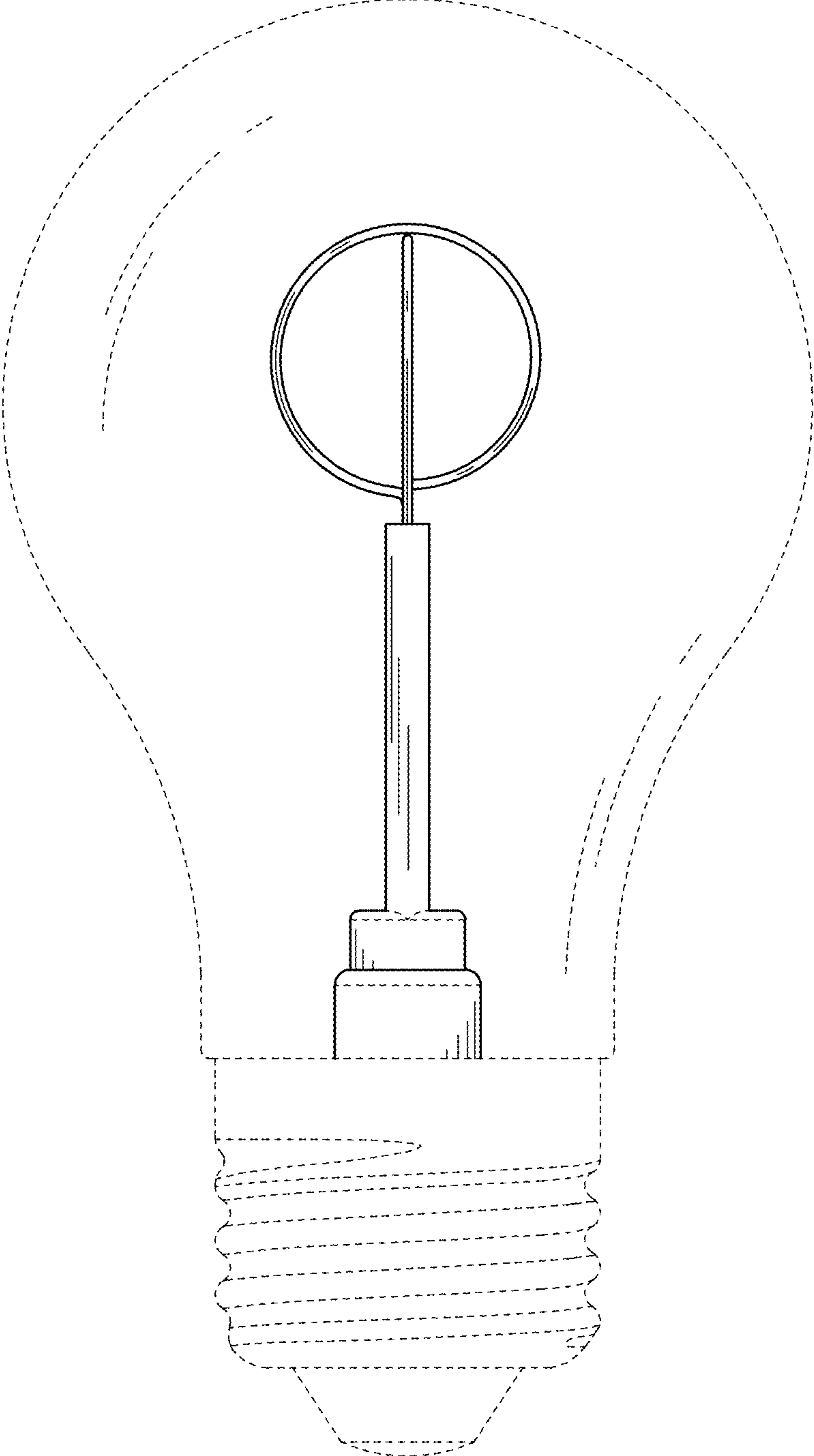


FIG.5



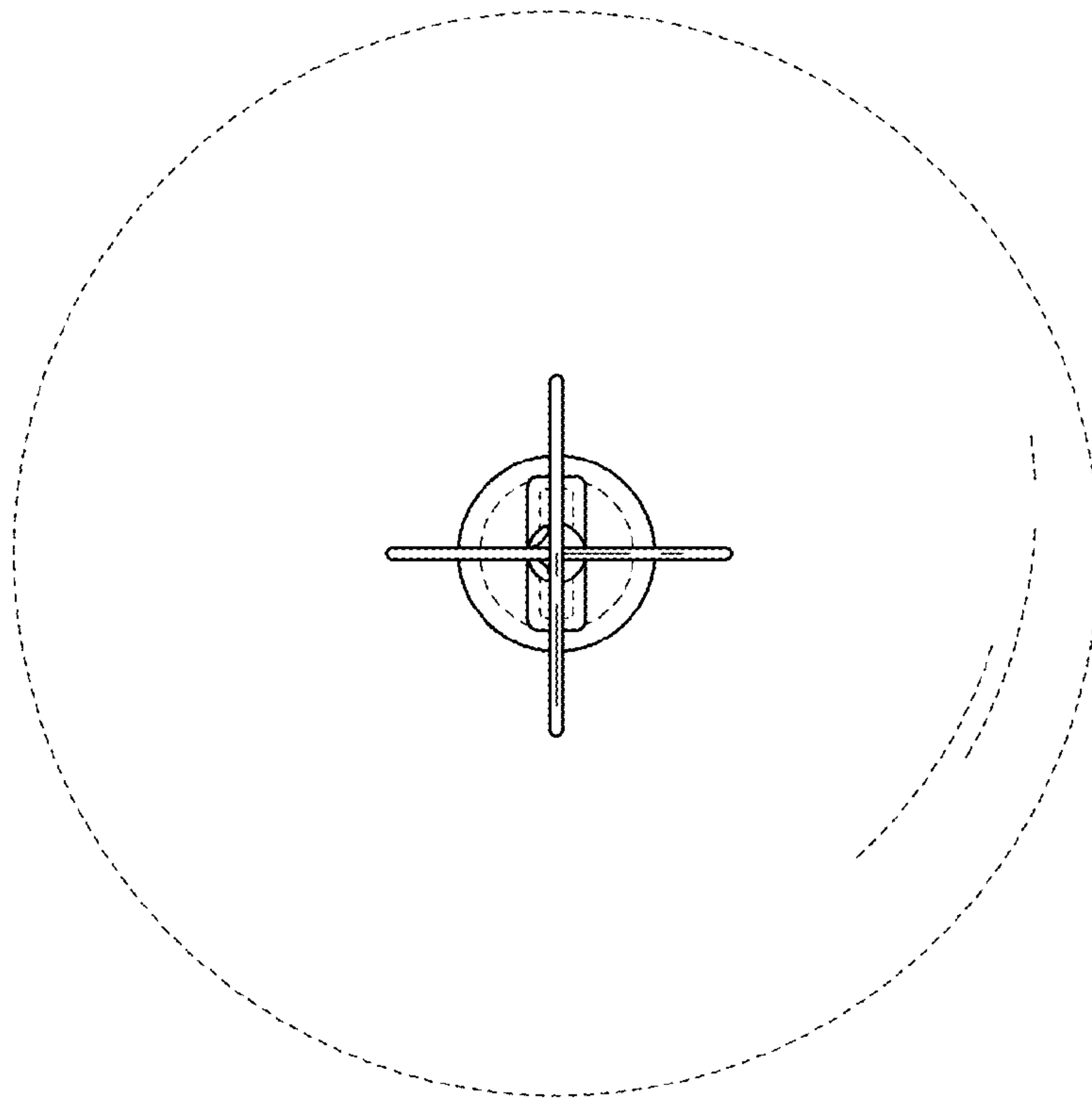


FIG. 6

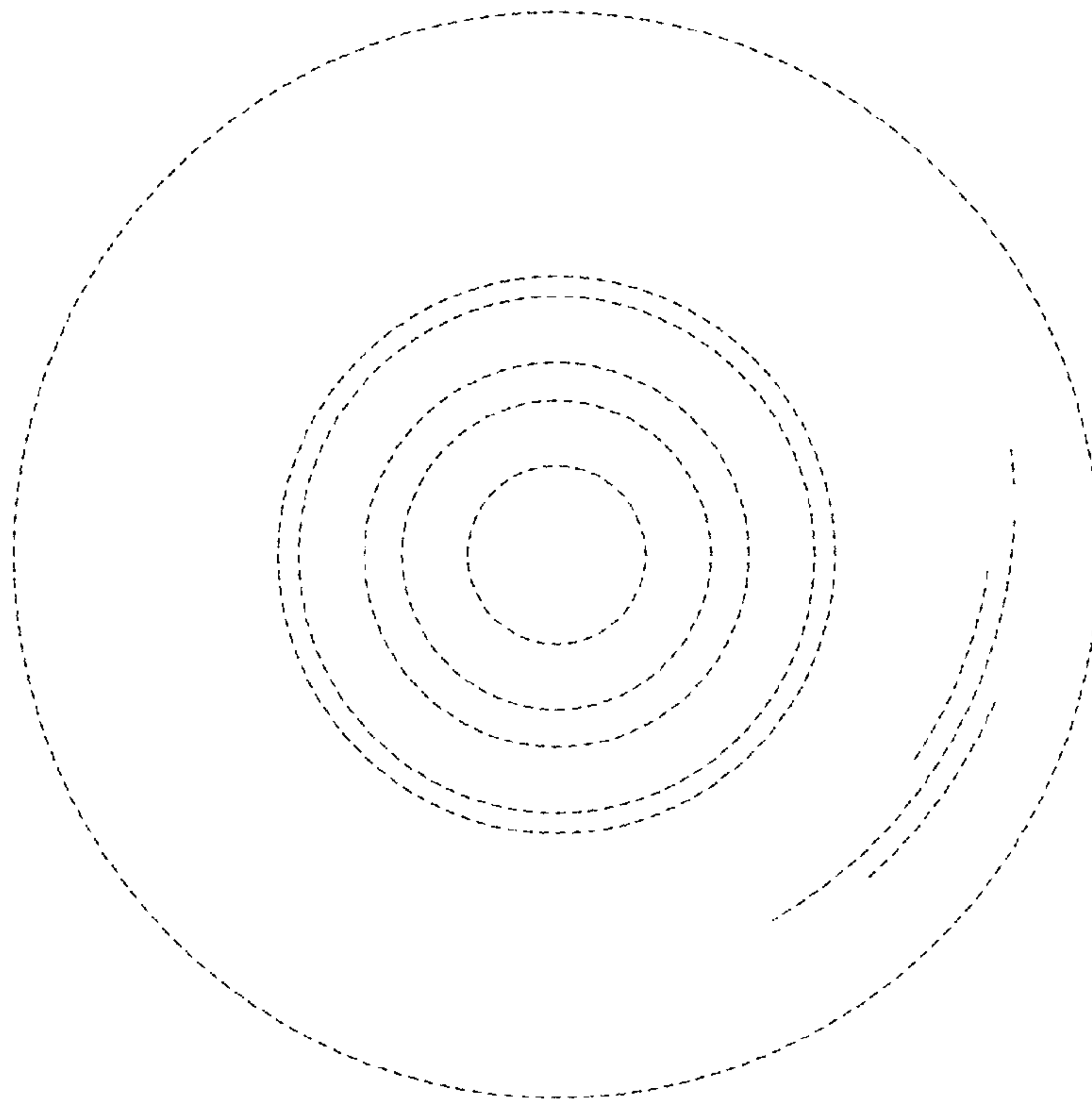


FIG. 7

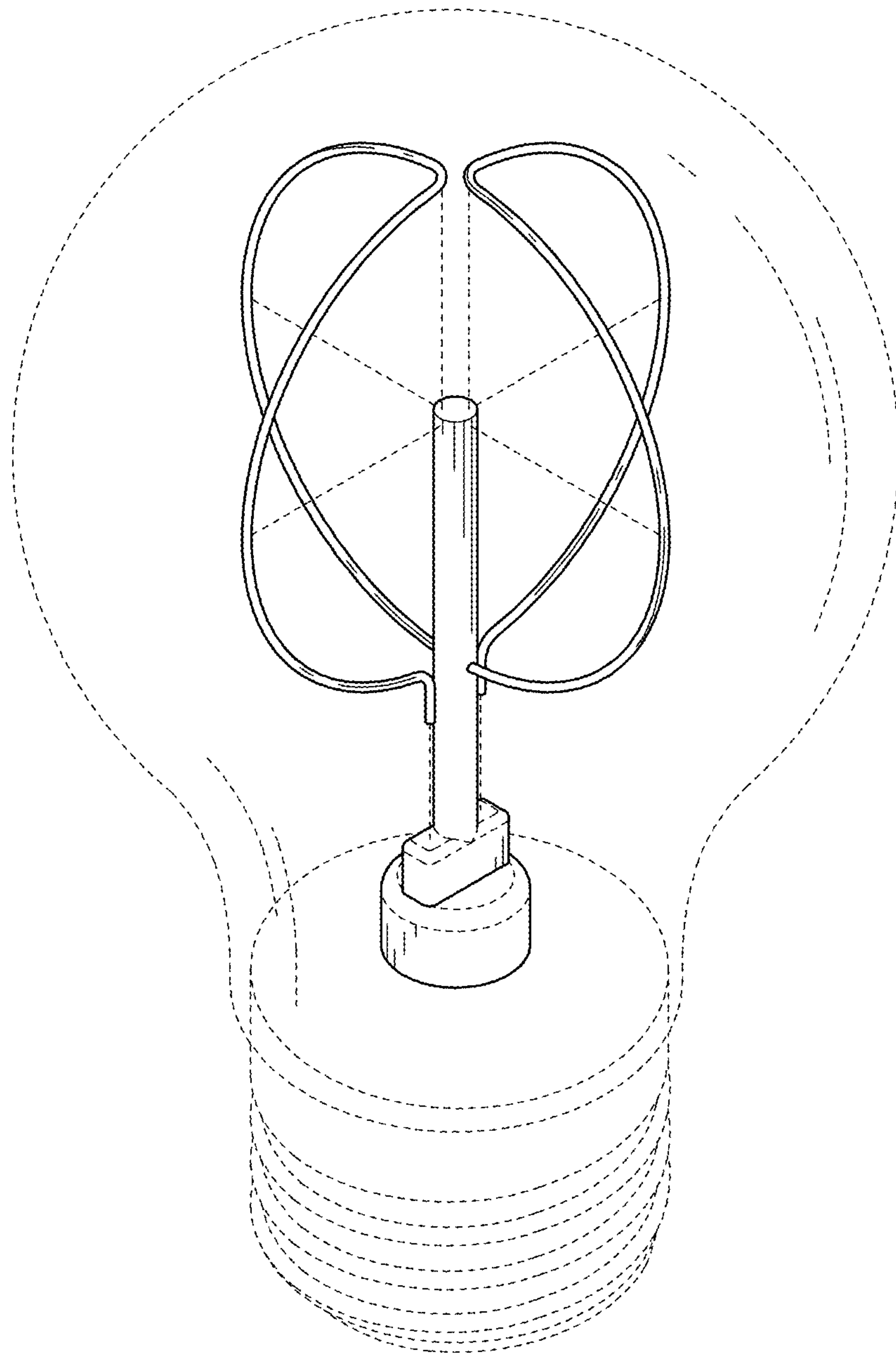


FIG. 8

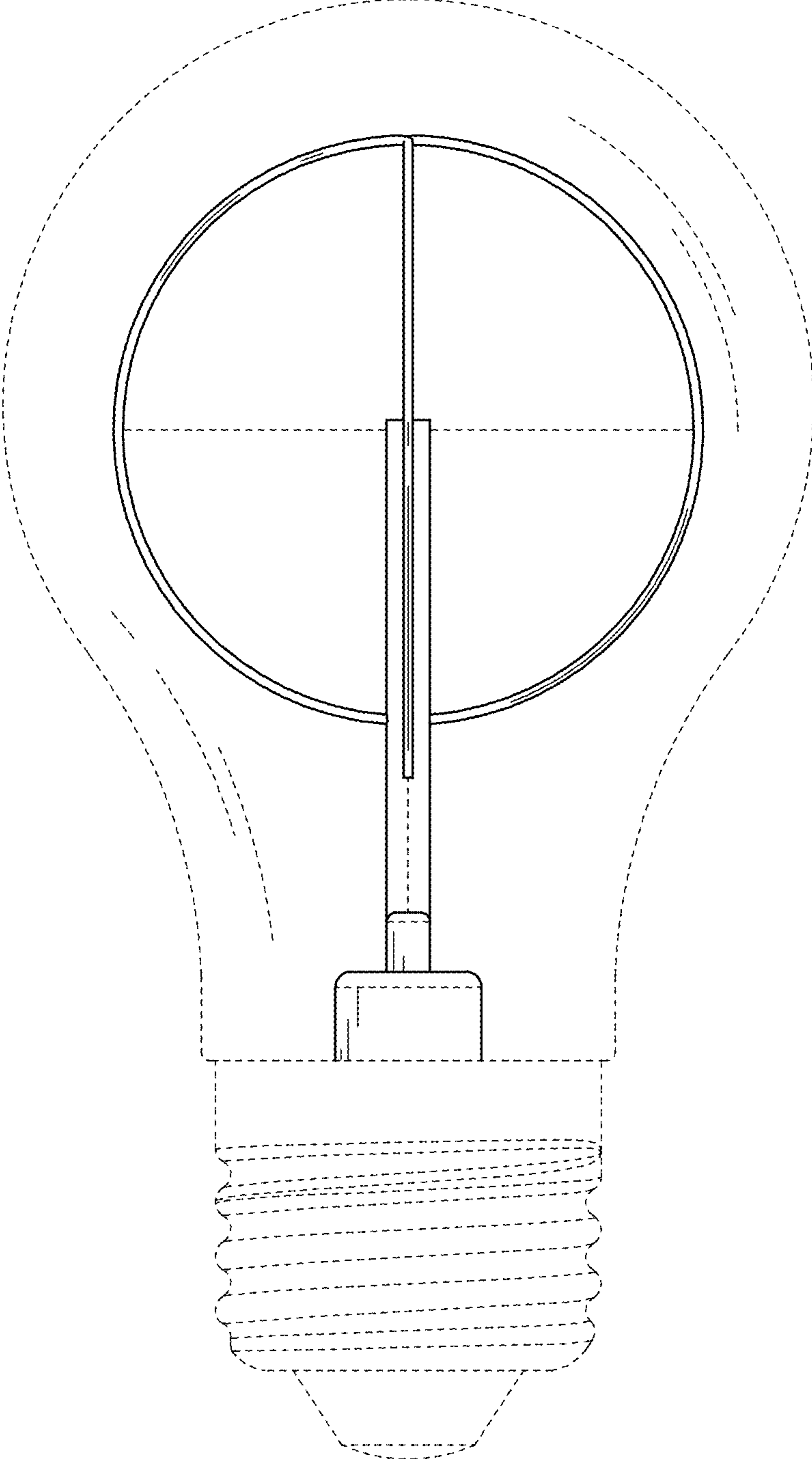


FIG. 9

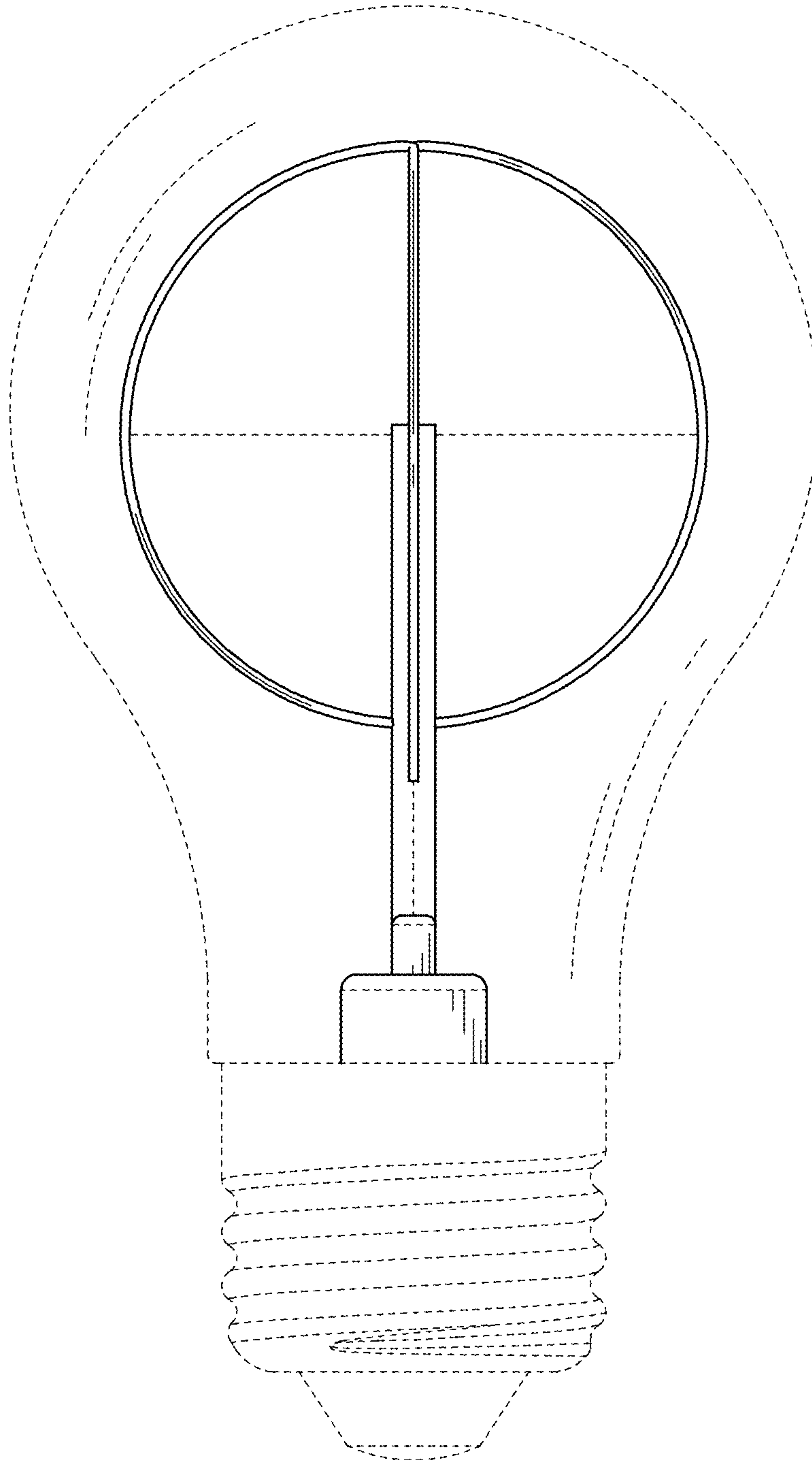


FIG. 10

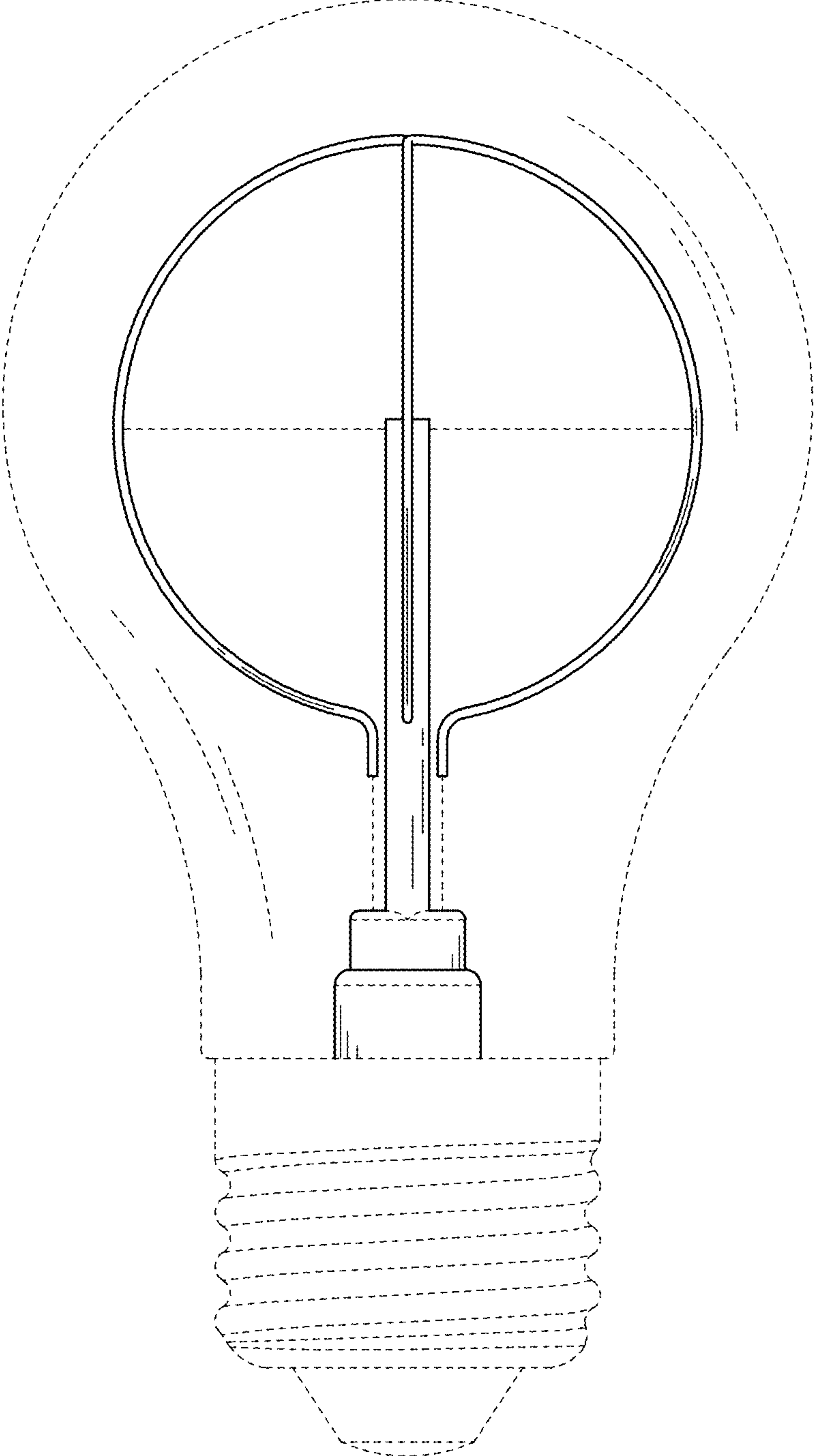


FIG. 11



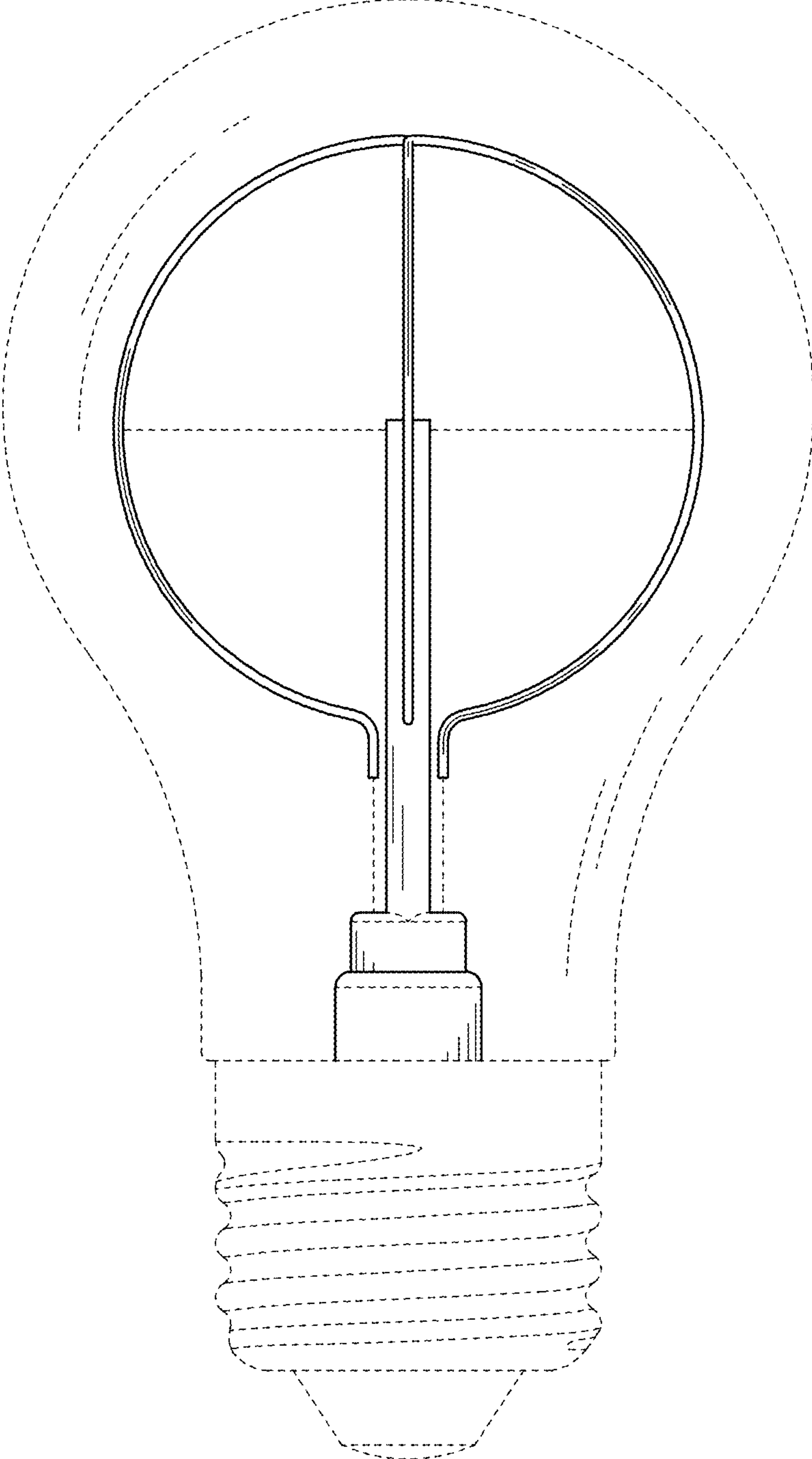


FIG. 12

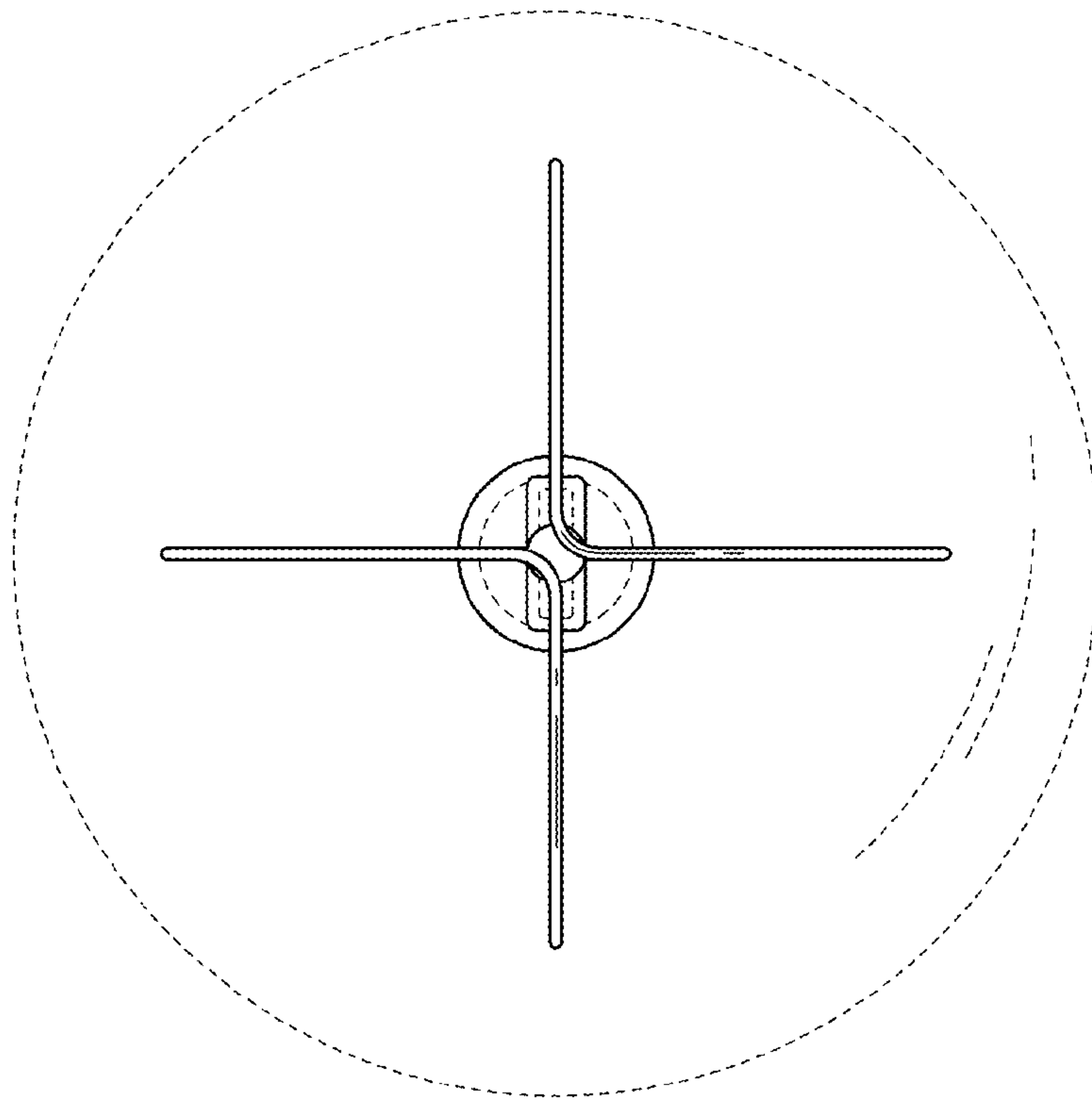


FIG. 13

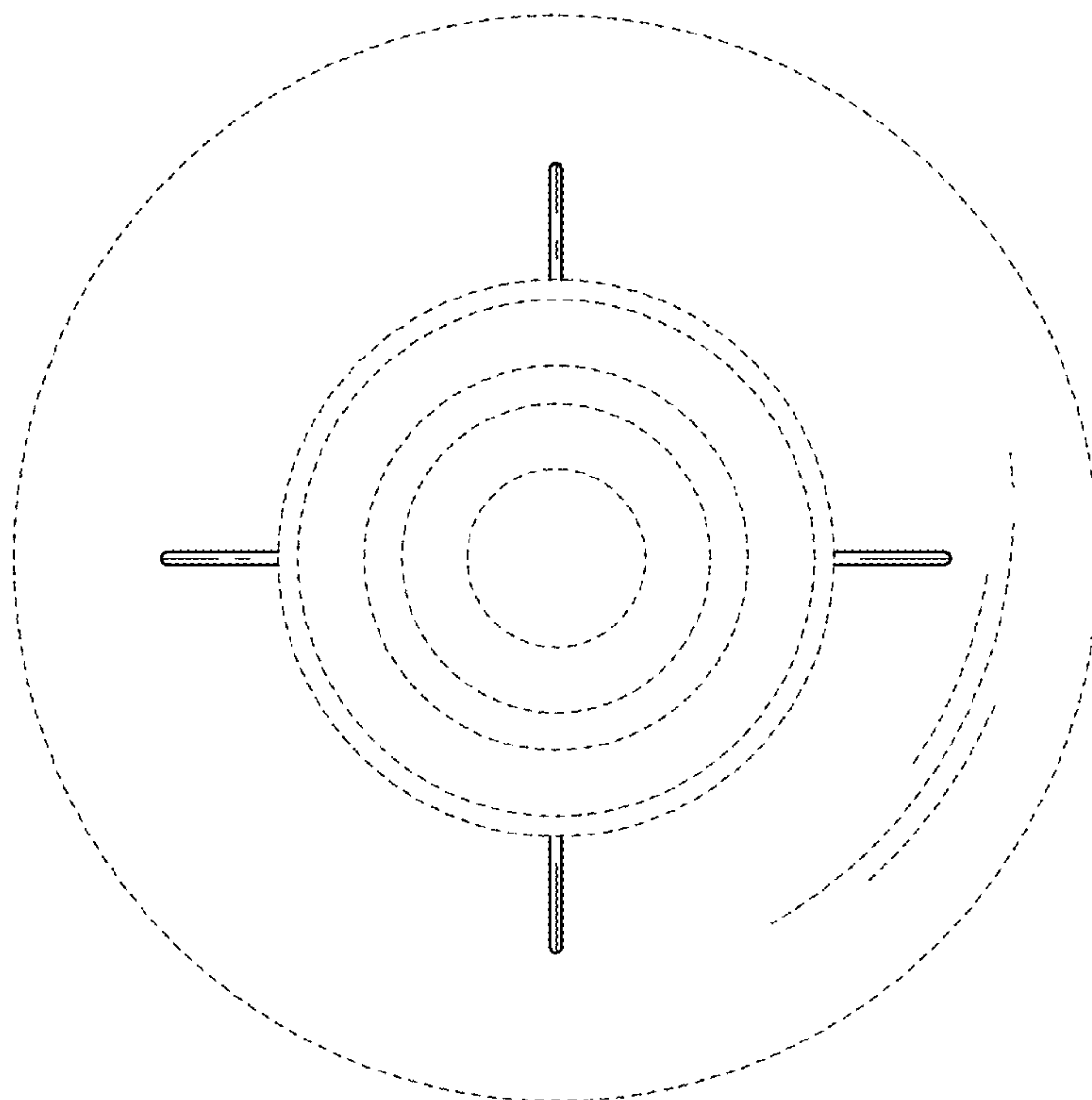


FIG. 14

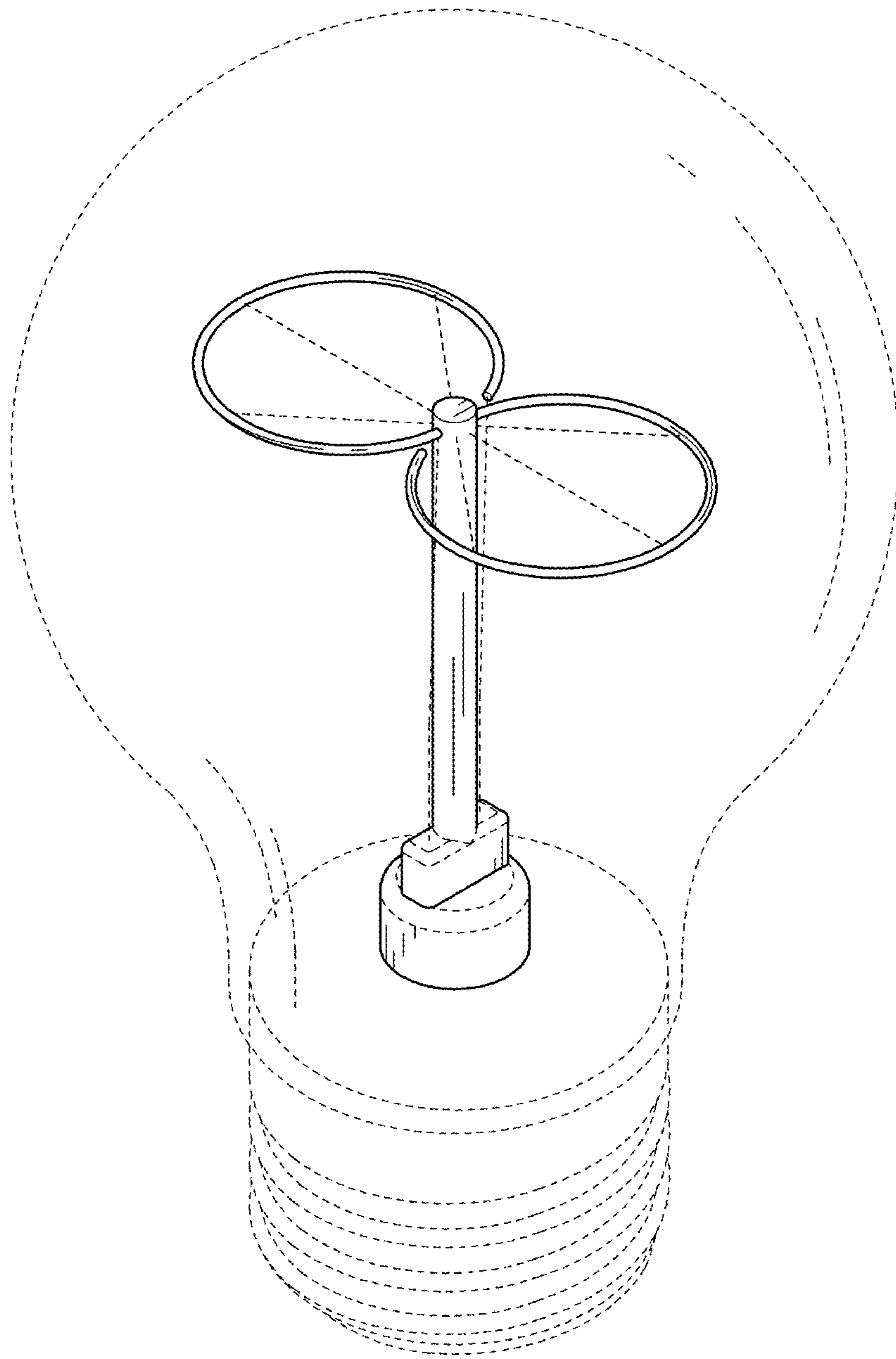


FIG.15

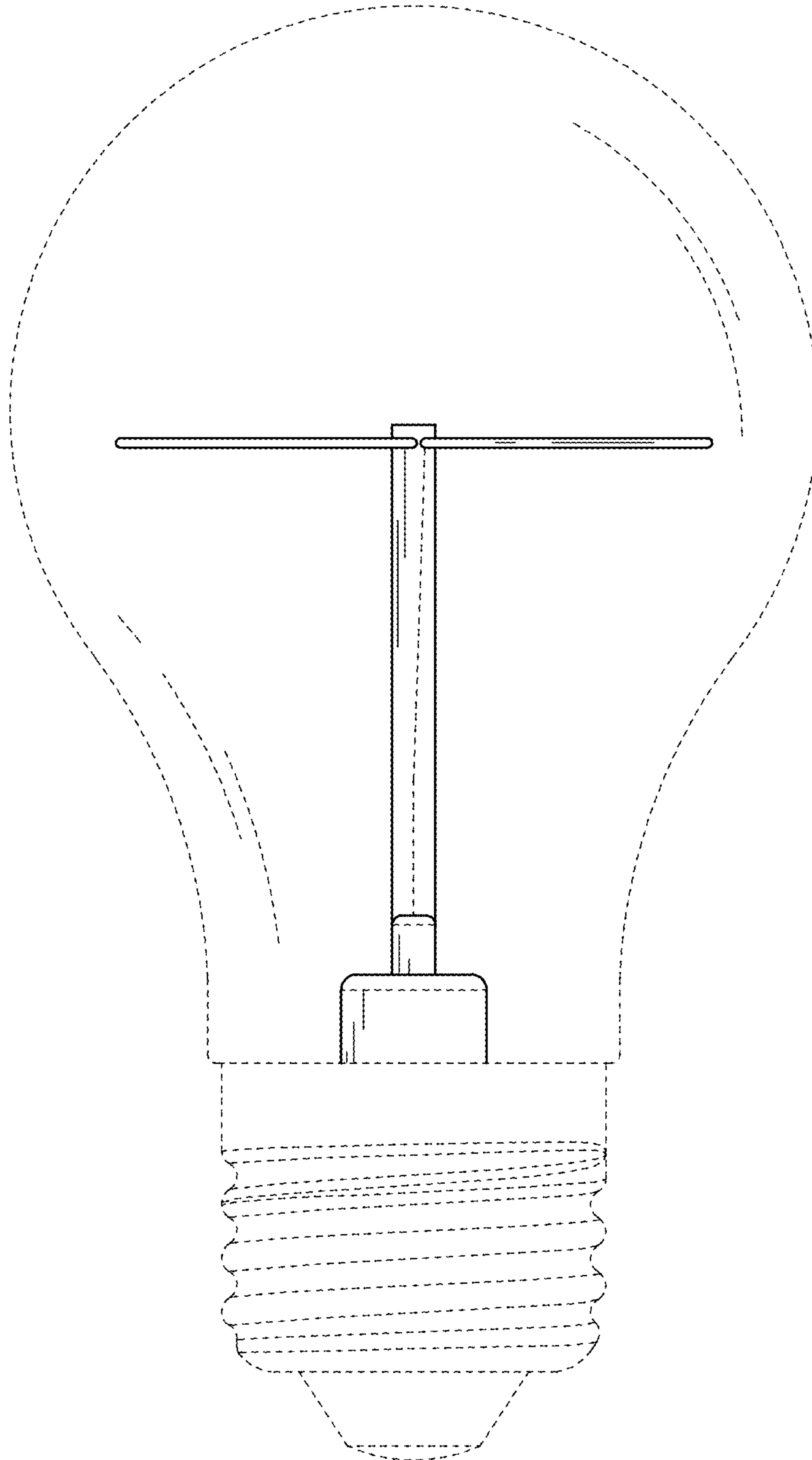


FIG. 16

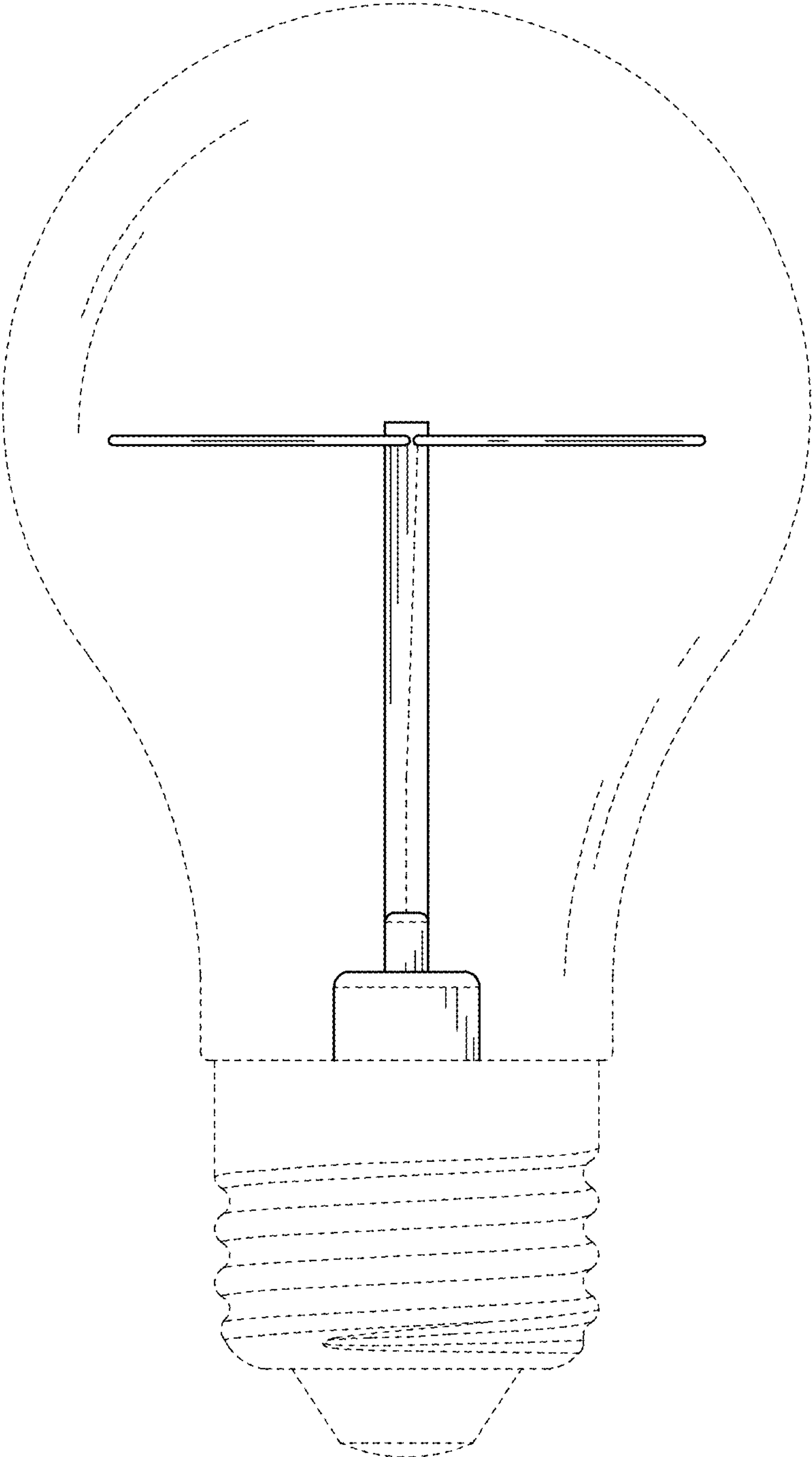


FIG. 17



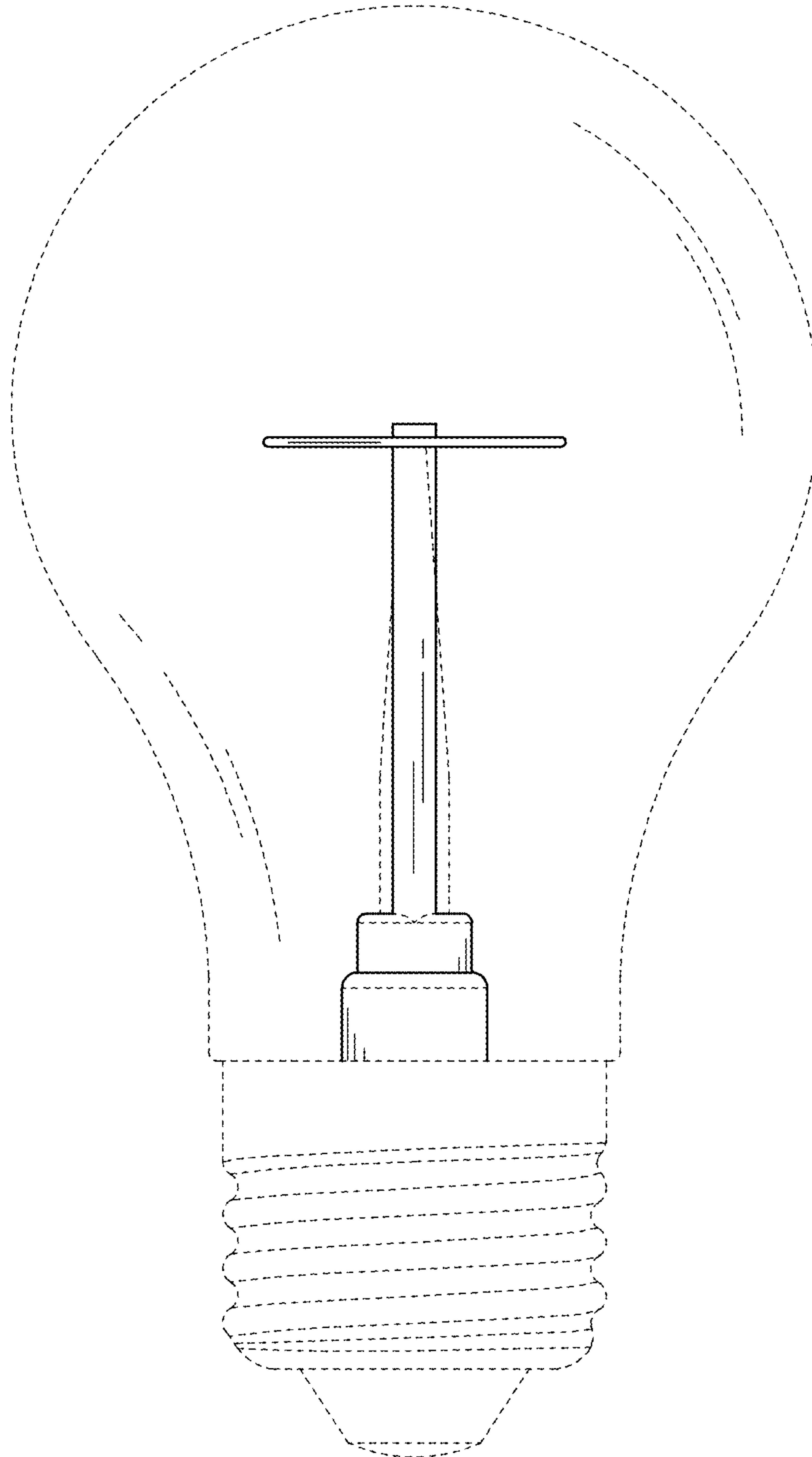


FIG. 18

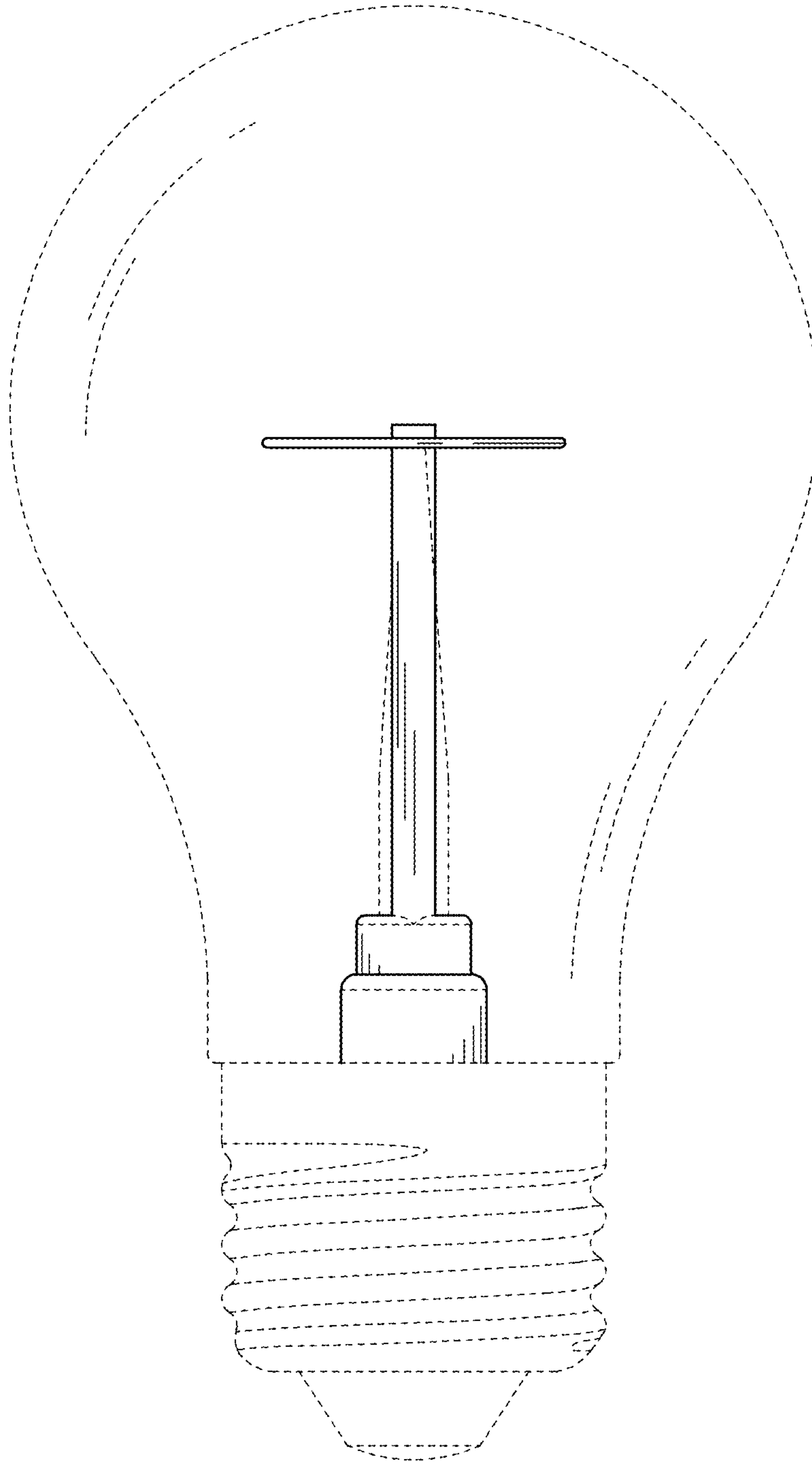


FIG. 19

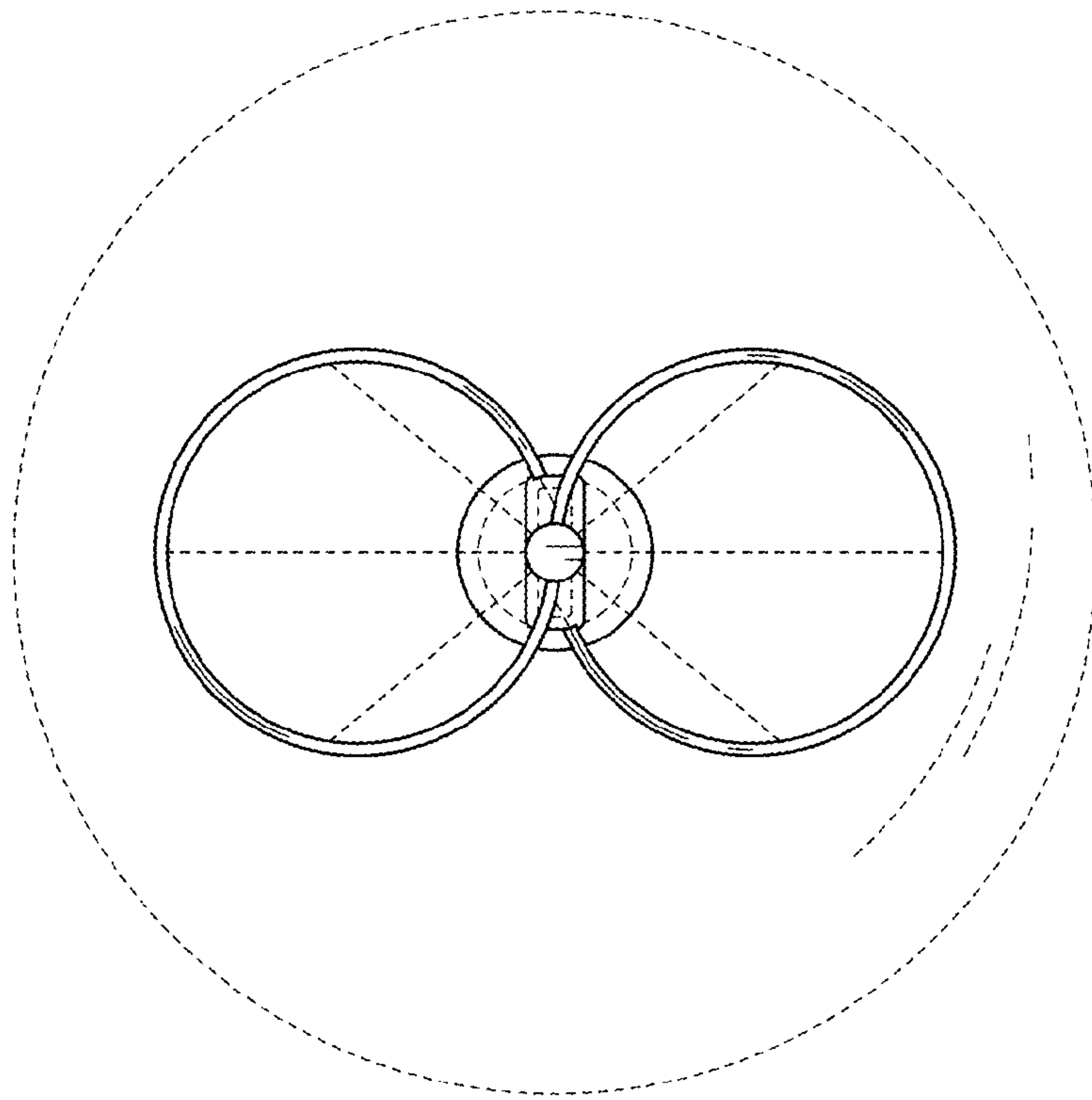


FIG.20

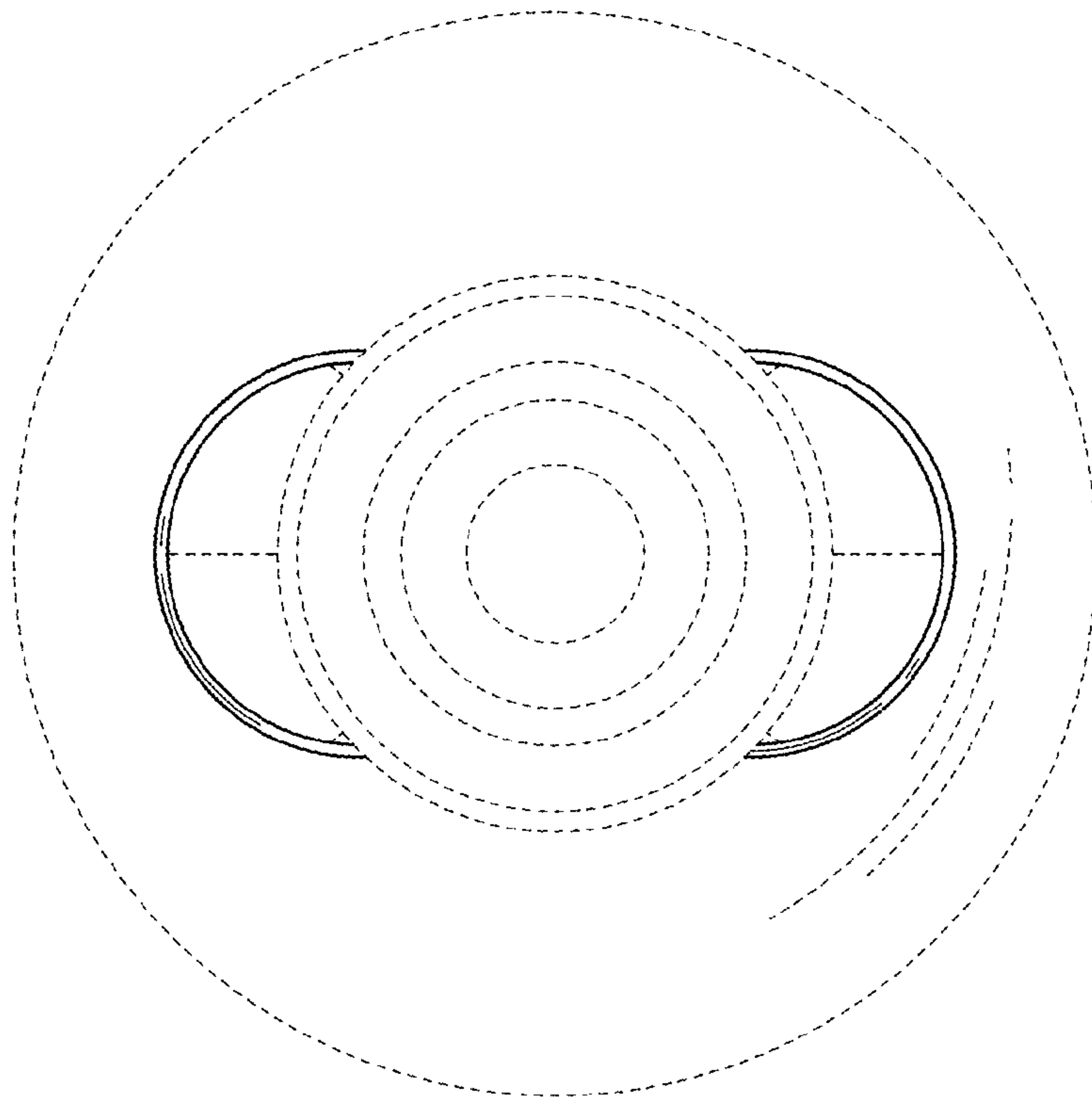


FIG.21

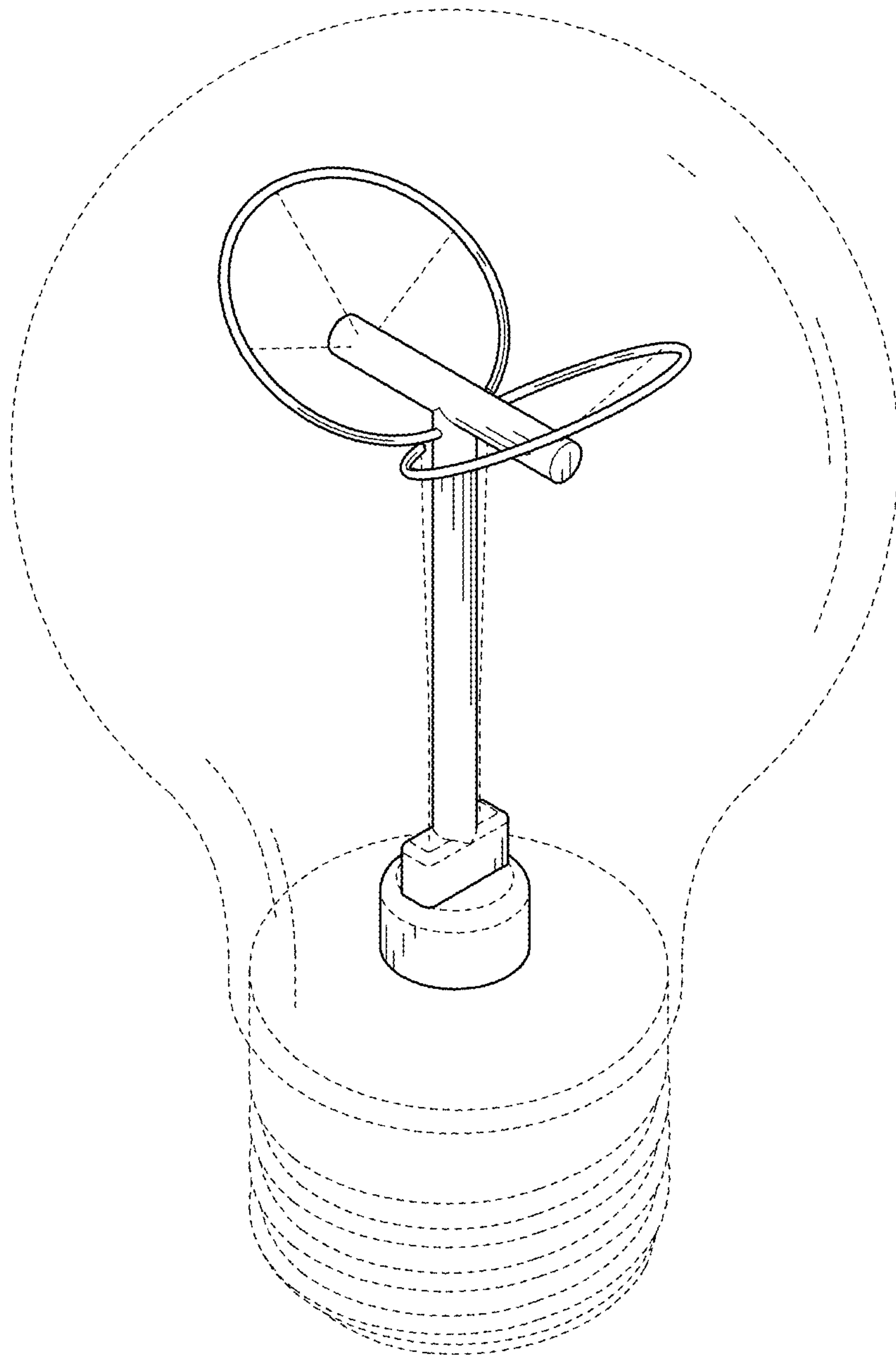


FIG.22

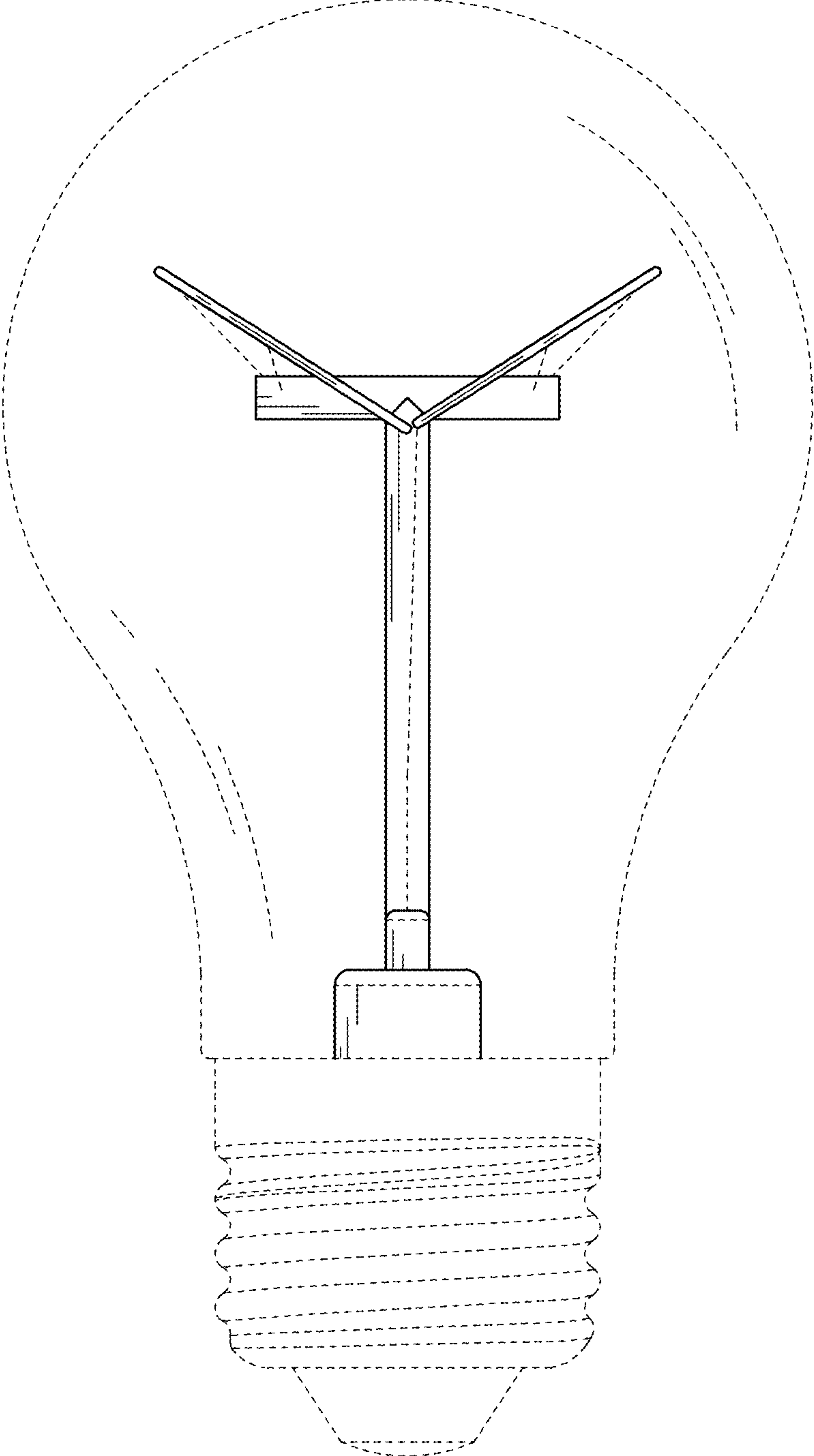


FIG.23



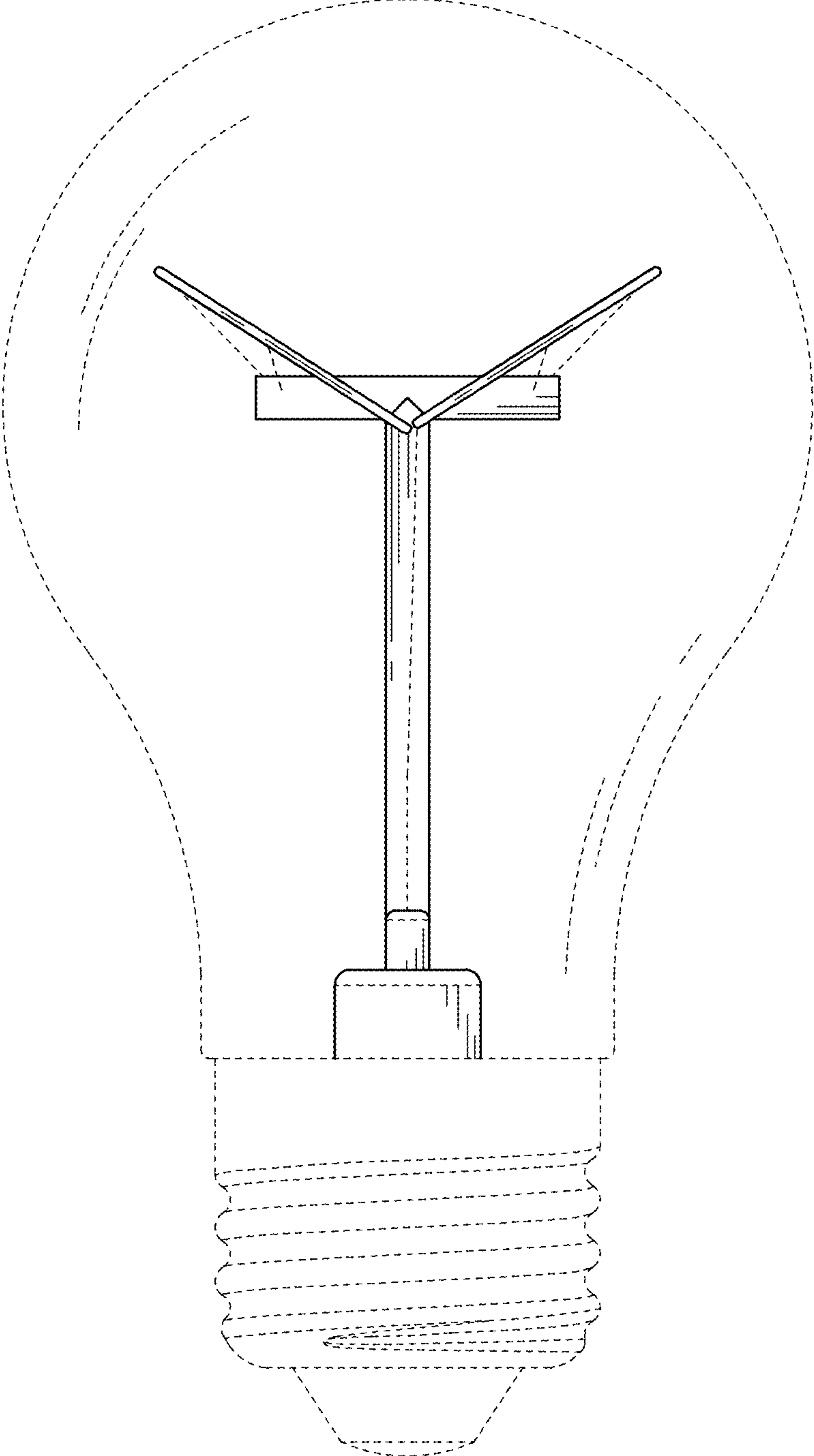


FIG.24

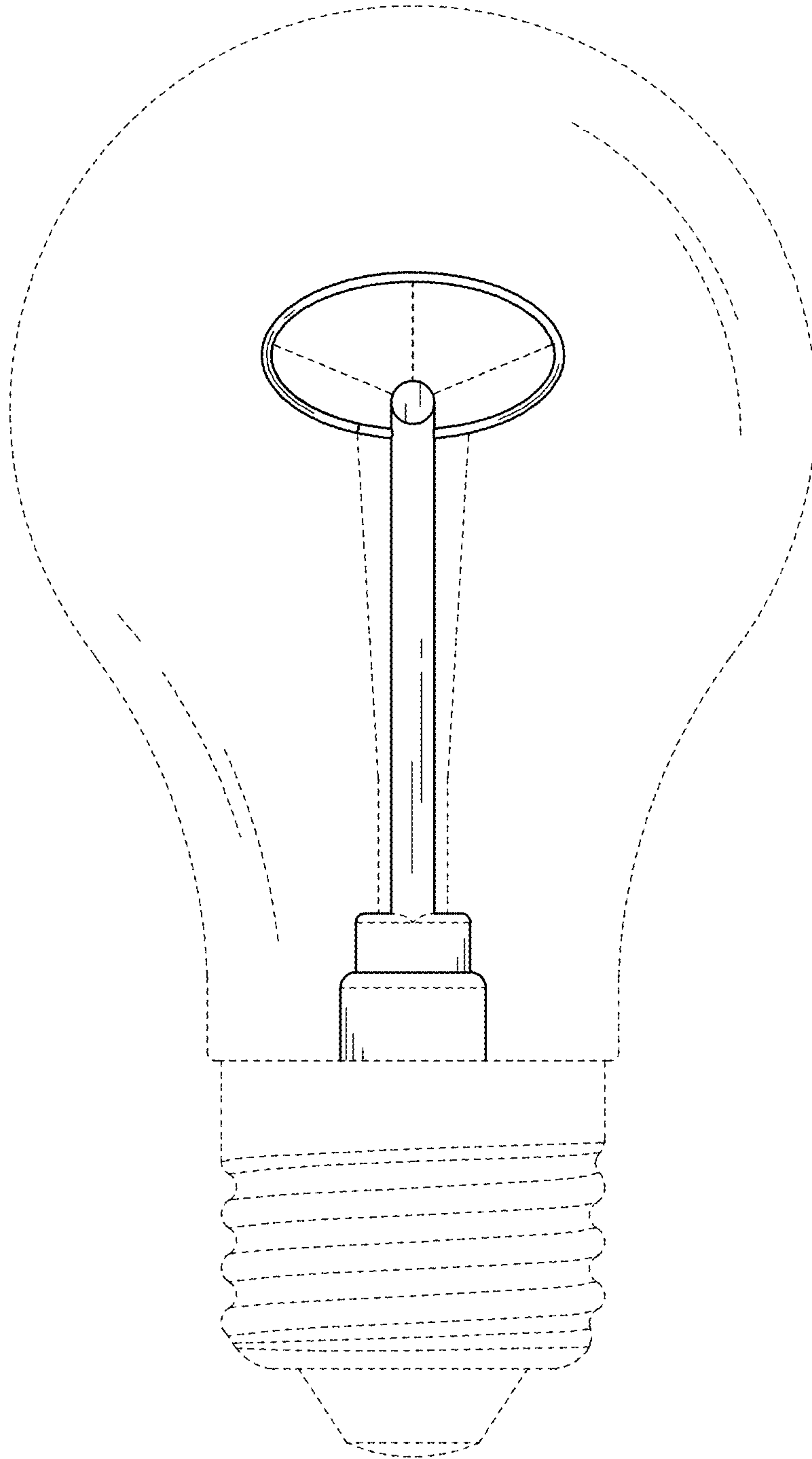


FIG.25

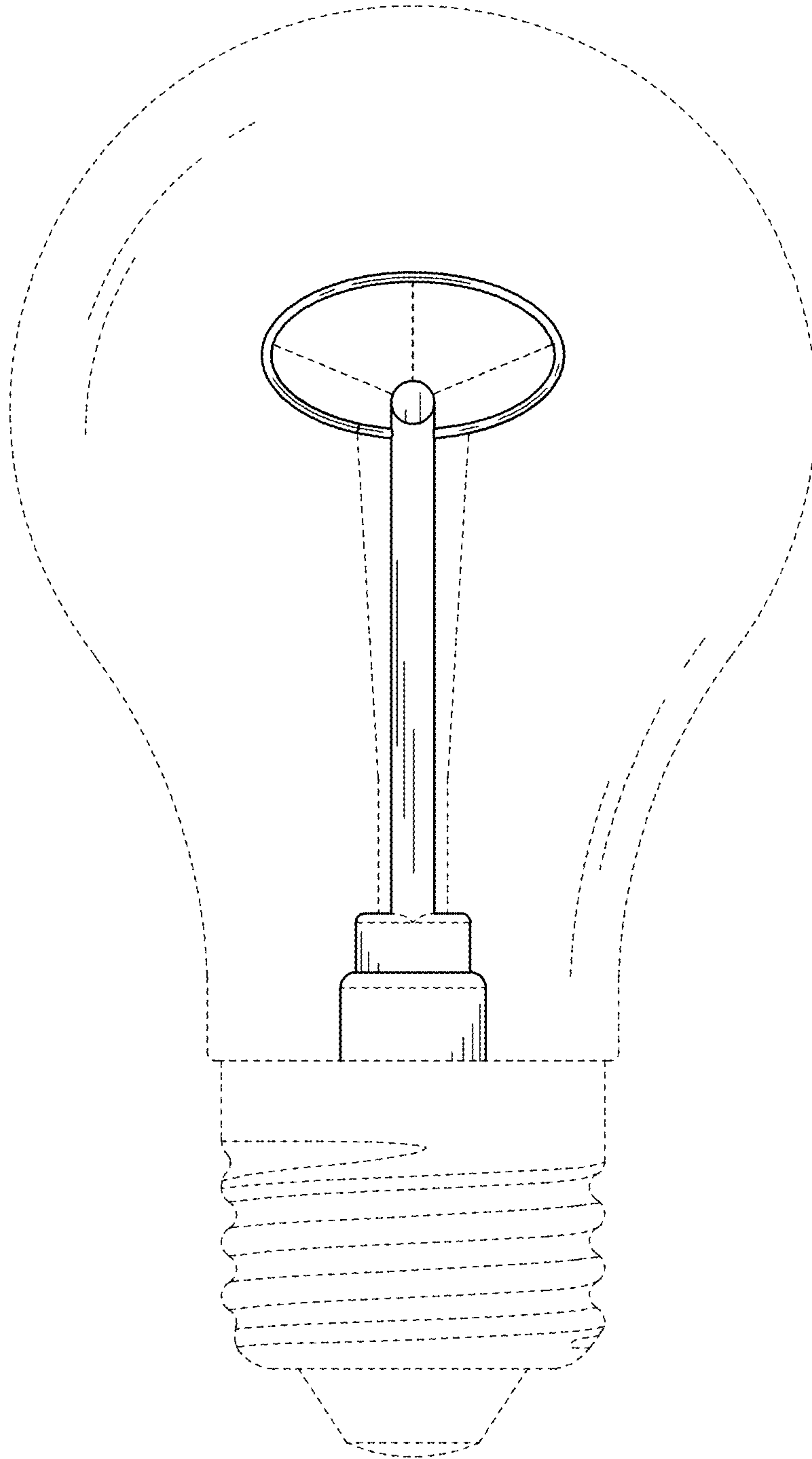


FIG.26

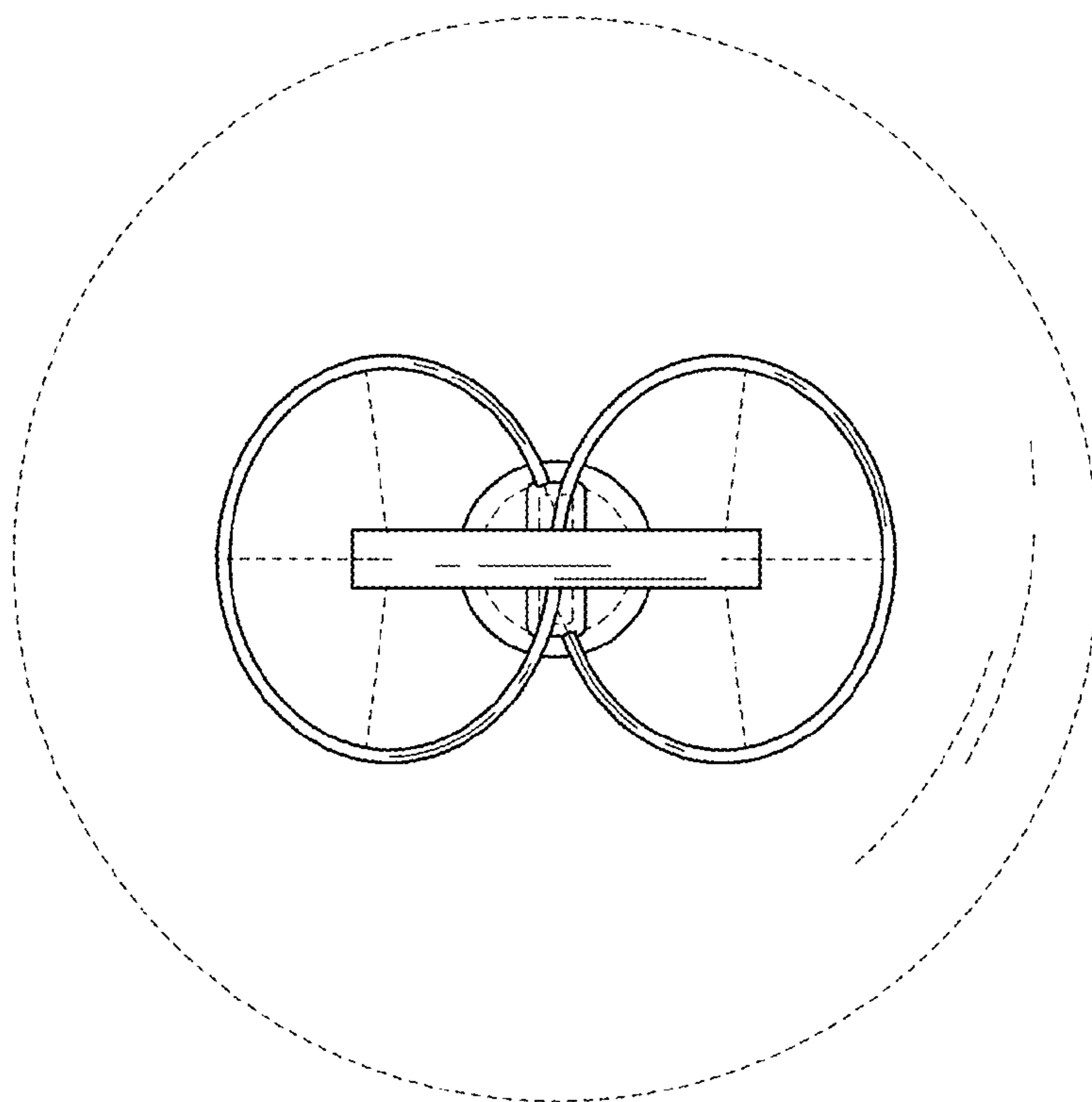


FIG. 27

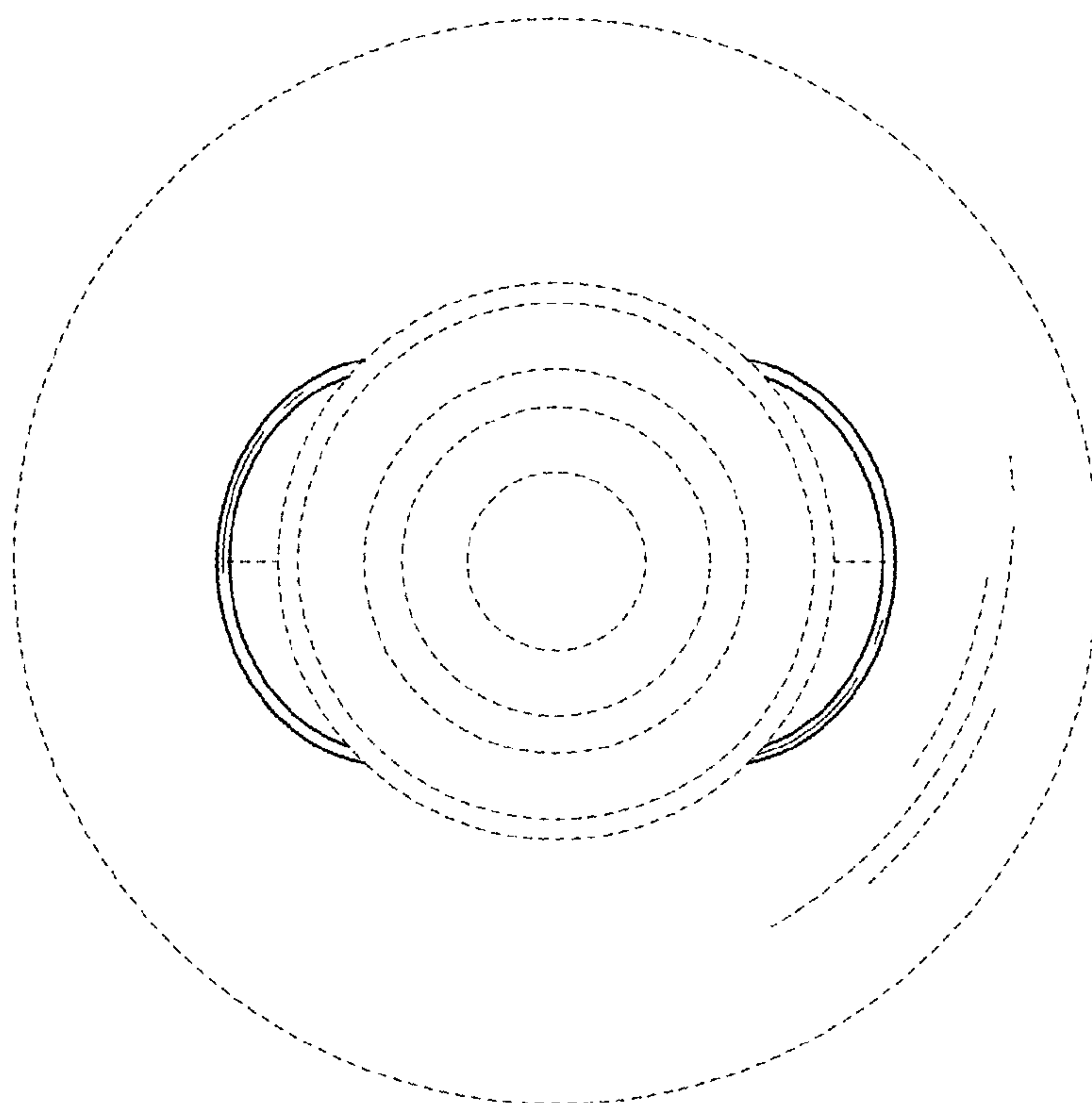


FIG. 28

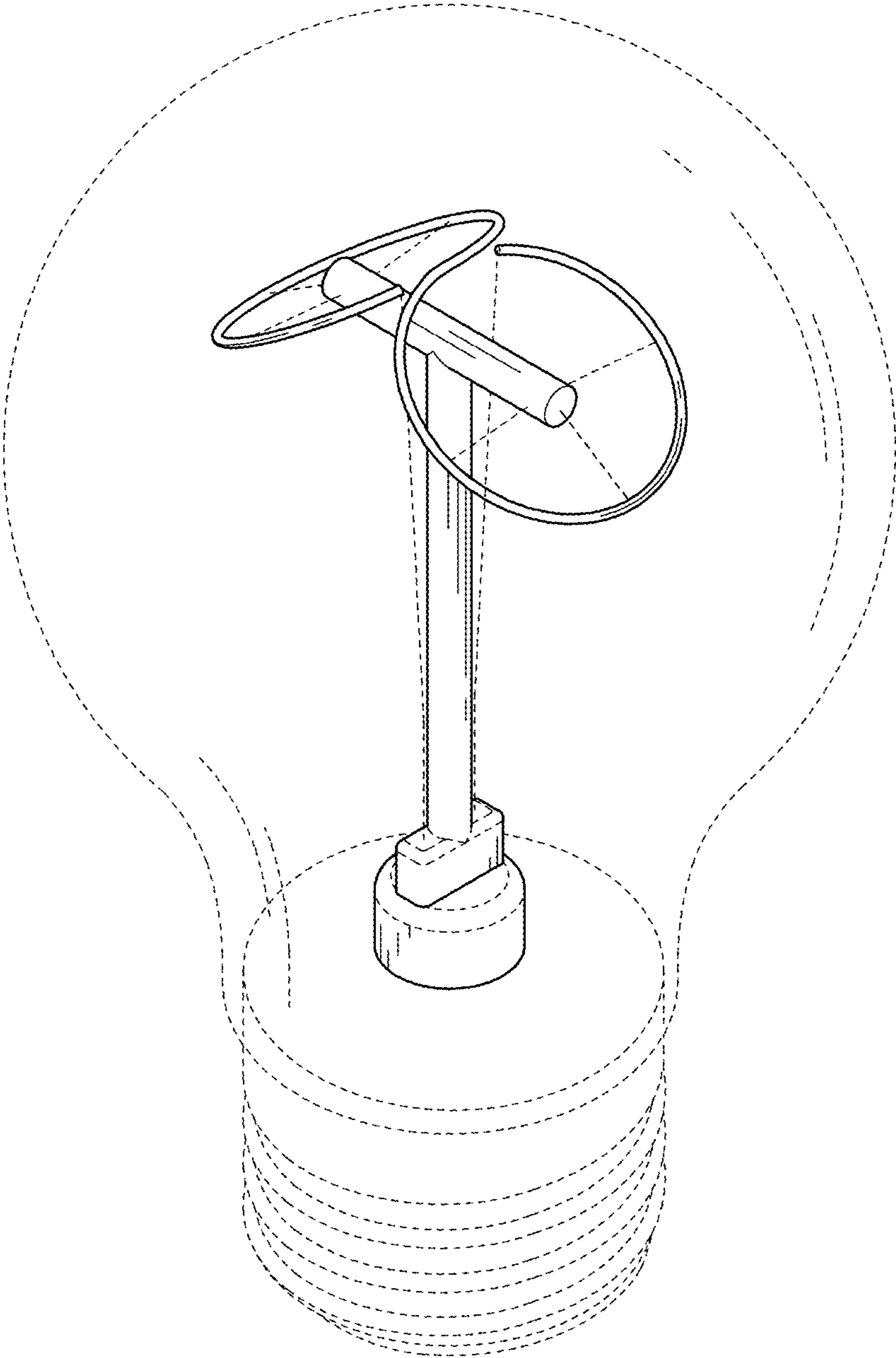


FIG.29



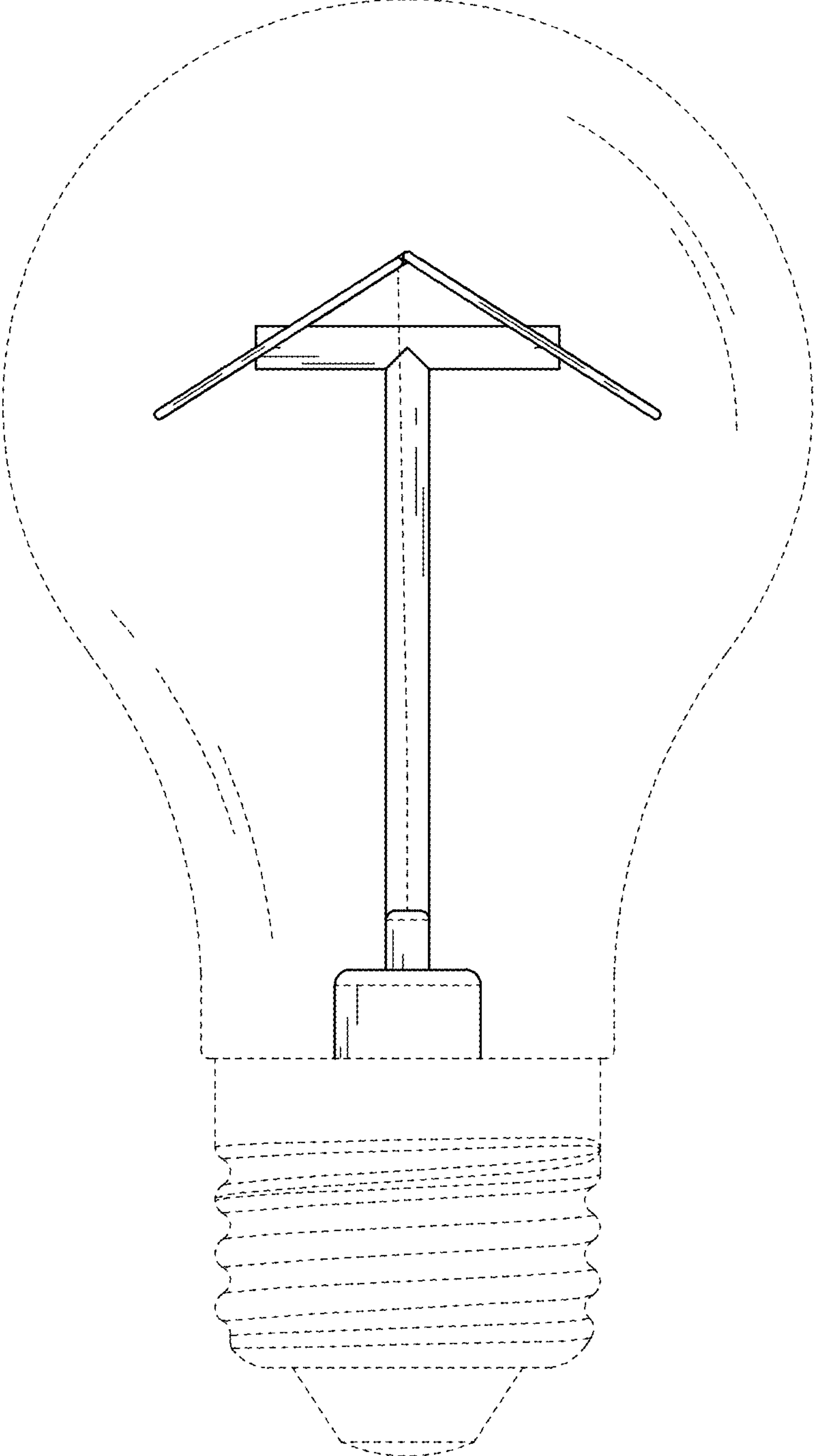


FIG.30

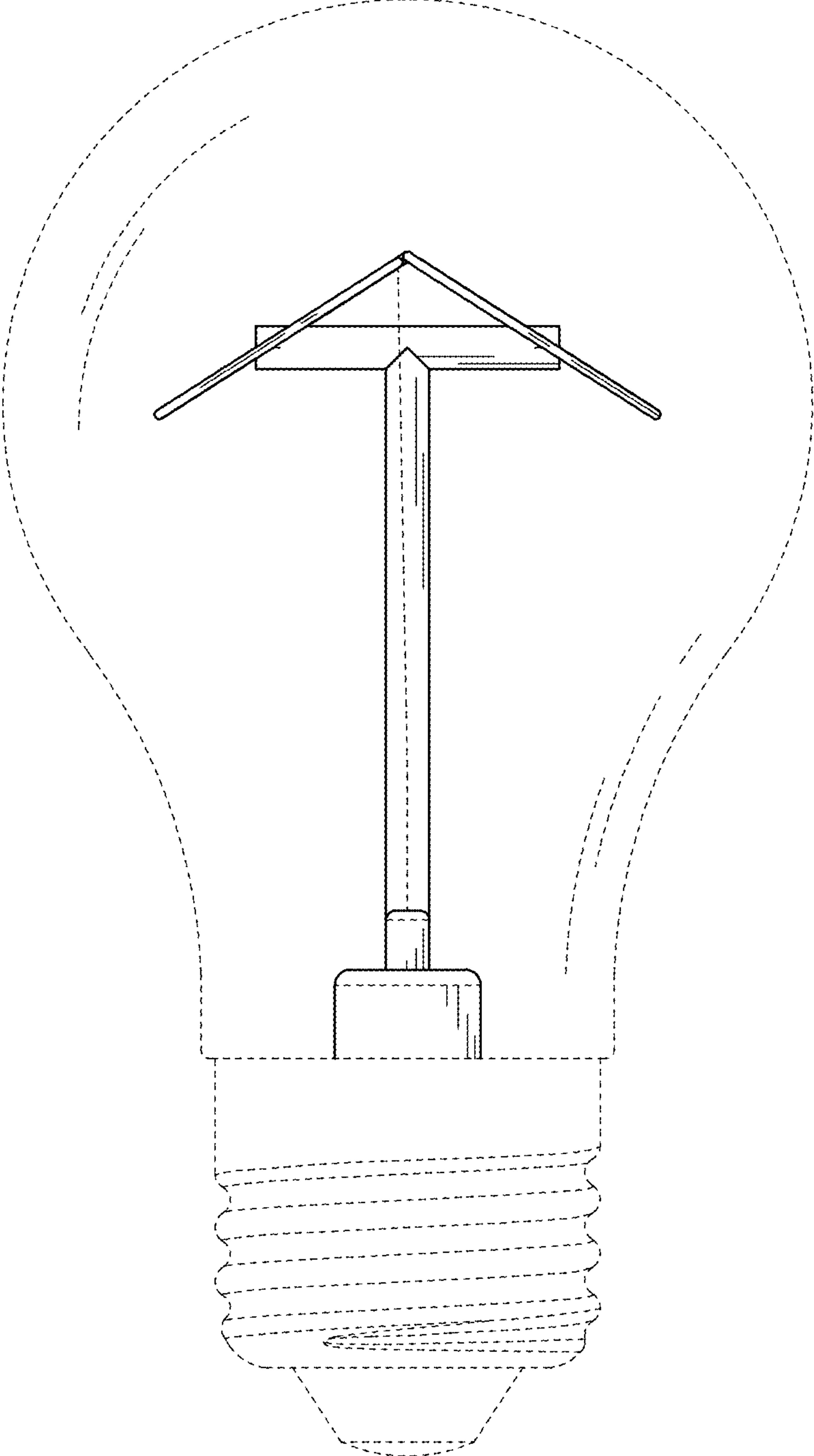


FIG.31

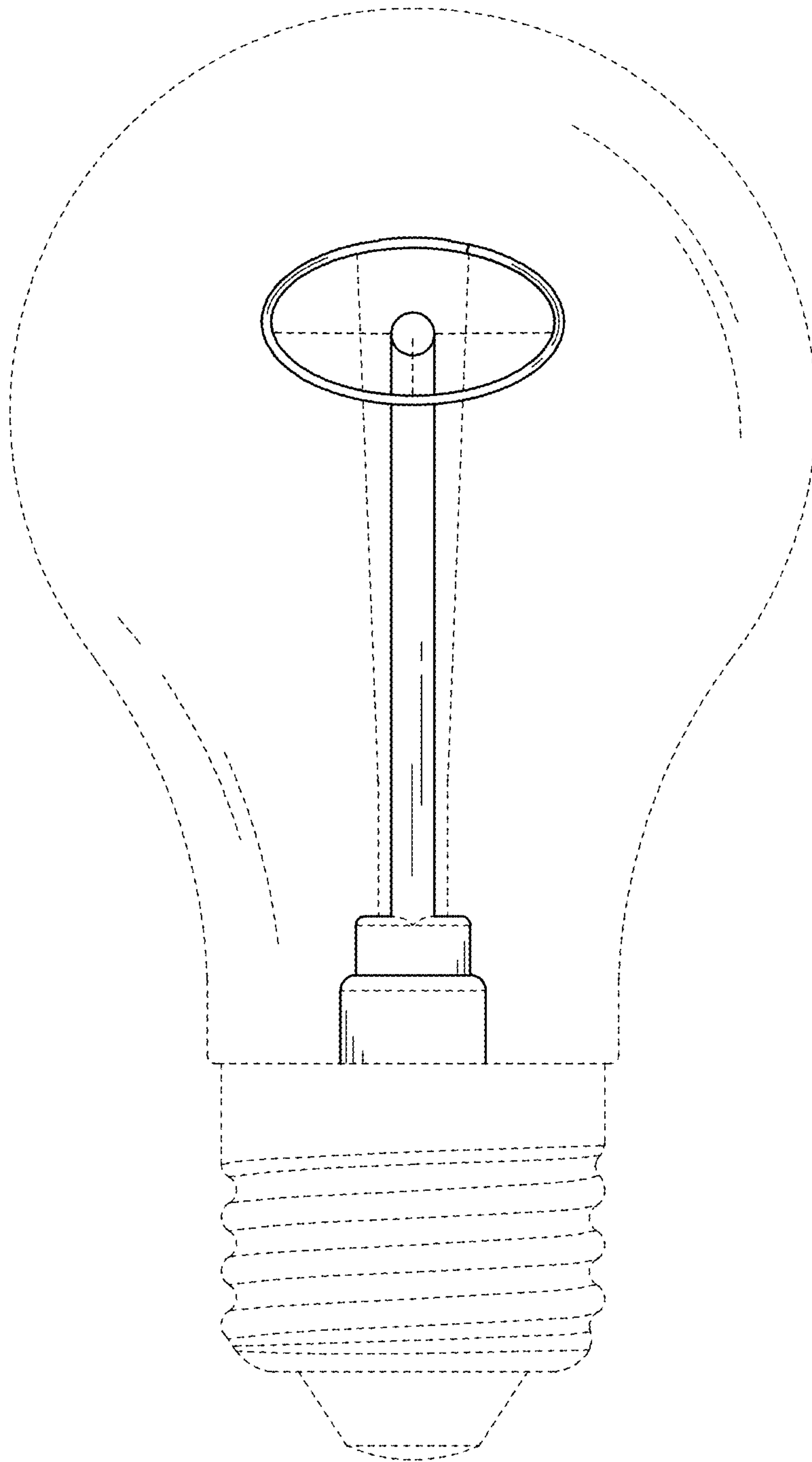


FIG. 32

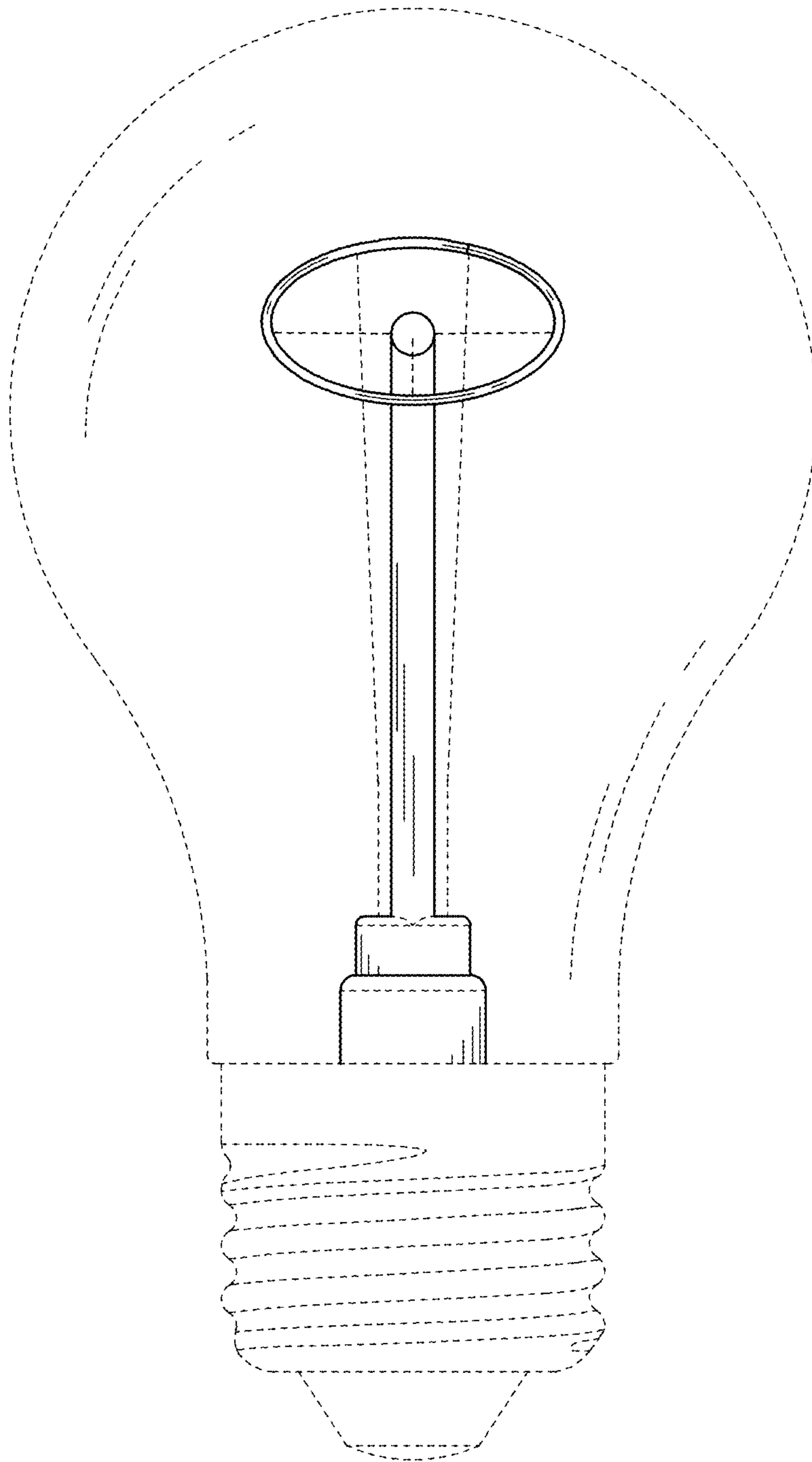


FIG.33

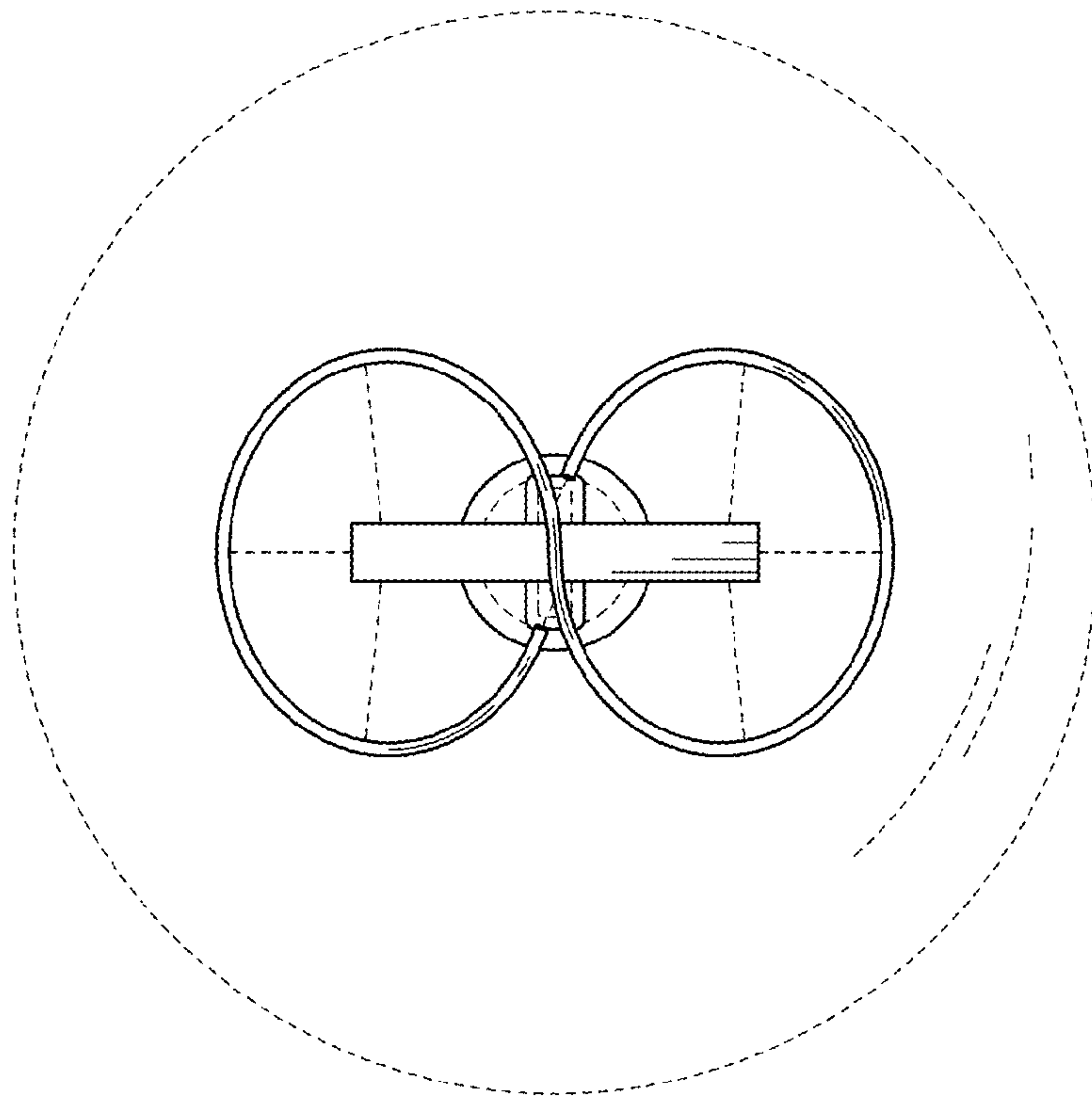


FIG.34

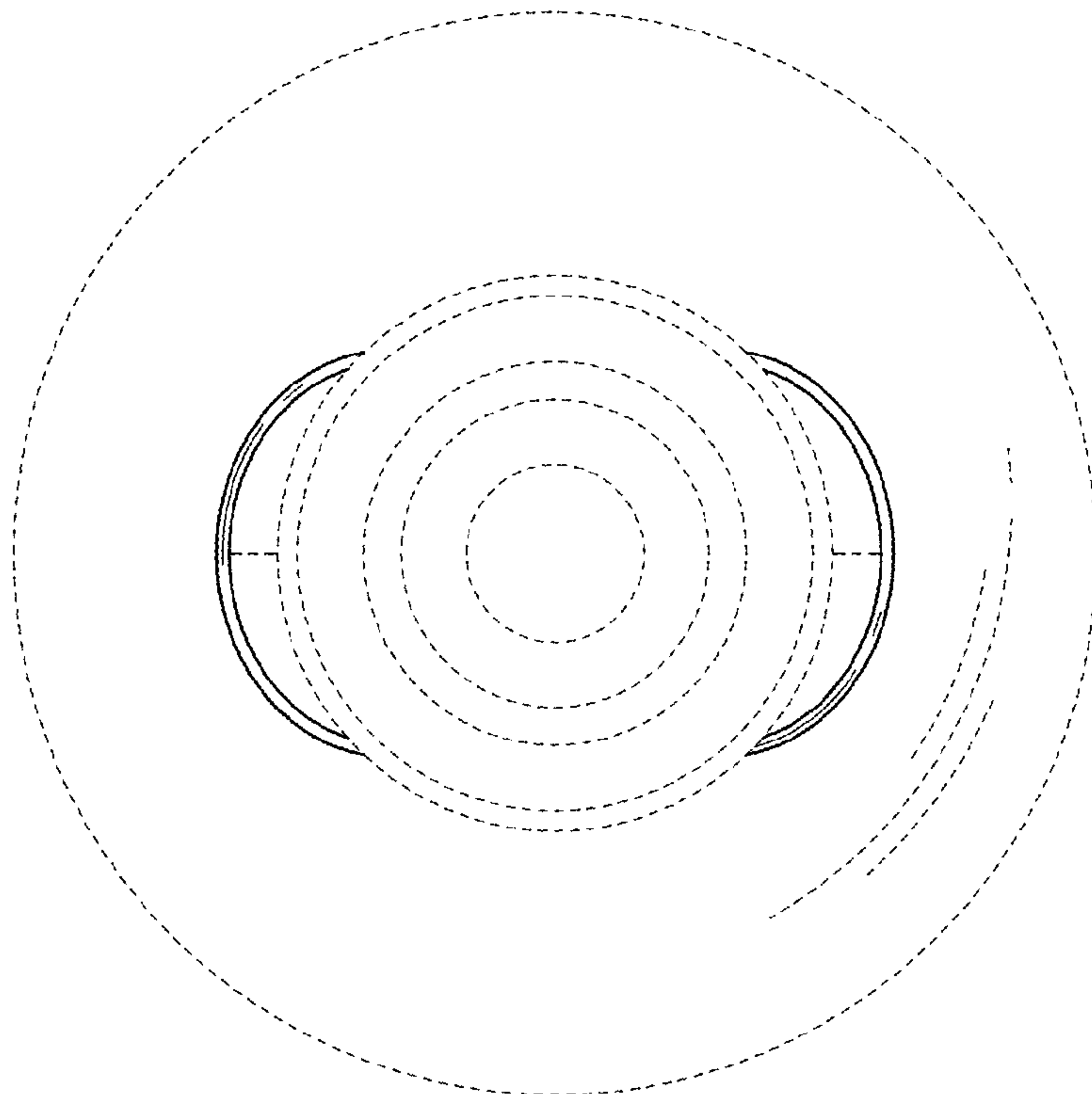


FIG.35

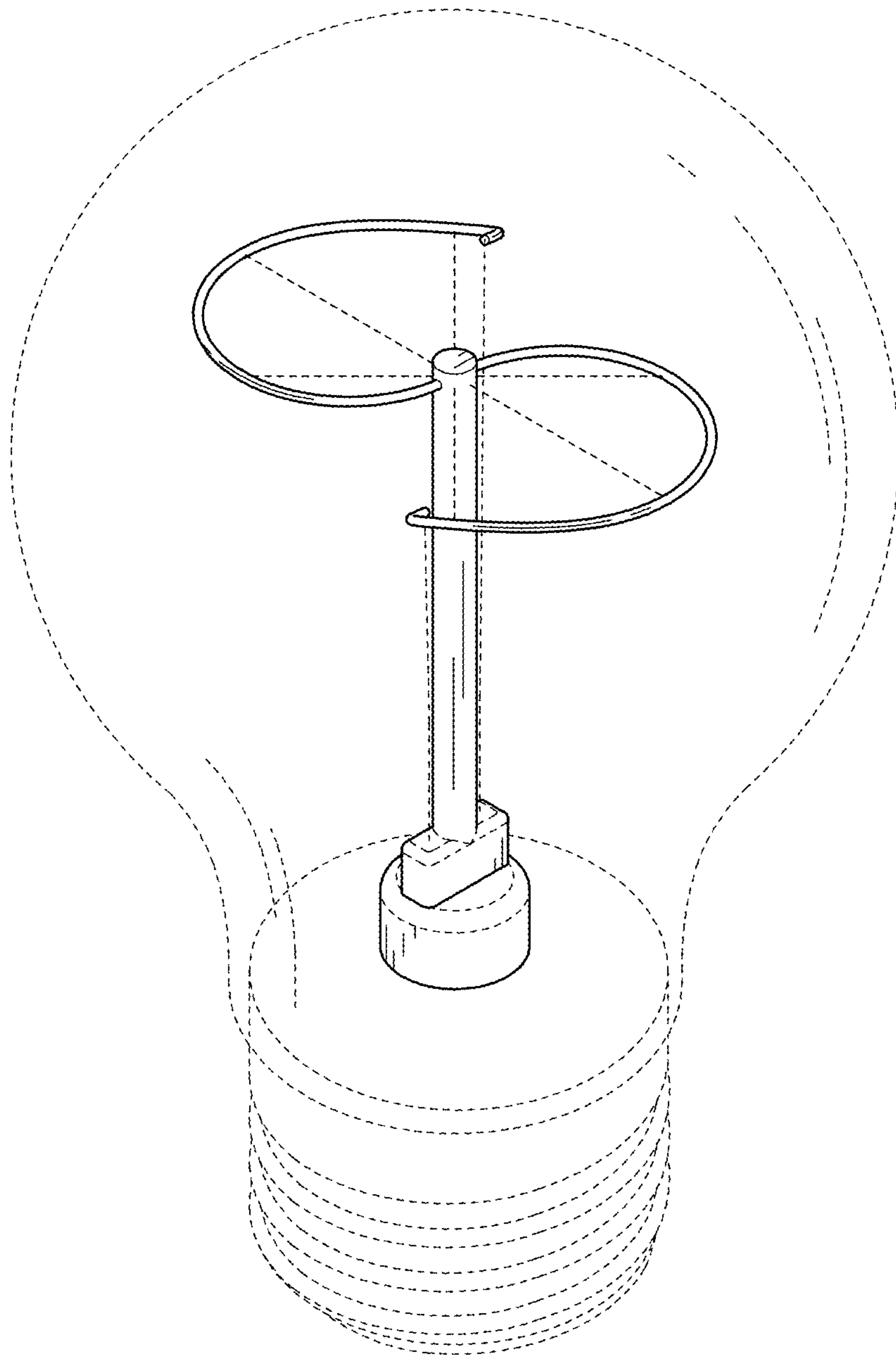


FIG.36



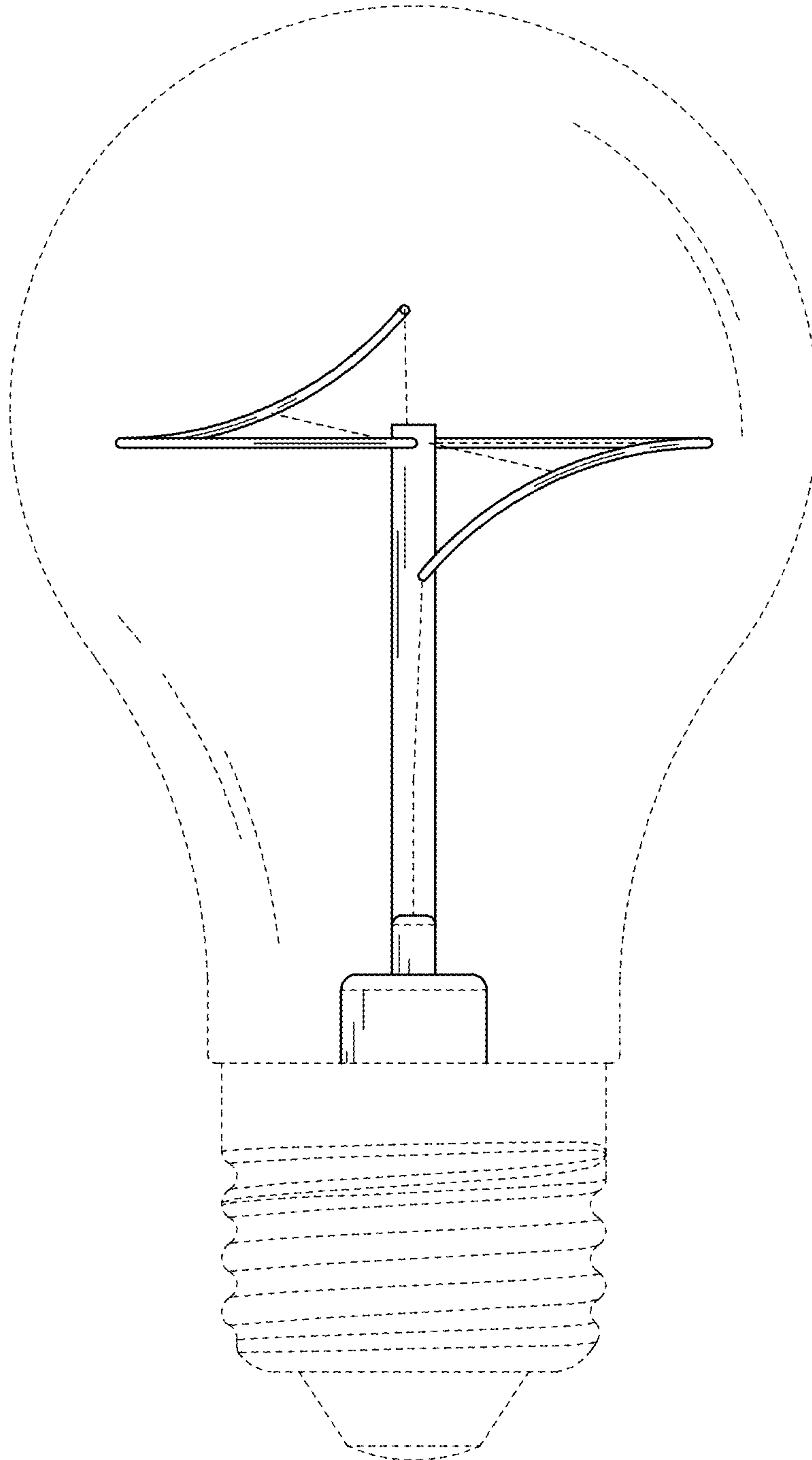


FIG.37

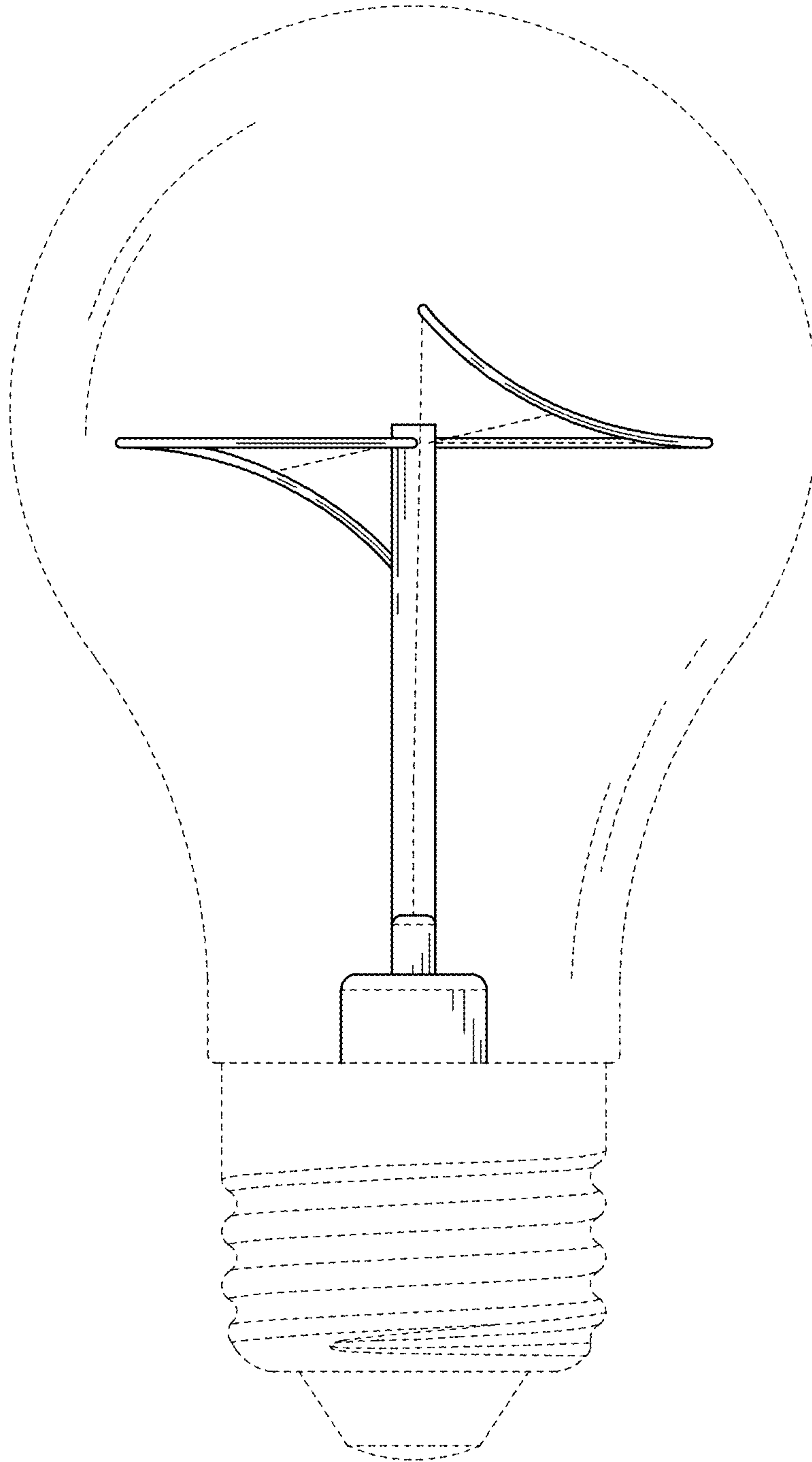


FIG.38

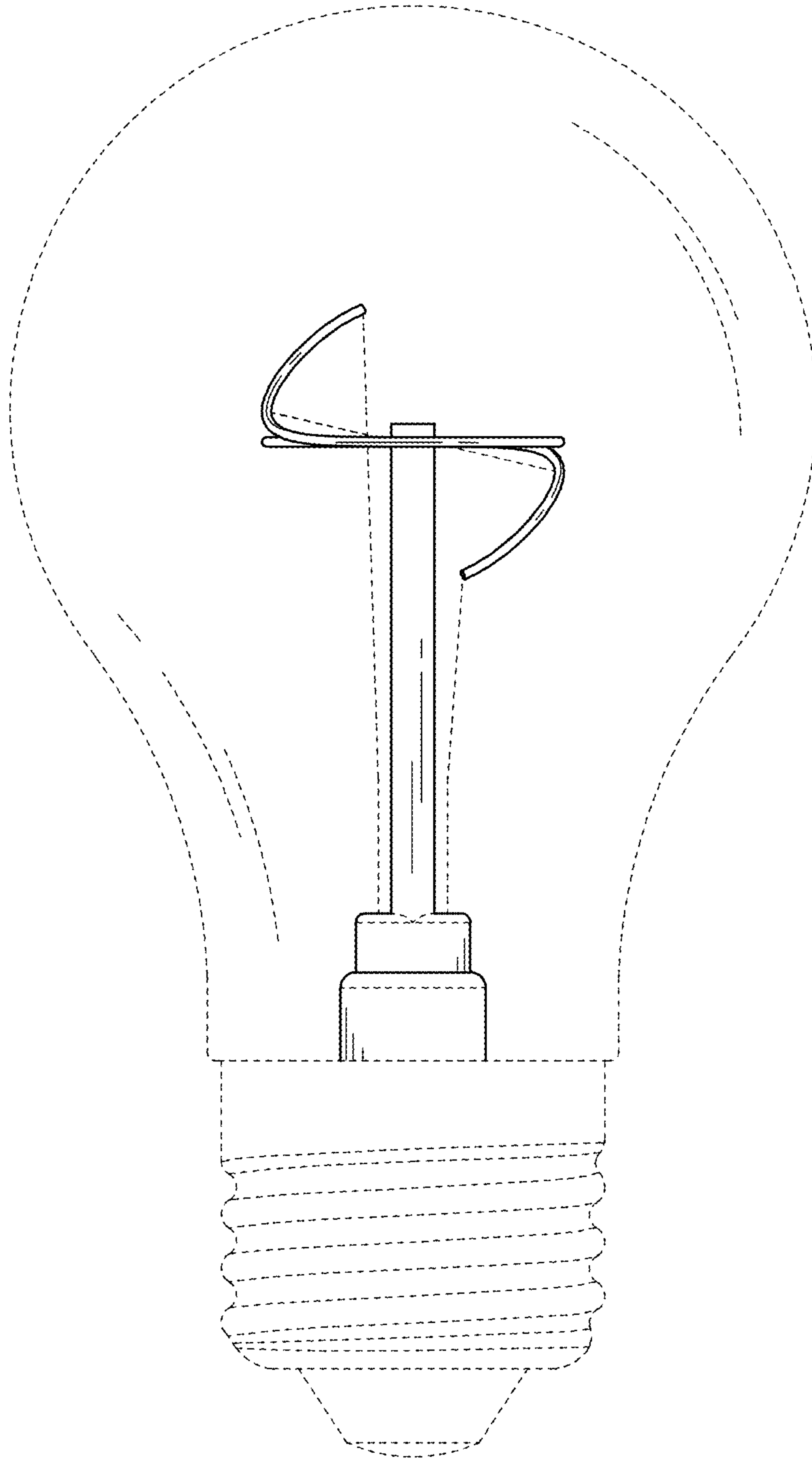


FIG.39

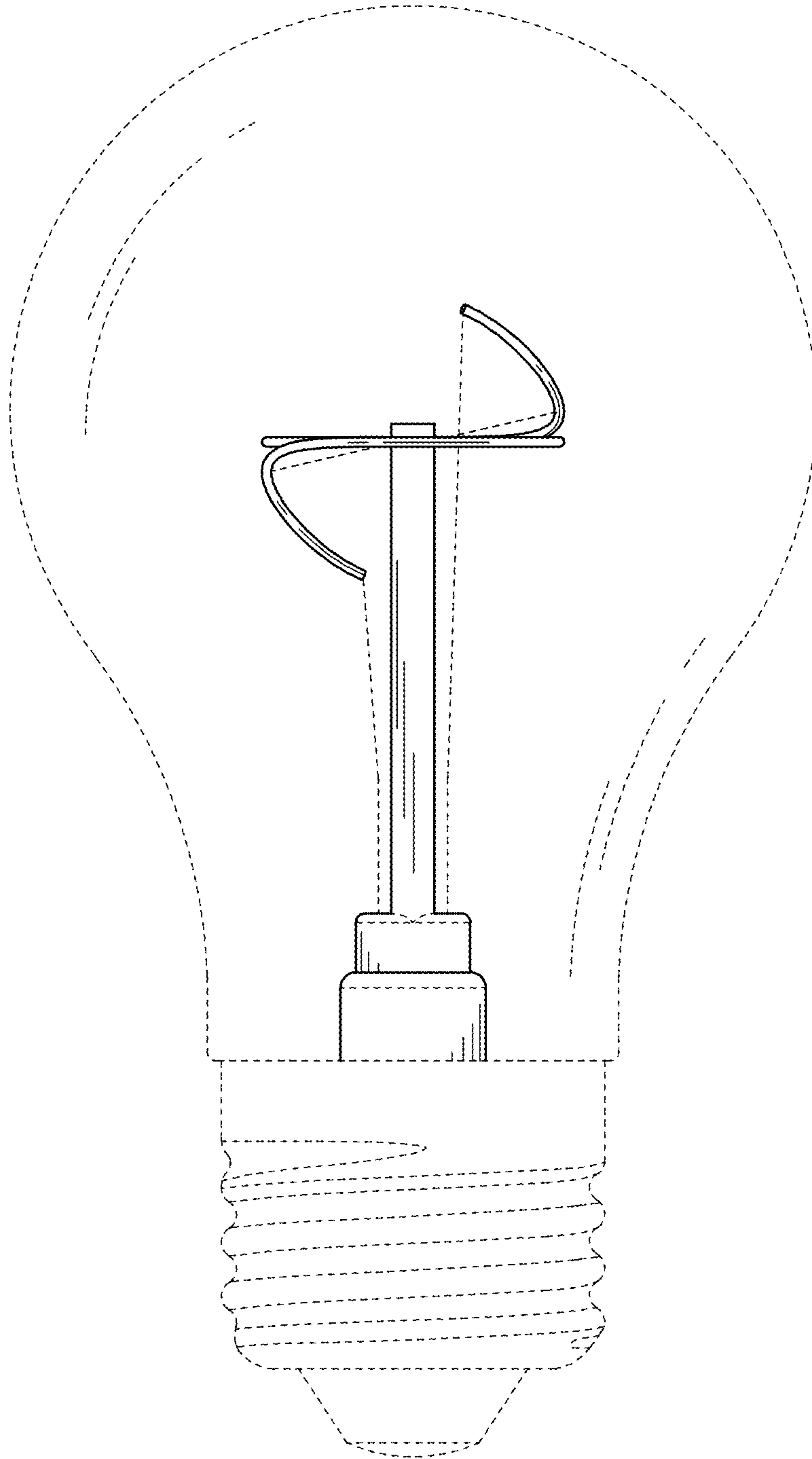


FIG. 40

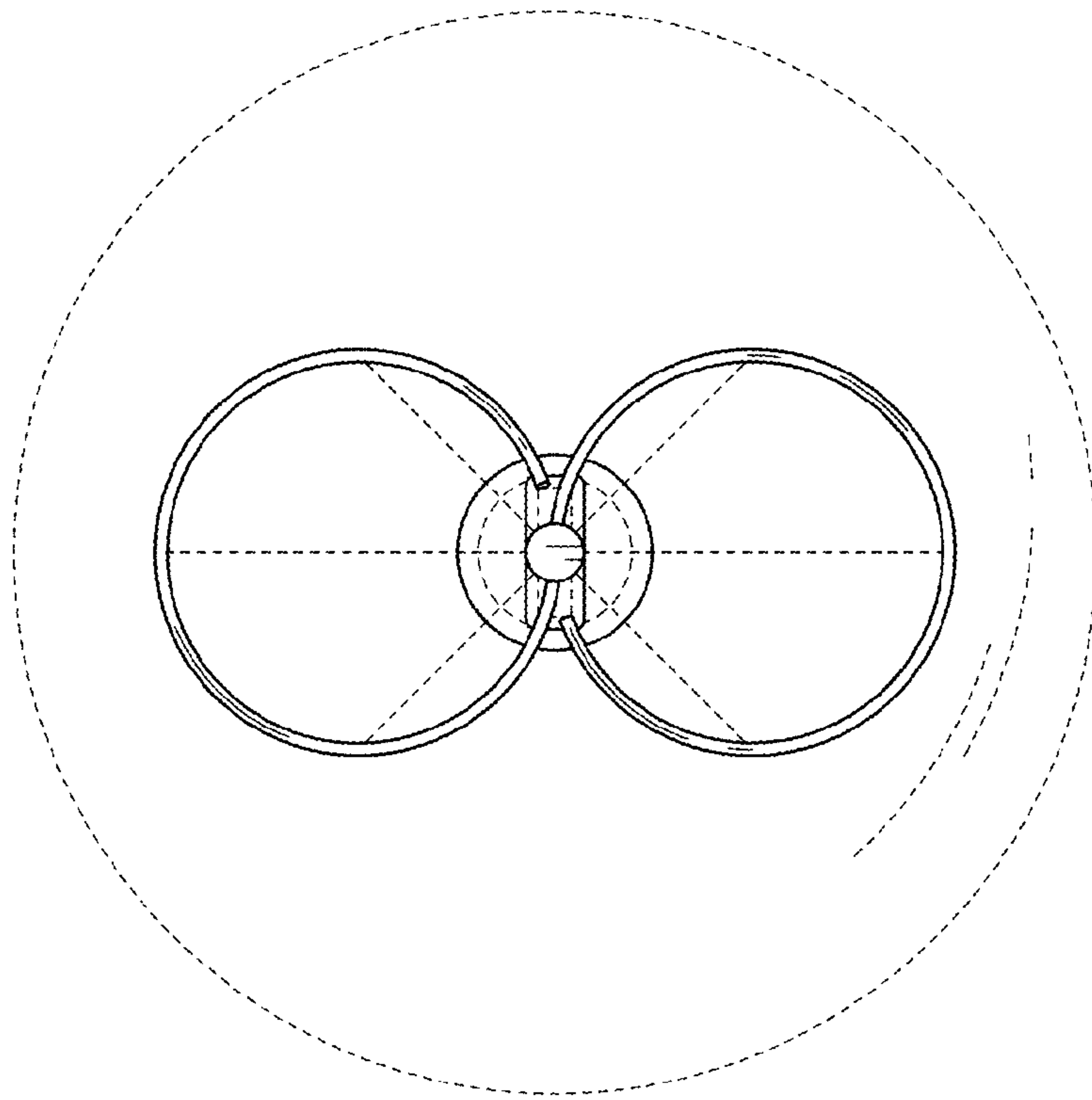


FIG. 41

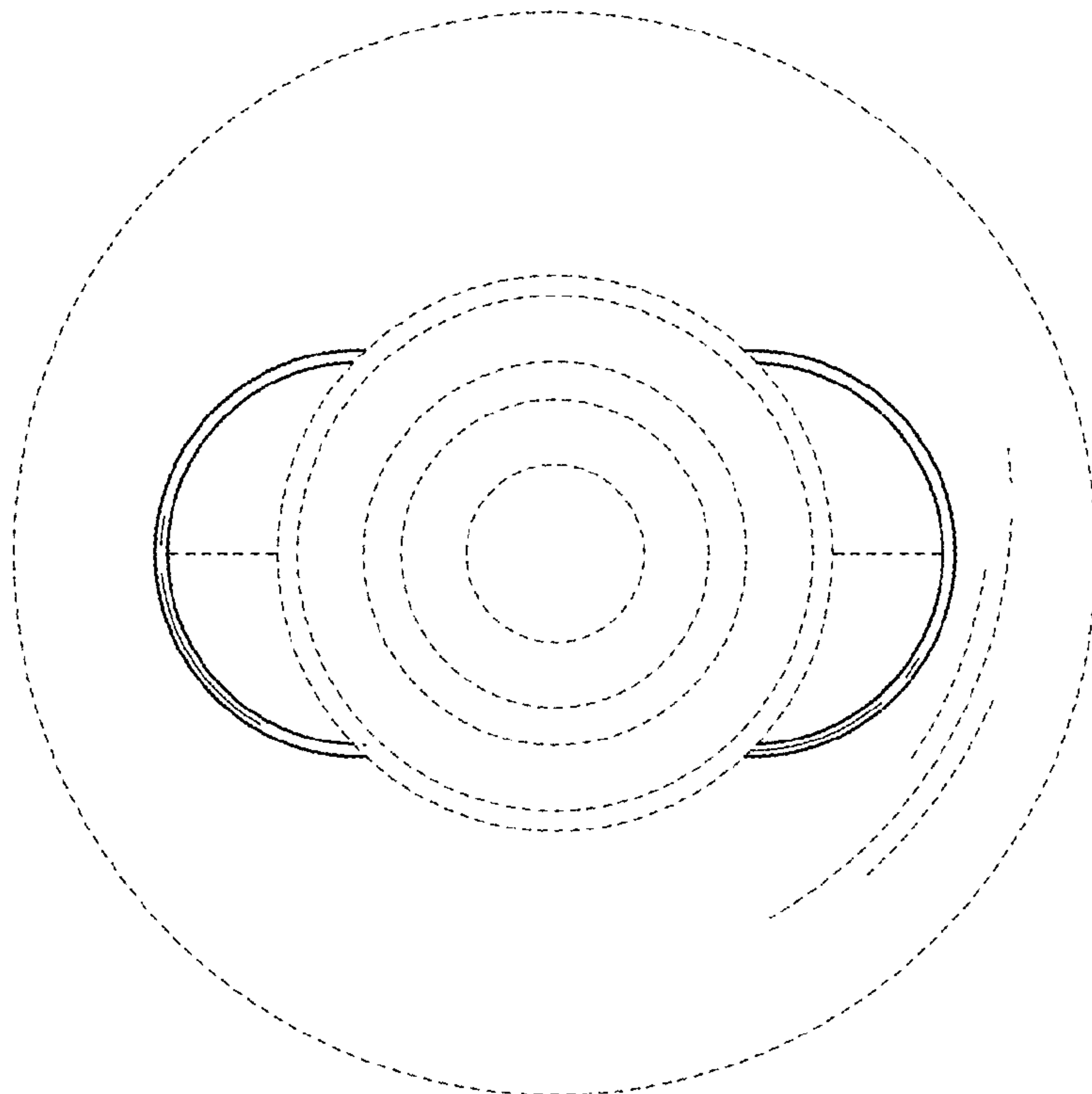


FIG. 42

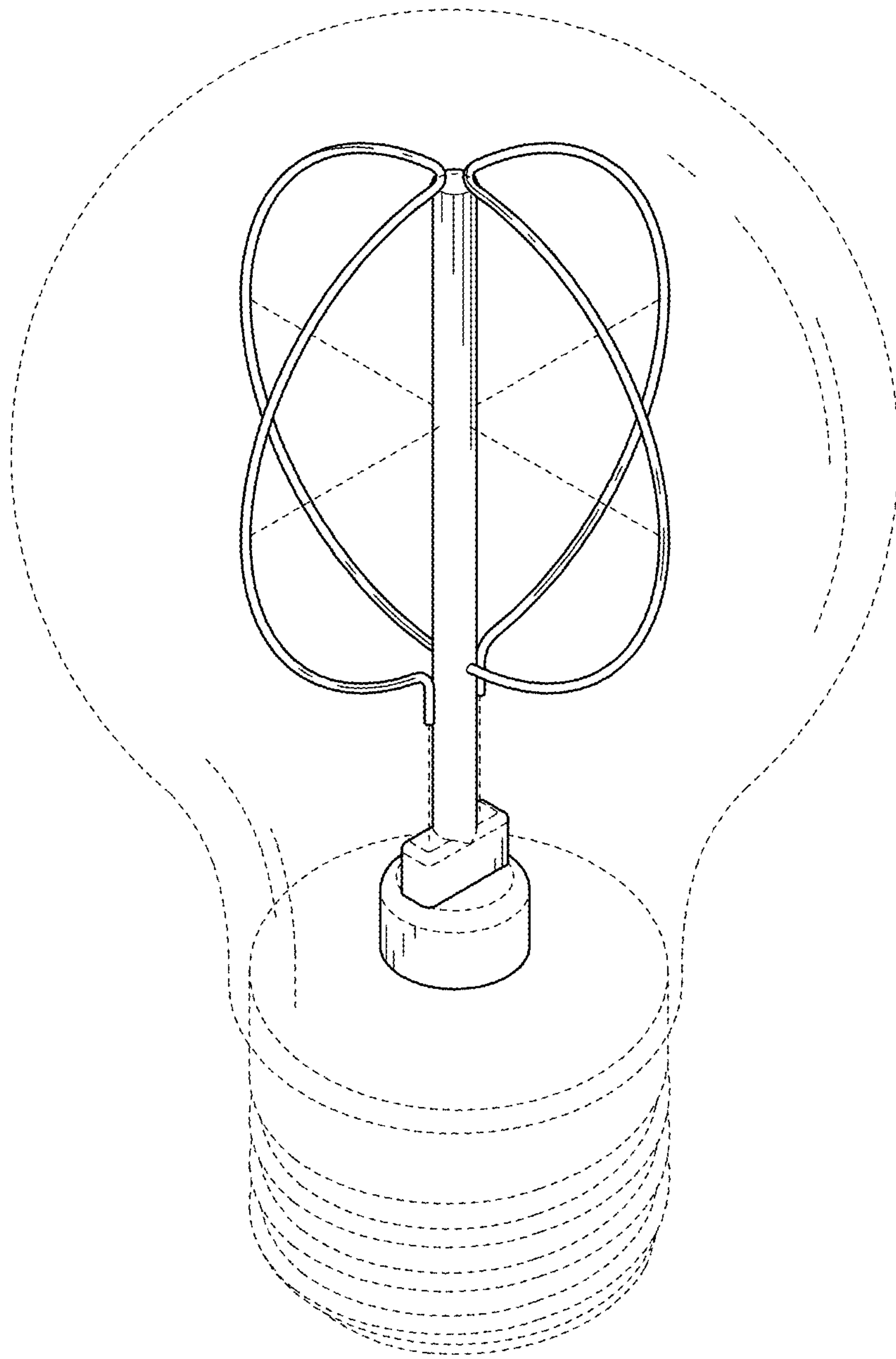


FIG. 43



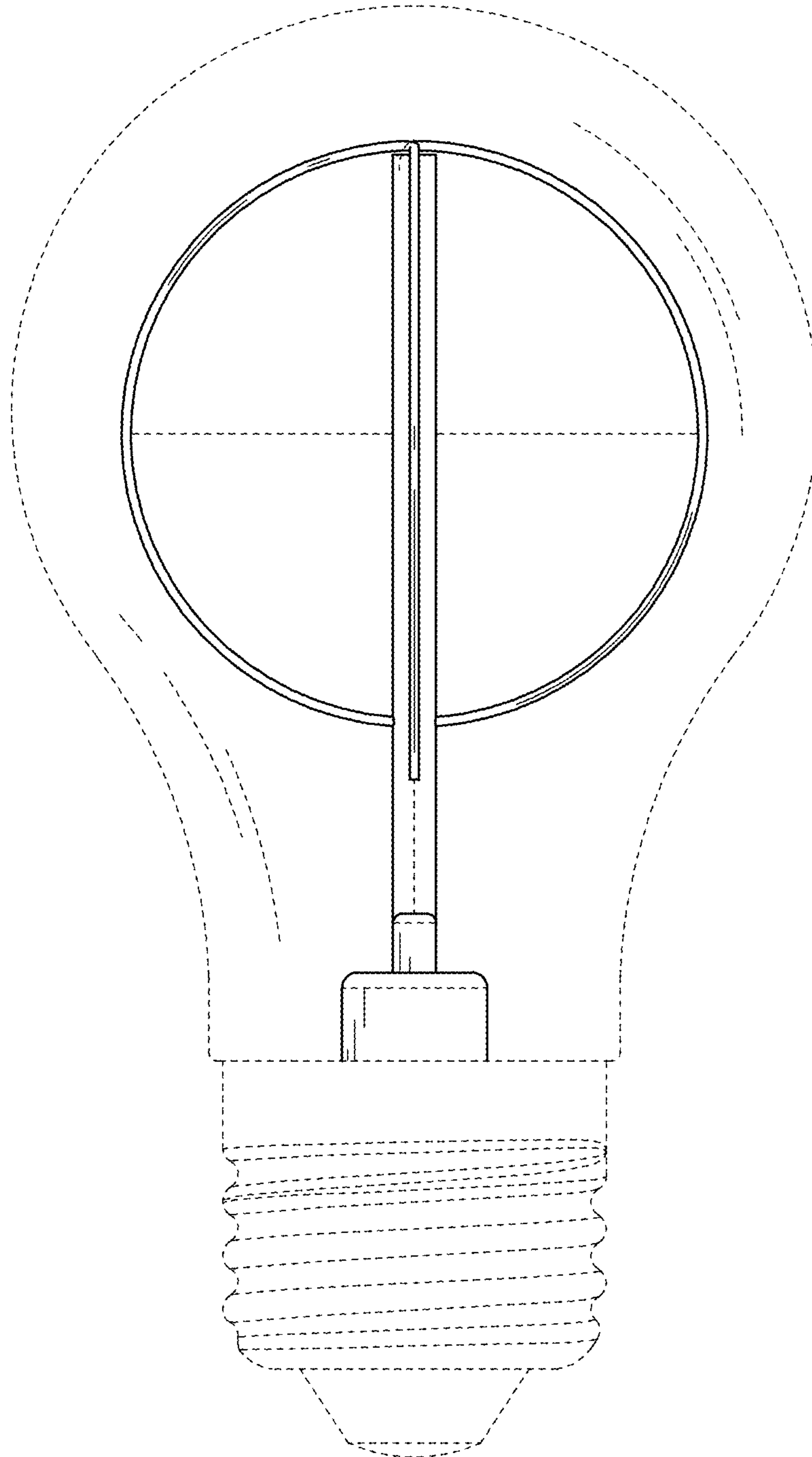


FIG.44

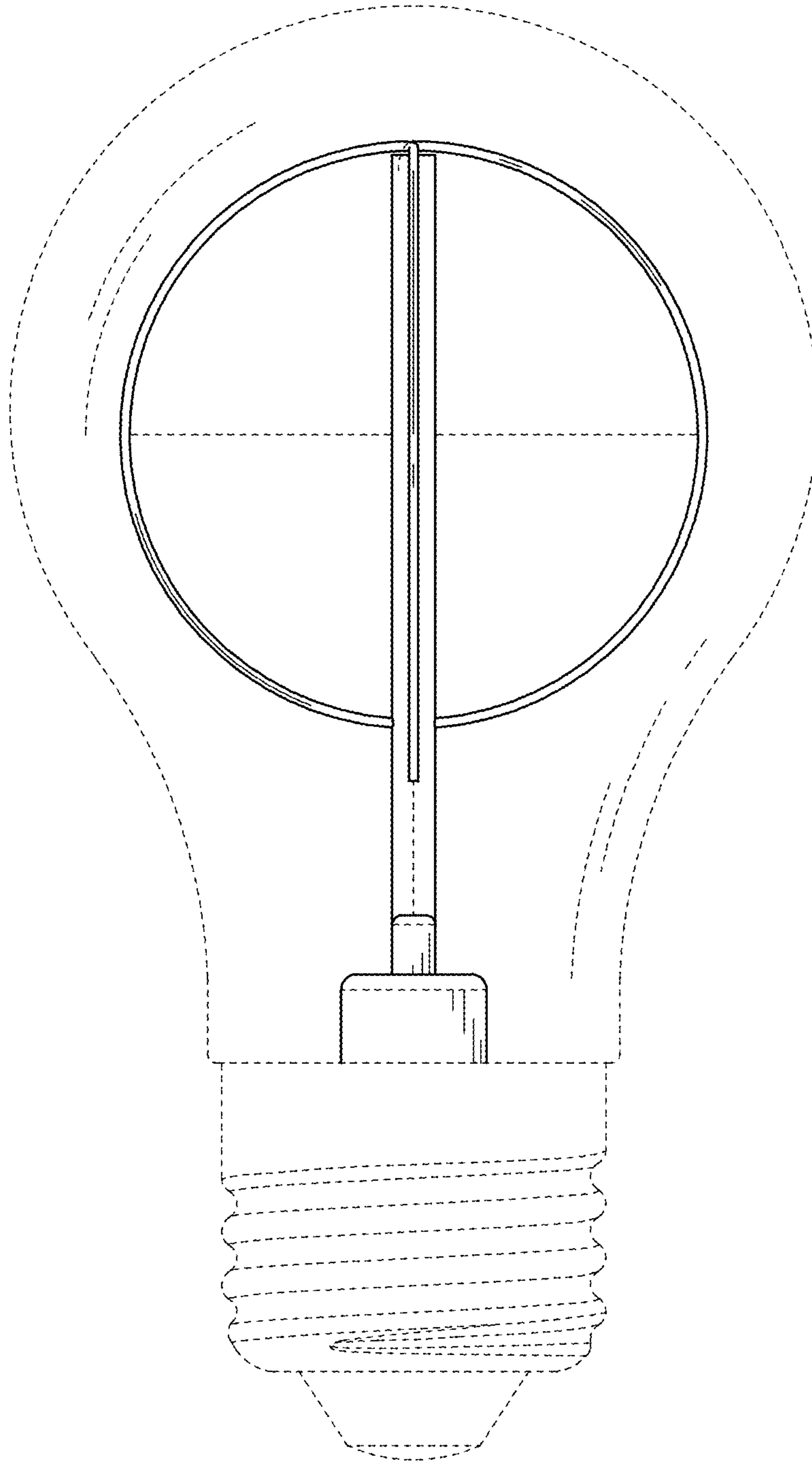


FIG.45

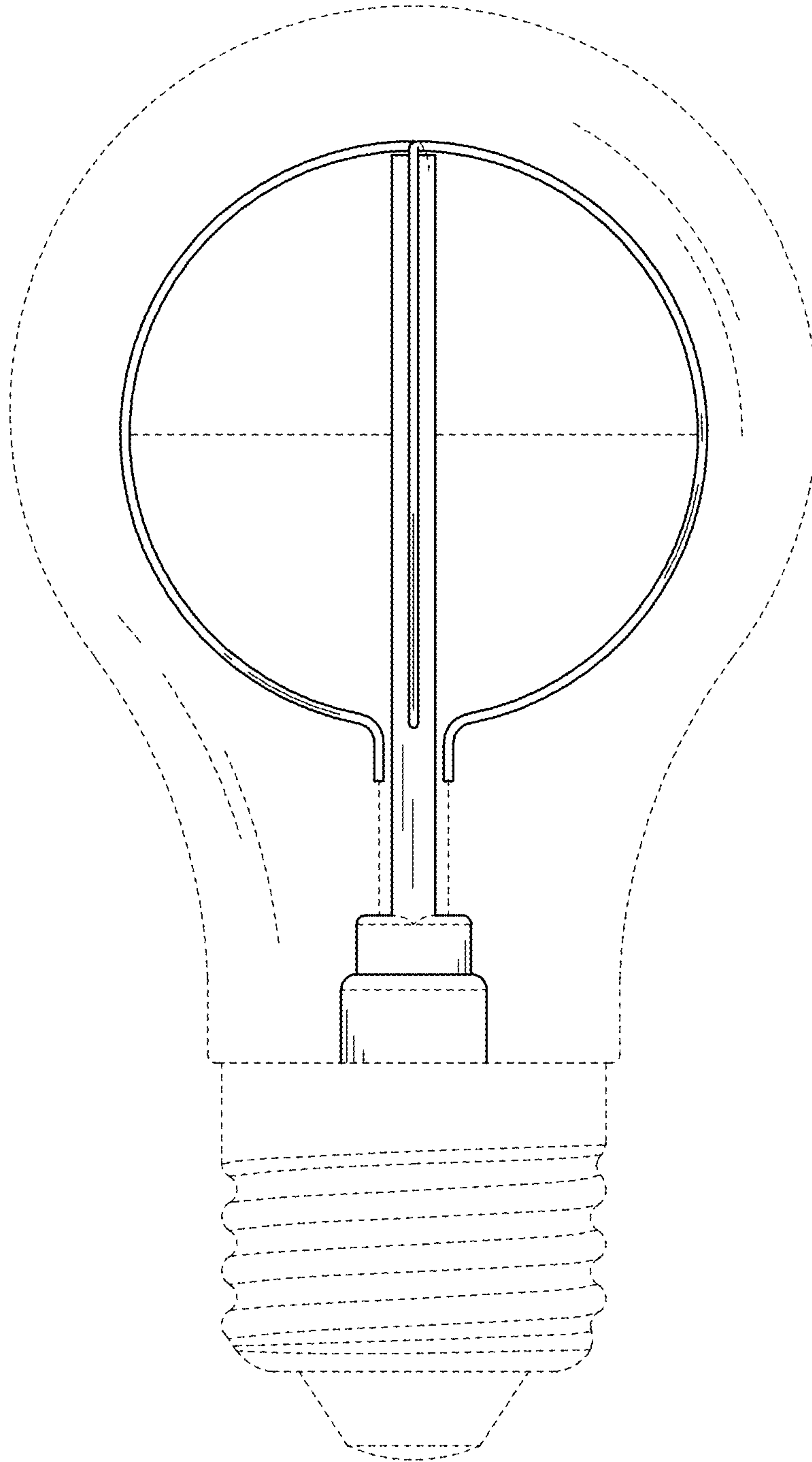


FIG. 46

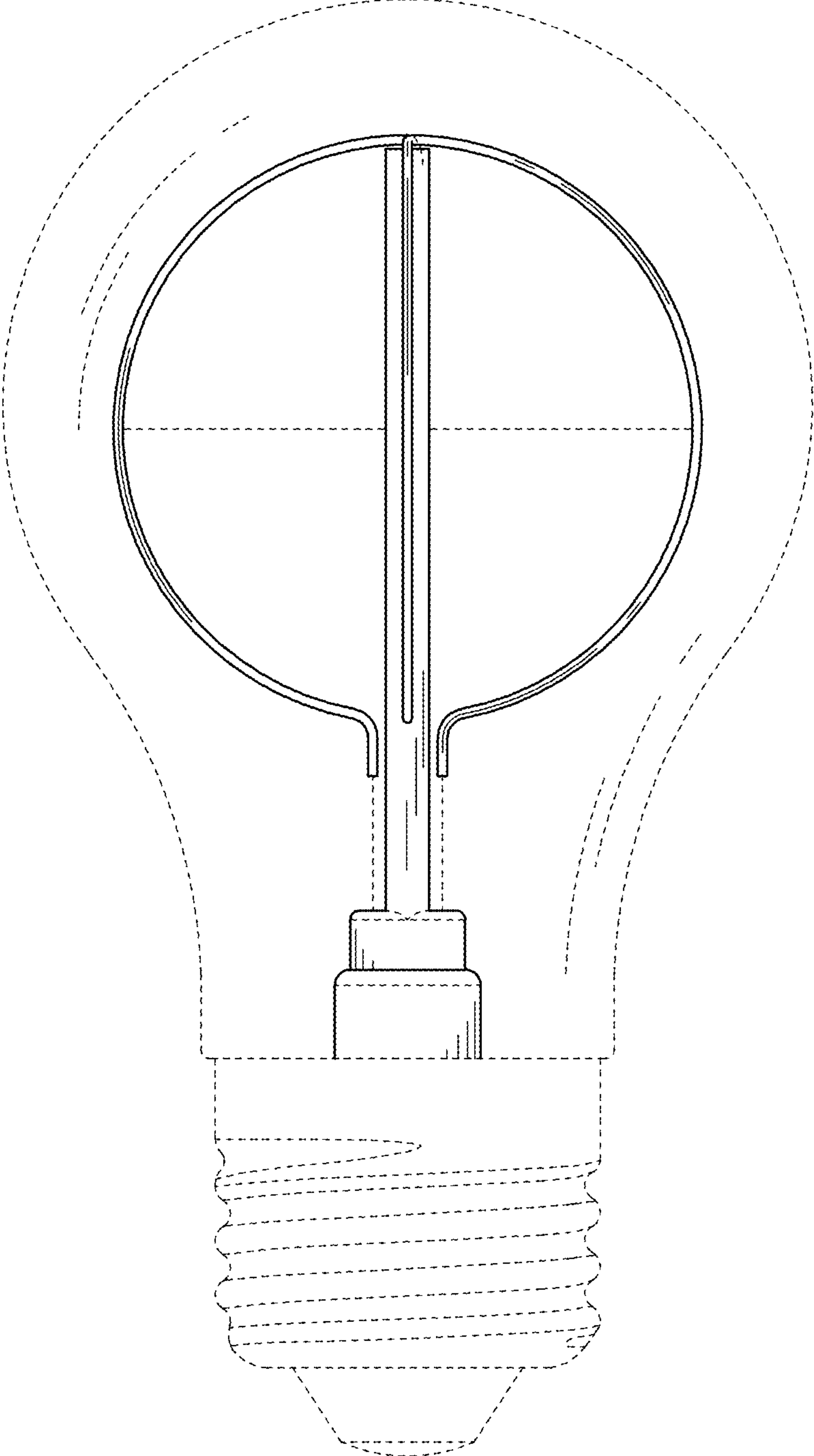


FIG.47

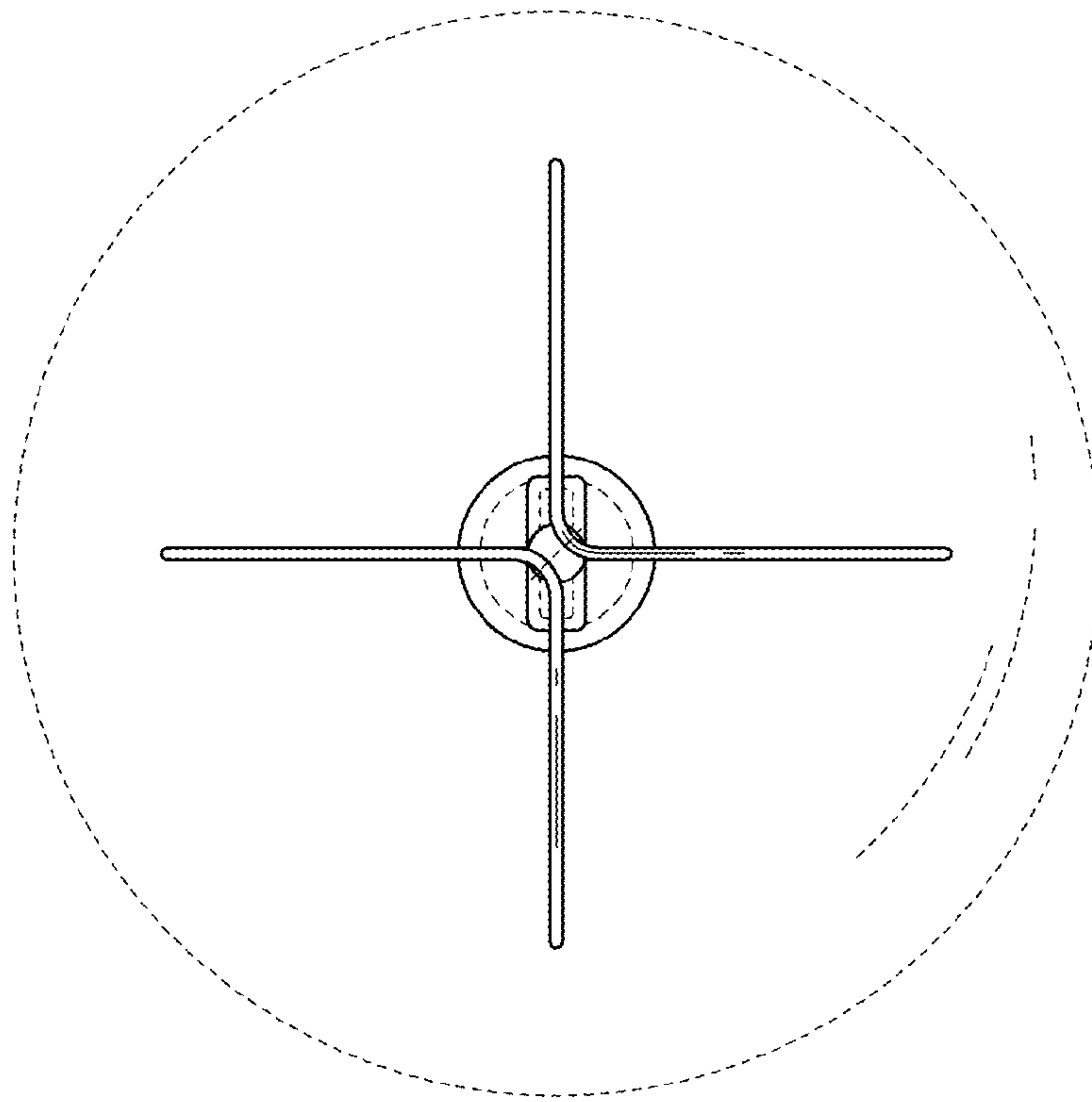


FIG.48

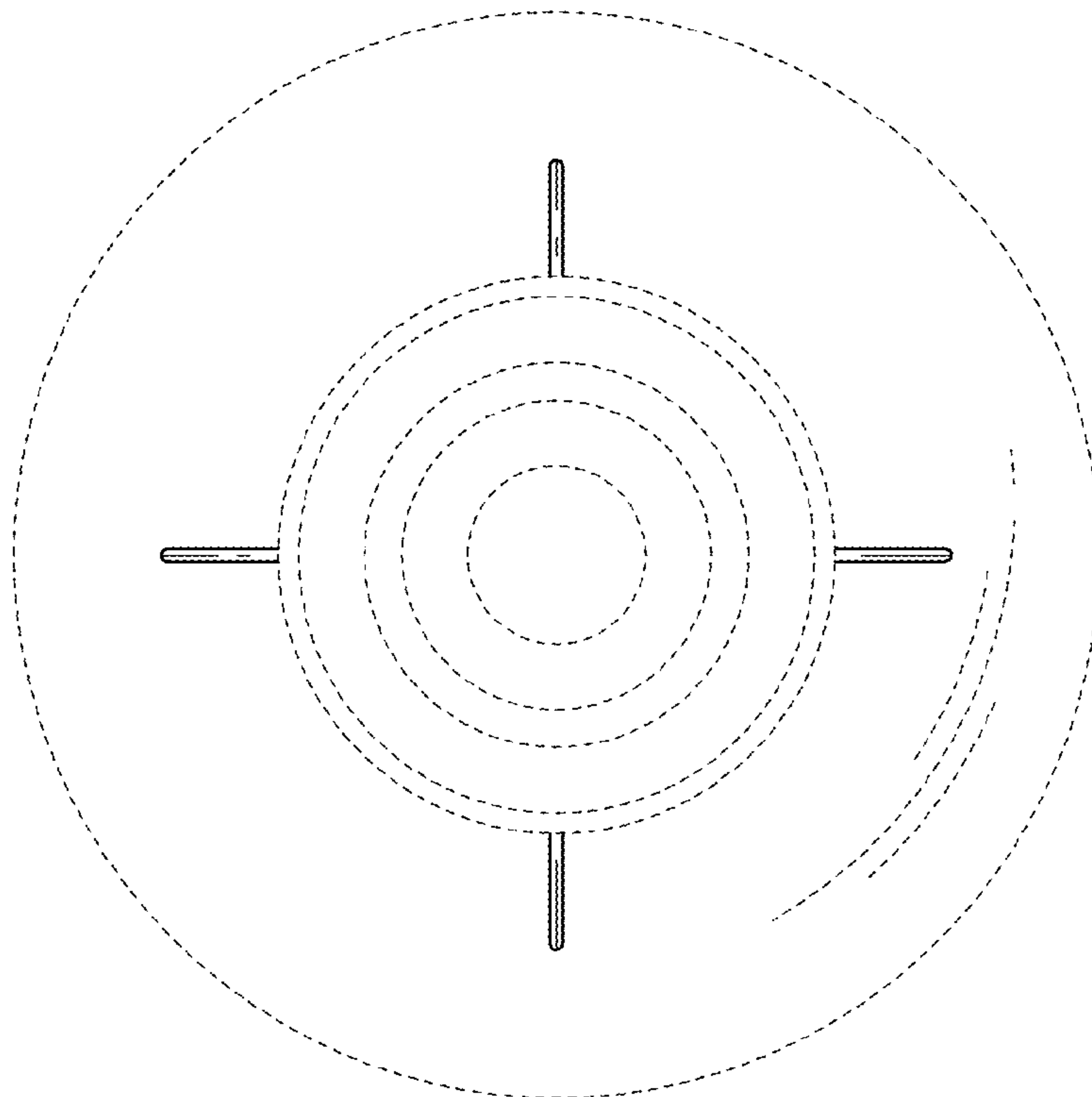


FIG.49

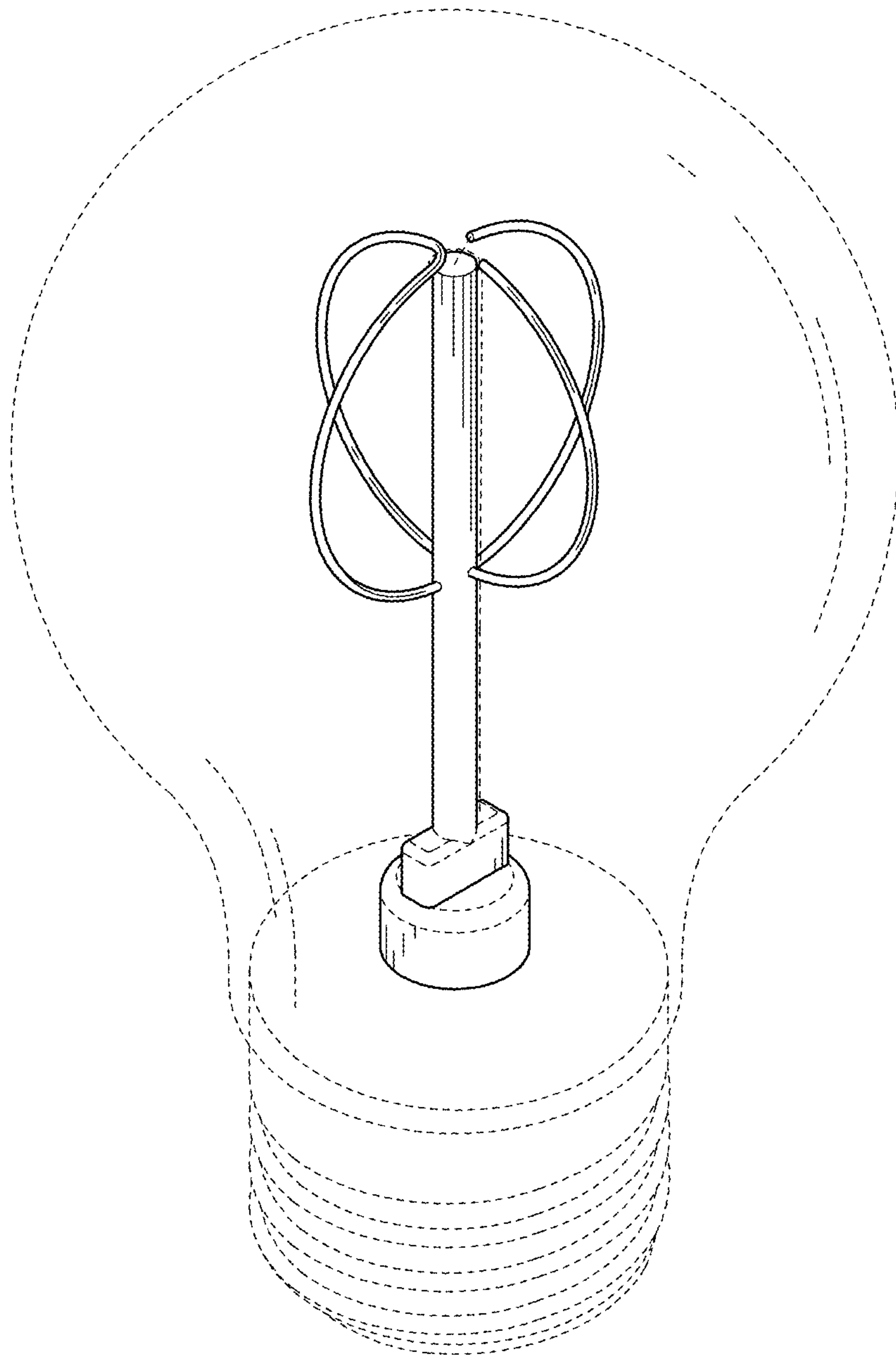


FIG.50

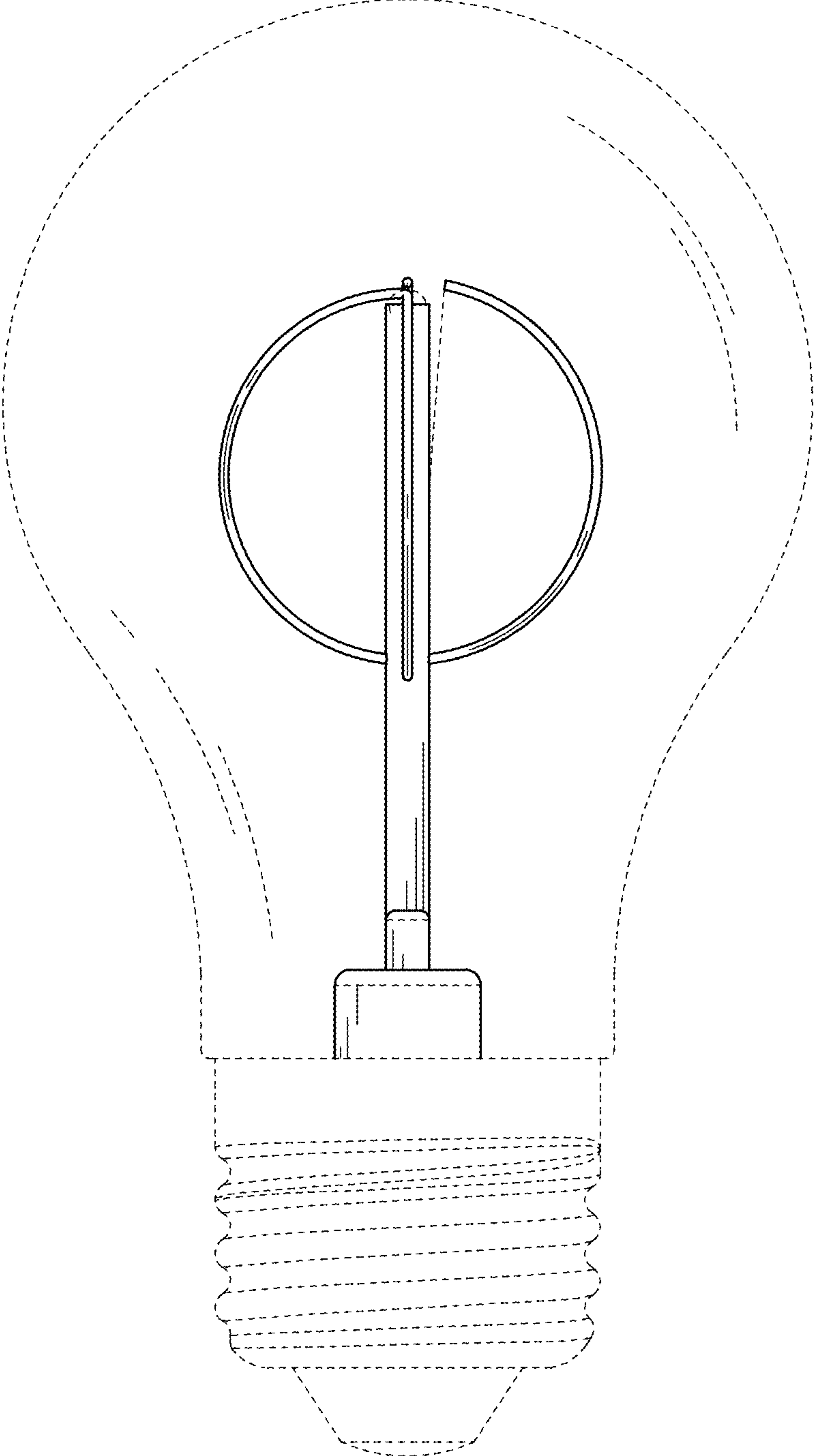


FIG. 51



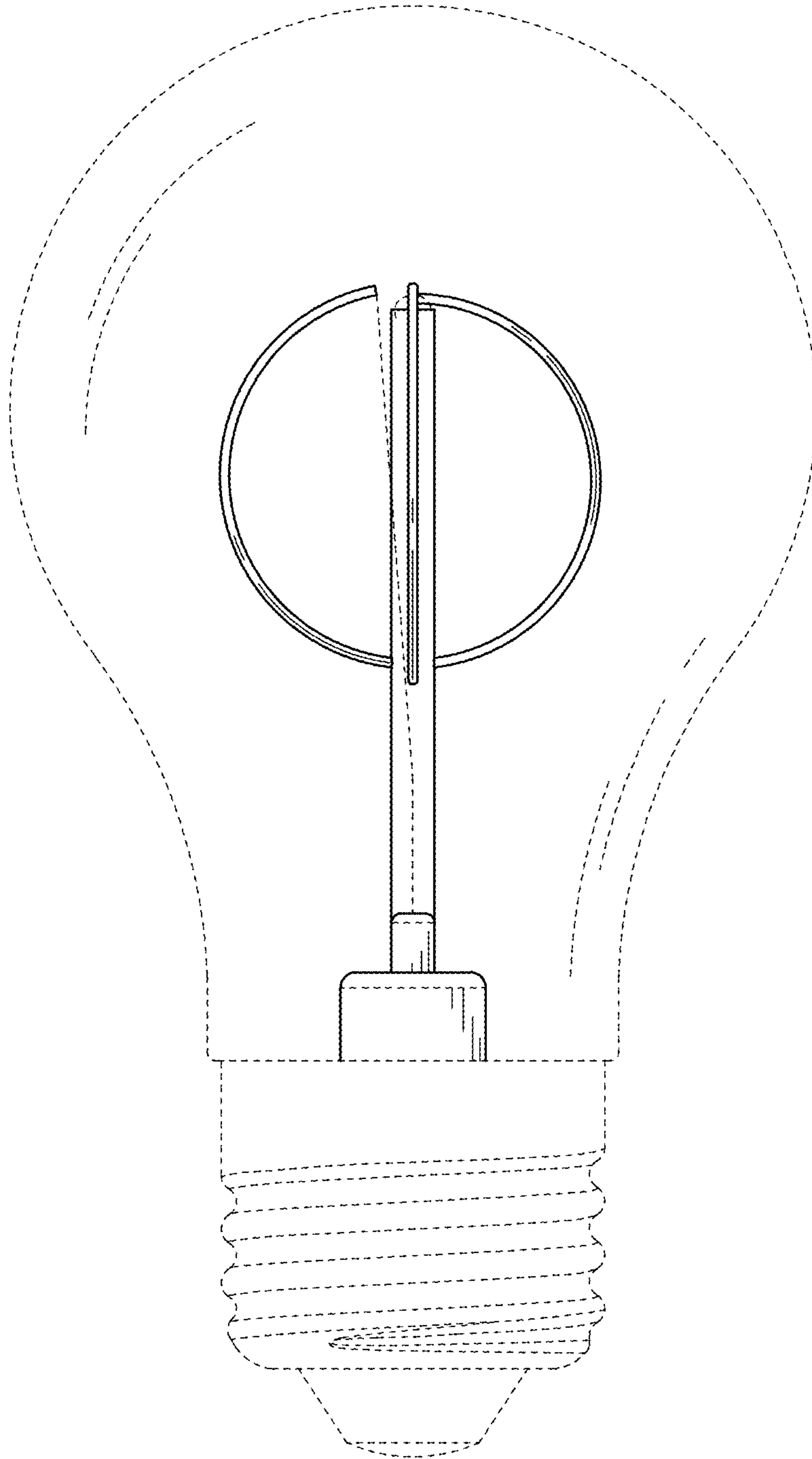


FIG. 52

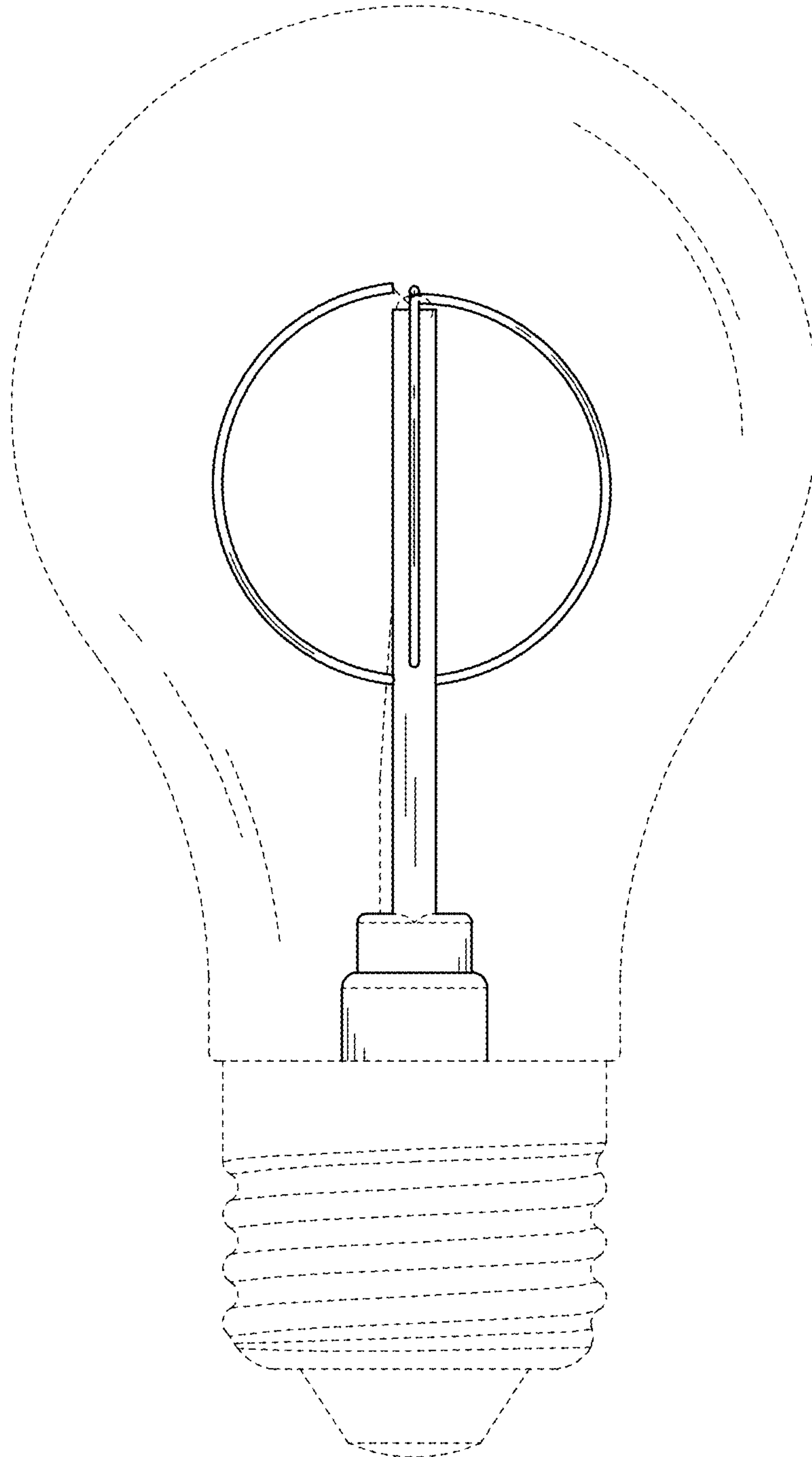


FIG. 53

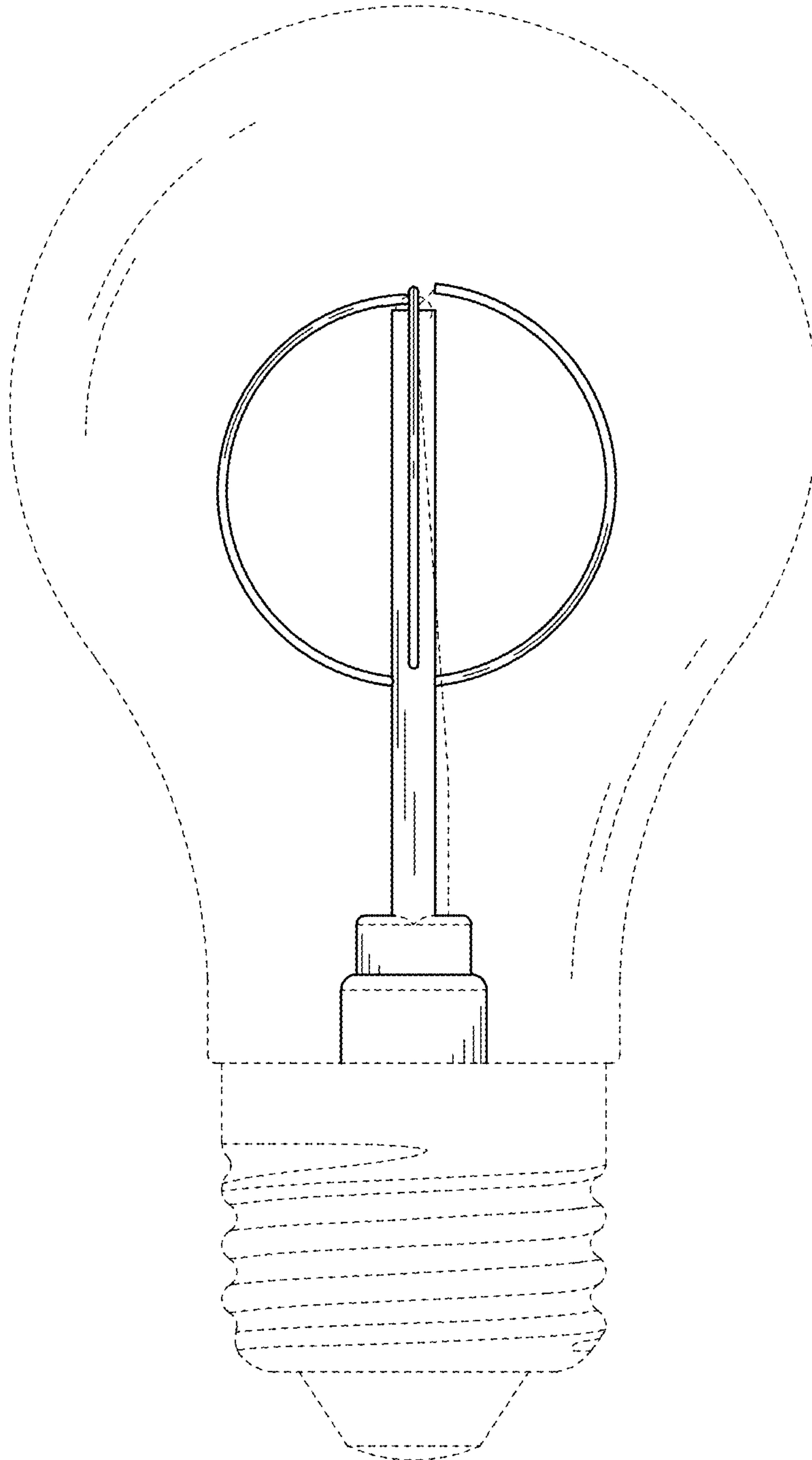


FIG.54

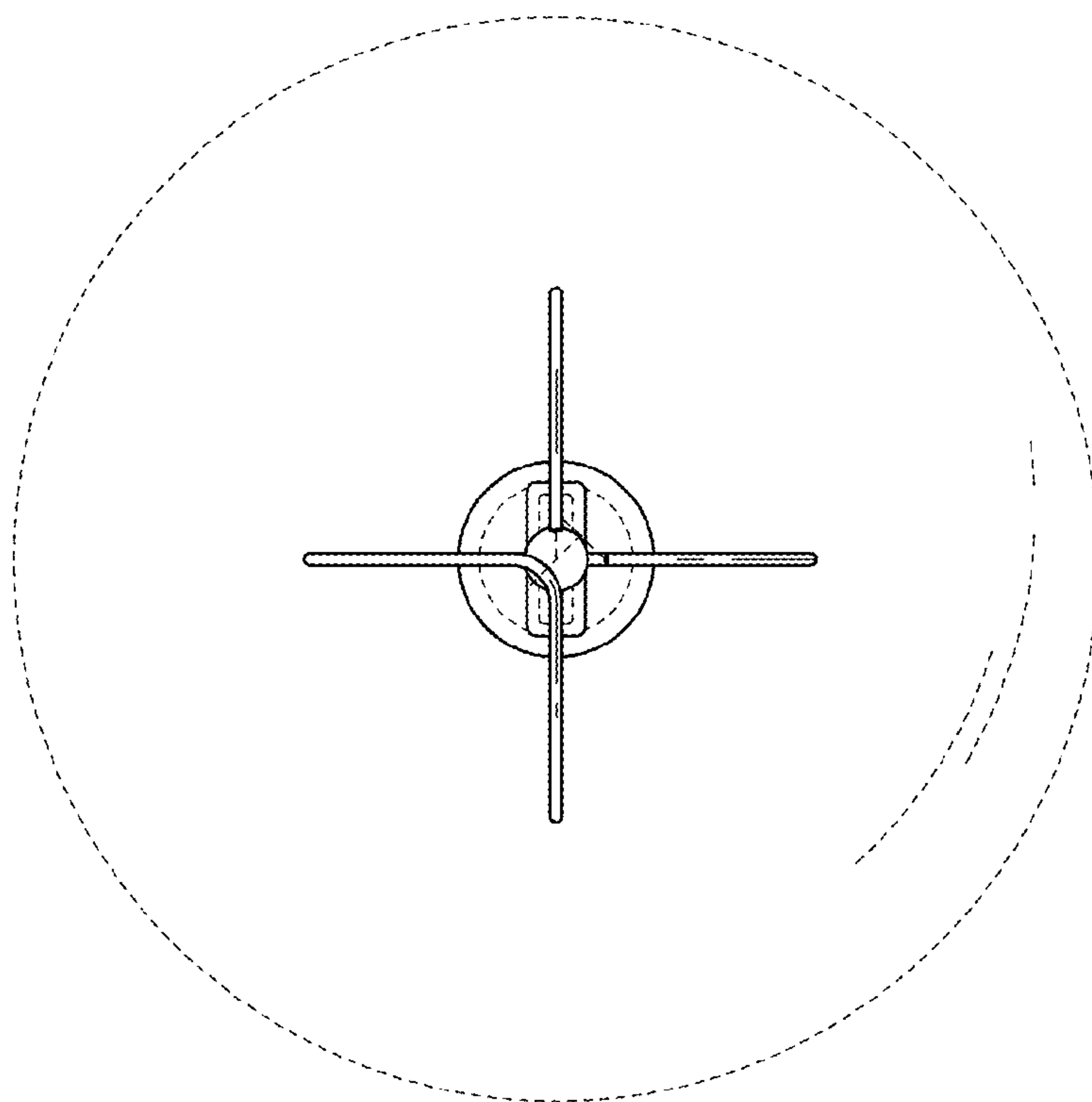


FIG. 55

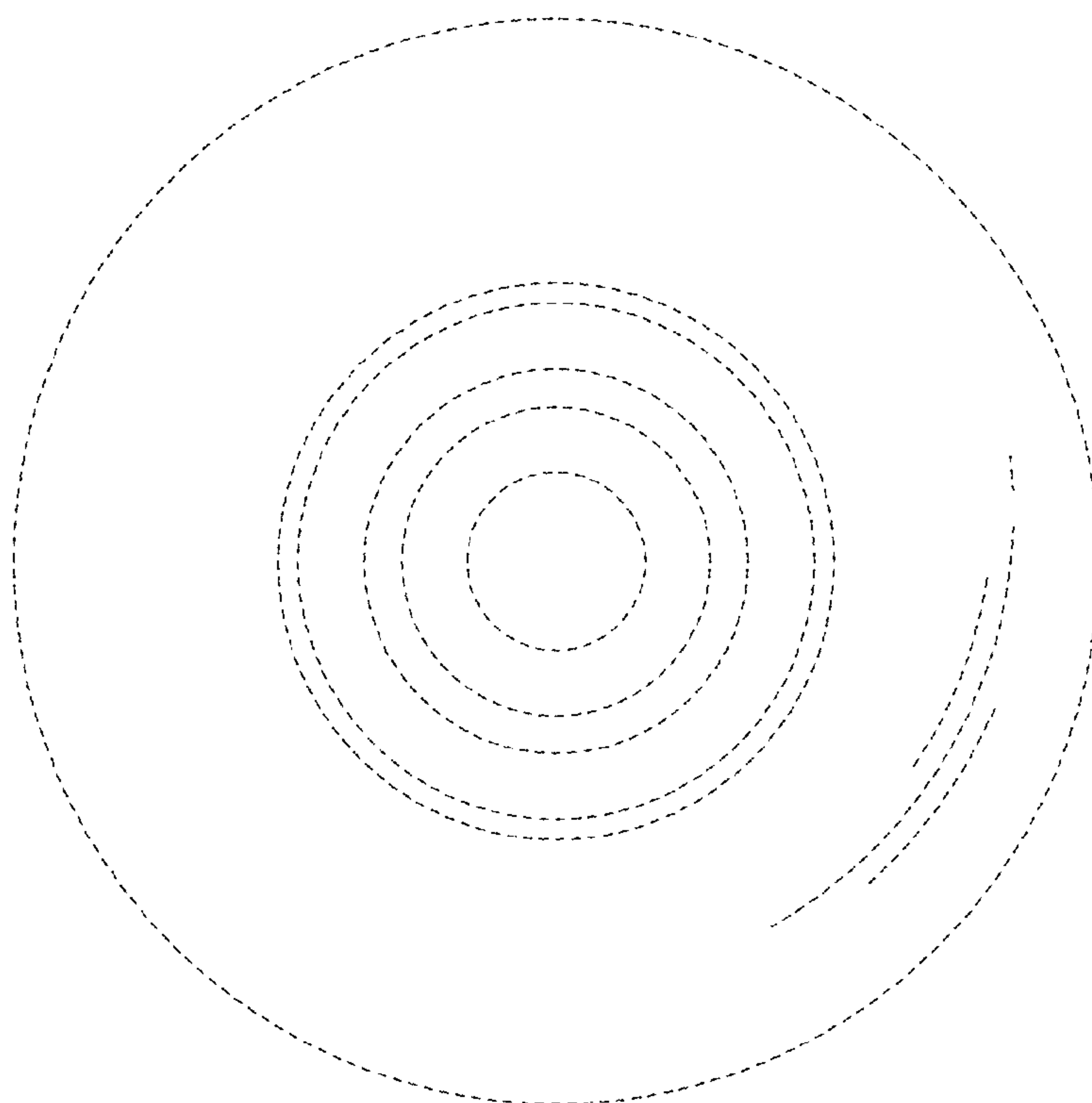


FIG. 56

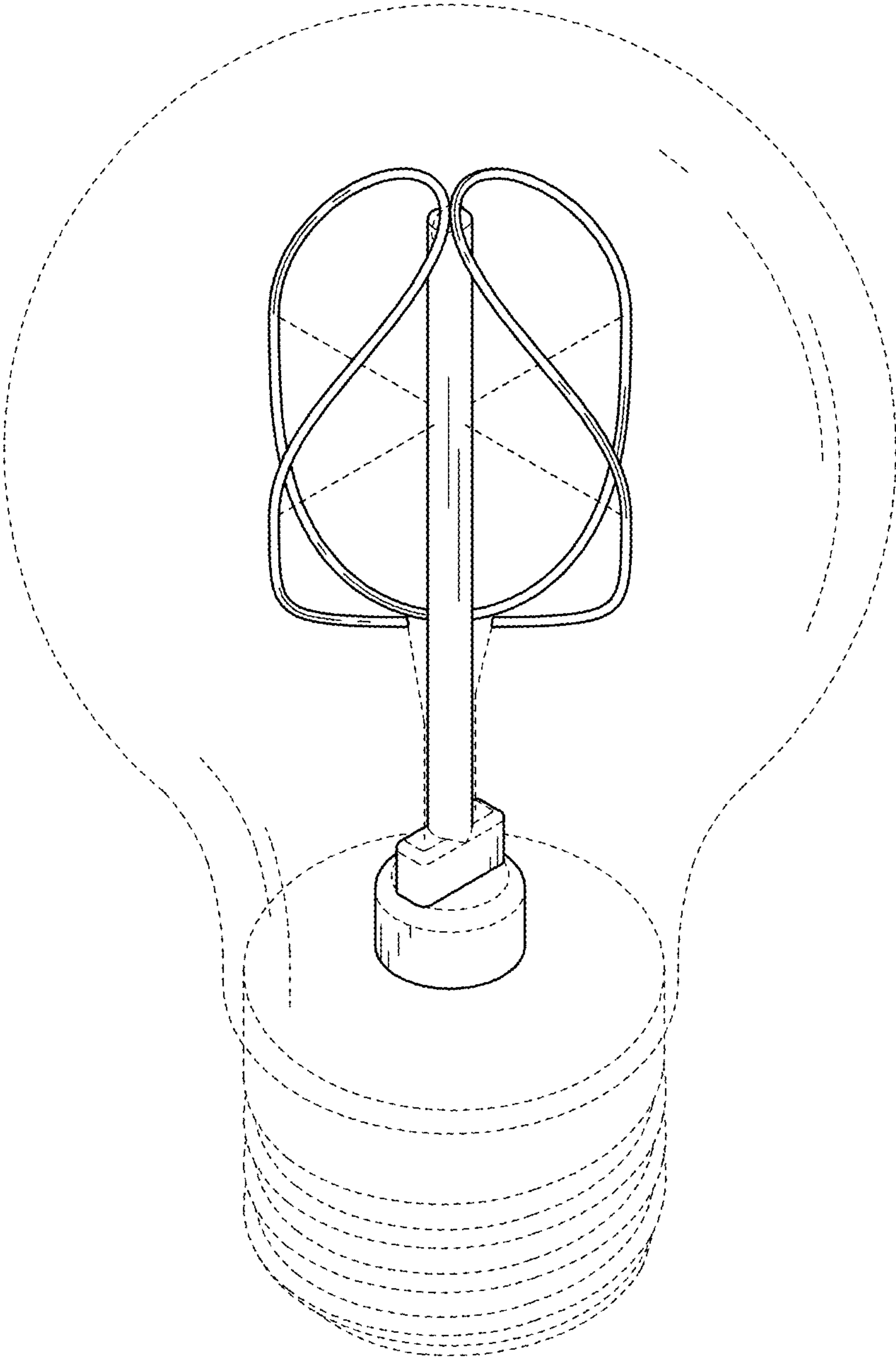


FIG.57

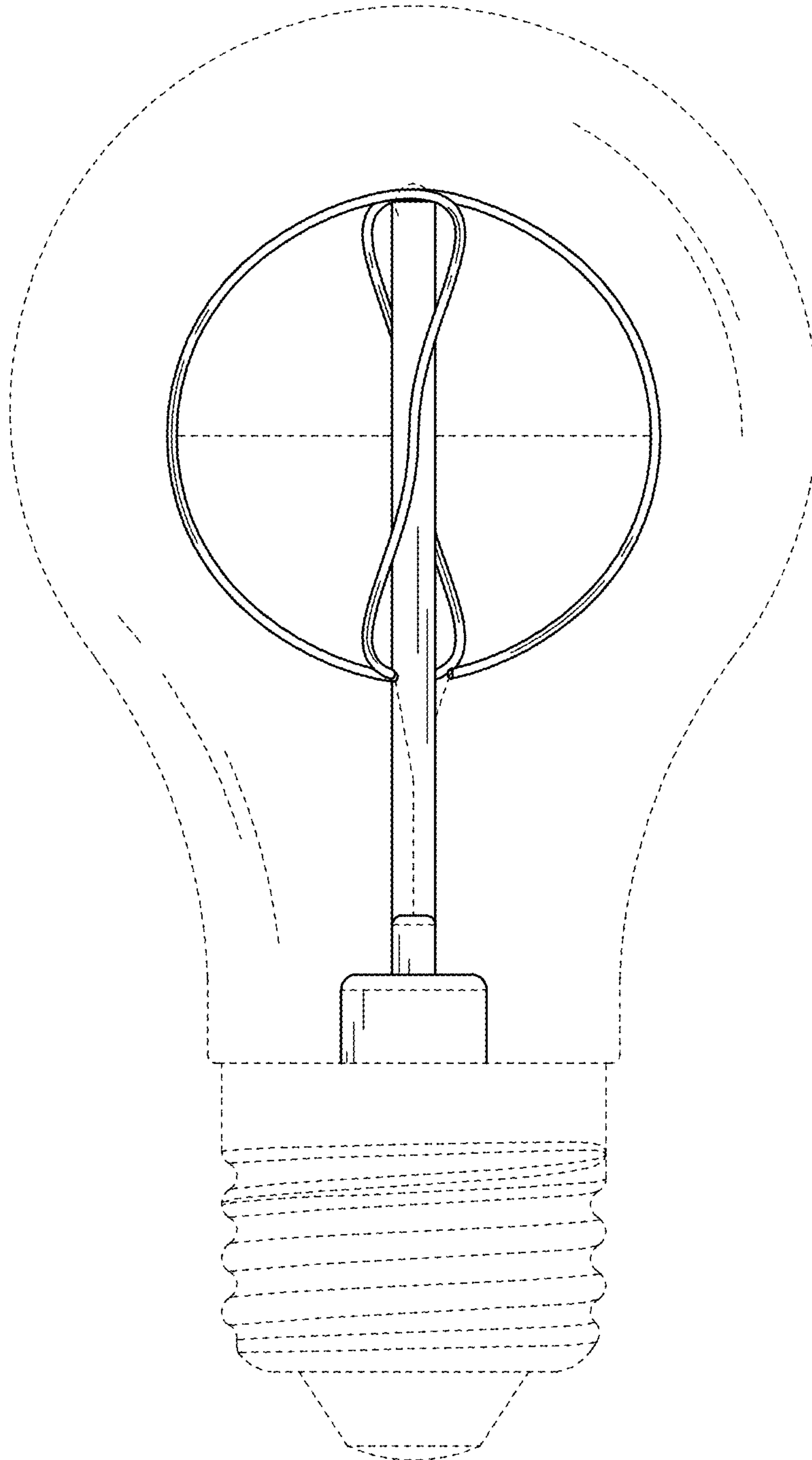


FIG. 58

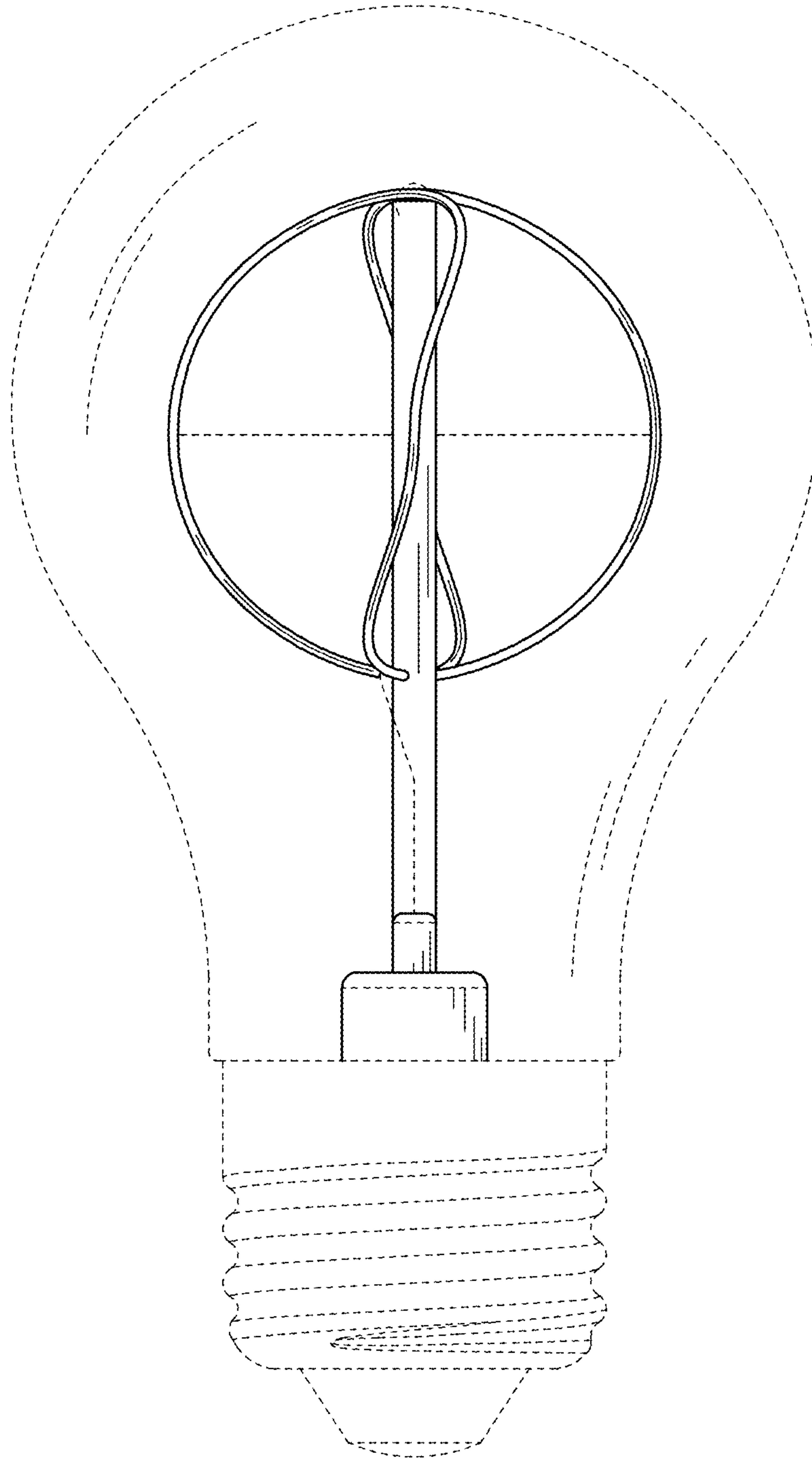


FIG. 59



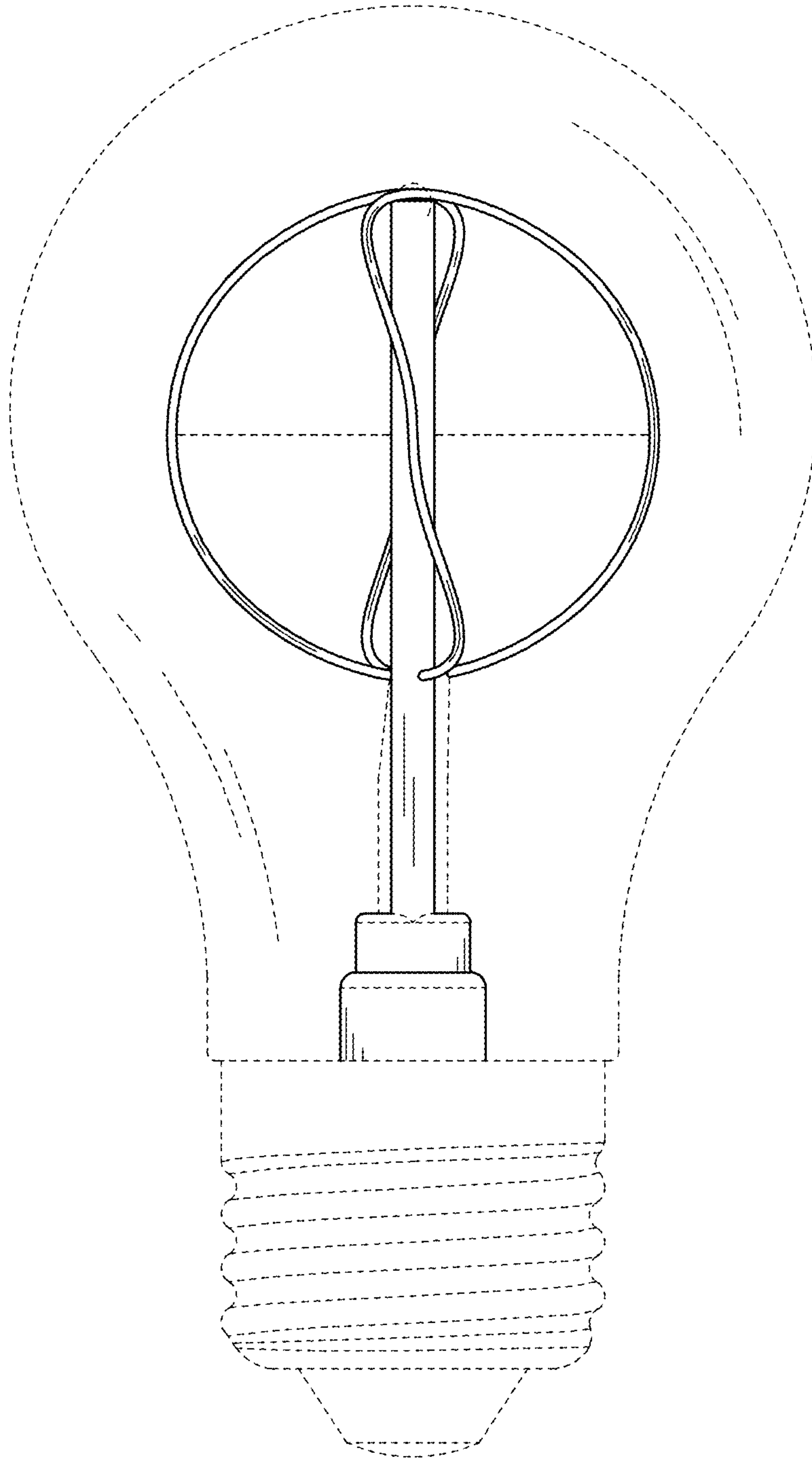


FIG. 60

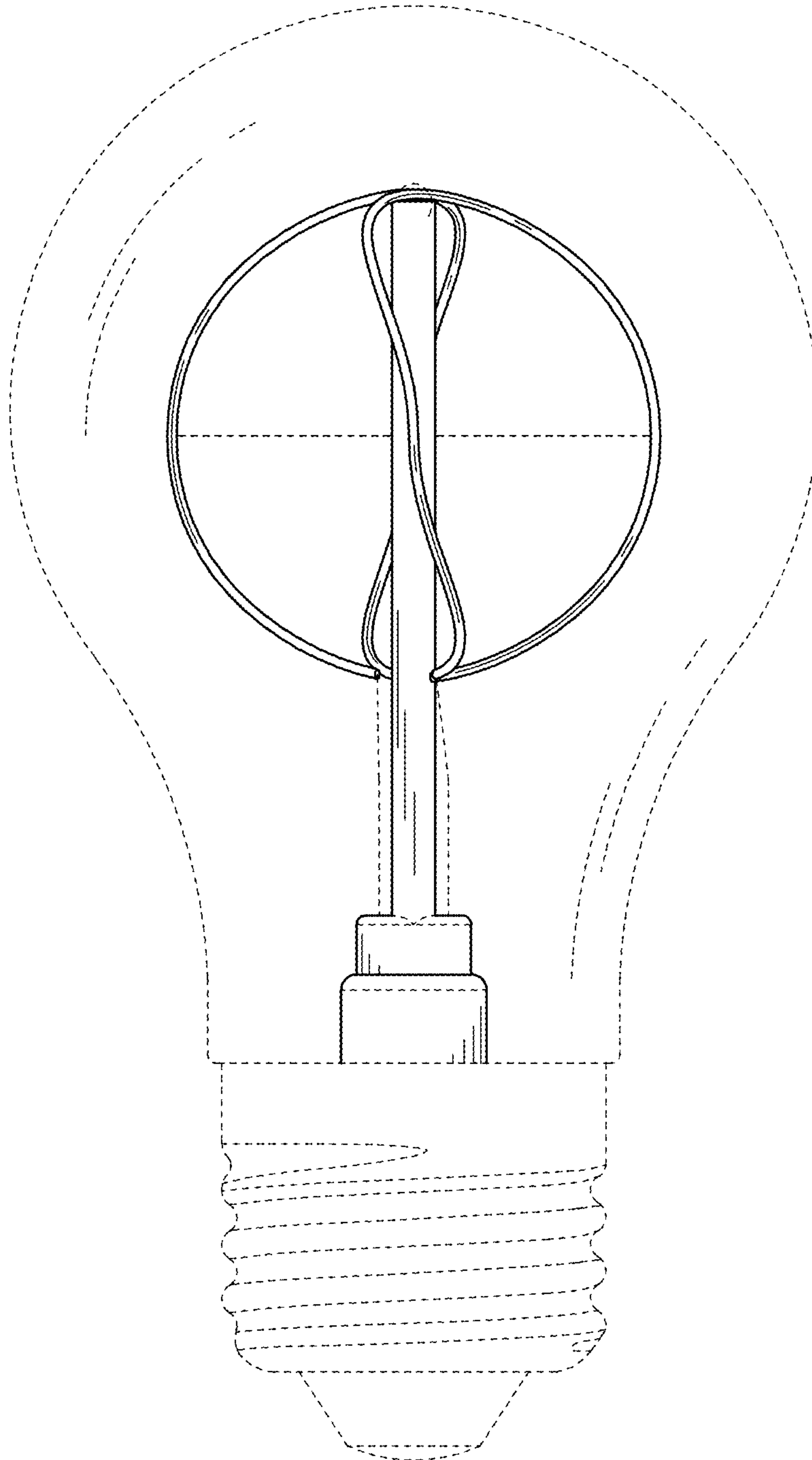


FIG. 61

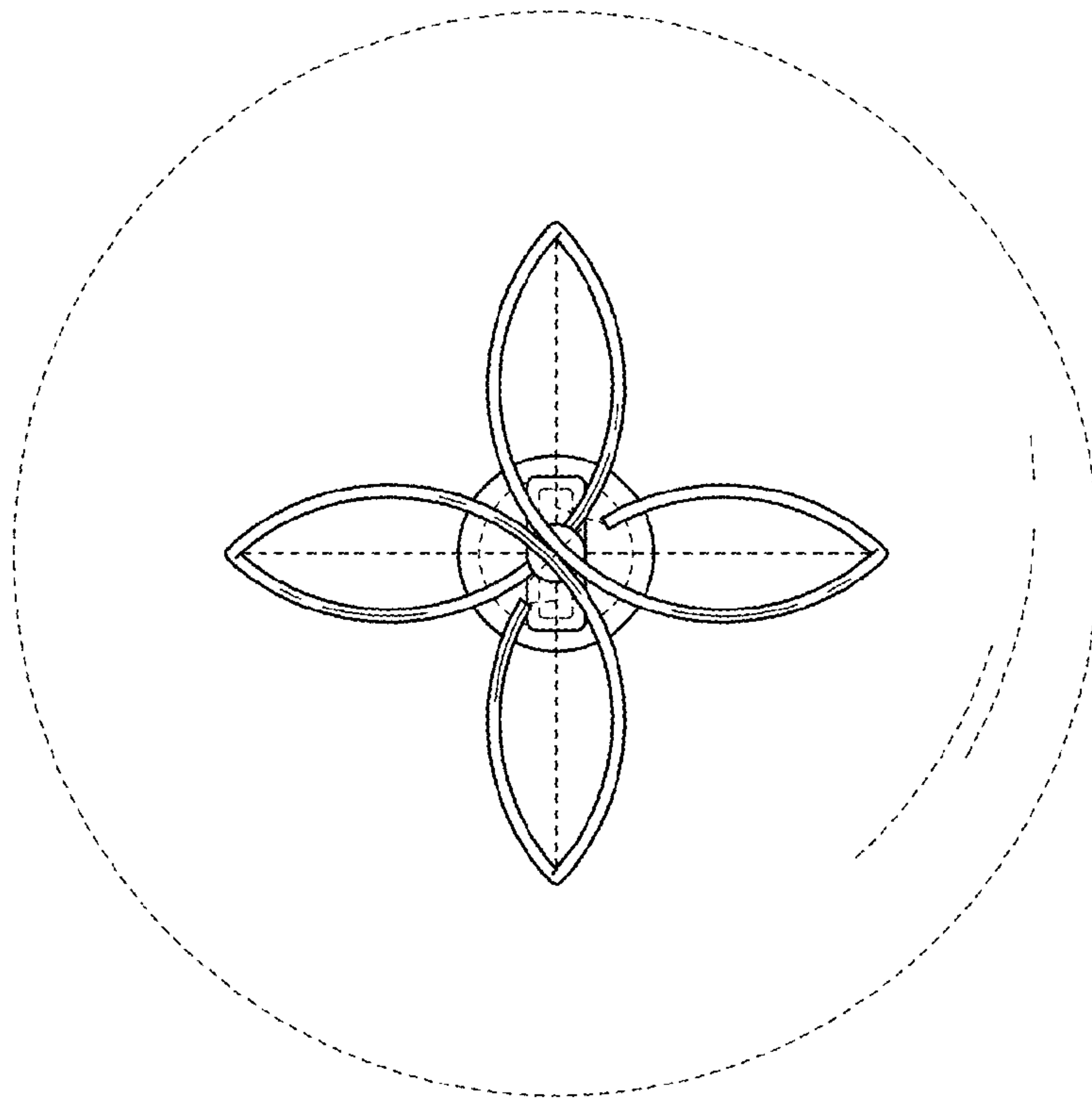


FIG. 62

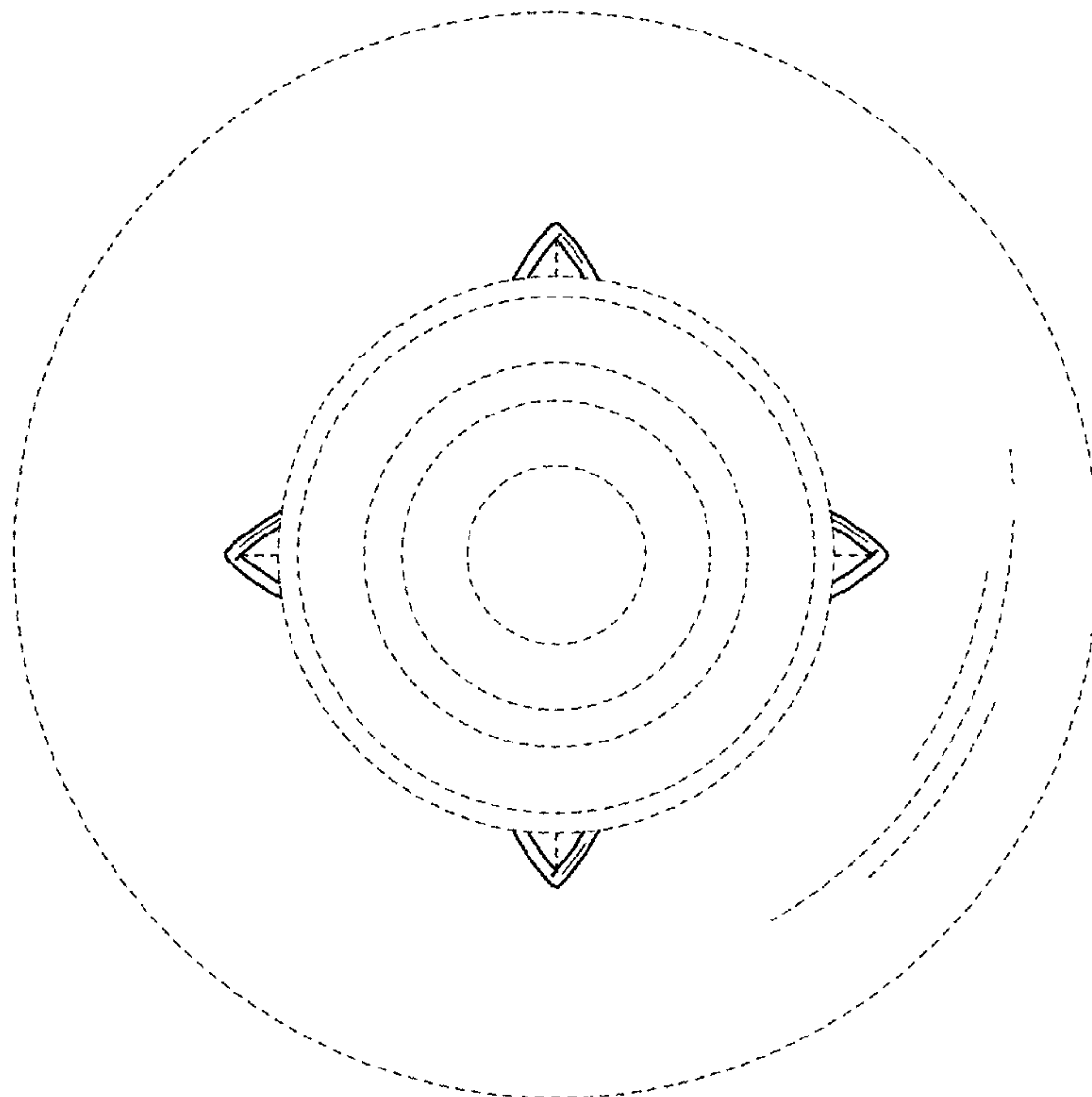


FIG. 63

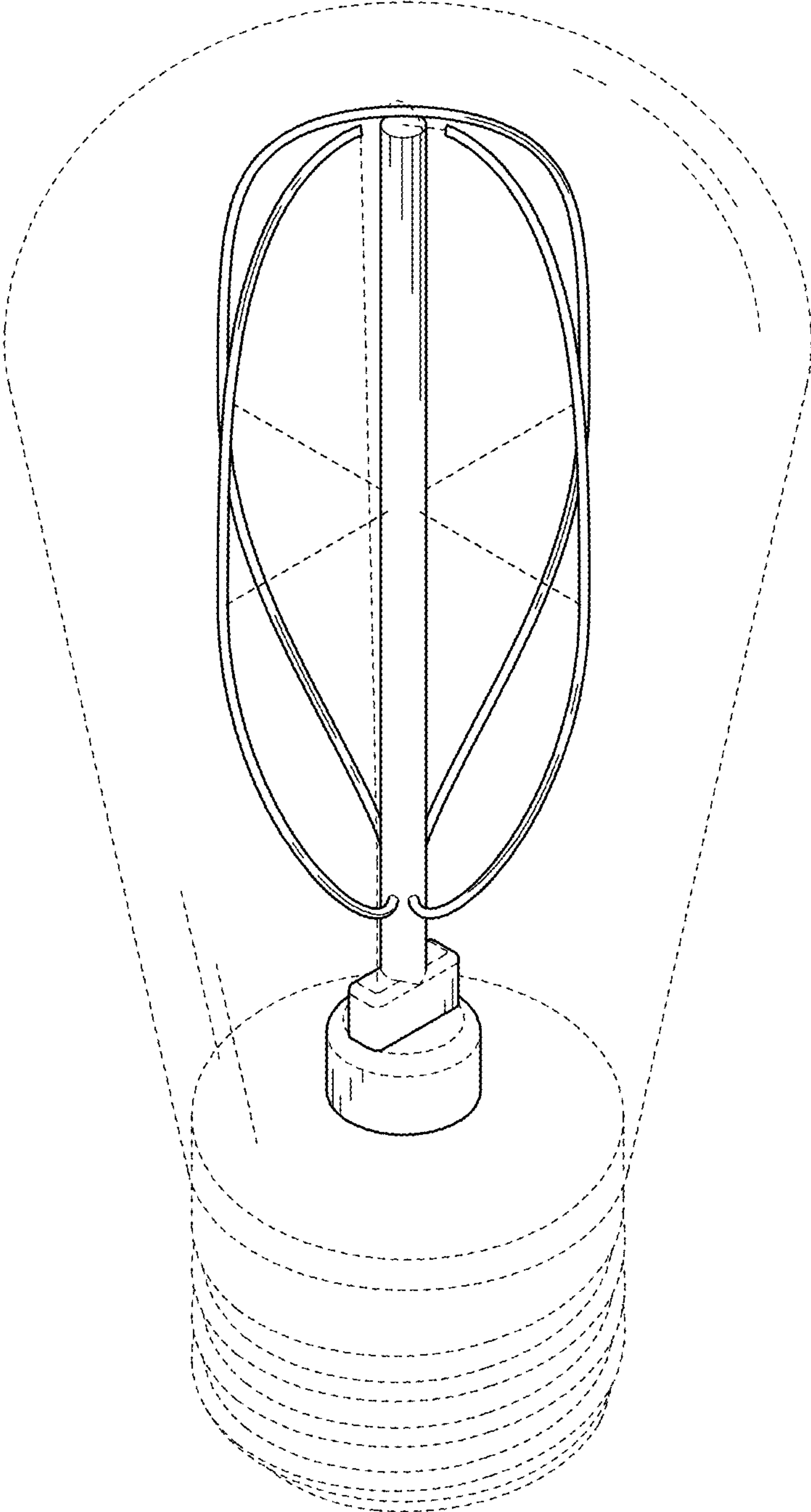


FIG.64

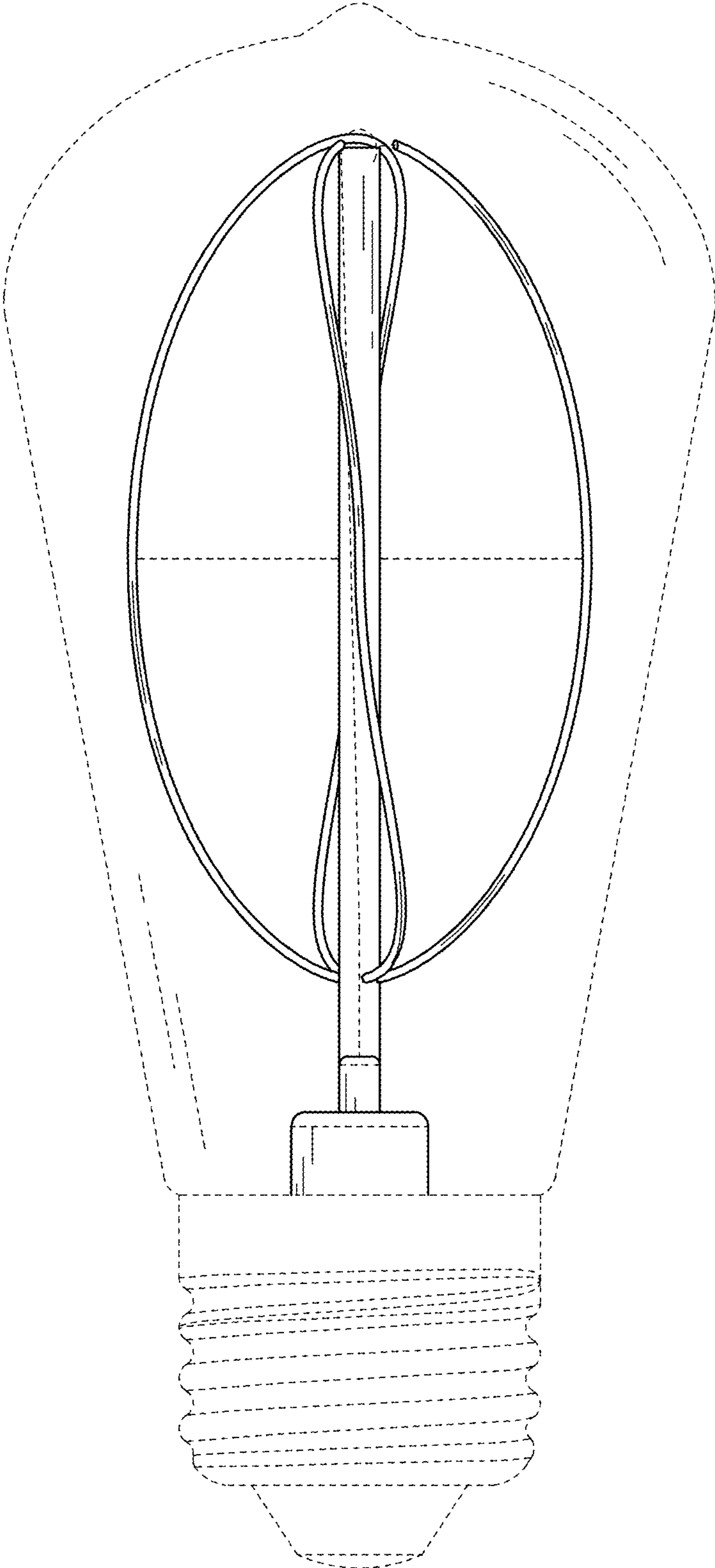


FIG. 65

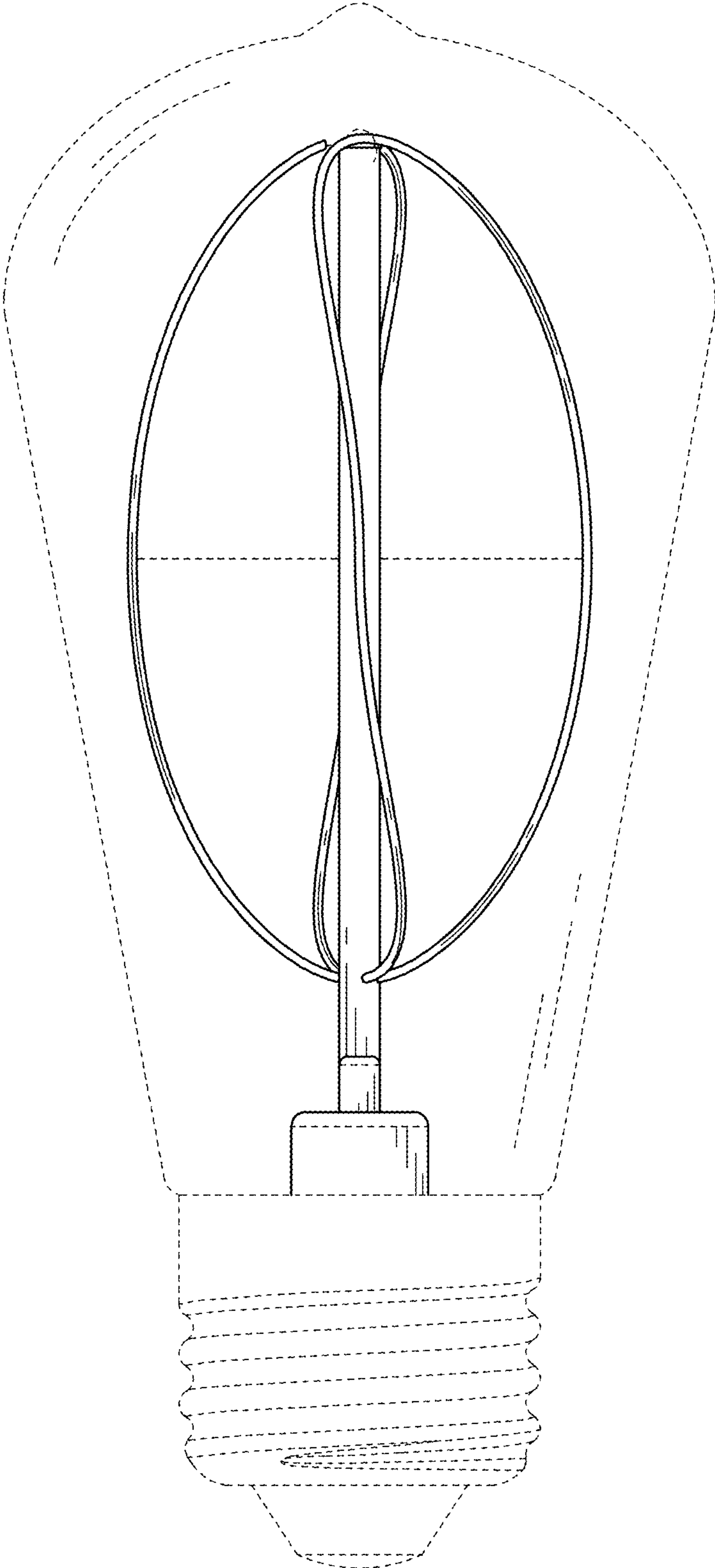


FIG.66

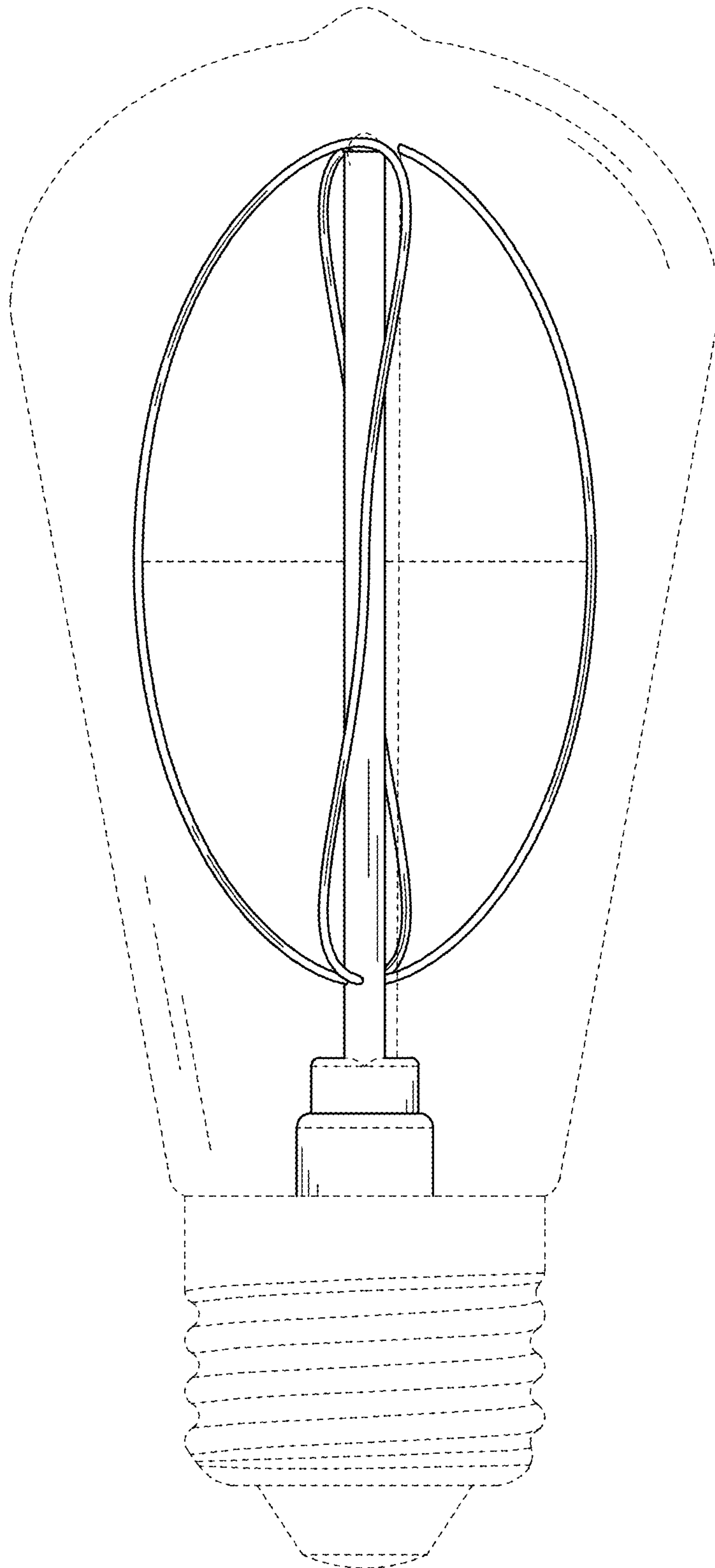


FIG. 67



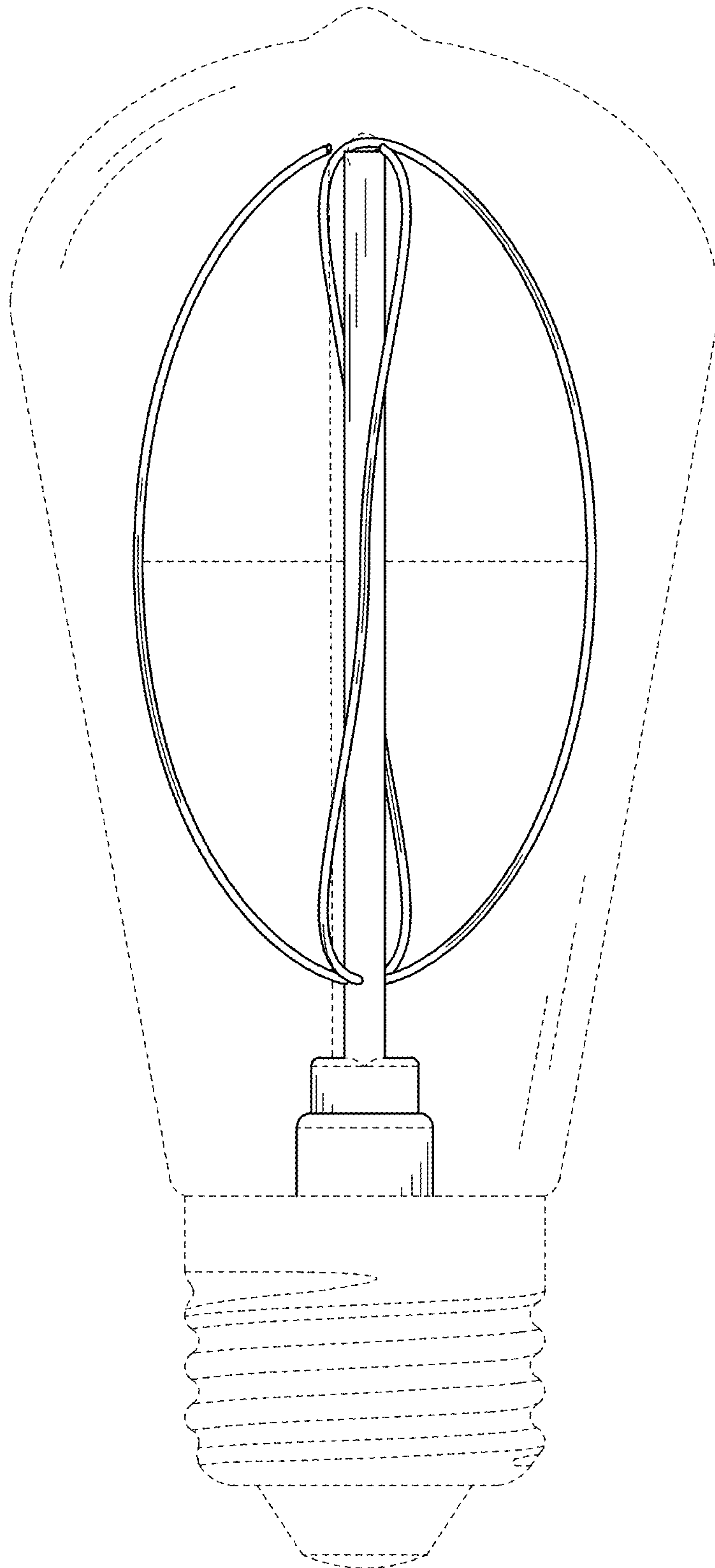


FIG.68

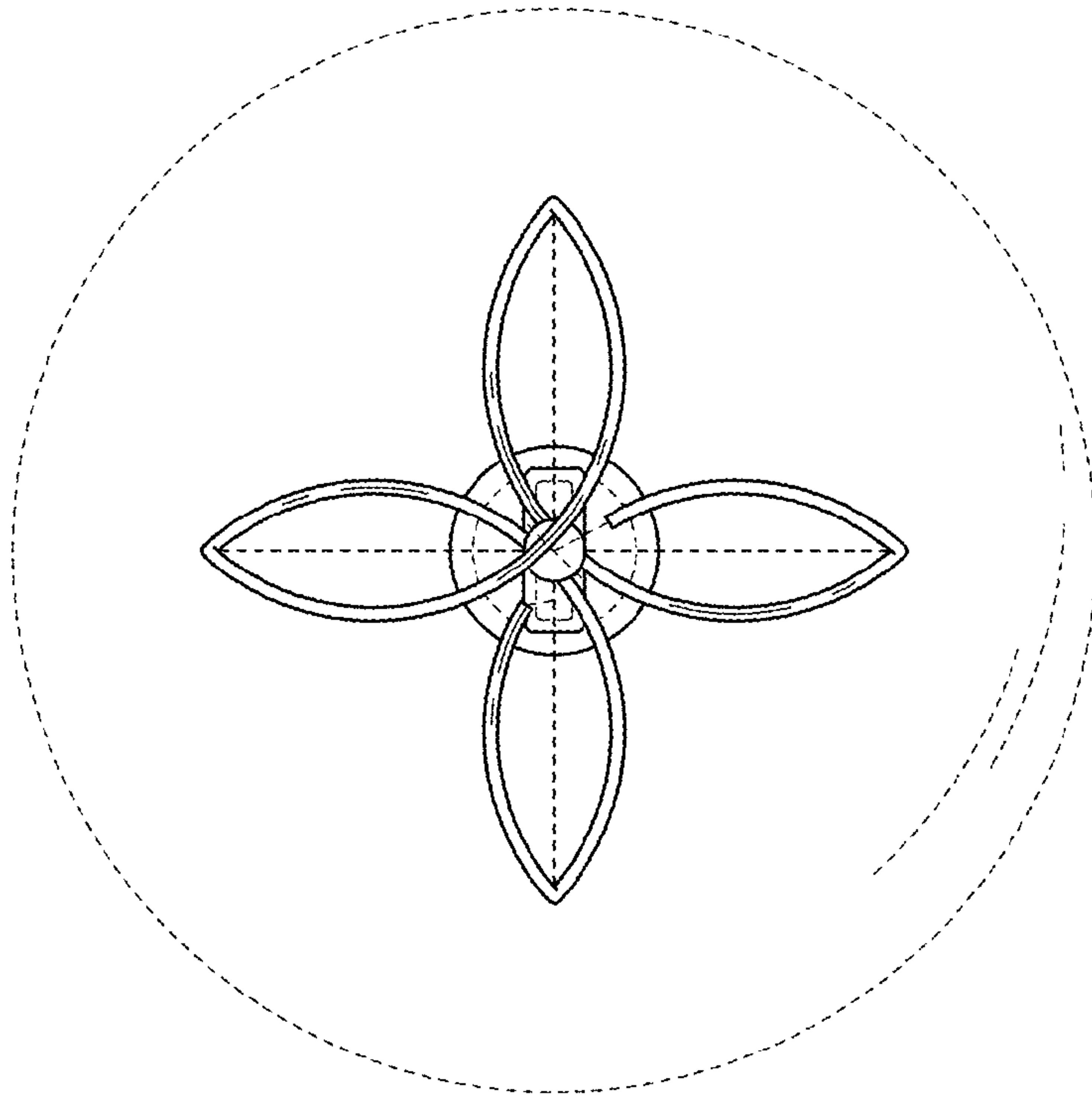


FIG. 69

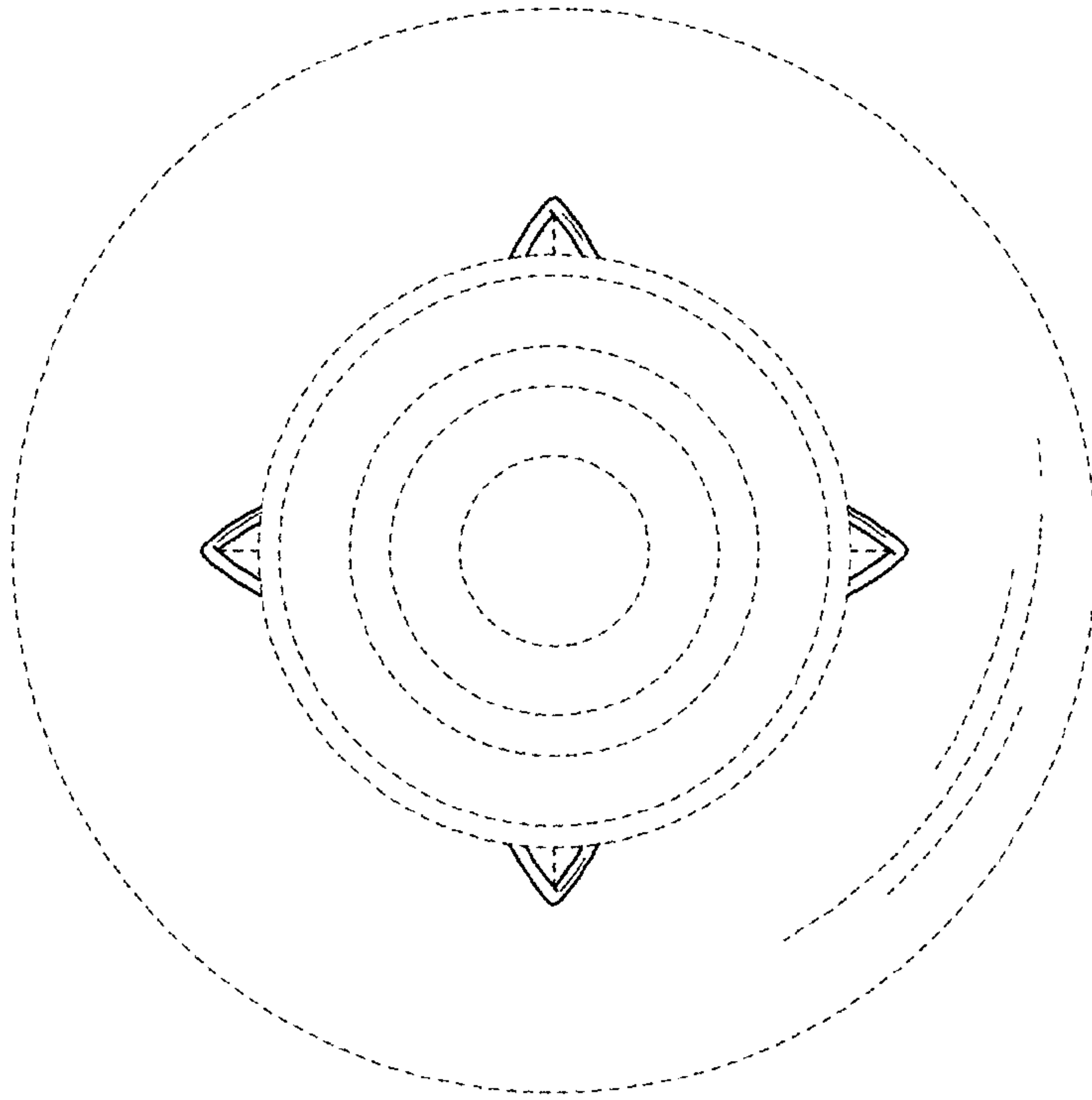


FIG. 70

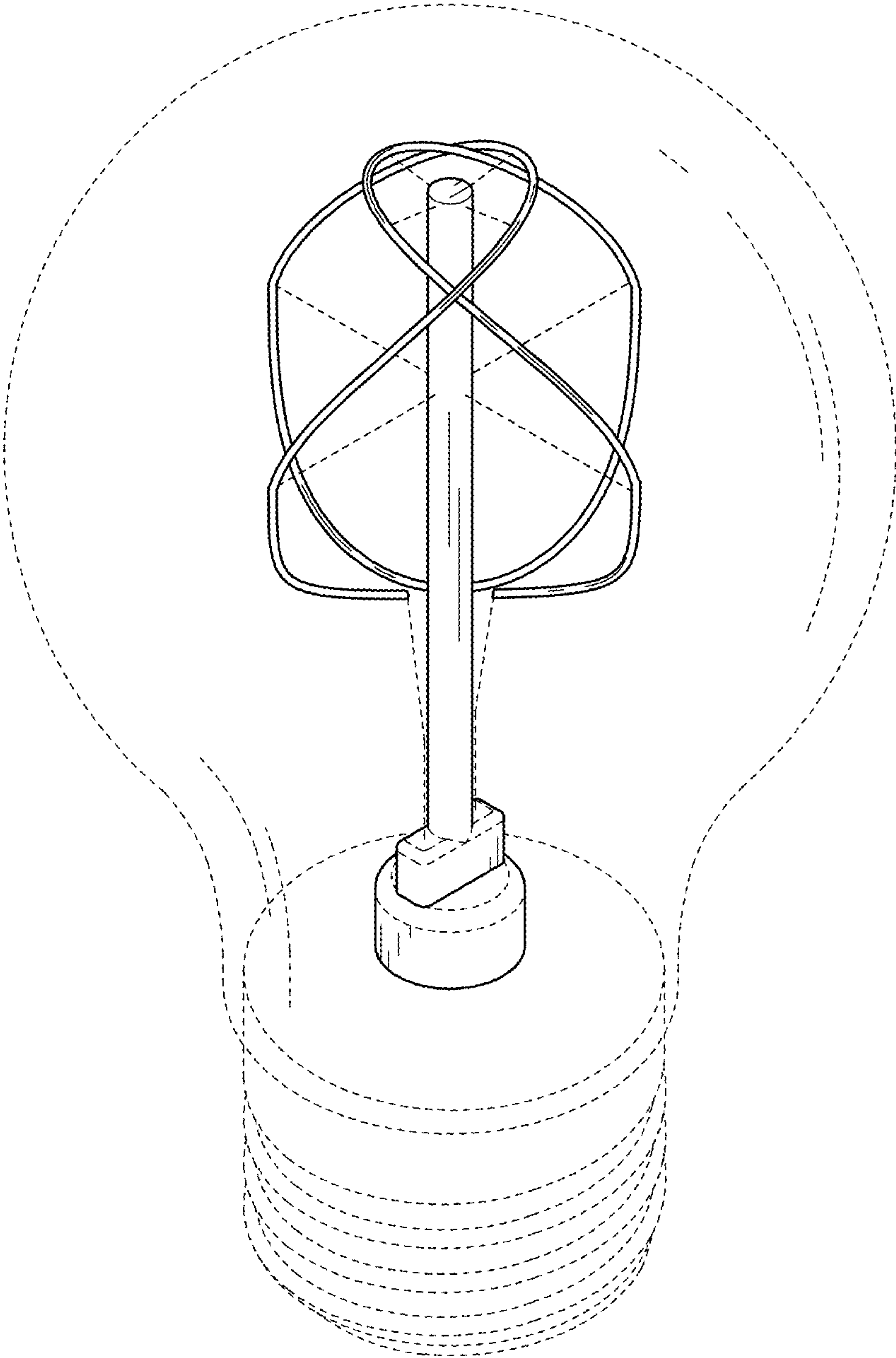


FIG. 71

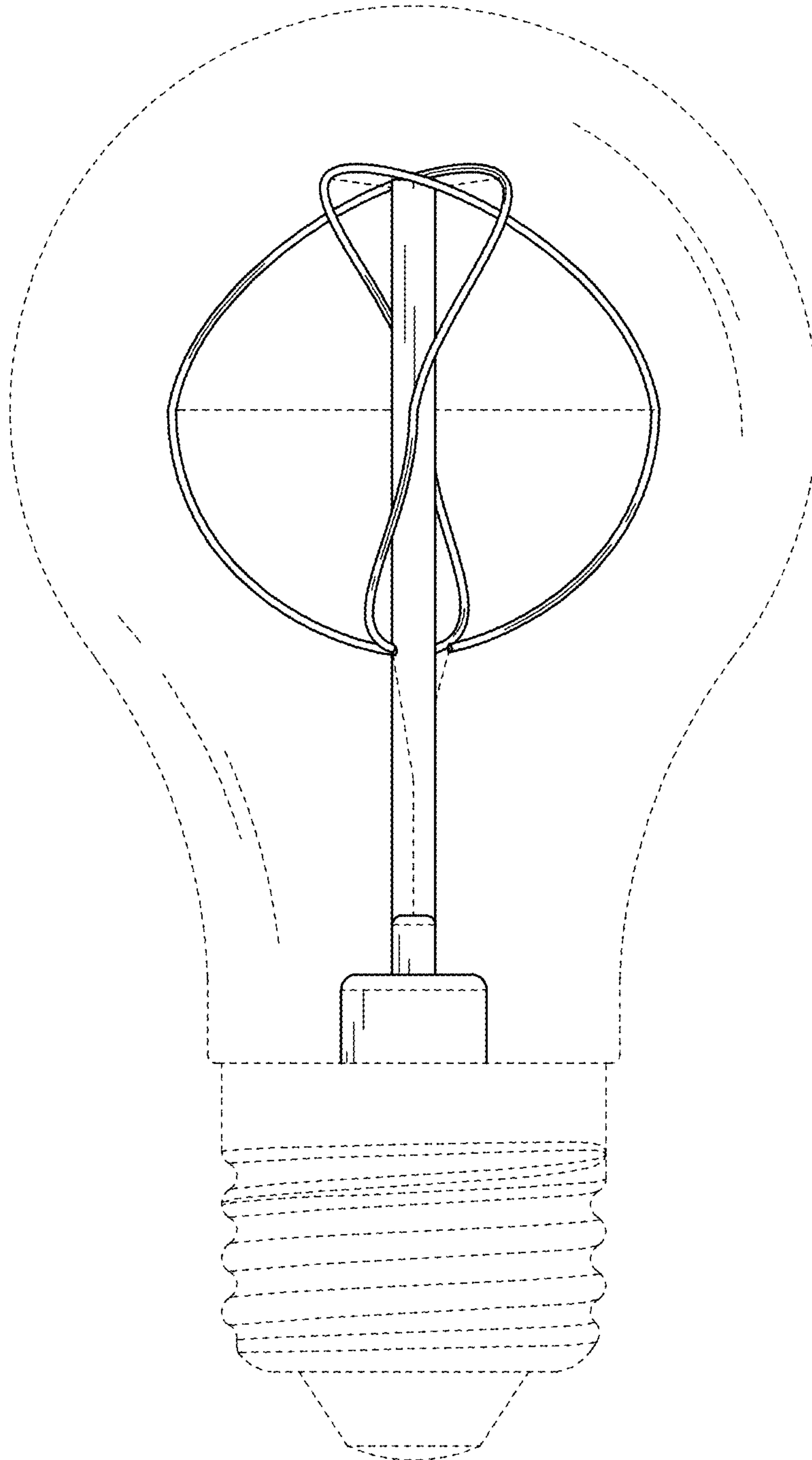


FIG. 72

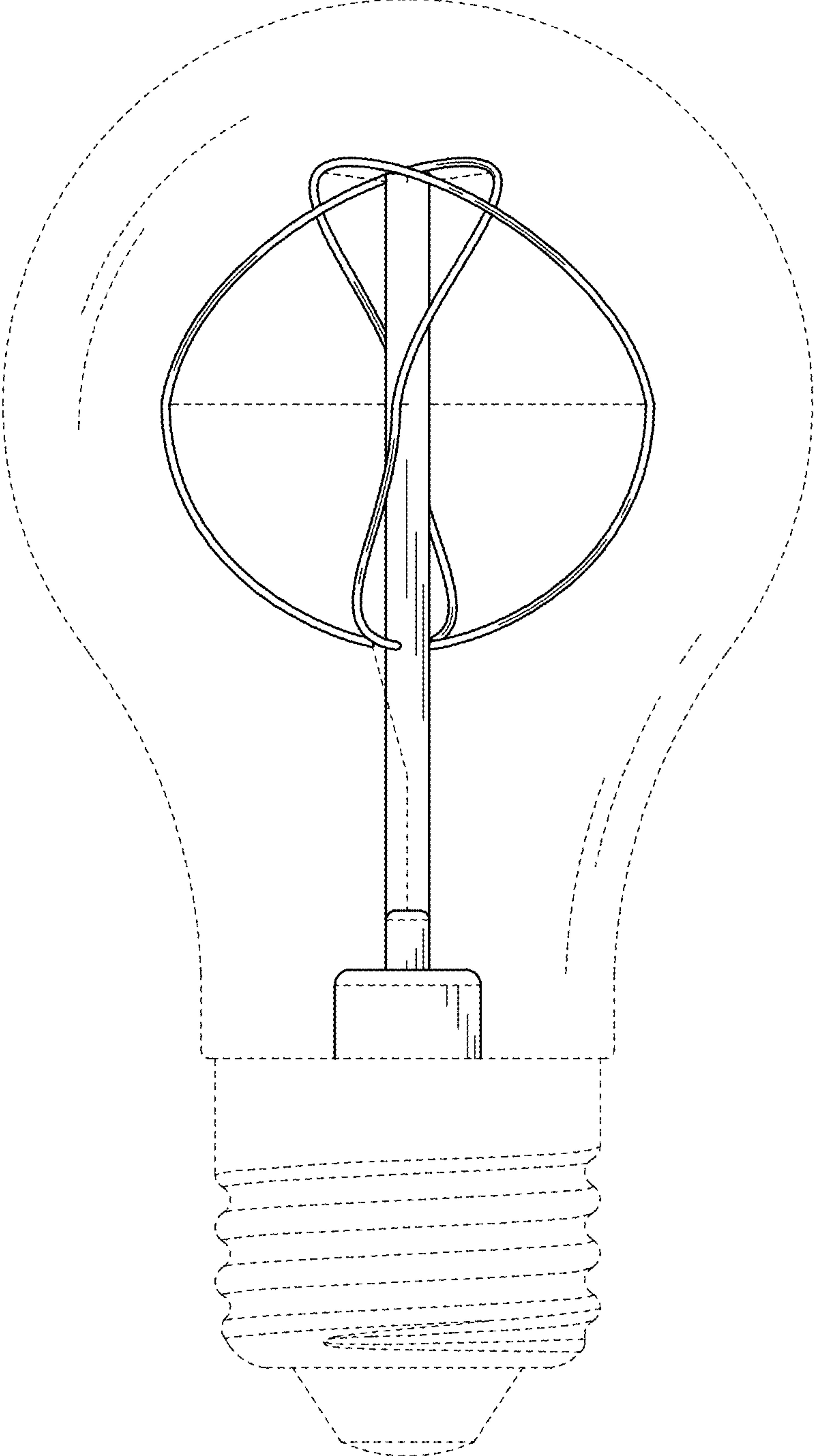


FIG. 73

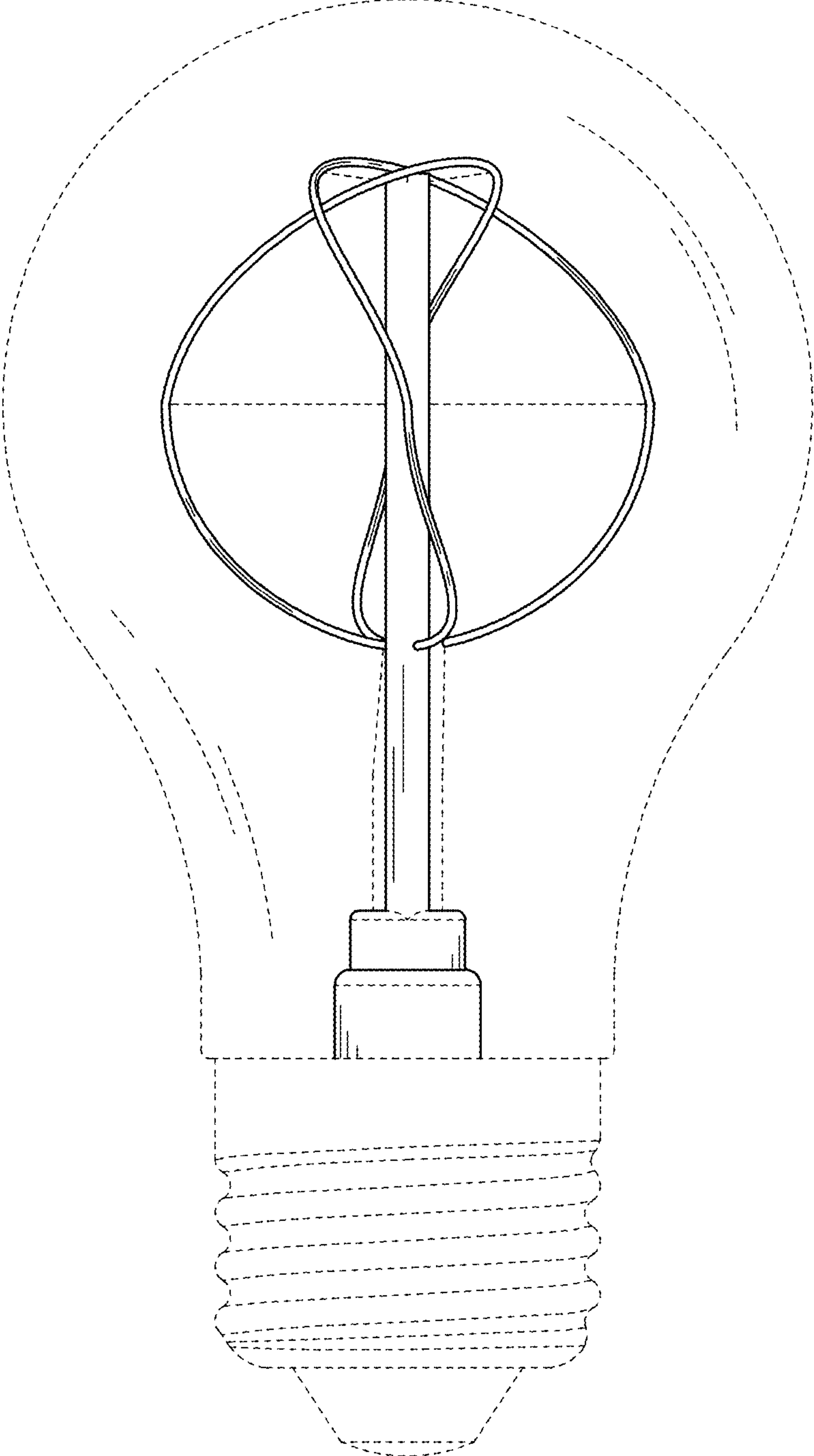


FIG. 74

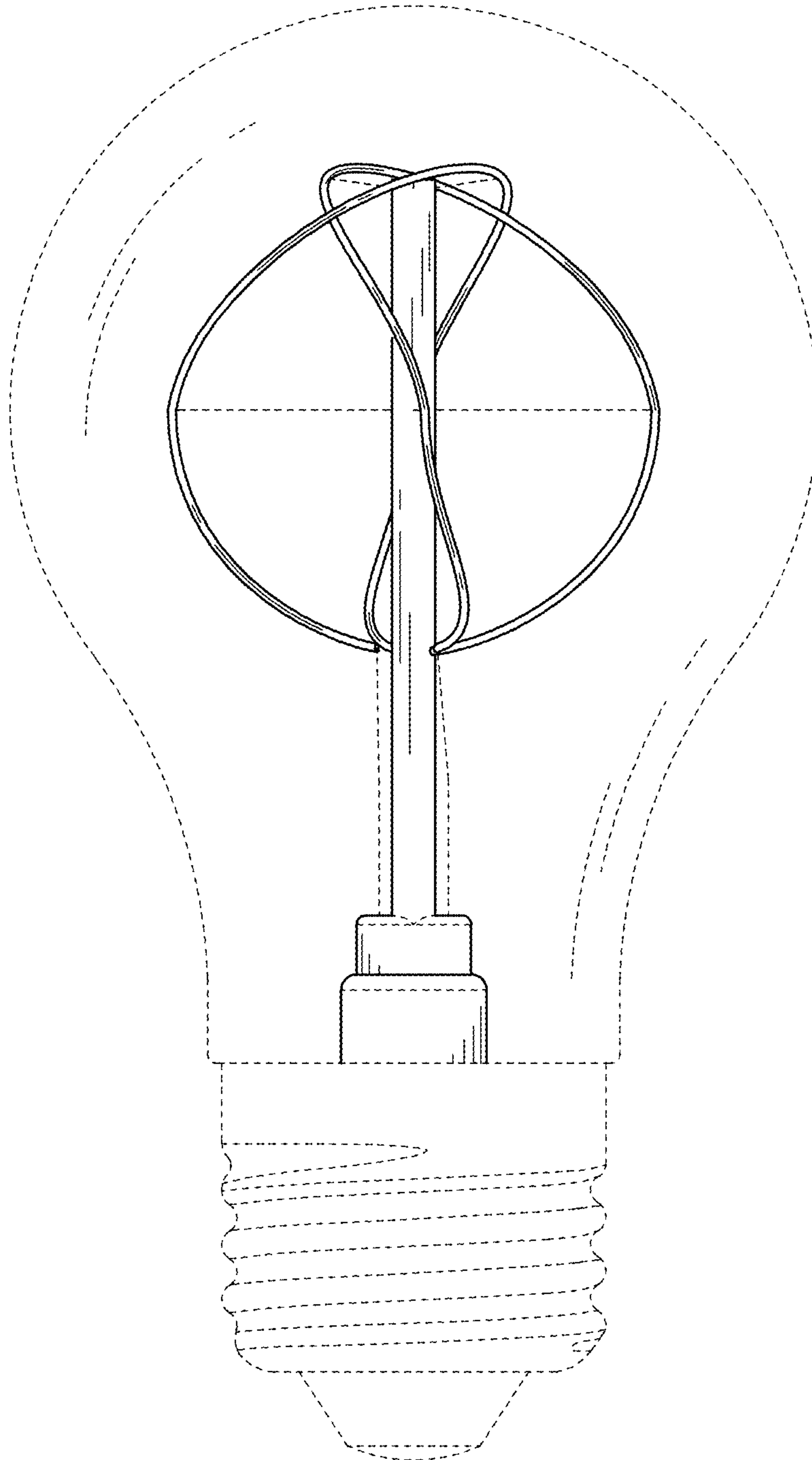


FIG. 75



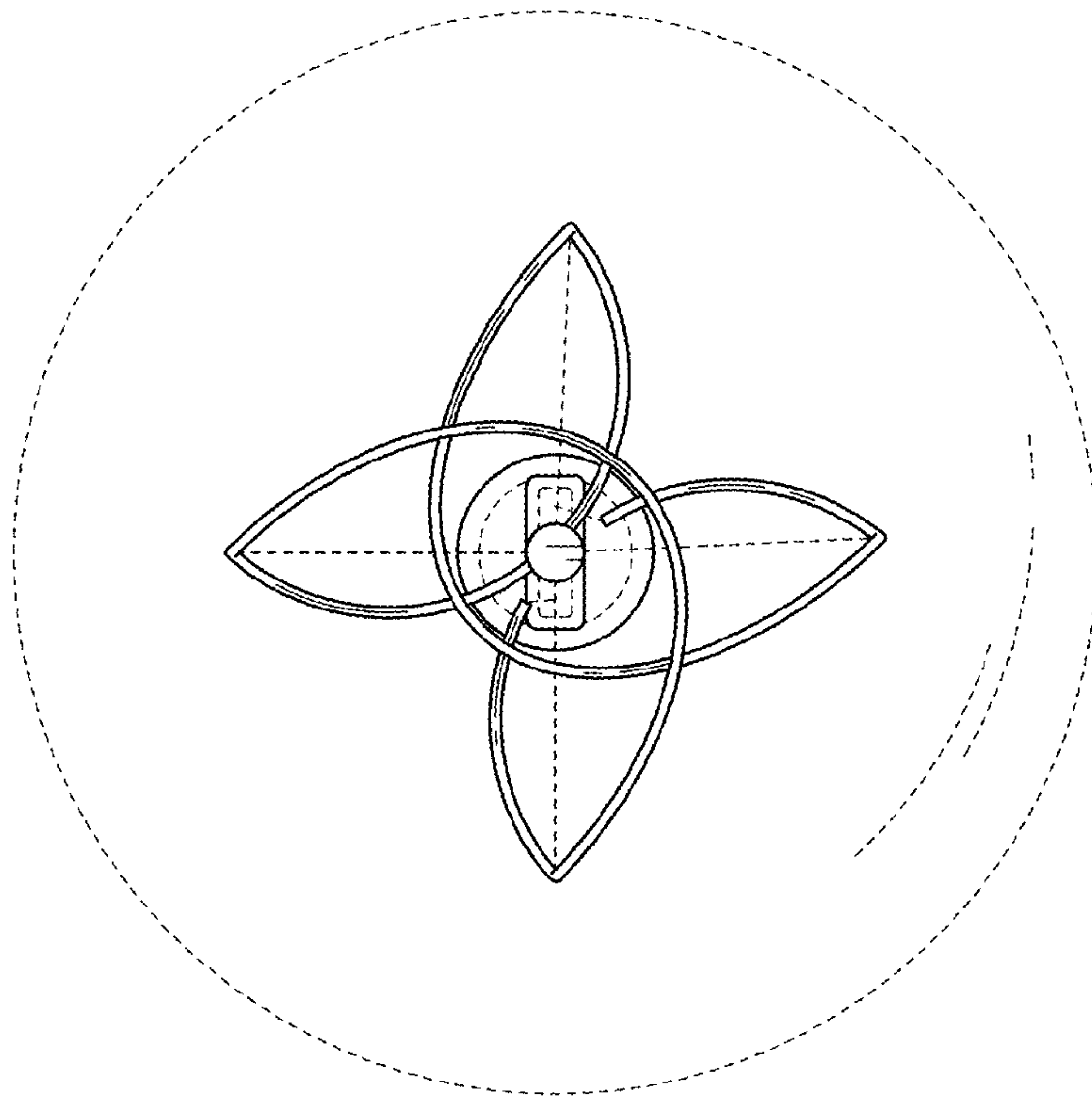


FIG. 76

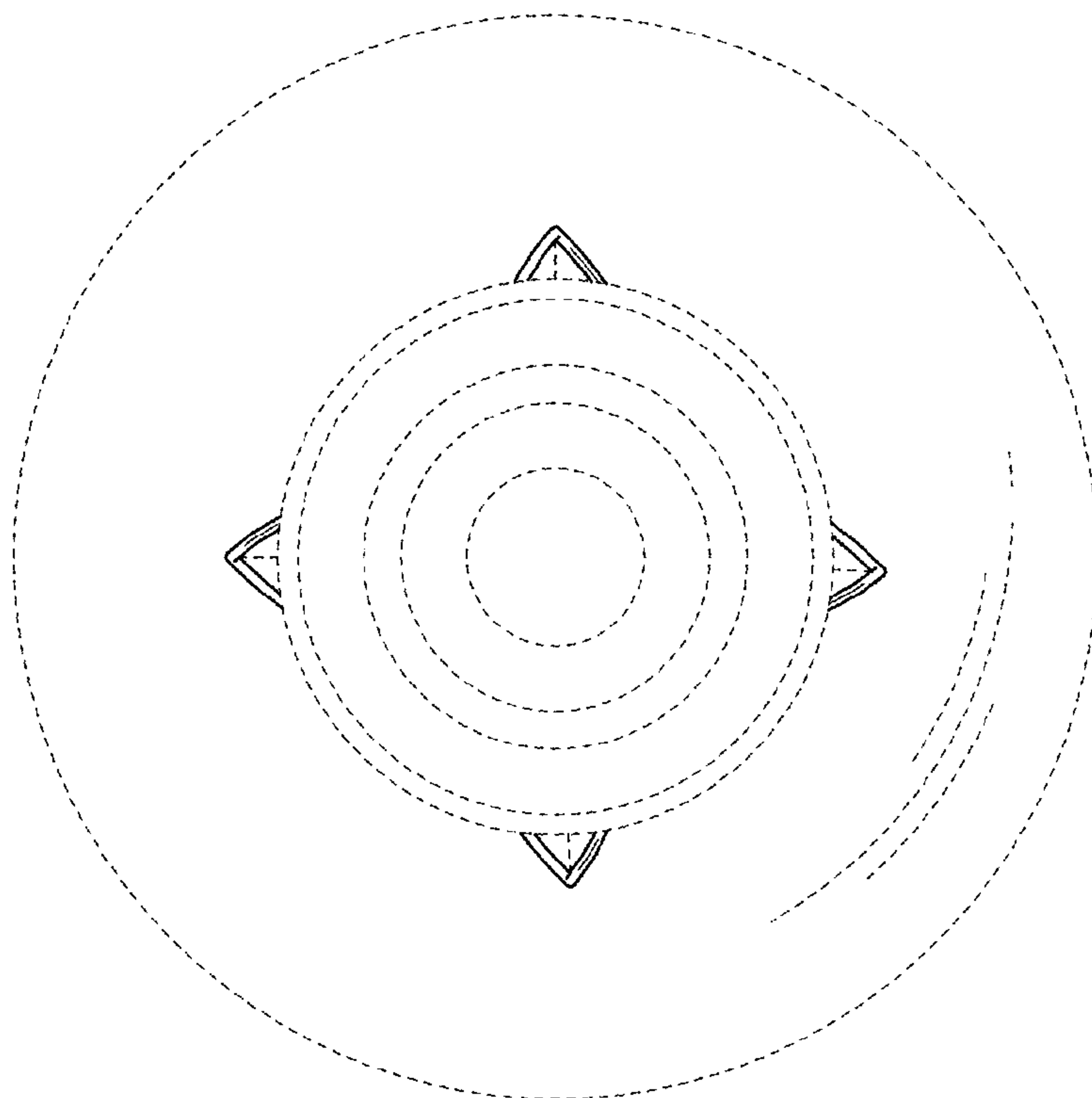


FIG. 77