



(12) **United States Design Patent**
Porter

(10) **Patent No.:** **US D880,014 S**
(45) **Date of Patent:** **** Mar. 31, 2020**

- (54) **CONCRETE BLOCK INSULATION**
- (71) Applicant: **CFI FOAM, INC.**, Knoxville, TN (US)
- (72) Inventor: **Richard Ayers Porter**, Knoxville, TN (US)
- (73) Assignee: **CFI FOAM, INC.**, Knoxville, TN (US)
- (**) Term: **15 Years**
- (21) Appl. No.: **29/643,755**
- (22) Filed: **Apr. 11, 2018**

Related U.S. Application Data

- (63) Continuation of application No. 15/728,052, filed on Oct. 9, 2017, now Pat. No. 10,151,111.
- (51) **LOC (12) Cl.** **25-99**
- (52) **U.S. Cl.**
USPC **D25/199**; D25/138
- (58) **Field of Classification Search**
USPC D25/112, 113, 138, 139, 140, 144, 149, D25/150, 151, 157, 163, 164, 199; 404/42, 44
CPC E04C 5/00; E04C 5/06; E04C 1/40; E04C 1/41; E04C 2/04; E04C 2/044; E04C 2/205; E04C 2/284; E04C 2/288; E04C 2/2885; E04C 2/296; E04C 1/00; E04B 2/84; E04B 1/7604; E04B 2/14; E04B 2002/0293; E04B 1/74; E04B 2/42
See application file for complete search history.

(56) **References Cited**

U.S. PATENT DOCUMENTS

- 3,122,302 A * 2/1964 Wood B65D 71/16 206/154
- 3,204,381 A * 9/1965 Perreton E04B 2/46 52/309.12
- 3,557,840 A 1/1971 Maybee
- 3,649,398 A * 3/1972 Keith B29C 53/063 156/79

- 3,731,449 A * 5/1973 Kephart, Jr. E04C 2/205 52/631
 - 3,885,363 A 5/1975 Whittey
 - 4,027,445 A 6/1977 Nickerson
- (Continued)

OTHER PUBLICATIONS

Korfil Block Insulation (on-line), dated Apr. 8, 2016. Retrieved from Internet Oct. 7, 2019, URL: http://web.archive.org/web/20160408232429/http://www.cbisinc.com/PDF/Korfil_ICON_Unitherm/201_Korfil_Data_Sheet09.pdf (1 page) (Year: 2016).*

Primary Examiner — Kevin K Rudzinski
Assistant Examiner — Kimberly Barnes
(74) *Attorney, Agent, or Firm* — Luedeka Neely Group, PC

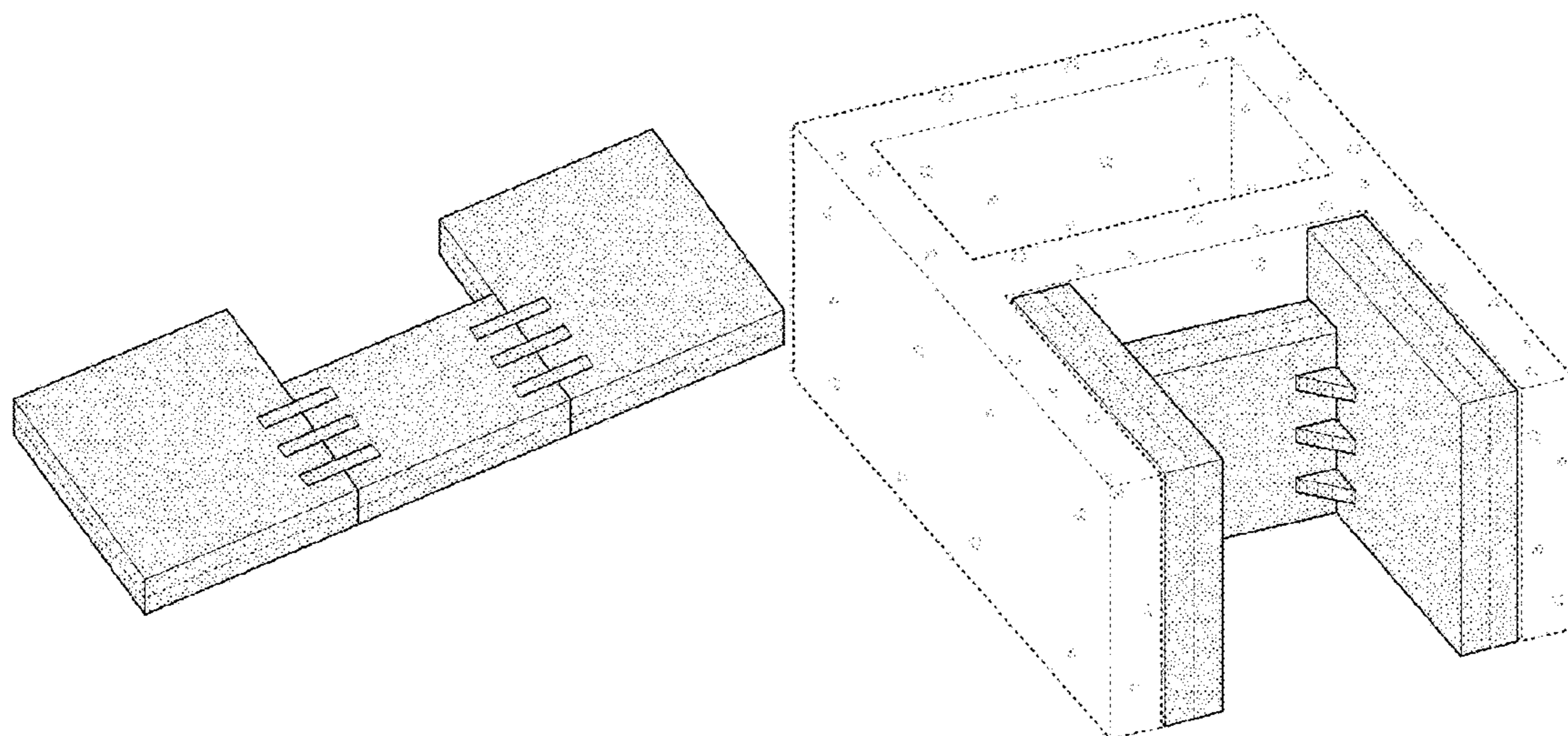
(57) **CLAIM**

The ornamental design for concrete block insulation, as shown and described.

DESCRIPTION

FIG. 1 is a front perspective view of concrete block insulation of my new design in a flat, unfolded configuration. FIG. 2 is a rear perspective view of FIG. 1; FIG. 3 is a top plan view of FIG. 1; FIG. 4 is a bottom plan view of FIG. 1; FIG. 5 is a right-side view of FIG. 1. FIG. 6 is a rear view of FIG. 1. FIG. 7 is a left-side view of FIG. 1. FIG. 8 is a front view of FIG. 1; and, FIG. 9 is a perspective of the concrete block insulation of FIG. 1 in an erected, folded configuration for installation into a concrete block. The broken lines depict portions of the concrete block insulation that form no part of the claimed design. The broken lines in FIG. 9 depicting a concrete block represents environmental subject matter that forms no part of the claimed design.

1 Claim, 4 Drawing Sheets



(56)

References Cited

U.S. PATENT DOCUMENTS

4,058,948	A *	11/1977	Warren	E04C 1/41 52/405.1
4,073,111	A	2/1978	Warren	
4,193,241	A	3/1980	Jensen et al.	
4,380,887	A	4/1983	Lee	
4,462,195	A	7/1984	Nickerson	
4,498,266	A *	2/1985	Perreton	E04C 1/41 52/405.4
4,543,229	A *	9/1985	Nickerson	E04C 1/41 264/321
4,631,885	A	12/1986	Iannarelli	
5,062,244	A	11/1991	Ducharme	
5,349,798	A	9/1994	Gross	
5,652,039	A	7/1997	Tremain et al.	
6,453,973	B1 *	9/2002	Russo	A47B 47/0075 160/135
7,386,956	B2	6/2008	Argila	
7,526,900	B2	5/2009	Ehrman et al.	
7,887,249	B2 *	2/2011	Schmitz	B64C 9/02 403/364
8,590,243	B2	11/2013	Jorgensen et al.	
D814,068	S *	3/2018	Nowacek	D25/140
D814,069	S *	3/2018	Nowacek	D25/140
10,151,111	B1 *	12/2018	Porter	E04C 1/41
10,253,512	B2 *	4/2019	McAuley	E04G 9/083
2004/0182037	A1	9/2004	Sourlis	
2005/0108955	A1	5/2005	Howe et al.	
2009/0032171	A1	2/2009	Callear et al.	
2011/0302863	A1	12/2011	Sourlis	

* cited by examiner

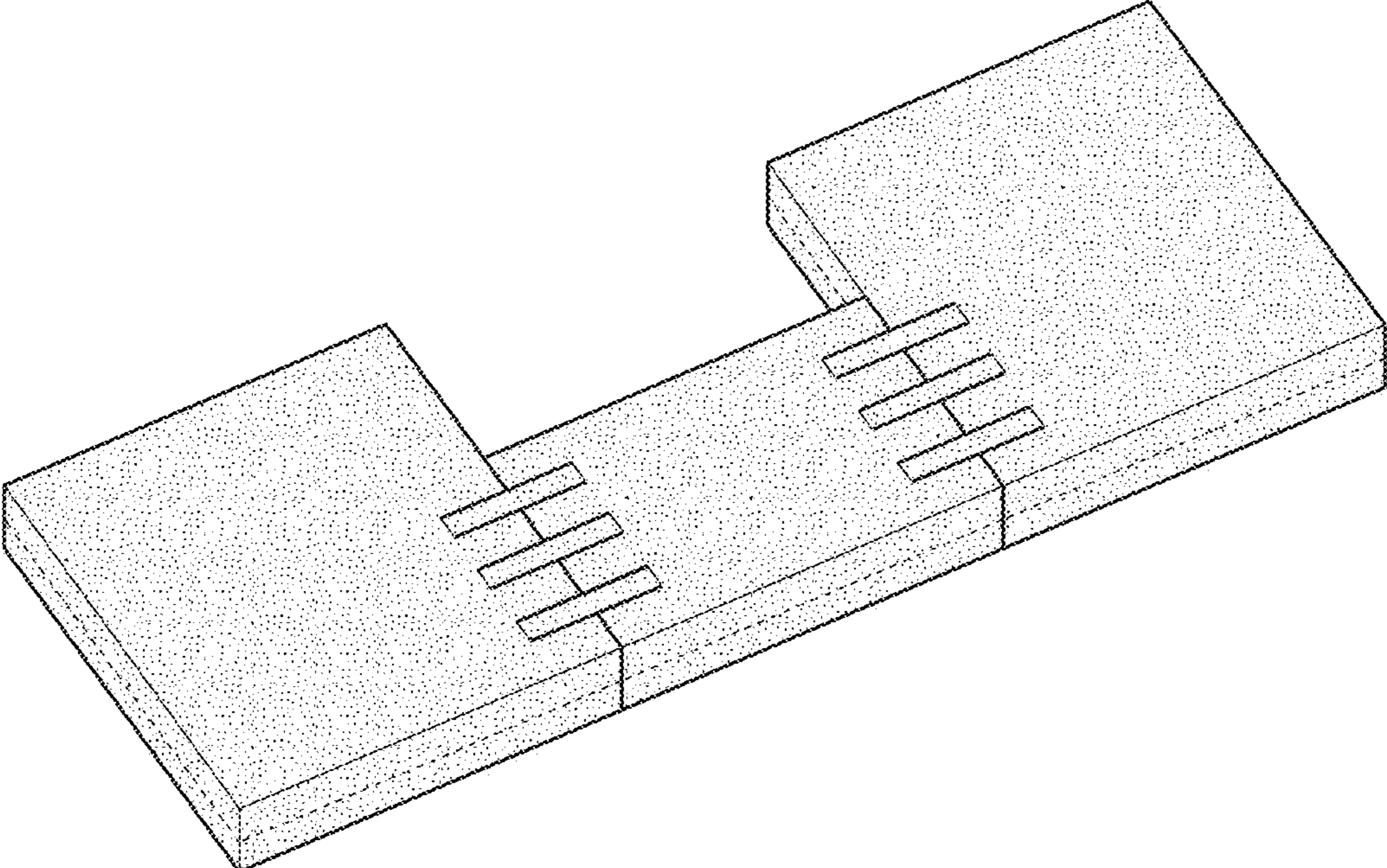


FIG. 1

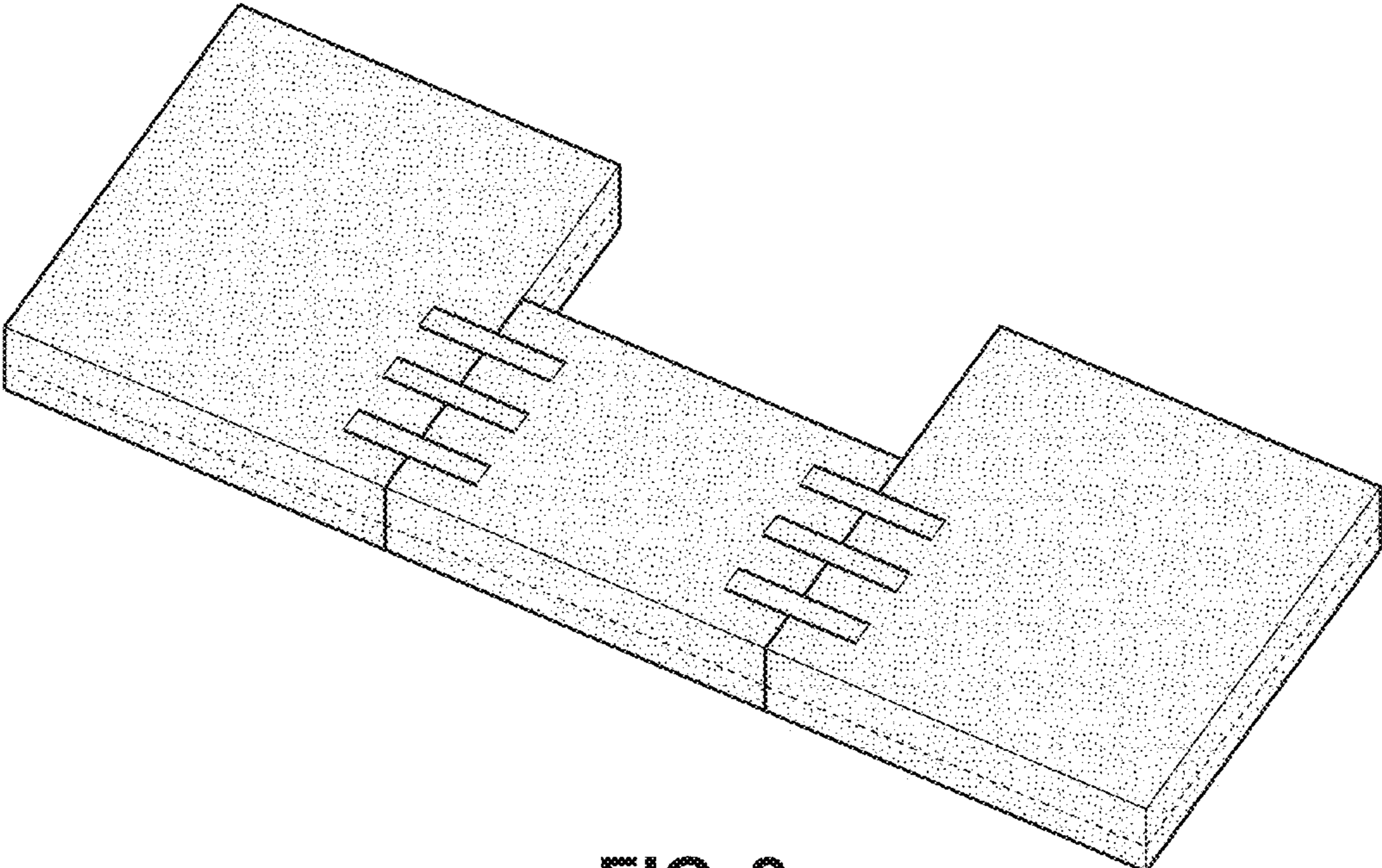


FIG. 2

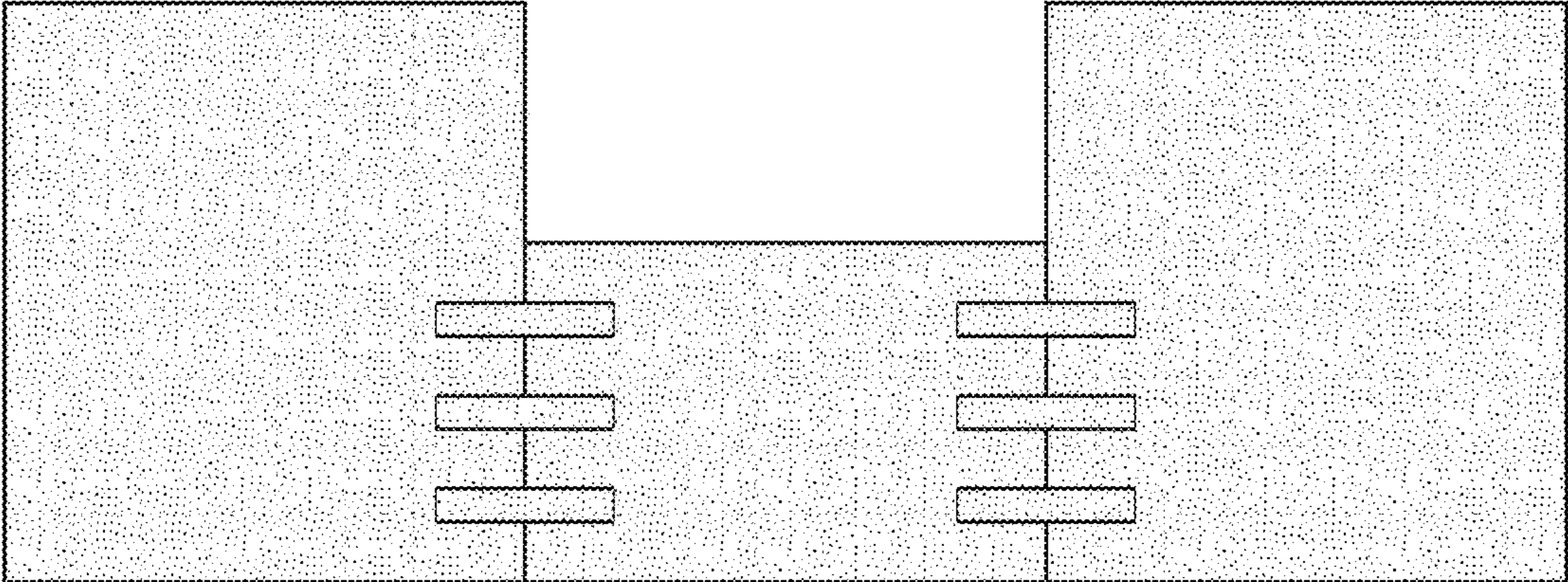


FIG. 3

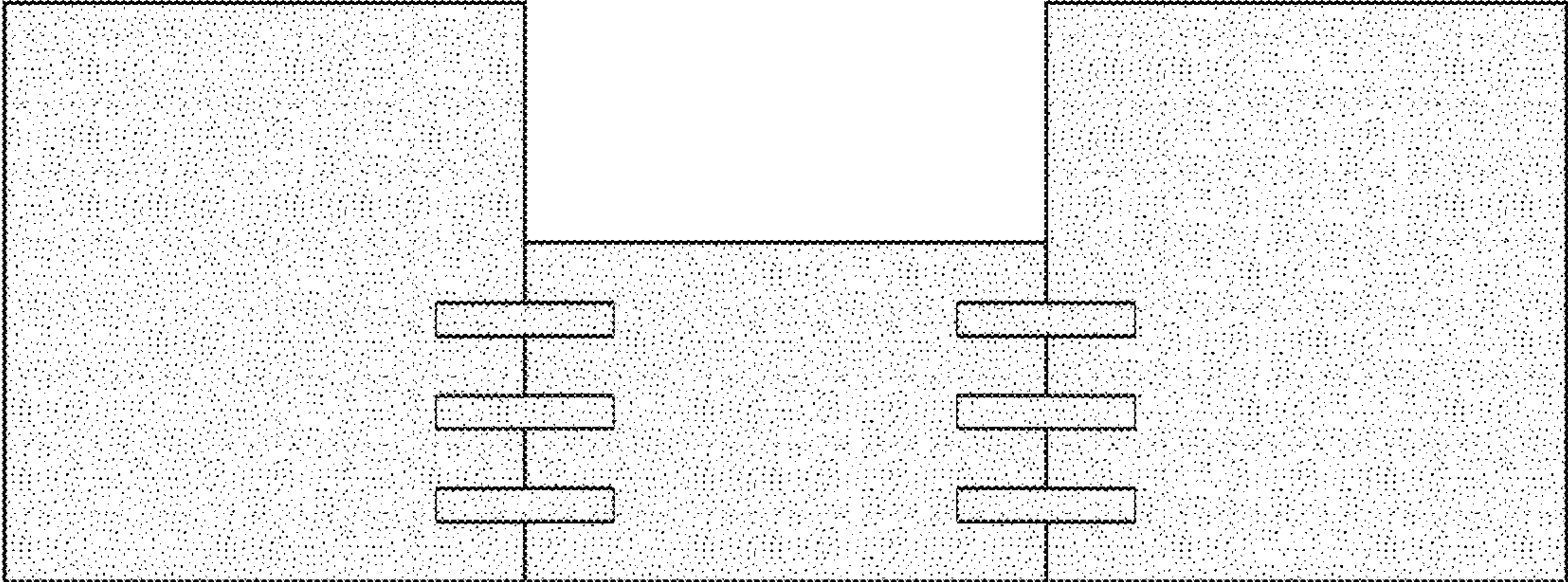


FIG. 4

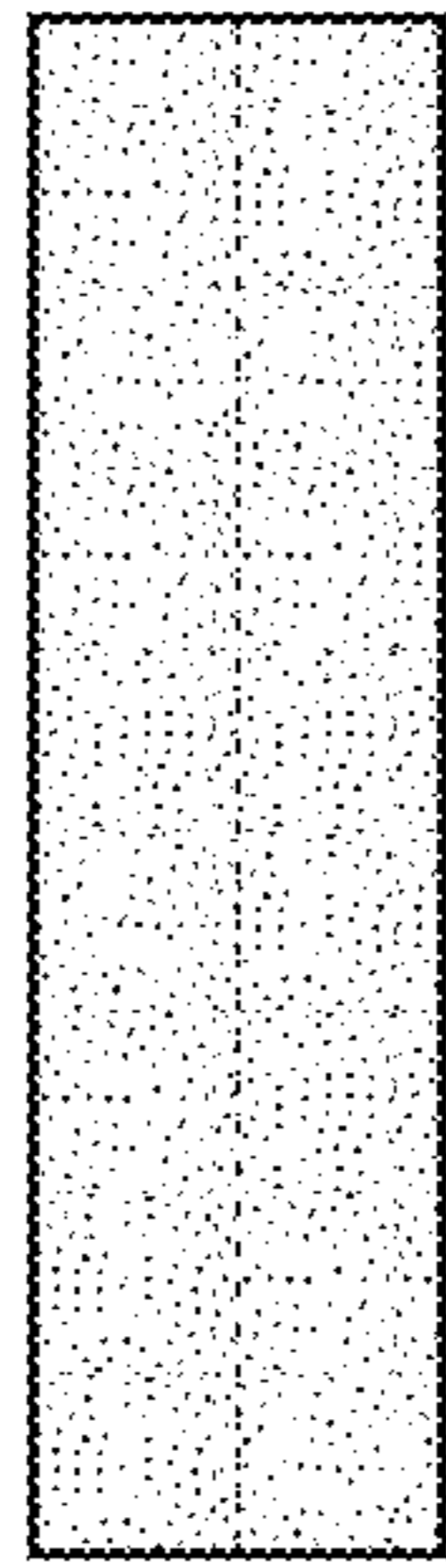


FIG. 5

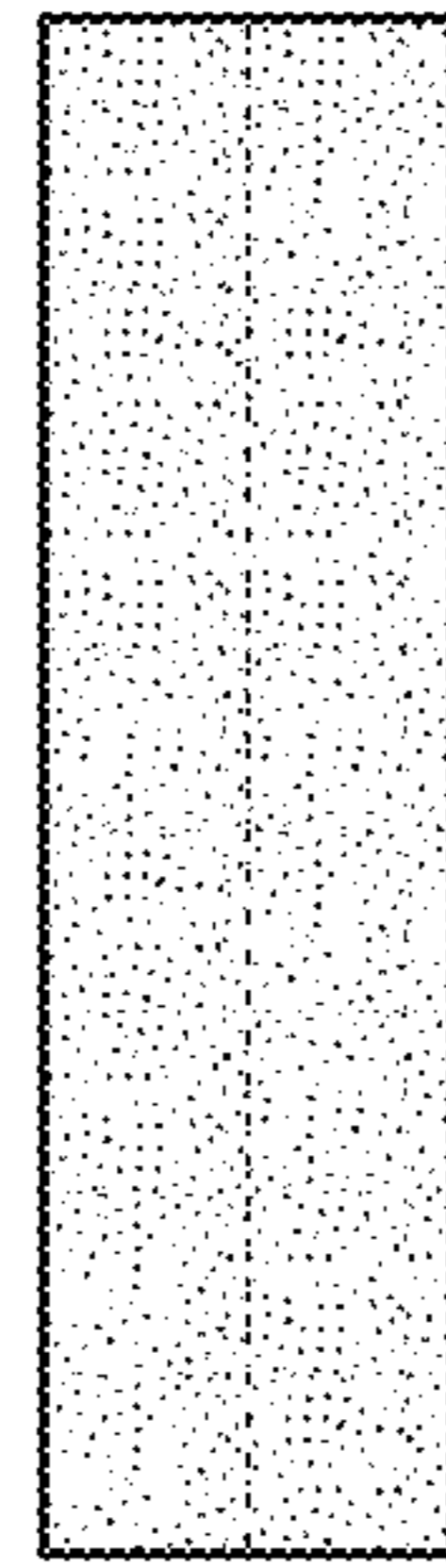


FIG. 7

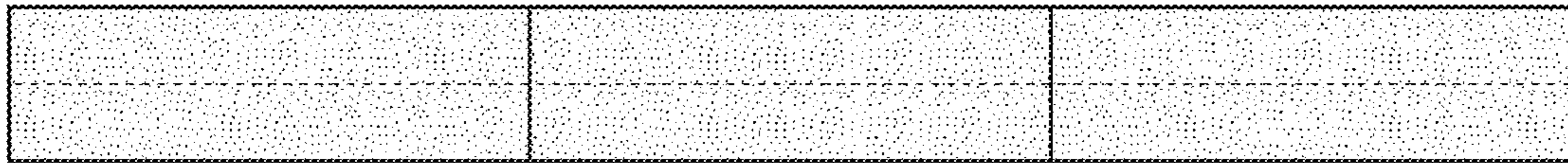


FIG. 6

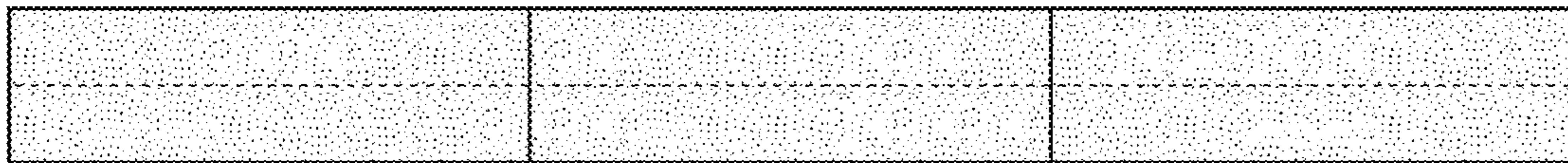


FIG. 8

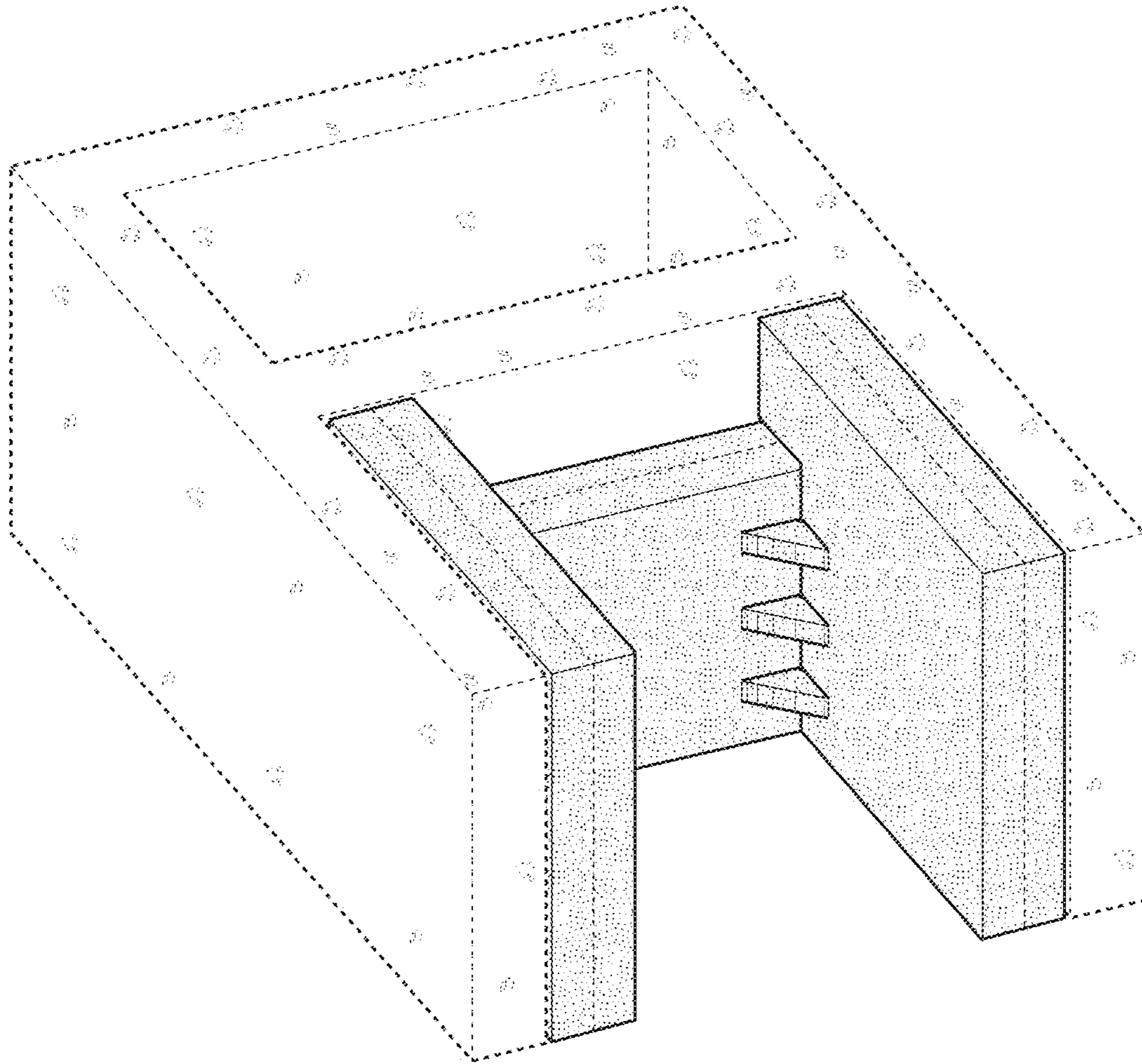


FIG. 9